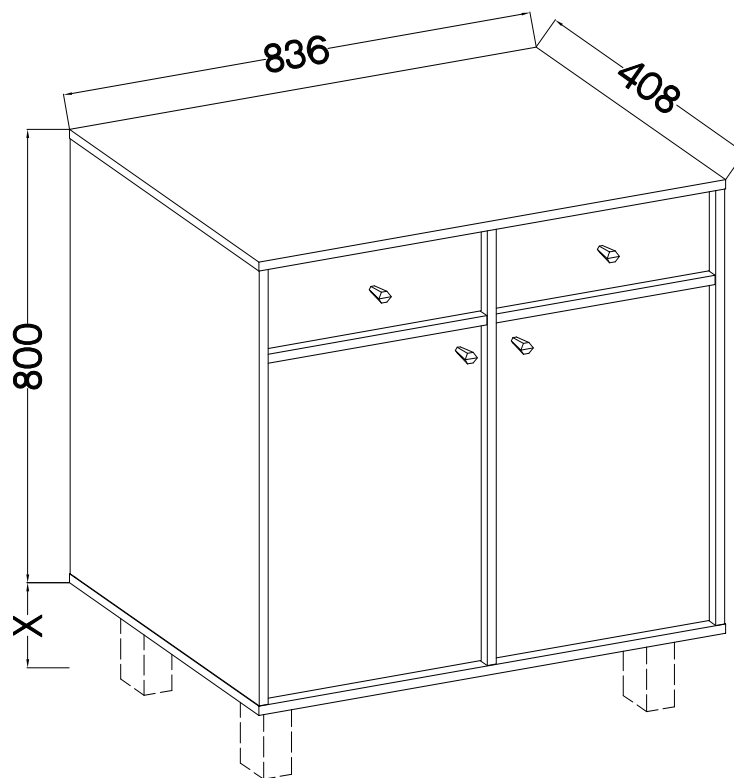
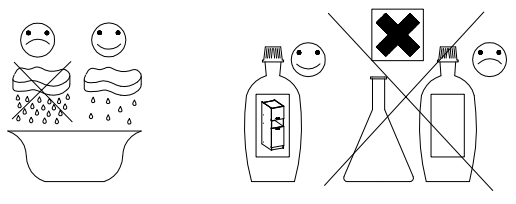
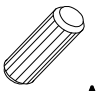




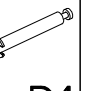


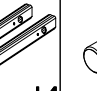
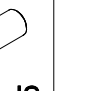
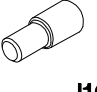
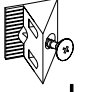
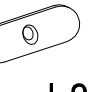



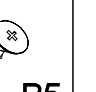
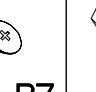
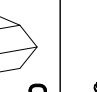


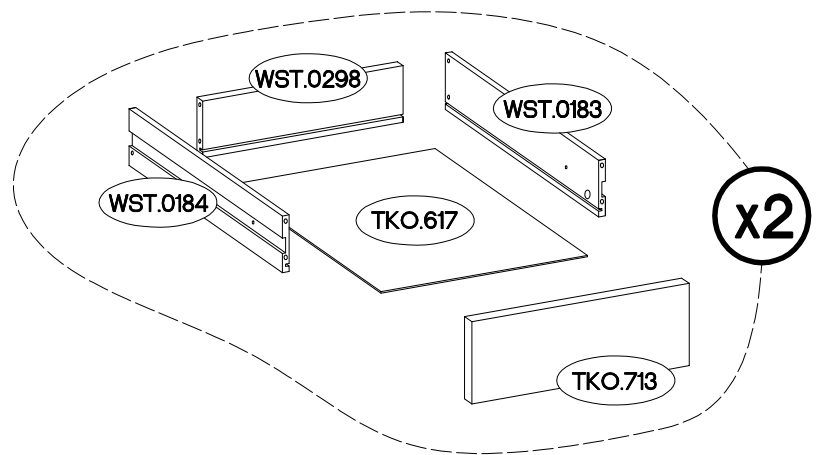
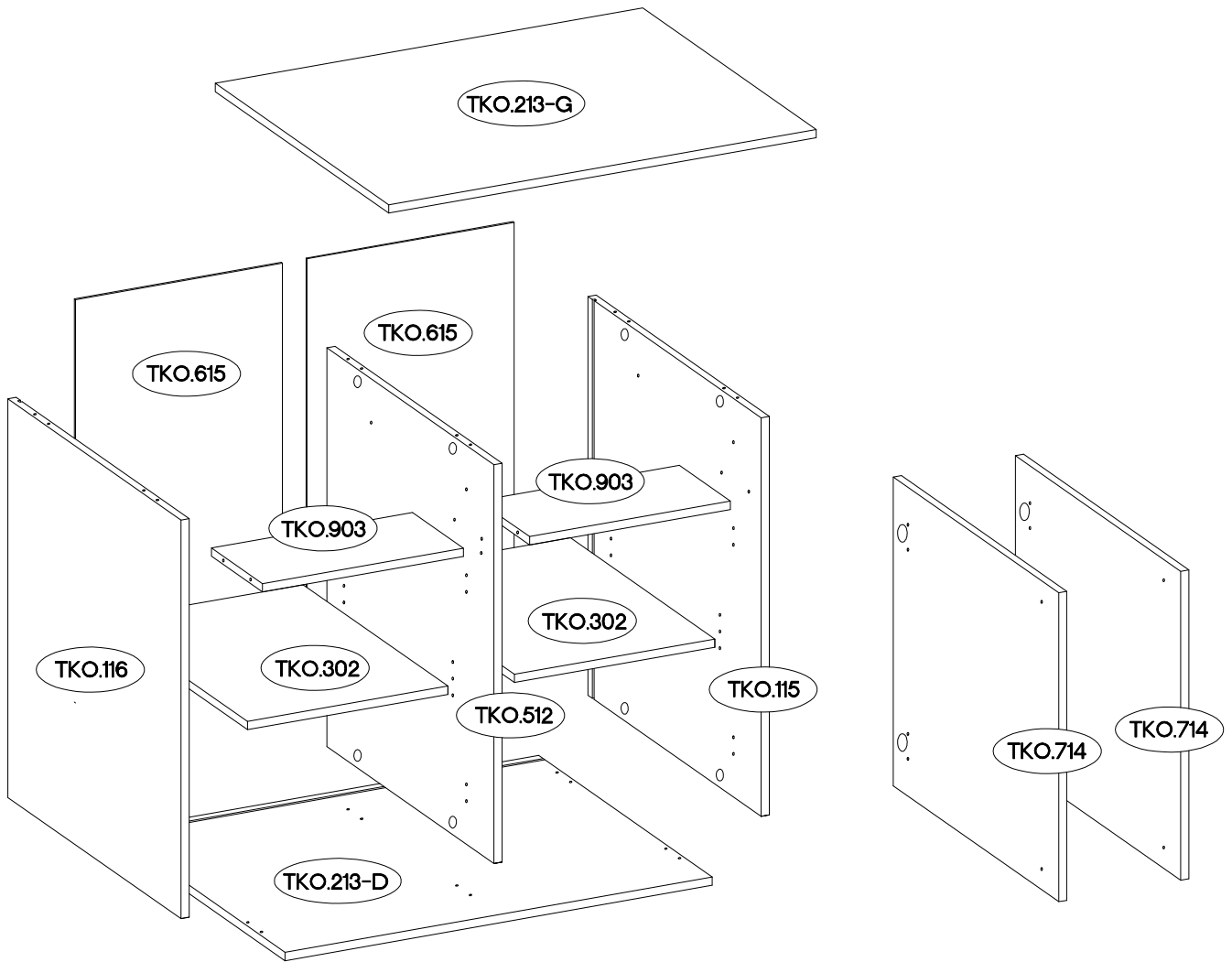


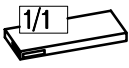
TYP 826



 A 24	 B2 4	 C 16	 C5 4	 D2 18	 D4 1	 E11 10	 HG2 4	 I4 2	 J3 8		
 J12 2	 L 18	 L2 7	 L9 1	 M2 8	 O7 1	 P5 9	 P7 7	 S 4	 U 4	 U1 4	


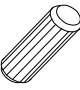
ISM-TKO-014

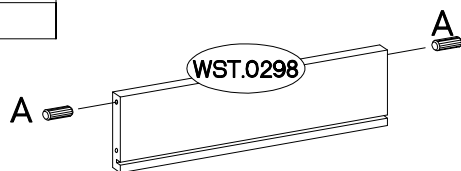


	Ersatzteil Nummer	Dimension
	TKO.115	768x407x16
	TKO.116	768x407x16
	TKO.512	768x393x16
	TKO.213 x2	836x408x16
	TKO.903 x2	393x120x16
	TKO.302 x2	392x340x16
	TKO.615 x2	777x405x2,5
	TKO.617 x2	370x327x2,5
	WST.0183 x2	330x100x12
	WST.0184 x2	330x100x12
	WST.0298 x2	359x100x12
	TKO.713 x2	389x145x16
	TKO.714 x2	595x389x16

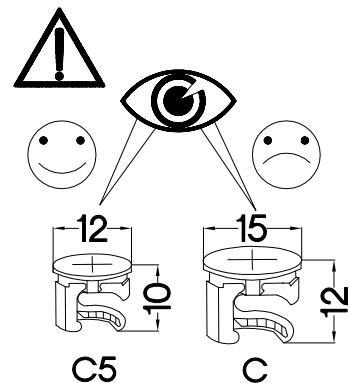
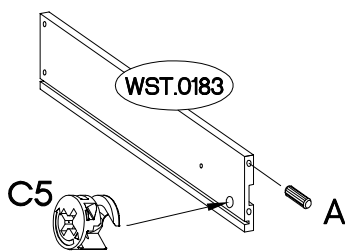
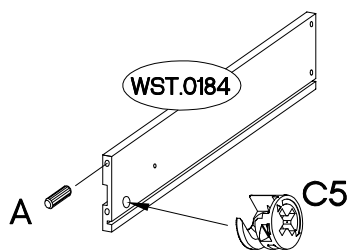
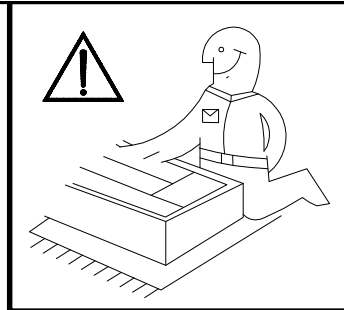


1

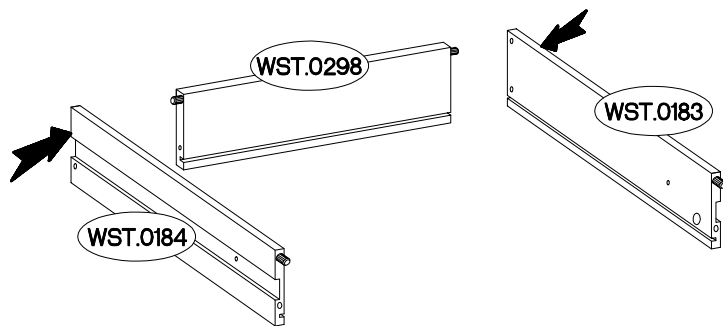
#12/10mm  C5 4	#8x30mm  A 8
---	---




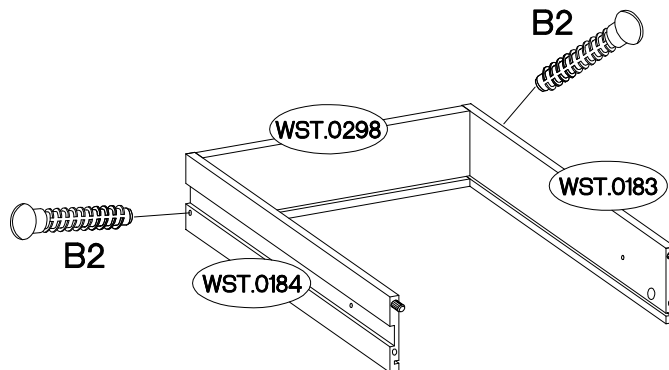
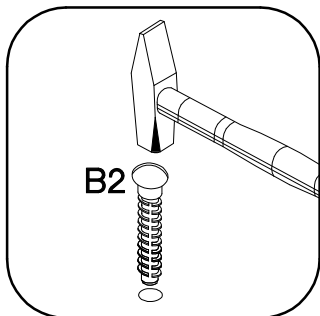
x2



2




#6x42mm  B2 4

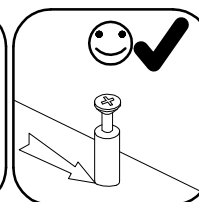
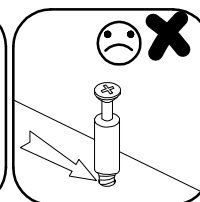
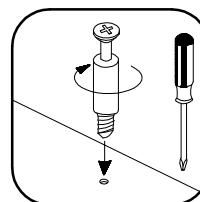
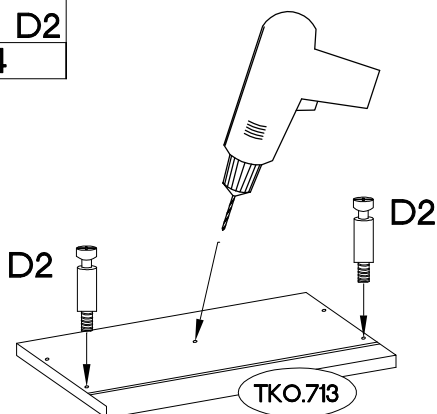
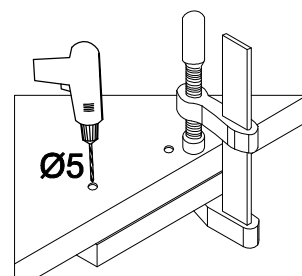
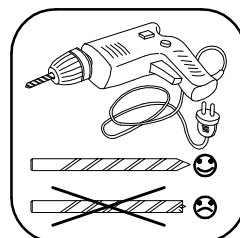


x2

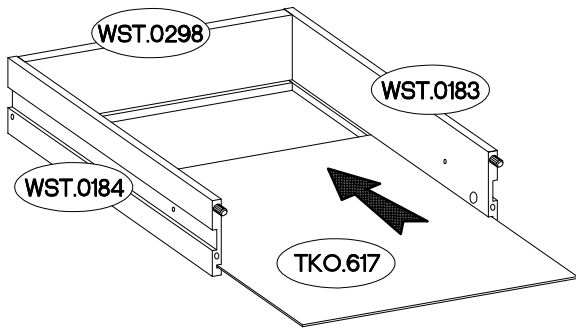
3

L=20mm  D2 4
--

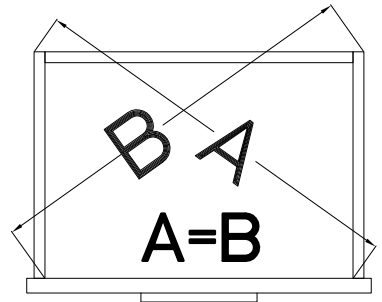
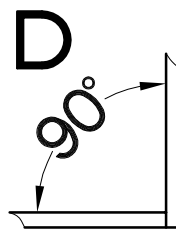
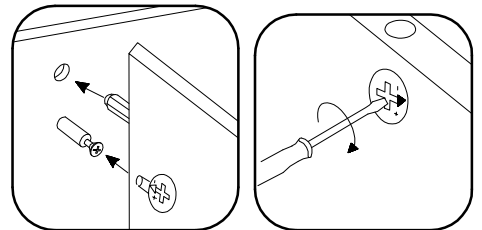
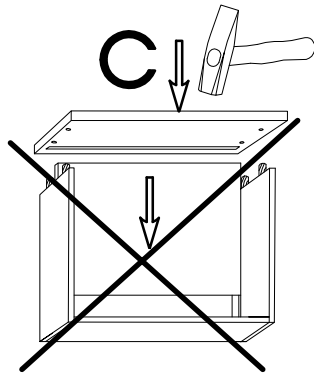
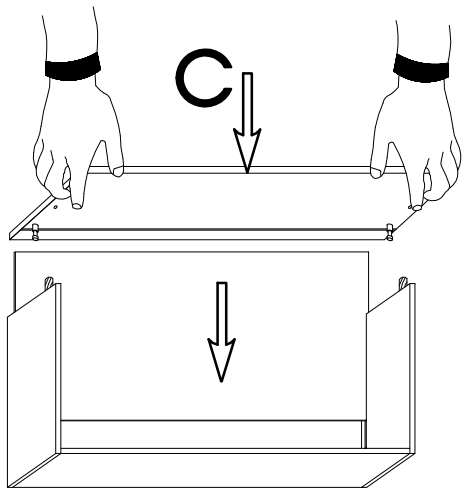
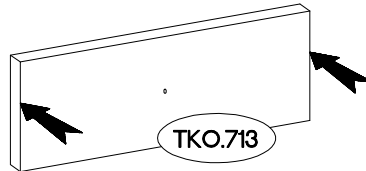
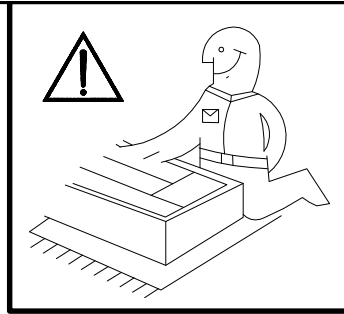
x2



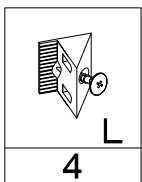
4



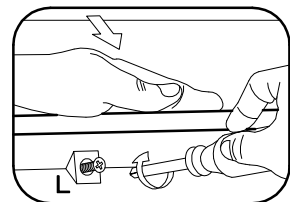
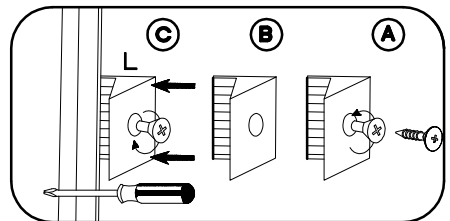
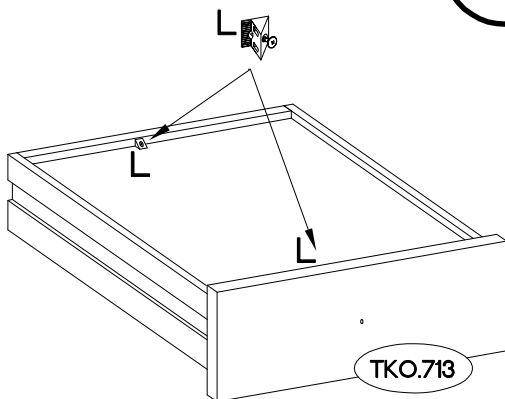
x2

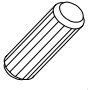
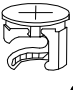

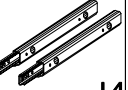



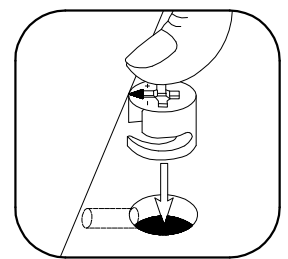
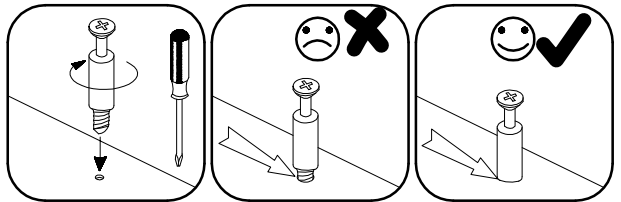
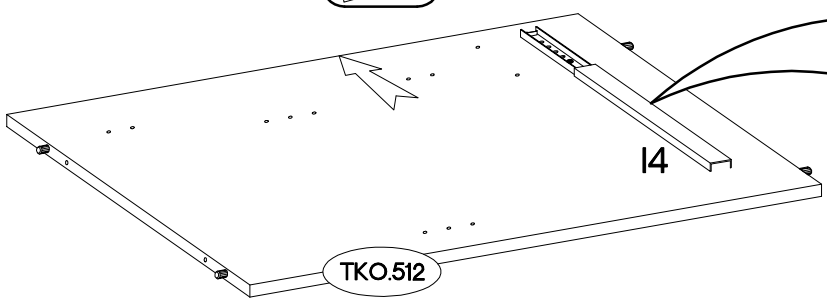
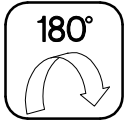
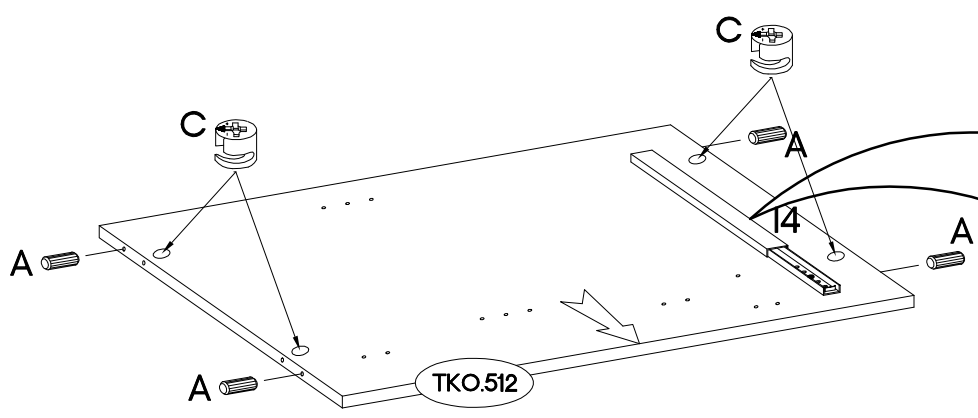
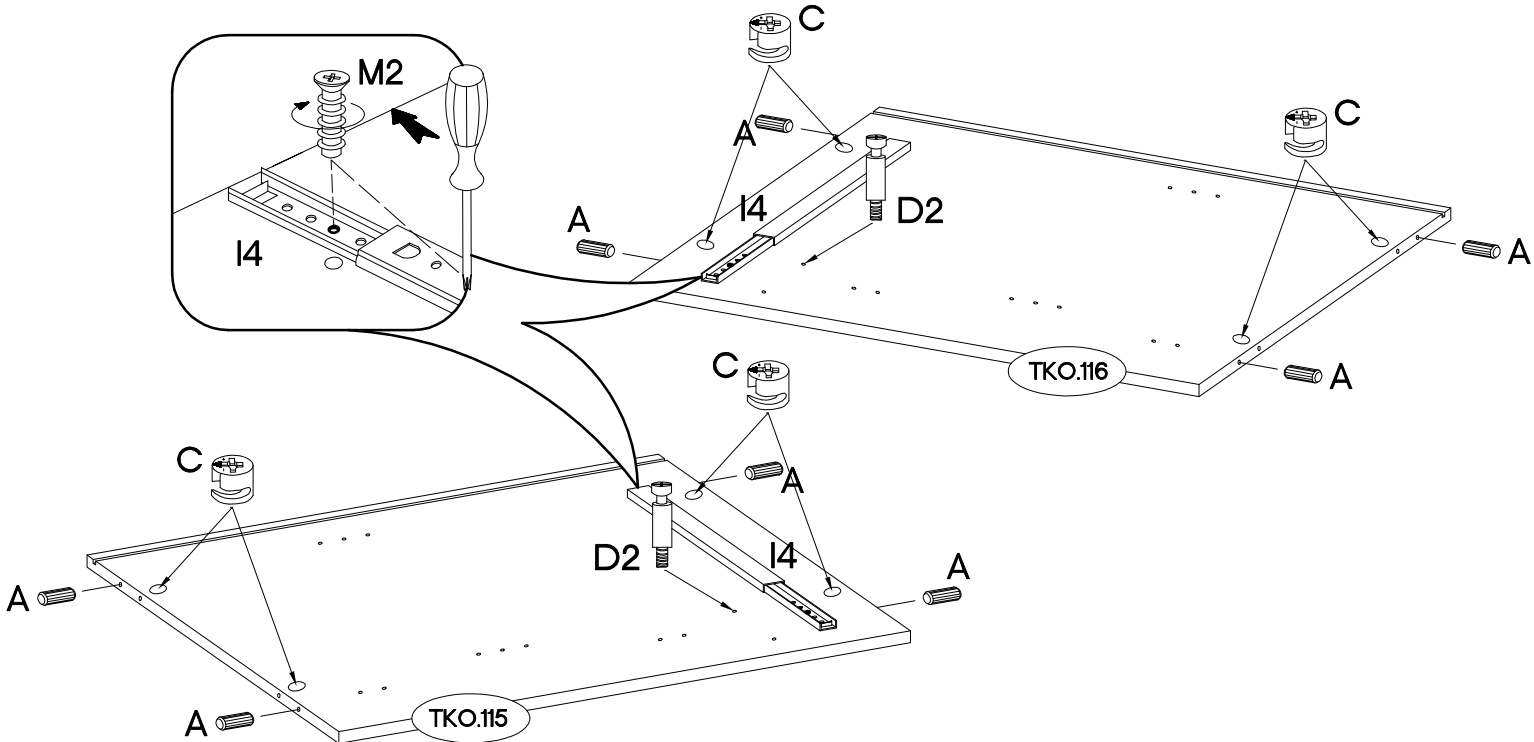
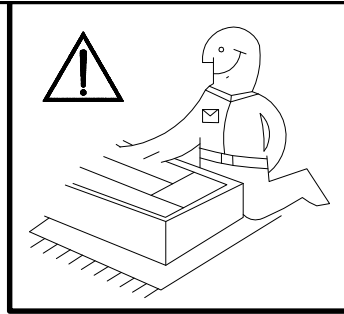
5



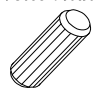
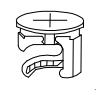

x2

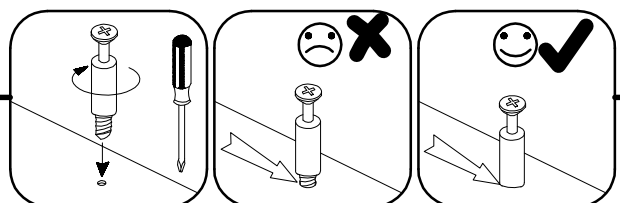
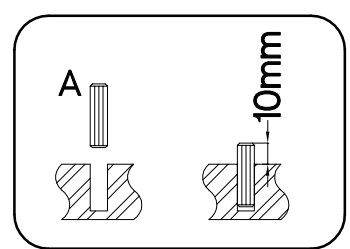
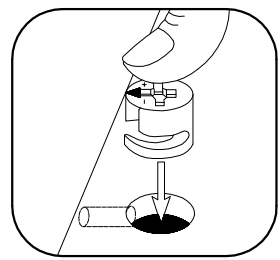
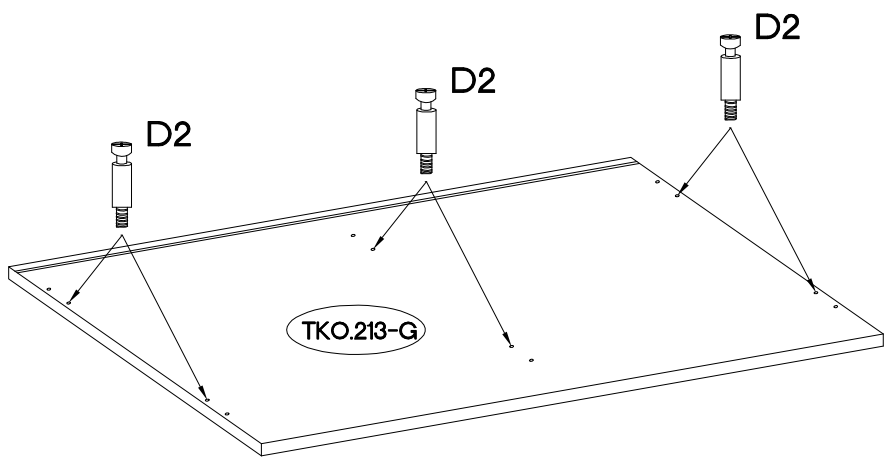
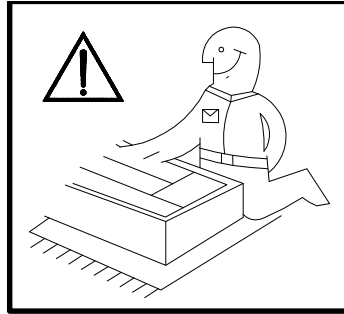
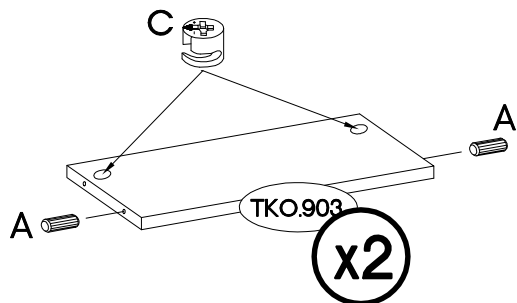


$\pm 8 \times 30 \text{mm}$  A 12	$\pm 15 / 12 \text{mm}$  C 12	L=20mm  D2 2	27/310mm  I4 2	$\pm 6,3 \times 13 \text{mm}$  M2 8
--	--	---	---	--




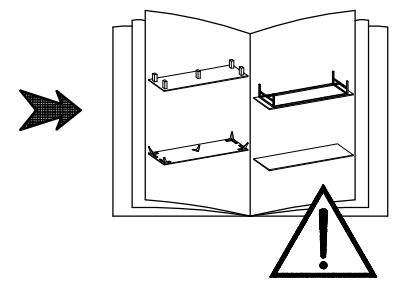
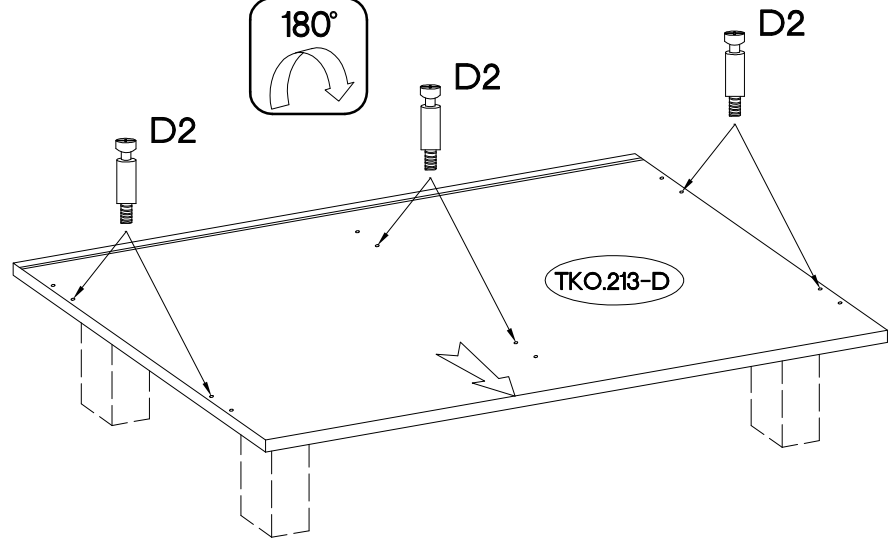
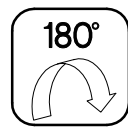
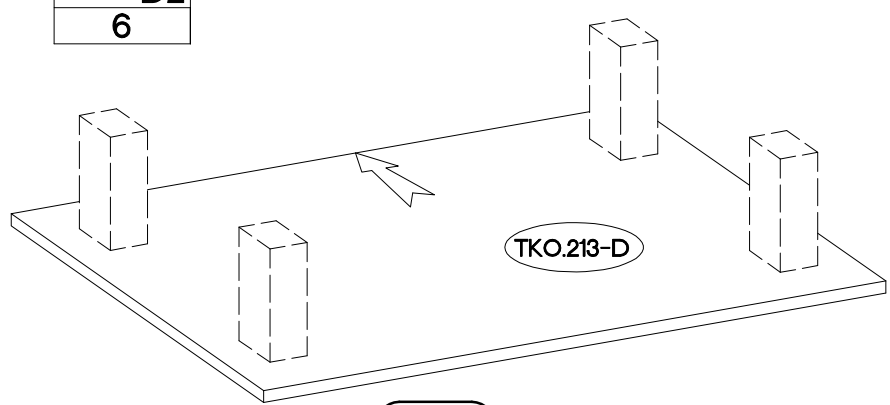
7

<p>±8x30mm</p>  <p>A</p> <p>4</p>	<p>±15/12mm</p>  <p>C</p> <p>4</p>	<p>L=20mm</p>  <p>D2</p> <p>6</p>
---	--	---



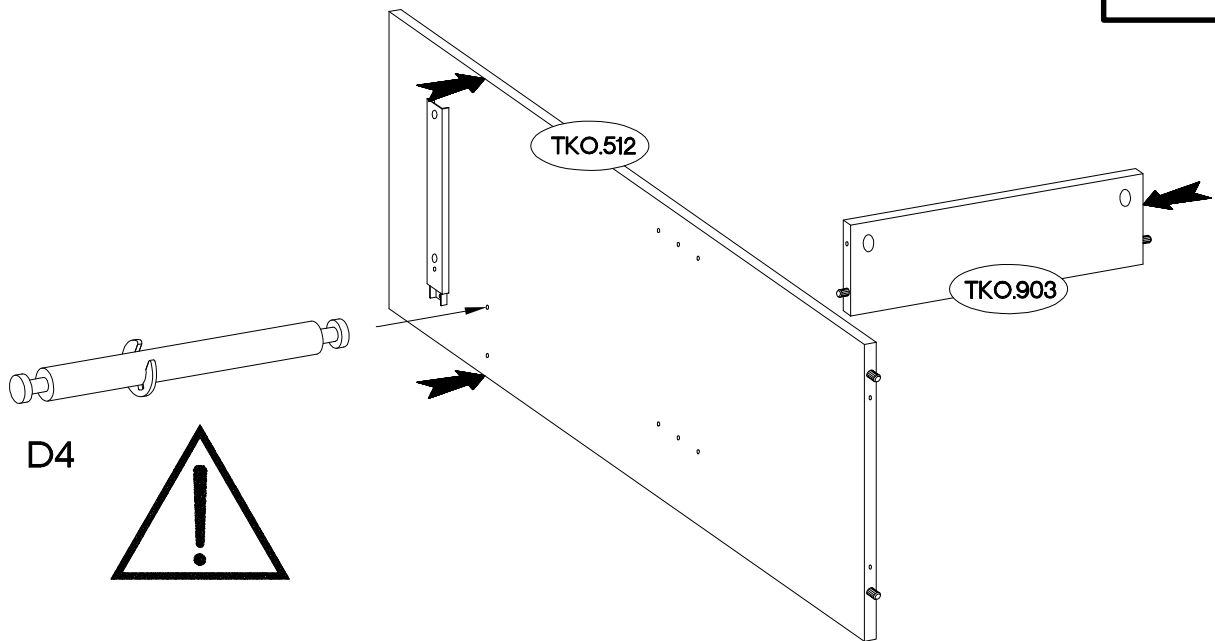
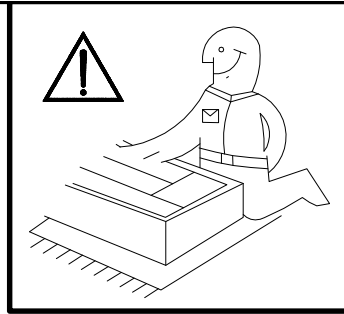
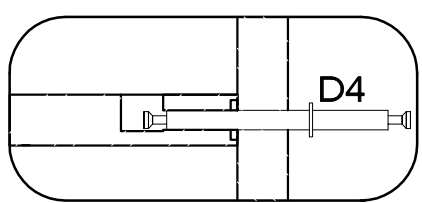
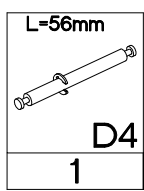
8

<p>L=20mm</p>  <p>D2</p> <p>6</p>
--

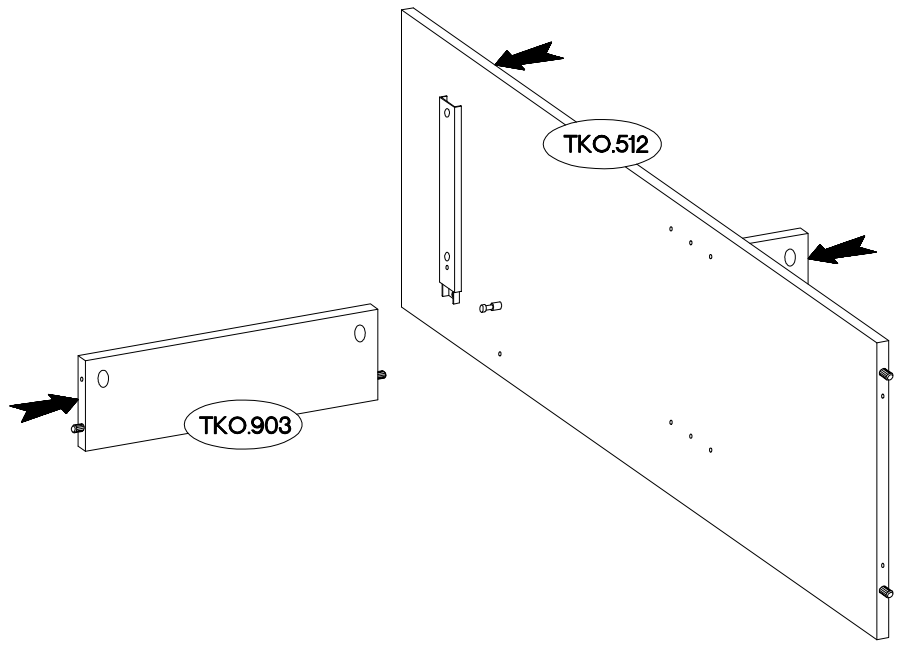
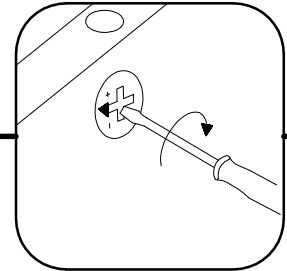
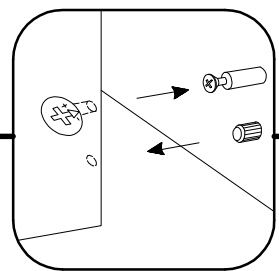


9

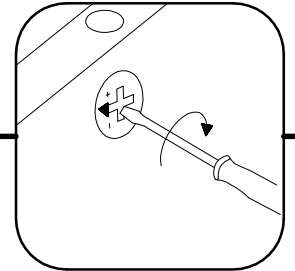
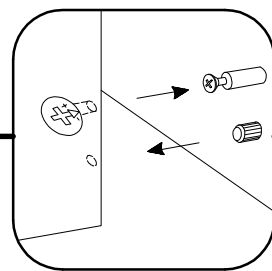
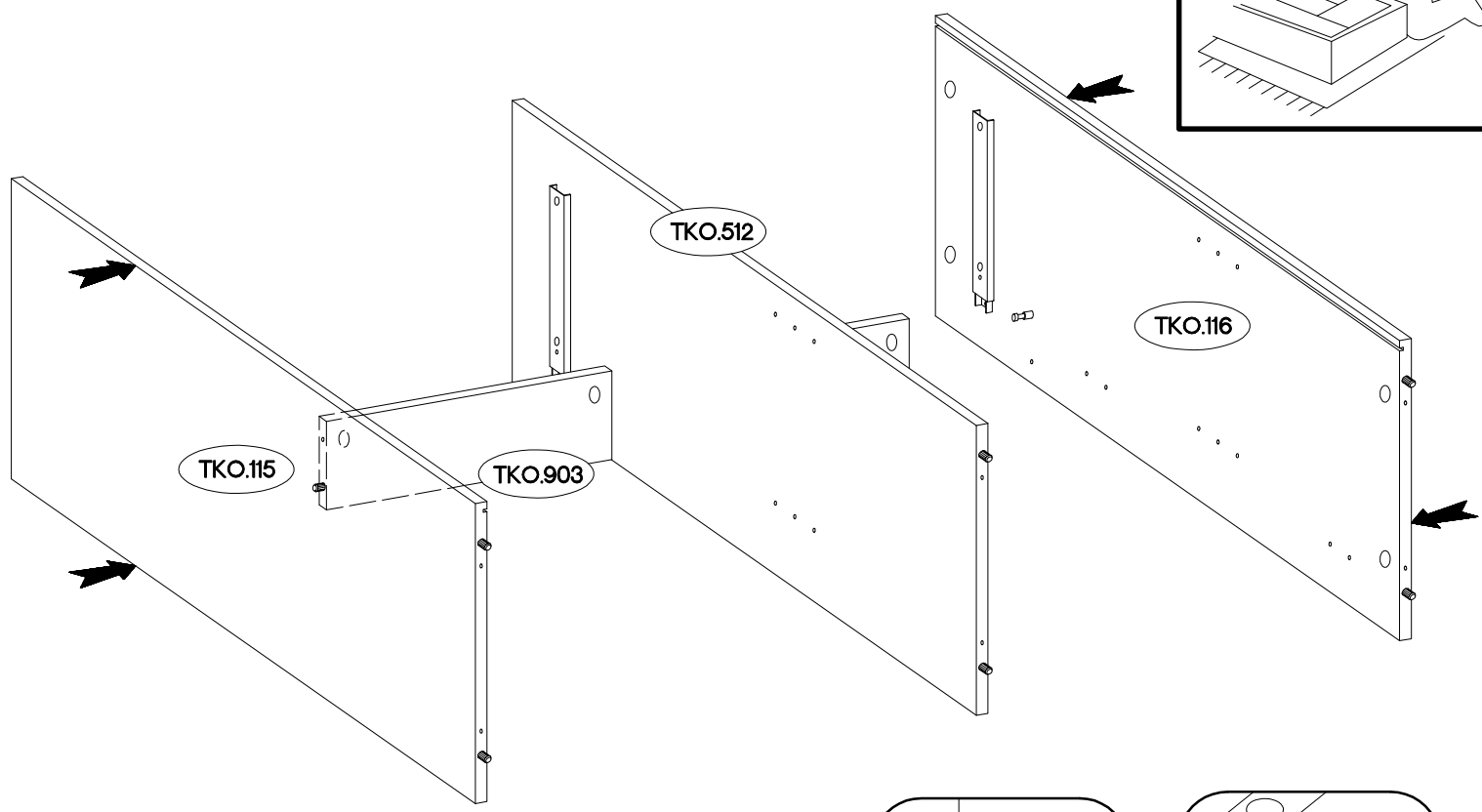
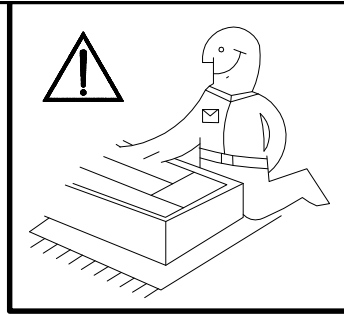
L=56mm
D4
1



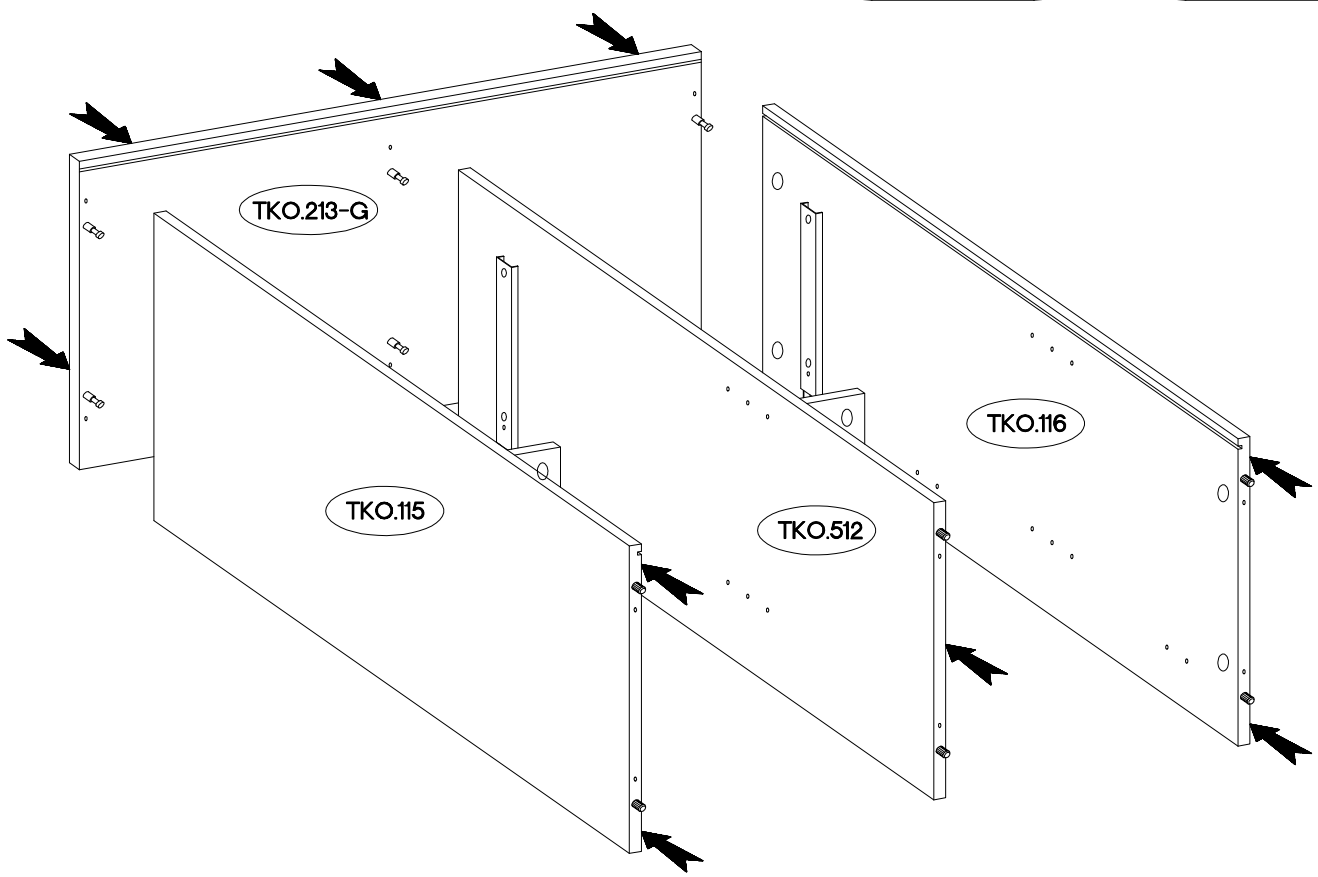
10


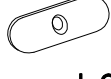
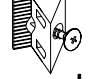


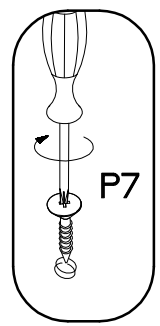
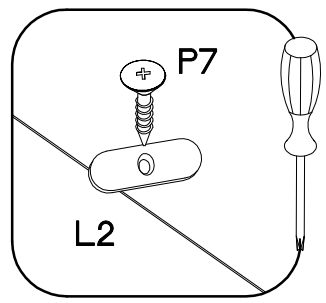
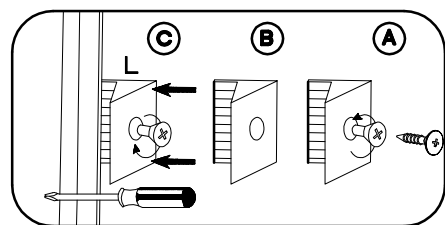
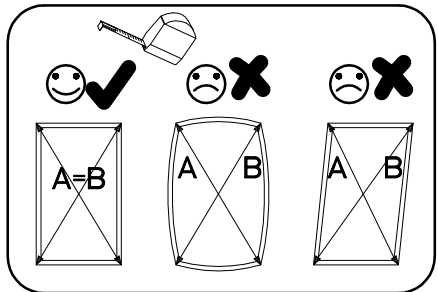
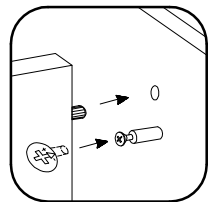
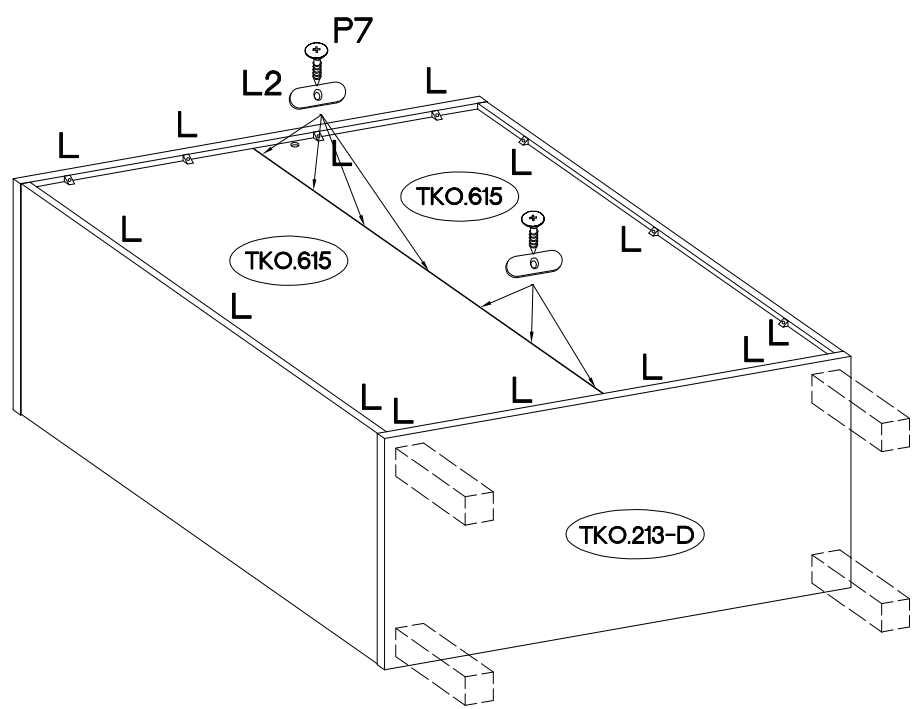
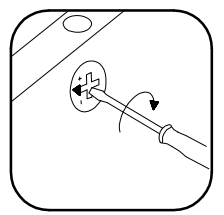
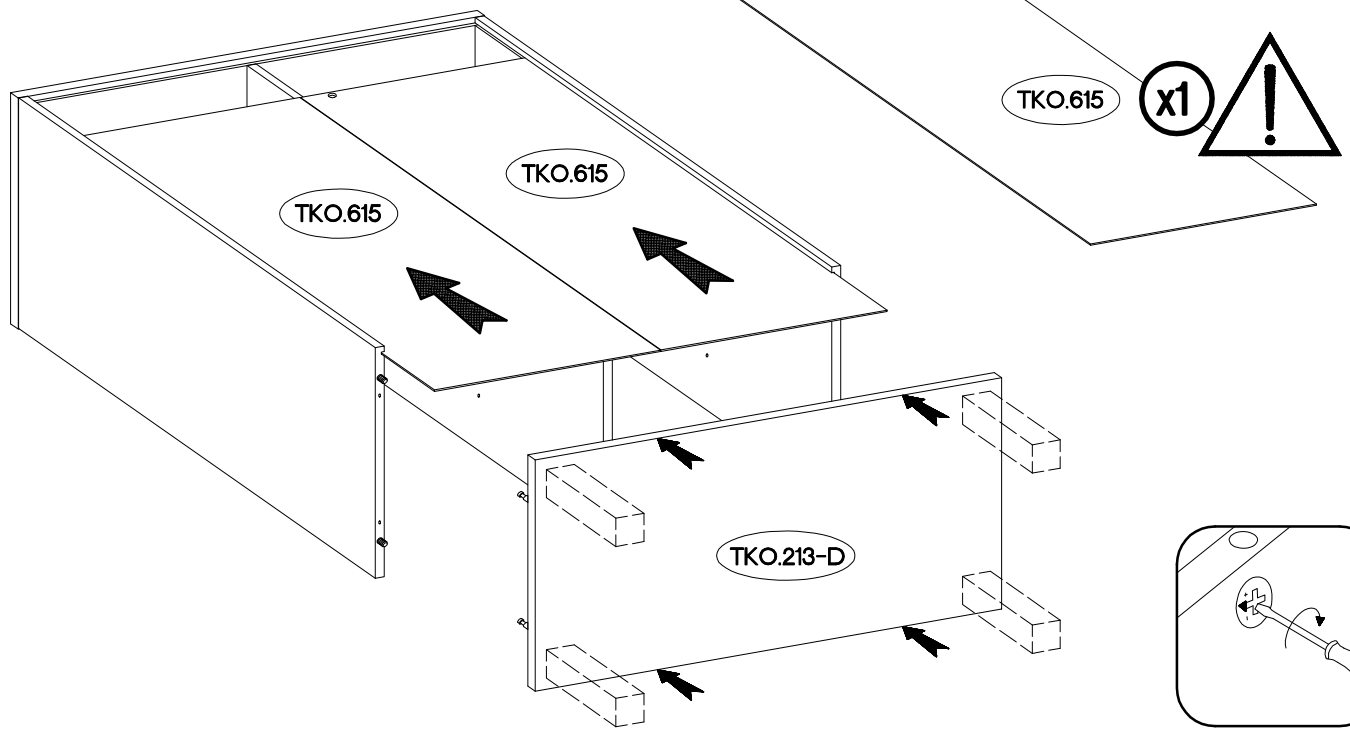
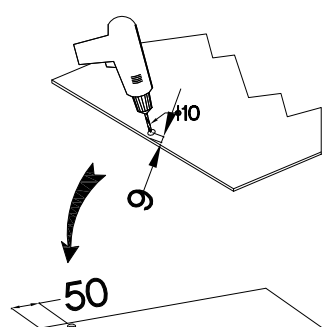
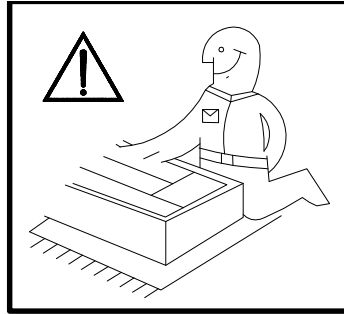
11

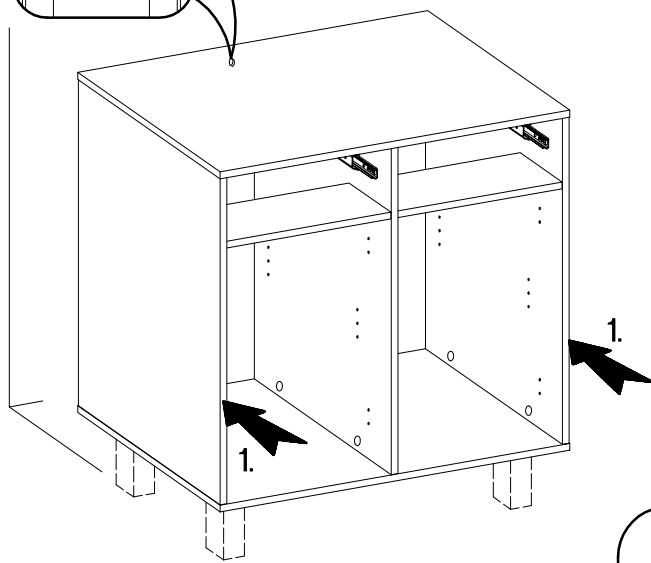
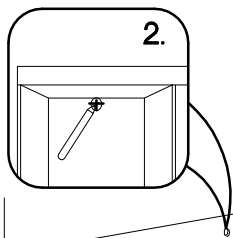





12

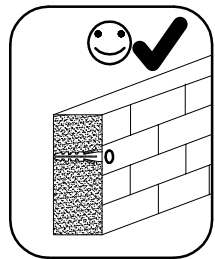
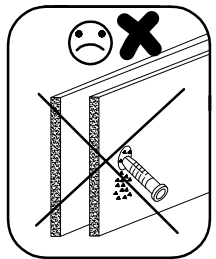
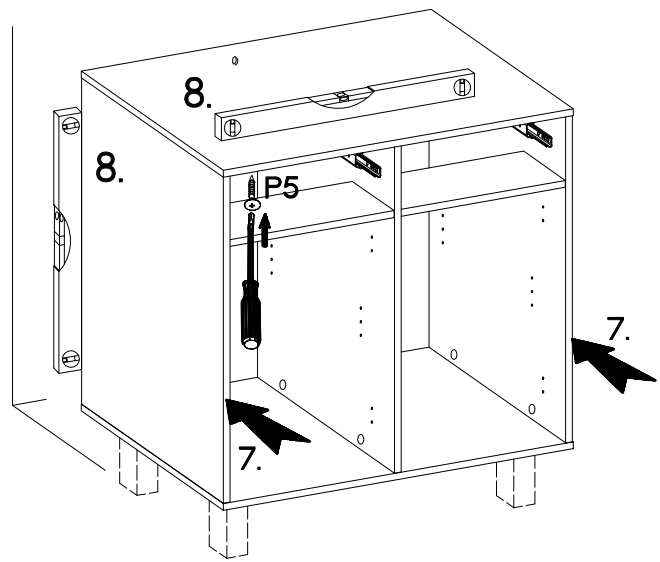
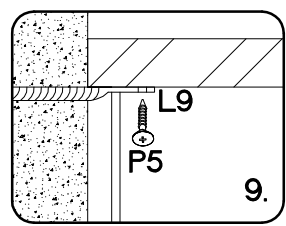
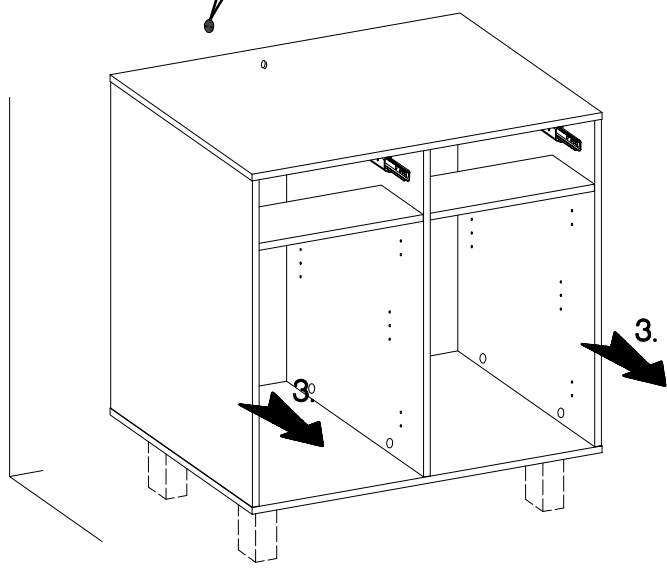
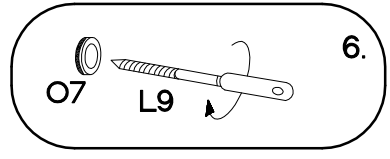
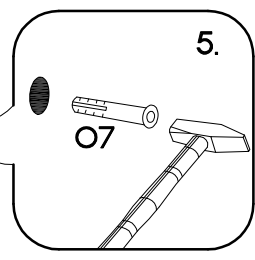
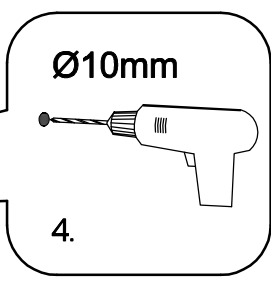


 P7 7	 L2 7	 L 14
--	--	--

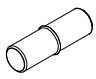


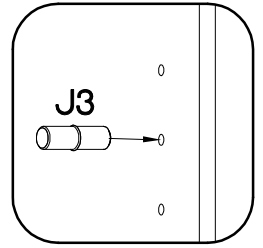
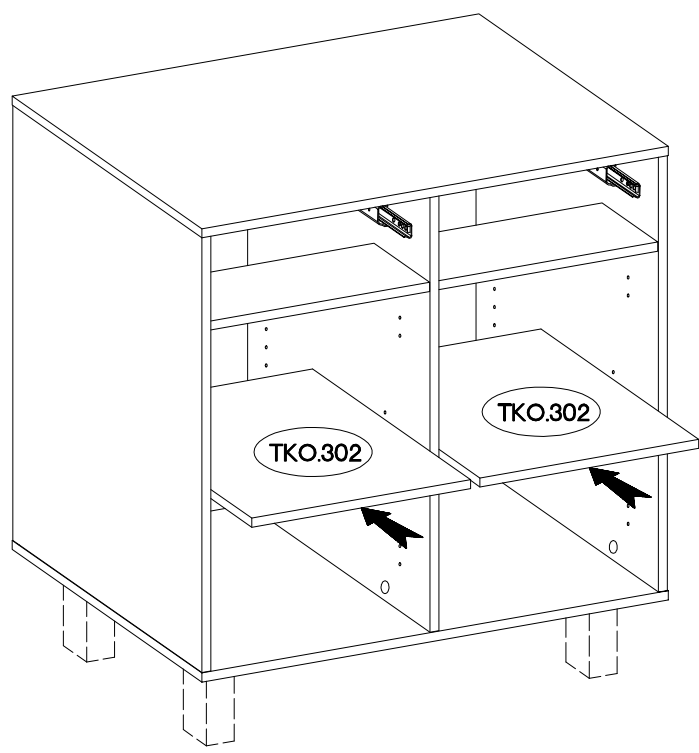


$\pm 10 \times 50 \text{mm}$  Ø7 1	 L9 1	$\pm 3.5 \times 13 \text{mm}$  P5 1
---	---	---

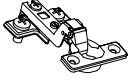



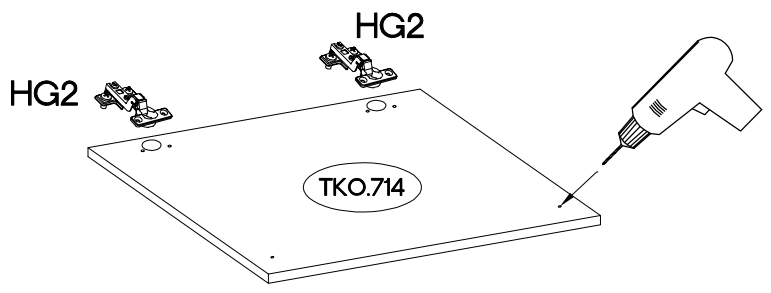
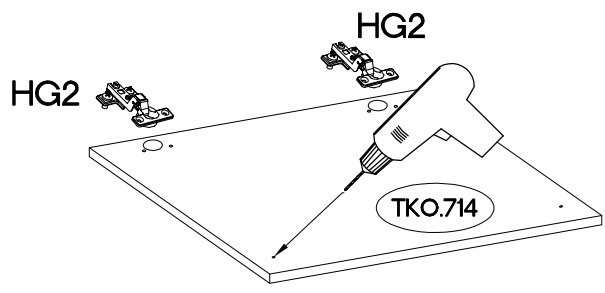
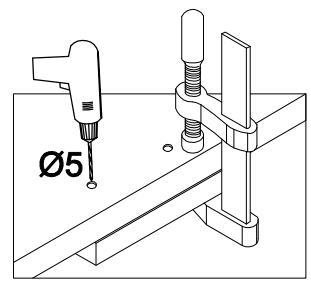
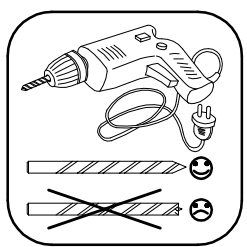
15

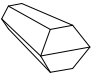


±5/16mm

J3
8

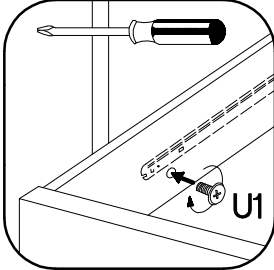
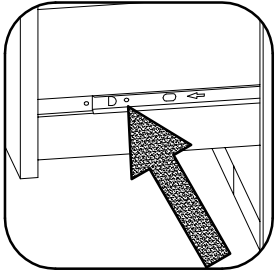
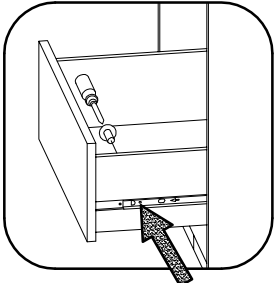
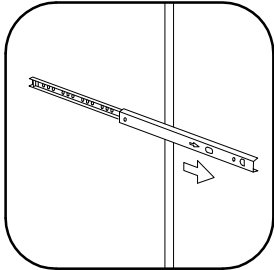
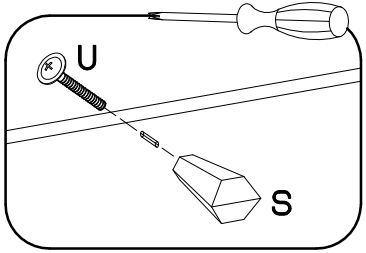
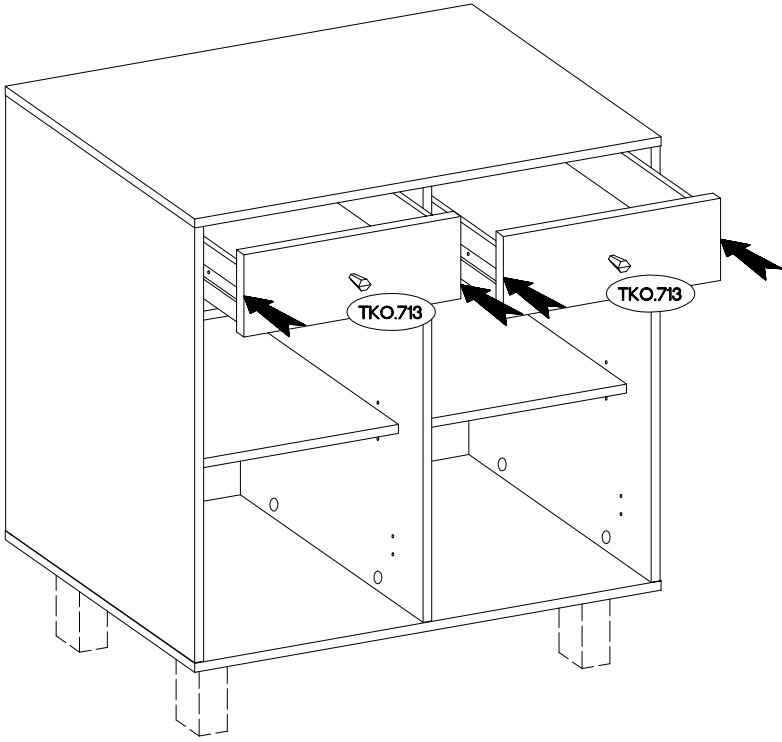


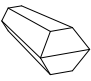

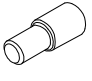
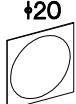
16

±35/16mm	±3.5x13mm
	
HG2	P5
4	8



 S	M4x22mm  U	M4x9mm  U1
2	2	4



	M4x22mm 		
S	U	J12	E11
2	2	2	10

