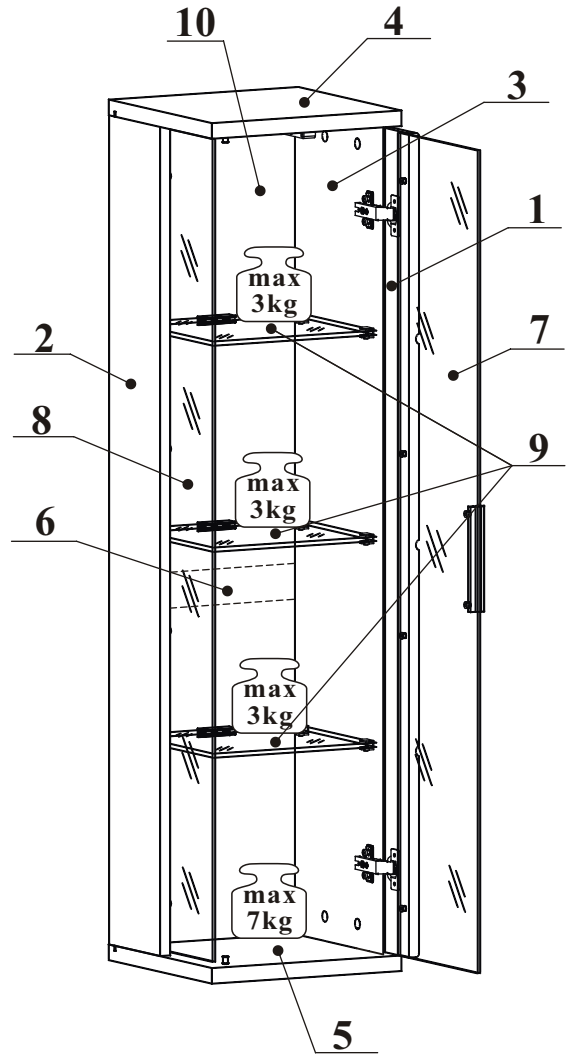
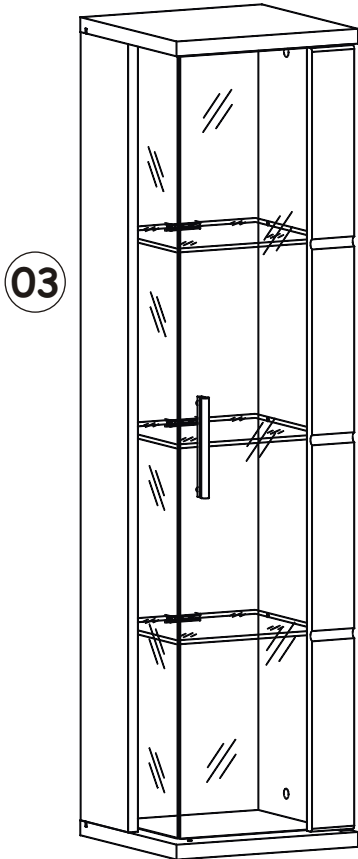
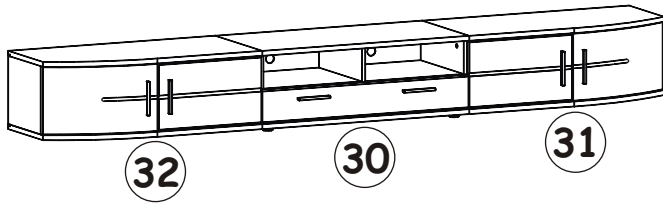
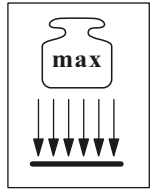
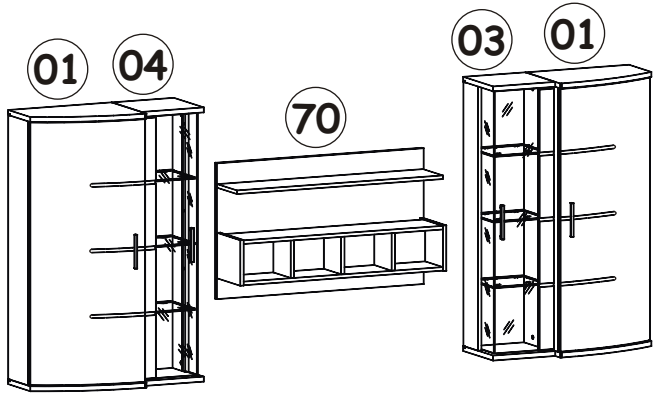
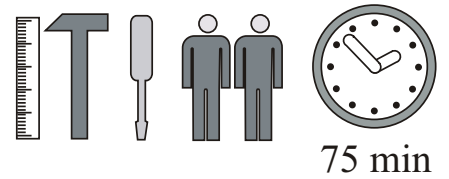


JELLY TYP 03 27WTWJL



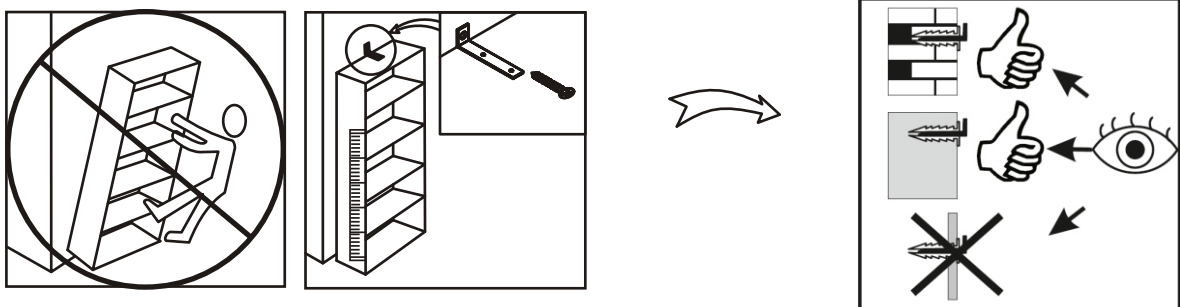
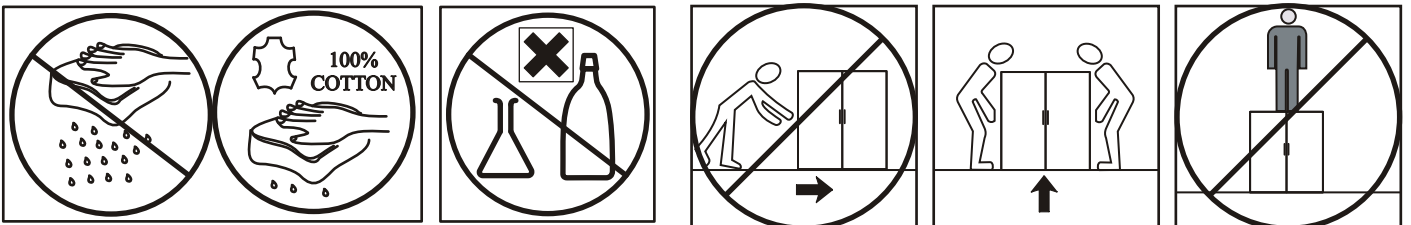
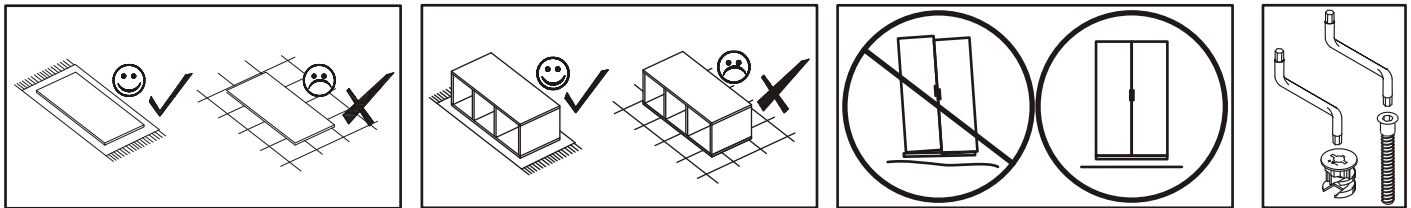
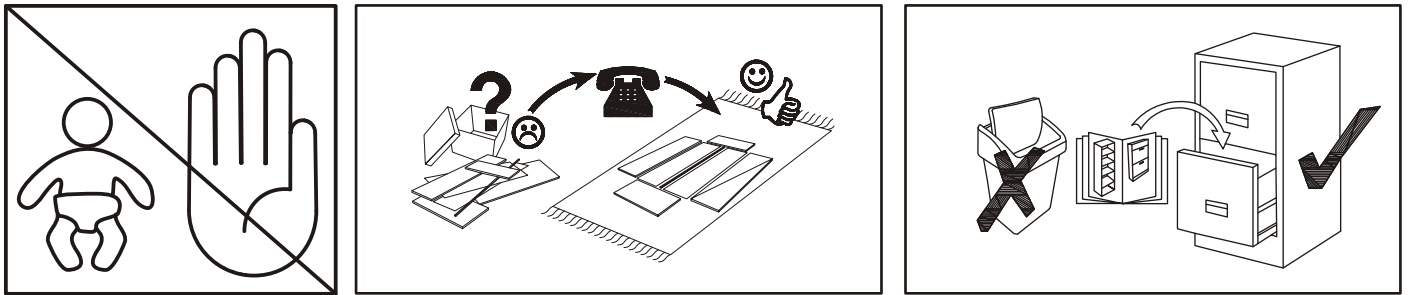
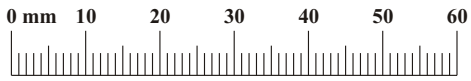
NO	Dim.		Col.-No	Qty
1	70	1160	3/8.	1
2	1167	150	3/8.	1
3	1167	280	3/8.	1
4	301	303	3/8.	1
5	301	303	3/8.	1
6	268	80	3/8.	1
7	1158	235	3/8.	1
8	1158	150	3/8.	1
9	259	244	3/8.	3
10	1179	280	3/8.	1



75 min

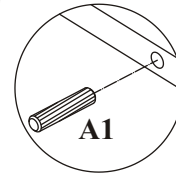
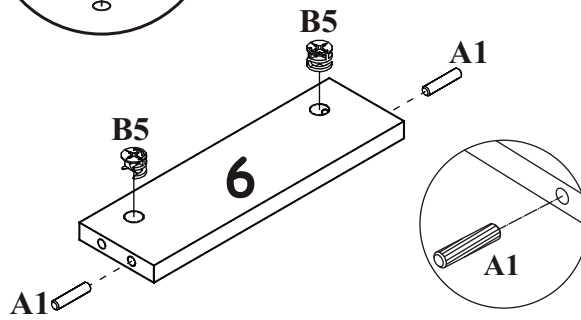
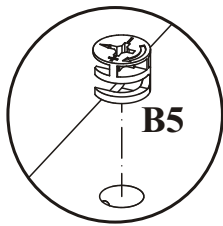
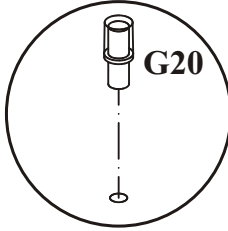
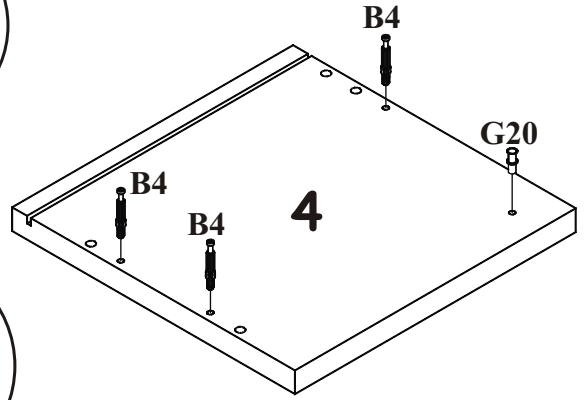
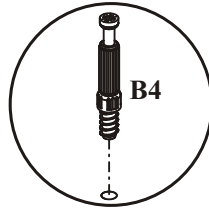
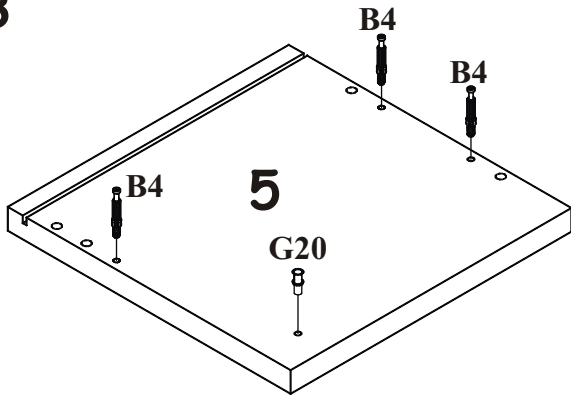
JELLY TYP 03

A1 x10 ø8x36	B4 x8	B5 x8 ø15x12	G5 x8	ZXL x1	ZXP x1
E21 x2 Ø35 H=0	E2 x2 H=0	D10 x4 USØ3,5x13	KL x1 L-128mm	UP5 x2 UPØ4x16	S1 x10
G20 x2	G30 x12	P2 x10	UP13 x8 UPØ3x16	KR2 x2	G2 x1
LED x1 x6	→ Col. - No 8 (TYP 30)				

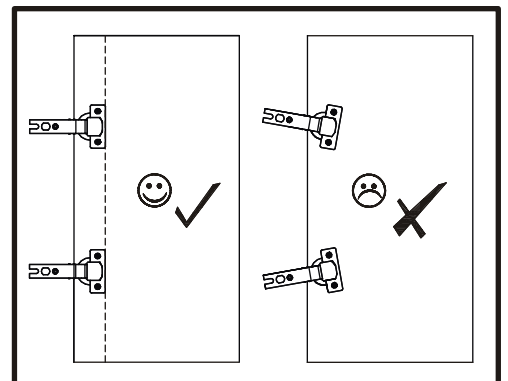
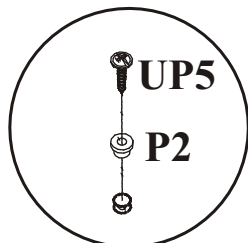
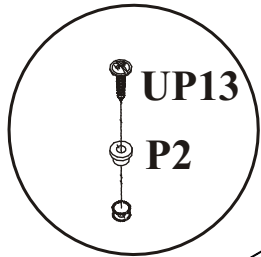
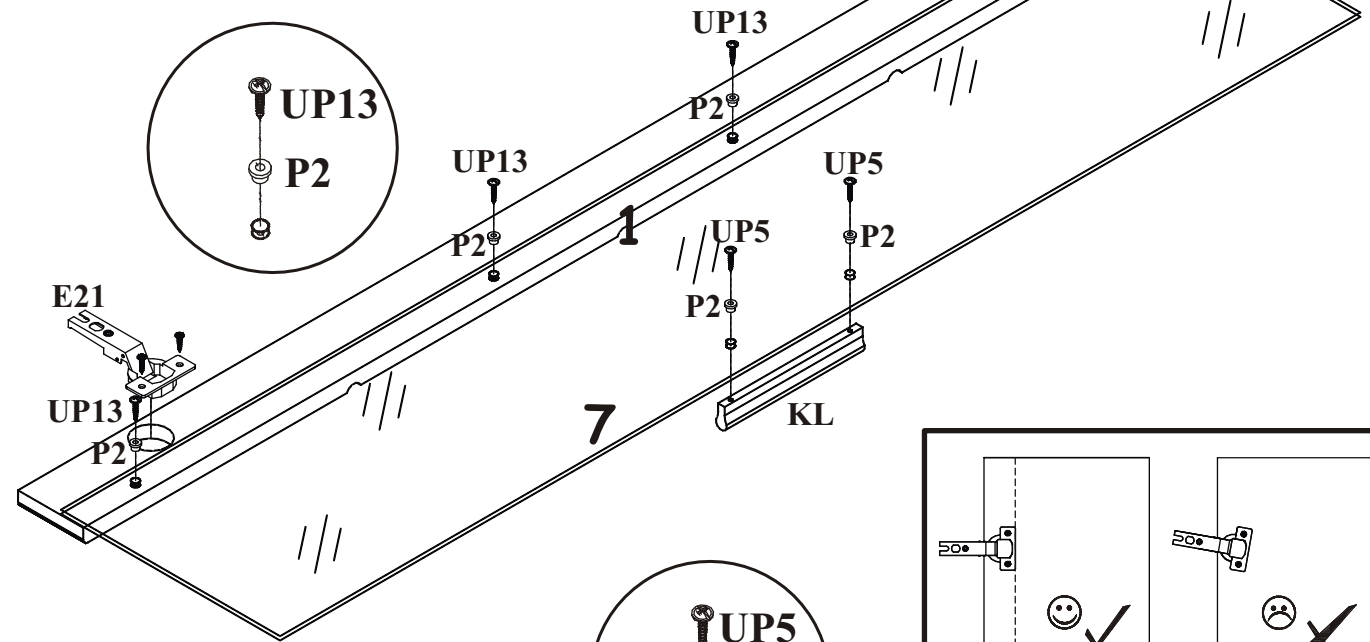
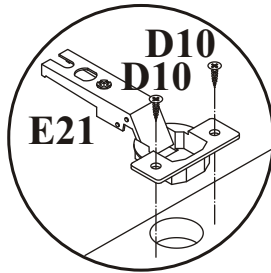
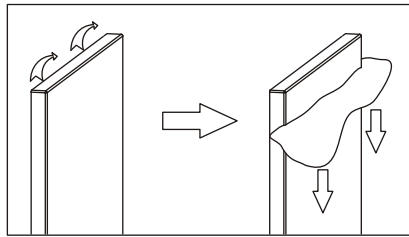


JELLY TYP 03

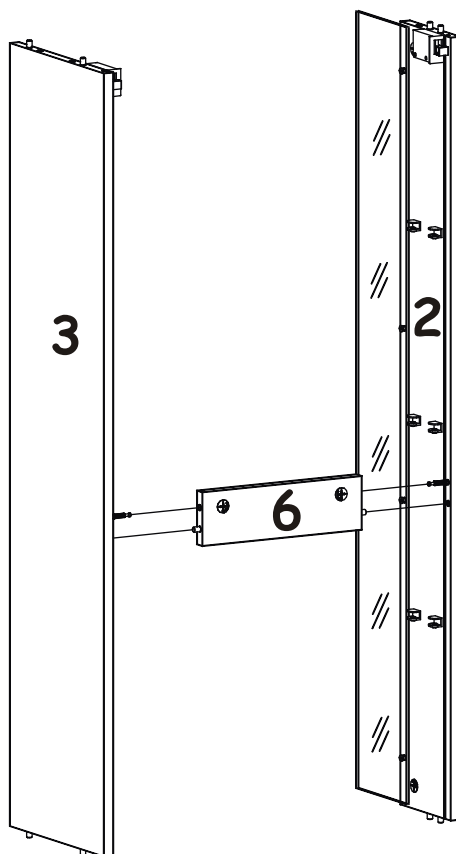
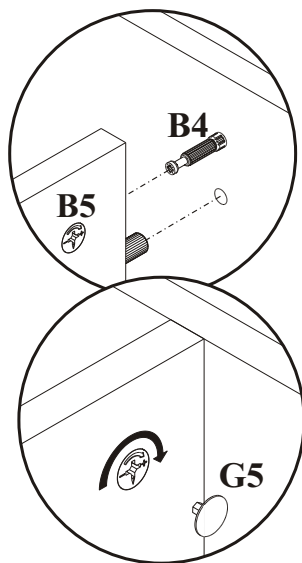
3



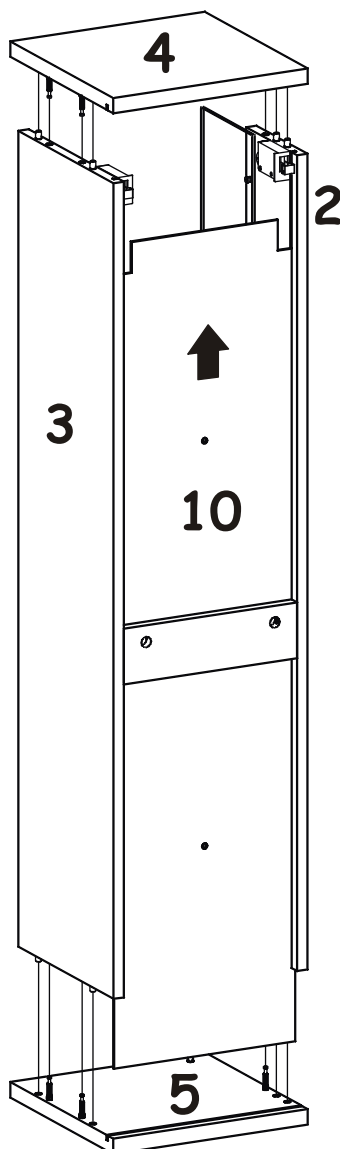
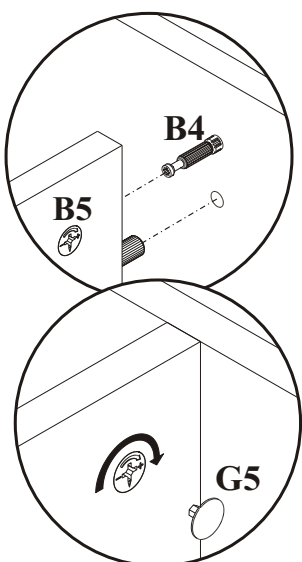
4



5

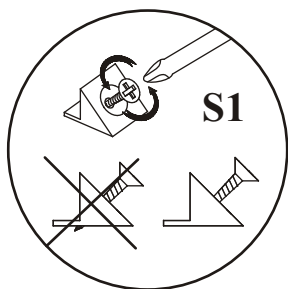
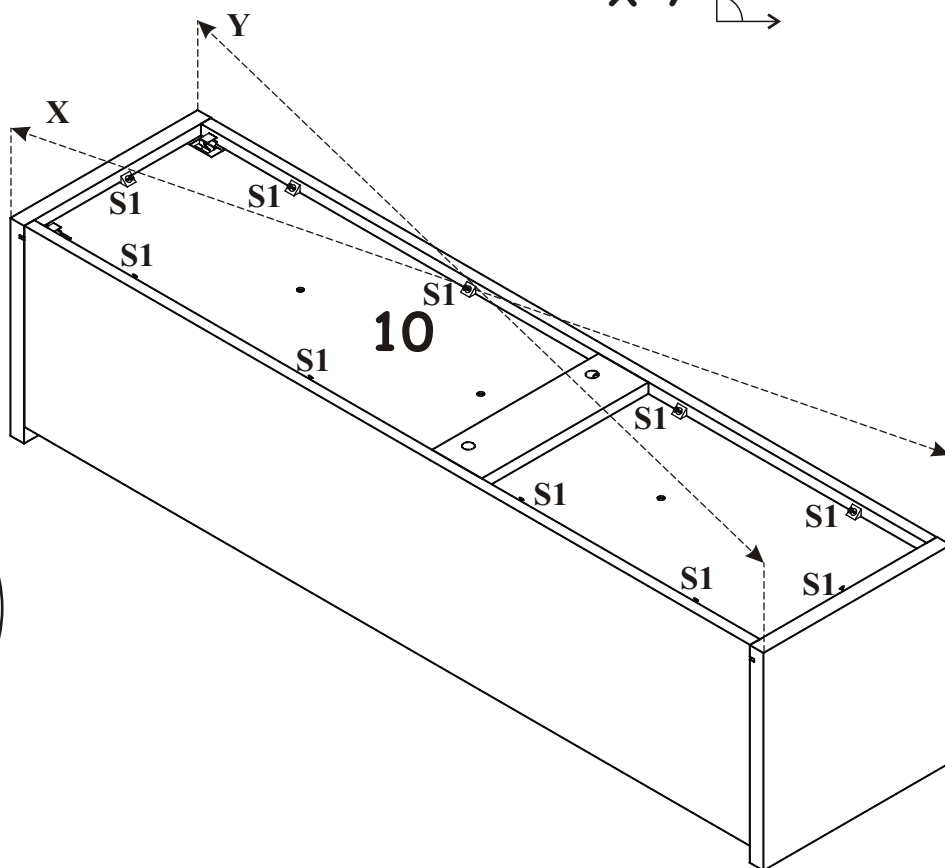


6

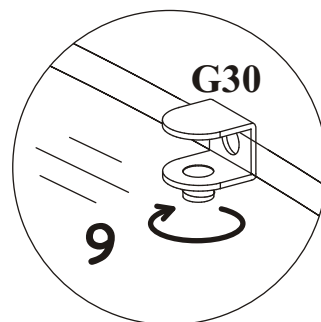
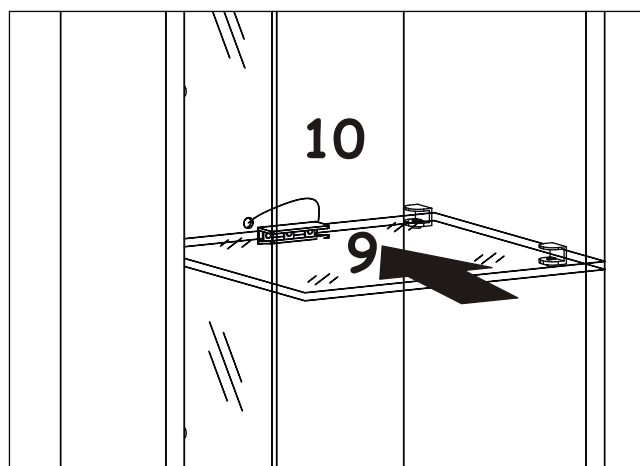
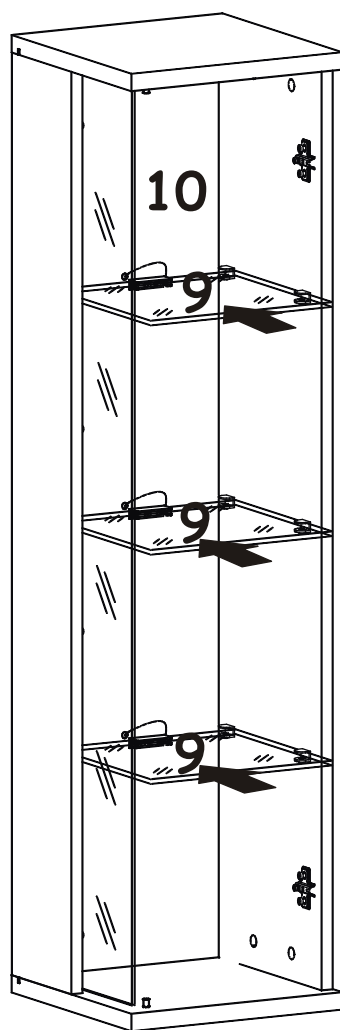


$X=Y$ 90°

7



8



JELLY TYP 03

9

