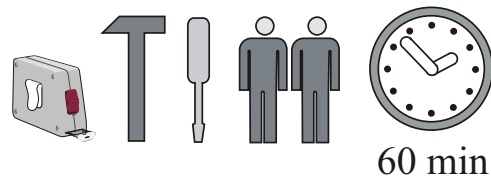
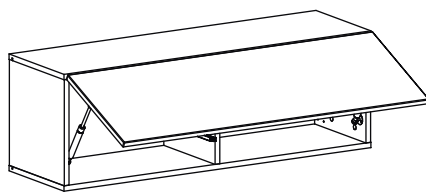
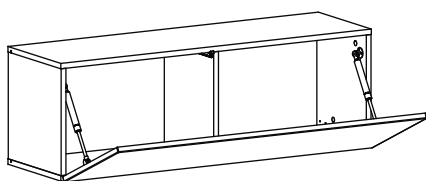
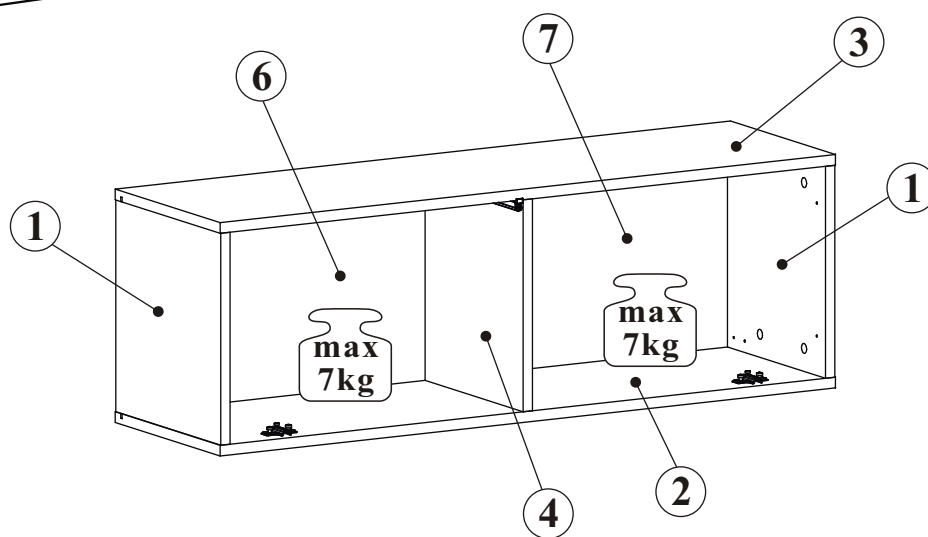
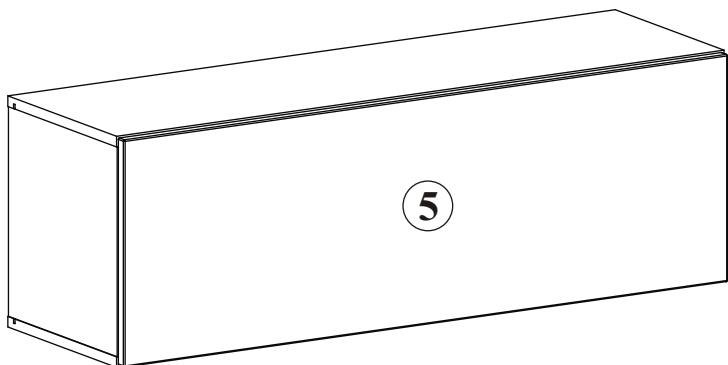
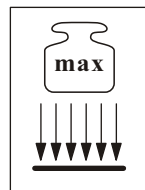
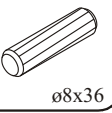
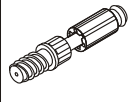


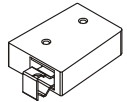

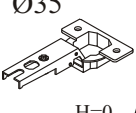
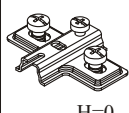

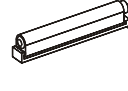

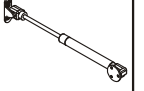
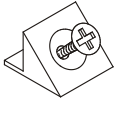
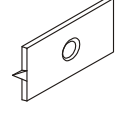

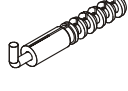



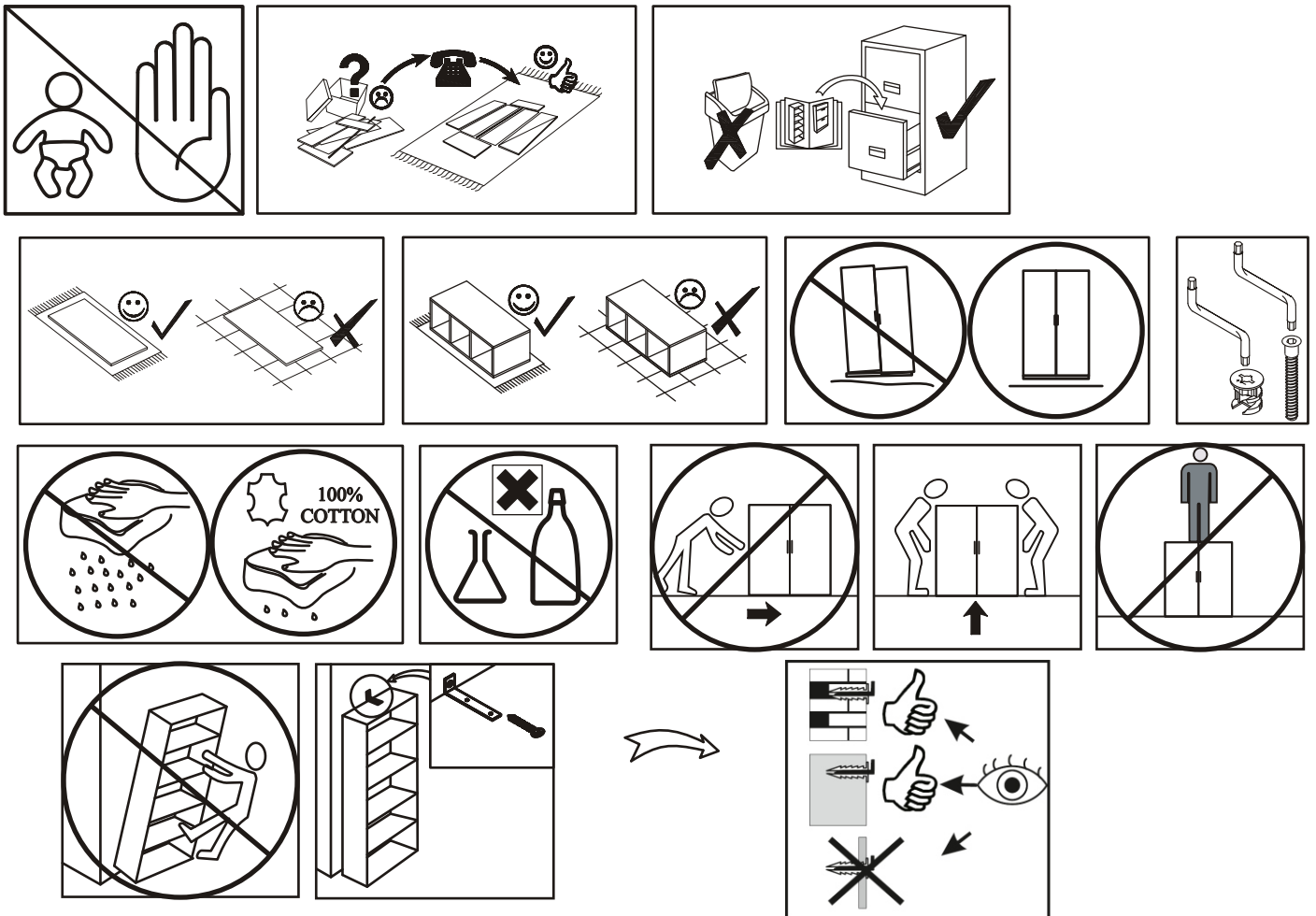
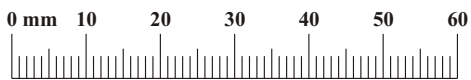
BLOX TYP 22



NO	Dim.		Col.-No	Qty
1	317	304	1	2
2	1049	304	1	1
3	1049	304	1	1
4	317	284	1	1
5	1043	343	1	1
6	329	512	1	1
7	329	512	1	1

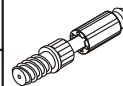
BLOX TYP 22

A1 x12  ø8x36	B4 x12 	B5 x12  Ø15x12	G5 x12 	ZR1 x3 	D6 x6  USØ3,5x30
E21 x2  Ø35 H=0	E2 x2  H=0	D10 x26  USØ3,5x13	T1 x1 	BO1 x2 	BP1 x2 
S1 x8 	G16 x2 	UP13 x2  UPØ3x16	KR2 x3 	G2 x1 	



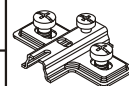
B4

x6



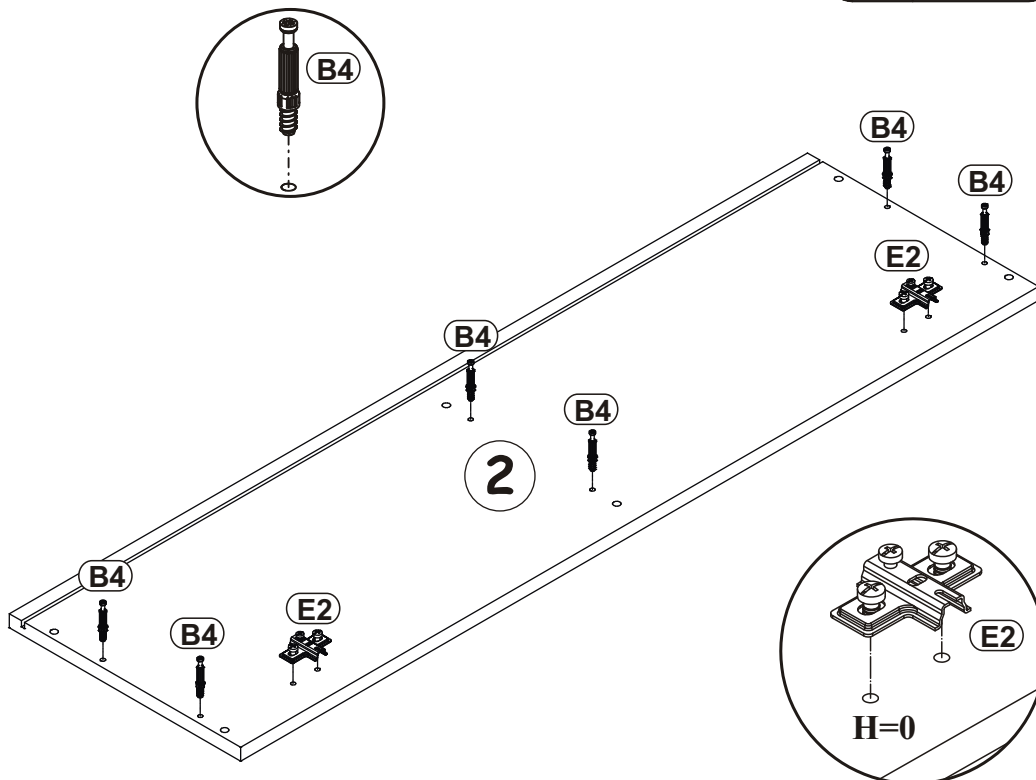
E2

x2



H=0

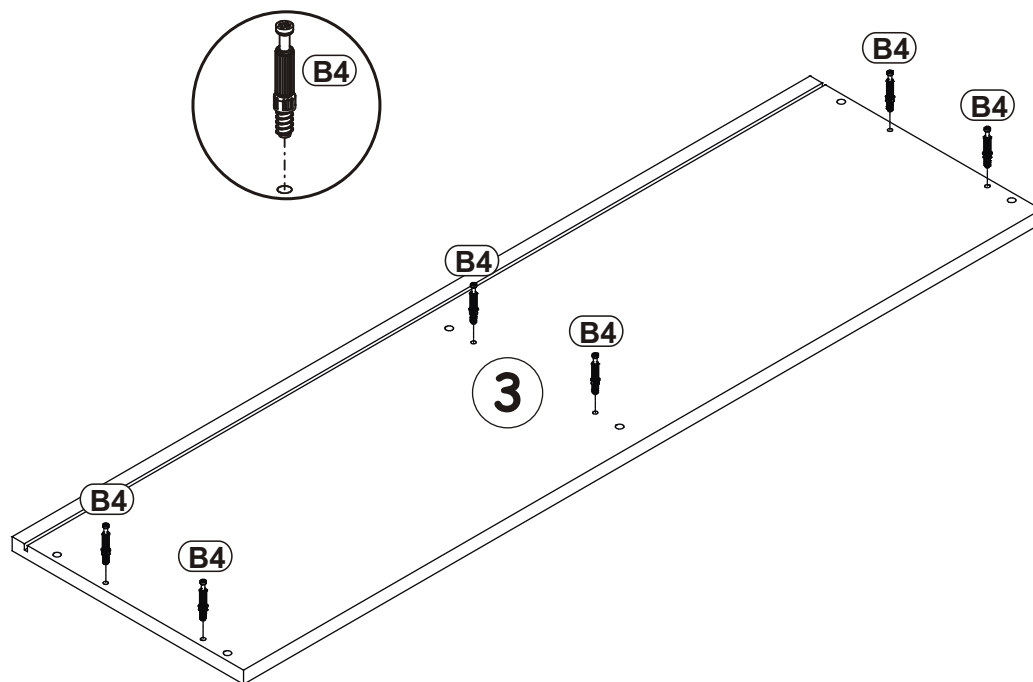
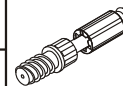
1



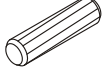

2

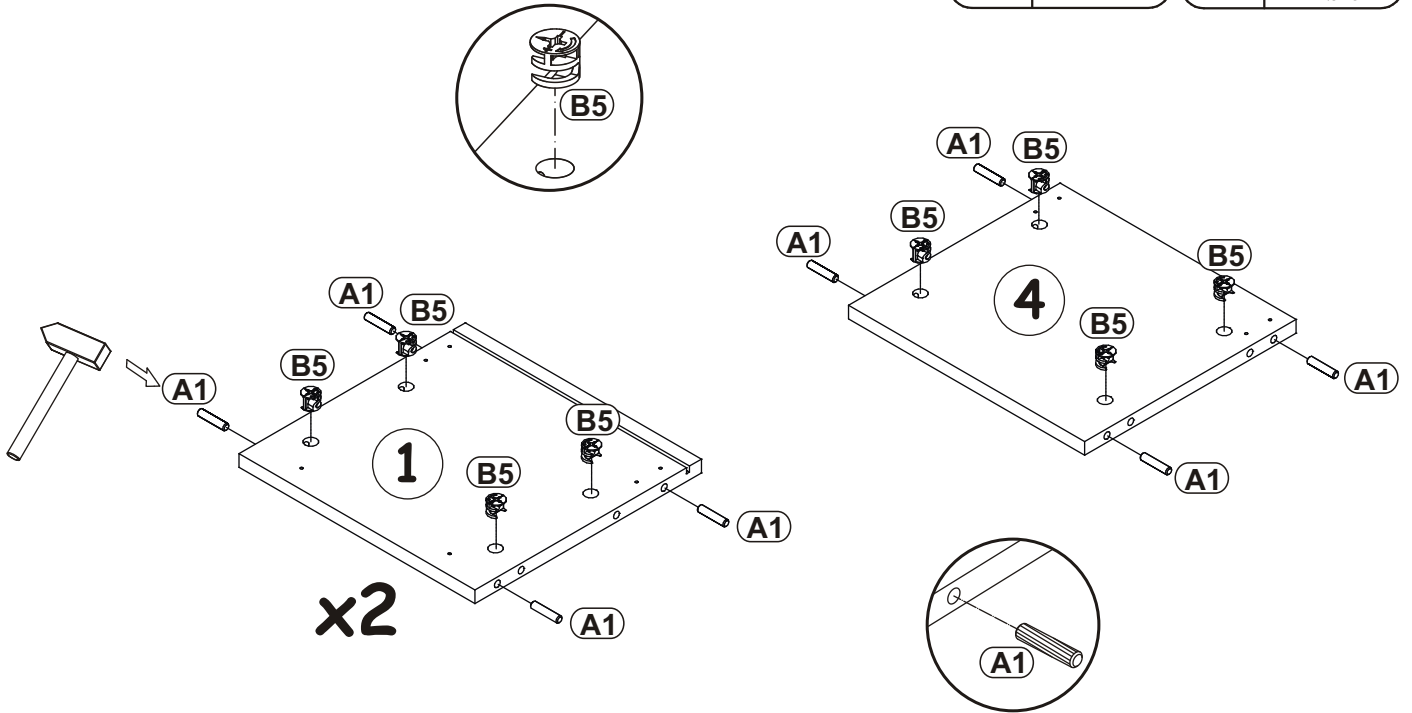
B4

x6

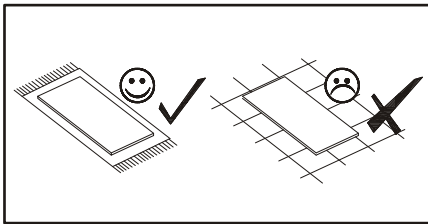


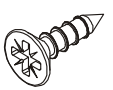
3

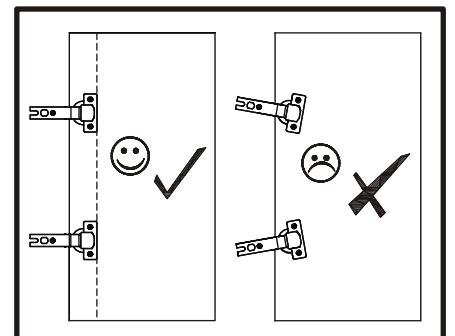
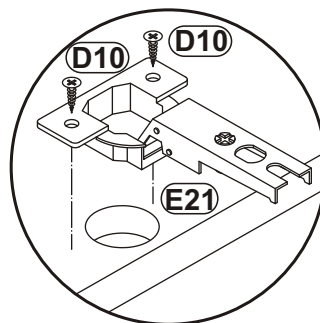
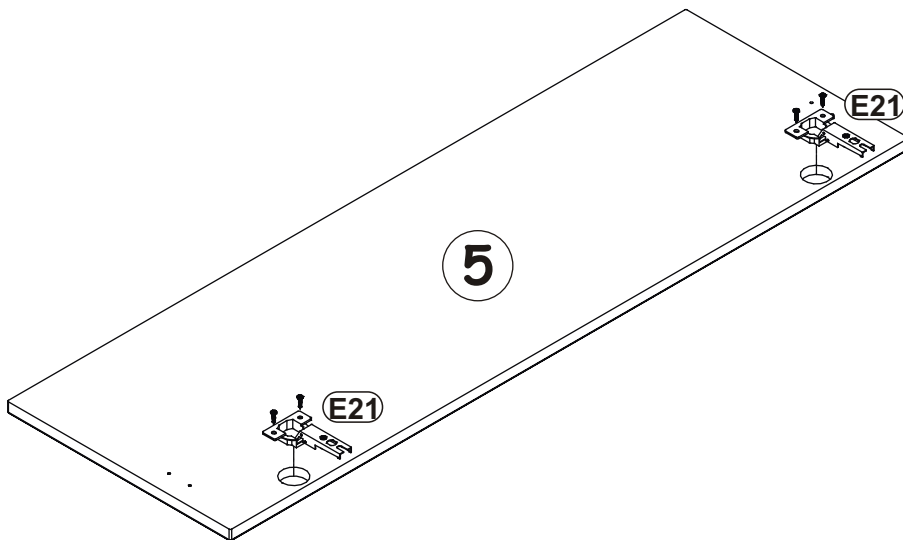
A1		B5	
x12	ø8x36	x12	Ø15x12



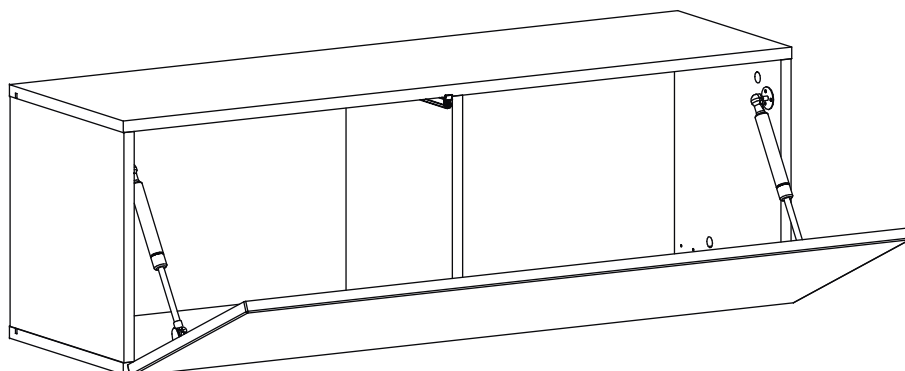
4



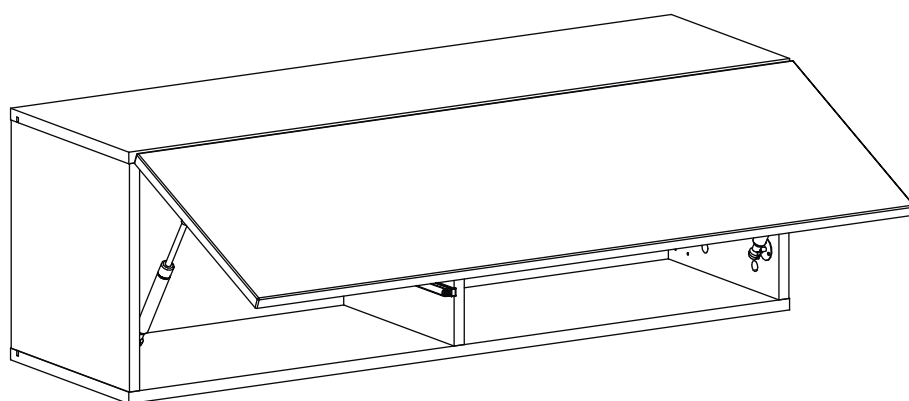
E21	Ø35	D10	
x2	H=0	x4	USØ3,5x13



5 - 11

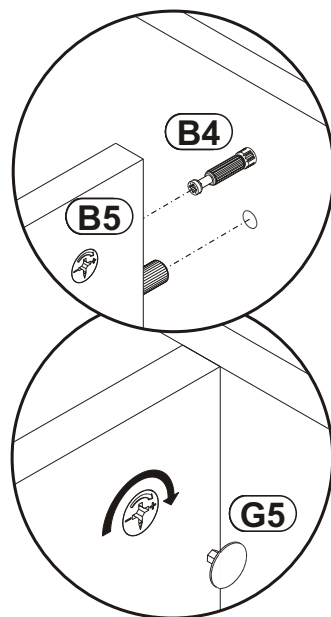
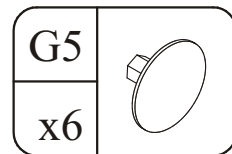
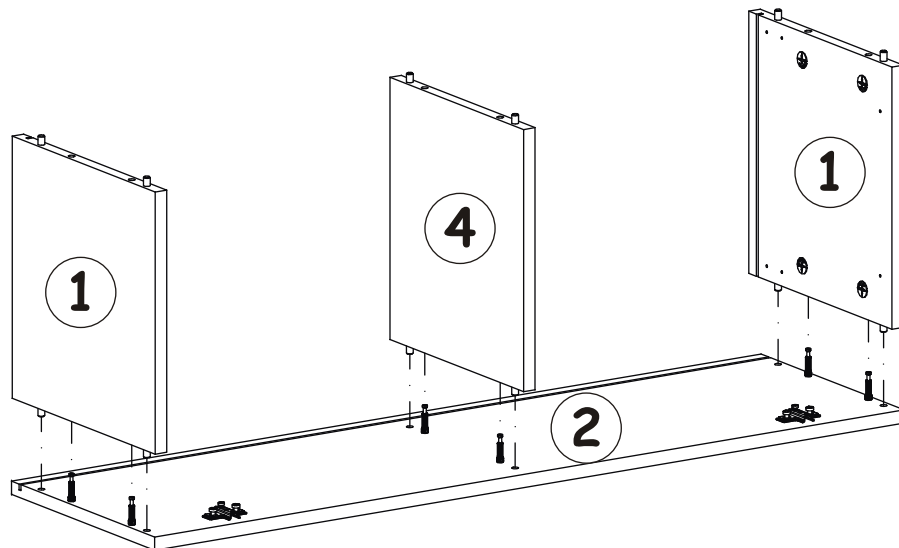
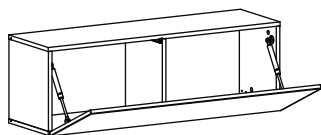


12 - 19

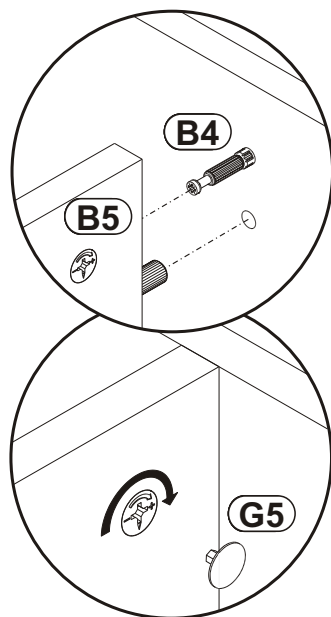
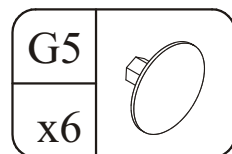
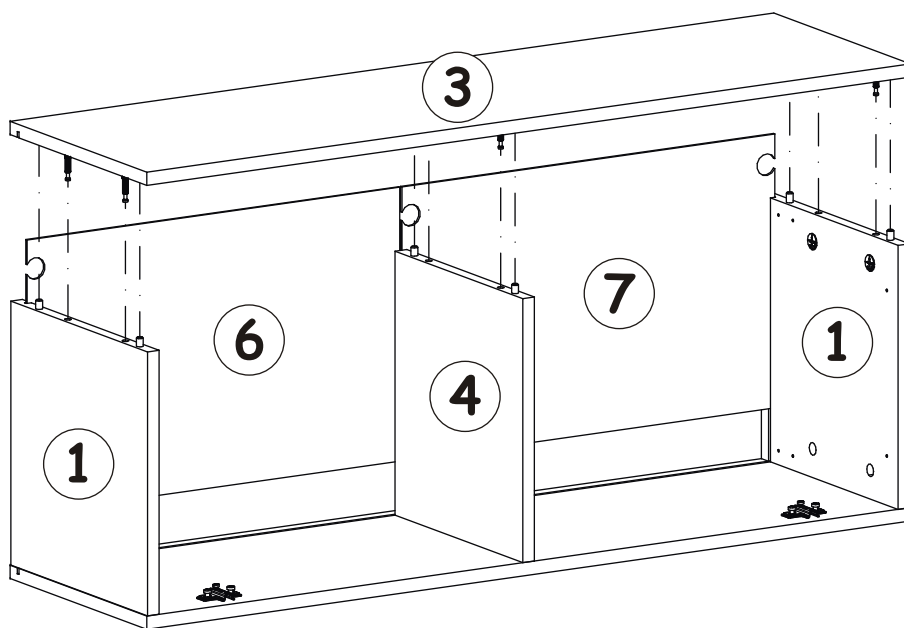


BLOX TYP 22

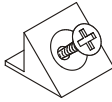
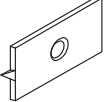
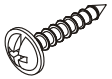
5



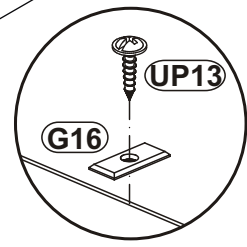
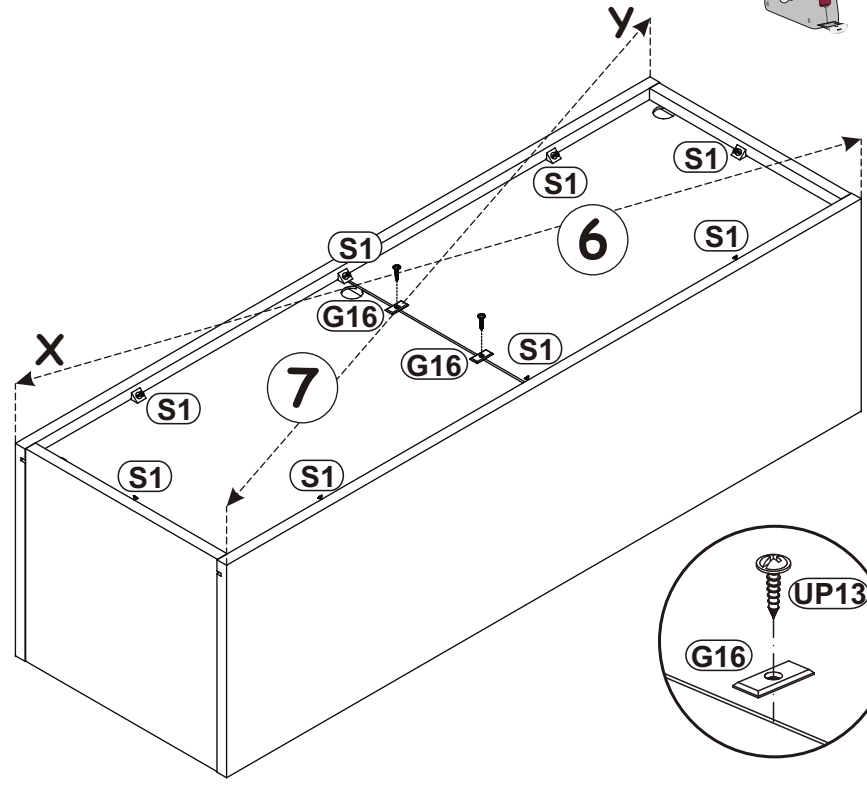
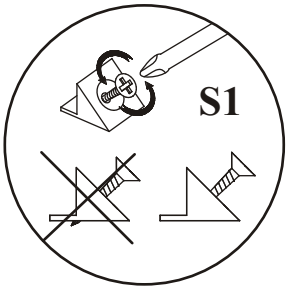
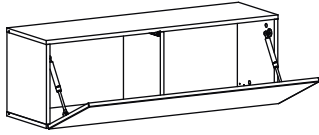
6



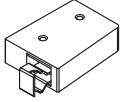

BLOX TYP 22

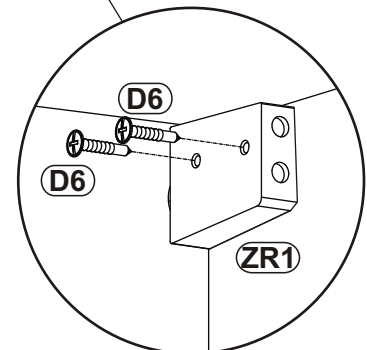
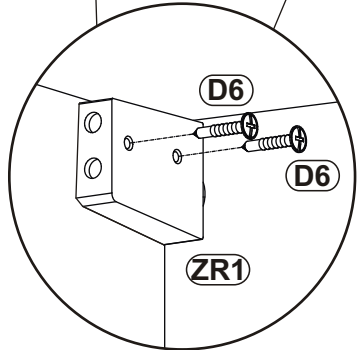
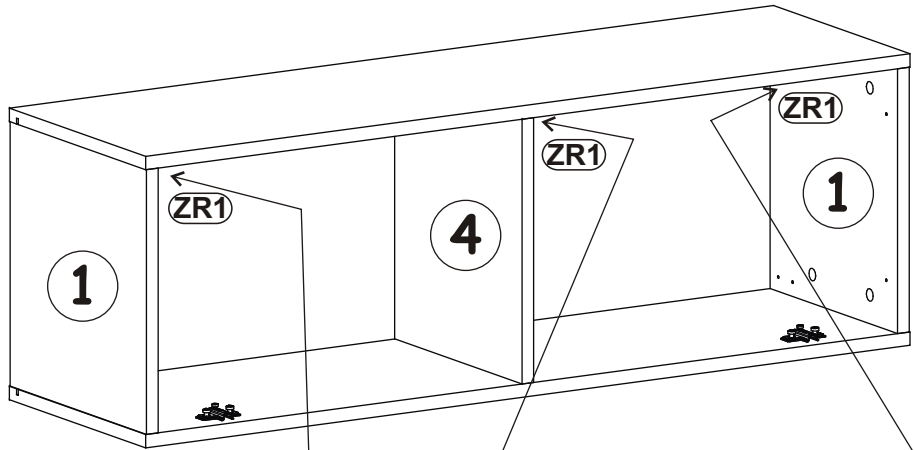
S1		G16		UP13	
x8		x2		x2	UPØ3x16

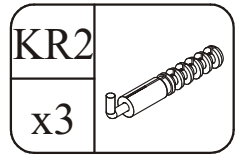
7



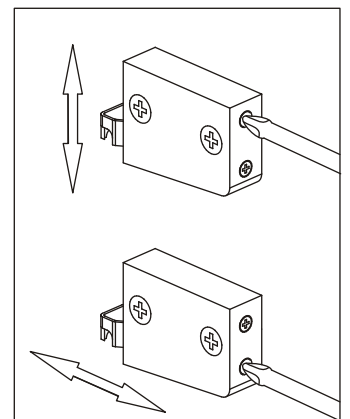
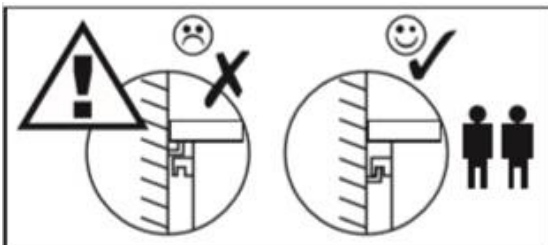
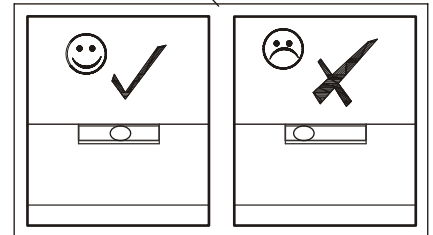
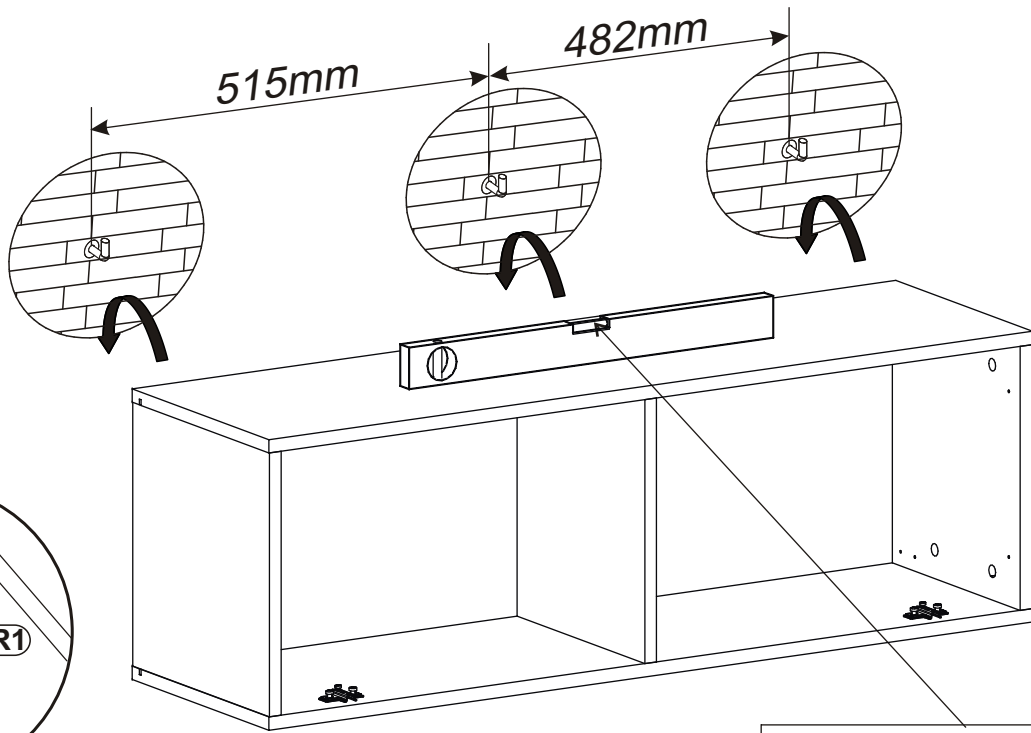
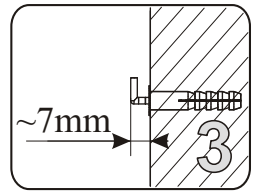
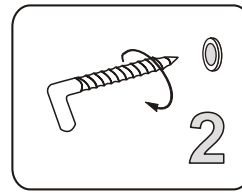
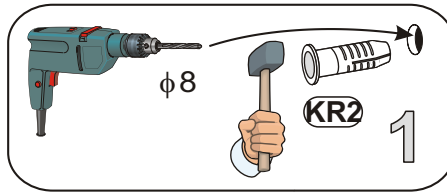
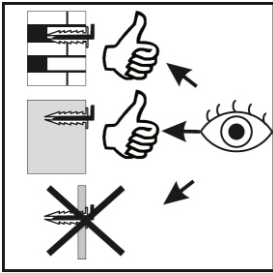
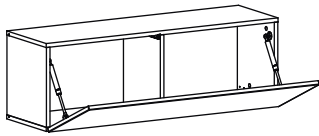
8

ZR1		D6	
x3		x6	USØ3,5x30



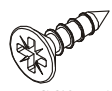




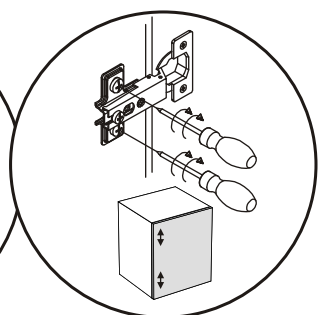
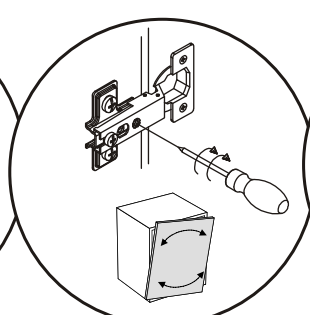
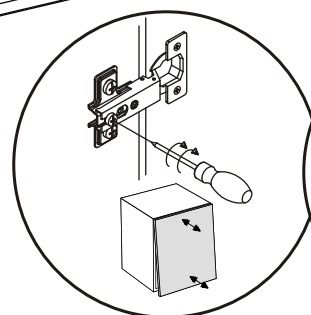
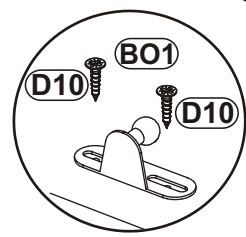
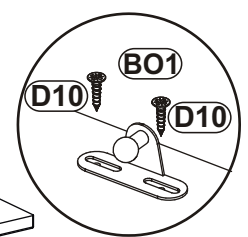
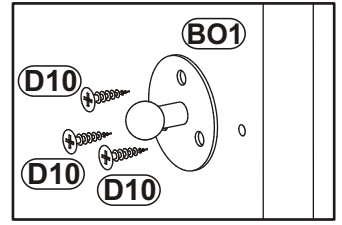
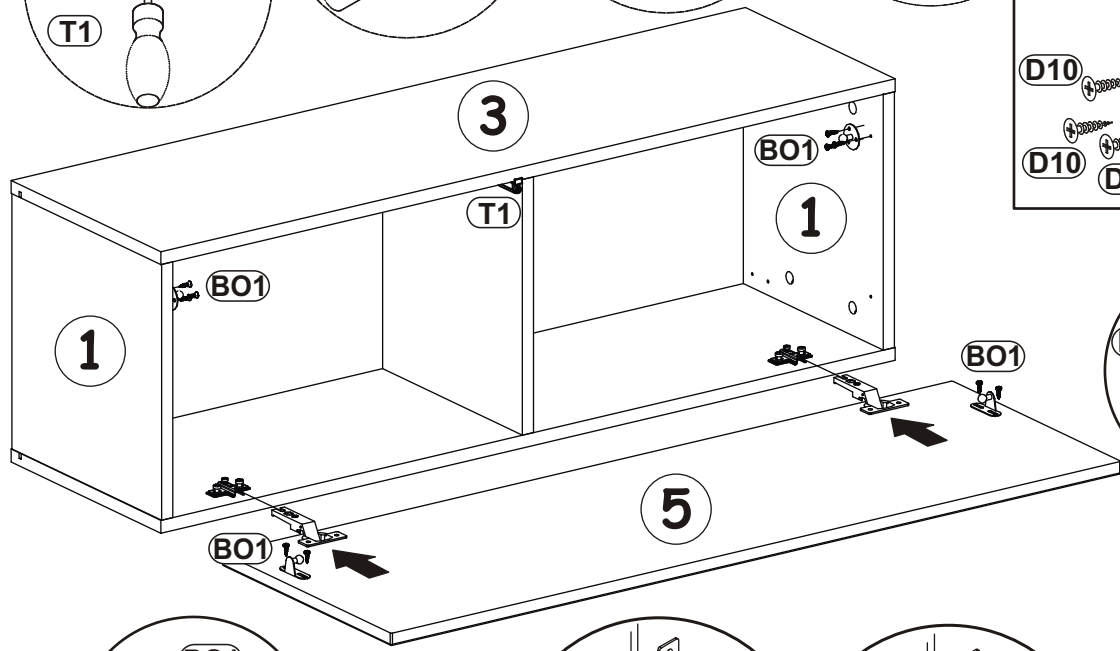
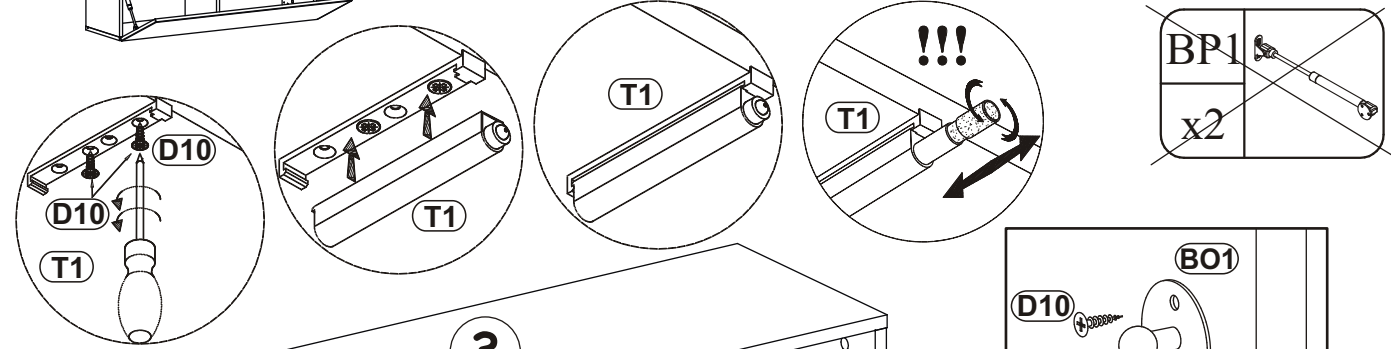
9




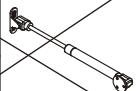
BLOX TYP 22

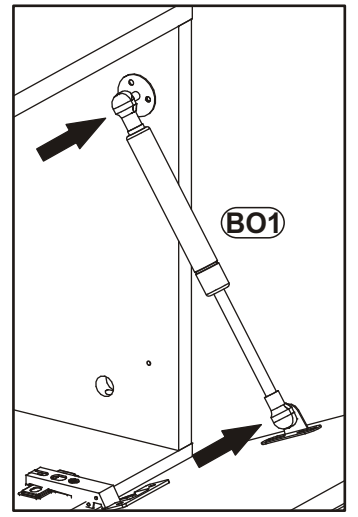
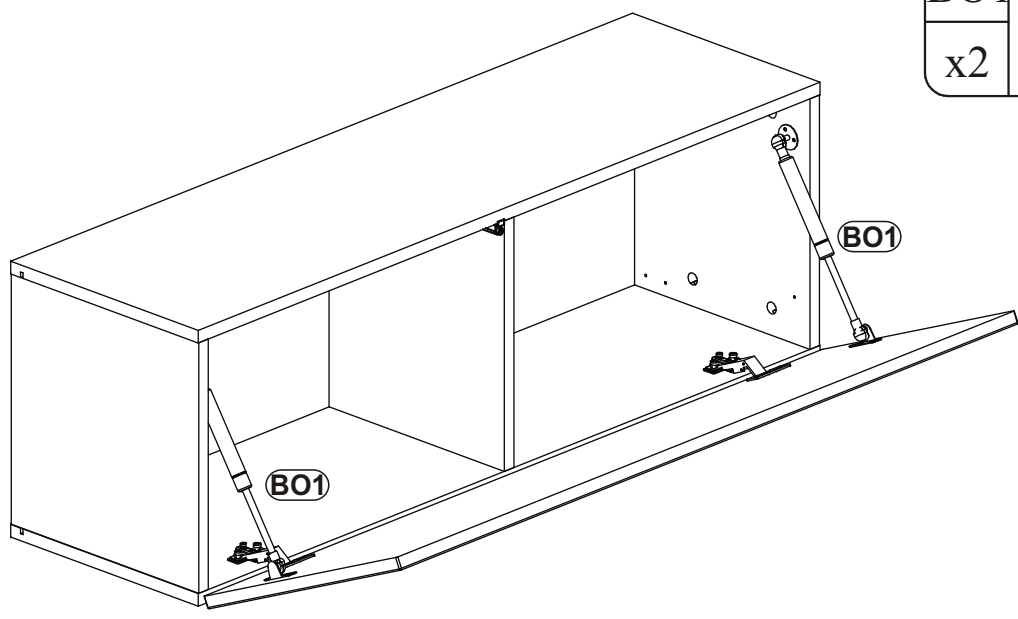
10

D10		T1		BO1	
x12	USØ3,5x13	x1		x2	

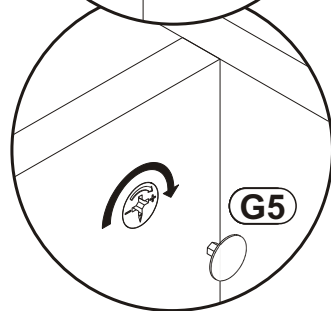
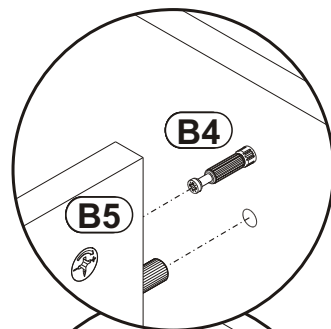
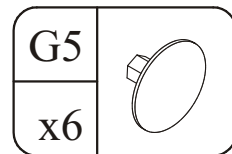
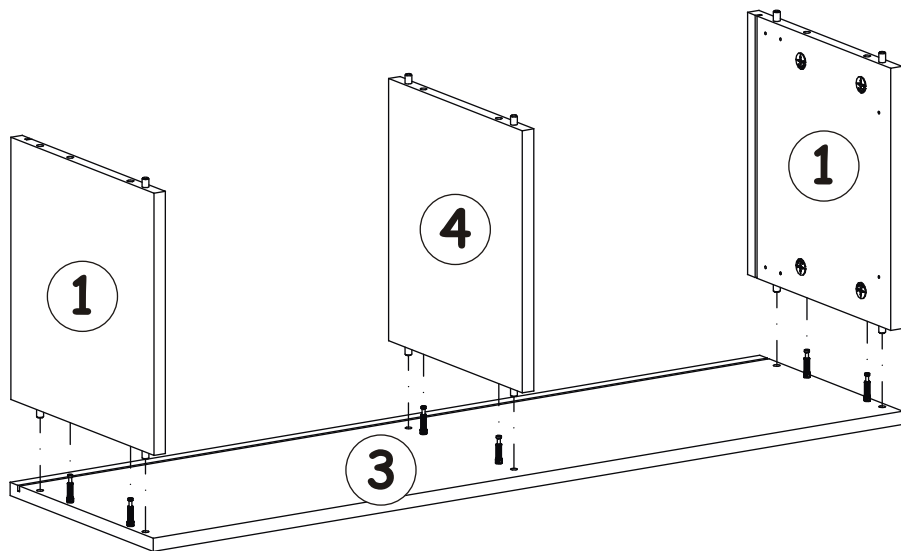
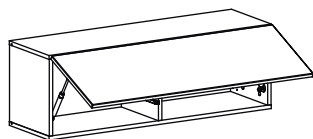


11

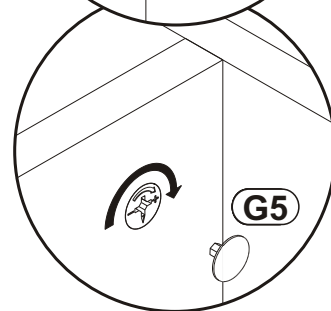
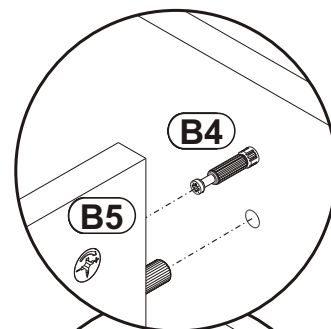
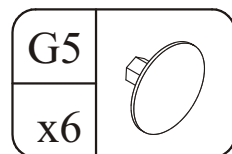
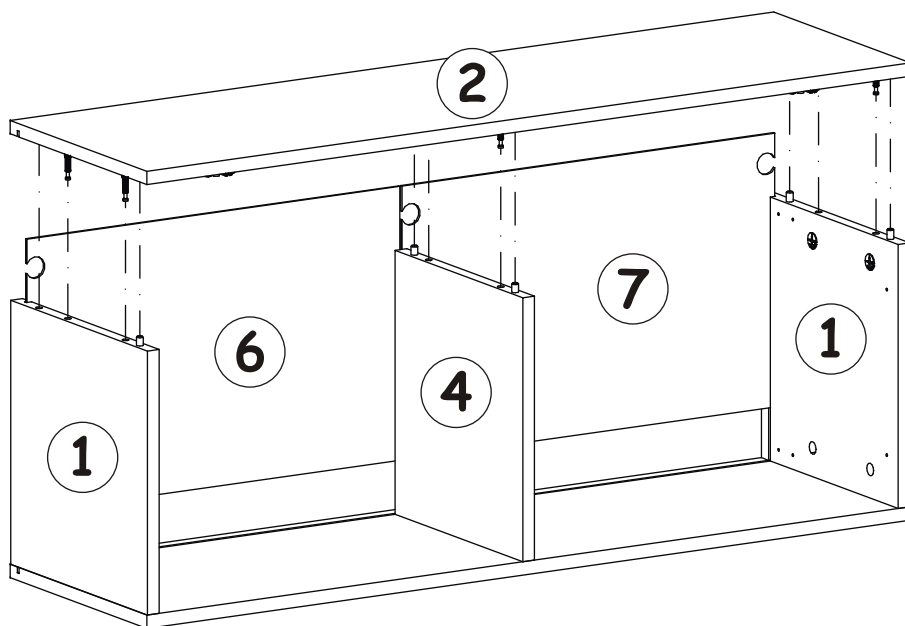
BO1		BP1	
x2		x2	



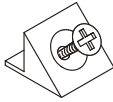
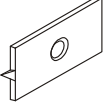

12



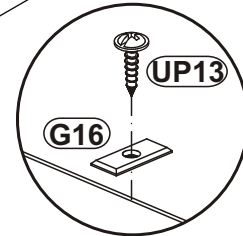
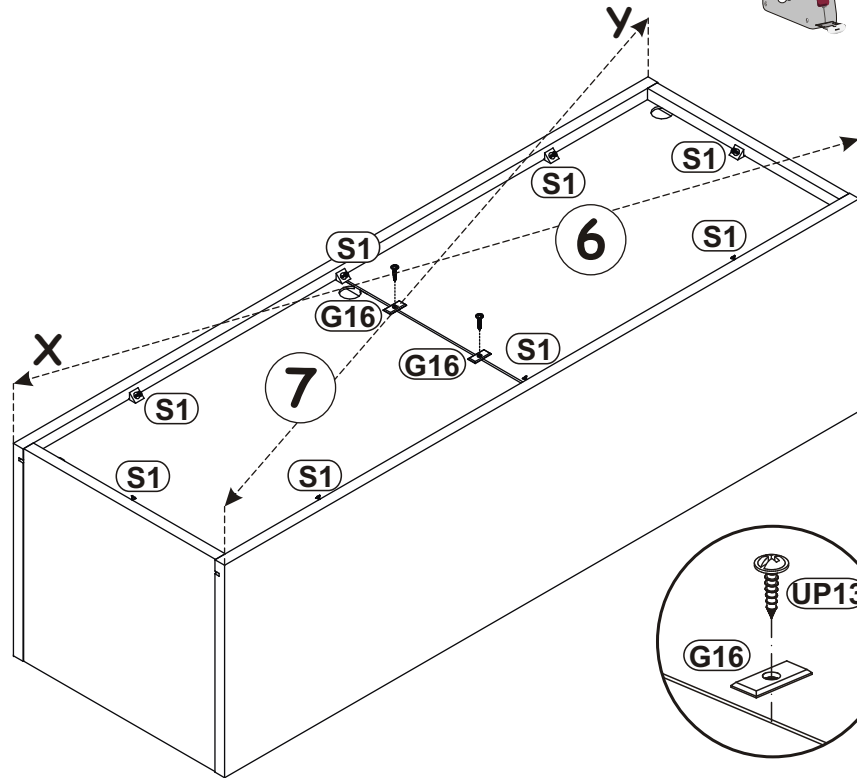
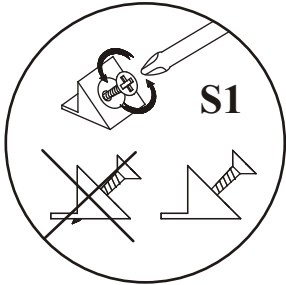
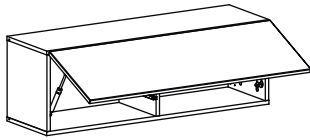
13



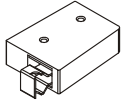

BLOX TYP 22

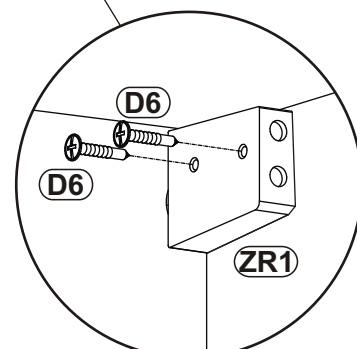
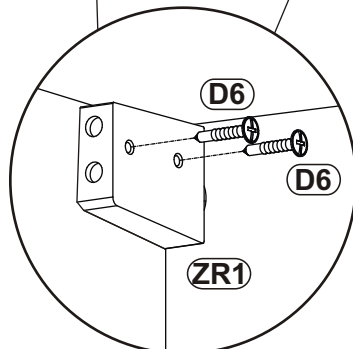
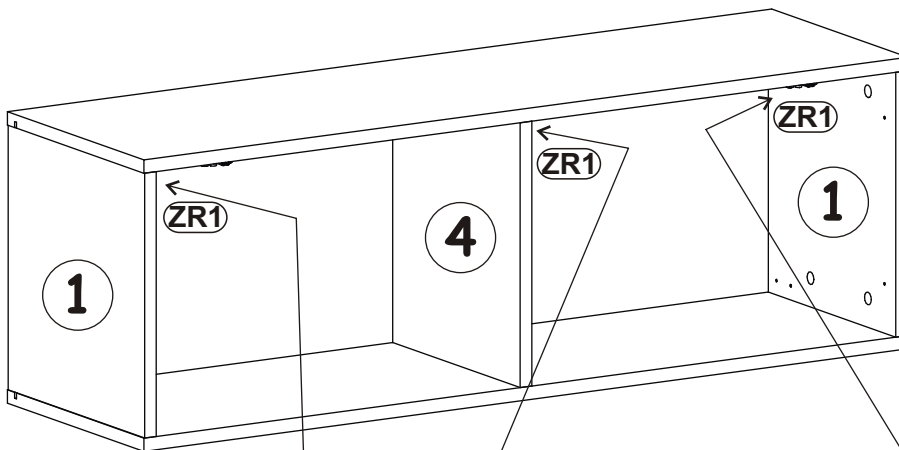
S1		G16		UP13	
x8		x2		x2	UPØ3x16

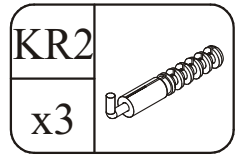
14



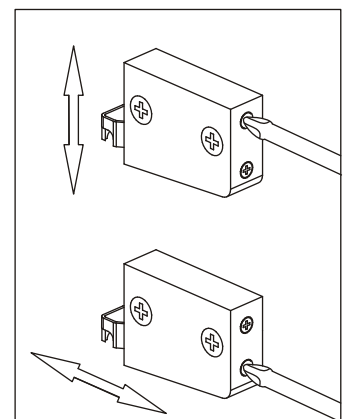
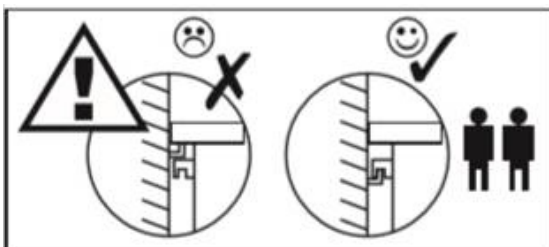
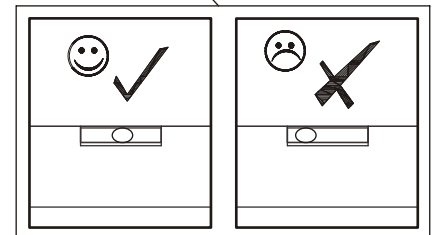
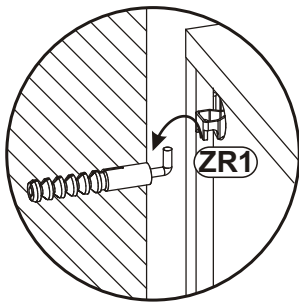
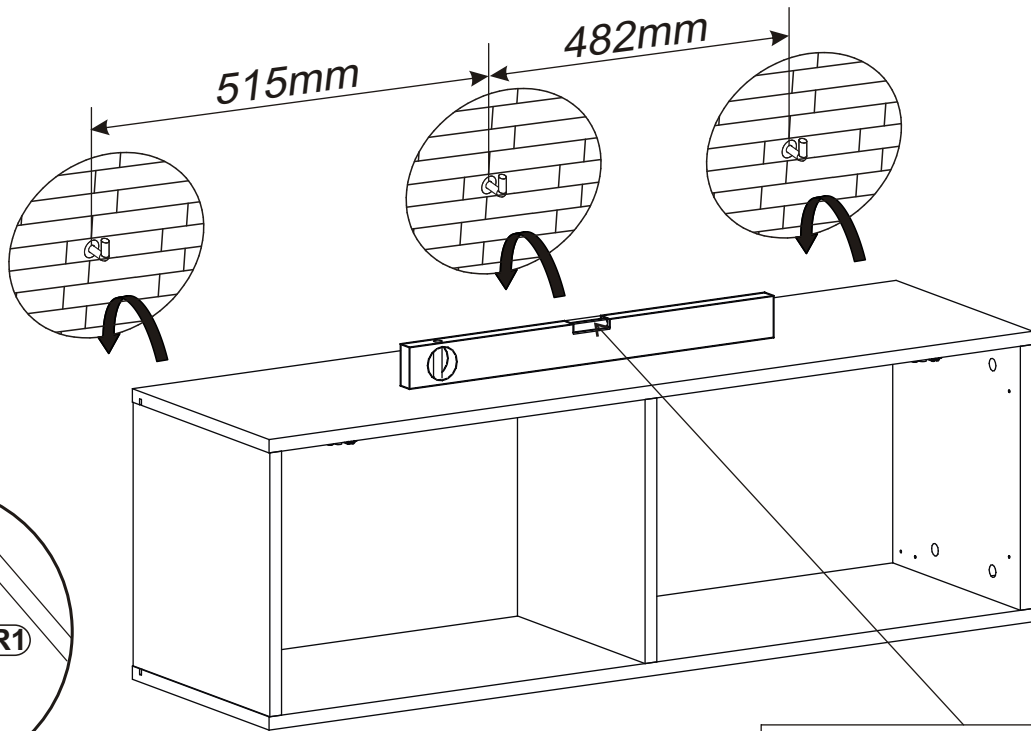
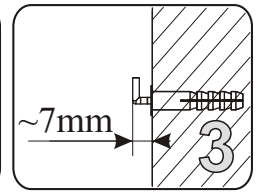
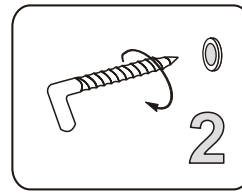
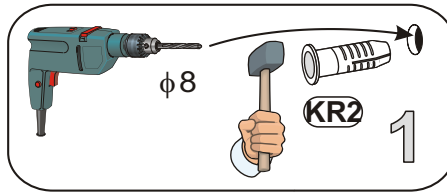
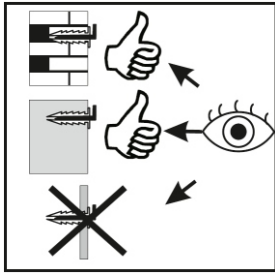
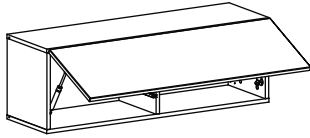
15

ZR1		D6	
x3		x6	USØ3,5x30

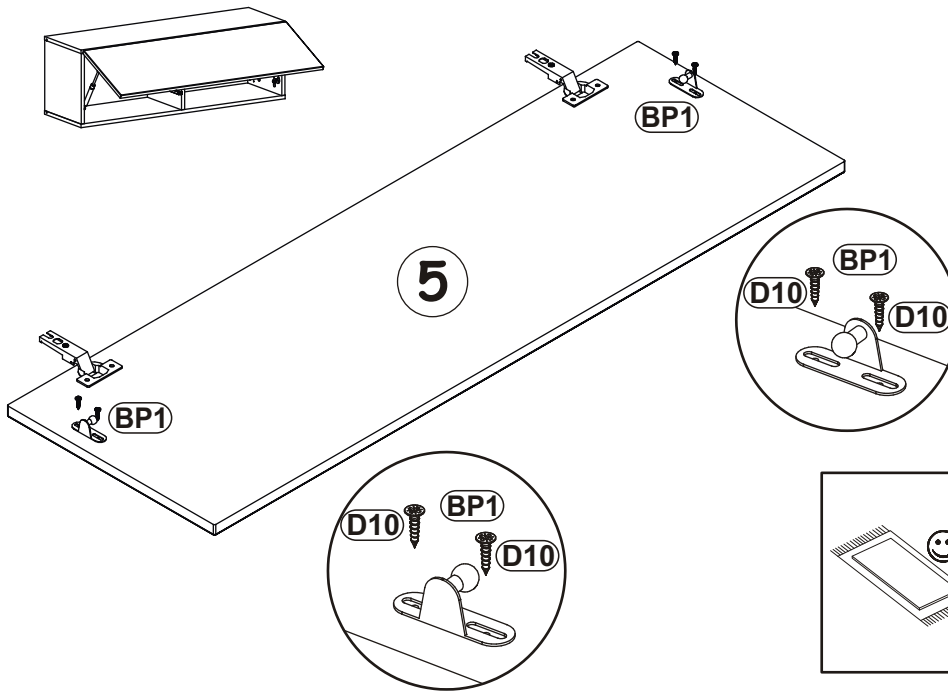




16



17

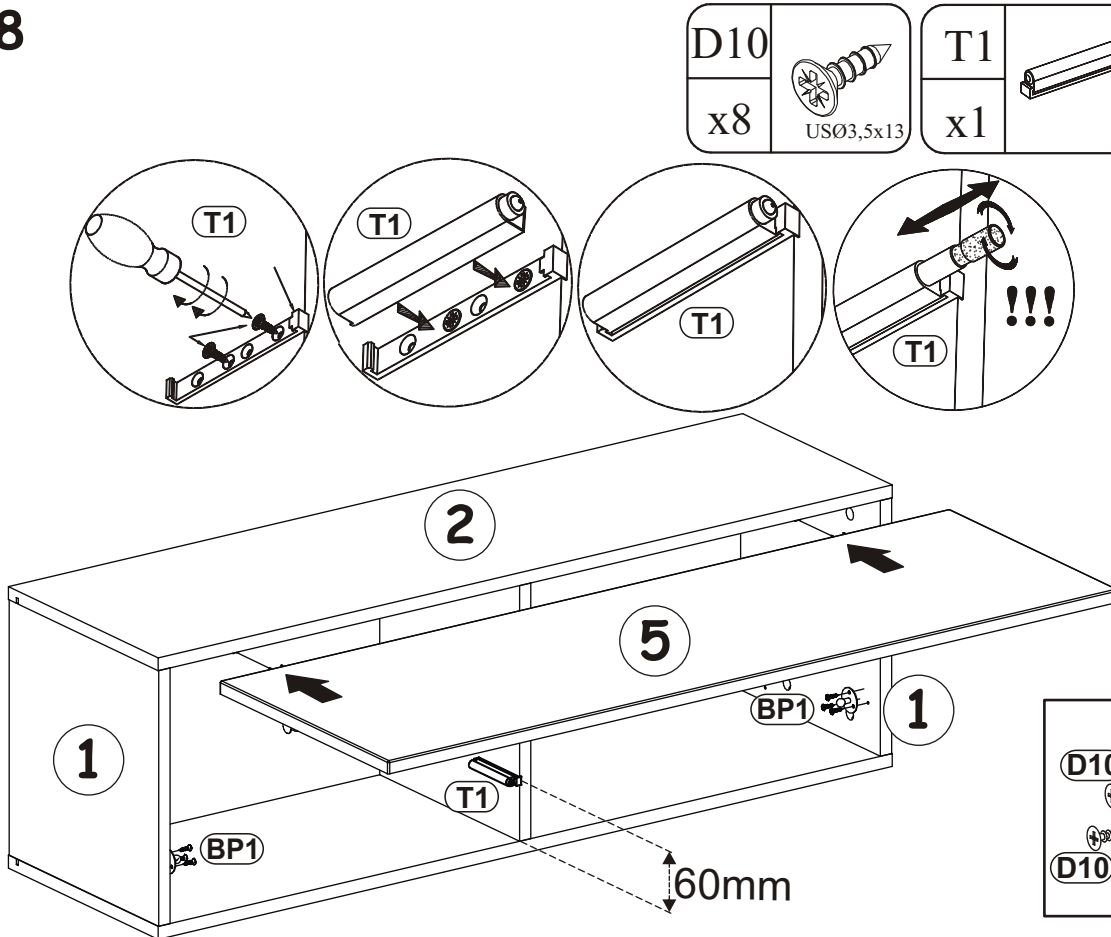


D10	
x4	USØ3,5x13

BP1	
x2	

BQ1	
x2	

18

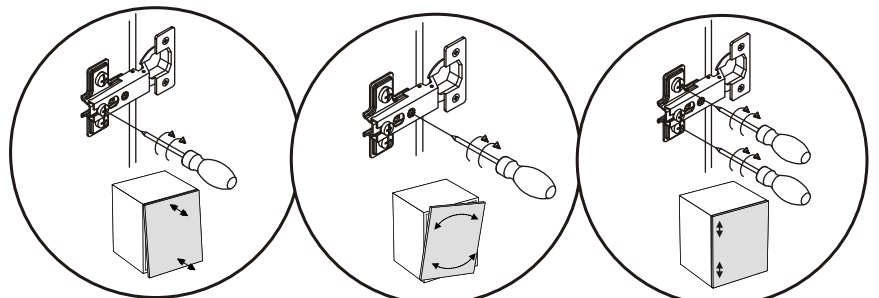


D10	
x8	USØ3,5x13

T1	
x1	

BP1	
x2	

BQ1	
x2	



19

