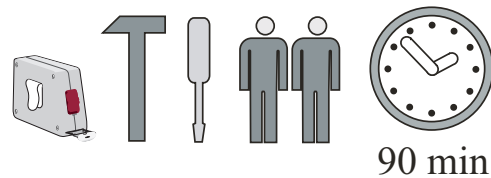
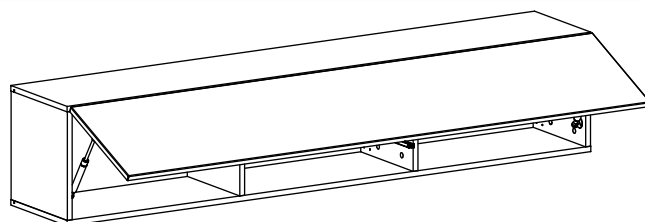
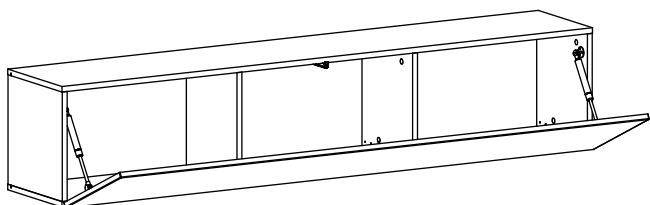
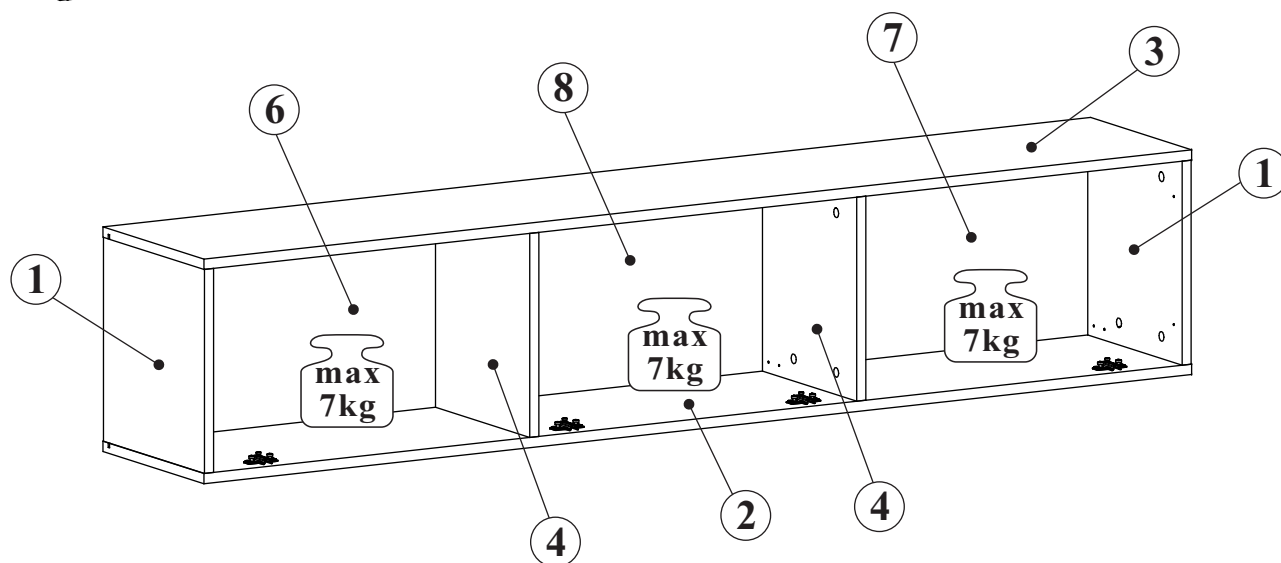
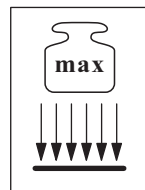
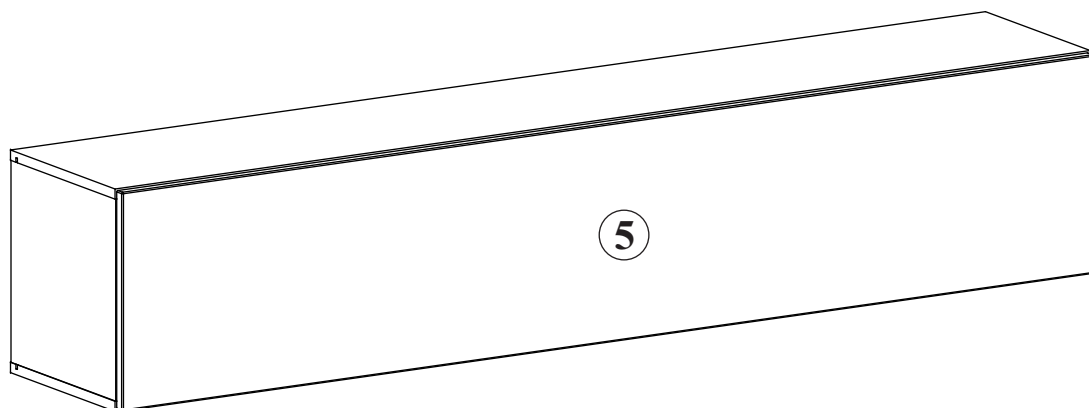


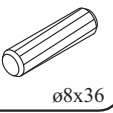
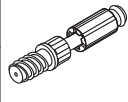


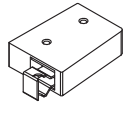

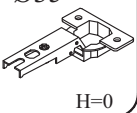
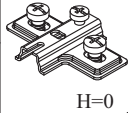

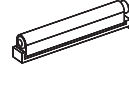

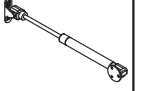
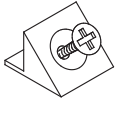
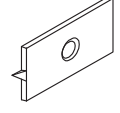

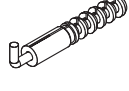

# BLOX TYP 24

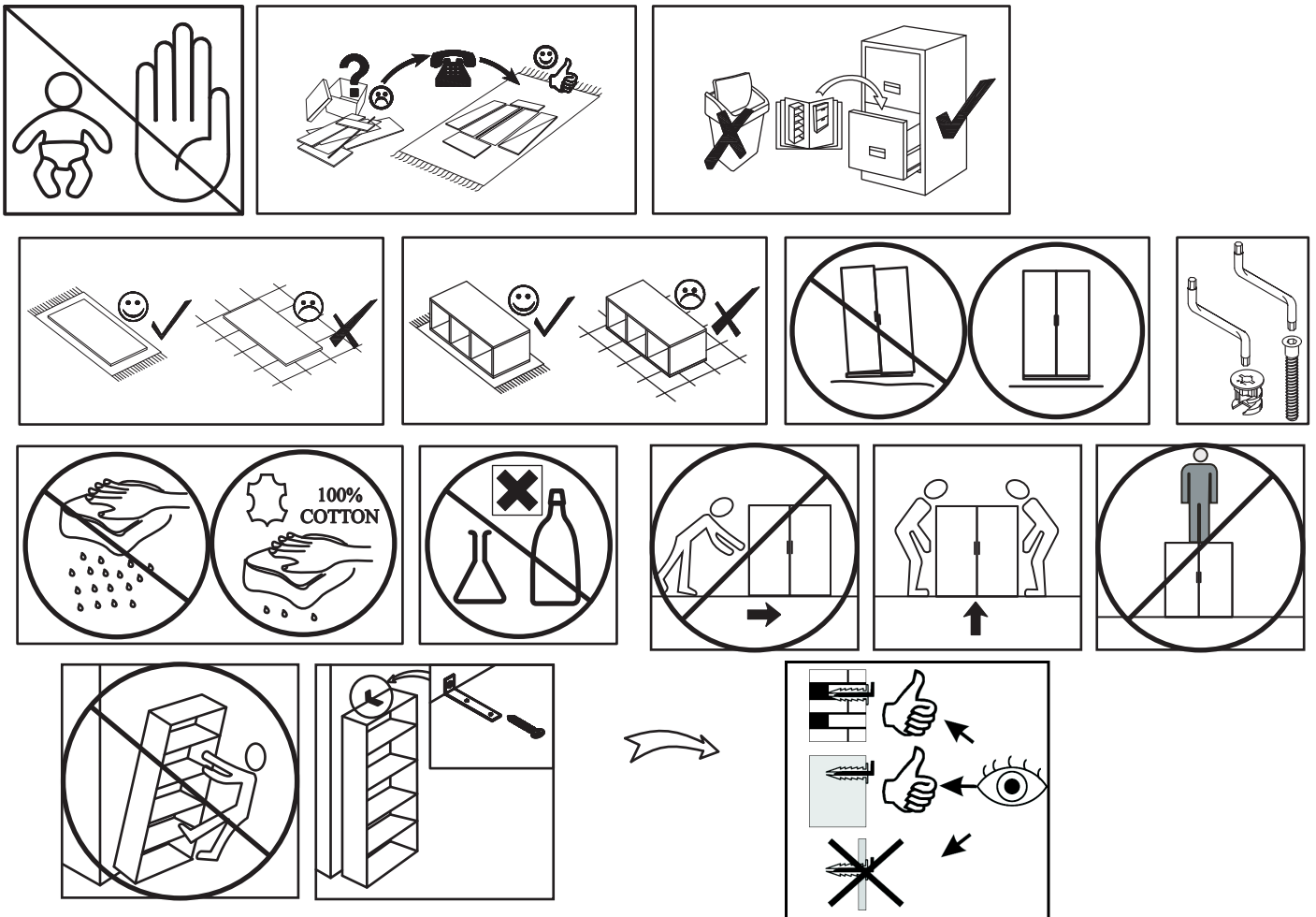
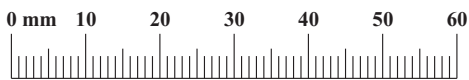


90 min

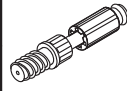
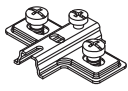
NO	Dim.		Col.-No	Qty
1	317	304	1	2
2	1749	304	1	1
3	1749	304	1	1
4	317	284	1	2
5	1743	343	1	1
6	329	573	1	1
7	329	573	1	1
8	329	575	1	1

# BLOX TYP 24

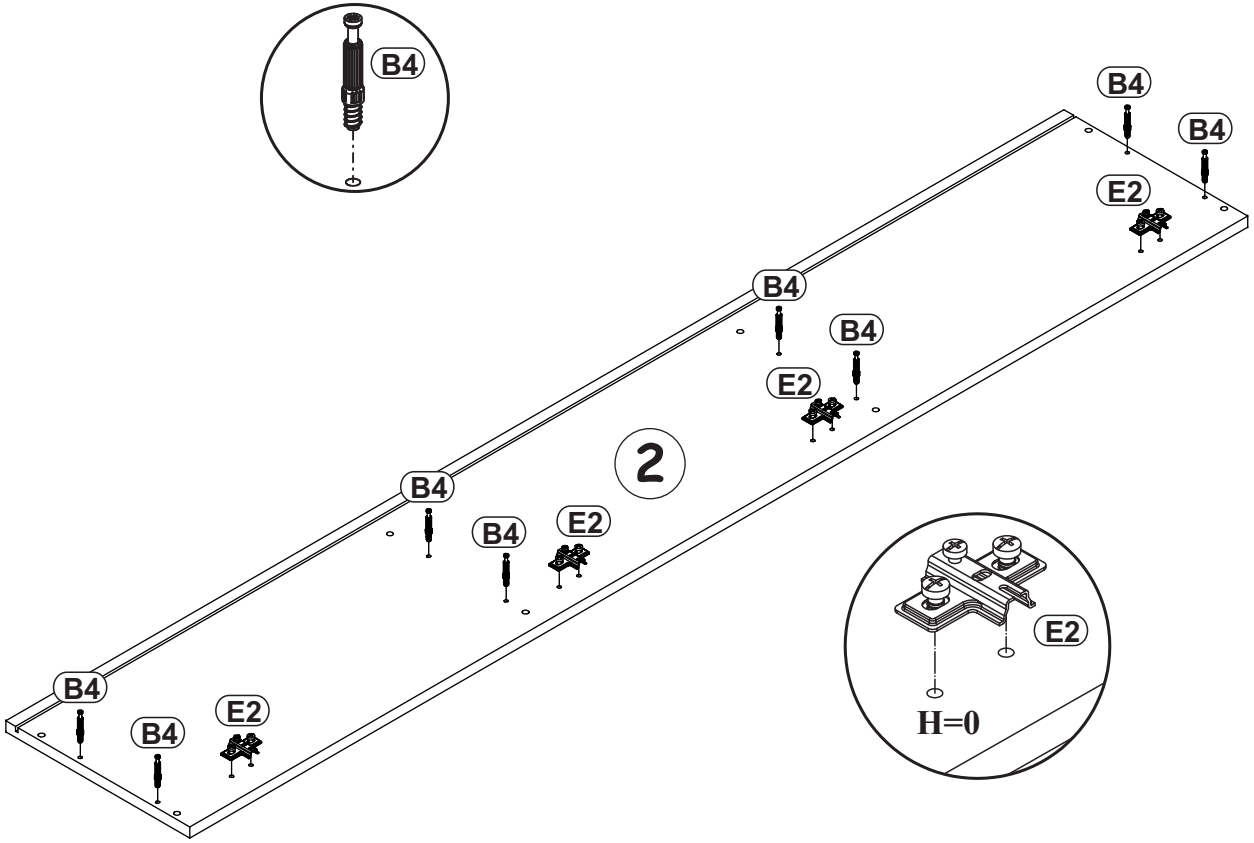
A1 x16  ø8x36	B4 x16 	B5 x16  Ø15x12	G5 x16 	ZR1 x4 	D6 x8  USØ3,5x30
E21 x4  Ø35 H=0	E2 x4  H=0	D10 x30  USØ3,5x13	T1 x1 	BO1 x2 	BP1 x2 
S1 x14 	G16 x4 	UP13 x4  UPØ3x16	KR2 x4 	G2 x1 	



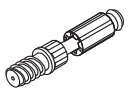
BLOX TYP 24

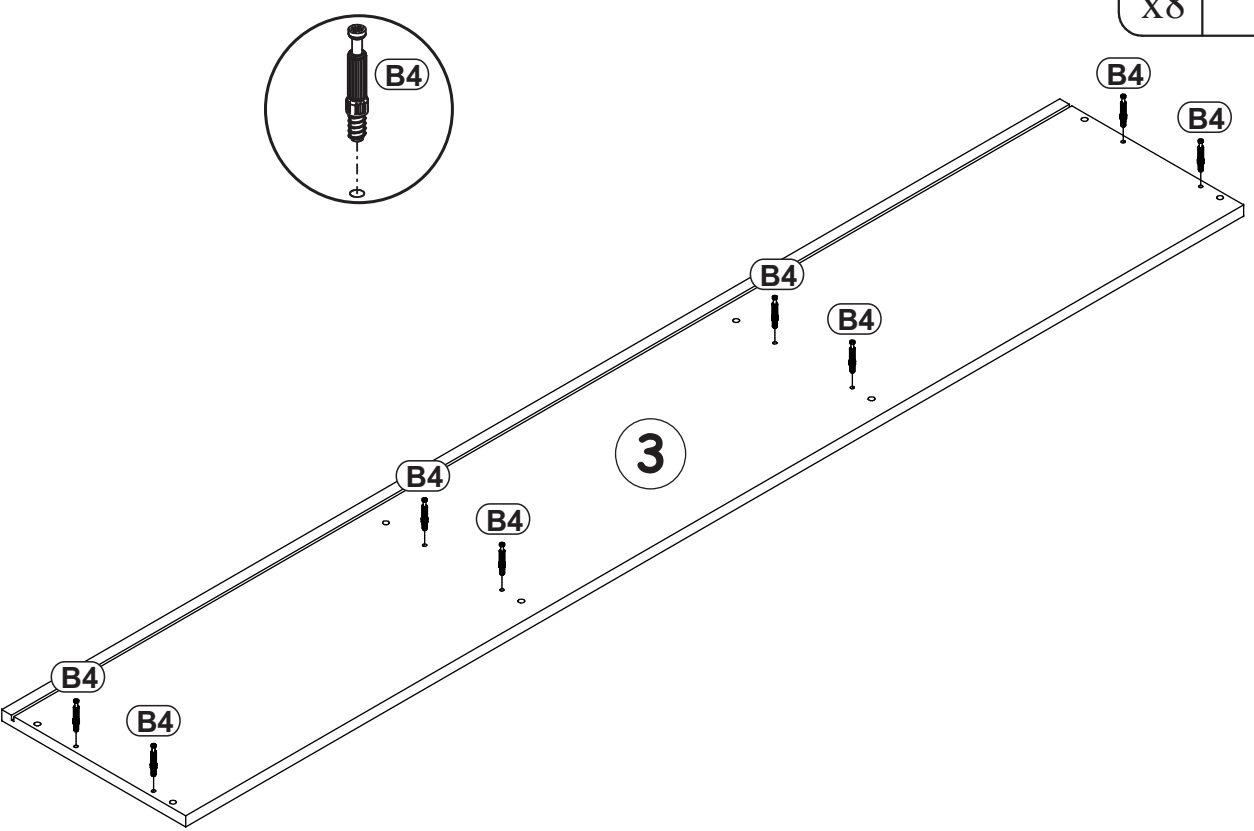
B4		E2	
x8		x4	H=0

1

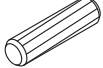
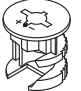


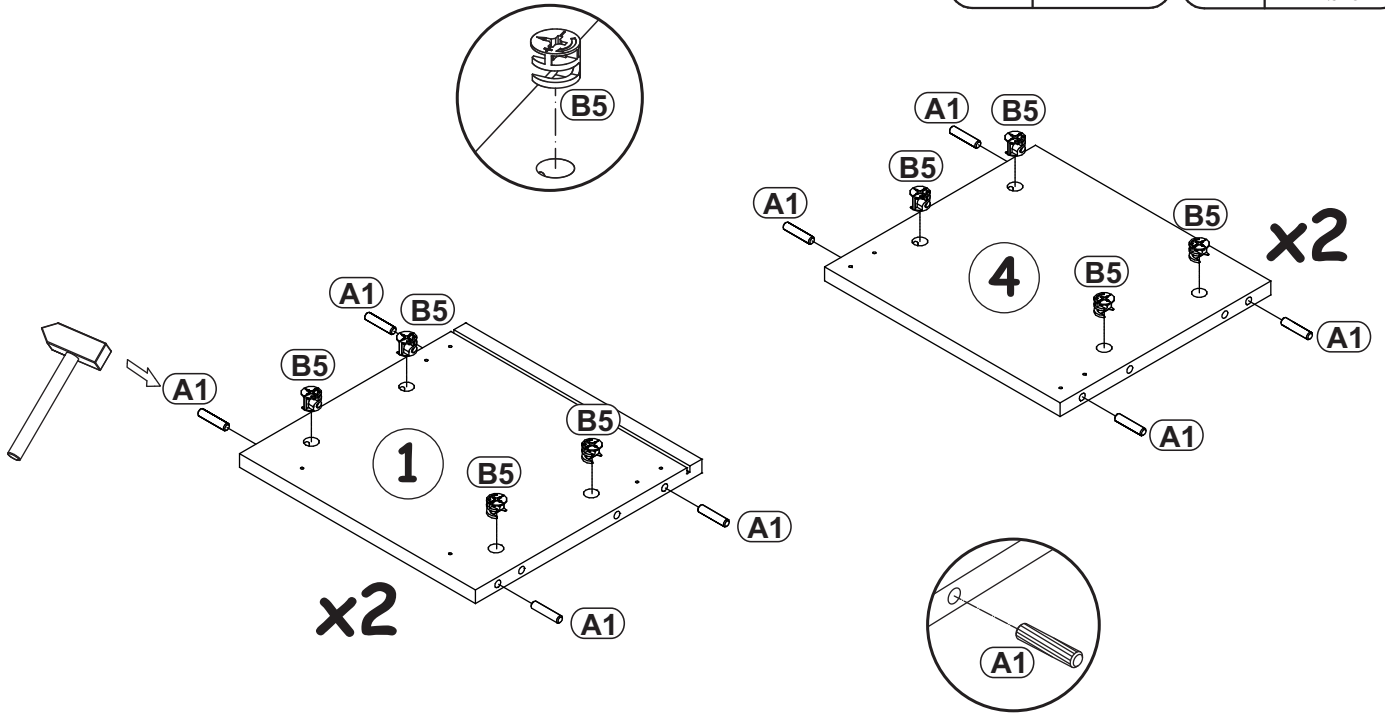
2

B4	
x8	

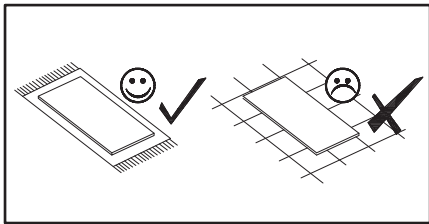


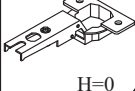

3

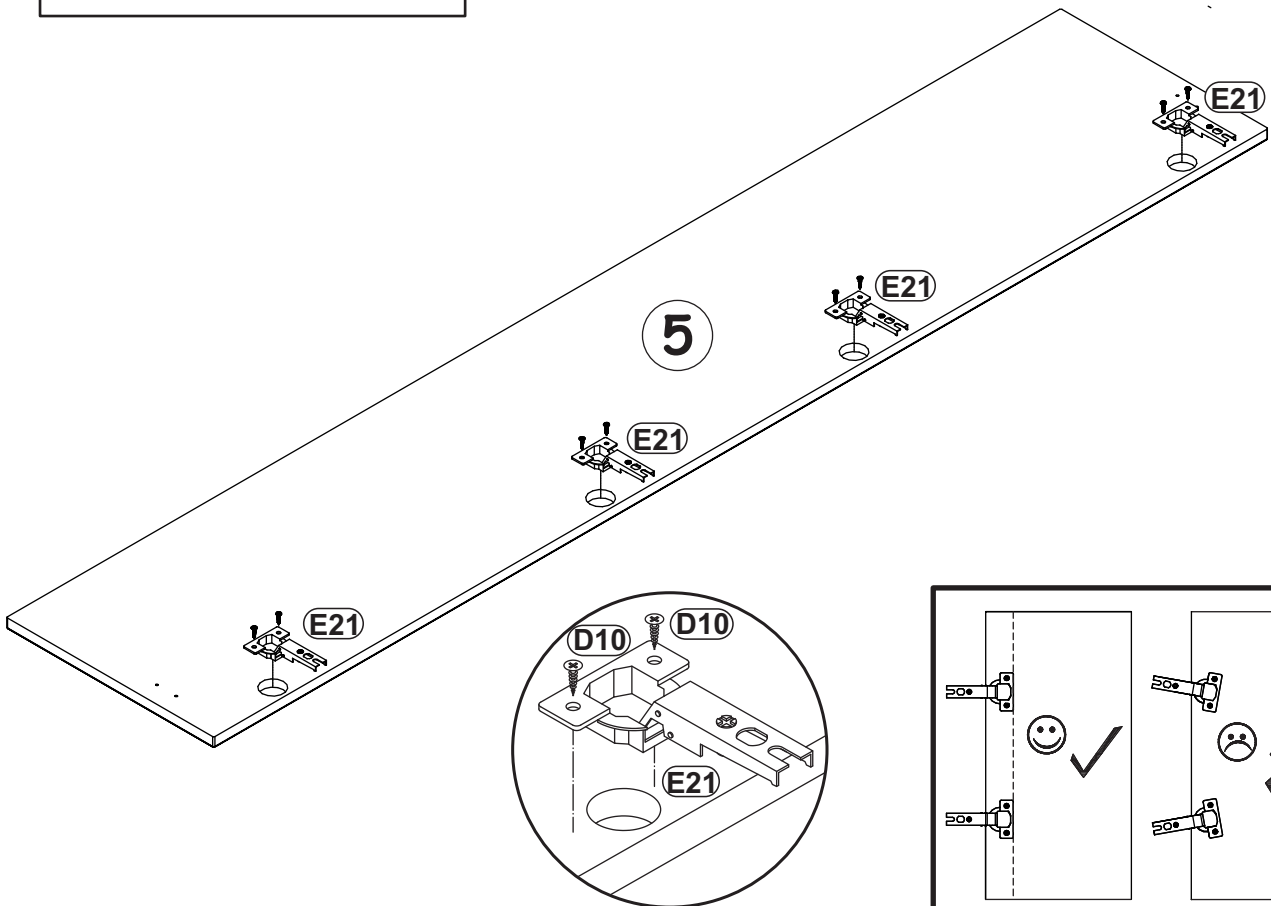
A1		B5	
x16	ø8x36	x16	Ø15x12



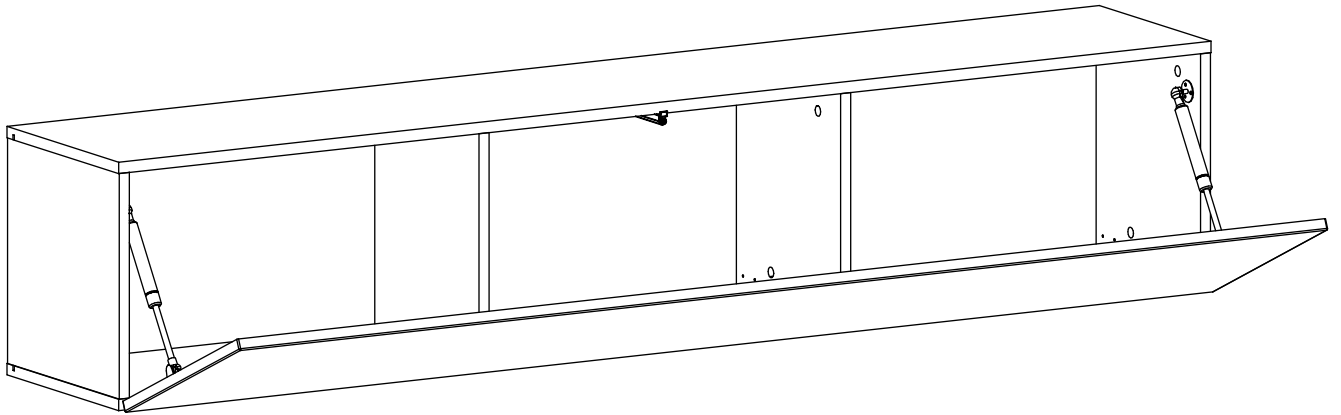
4



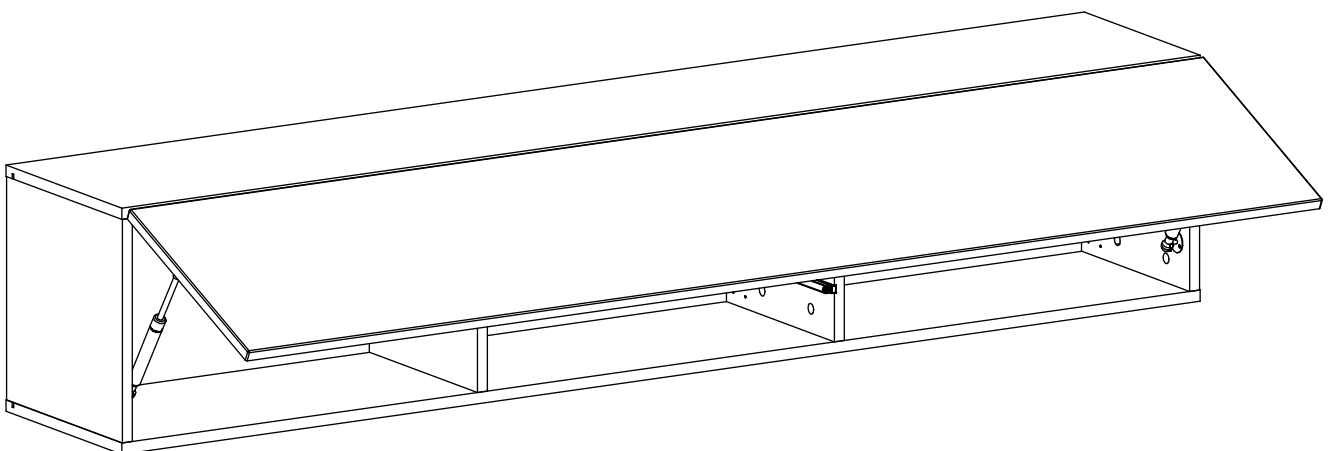
E21		D10	
x4	Ø35 H=0	x8	USØ3,5x13

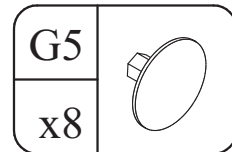


**5 - 11**

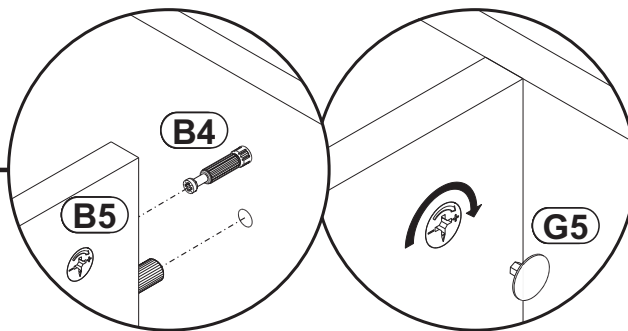
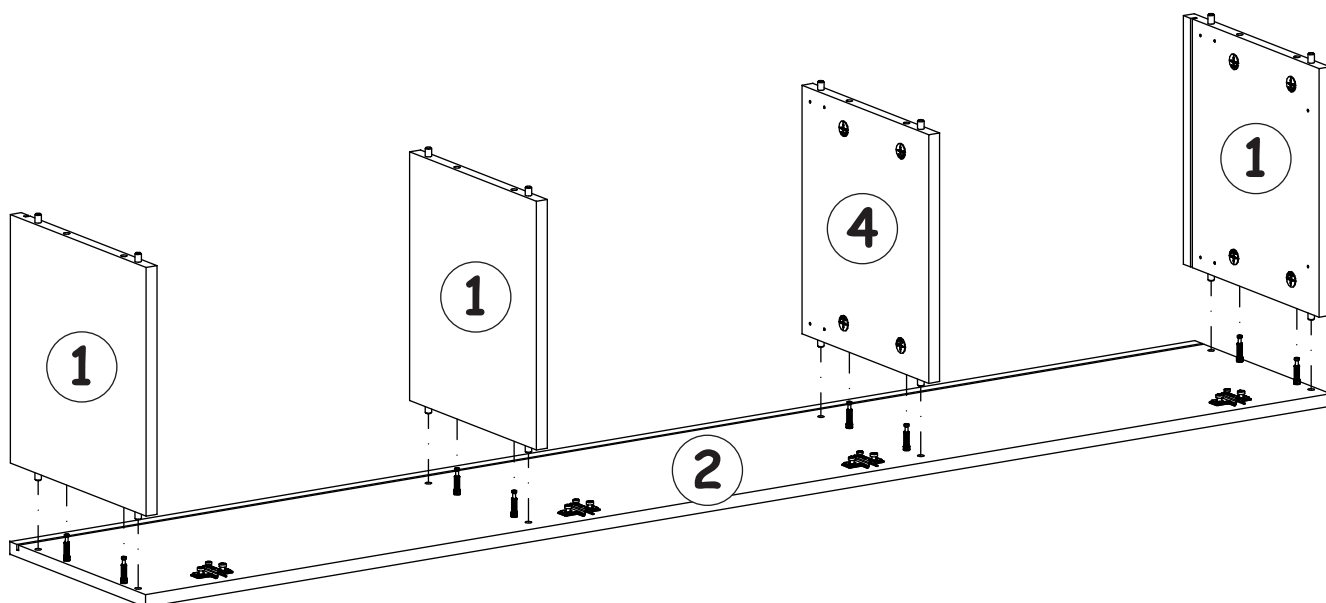
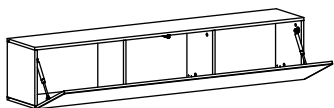


**12 - 19**

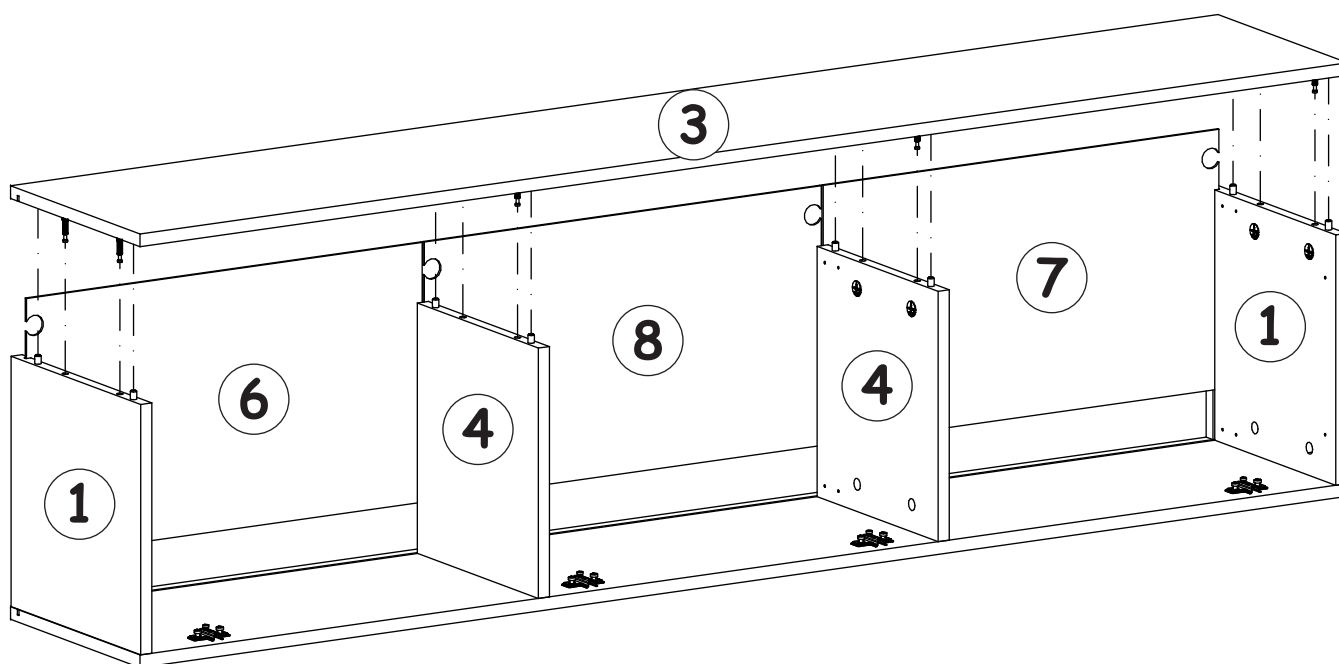
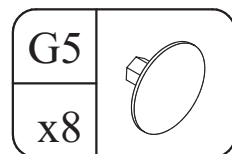




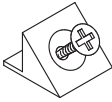
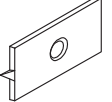
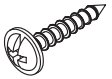
5



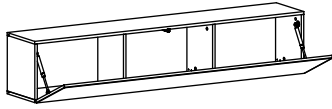
6



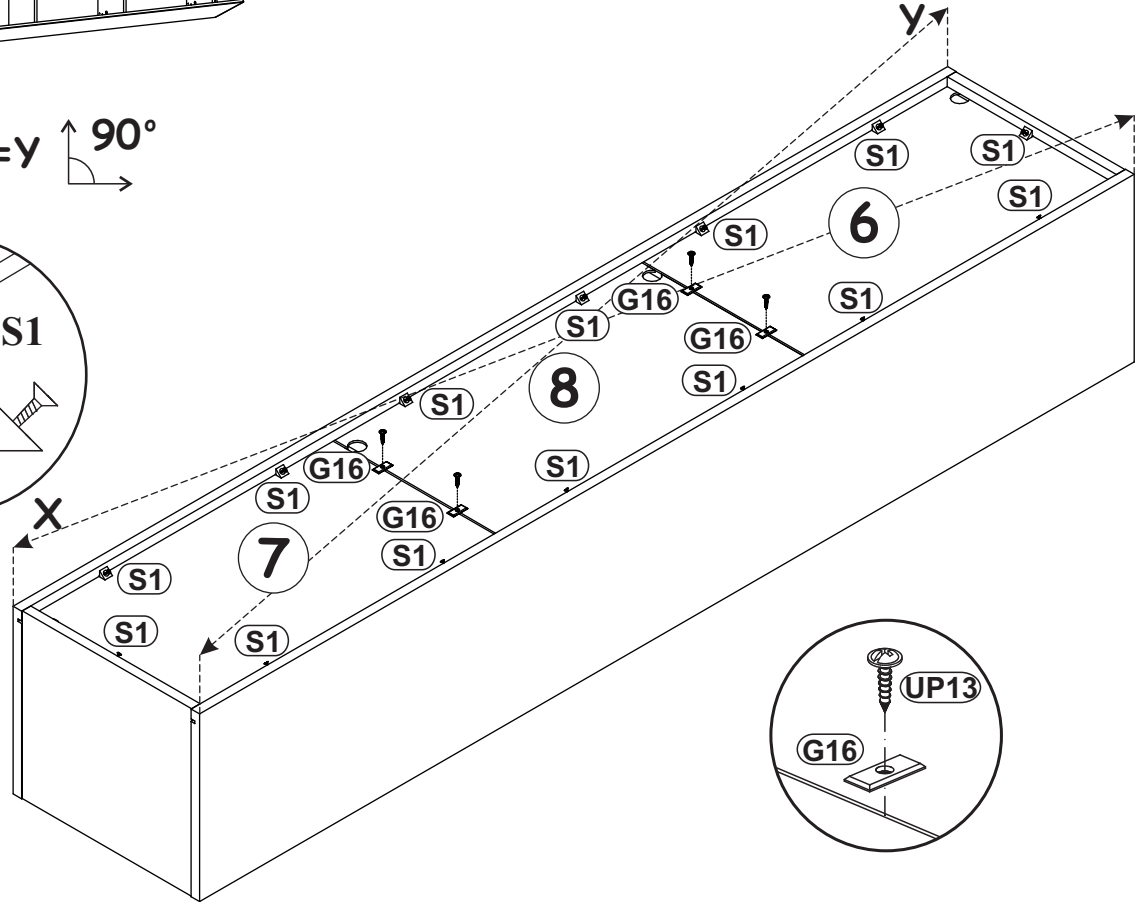
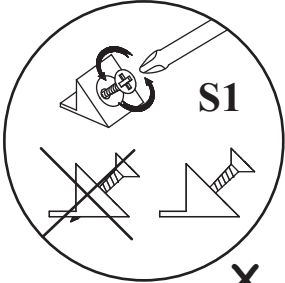
BLOX TYP 24

S1		G16		UP13	
x14		x4		x4	UPØ3x16

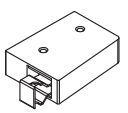

7

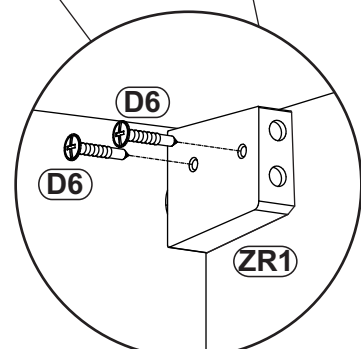
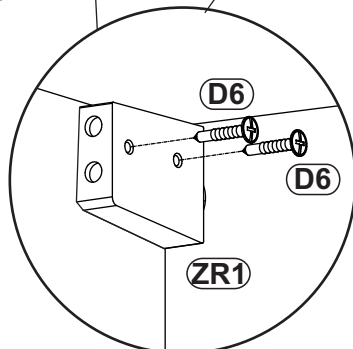
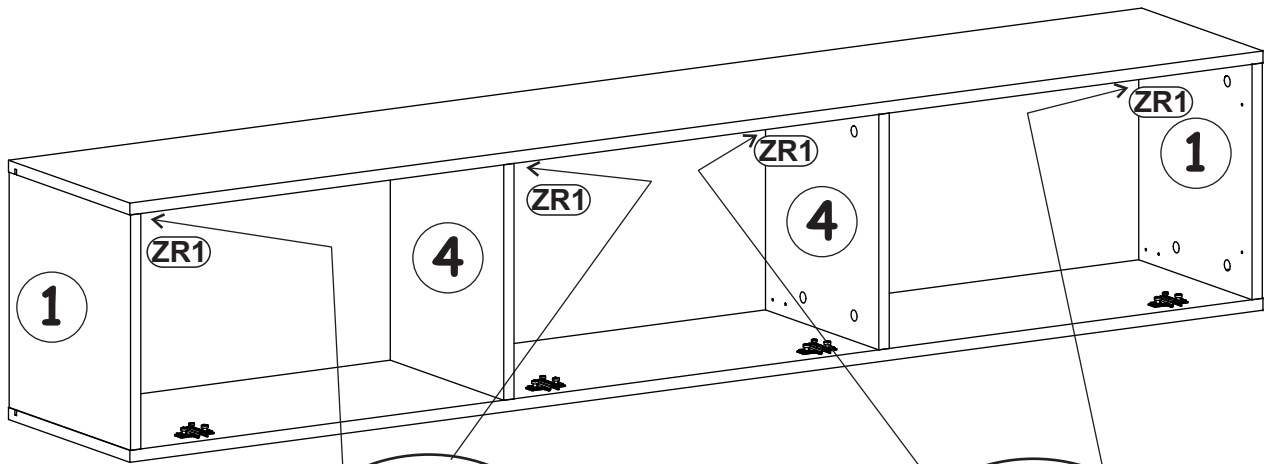


X=Y 90°

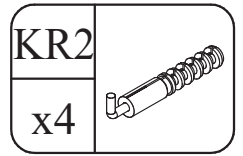


8

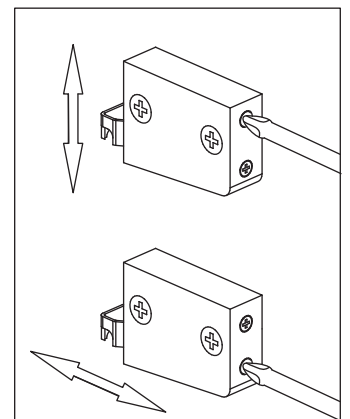
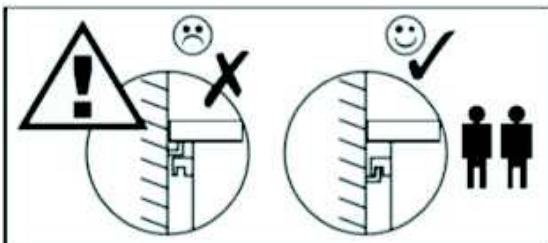
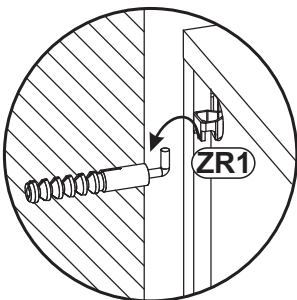
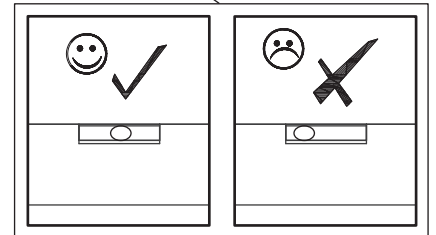
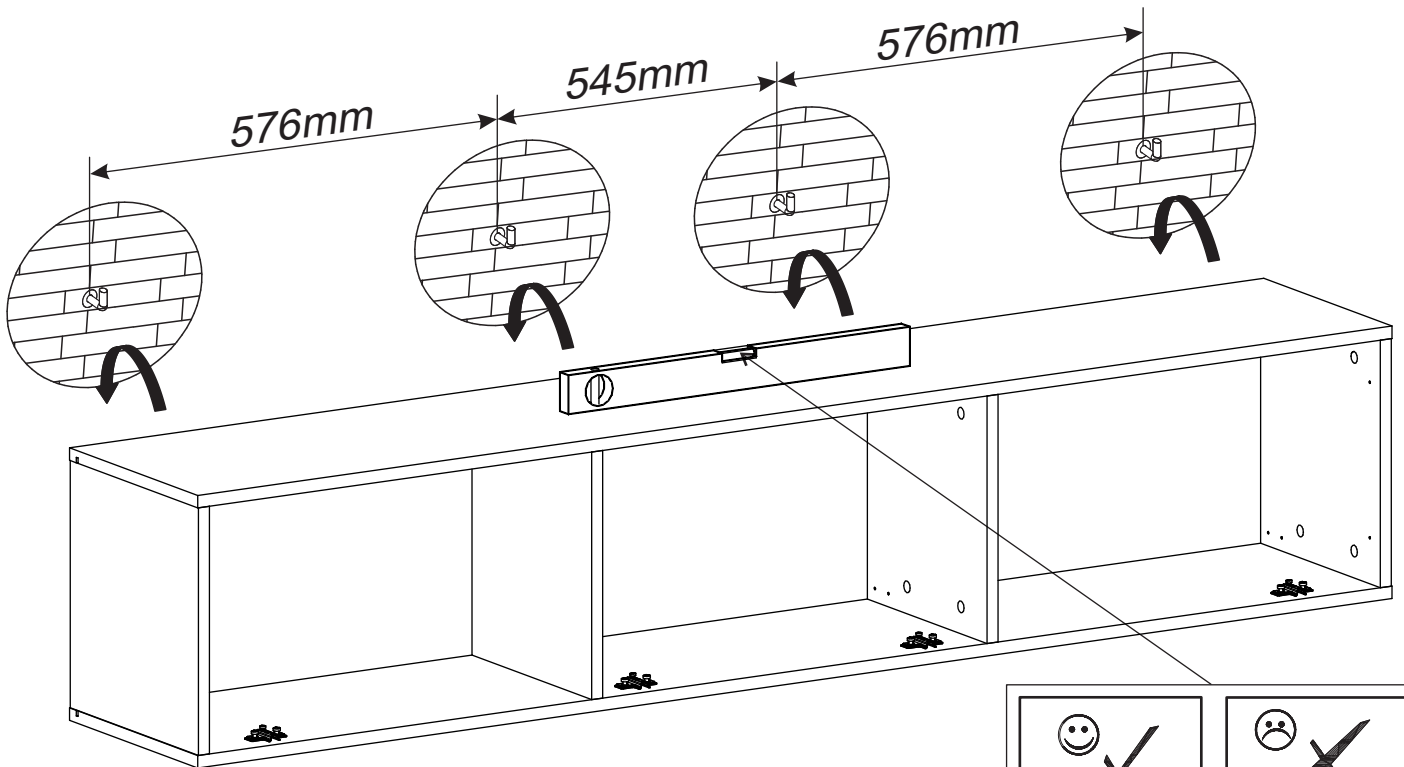
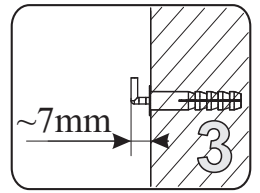
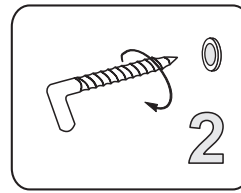
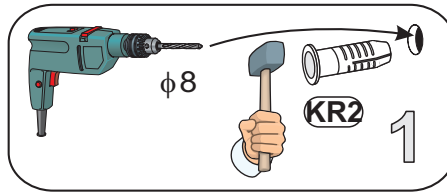
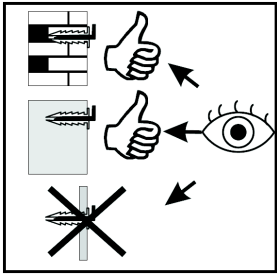
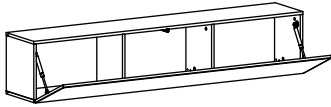
ZR1		D6	
x4		x8	USØ3,5x30



BLOX TYP 24



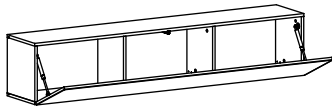
9

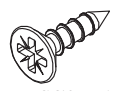






BLOX TYP 24

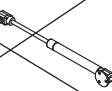
10

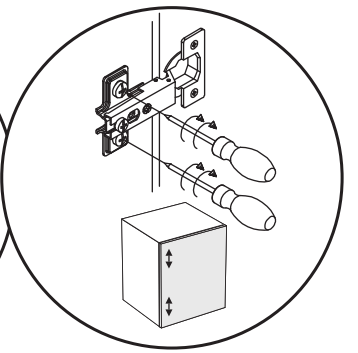
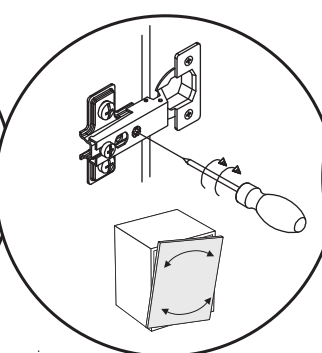
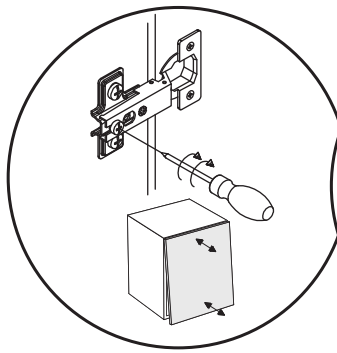
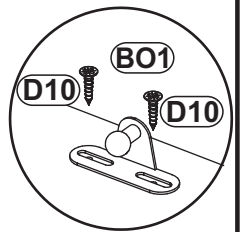
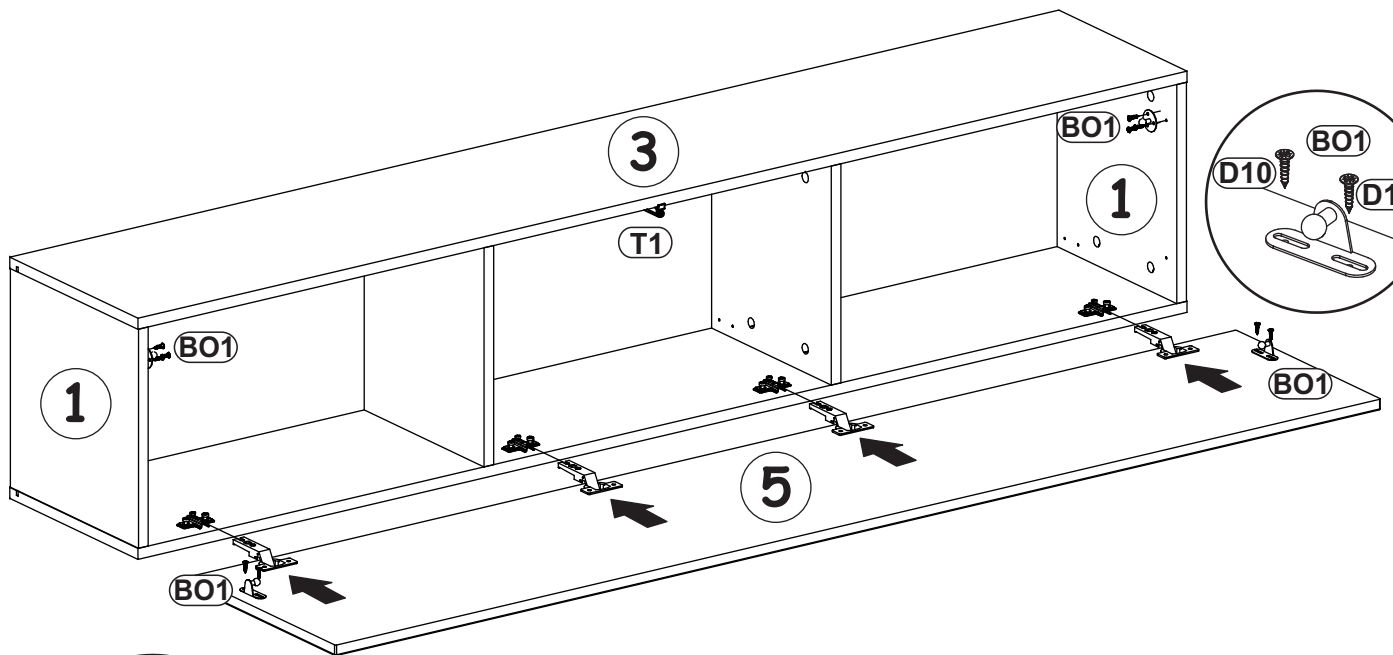
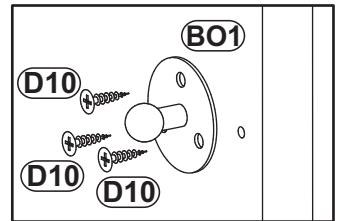
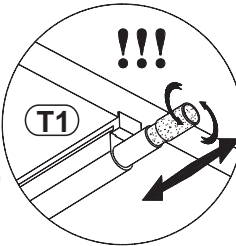
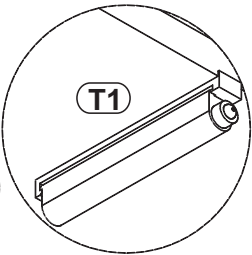
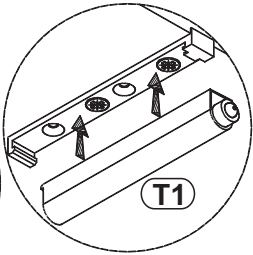
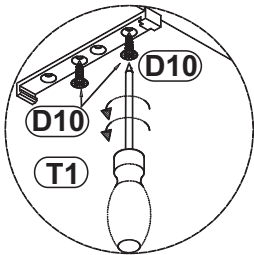


D10	
x12	USØ3,5x13

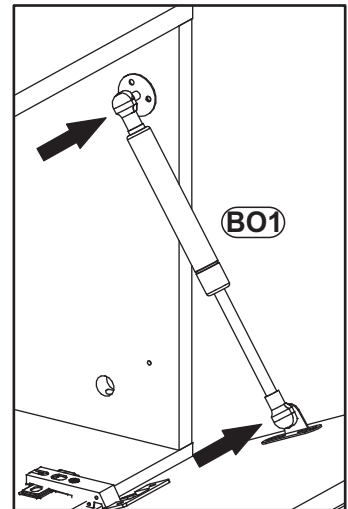
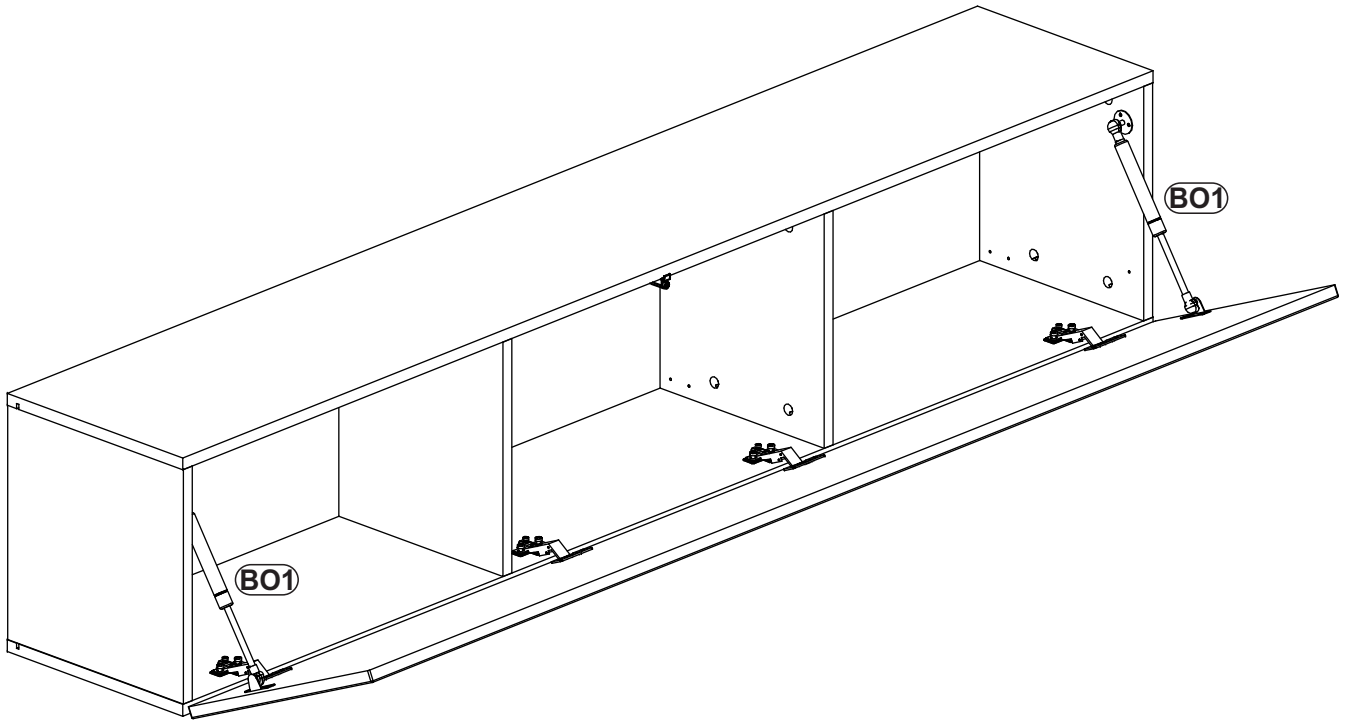
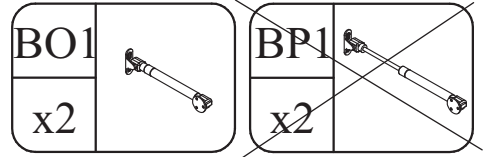
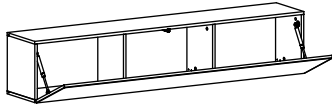
T1	
x1	

BO1	
x2	

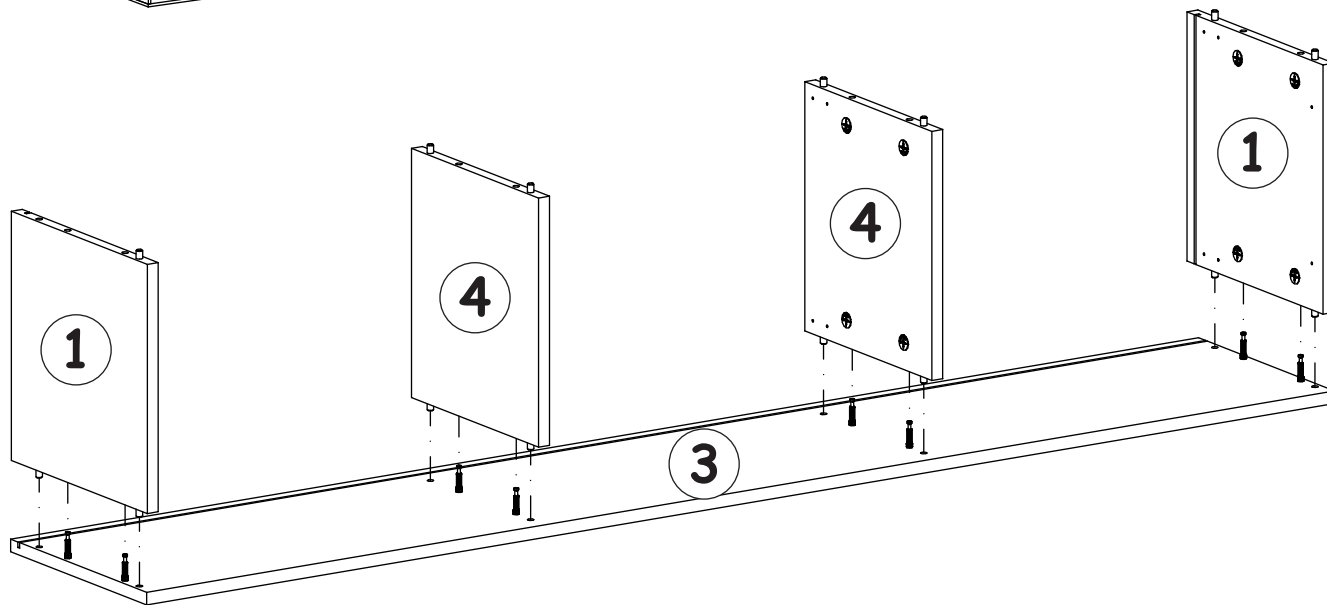
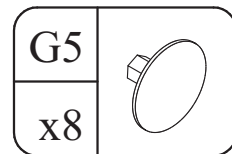
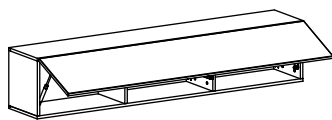
<del>BP1</del>	<del></del>
<del>x2</del>	



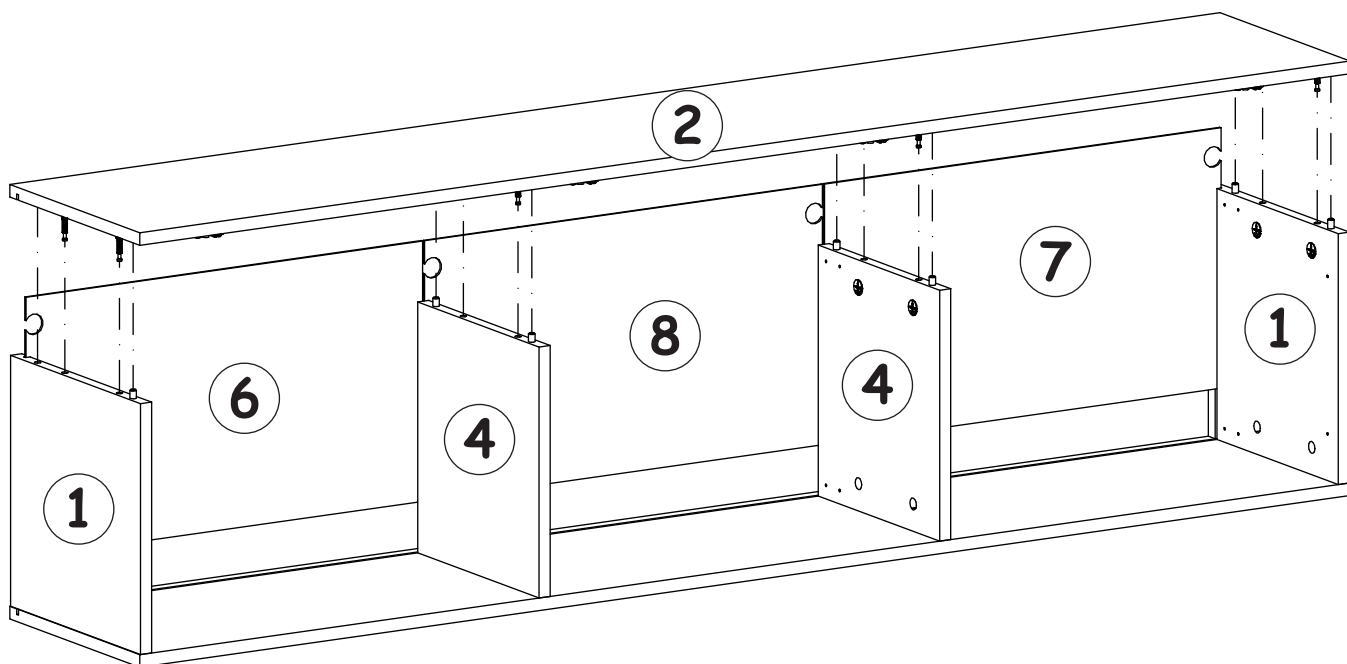
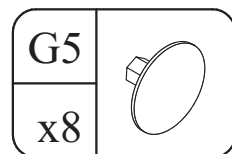
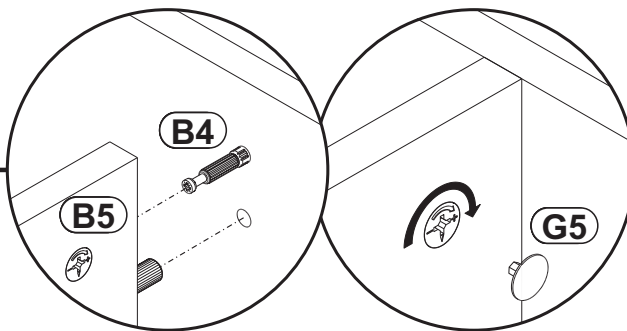
11



12

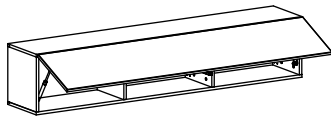


13



BLOX TYP 24

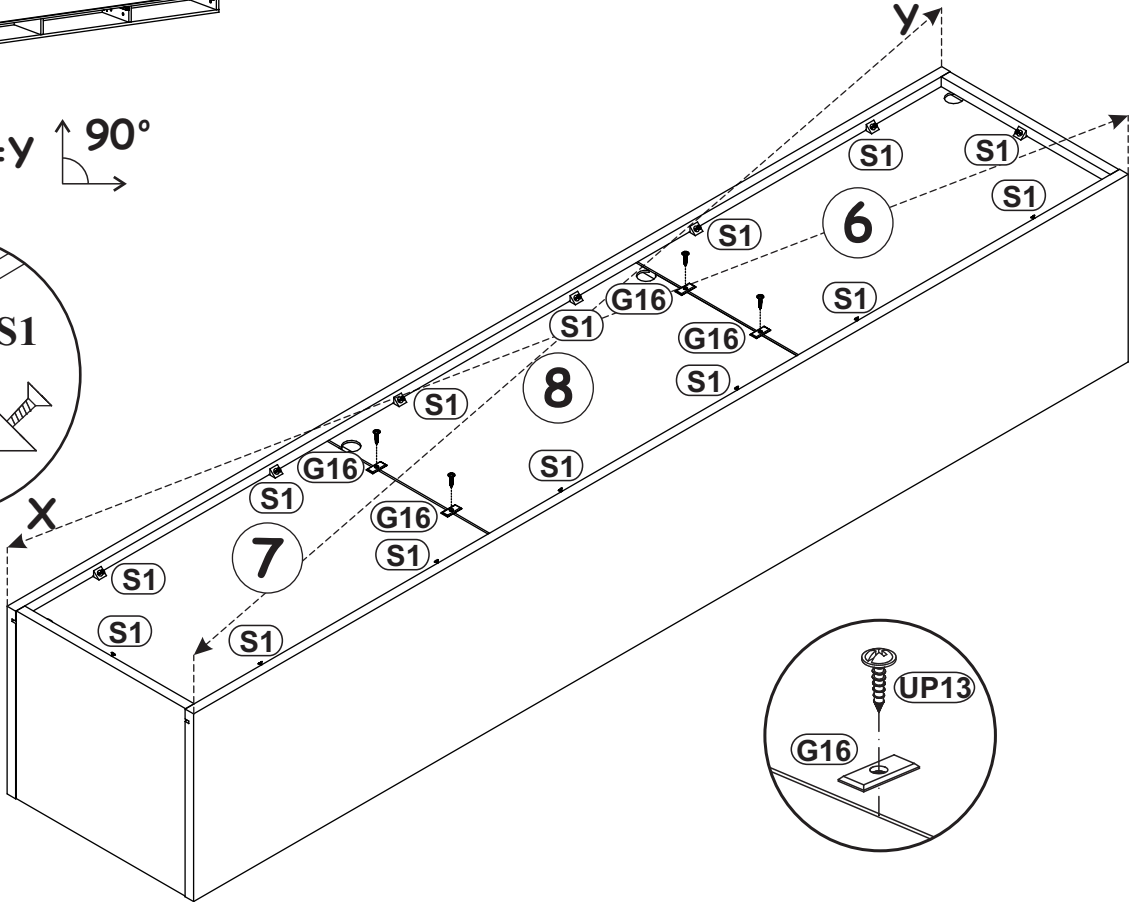
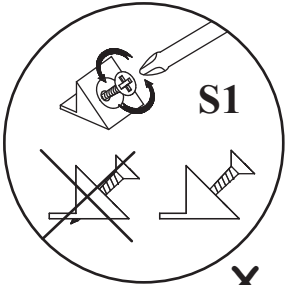
14



S1		G16		UP13	
x14		x4		x4	UPØ3x16

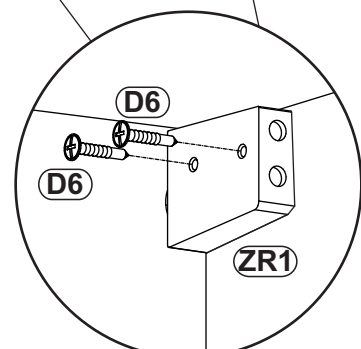
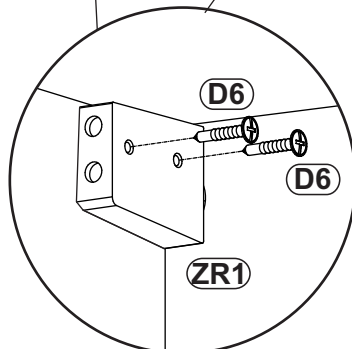
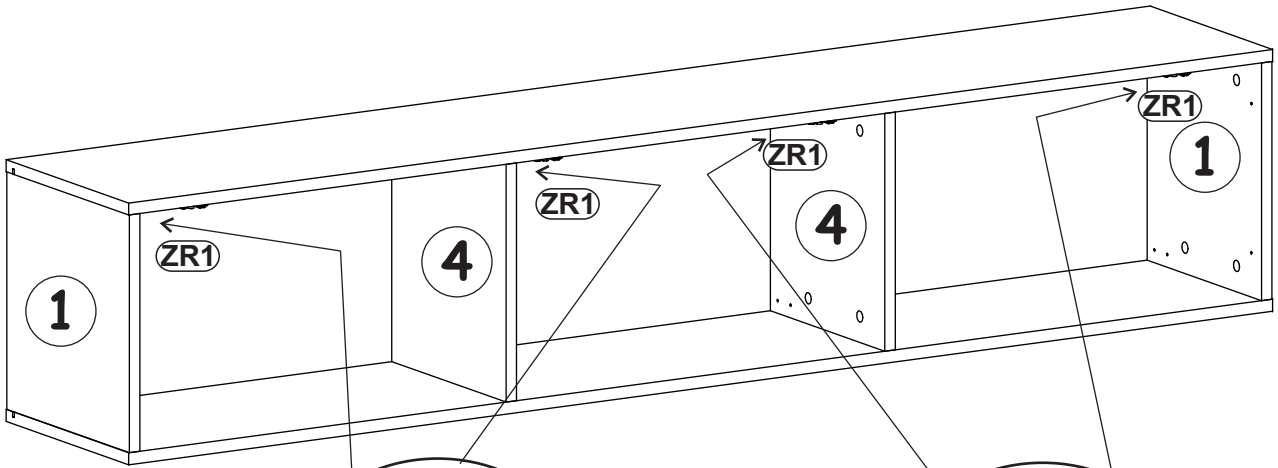


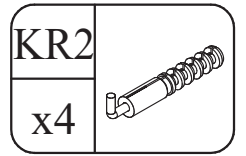
X=Y 90°



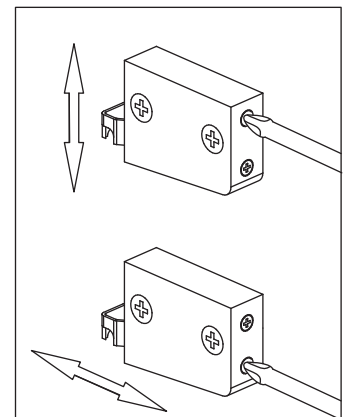
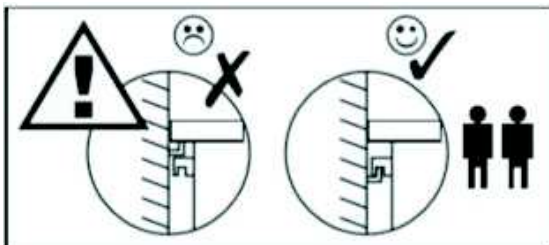
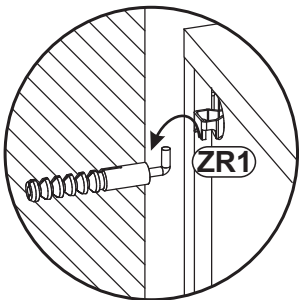
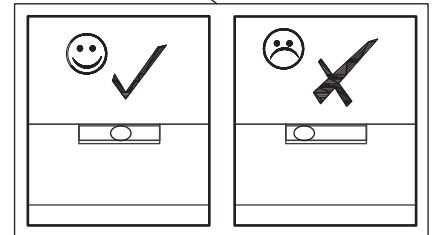
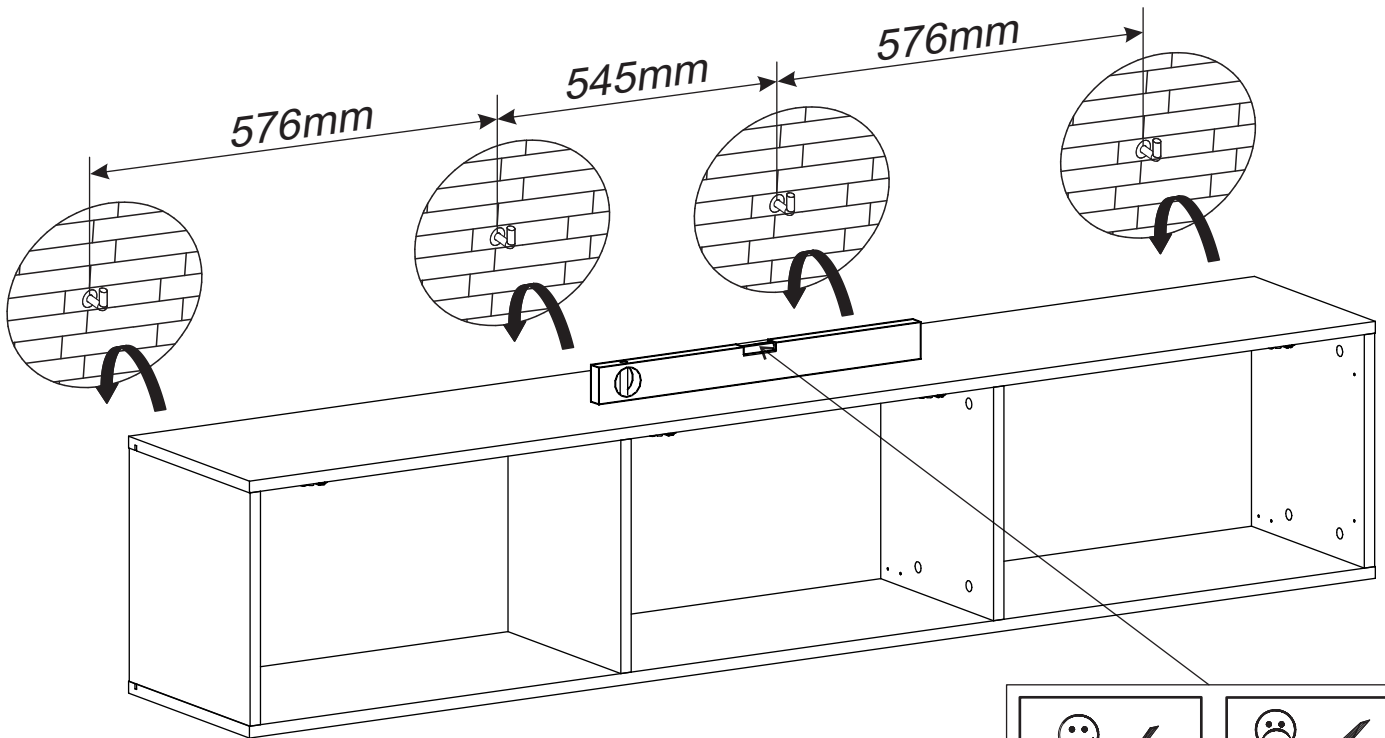
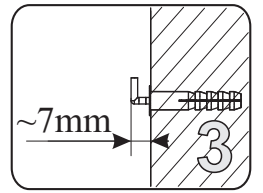
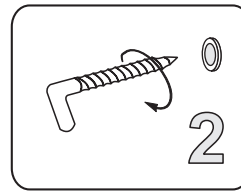
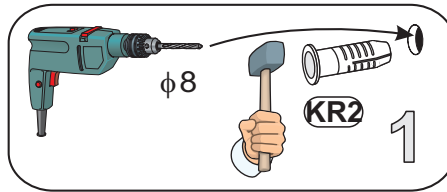
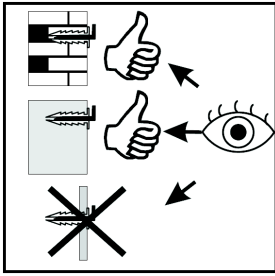
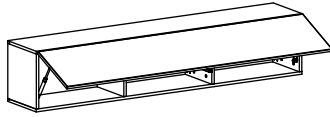
15

ZR1		D6	
x4		x8	USØ3,5x30



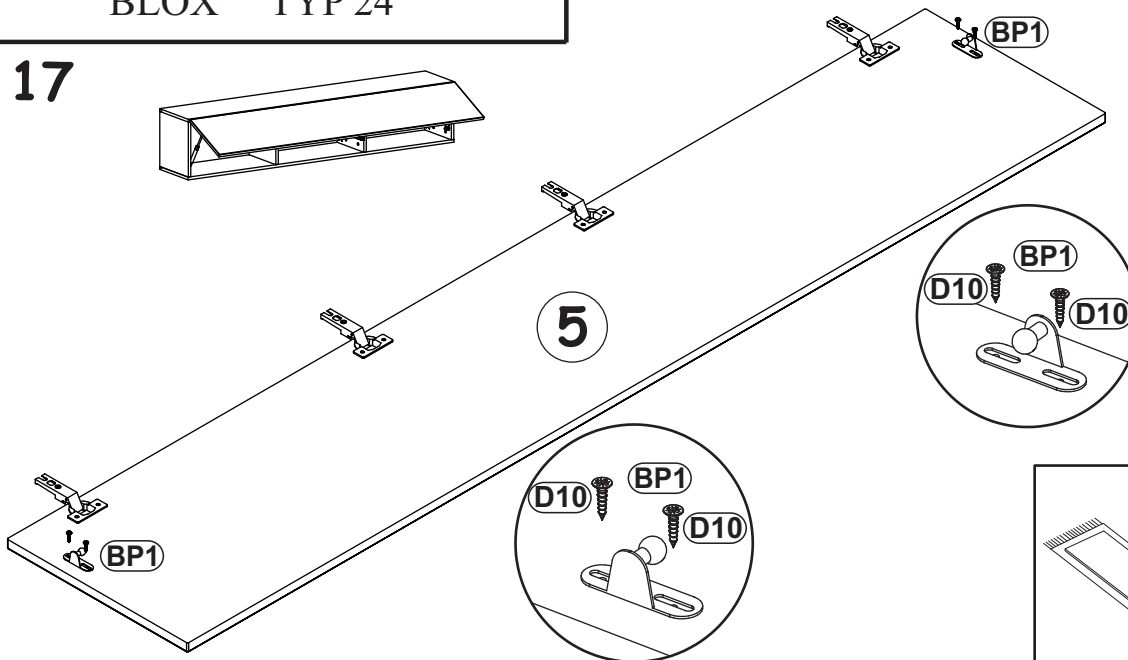


16



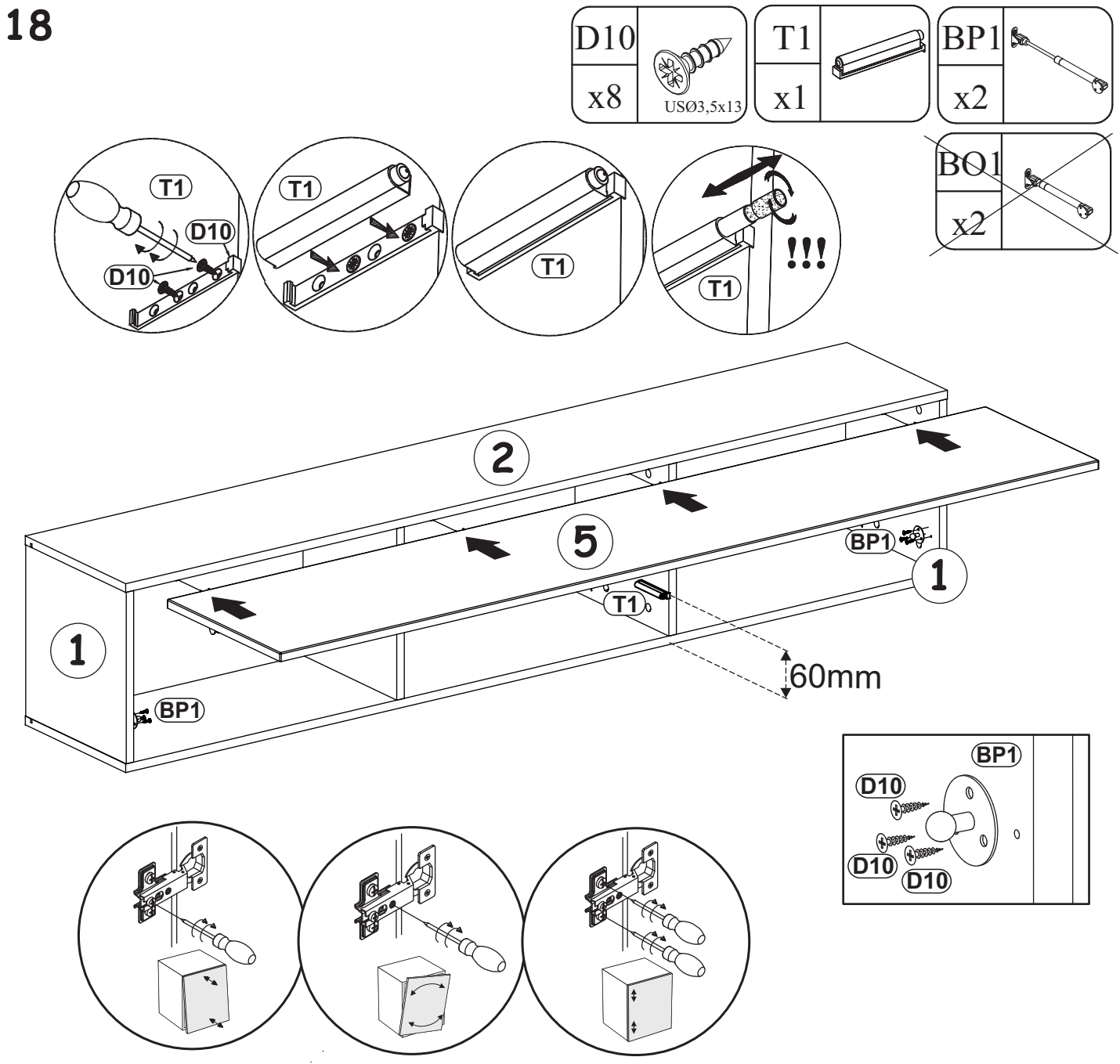
BLOX TYP 24

17



D10	
x4	USØ3,5x13
BP1	
x2	
<del>BQ1</del>	<del></del>
<del>x2</del>	

18



D10		T1		BP1	
x8	USØ3,5x13	x1		x2	
				<del>BQ1</del>	<del></del>
				<del>x2</del>	

19

