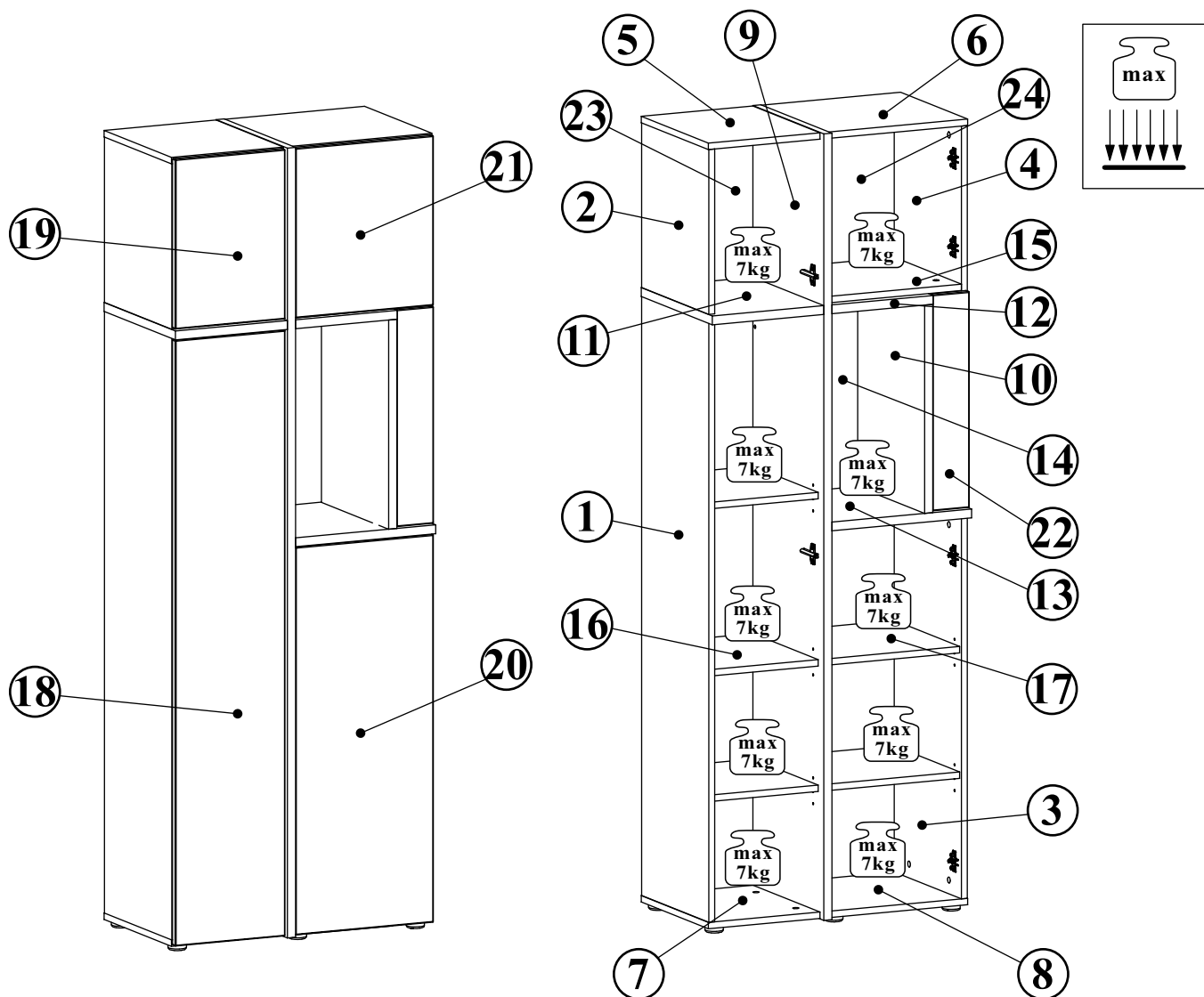
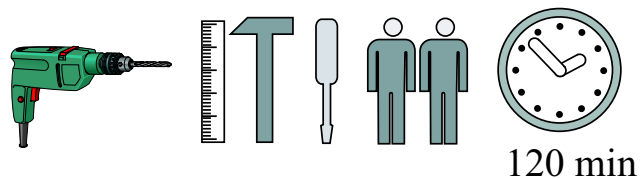


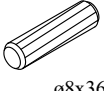
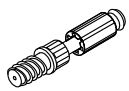




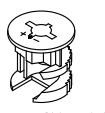
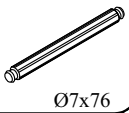
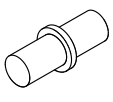
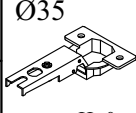
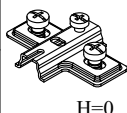
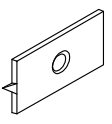
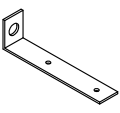
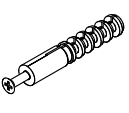
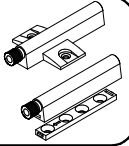
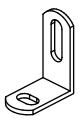
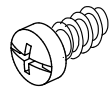





CROSS 28 ** CS WSW

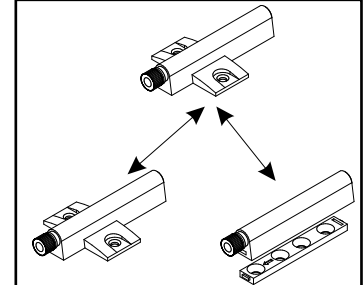
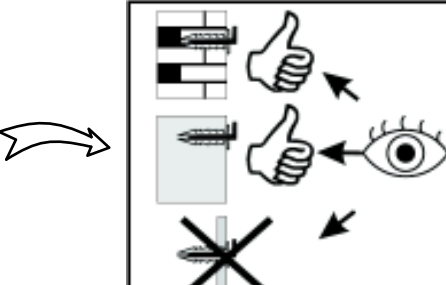
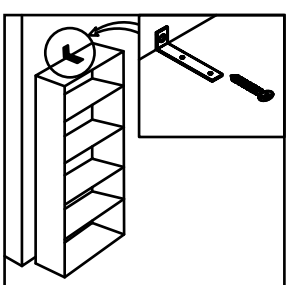
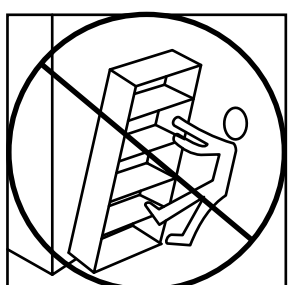
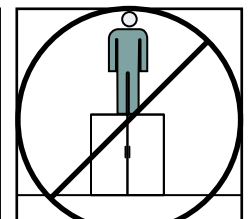
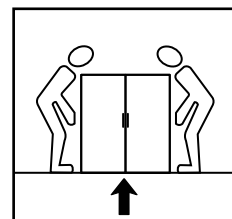
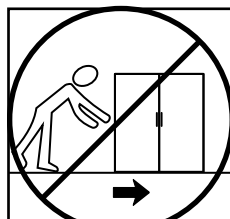
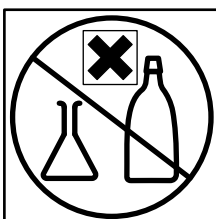
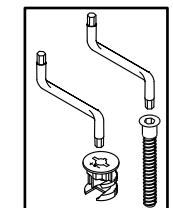
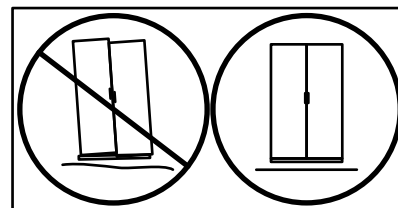
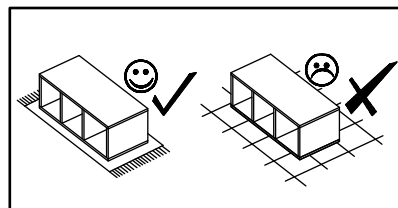
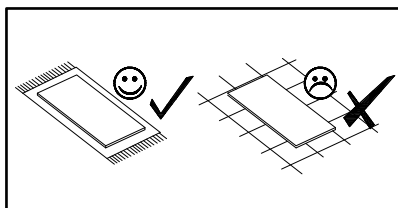
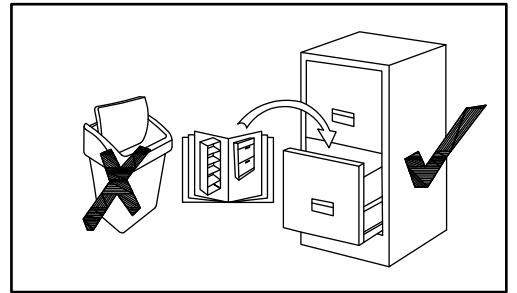
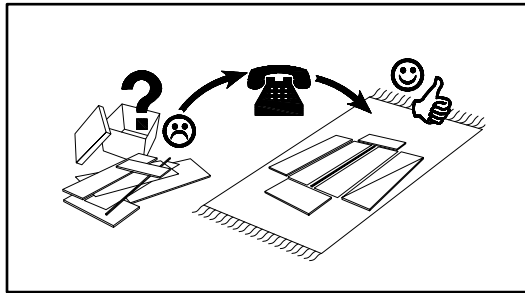
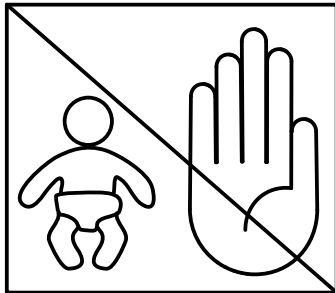
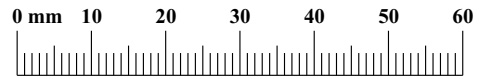


| NO | Dim. | | | Qty | Qty |
|----|------|-----|----|-----|-----|
| 1 | 1490 | 377 | 16 | 3 | 1 |
| 2 | 410 | 377 | 16 | 3 | 1 |
| 3 | 950 | 377 | 16 | 3 | 1 |
| 4 | 950 | 377 | 16 | 3 | 1 |
| 5 | 302 | 377 | 16 | 1 | 1 |
| 6 | 378 | 377 | 16 | 1 | 1 |
| 7 | 302 | 377 | 16 | 1 | 1 |
| 8 | 378 | 377 | 16 | 1 | 1 |
| 15 | 361 | 377 | 16 | 1 | 1 |
| 16 | 285 | 367 | 16 | 1 | 3 |
| 17 | 361 | 367 | 16 | 1 | 2 |
| 9 | 1956 | 399 | 22 | 3 | 1 |
| 10 | 518 | 399 | 22 | 1 | 1 |
| 11 | 302 | 399 | 22 | 1 | 1 |
| 12 | 274 | 399 | 22 | 1 | 1 |
| 13 | 378 | 399 | 22 | 1 | 1 |
| 14 | 250 | 517 | 22 | 1 | 1 |
| 18 | 1500 | 296 | 16 | 2 | 1 |
| 19 | 420 | 296 | 16 | 2 | 1 |
| 20 | 960 | 372 | 16 | 2 | 1 |
| 21 | 420 | 372 | 16 | 2 | 1 |
| 22 | 537 | 100 | 16 | 2 | 1 |
| 23 | 1948 | 309 | 3 | 2 | 1 |
| 24 | 1948 | 385 | 3 | 2 | 1 |



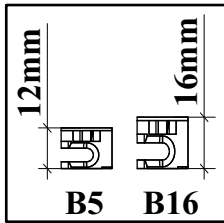
CROSS 28 ** CS WSW

| | | | | | |
|--|--|---|---|---|---|
| A1 x38  ø8x36 | B4 x14  | B5 x28  ø15x12 | G5 x34  | B15 x8  Ø7x60 | G4 x8  |
| B16 x6  Ø15x16 | B6 x10  Ø7x76 | G7 x22  | E21 x9  Ø35 H=0 | E2 x9  H=0 | G16 x13  |
| L1 x2  | KR1 x2  | T3/T5 x4  | L6 x3  | D31 x6  EKØ6,3x13 | UP13 x54  UPØ3x16 |
| D10 x30  USØ3,5x13 | UP15 x6  UPØ4x25 | I11 x6  Ø45, h=15 | G2 x1  | | |



CROSS 28 ** CS WSW

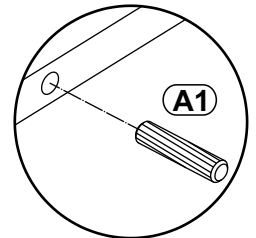
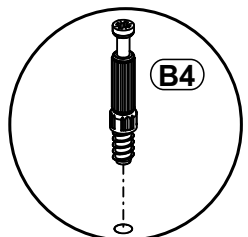
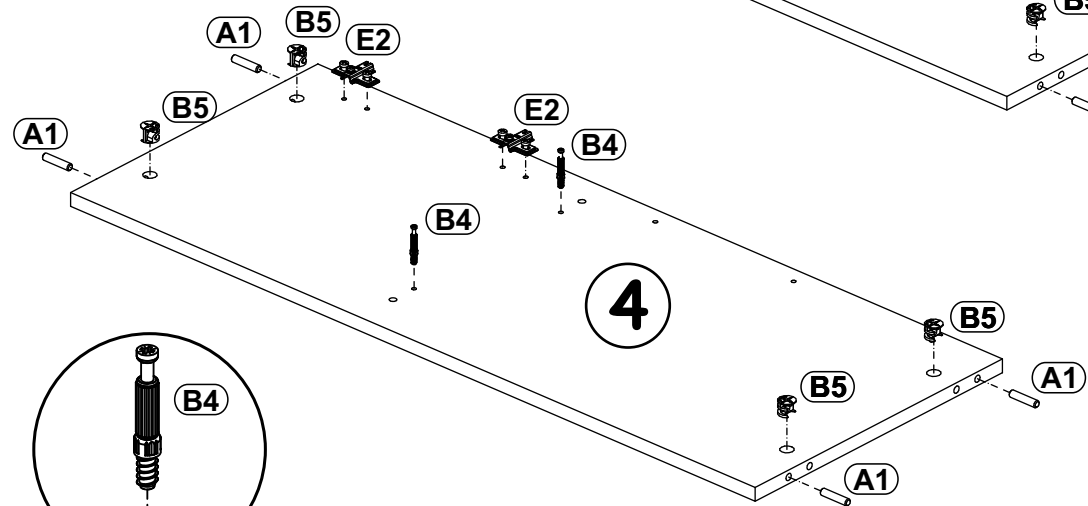
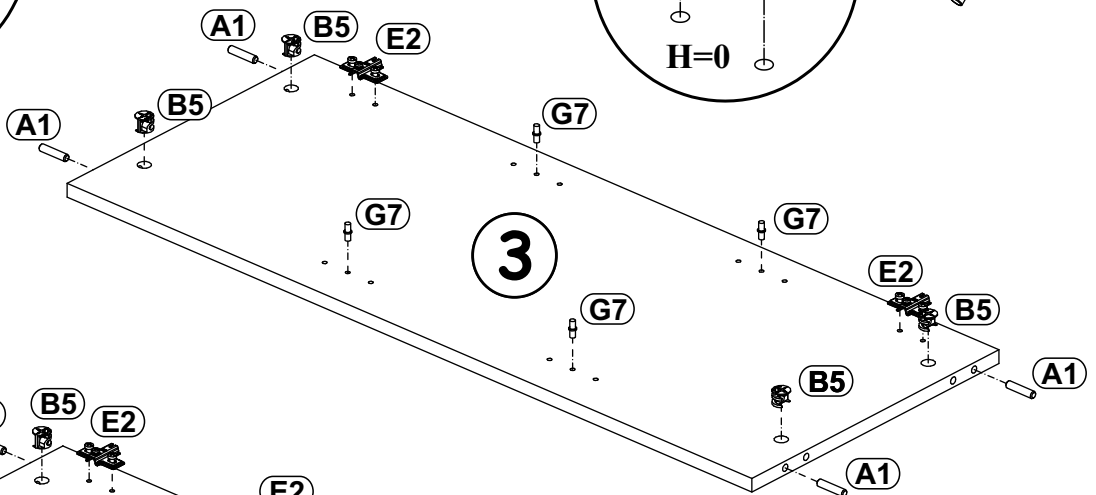
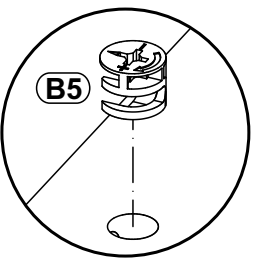
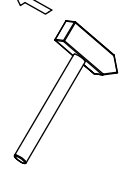
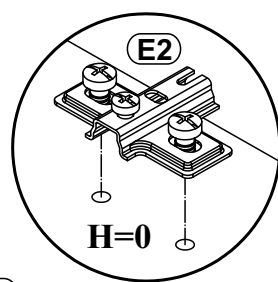
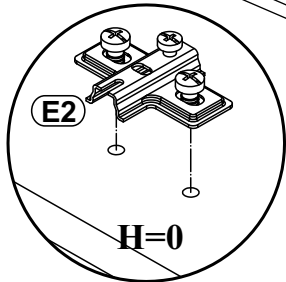
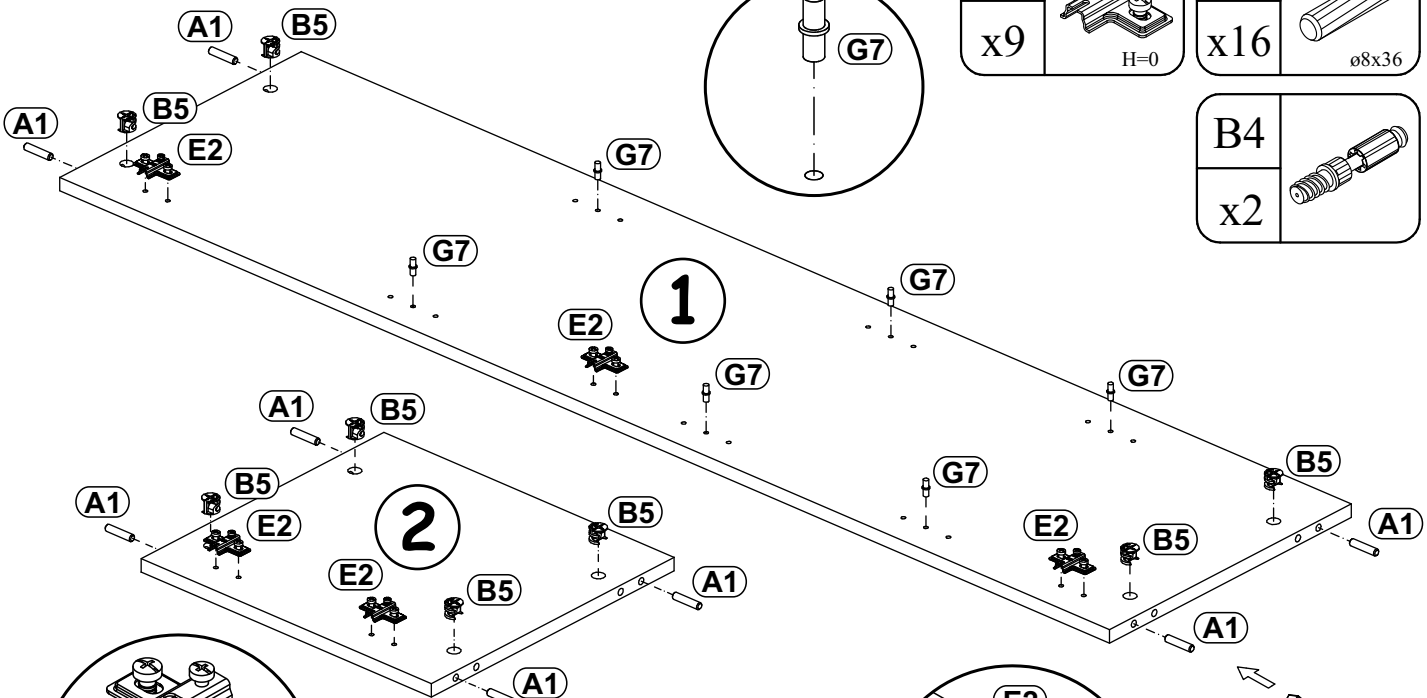
1



| | | | |
|-----|--------|-----|--|
| B5 | | G7 | |
| x16 | ø15x12 | x10 | |

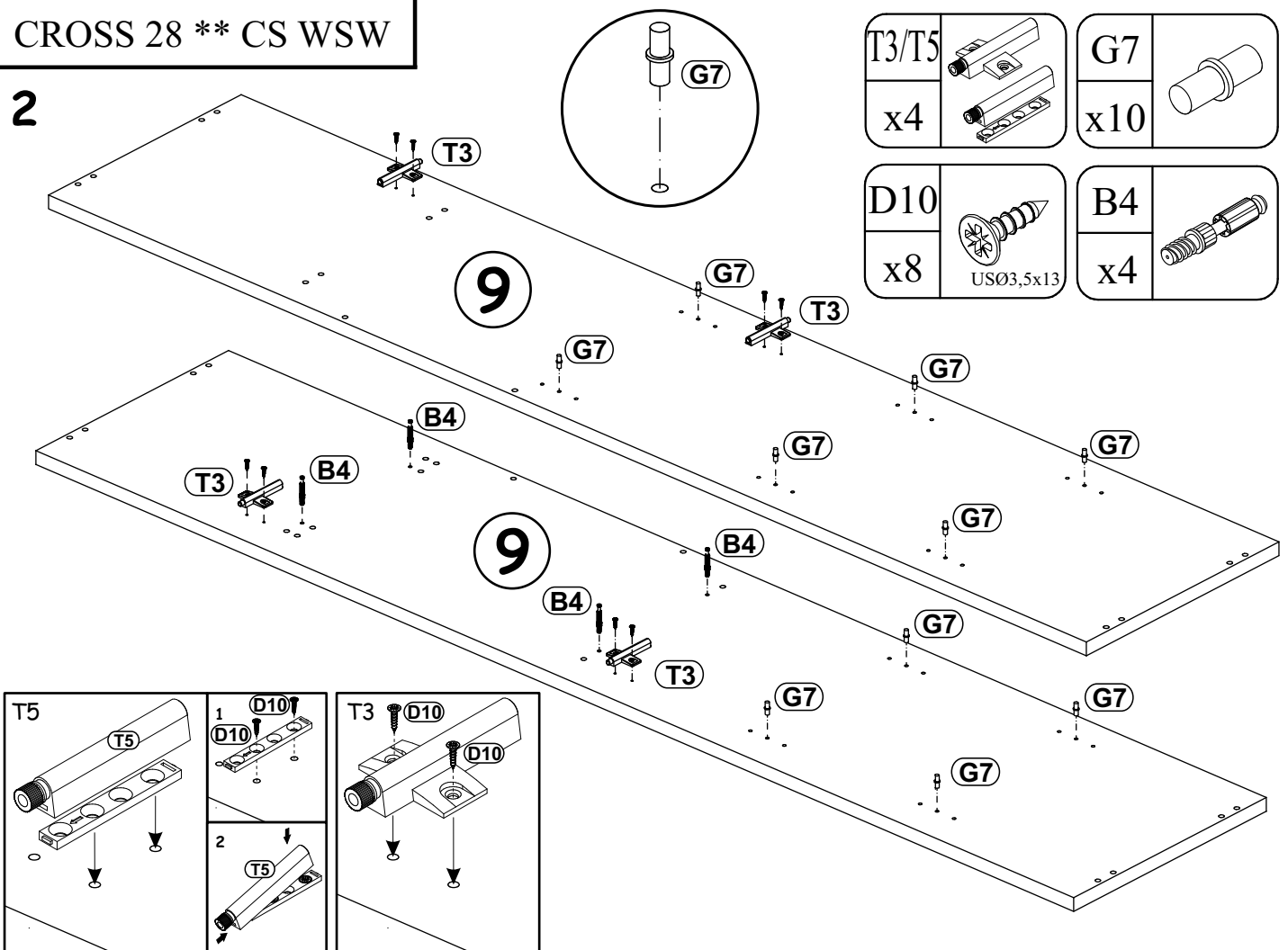
| | | | |
|----|-----|-----|-------|
| E2 | | A1 | |
| x9 | H=0 | x16 | ø8x36 |

| | |
|----|--|
| B4 | |
| x2 | |

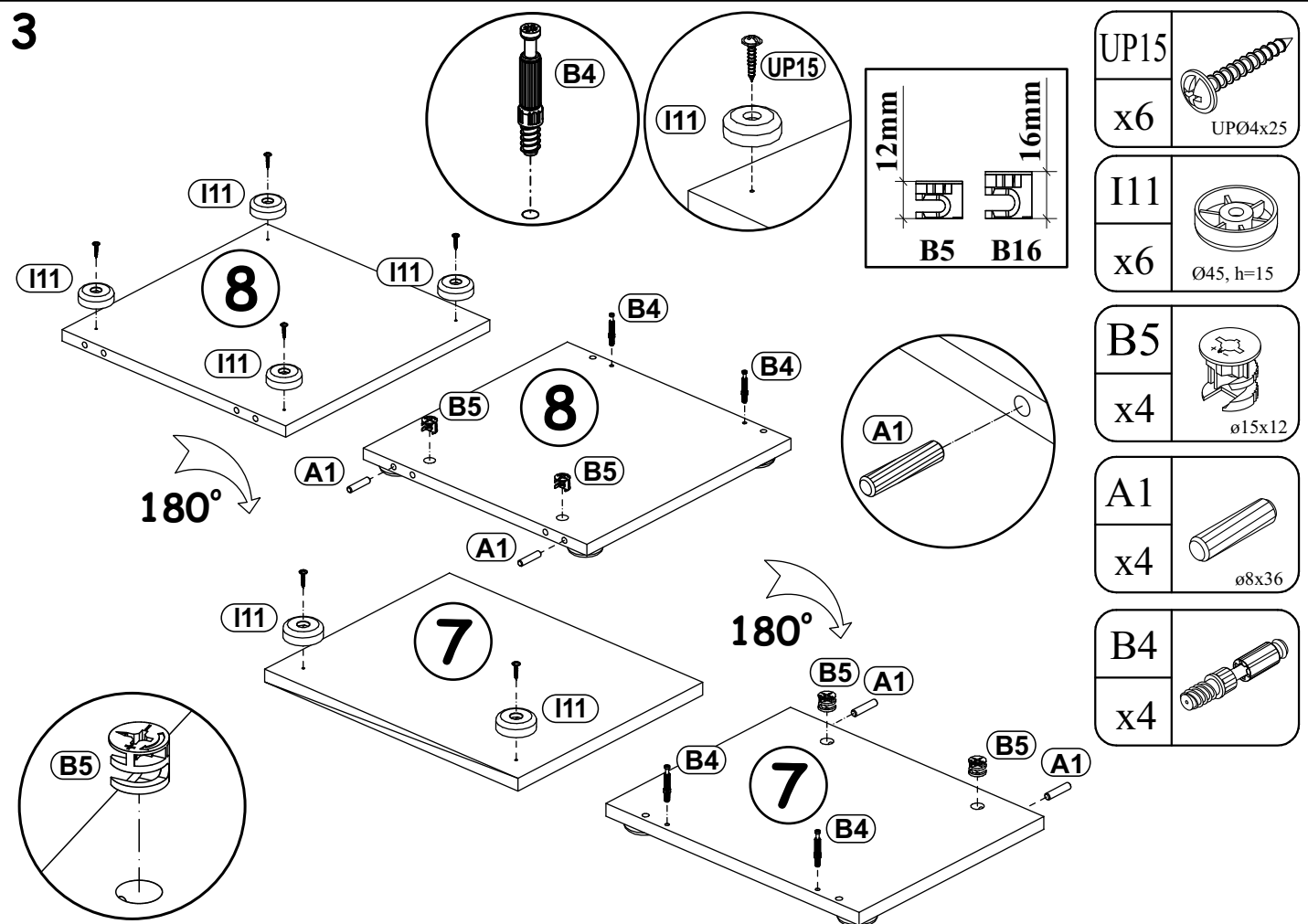


CROSS 28 ** CS WSW

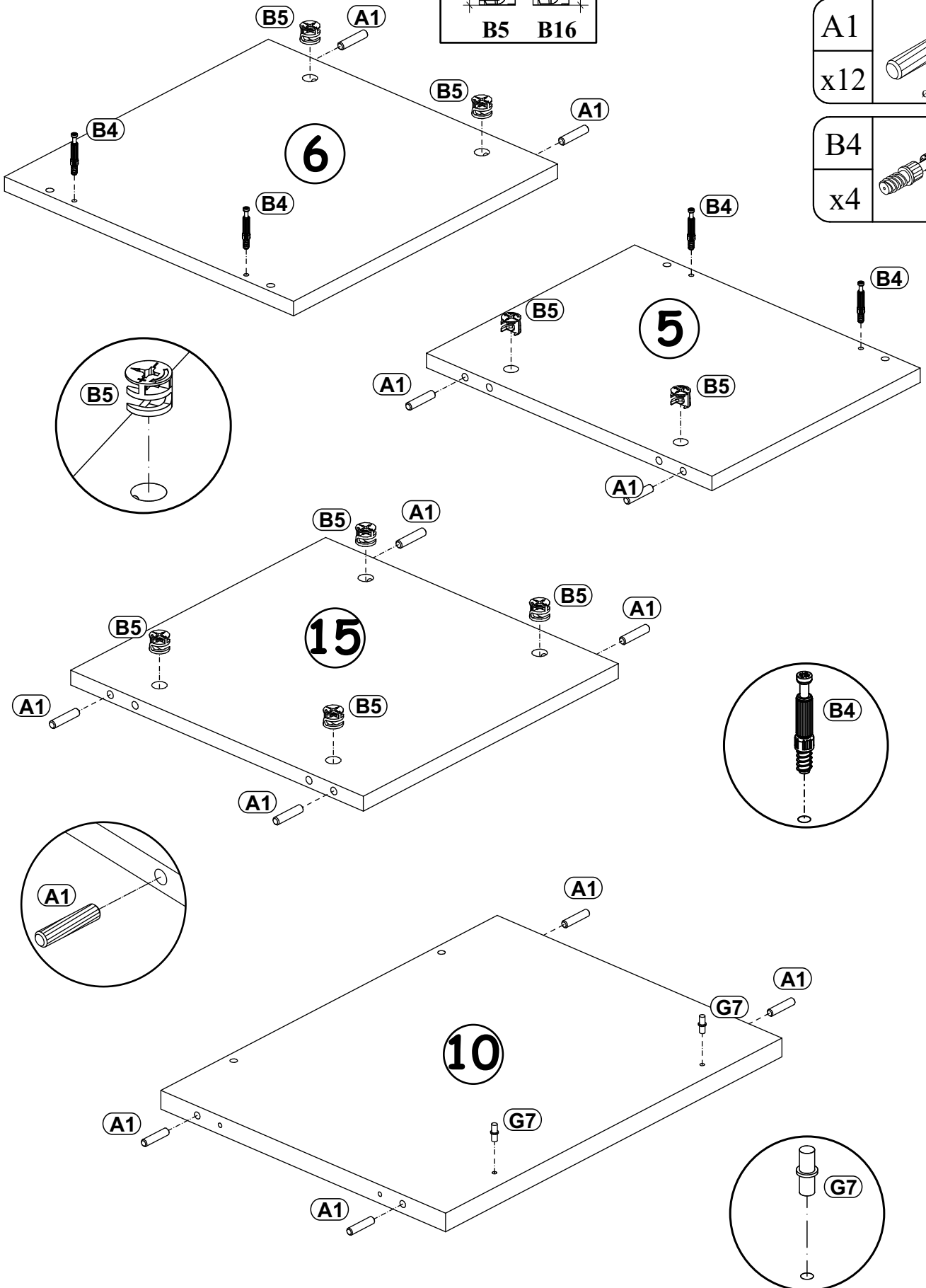
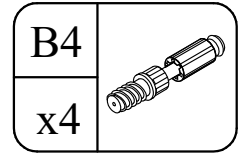
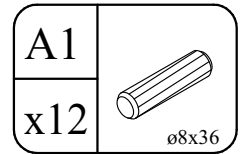
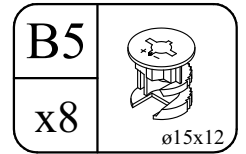
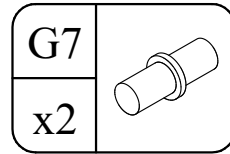
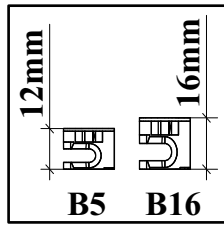
2

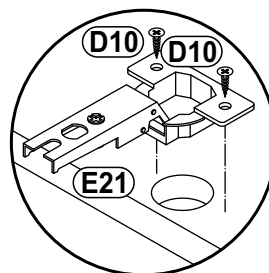
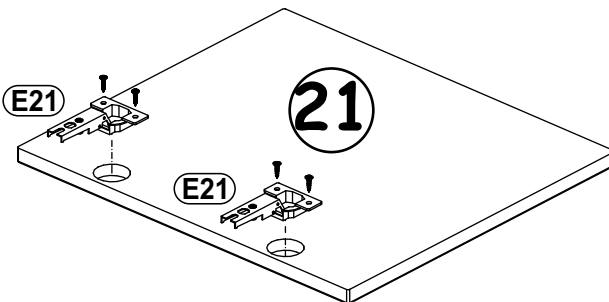
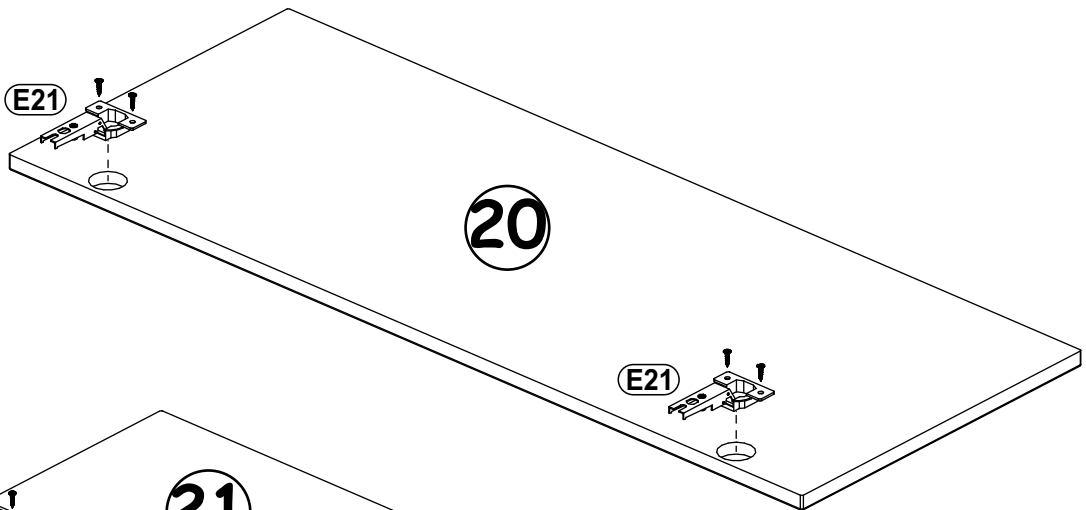
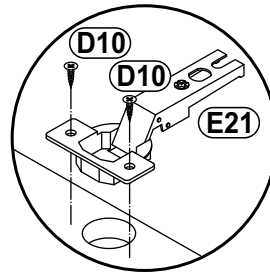
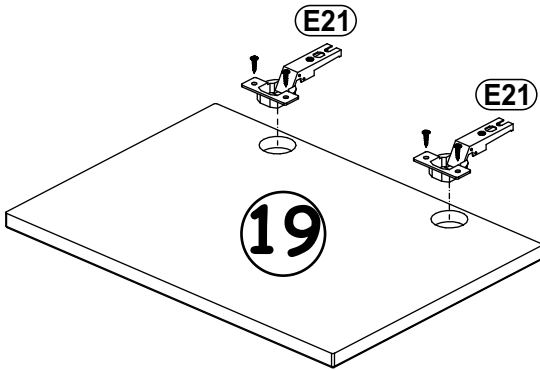
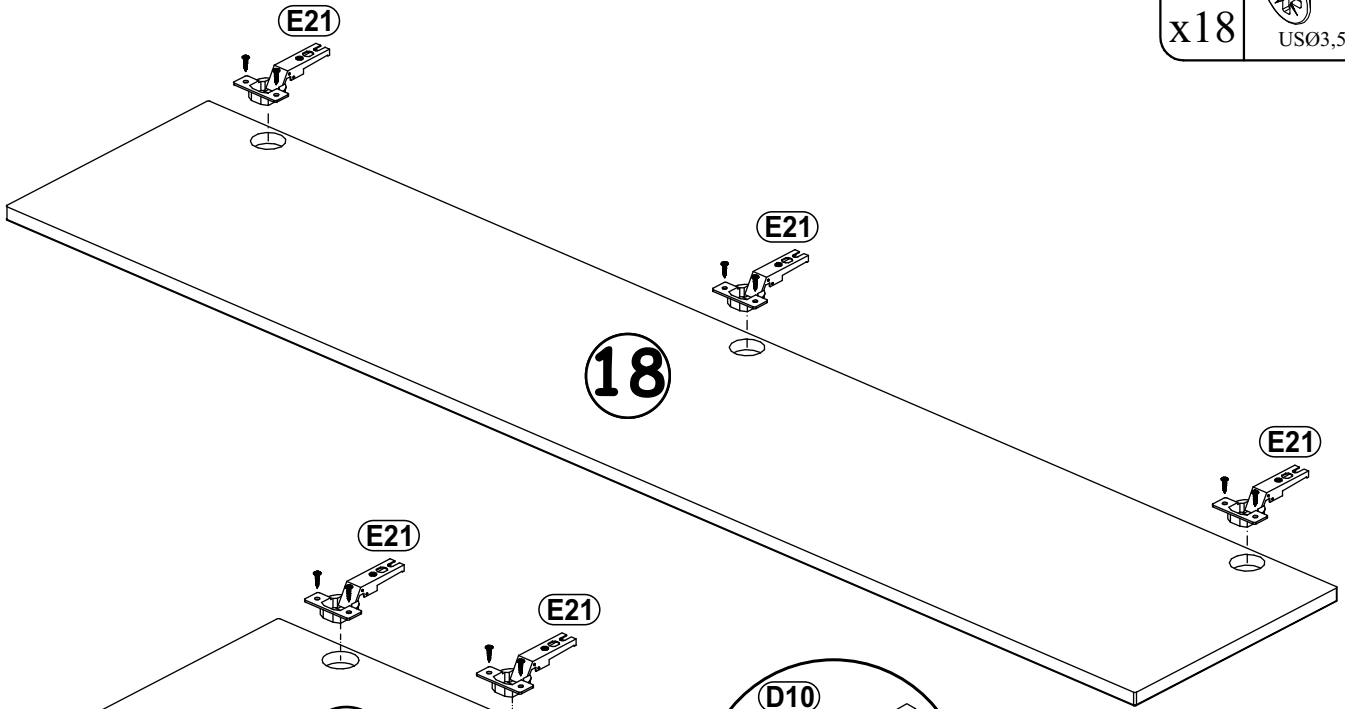
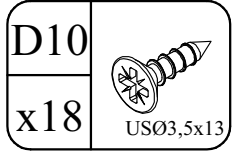
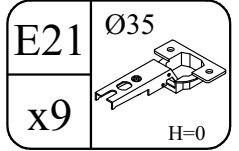
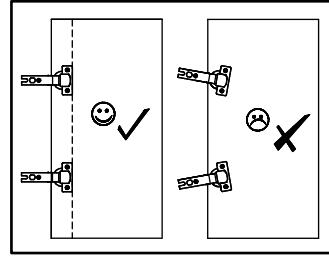
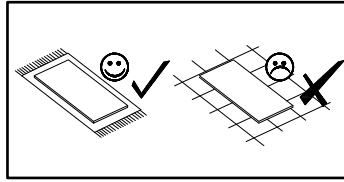


3

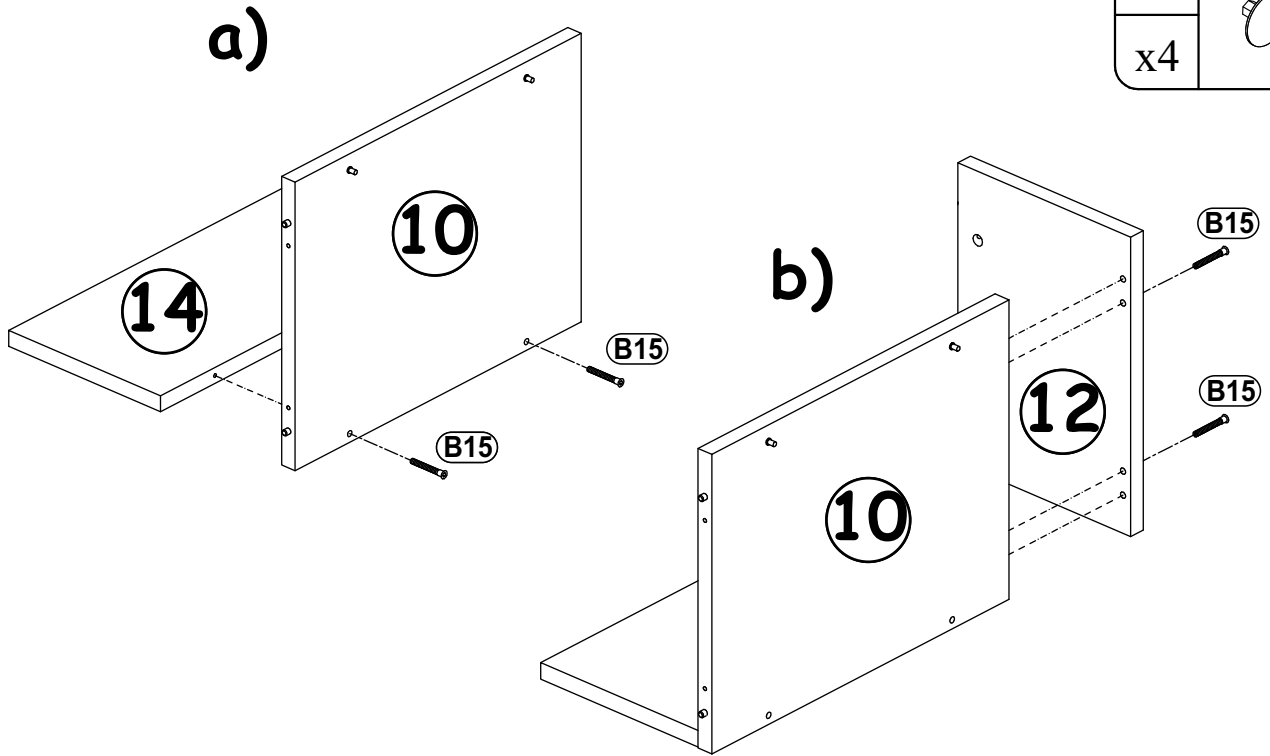
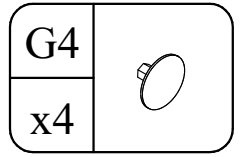
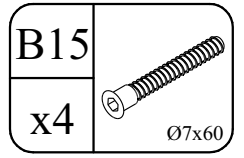
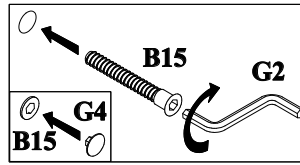


4

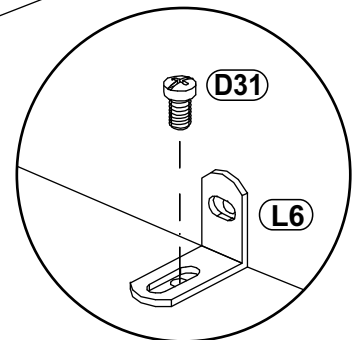
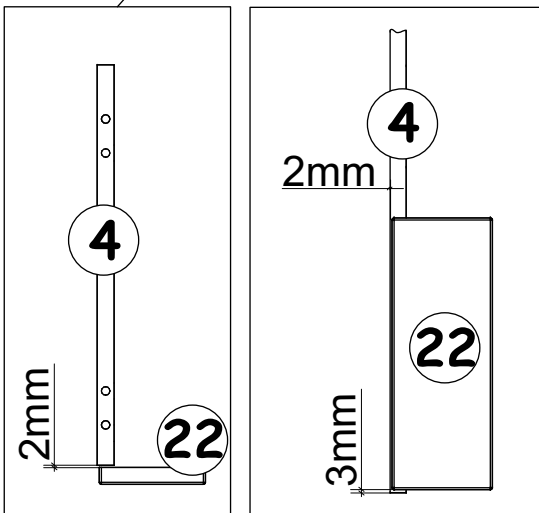
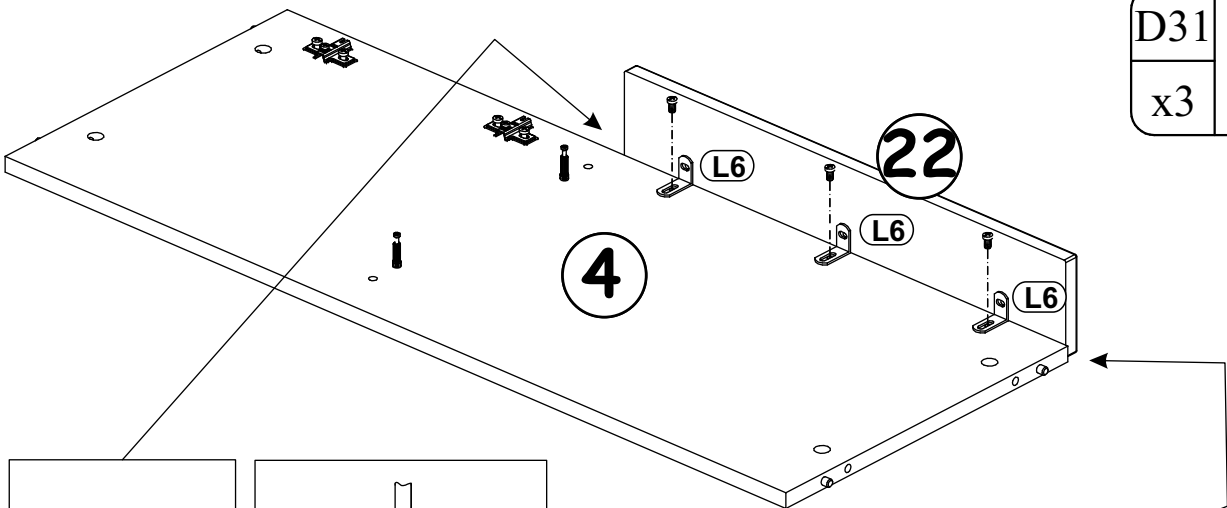
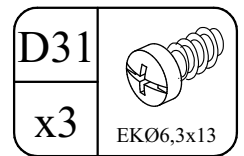





8




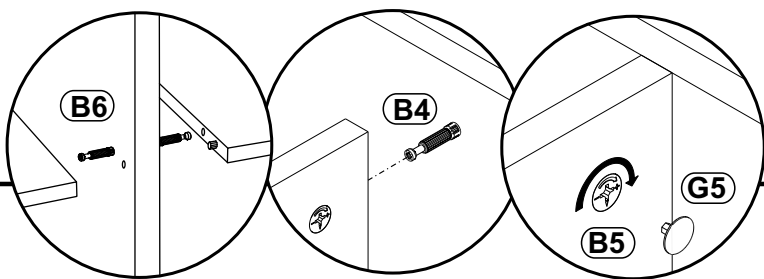
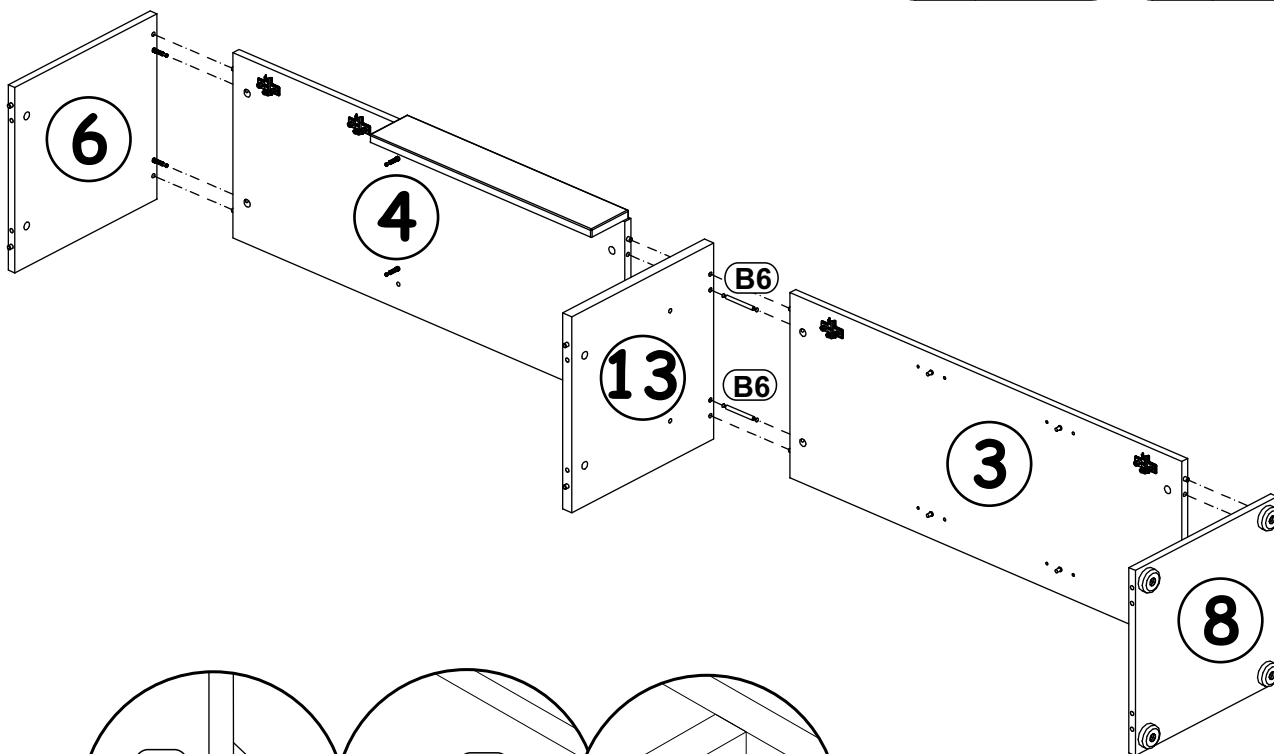
9




10


| | |
|----|---|
| G5 |  |
| x8 | |

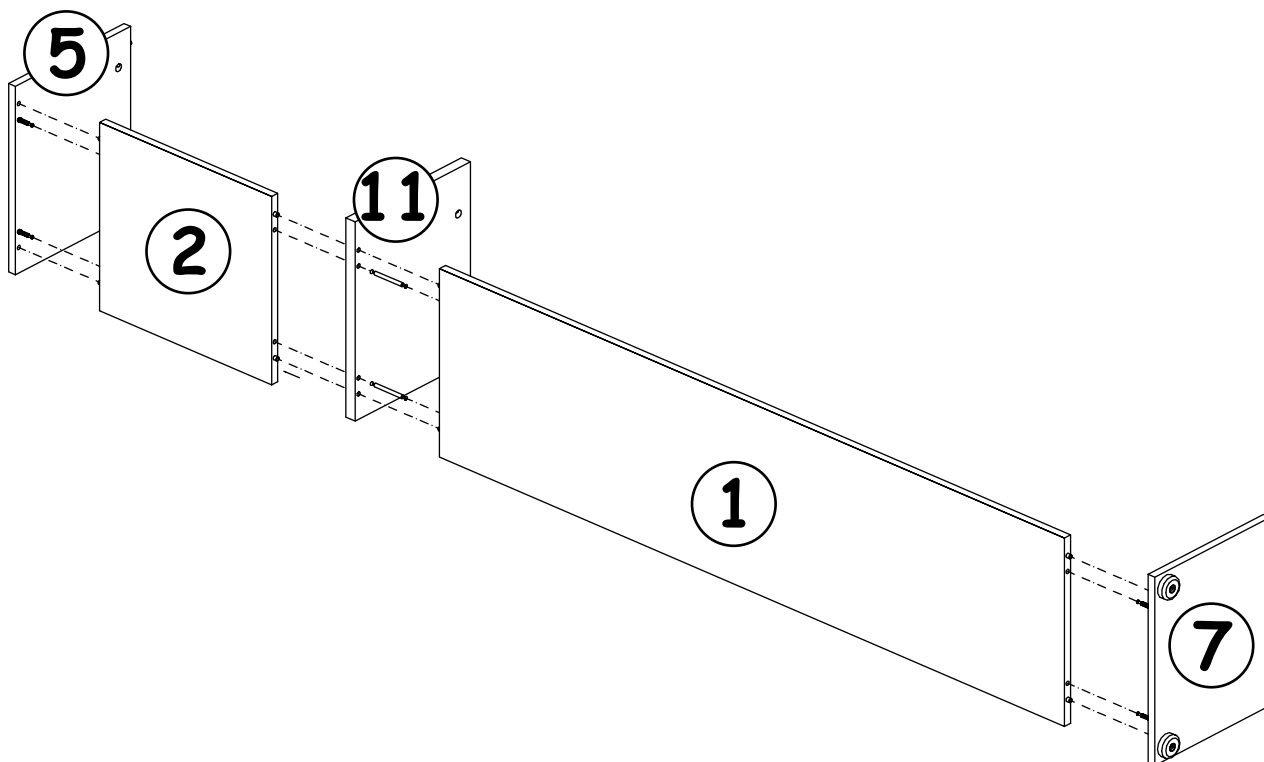
| | |
|----|---|
| B6 |  |
| x2 | Ø7x76 |



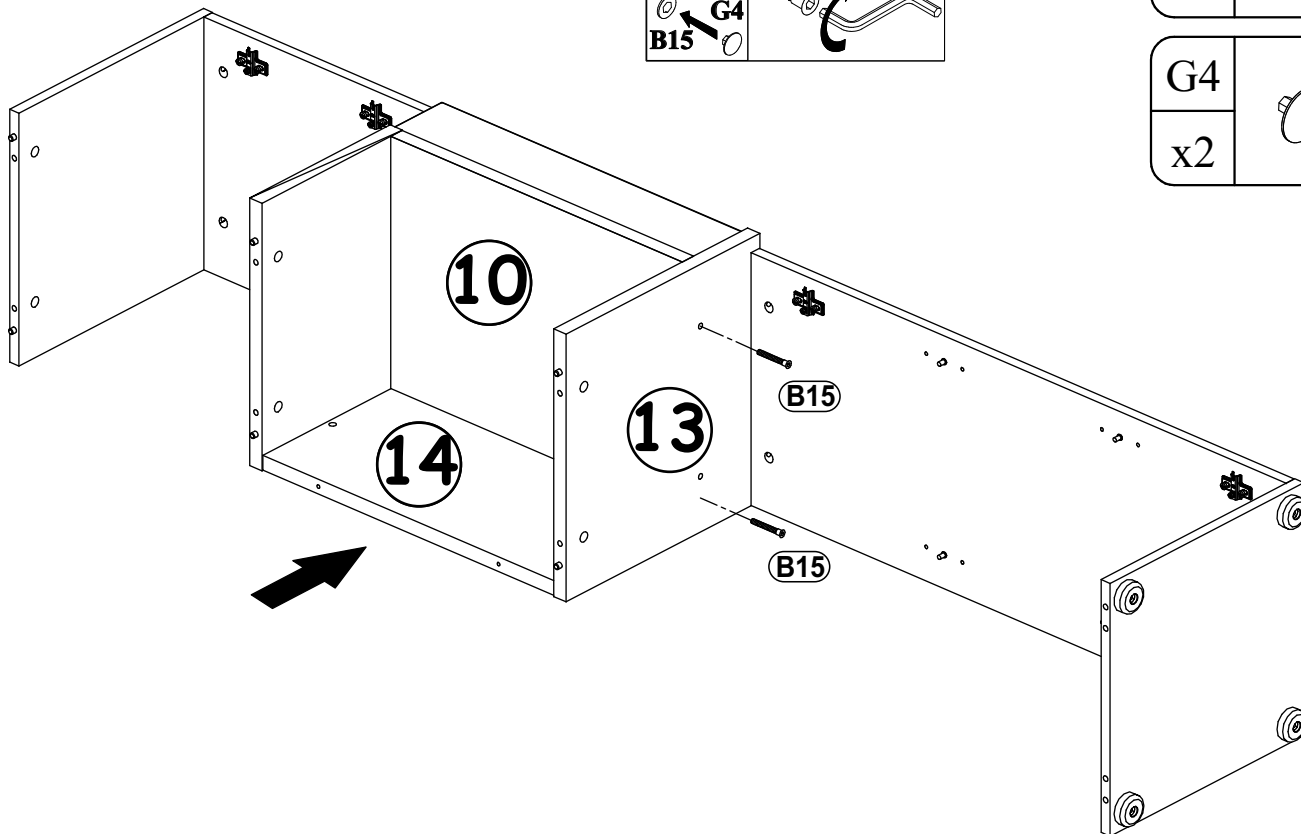
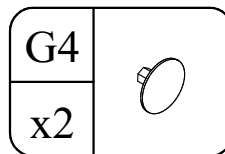
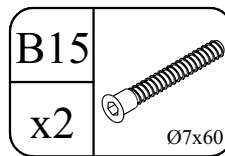
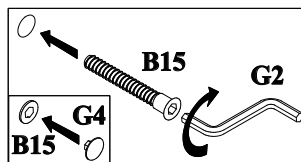
11

| | |
|----|---|
| G5 |  |
| x8 | |

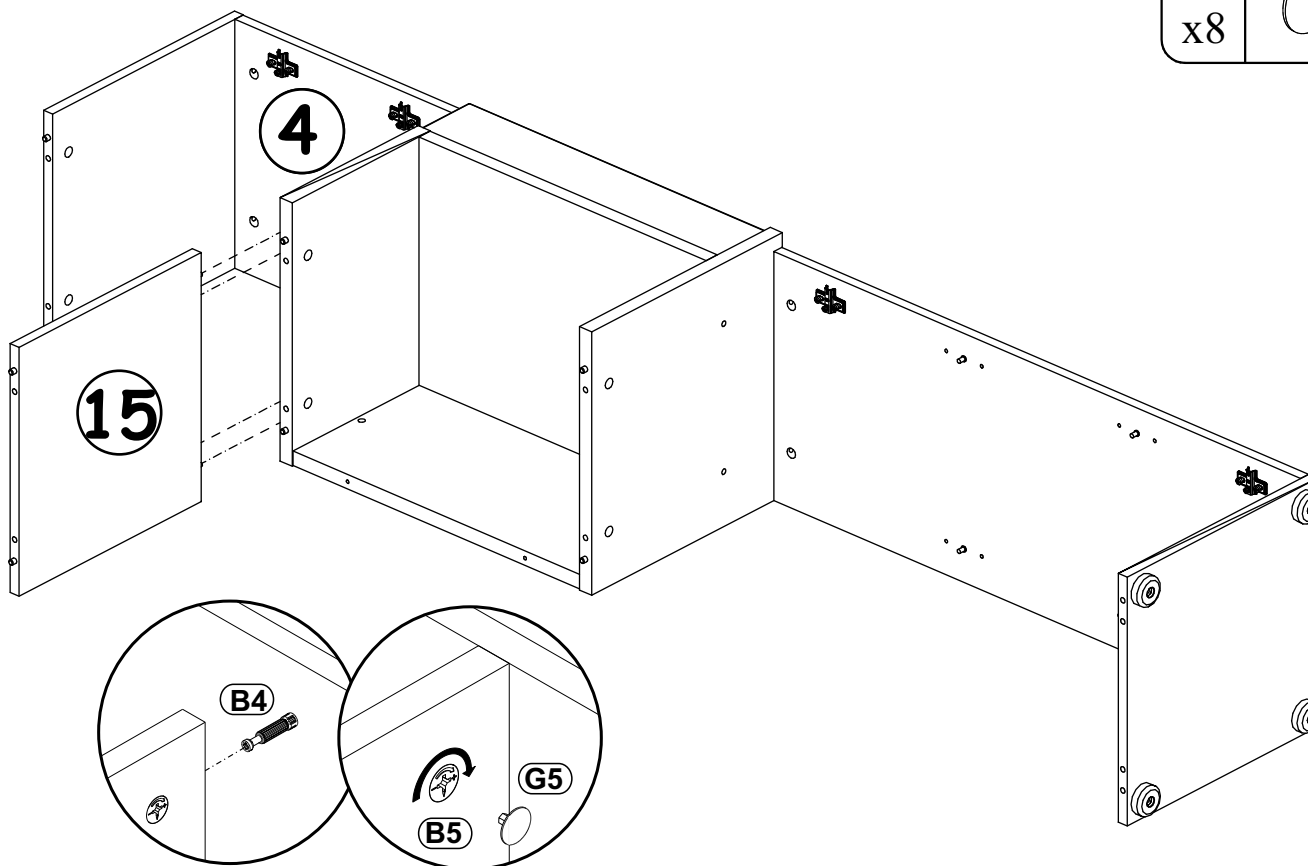
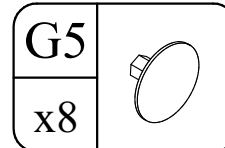
| | |
|----|---|
| B6 |  |
| x2 | Ø7x76 |



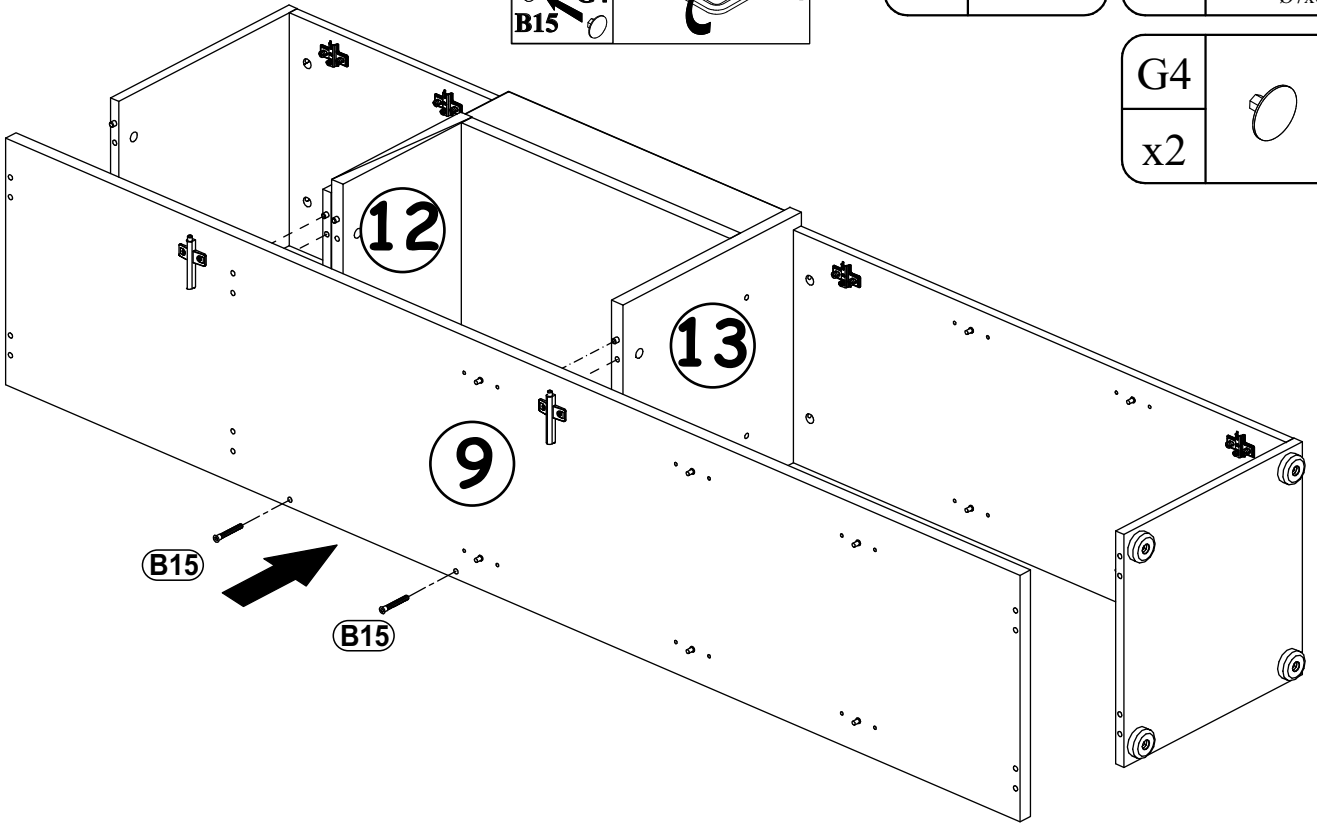
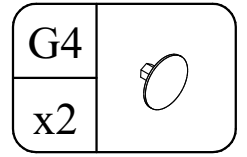
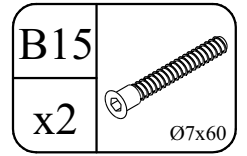
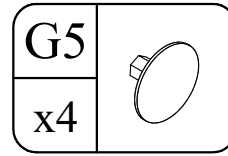
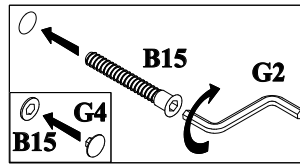
12



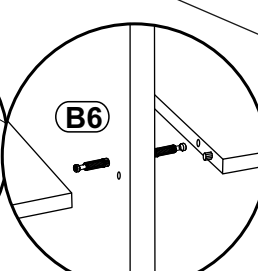
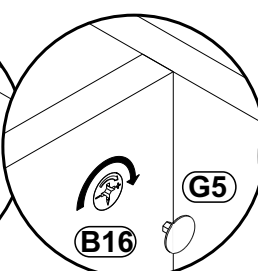
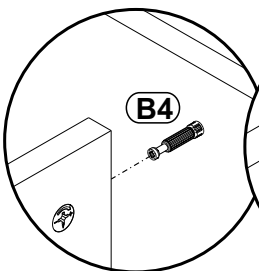
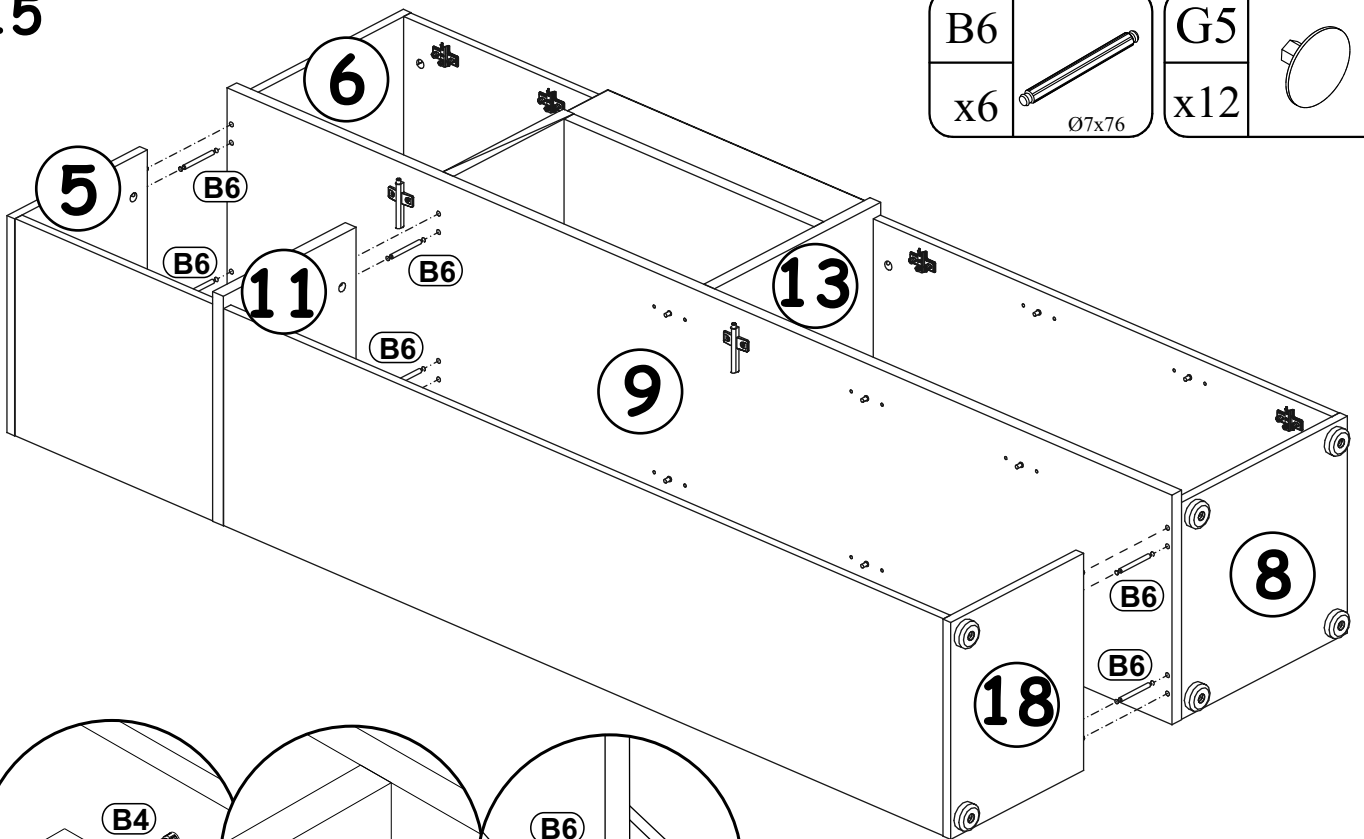
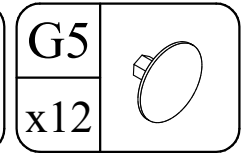
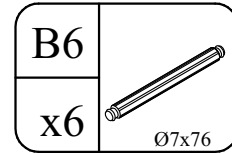
13



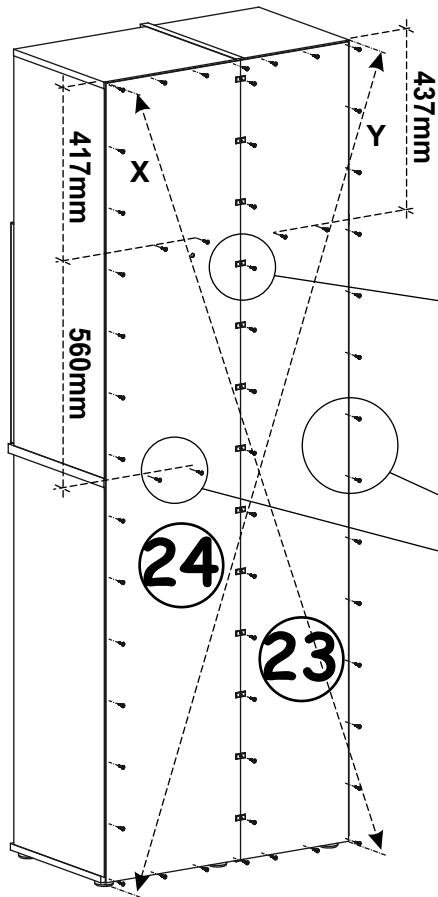
14



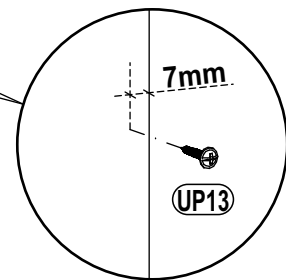
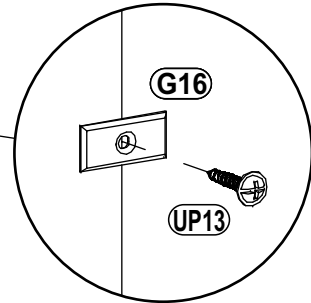
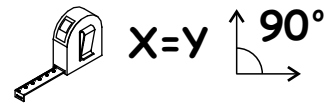
15



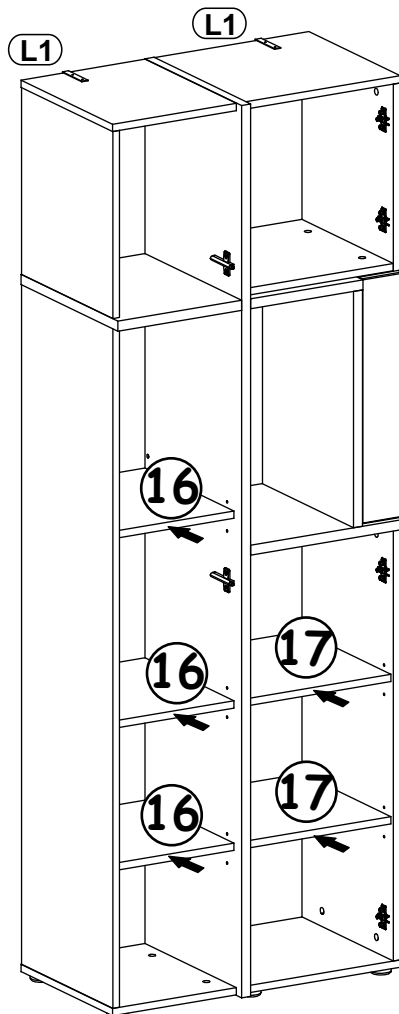
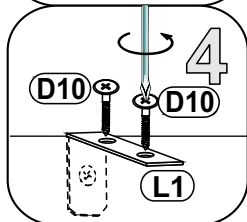
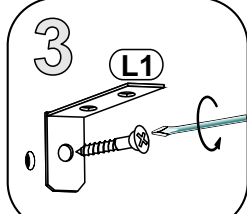
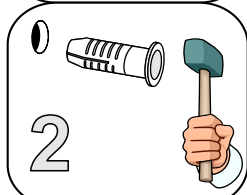
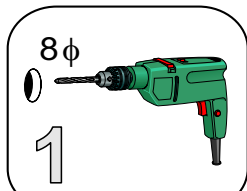
16



| | | | |
|------|---------|-----|--|
| UP13 | | G16 | |
| x54 | UP03x16 | x13 | |

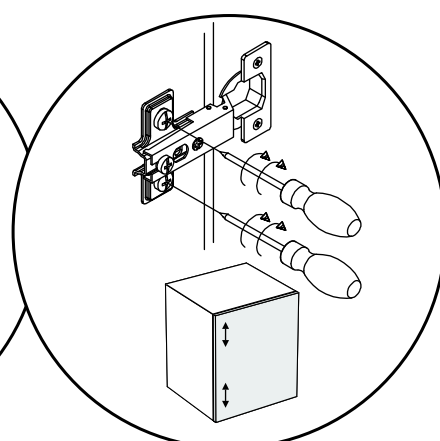
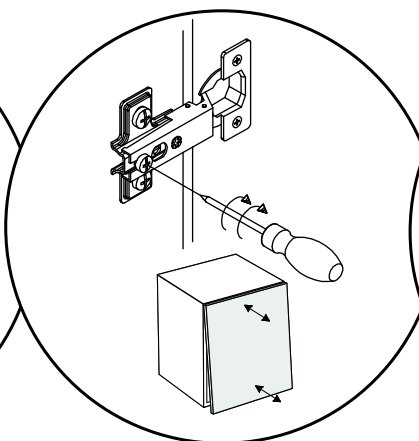
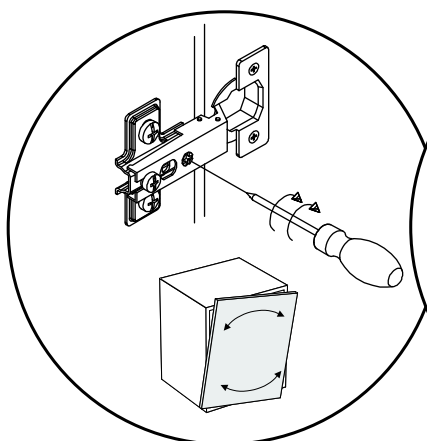
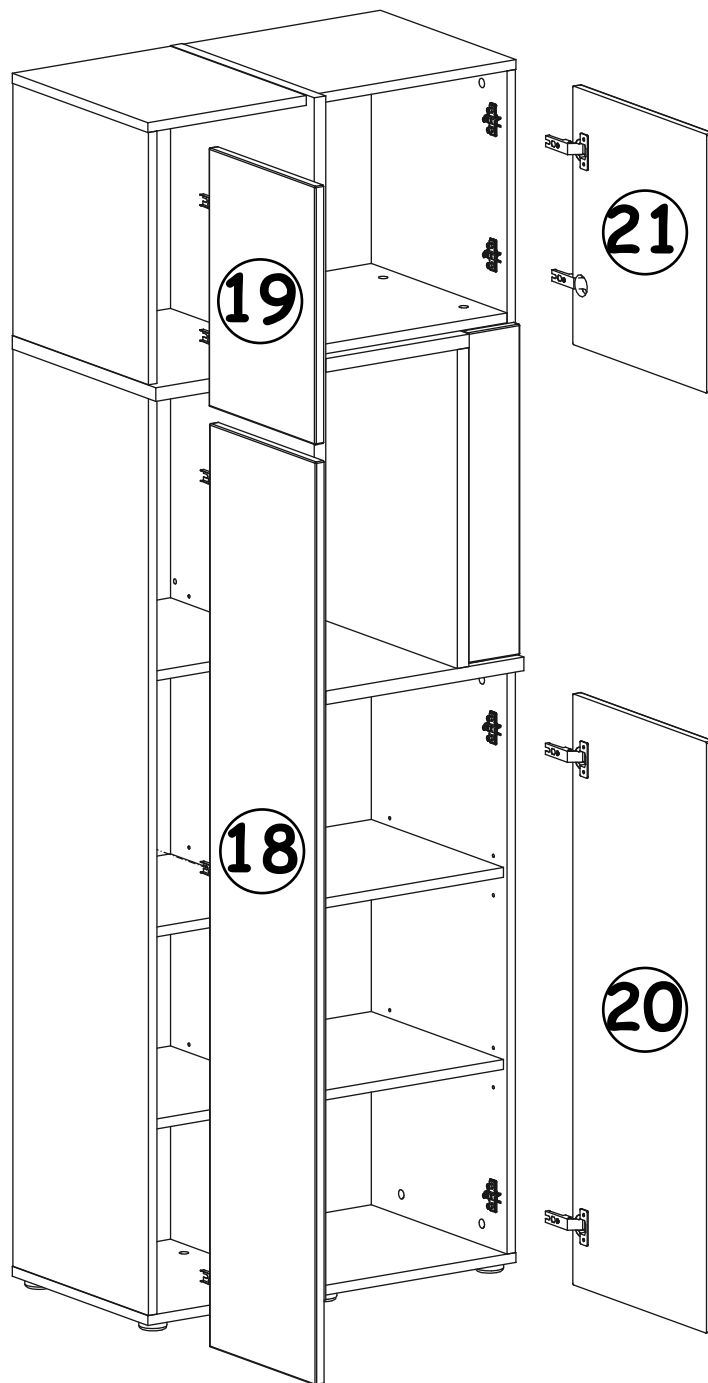


17

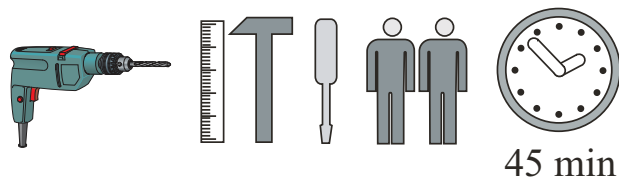
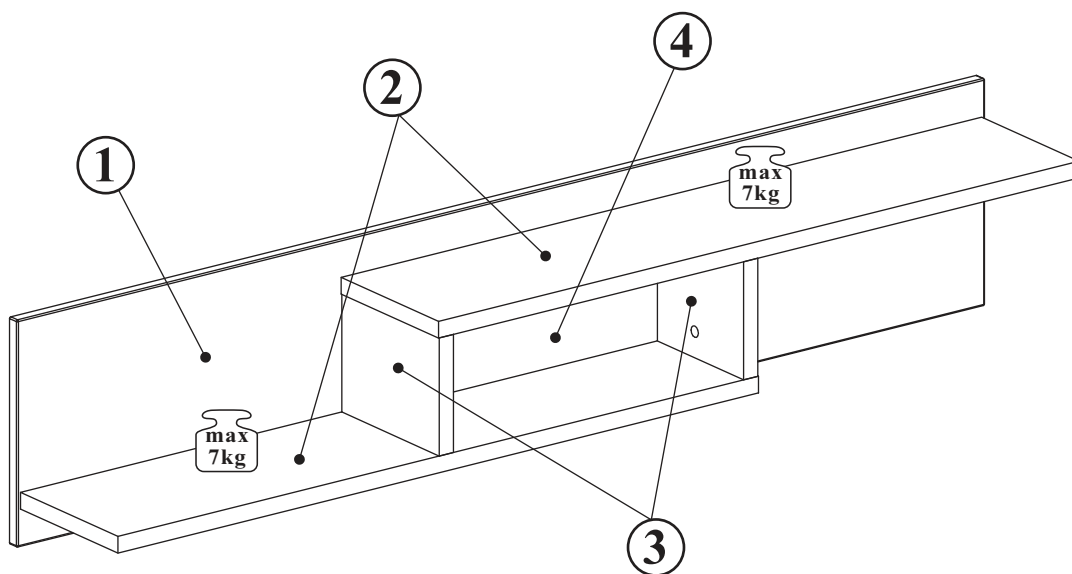
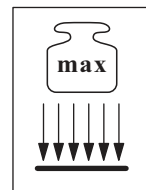


| | | | |
|----|--|-----|--|
| L1 | | KR1 | |
| x2 | | x2 | |

18



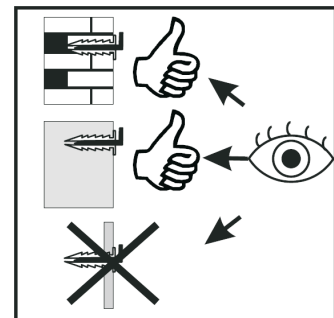
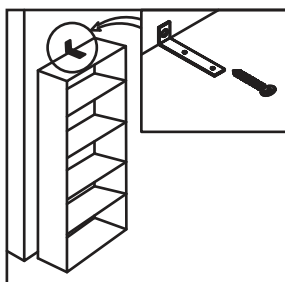
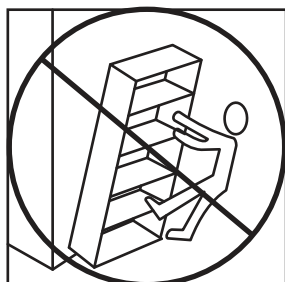
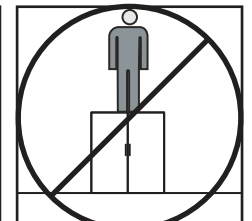
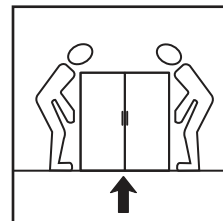
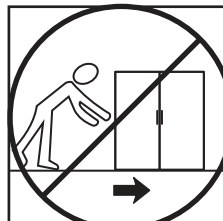
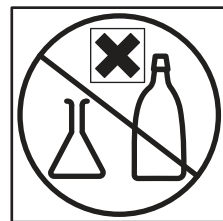
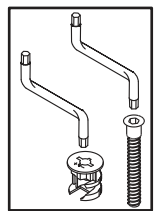
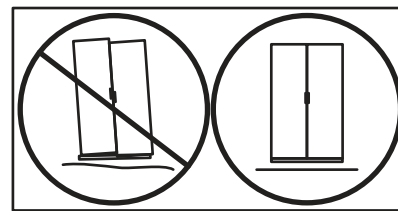
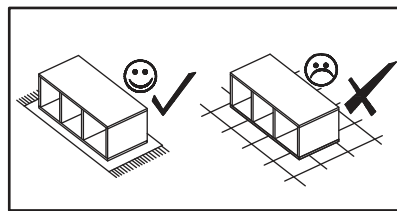
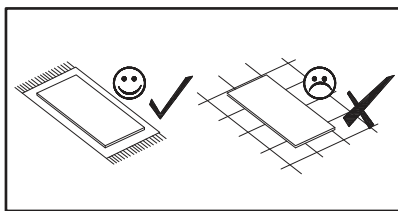
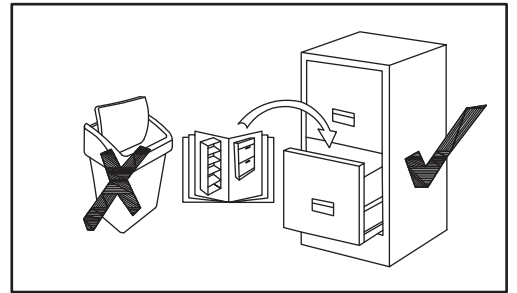
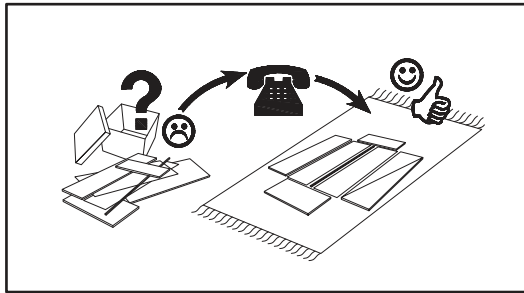
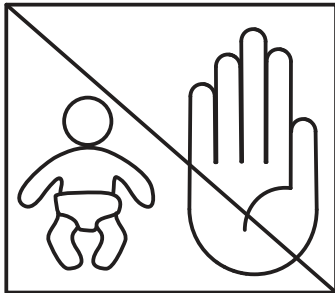
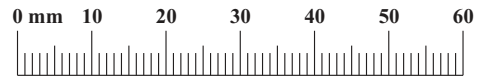
CROSS 28 ** CS PW



| NO | Dim.[mm] | | | Qty | Qty |
|----|----------|-----|----|-----|-----|
| | | | | | |
| 1 | 1500 | 300 | 16 | 1 | 1 |
| 2 | 993 | 203 | 22 | 1 | 2 |
| 3 | 156 | 203 | 22 | 1 | 2 |
| 4 | 450 | 156 | 22 | 1 | 1 |

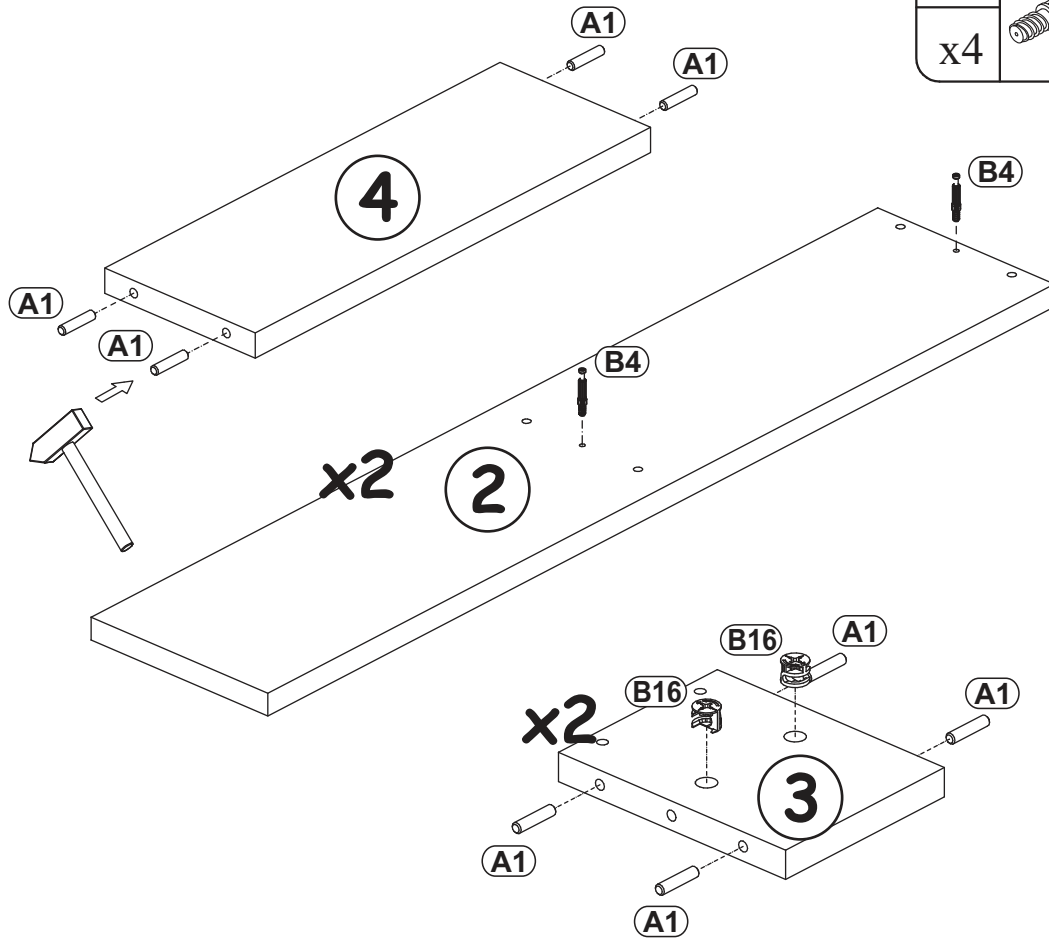
CROSS 28 ** CS PW

| | | | | | |
|------------------------|----------|---------------------|-----------------------|--------------------|----------|
| A1 x12 ø8x36 | B4 x4 | B16 x4 Ø15x16 | G5 x4 | B11 x8 Ø7x50 | G4 x8 |
| D10 x2 USØ3,5x13 | P3 x2 | KR2 x2 | D28 x4 ESØ6x9,5 | ZM1 x2 | G2 x1 |



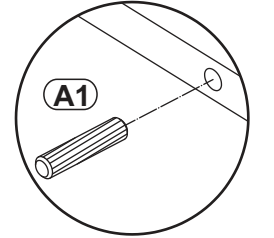
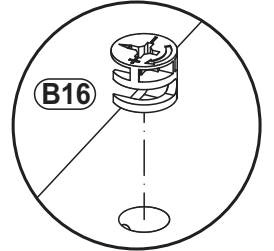
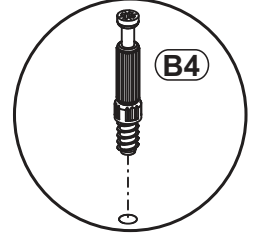
CROSS 28 ** CS PW

1

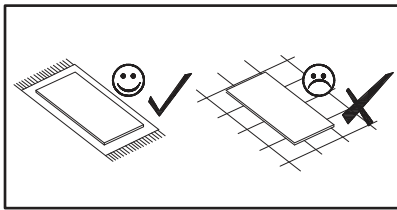


| | | | |
|----|--|-----|-------|
| B4 | | A1 | |
| x4 | | x12 | ø8x36 |

| | |
|-----|--------|
| B16 | |
| x4 | Ø15x16 |



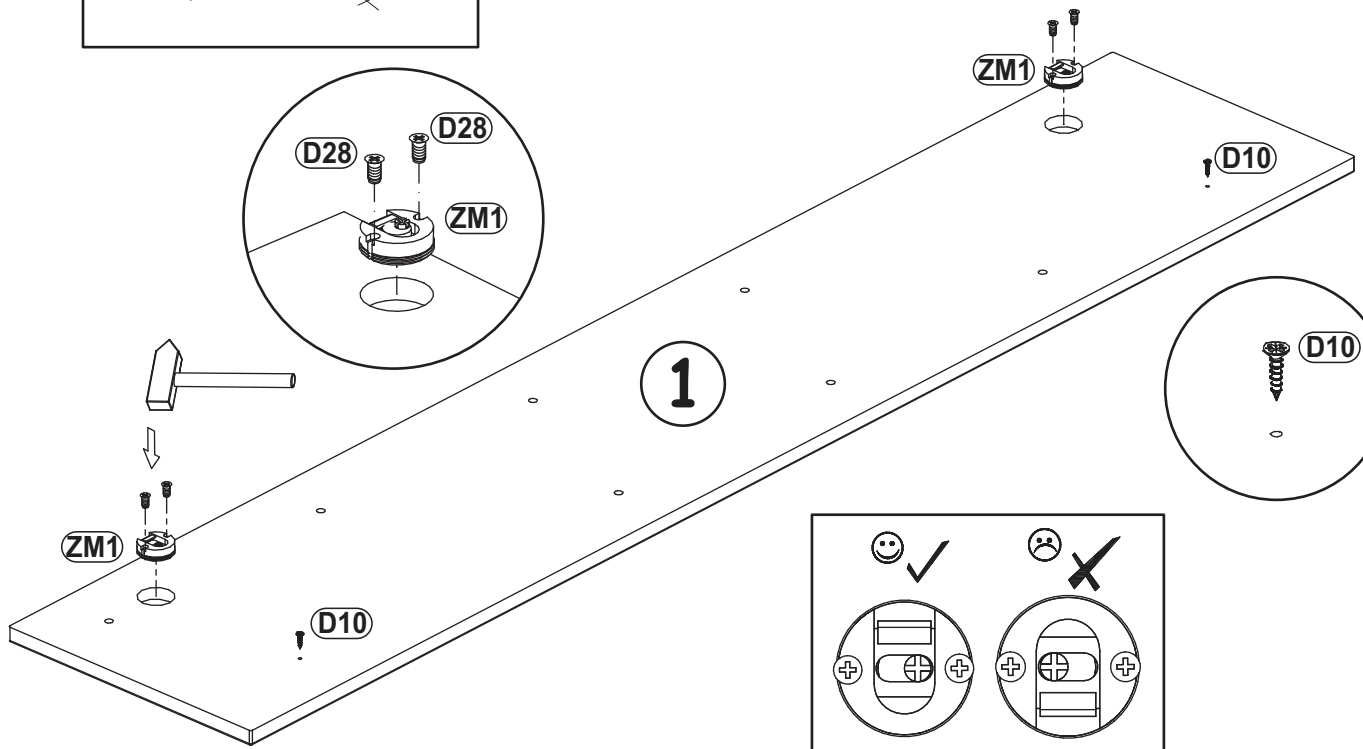
2



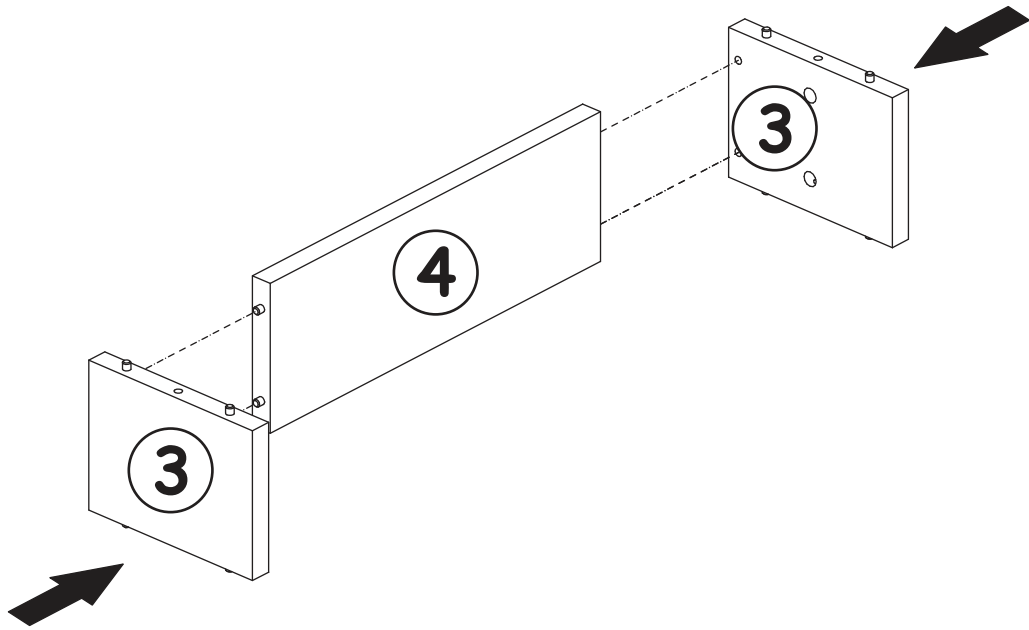
| | |
|-----|-----------|
| D10 | |
| x2 | USØ3,5x13 |

| | |
|-----|----------|
| D28 | |
| x4 | ESØ6x9,5 |

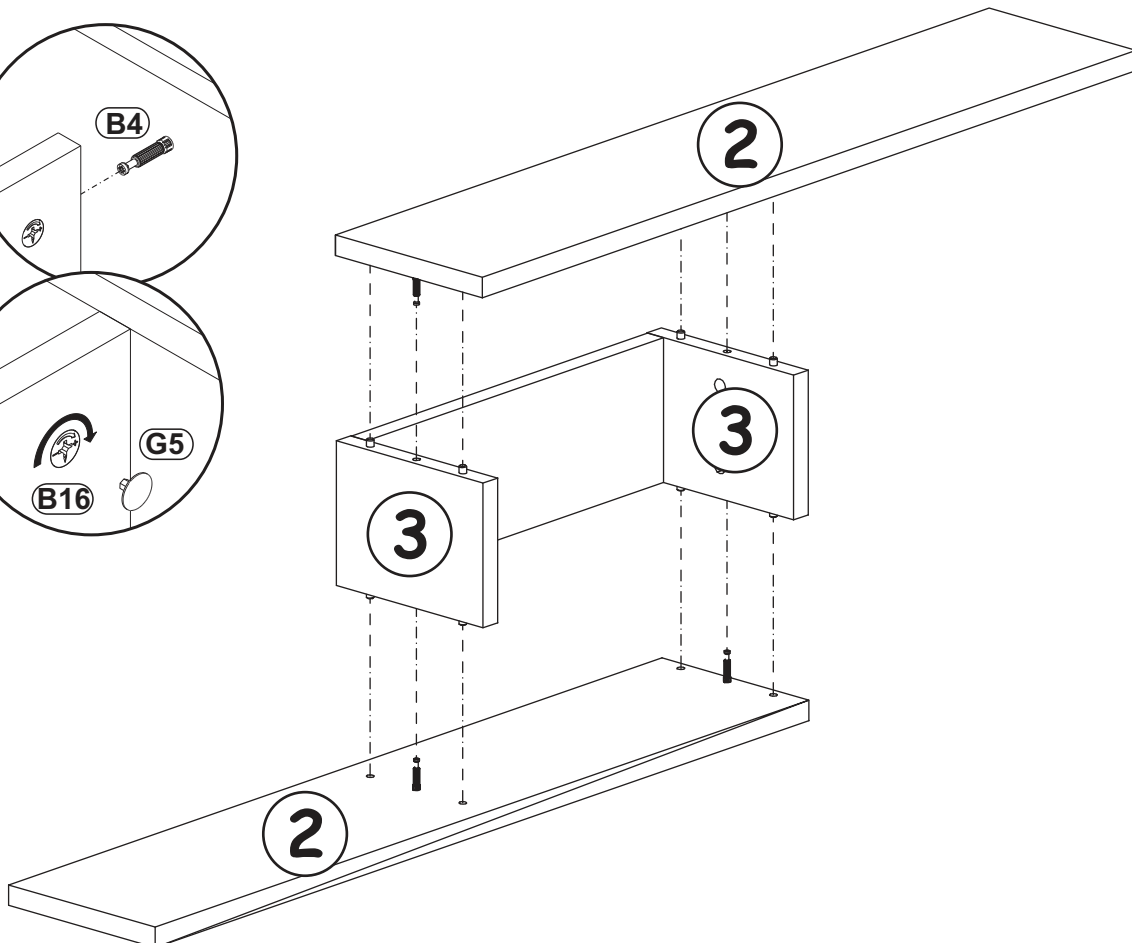
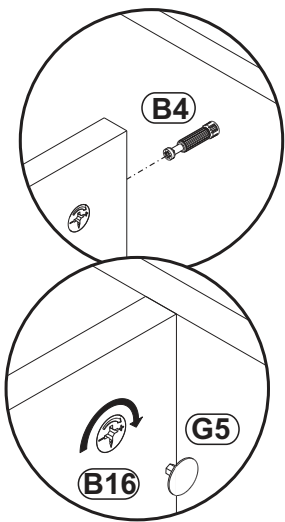
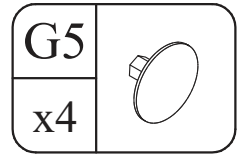
| | |
|-----|--|
| ZM1 | |
| x2 | |



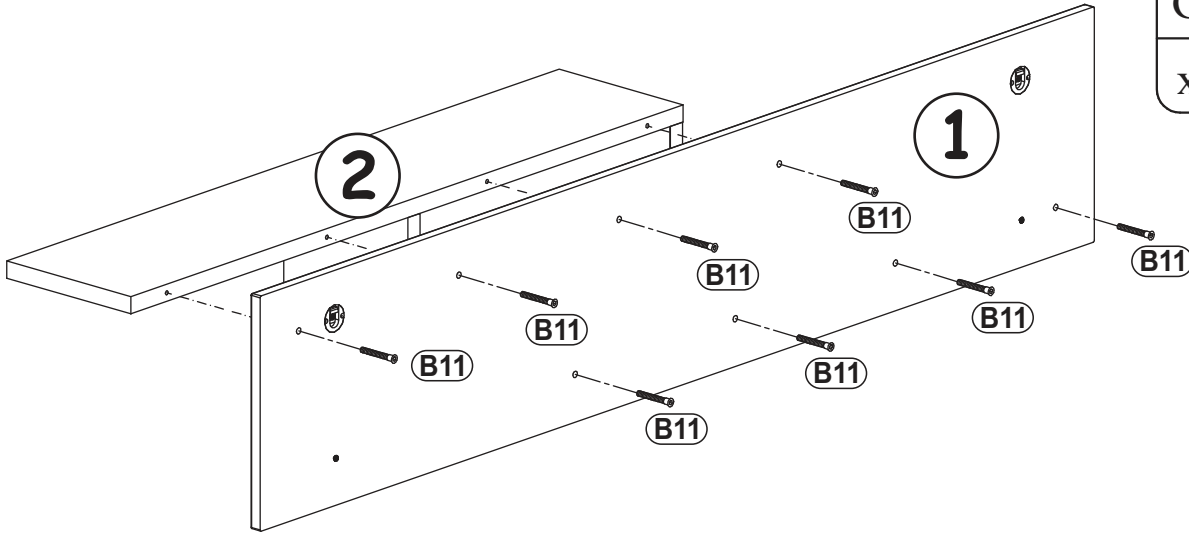
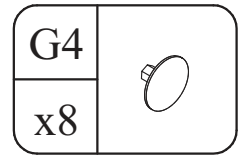
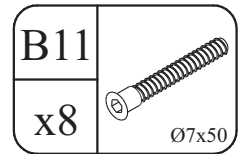
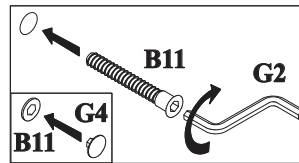
3



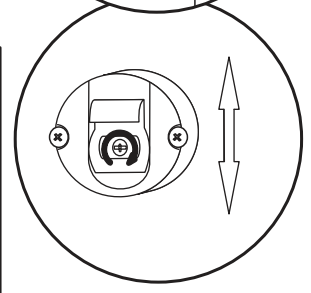
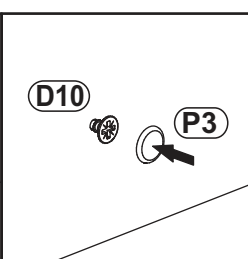
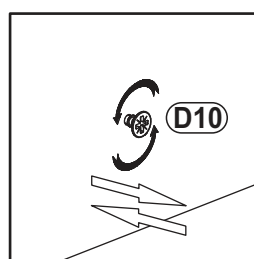
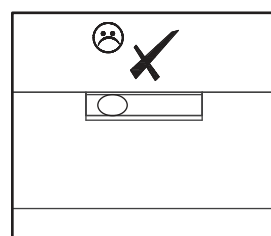
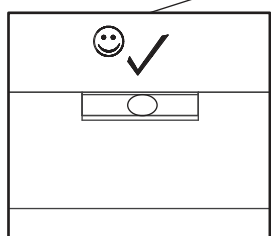
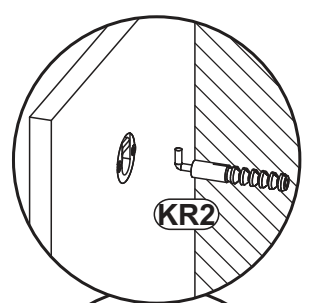
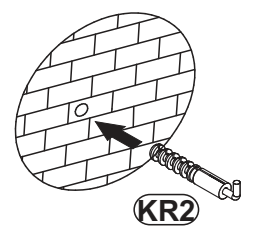
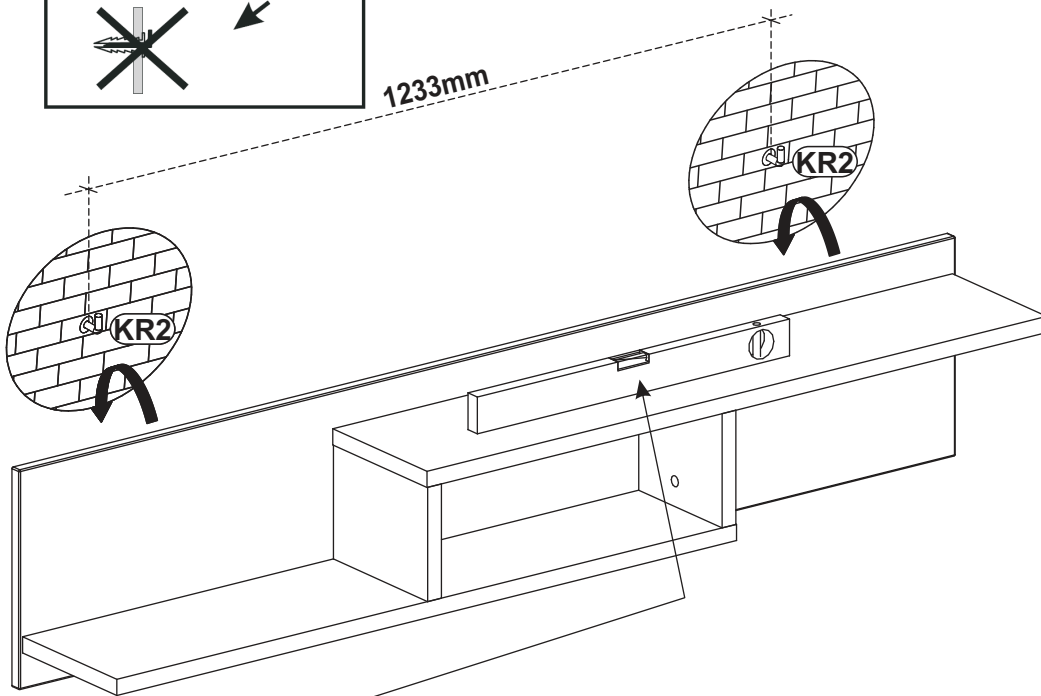
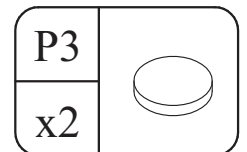
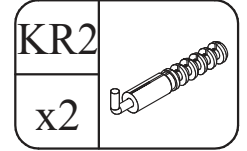
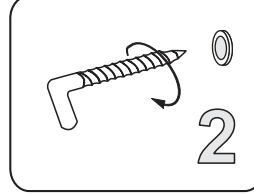
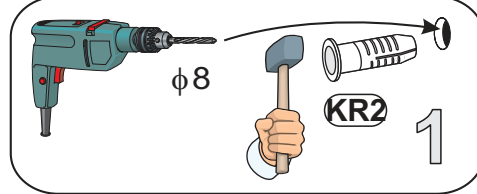
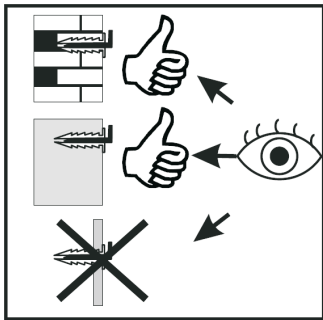
4



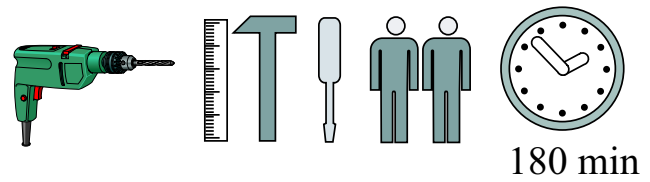
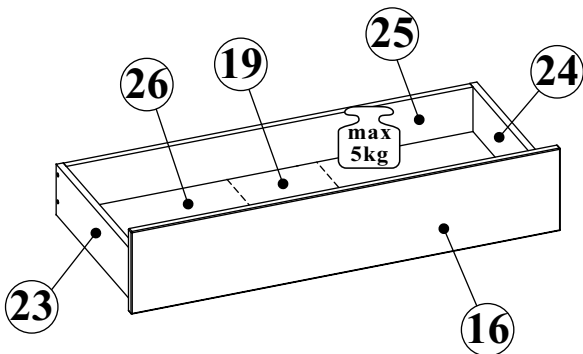
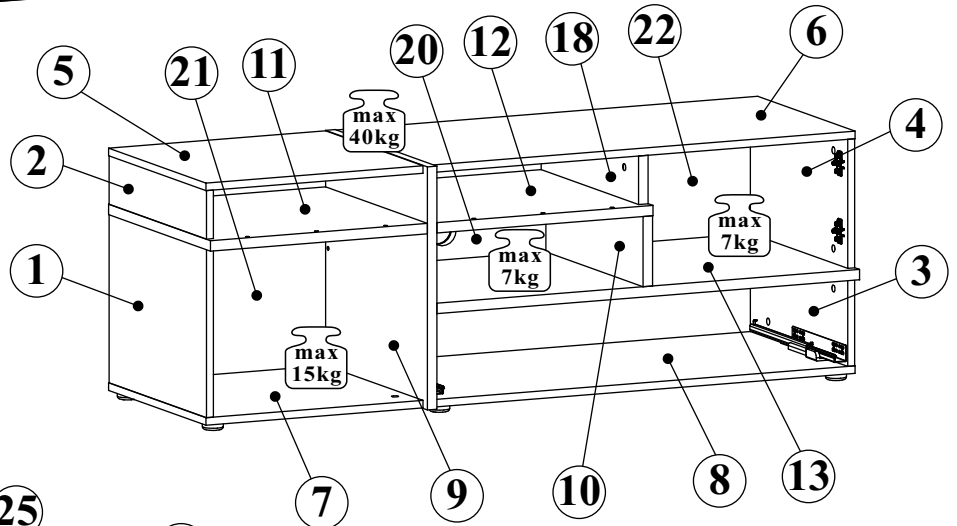
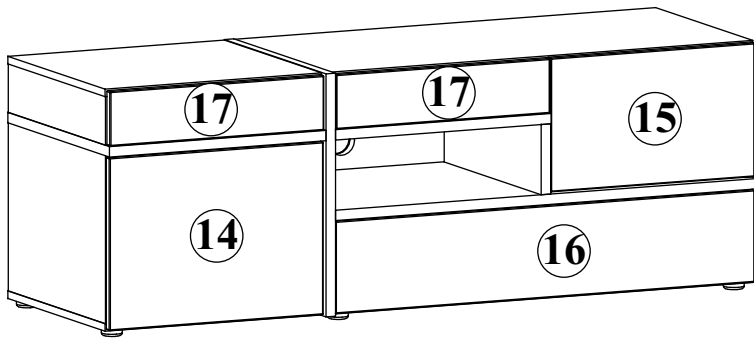
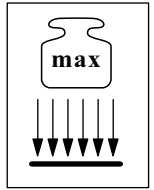
5



6



CROSS 28 ** CS RTV

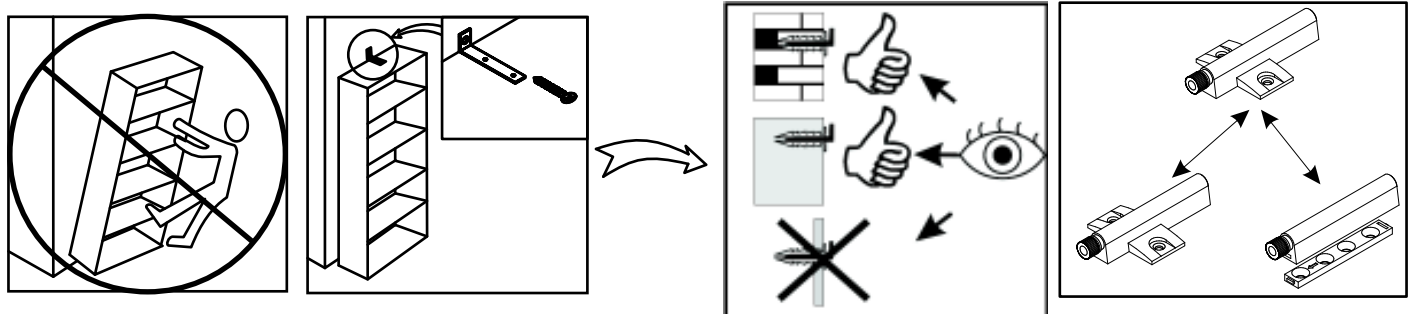
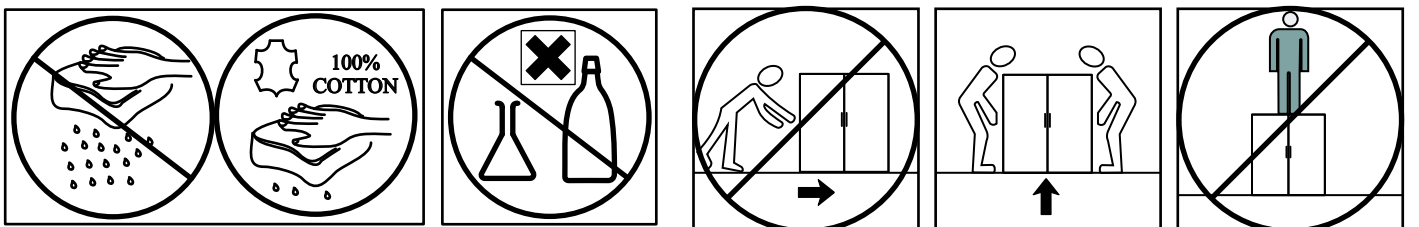
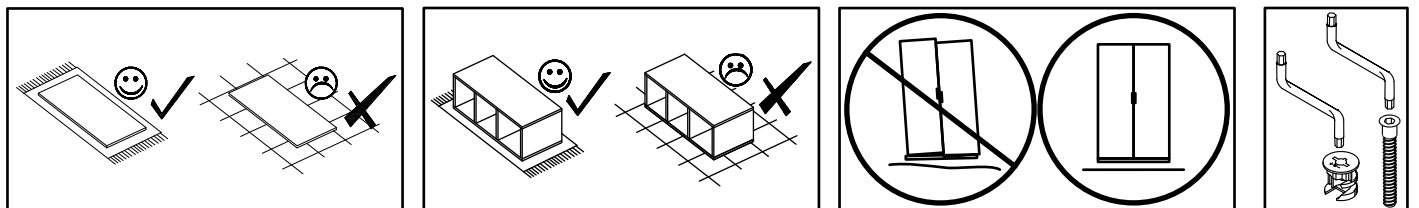
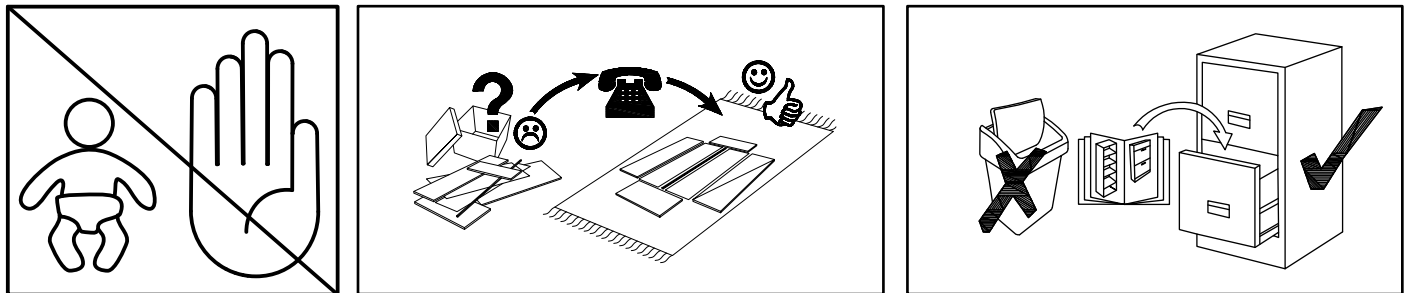
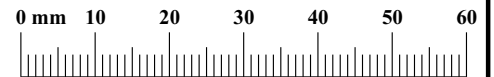


| NO | Dim. | | | Col.-No | Qty |
|----|------|-----|----|---------|-----|
| 1 | 357 | 477 | 16 | 2 | 1 |
| 2 | 103 | 477 | 16 | 2 | 1 |
| 3 | 186 | 477 | 16 | 2 | 1 |
| 4 | 274 | 477 | 16 | 2 | 1 |
| 5 | 502 | 477 | 16 | 2 | 1 |
| 6 | 978 | 477 | 16 | 2 | 1 |
| 7 | 502 | 477 | 16 | 2 | 1 |
| 8 | 978 | 477 | 16 | 2 | 1 |
| 9 | 516 | 499 | 22 | 1 | 1 |
| 10 | 149 | 499 | 22 | 1 | 1 |
| 11 | 502 | 499 | 22 | 1 | 1 |
| 12 | 500 | 499 | 22 | 1 | 1 |
| 13 | 978 | 499 | 22 | 1 | 1 |

| NO | Dim. | | | Col.-No | Qty |
|----|------|-----|----|---------|-----|
| 14 | 367 | 496 | 16 | 1 | 1 |
| 15 | 284 | 473 | 16 | 1 | 1 |
| 16 | 196 | 972 | 16 | 1 | 1 |
| 17 | 116 | 496 | 16 | 1 | 2 |
| 18 | 103 | 477 | 22 | 1 | 1 |
| 19 | 400 | 184 | 16 | 2 | 1 |
| 20 | 476 | 148 | 22 | 1 | 1 |
| 21 | 508 | 509 | 3 | 1 | 1 |
| 22 | 508 | 985 | 3 | 1 | 1 |
| 23 | 400 | 120 | 16 | 2 | 1 |
| 24 | 400 | 120 | 16 | 2 | 1 |
| 25 | 921 | 106 | 16 | 2 | 1 |
| 26 | 404 | 933 | 3 | 2 | 1 |

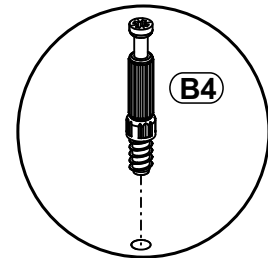
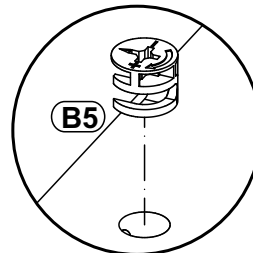
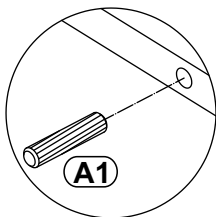
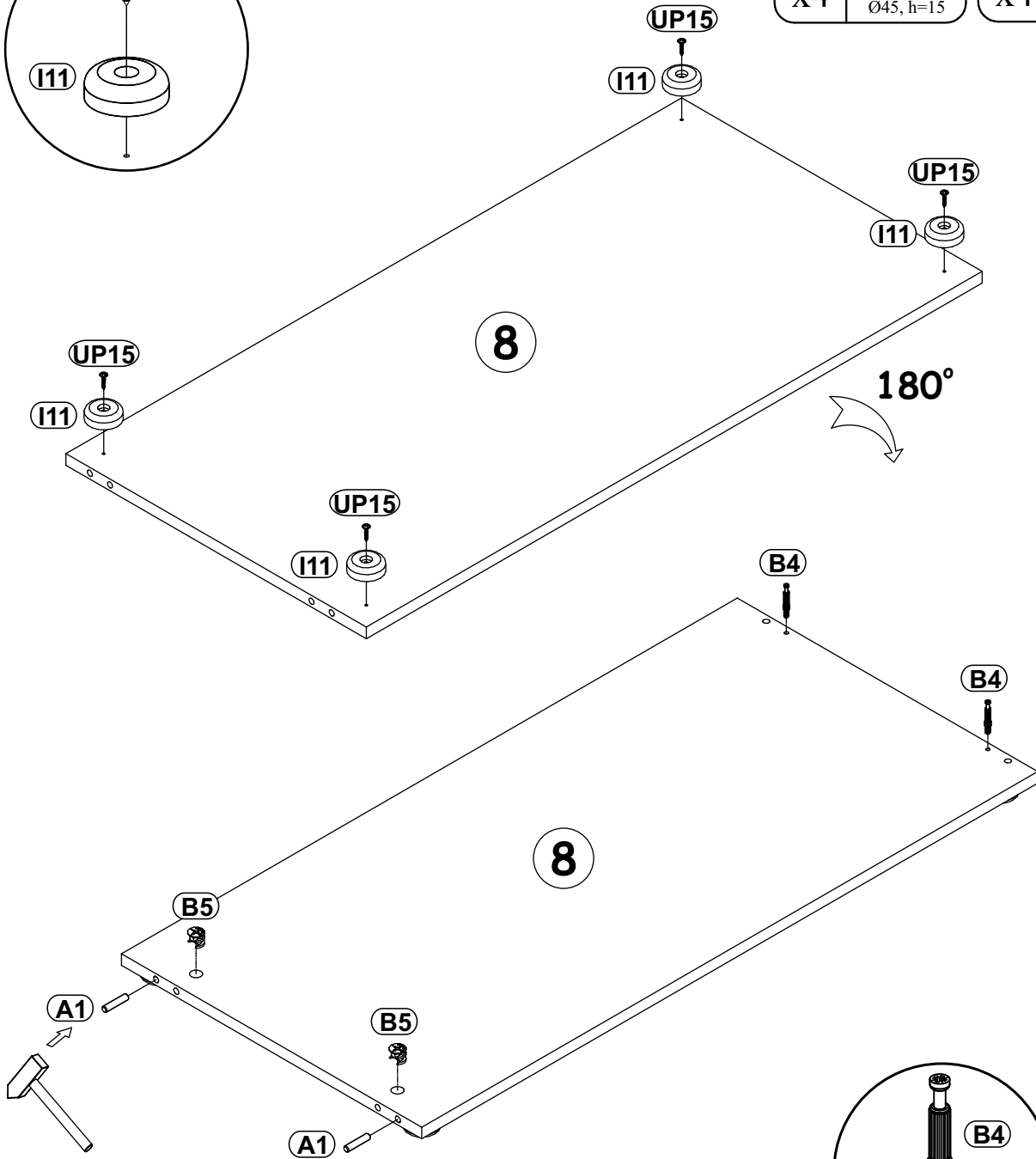
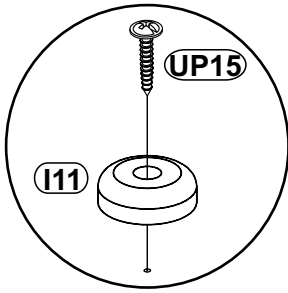
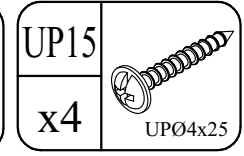
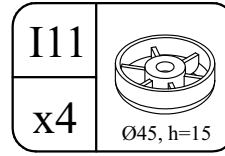
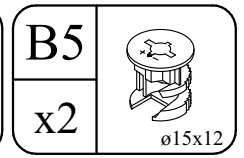
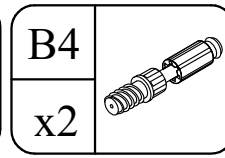
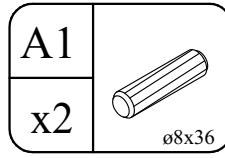
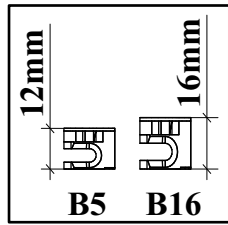
CROSS 28 ** CS RTV

| | | | | | |
|-------------------------|-----------------------|-------------------------|---------------------|-------------------------|----------------------|
| A1 x42 ø8x36 | B4 x18 | B6 x10 Ø7x76 | B5 x26 ø15x12 | B16 x12 Ø15x16 | G5 x38 |
| E21 x4 Ø35 H=0 | E2 x4 H=0 | D10 x18 USØ3,5x13 | QU x1 L=400mm | D20 x4 ESØ6,3x9,5 | UP6 x2 UPØ4x30 |
| S1 x2 | G16 x4 | UP13 x44 UPØ3x16 | B11 x4 Ø7x50 | B15 x10 Ø7x60 | G4 x14 |
| I11 x6 Ø45, h=15 | UP15 x6 UPØ4x25 | T3/T5 x2 | KR1 x1 | L1 x1 | G2 x1 |



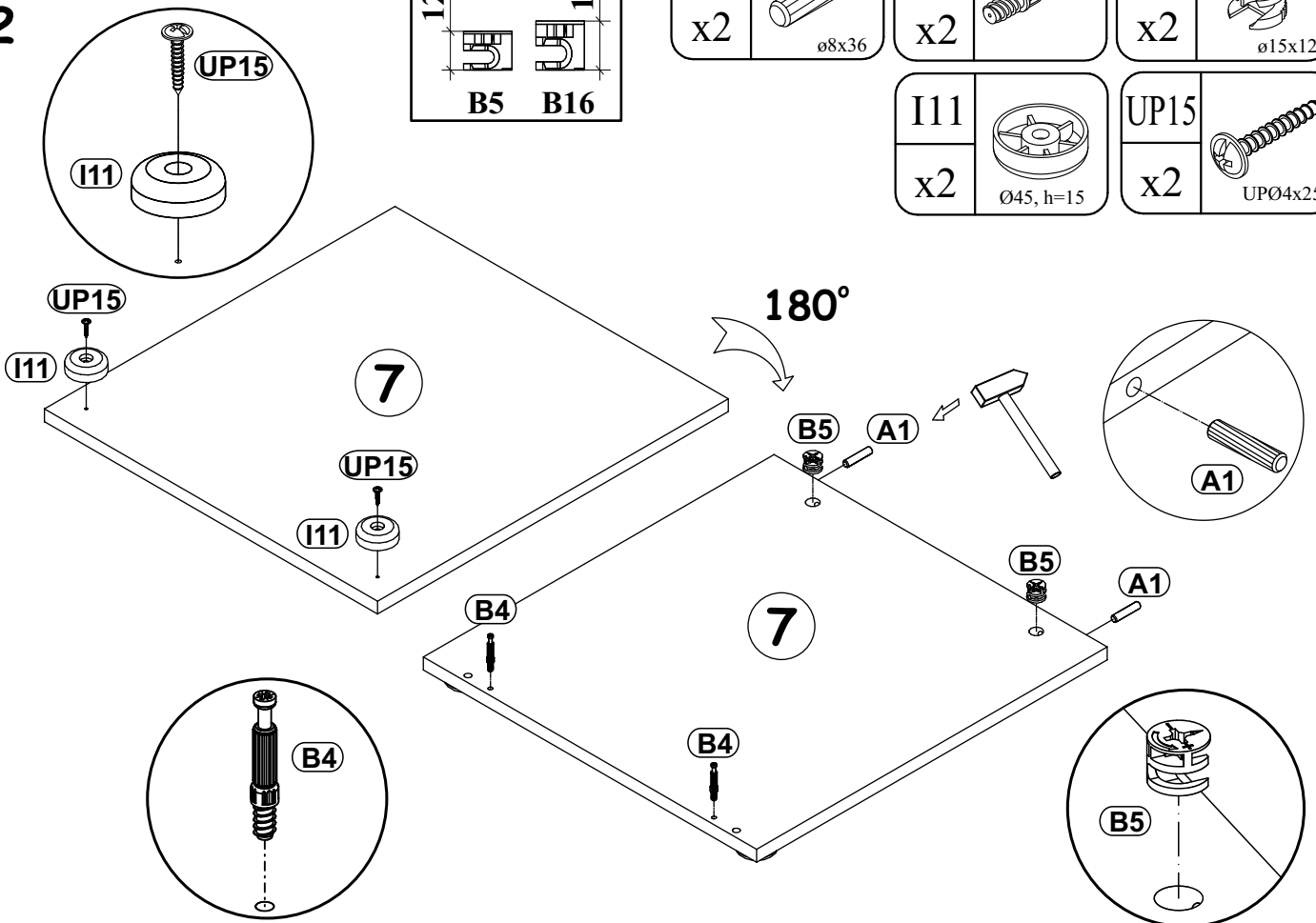
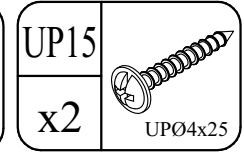
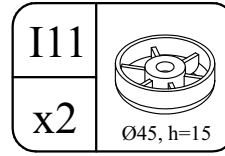
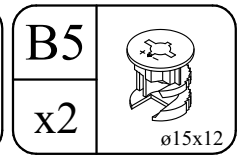
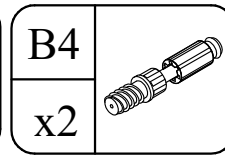
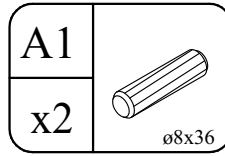
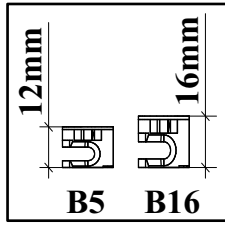
CROSS 28 ** CS RTV

1

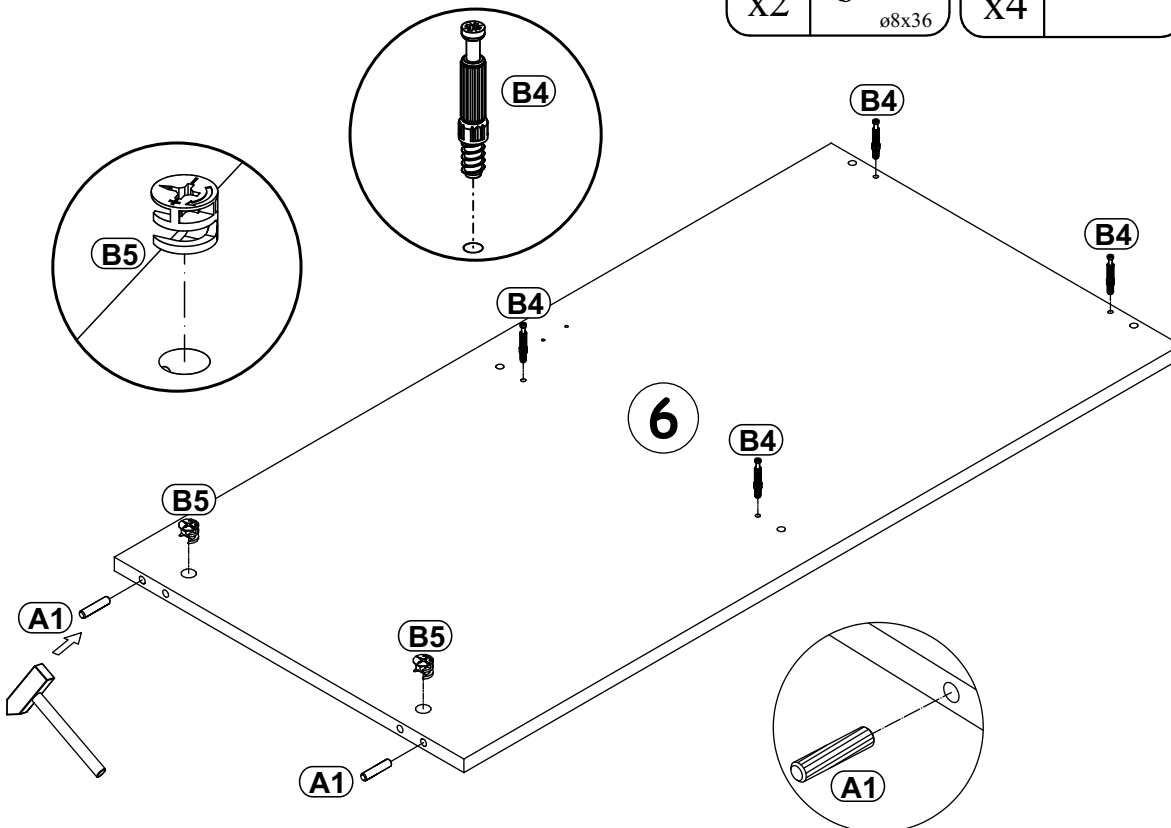
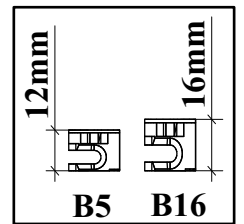
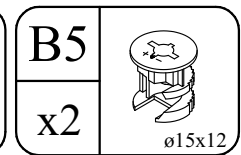
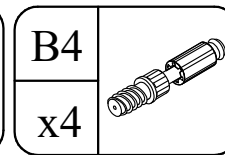
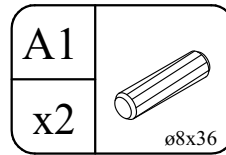


CROSS 28 ** CS RTV

2

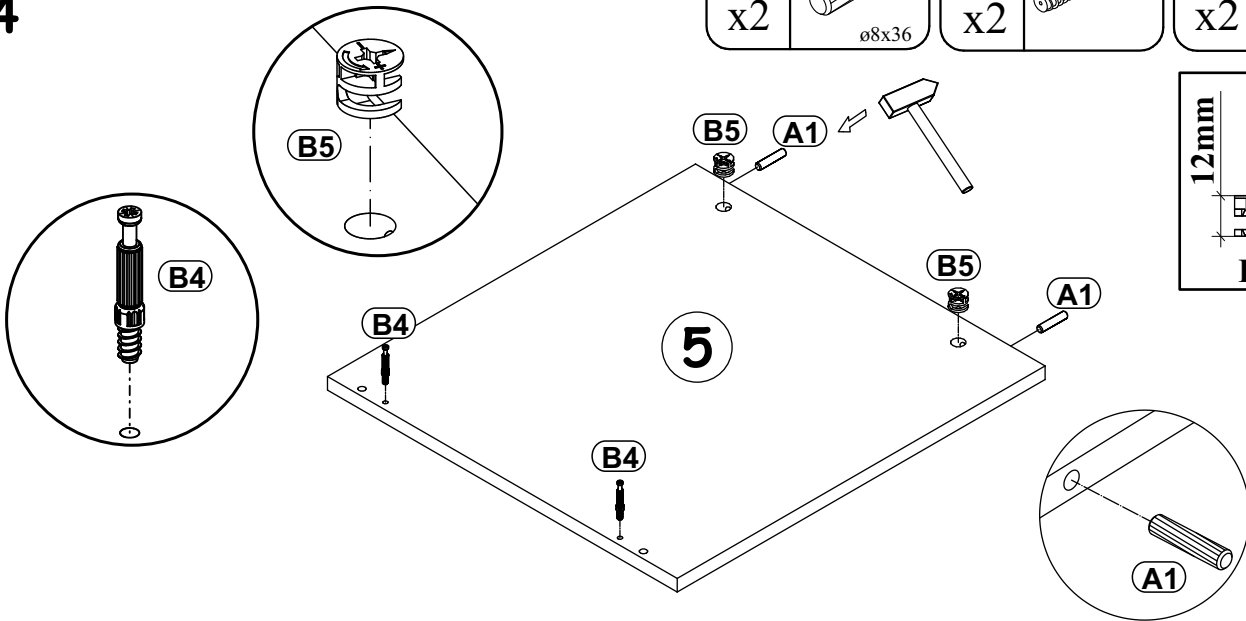
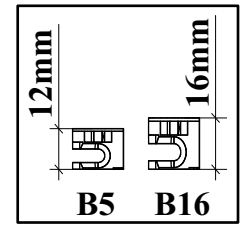
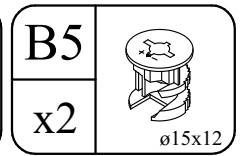
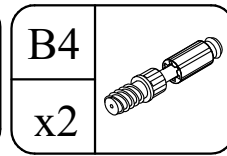
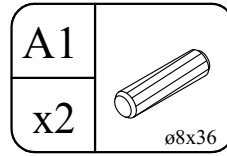


3

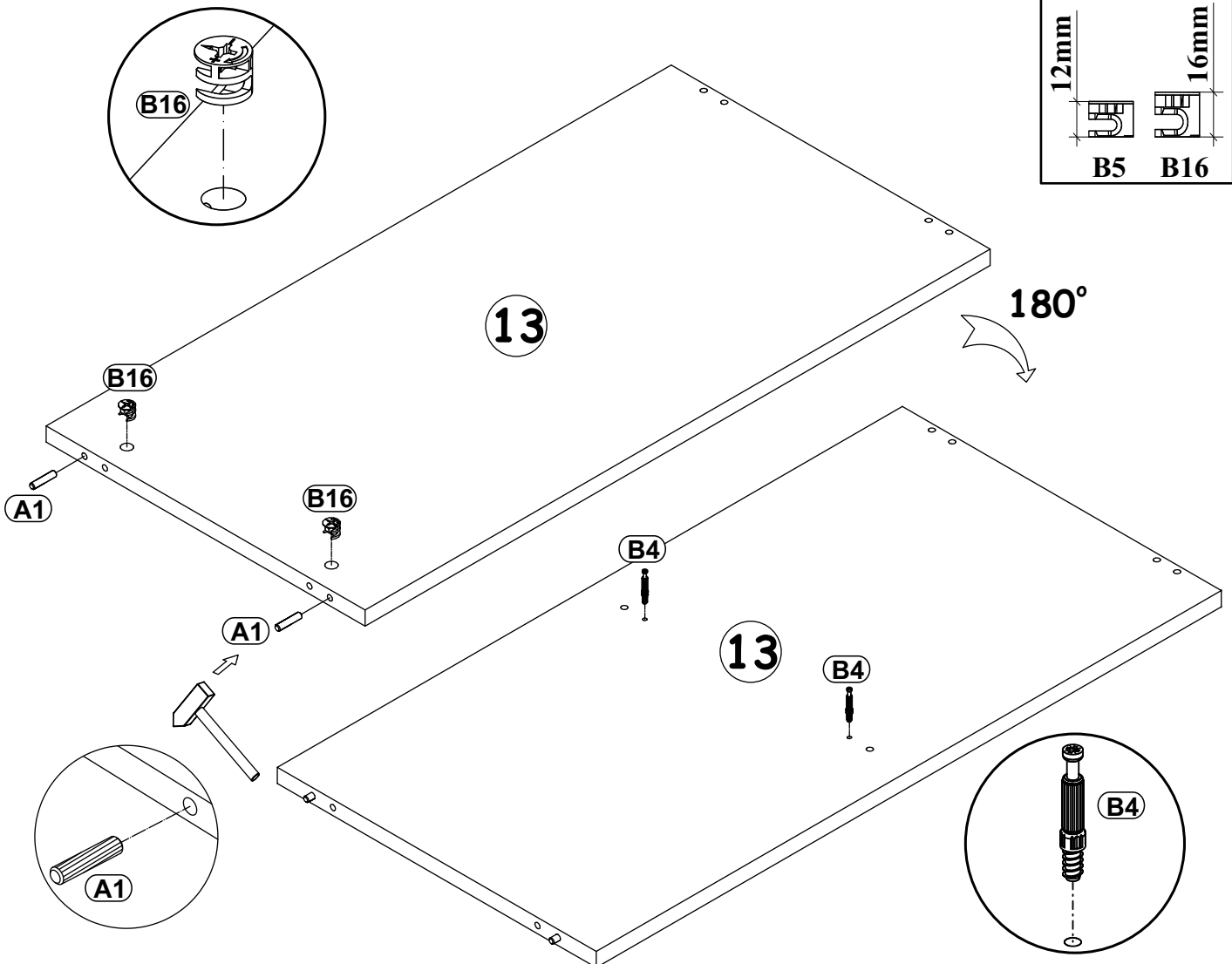
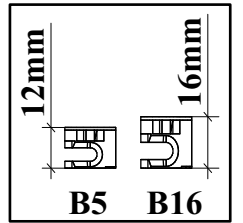
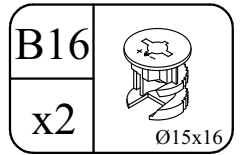
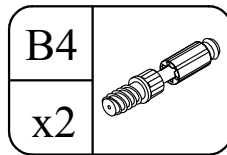
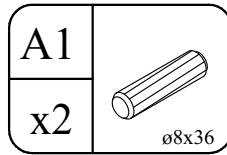


CROSS 28 ** CS RTV

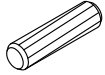

4





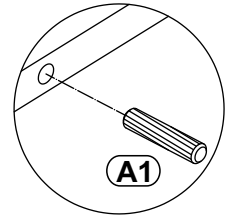
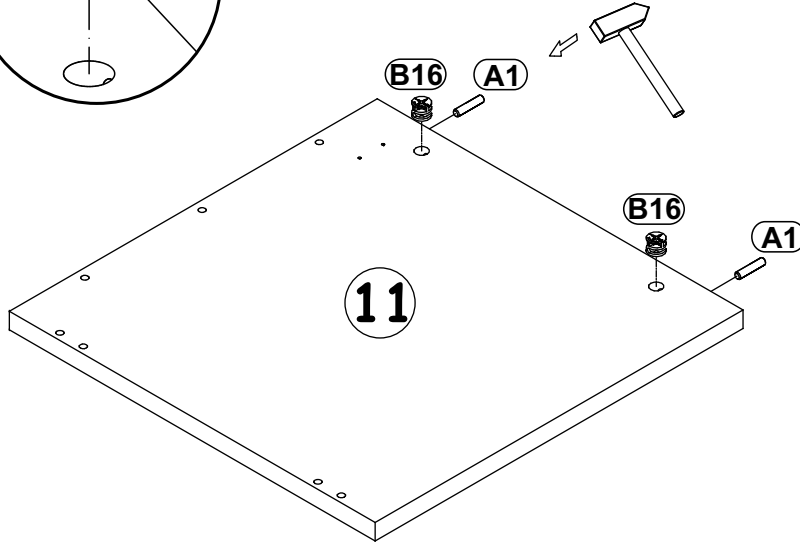
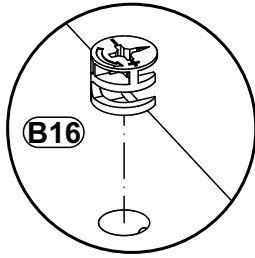
5



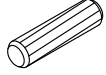
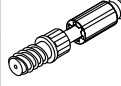

6



| | | | |
|----|---|-----|---|
| A1 |  | B16 |  |
| x2 | ø8x36 | x2 | Ø15x16 |

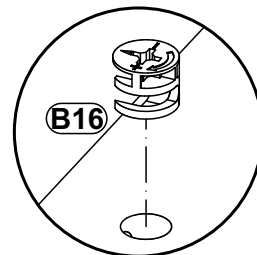
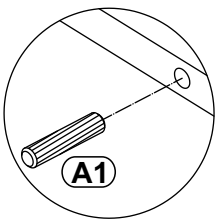
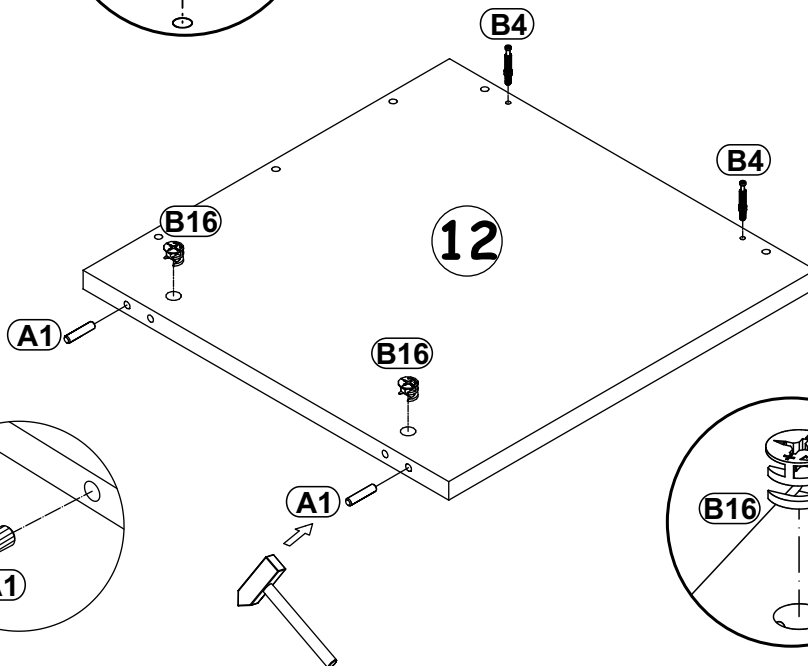
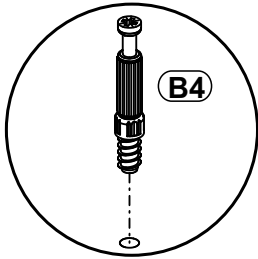
| | | | |
|------|---|------|---|
| 12mm |  | 16mm |  |
| | B5 | | B16 |



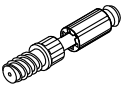
7

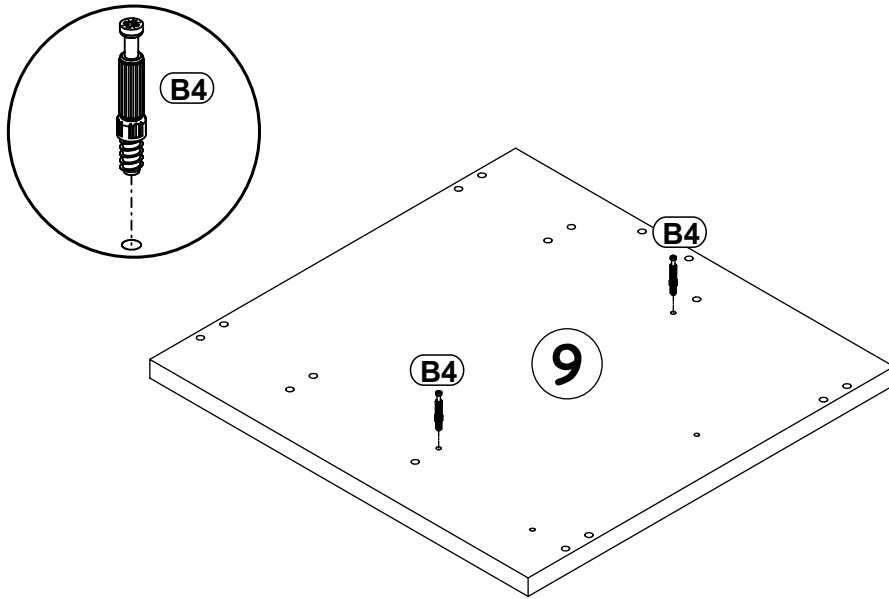
| | | | | | |
|----|--|----|---|-----|---|
| A1 |  | B4 |  | B16 |  |
| x2 | ø8x36 | x2 | | x2 | Ø15x16 |

| | | | |
|------|---|------|---|
| 12mm |  | 16mm |  |
| | B5 | | B16 |

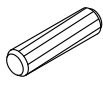


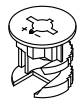
8

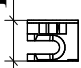
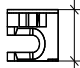
| | |
|----|---|
| B4 |  |
| x2 | |

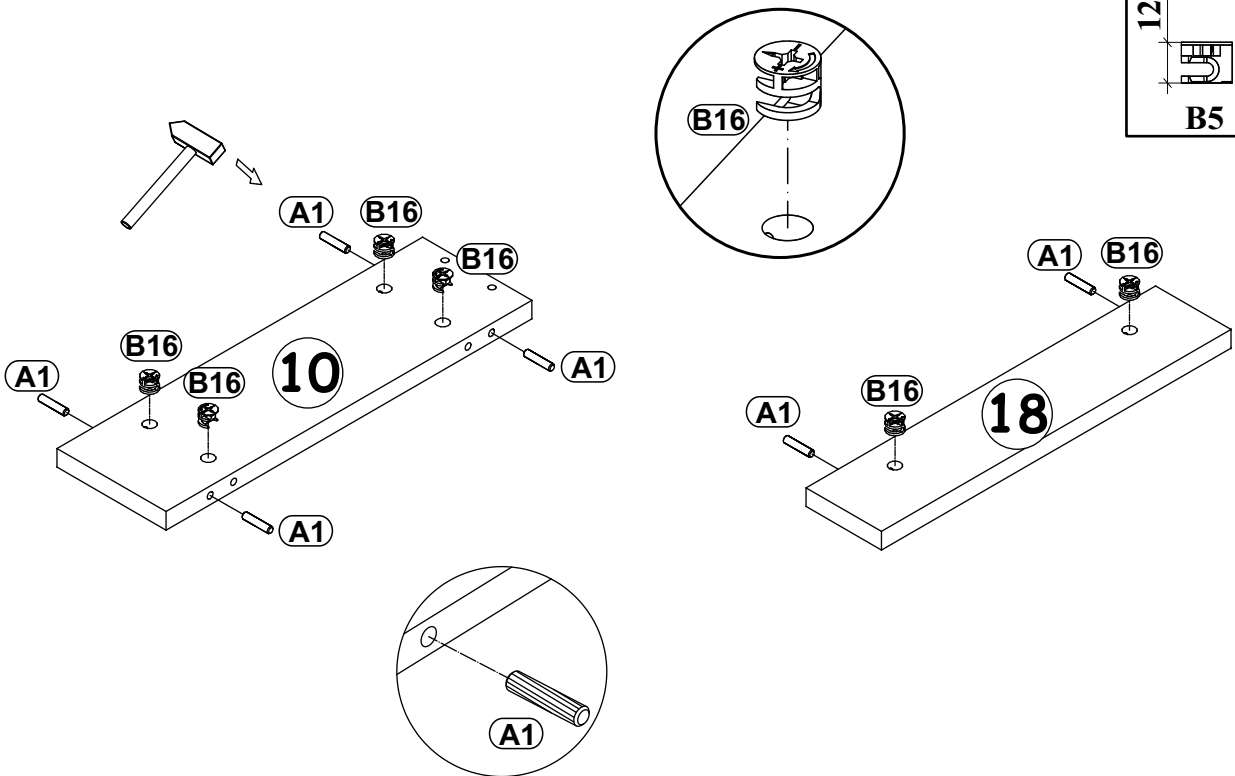


9

| | |
|----|---|
| A1 |  |
| x6 | ø8x36 |

| | |
|-----|---|
| B16 |  |
| x6 | Ø15x16 |

| | | | |
|------|---|------|---|
| 12mm |  | 16mm |  |
| | B5 | | B16 |

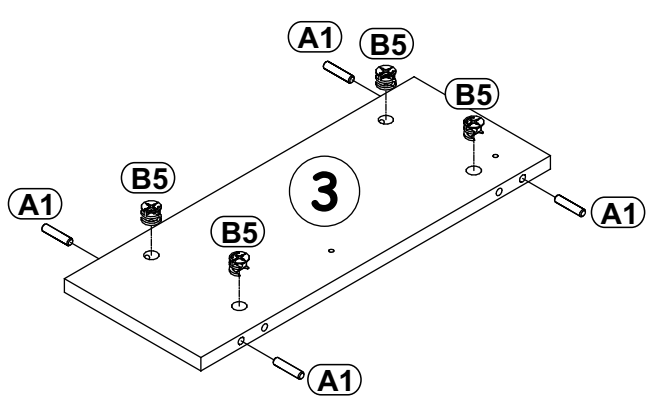
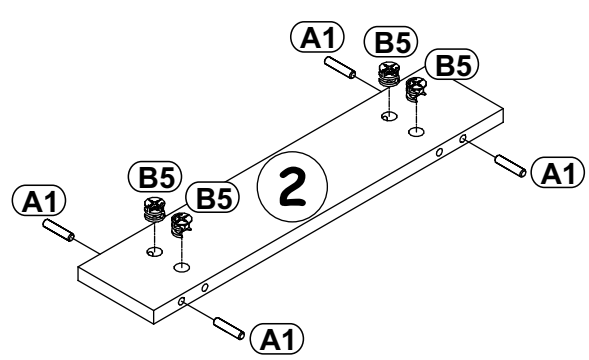
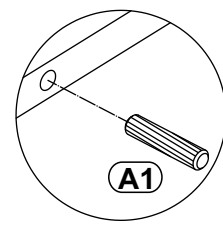
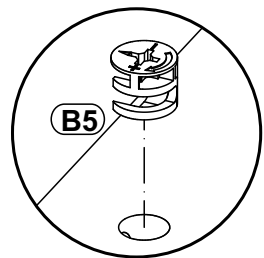
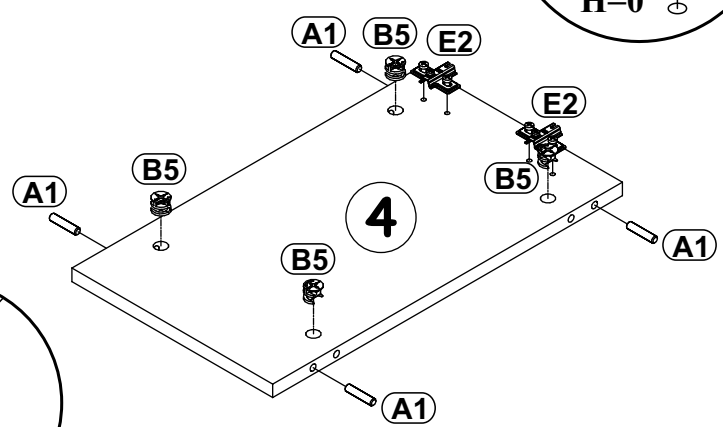
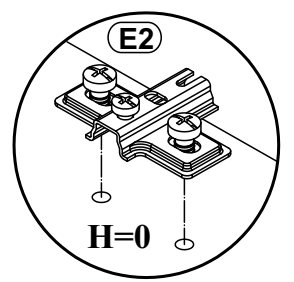
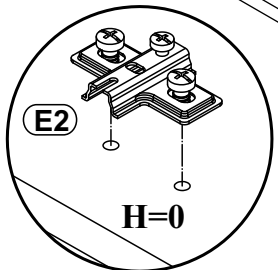
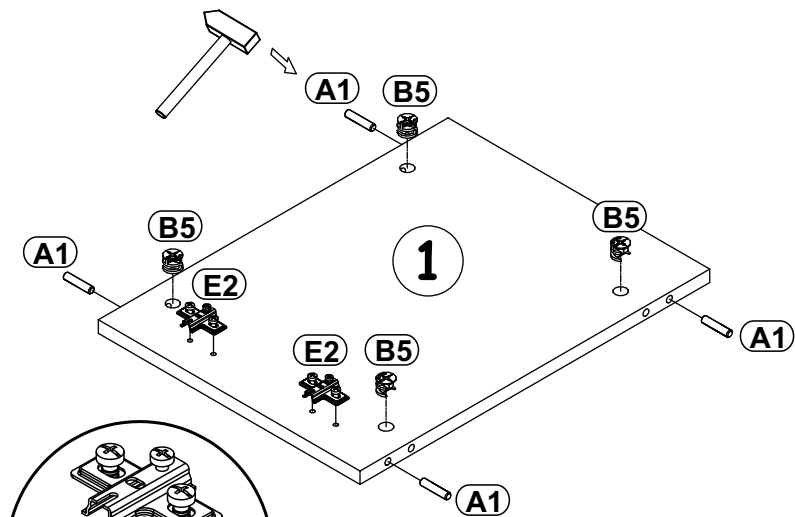
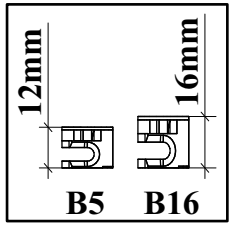


10

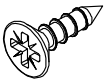
| | |
|----|-----|
| E2 | |
| x4 | H=0 |

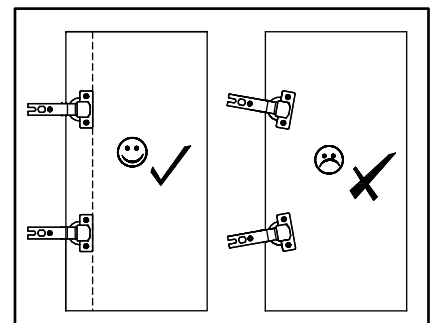
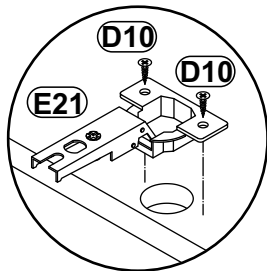
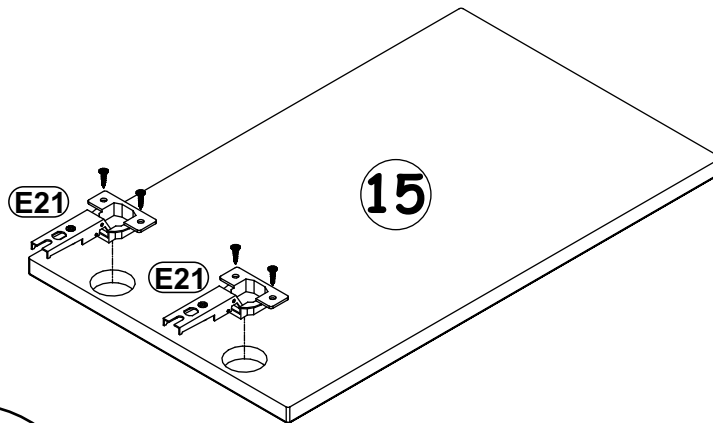
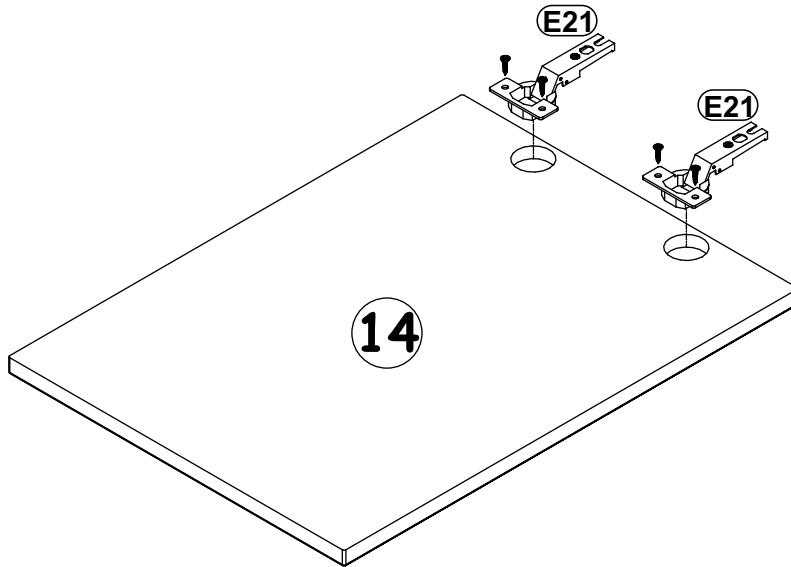
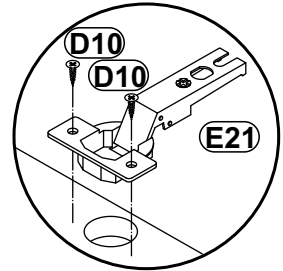
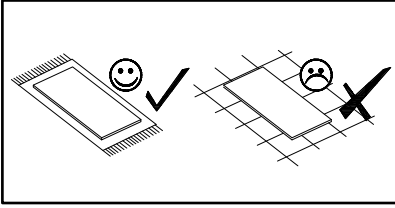
| | |
|-----|-------|
| A1 | |
| x16 | ø8x36 |

| | |
|-----|--------|
| B5 | |
| x16 | ø15x12 |

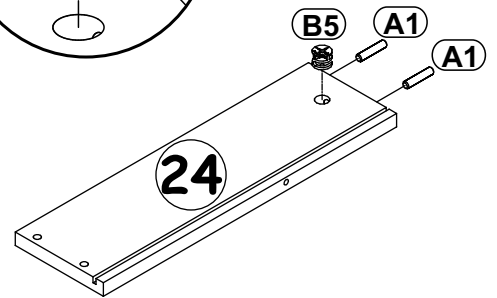
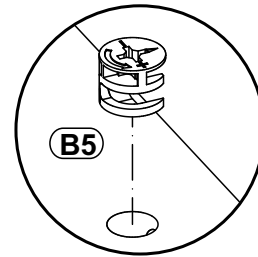
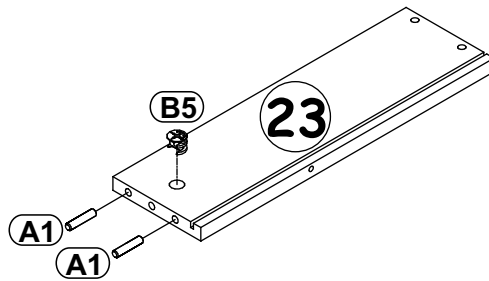
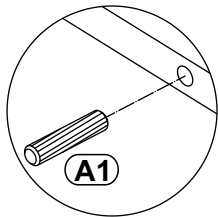
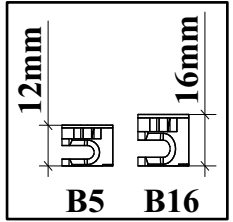
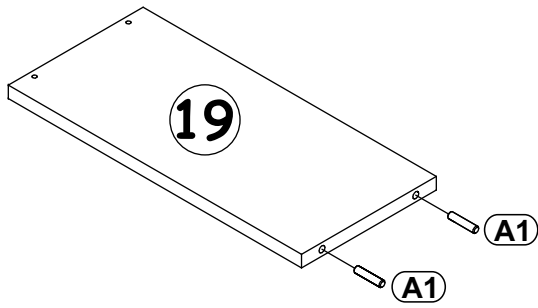
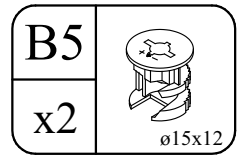
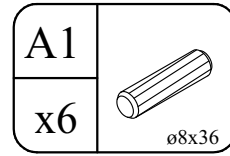


11

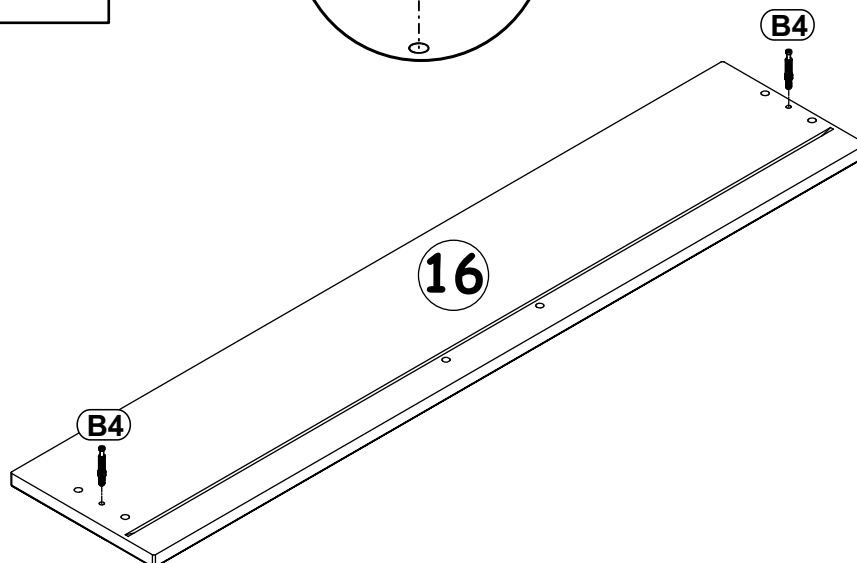
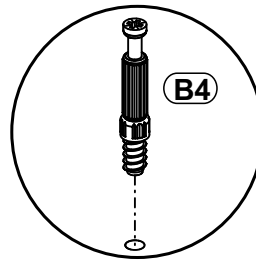
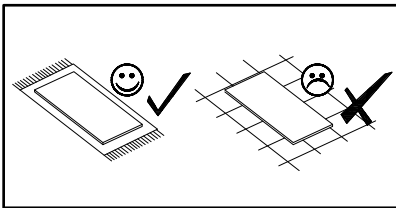
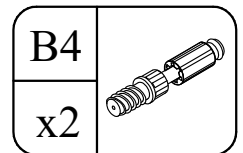
| | | | |
|-----|-----|-----|--|
| E21 | Ø35 | D10 |  USØ3,5x13 |
| x4 | H=0 | x8 | |



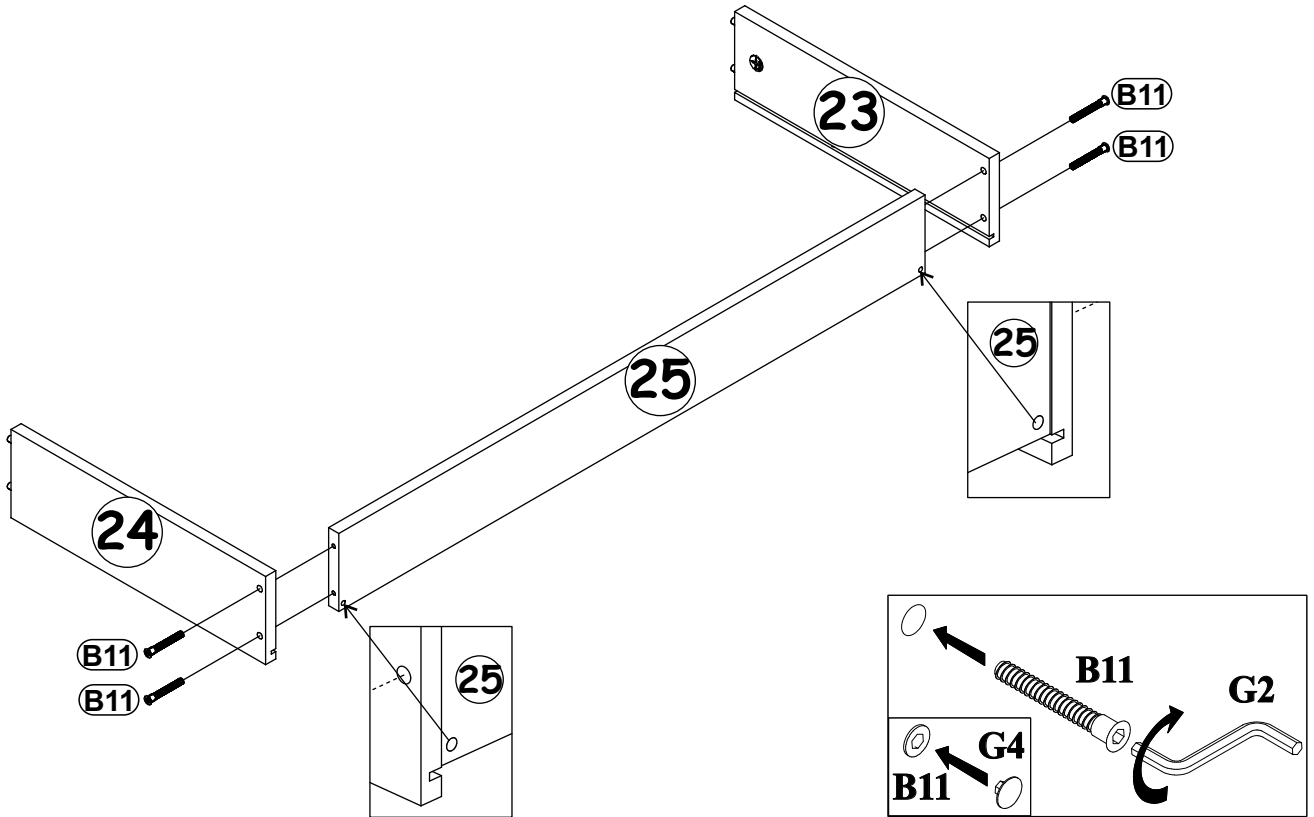
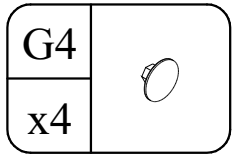
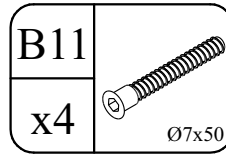
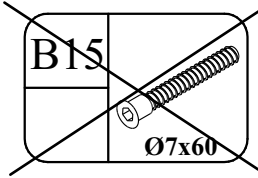
12



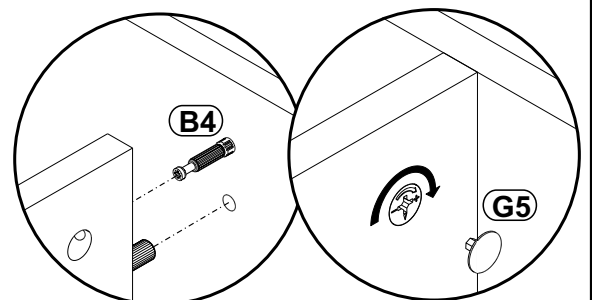
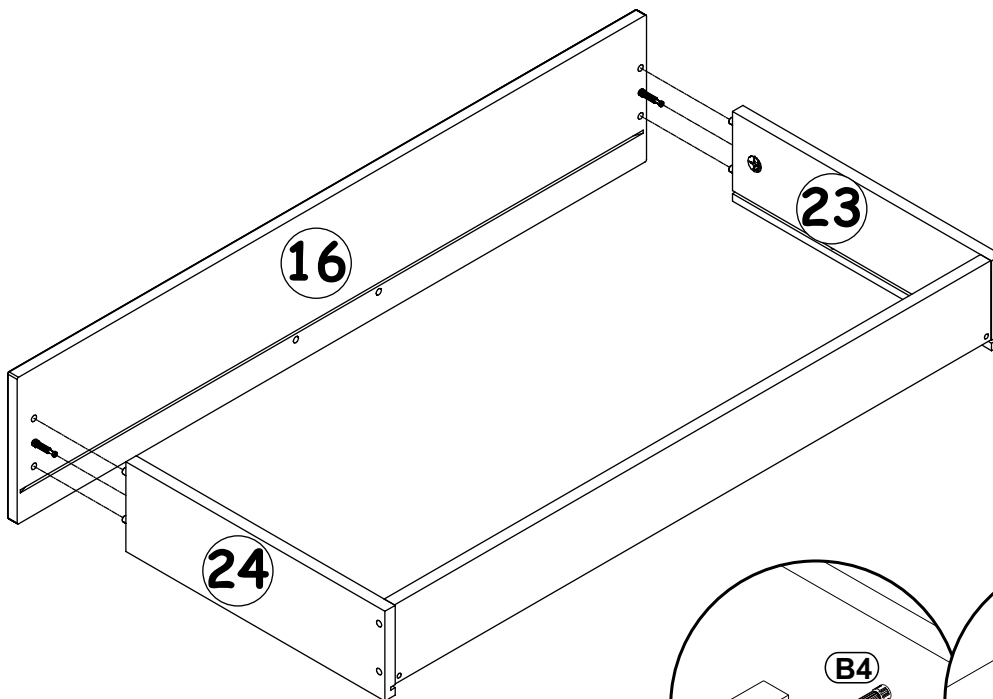
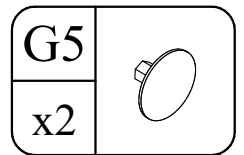
13



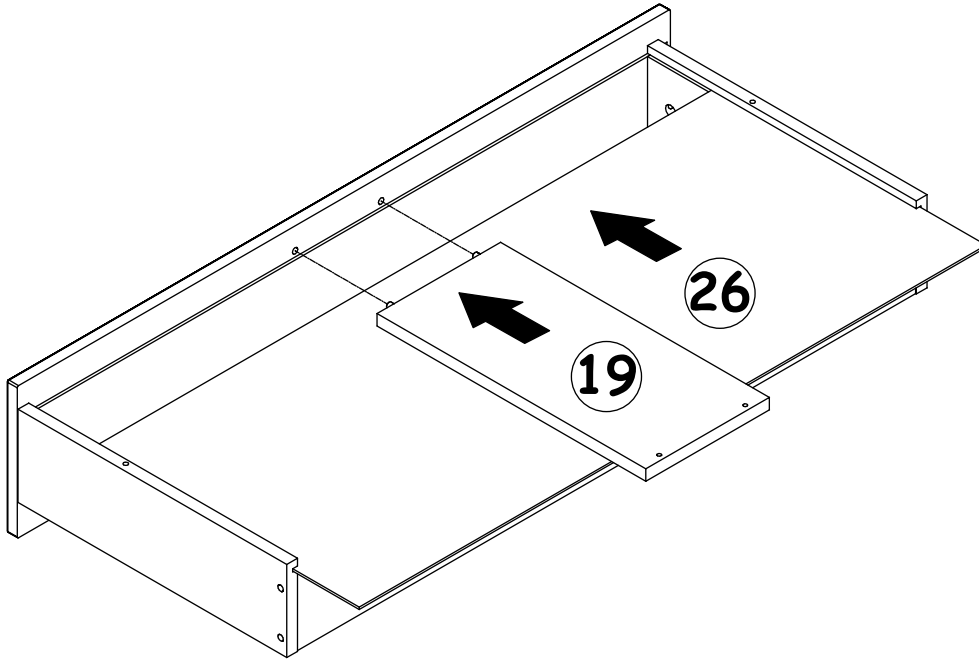
14



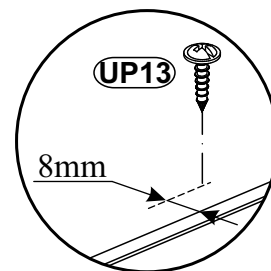
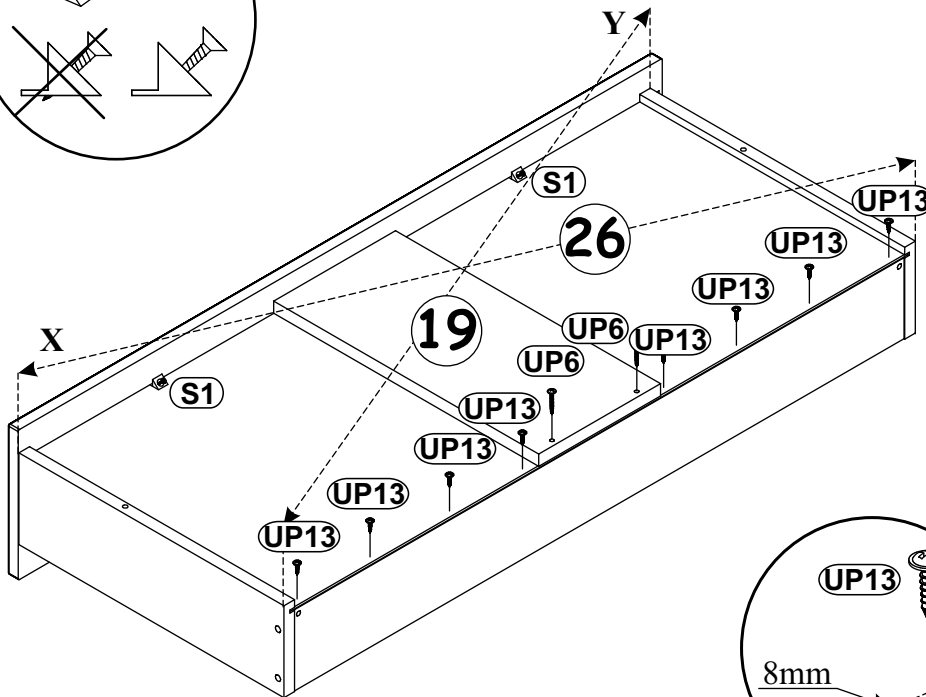
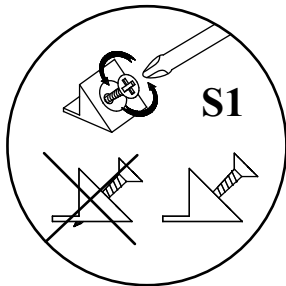
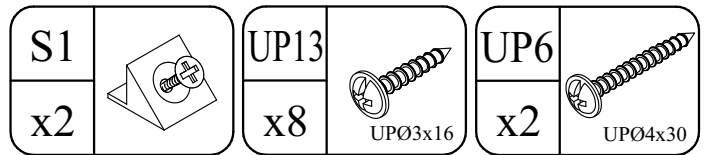
15



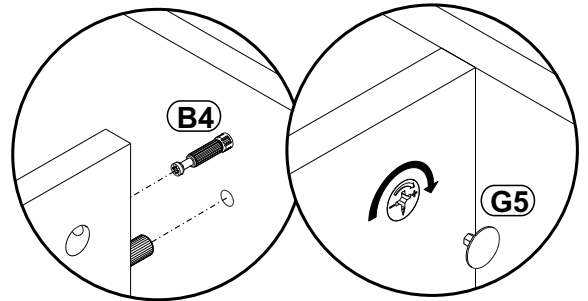
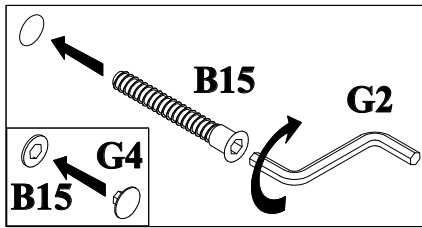
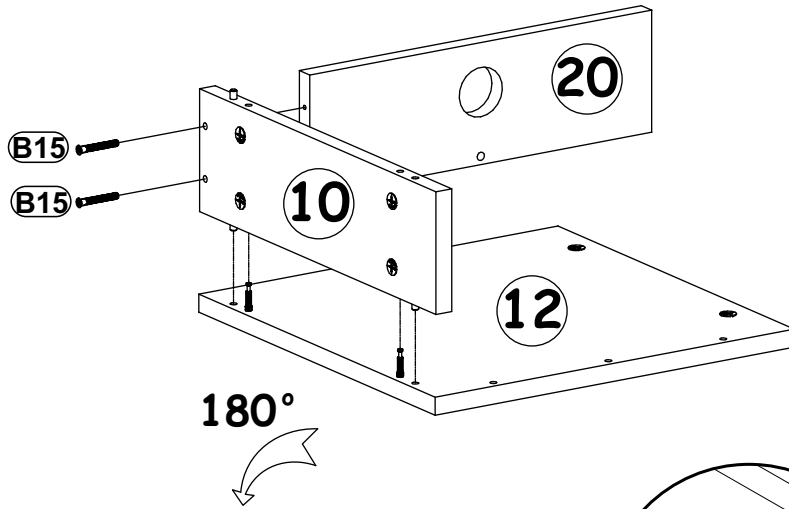
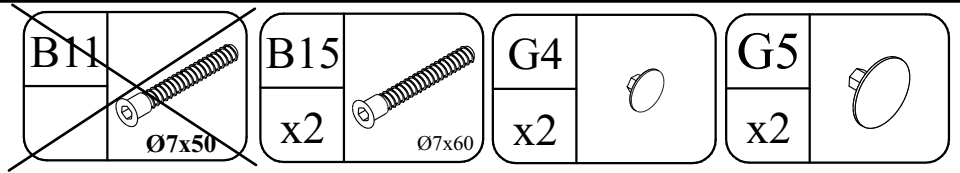
16



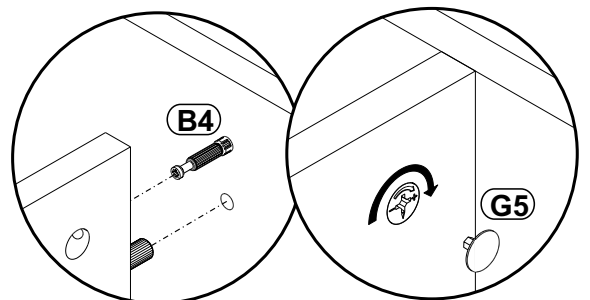
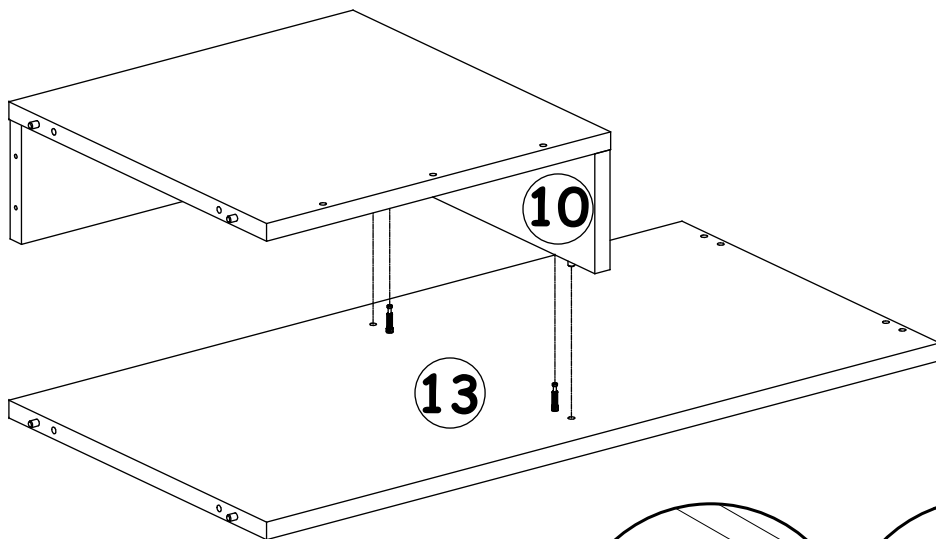
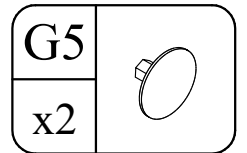
17



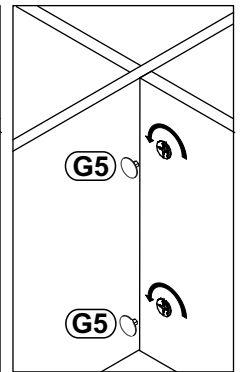
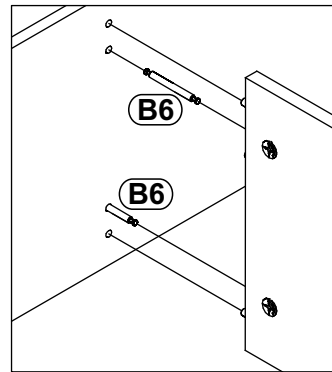
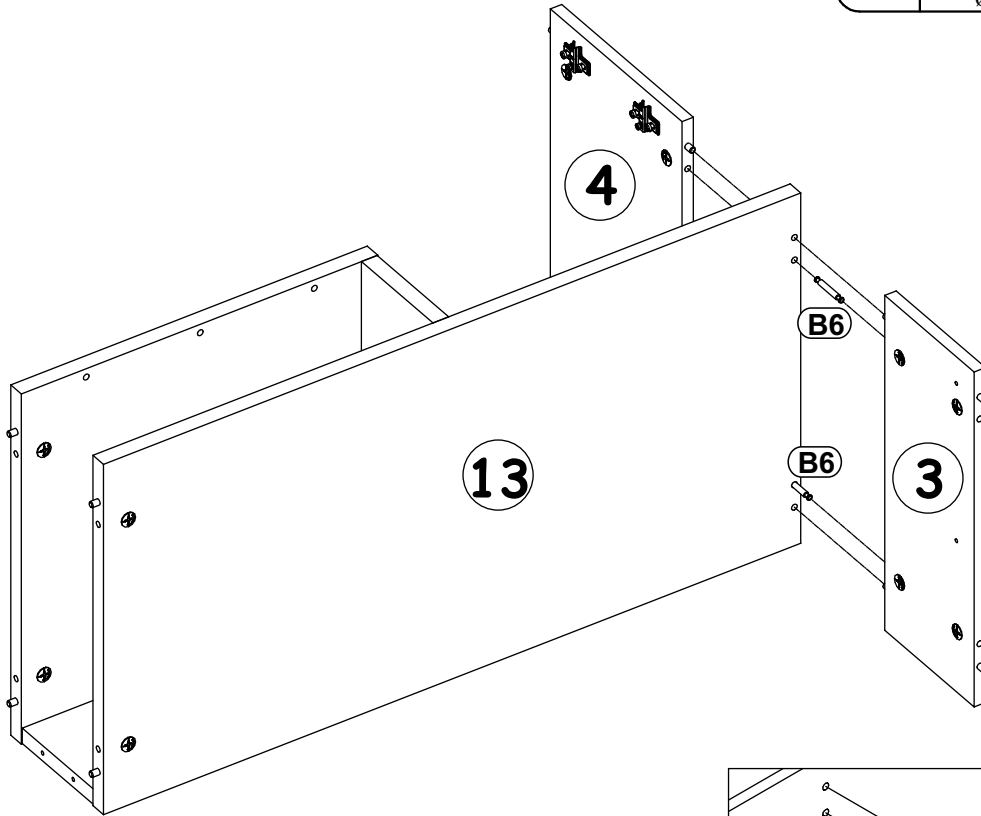
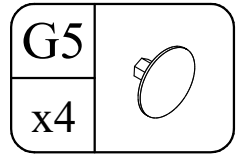
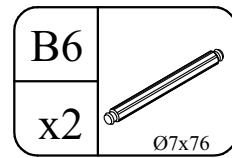
18



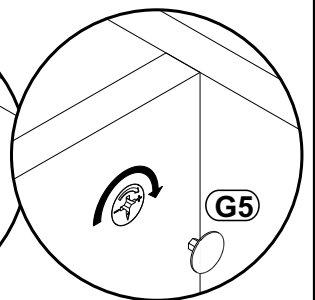
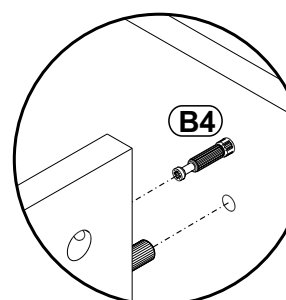
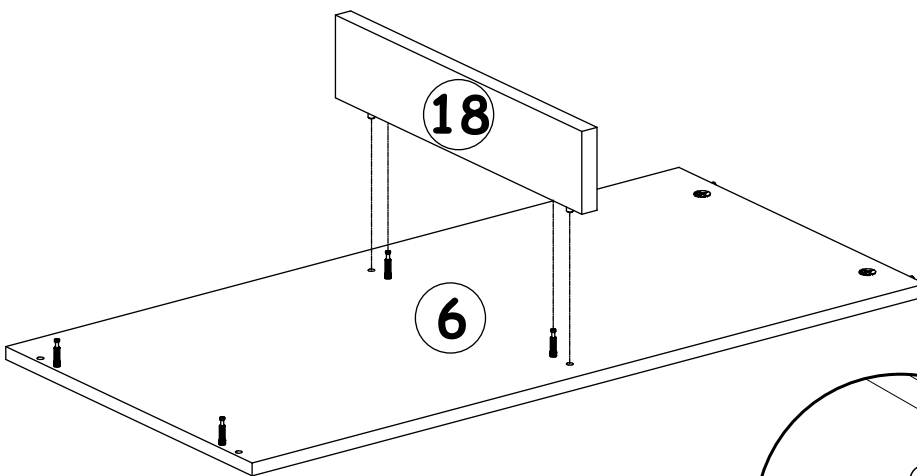
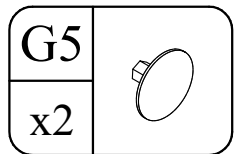
19




20

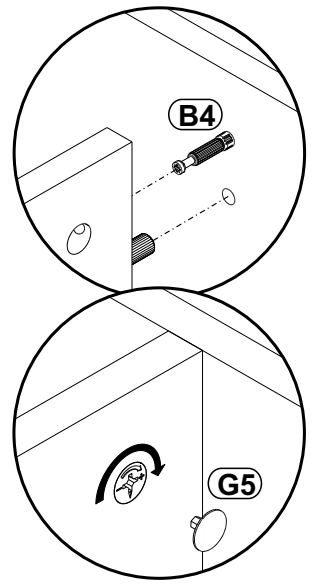
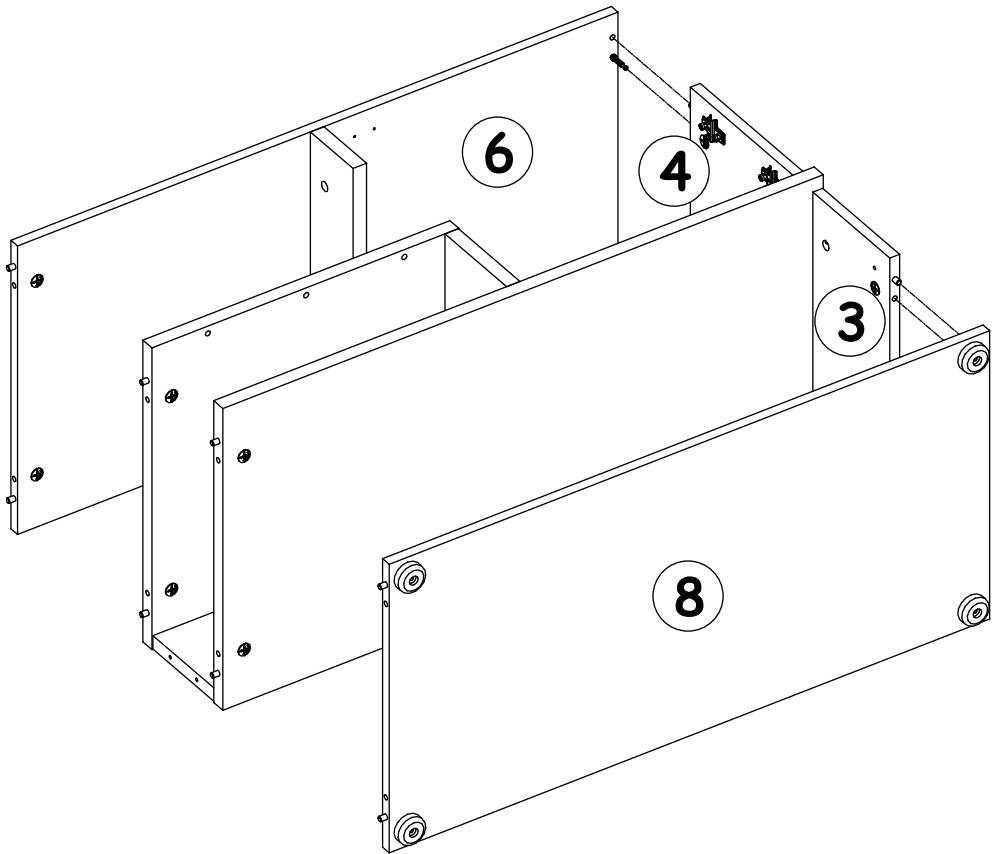


21

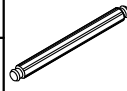



22

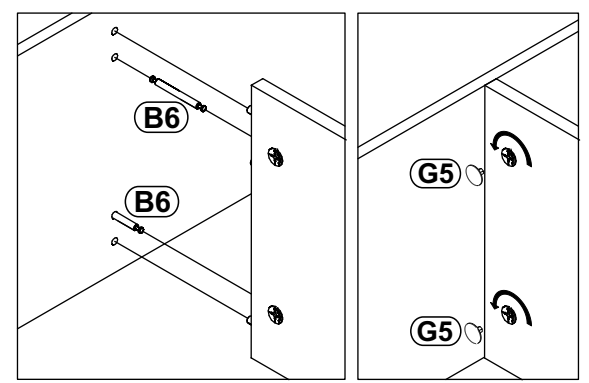
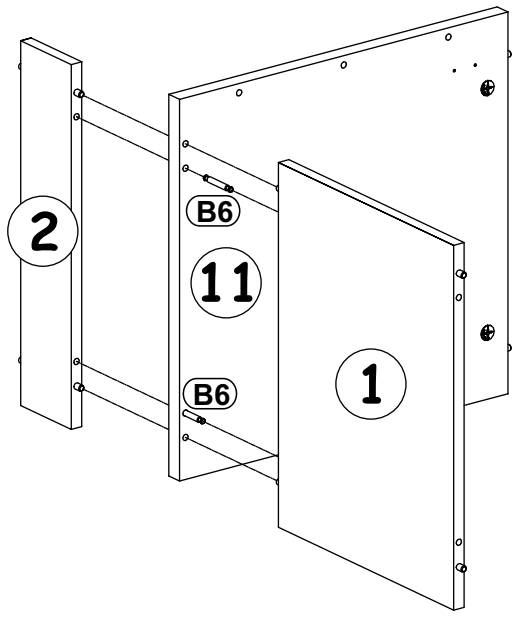
| | |
|----|---|
| G5 |  |
| x4 | |



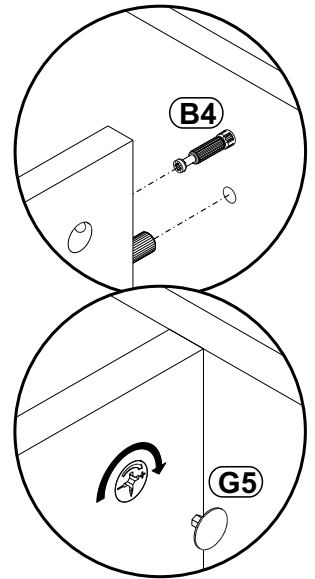
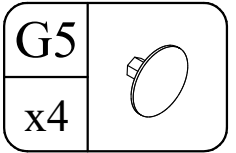
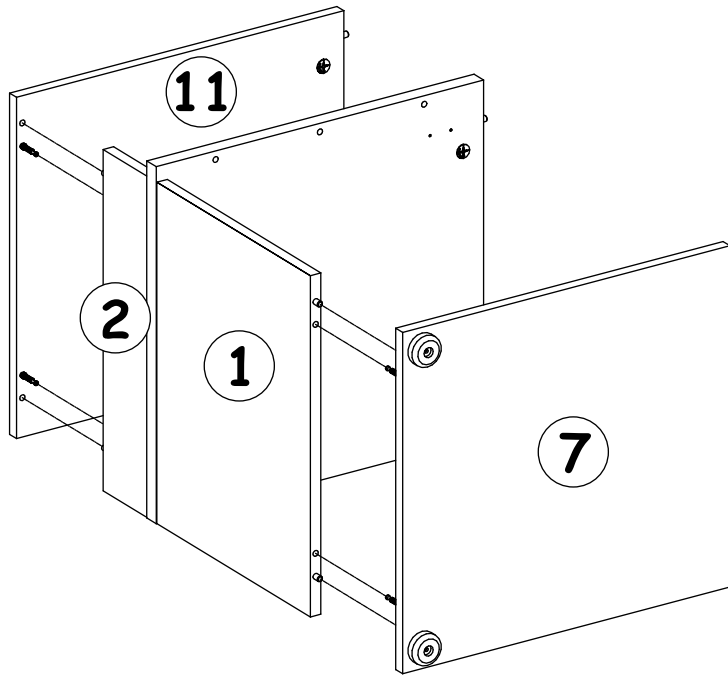
23

| | |
|----|---|
| B6 |  |
| x2 | Ø7x76 |

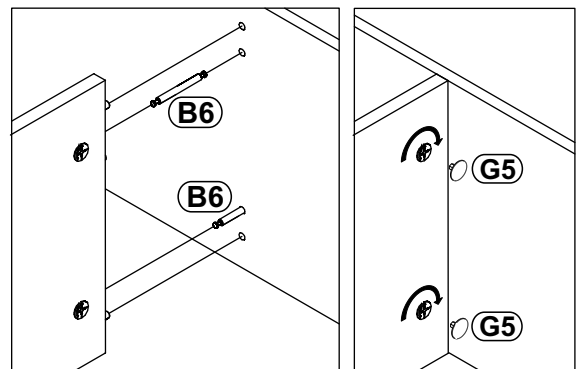
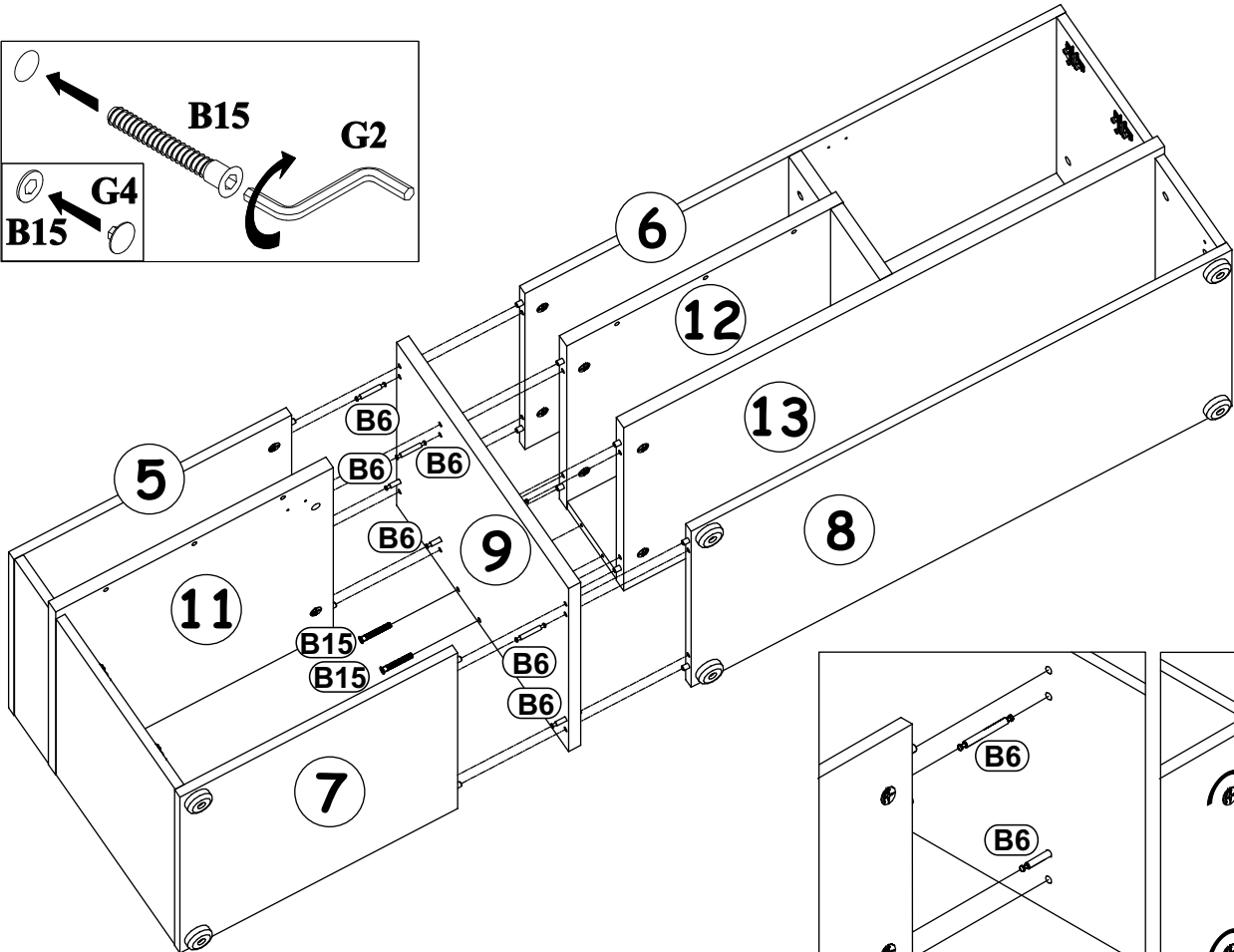
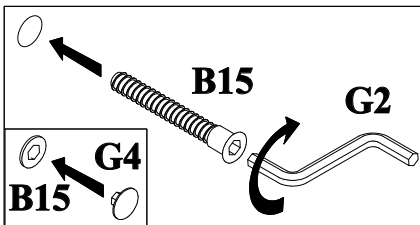
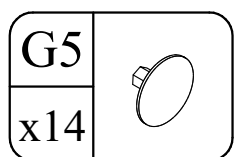
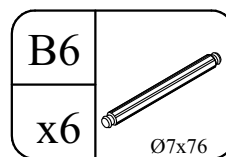
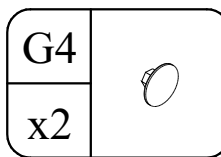
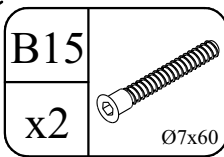
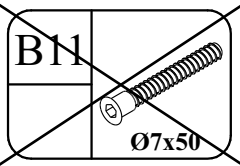
| | |
|----|---|
| G5 |  |
| x4 | |

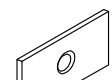
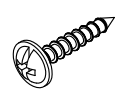


24

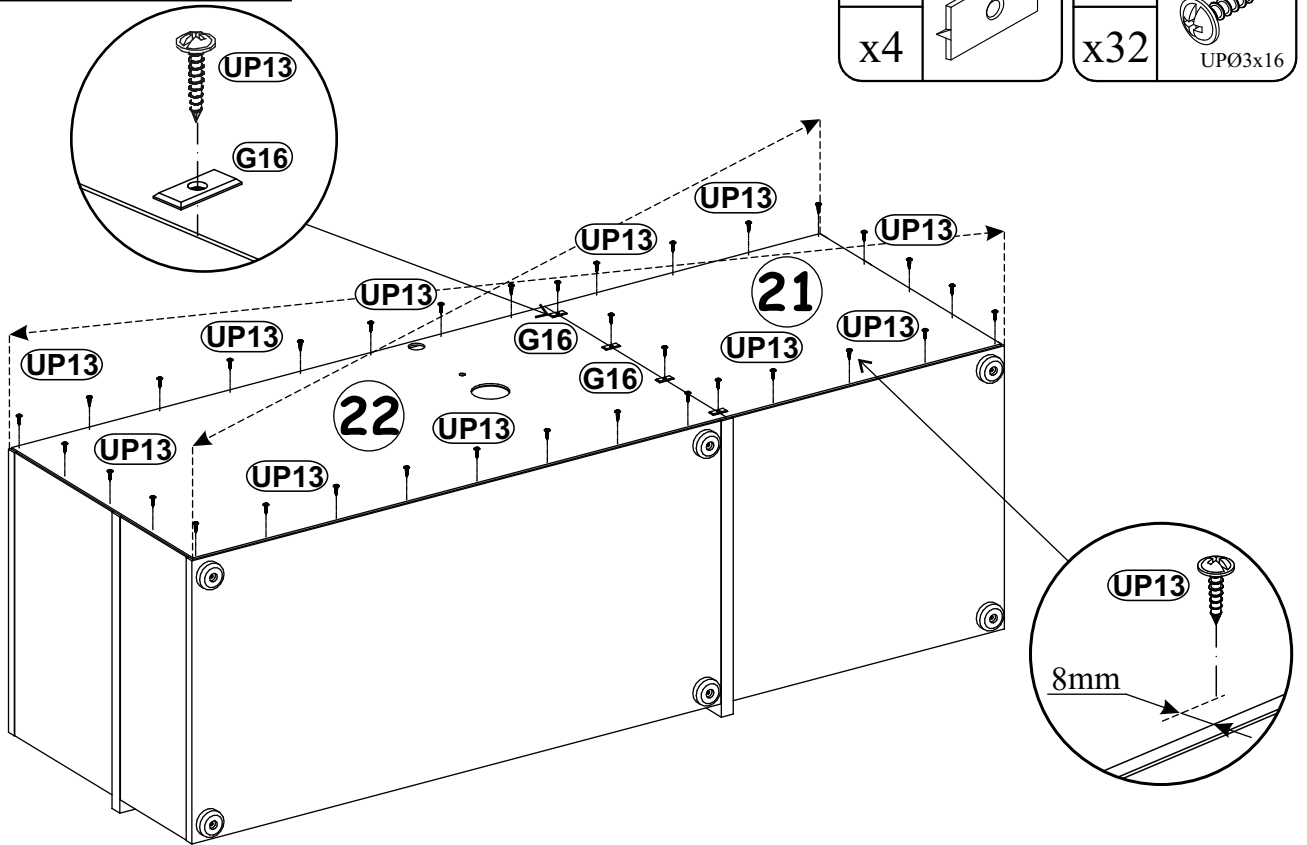


25

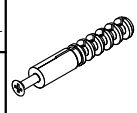
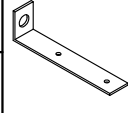



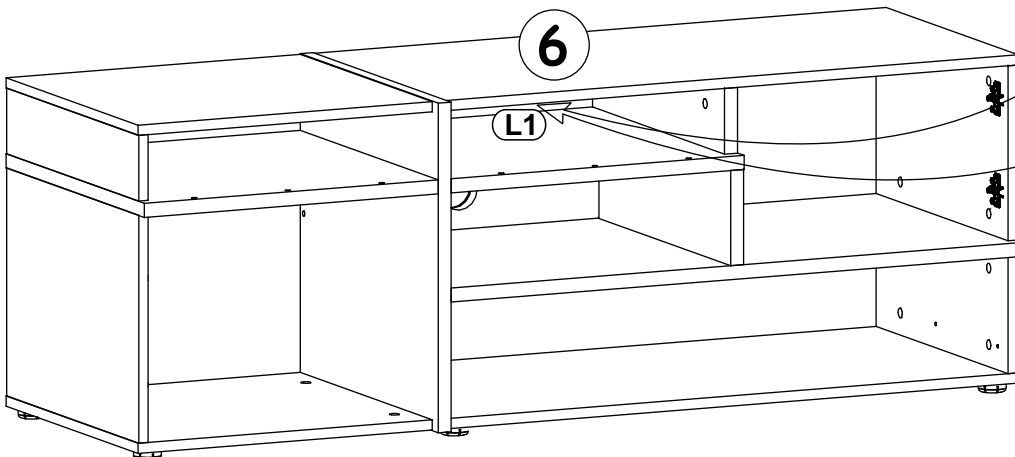
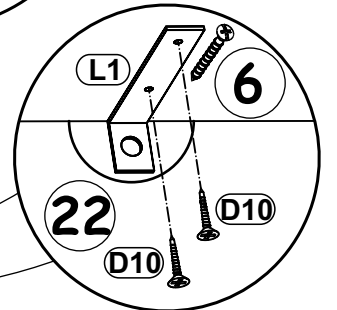
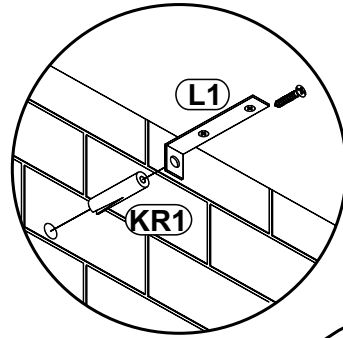
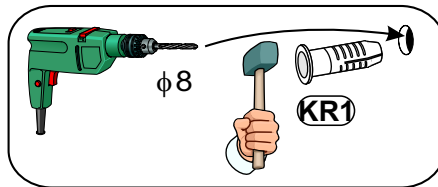
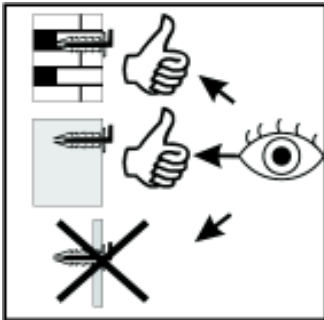
| | | | |
|-----|--|------|---|
| G16 |  | UP13 |  |
| x4 | | x32 | UP03x16 |

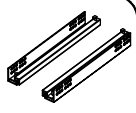
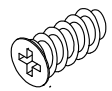
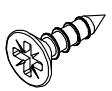



26

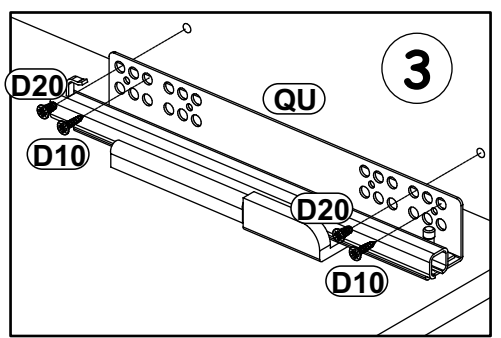
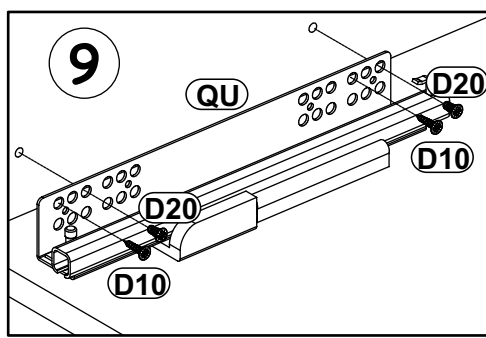
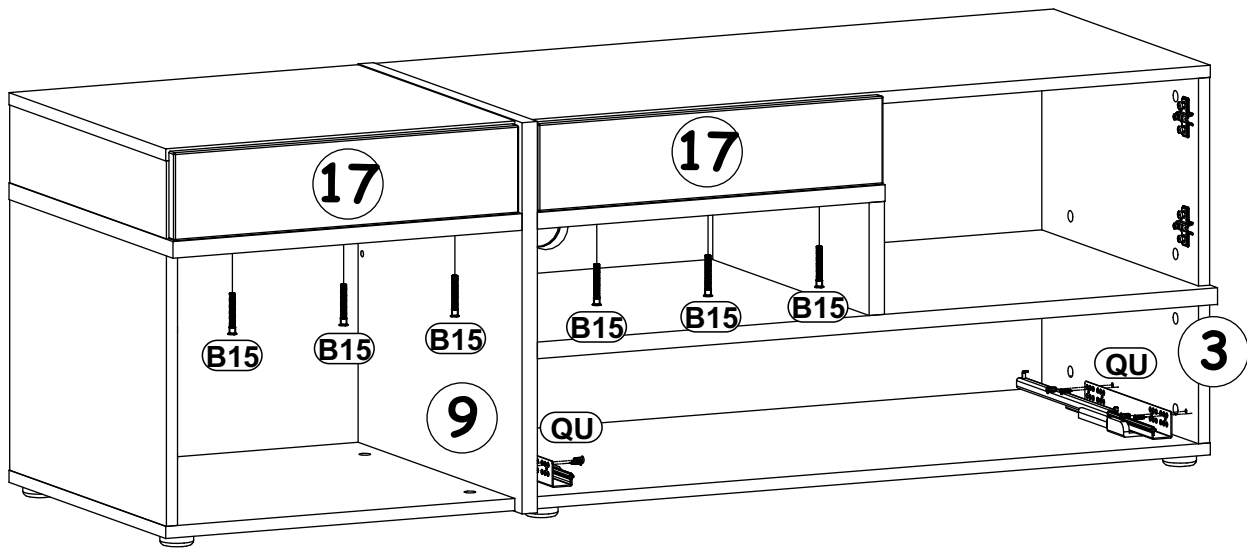
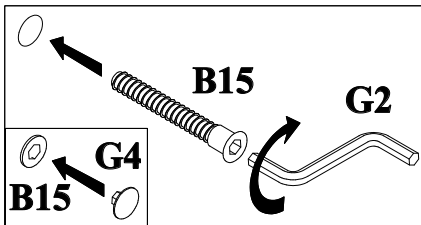


27

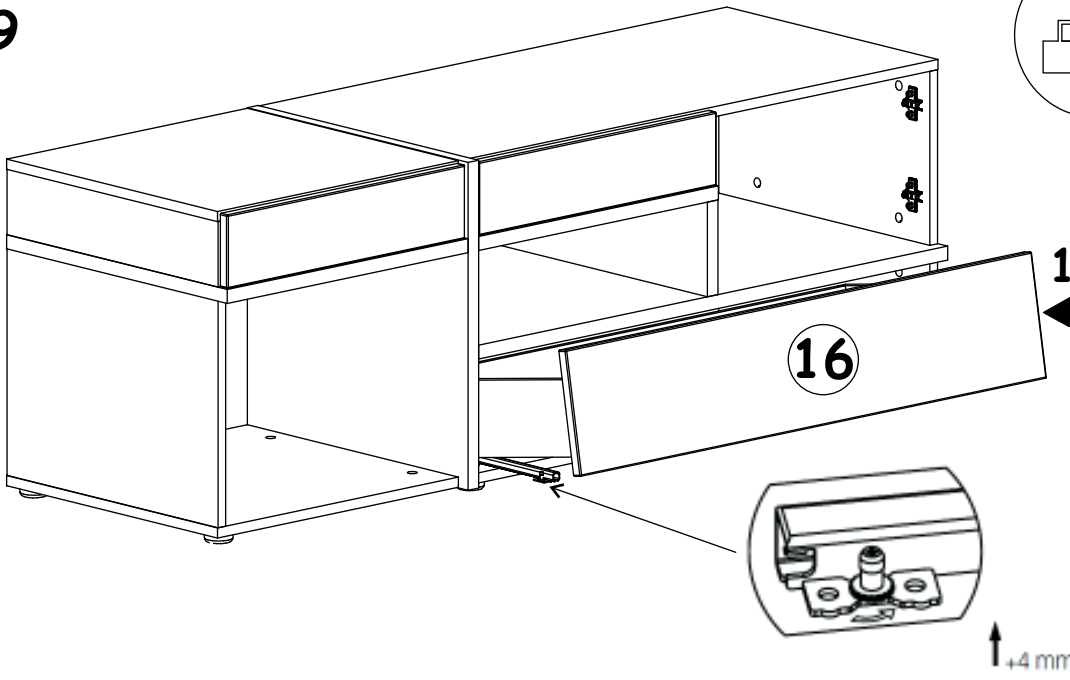
| | | | | | |
|-----|--|----|---|-----|---|
| KR1 |  | L1 |  | D10 |  |
| x1 | | x1 | | x2 | US03,5x13 |



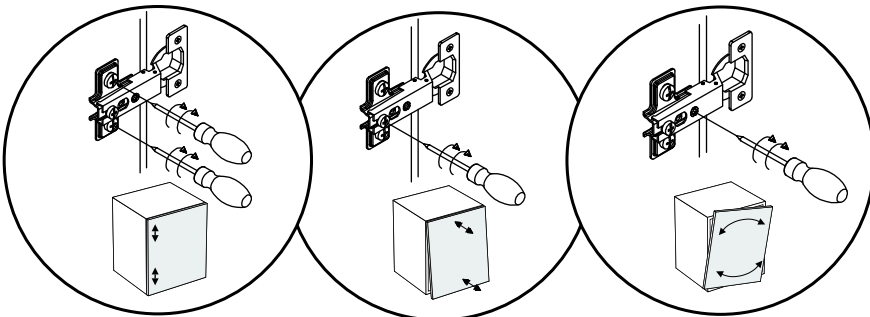
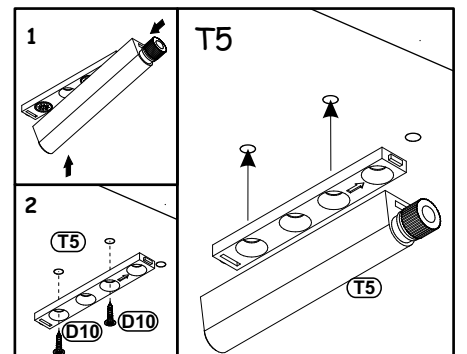
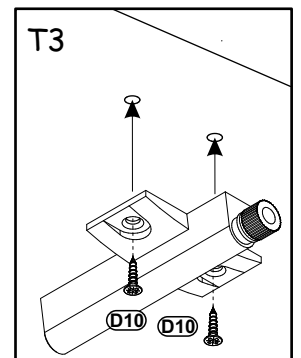
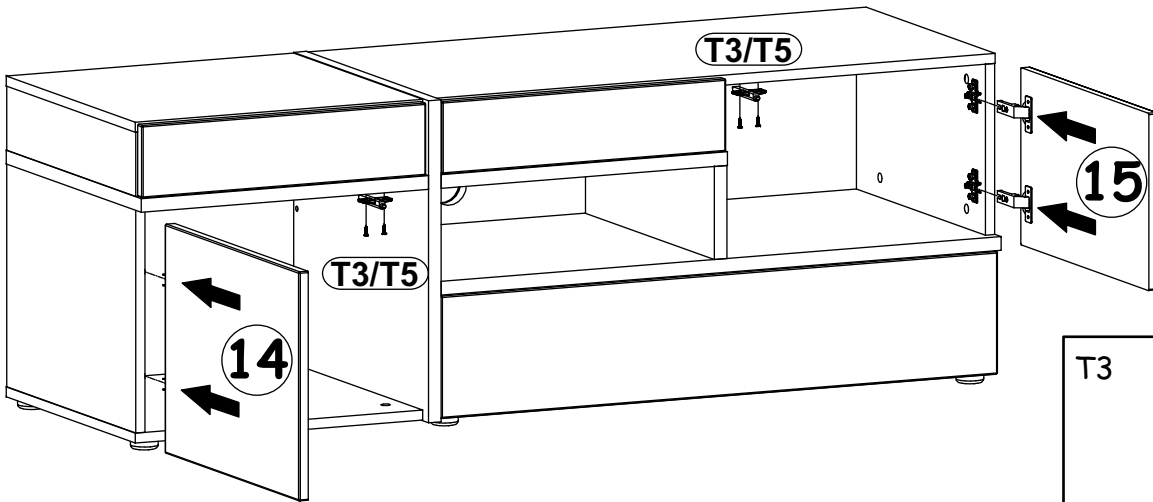
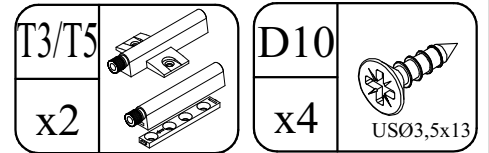
| | | | | | |
|----------------|---|-----------|--|-----------|--|
| QU x1 |  L-400mm | D20 x4 |  ESØ6,3x9,5 | D10 x4 |  USØ3,5x13 |
| B11 |  Ø7x50 | B15 x6 |  Ø7x60 | G4 x6 |  |



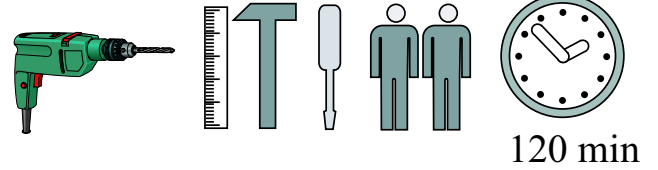
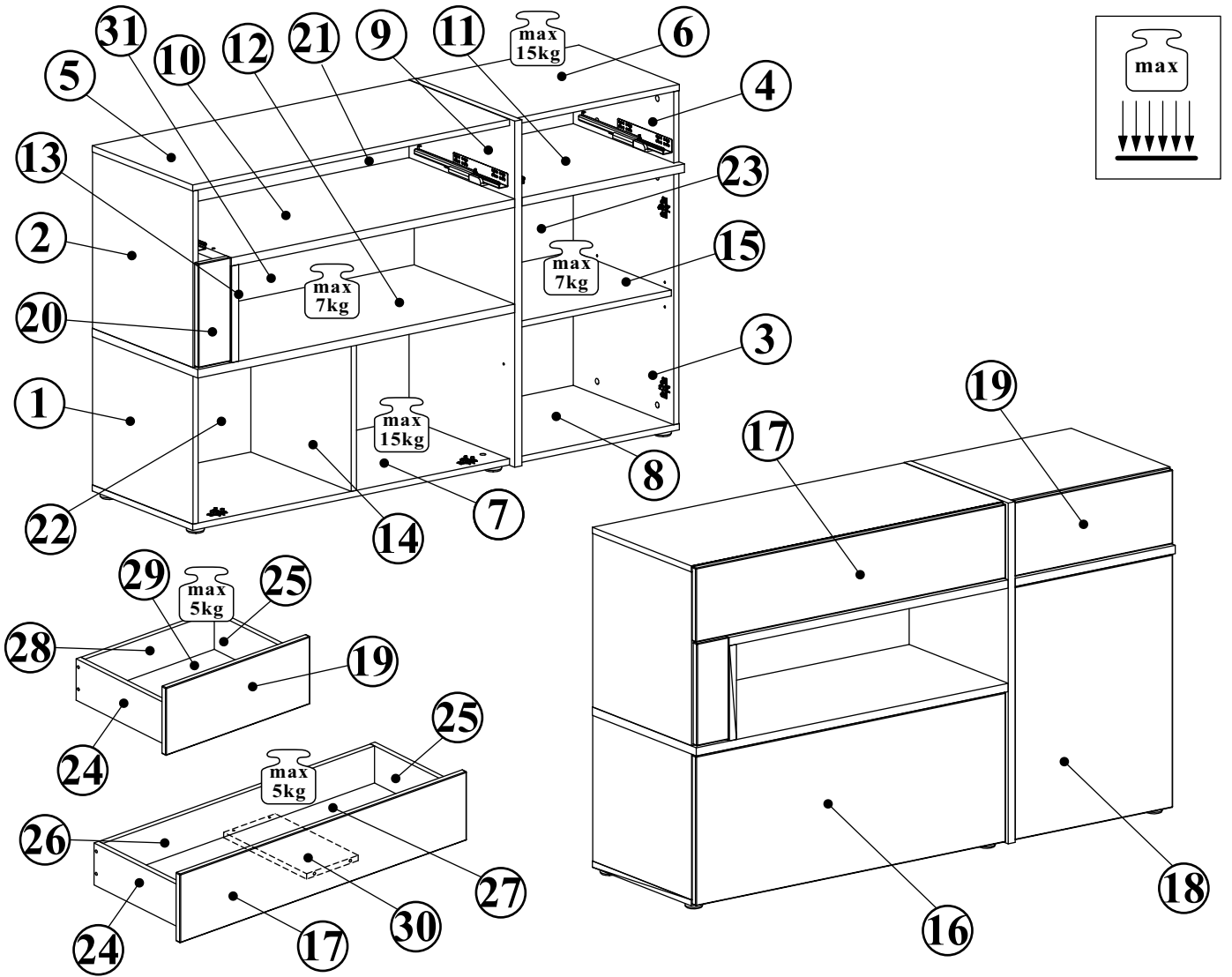
29



30



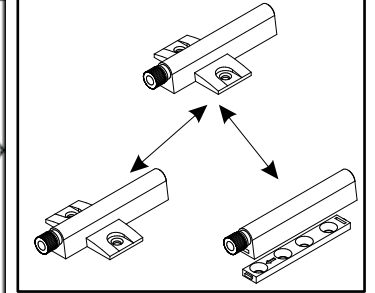
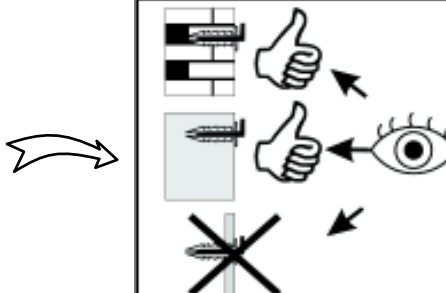
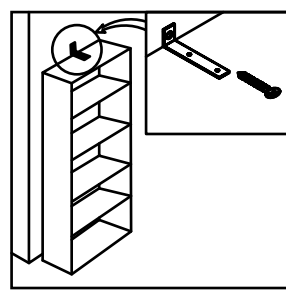
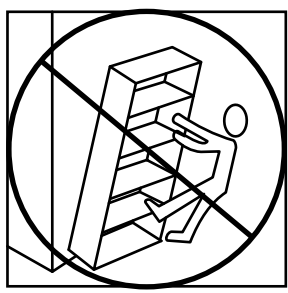
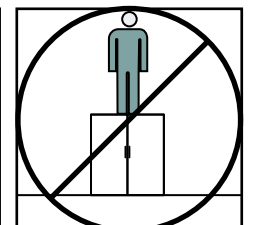
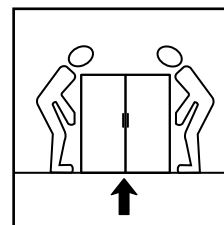
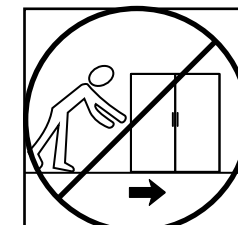
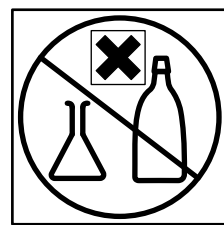
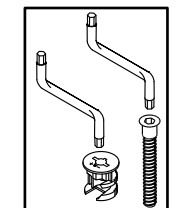
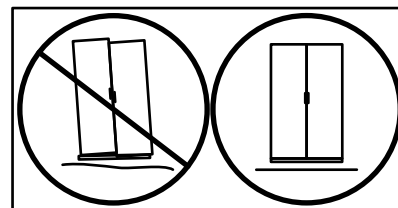
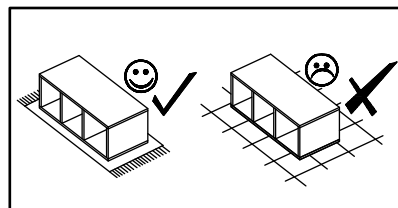
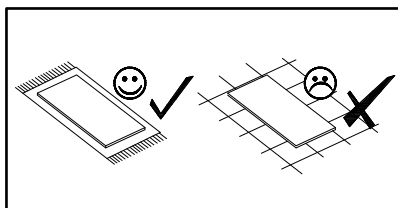
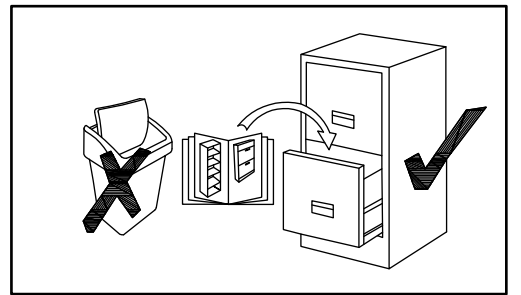
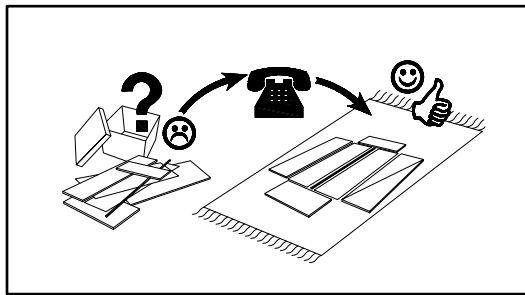
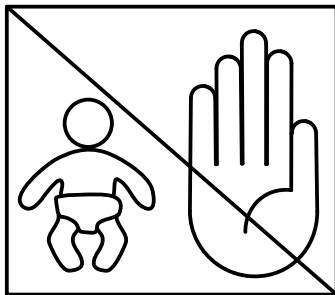
CROSS 28 ** CS SB



| NO | Dim. | | | Qty | Qty | NO | Dim. | | | Qty | Qty |
|----|------|-----|----|-----|-----|----|------|-----|----|-----|-----|
| 1 | 386 | 427 | 16 | 1 | 1 | 9 | 902 | 449 | 22 | 2 | 1 |
| 2 | 460 | 427 | 16 | 1 | 1 | 10 | 875 | 449 | 22 | 2 | 1 |
| 3 | 660 | 427 | 16 | 1 | 1 | 11 | 502 | 449 | 22 | 2 | 1 |
| 4 | 186 | 427 | 16 | 1 | 1 | 12 | 978 | 449 | 22 | 2 | 1 |
| 5 | 978 | 427 | 16 | 1 | 1 | 13 | 252 | 449 | 22 | 2 | 1 |
| 6 | 502 | 427 | 16 | 1 | 1 | 31 | 851 | 251 | 22 | 2 | 1 |
| 7 | 978 | 427 | 16 | 1 | 1 | 16 | 972 | 396 | 16 | 3 | 1 |
| 8 | 502 | 427 | 16 | 1 | 1 | 17 | 972 | 196 | 16 | 3 | 1 |
| 14 | 386 | 427 | 16 | 1 | 1 | 18 | 670 | 496 | 16 | 3 | 1 |
| 15 | 485 | 417 | 16 | 1 | 1 | 19 | 496 | 196 | 16 | 3 | 1 |
| 24 | 350 | 120 | 16 | 3 | 2 | 20 | 271 | 100 | 16 | 3 | 1 |
| 25 | 350 | 120 | 16 | 3 | 2 | 21 | 484 | 985 | 3 | 3 | 1 |
| 26 | 921 | 106 | 16 | 3 | 1 | 22 | 985 | 410 | 3 | 3 | 1 |
| 28 | 445 | 106 | 16 | 3 | 1 | 23 | 894 | 510 | 3 | 3 | 1 |
| 30 | 349 | 184 | 16 | 3 | 1 | 27 | 354 | 933 | 3 | 3 | 1 |
| | | | | | | 29 | 354 | 457 | 3 | 3 | 1 |

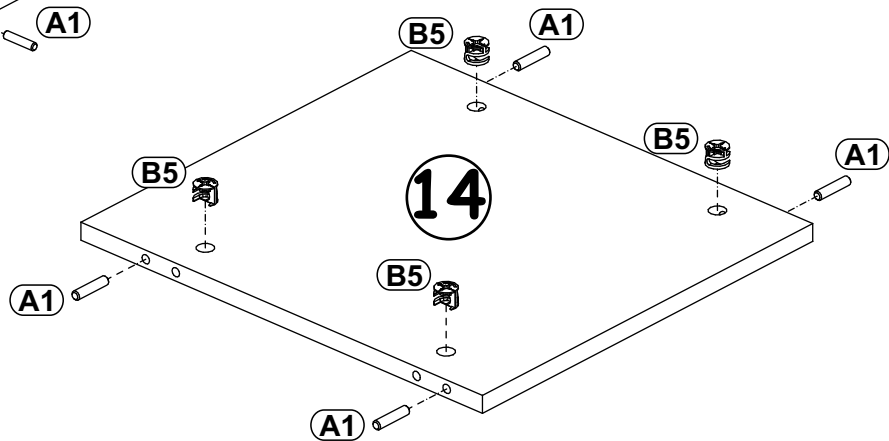
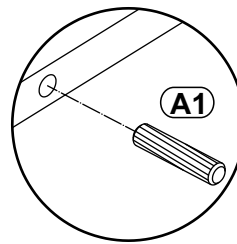
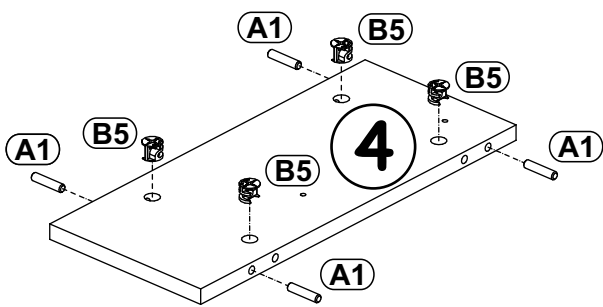
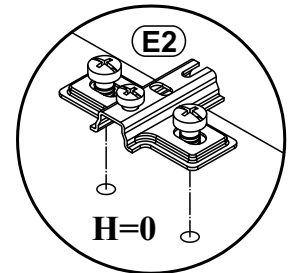
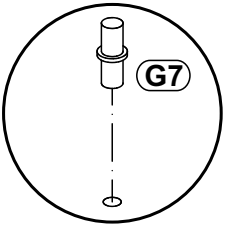
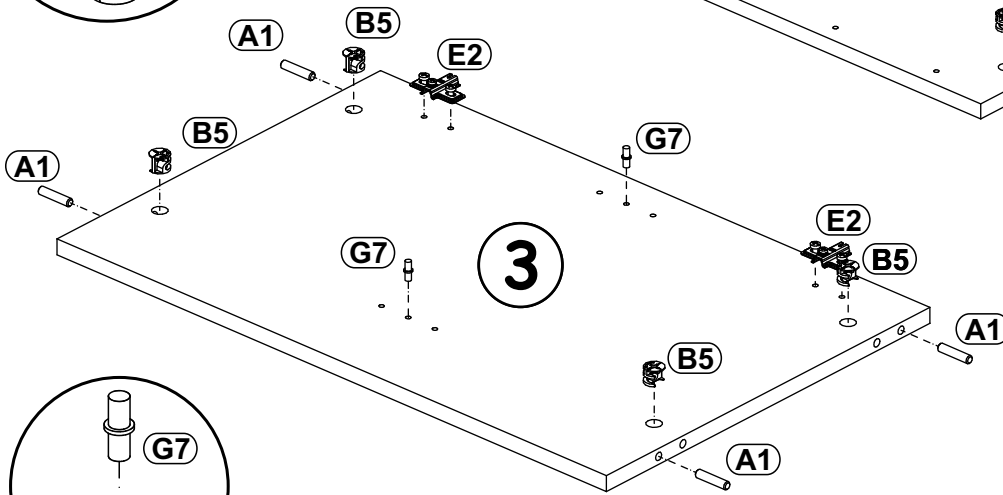
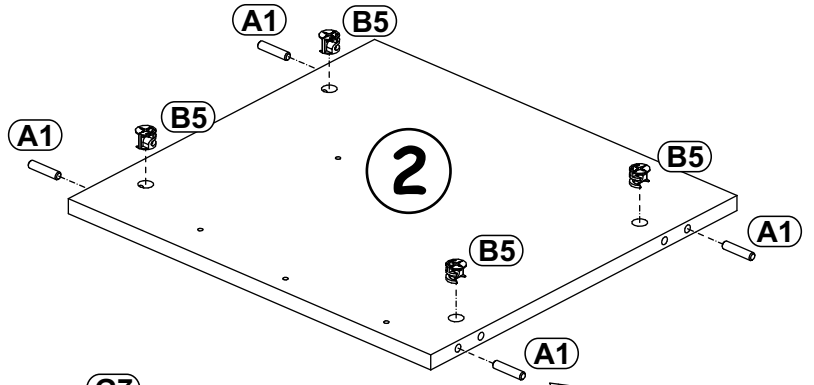
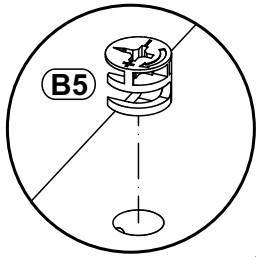
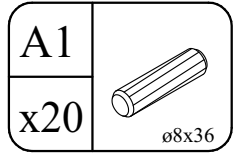
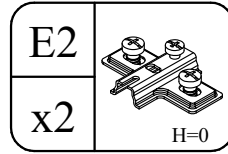
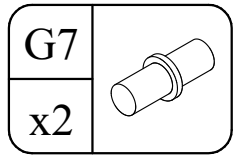
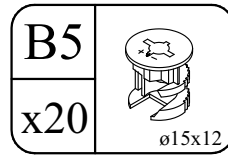
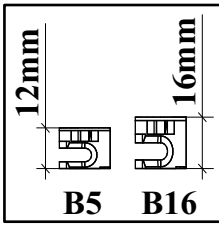
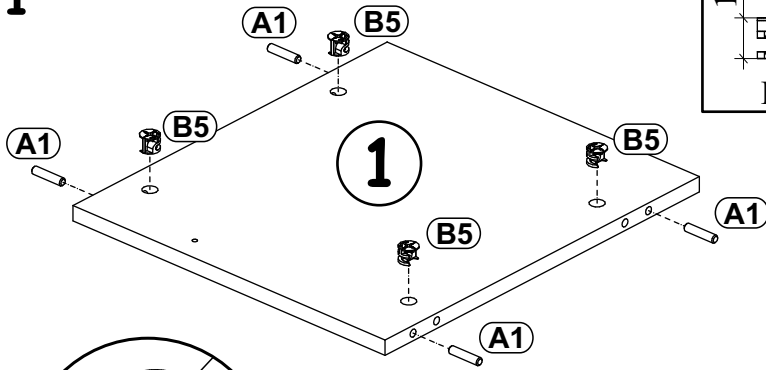
CROSS 28 ** CS SB

| | | | | | |
|-------------------------|-------------------------|------------------------|-------------------------|------------------------|------------------------|
| A1 x48 ø8x36 | B4 x18 | B5 x32 ø15x12 | G5 x38 | B15 x8 ø7x60 | G4 x16 |
| B16 x6 ø15x16 | B6 x10 ø7x76 | G7 x6 | E21 x4 ø35 H=0 | E2 x4 H=0 | G16 x13 |
| L1 x2 | KR1 x2 | T3/T5 x2 | L6 x2 | D31 x4 EKø6,3x13 | UP13 x60 UPø3x16 |
| D10 x24 USø3,5x13 | UP15 x6 UPø4x25 | I11 x6 ø45, h=15 | G2 x1 | B11 x8 ø7x50 | S1 x3 |
| QU x2 L-350 | D20 x8 ESø6,3x9,5 | UP6 x2 UPø4x30 | BP1 x2 | 0 mm 10 20 30 40 50 60 | |

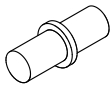


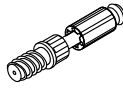
CROSS 28 ** CS SB

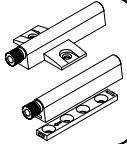
1




CROSS 28 ** CS SB

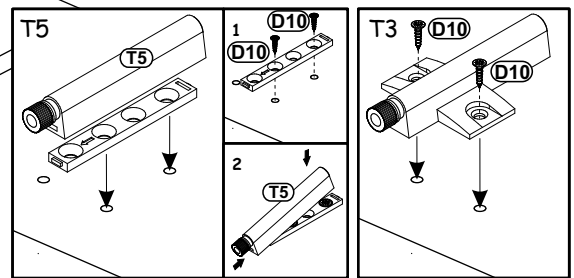
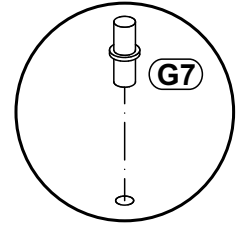
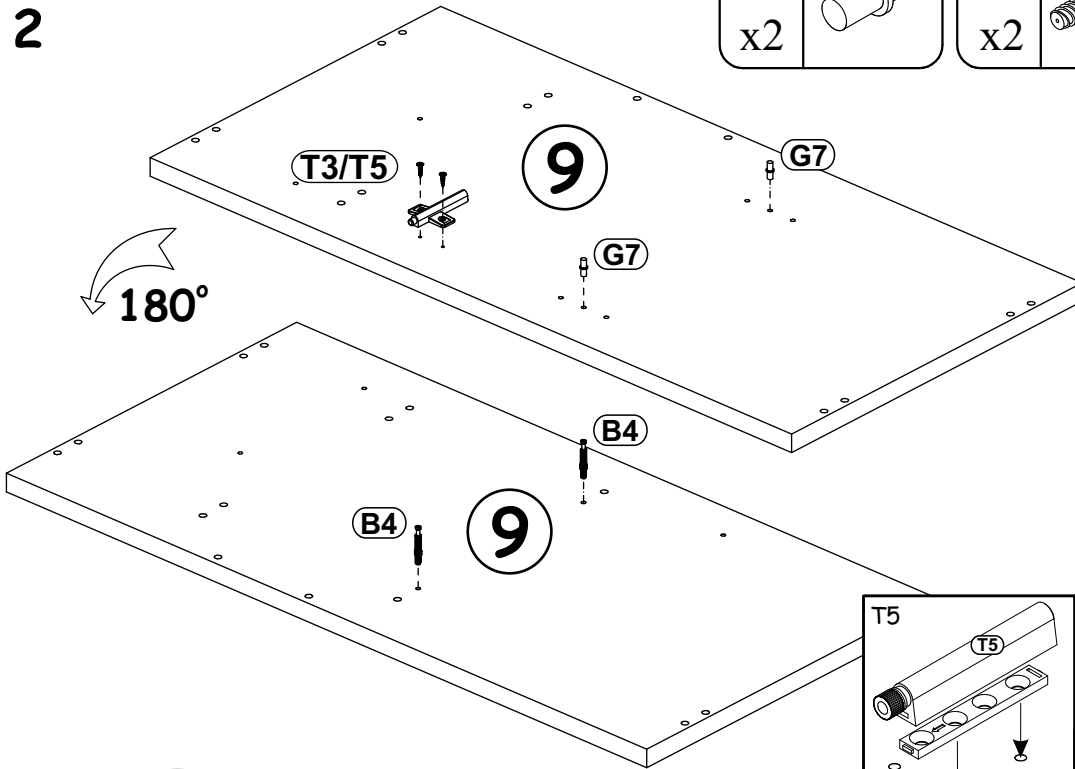
| | |
|----|--|
| G7 |  |
| x2 | |

| | |
|----|---|
| B4 |  |
| x2 | |

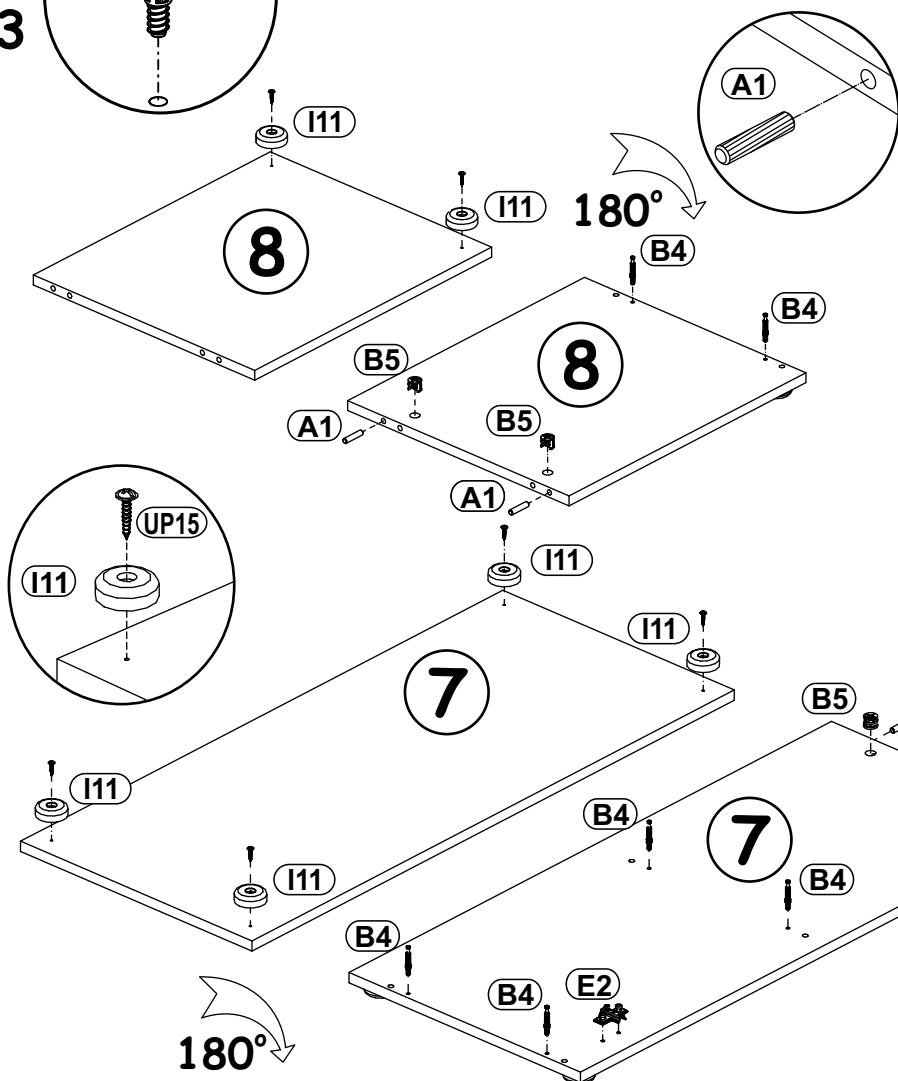
| | |
|-------|--|
| T3/T5 |  |
| x1 | |

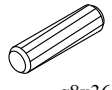
| | |
|-----|---|
| D10 |  |
| x2 | USØ3,5x13 |


2

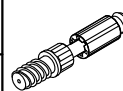


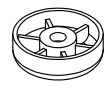
3

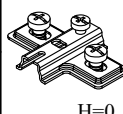



| | |
|----|---|
| A1 |  |
| x4 | ø8x36 |

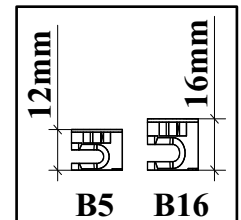
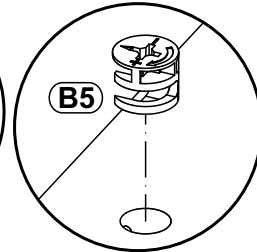
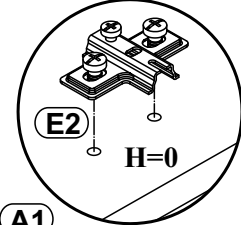
| | |
|------|---|
| UP15 |  |
| x6 | UPØ4x25 |

| | |
|----|---|
| B4 |  |
| x6 | |

| | |
|-----|---|
| I11 |  |
| x6 | Ø45, h=15 |

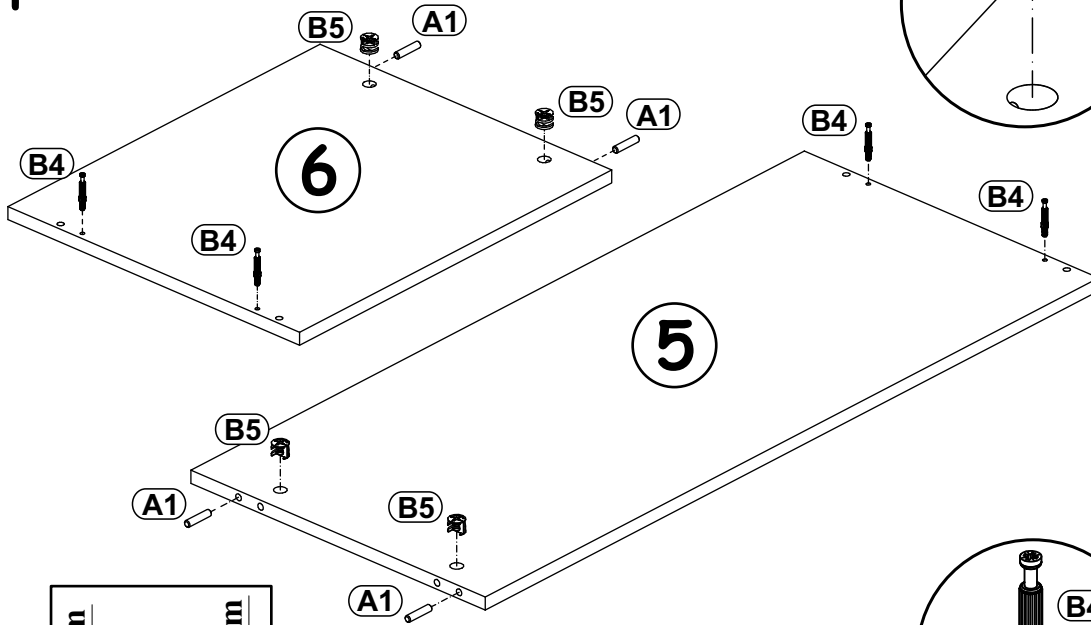
| | |
|----|---|
| E2 |  |
| x2 | H=0 |

| | |
|----|---|
| B5 |  |
| x4 | ø15x12 |



CROSS 28 ** CS SB

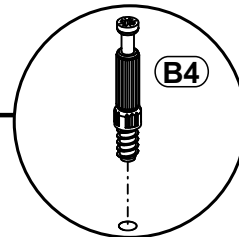
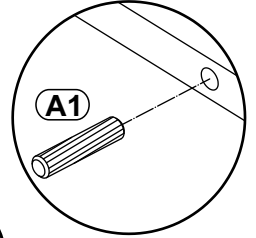
4



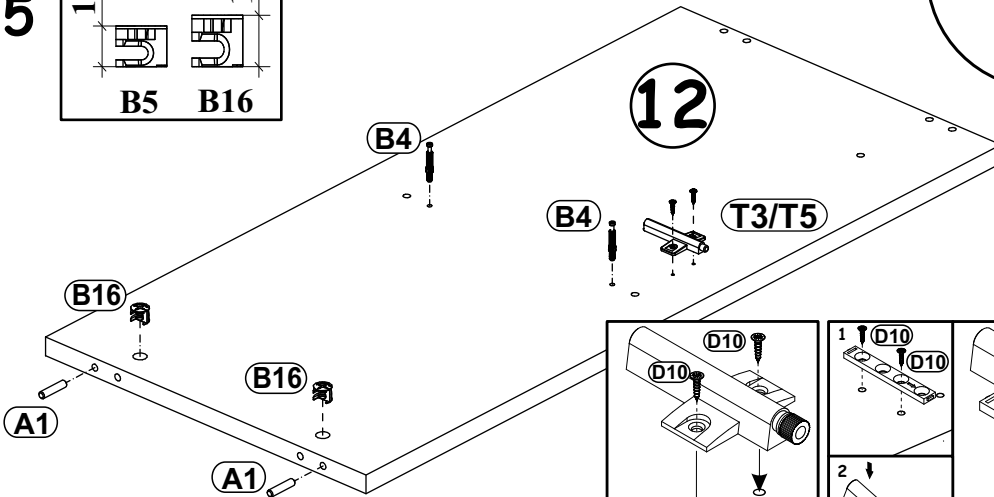
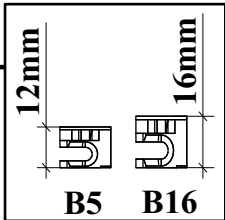
| | |
|----|--------|
| B5 | |
| x4 | ø15x12 |

| | |
|----|-------|
| A1 | |
| x4 | ø8x36 |

| | |
|----|--|
| B4 | |
| x4 | |



5

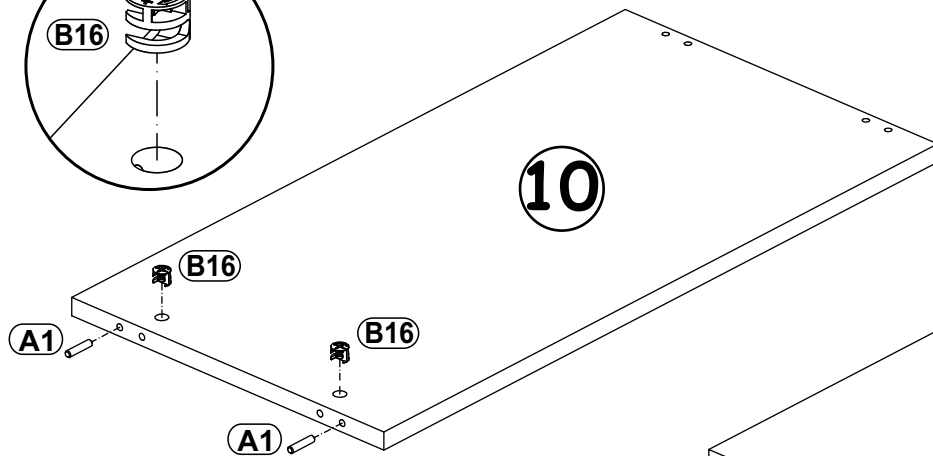
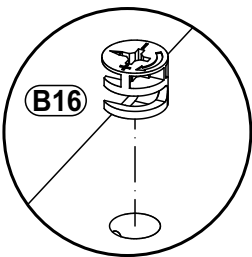
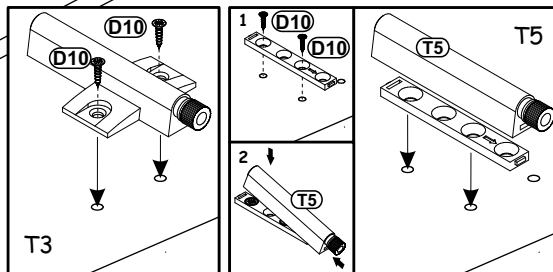


| | |
|-------|--|
| T3/T5 | |
| x1 | |

| | |
|-----|-----------|
| D10 | |
| x2 | USØ3,5x13 |

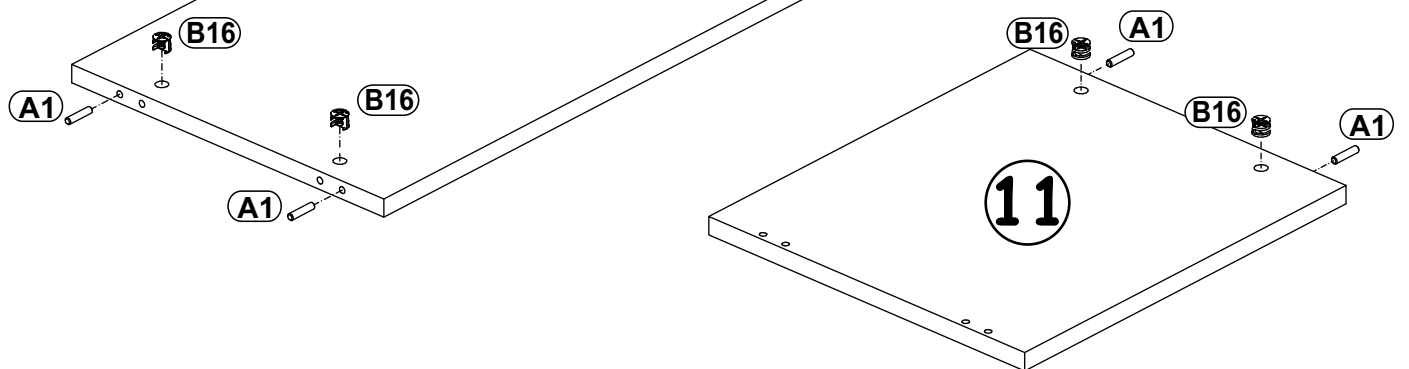
| | |
|----|-------|
| A1 | |
| x6 | ø8x36 |

| | |
|----|--|
| B4 | |
| x2 | |



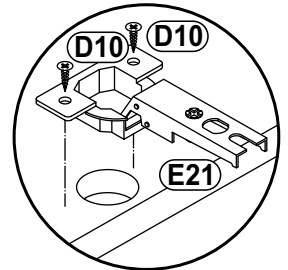
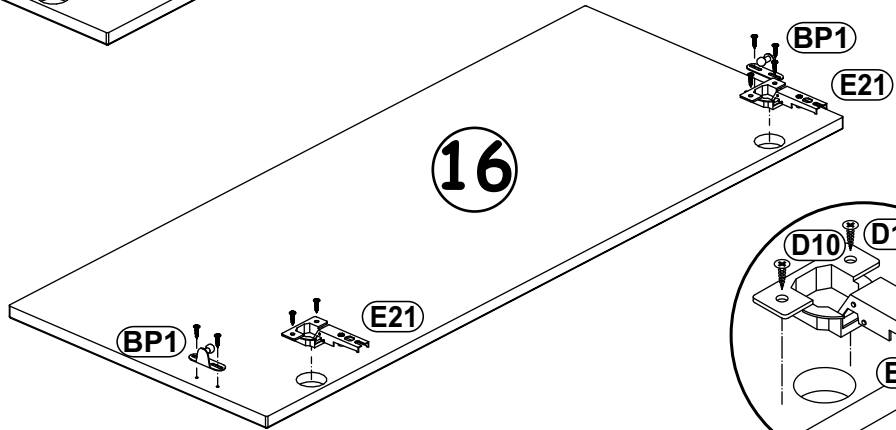
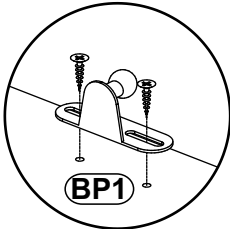
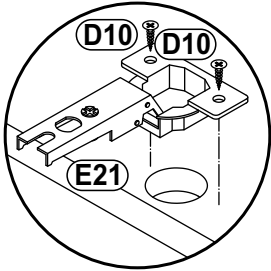
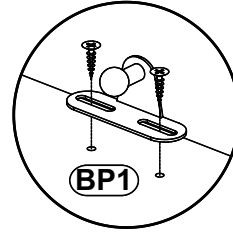
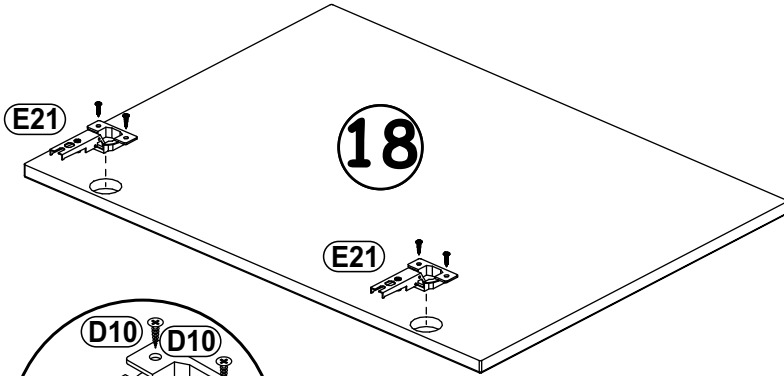
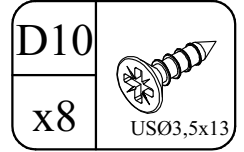
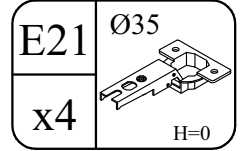
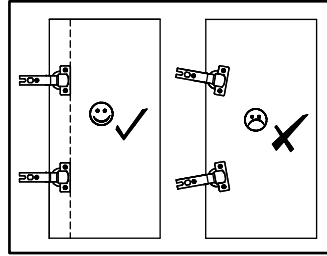
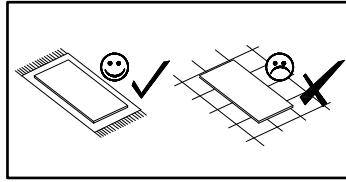
| | |
|-----|--------|
| B16 | |
| x6 | Ø15x16 |

11

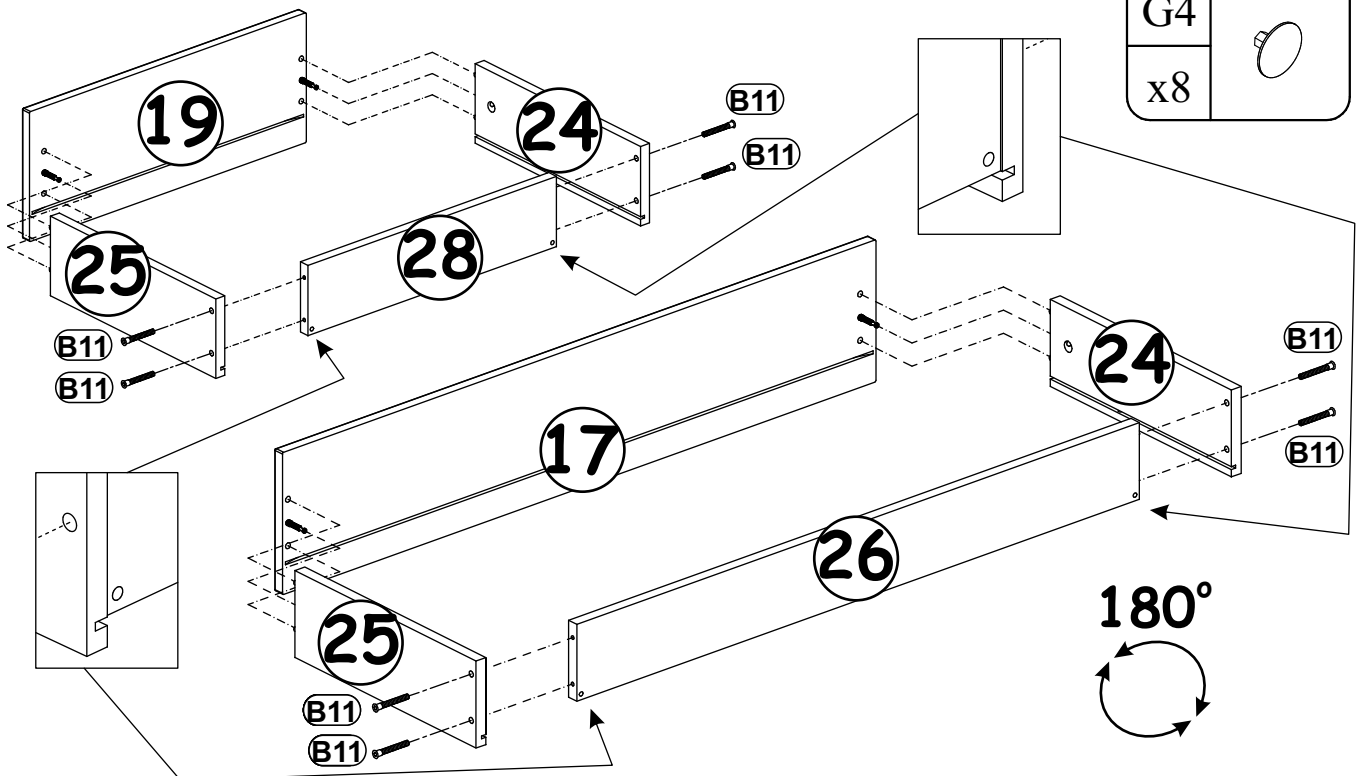
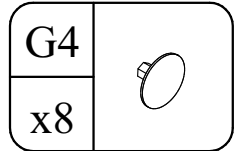
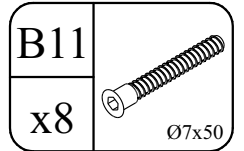
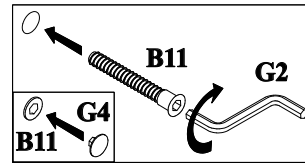
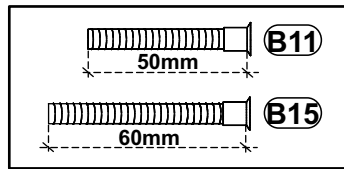


CROSS 28 ** CS SB

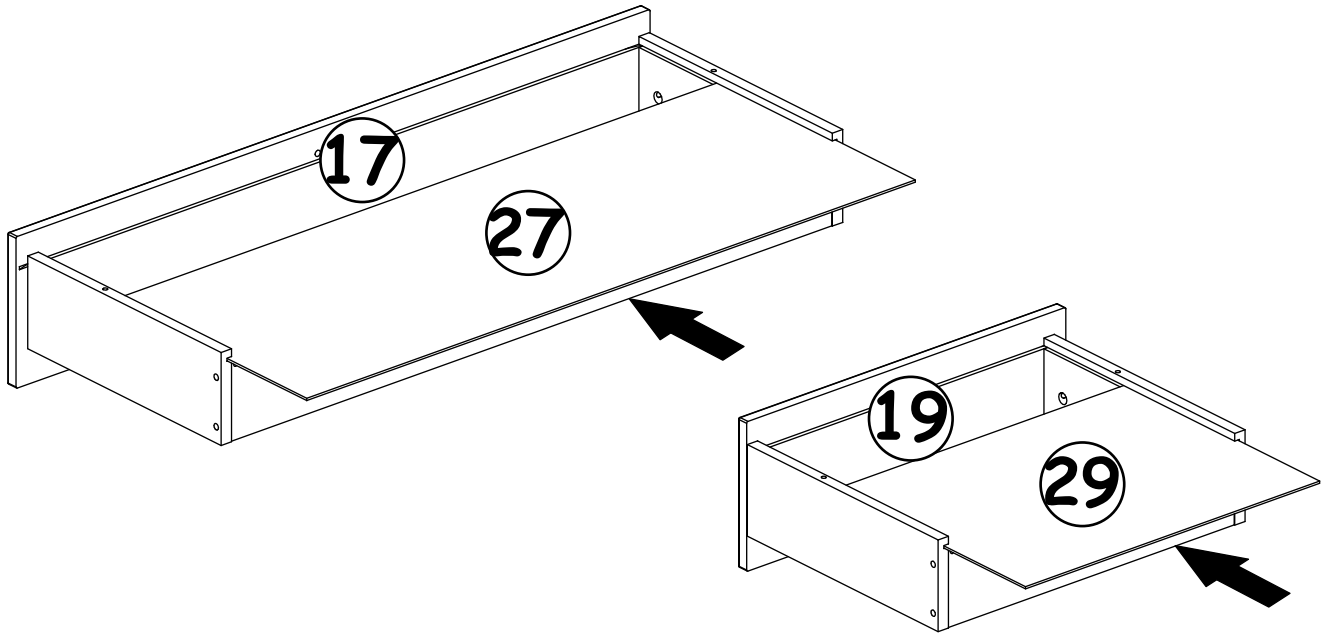
7



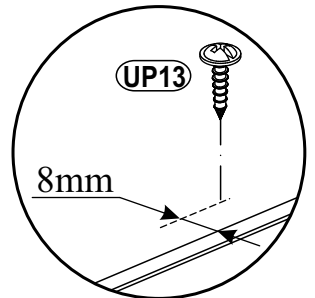
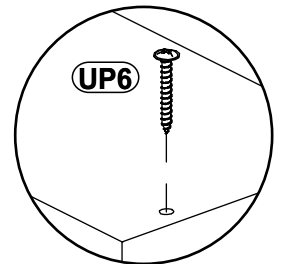
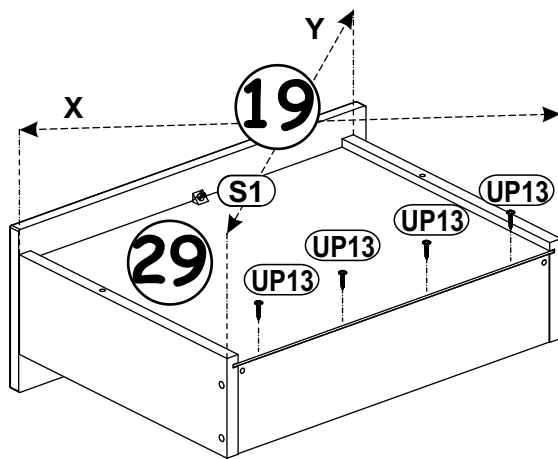
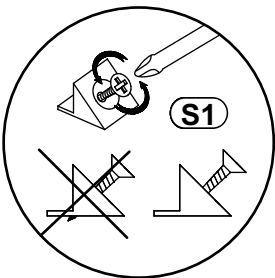
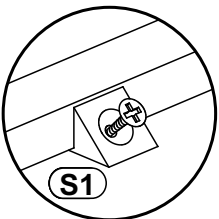
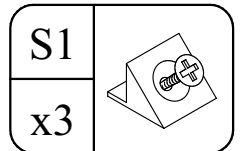
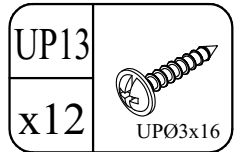
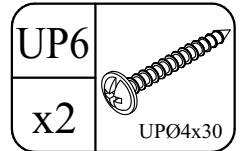
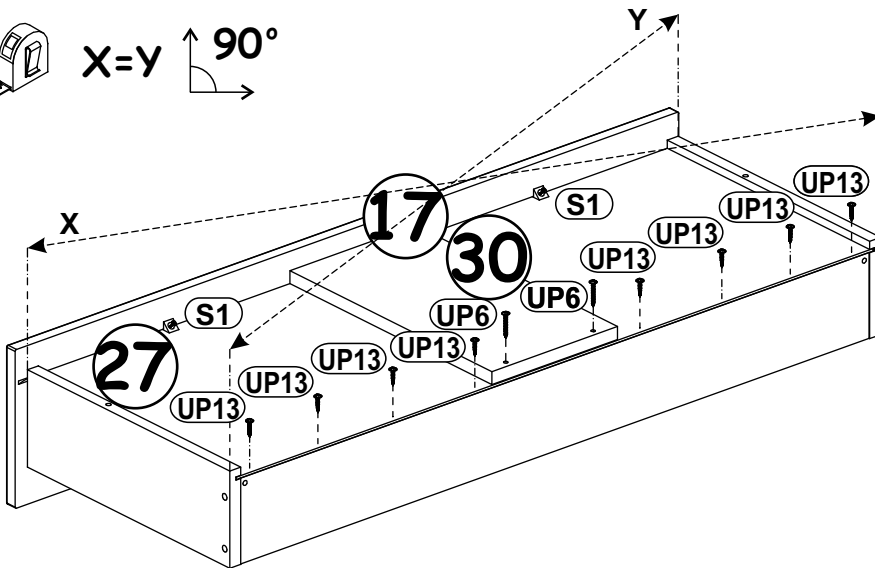
8



9

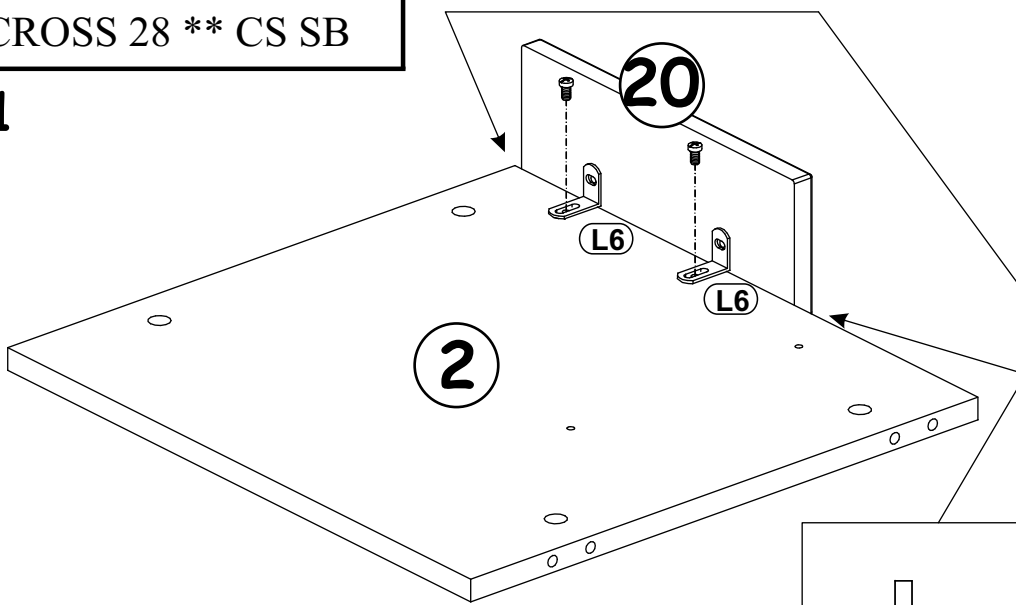


10

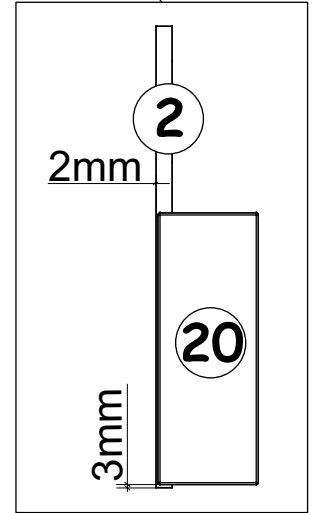
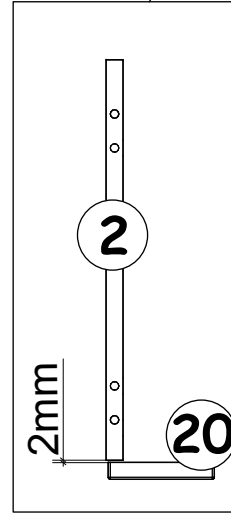
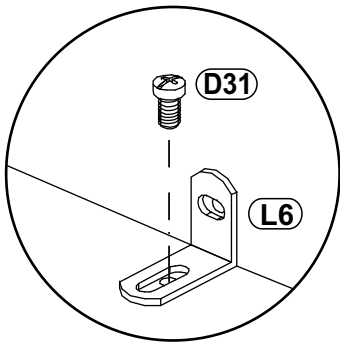


CROSS 28 ** CS SB

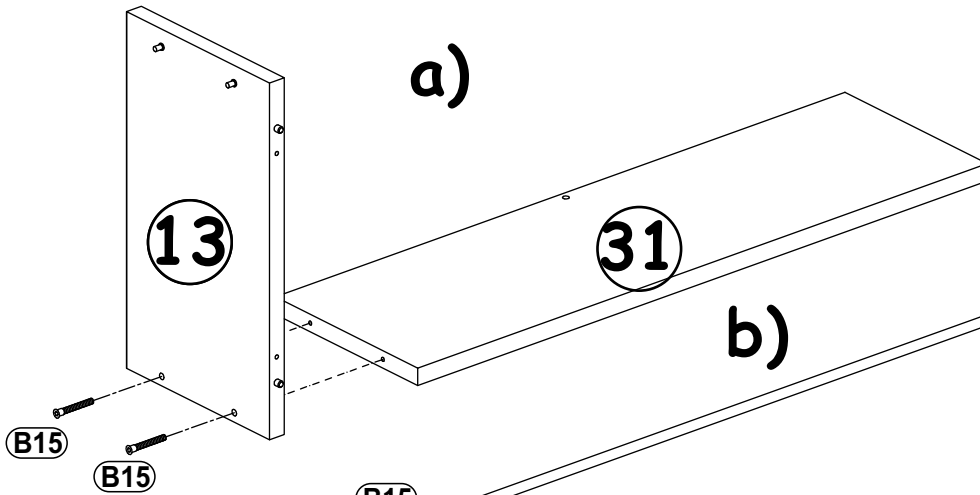
11



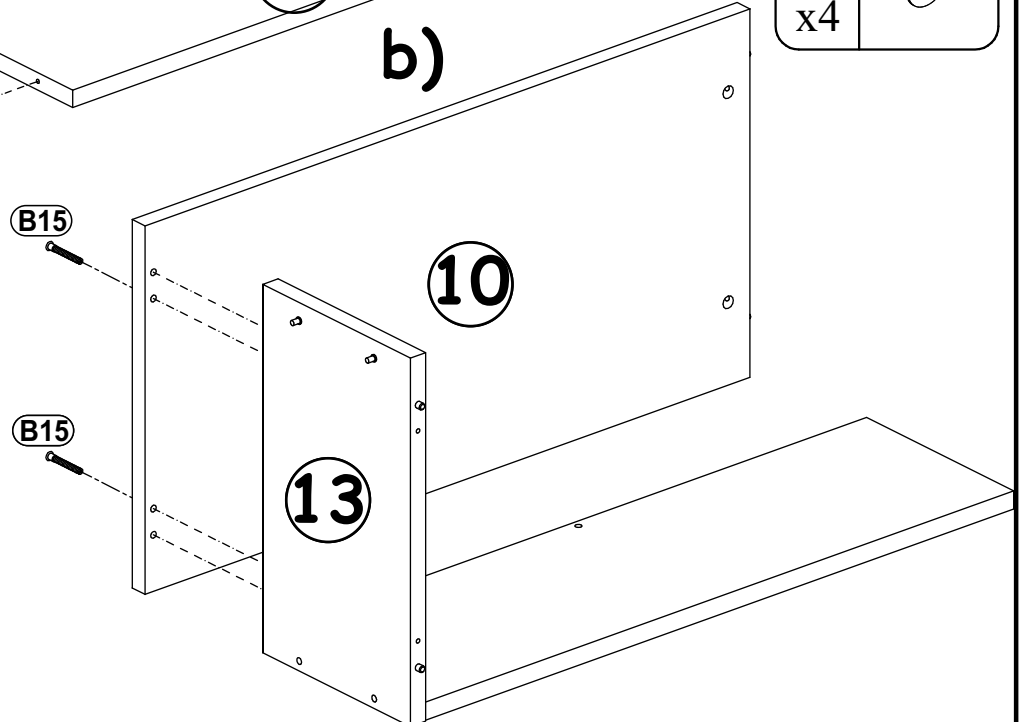
| | |
|-----|-----------|
| D31 | |
| x2 | EKØ6,3x13 |



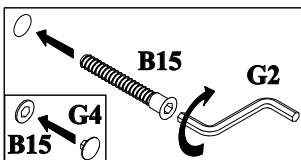
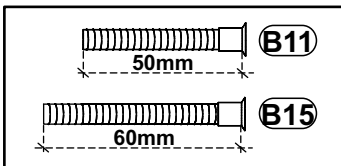
12



| | |
|-----|-------|
| B15 | |
| x4 | Ø7x60 |

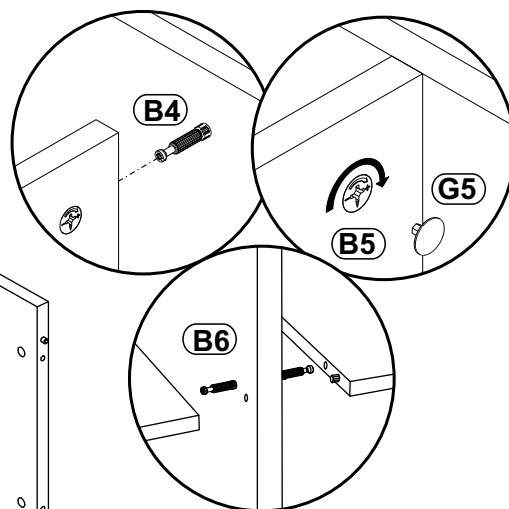
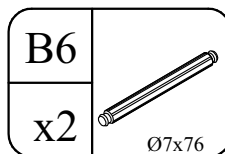
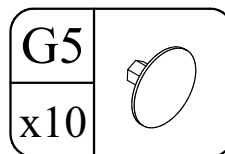
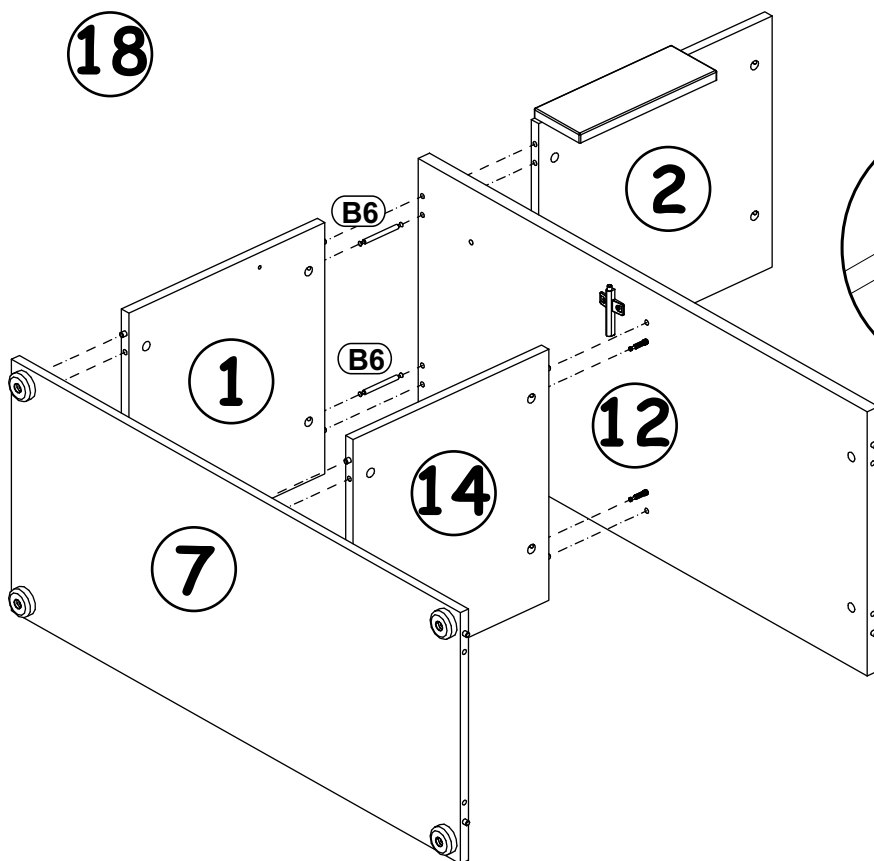


| | |
|----|--|
| G4 | |
| x4 | |

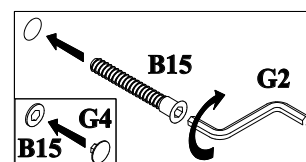
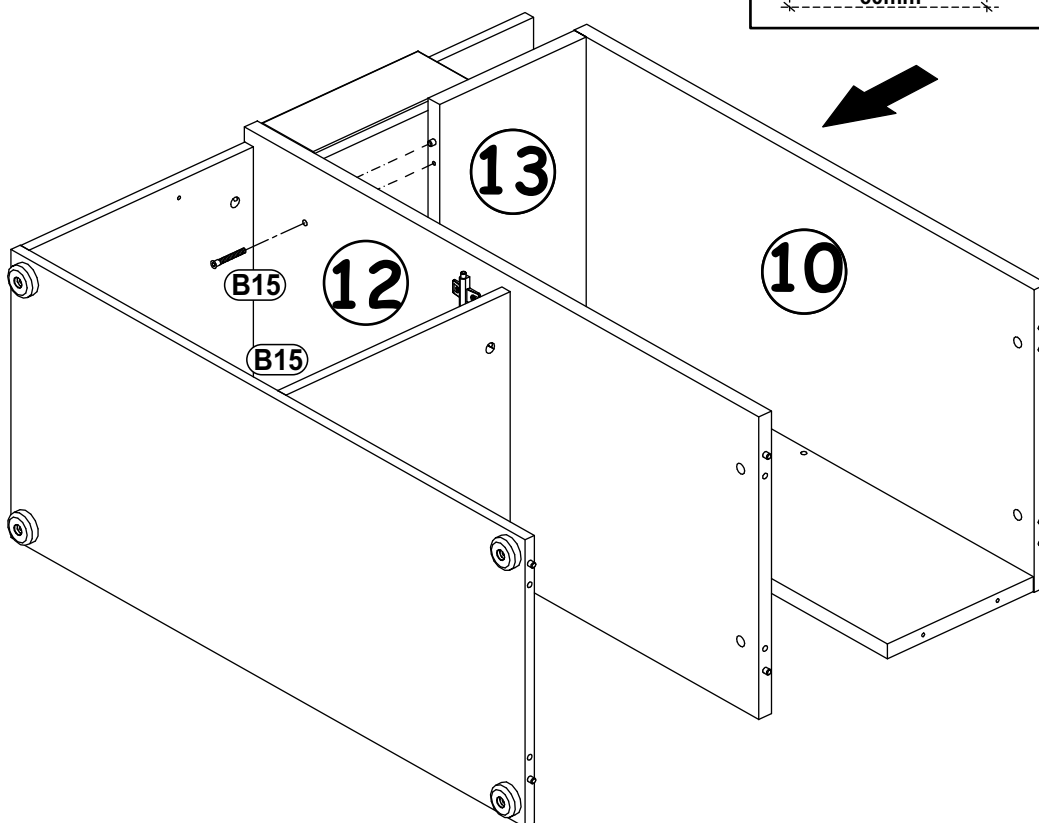
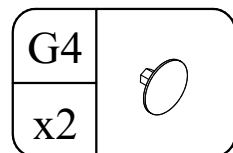
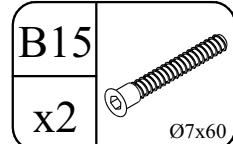
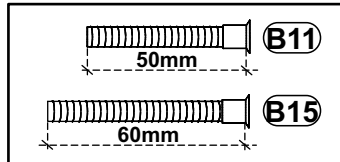


13

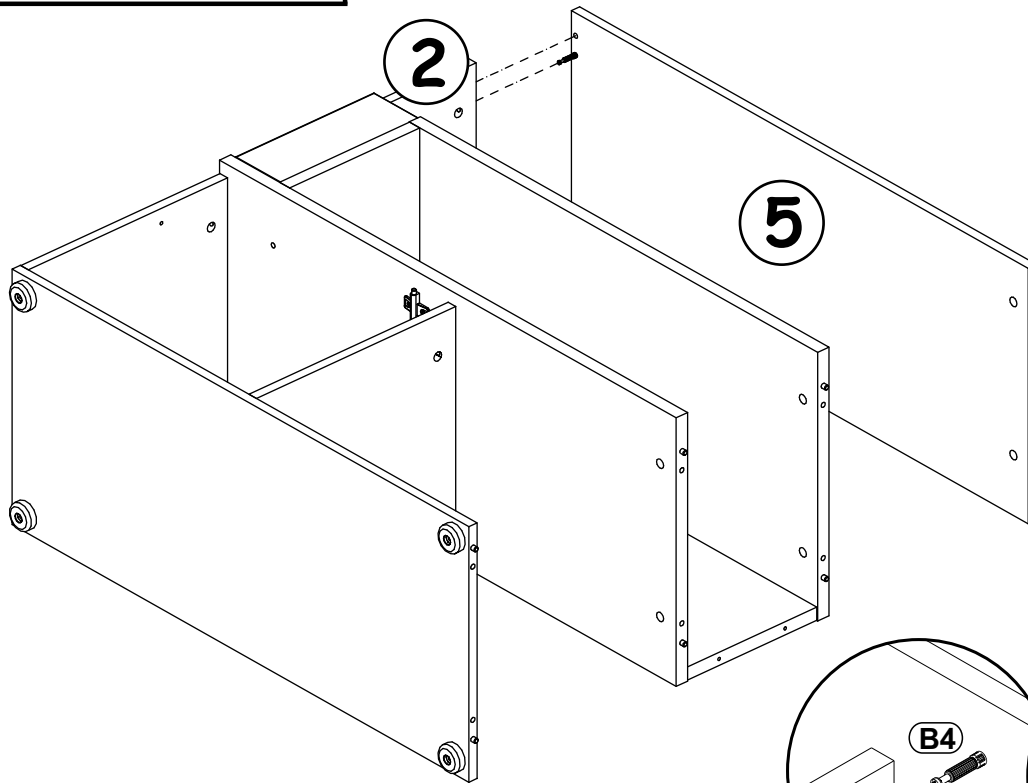
18




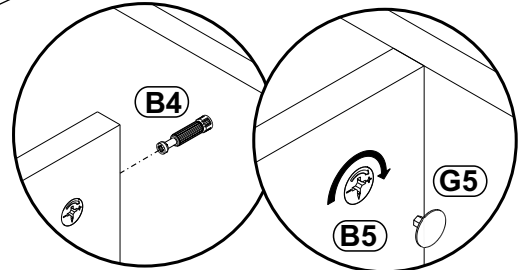
14



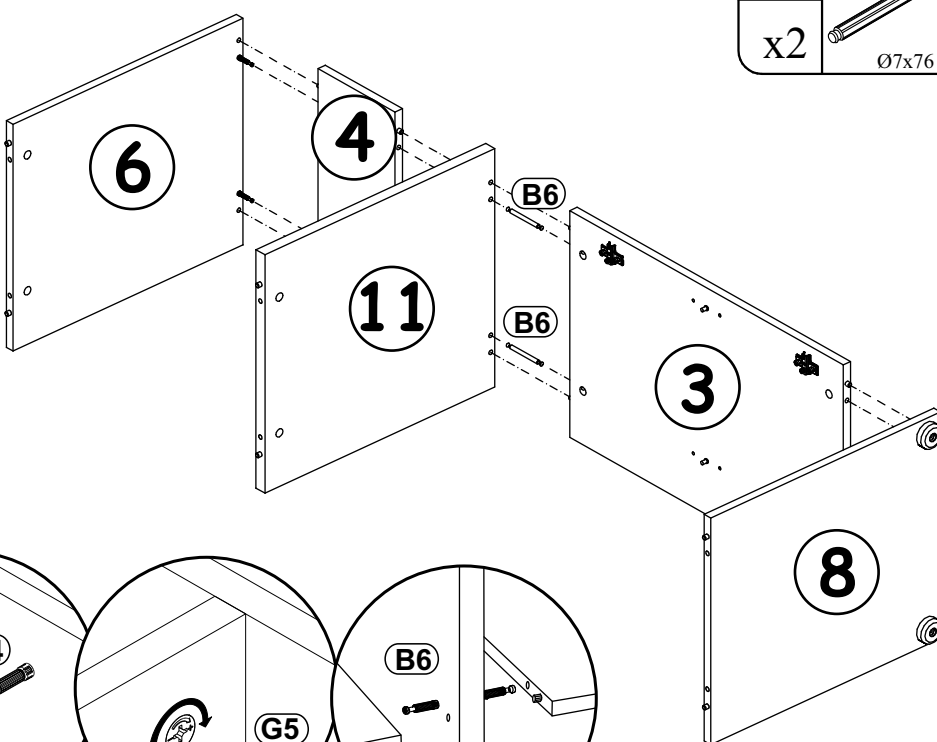
15





| | |
|----|---|
| G5 |  |
| x4 | |

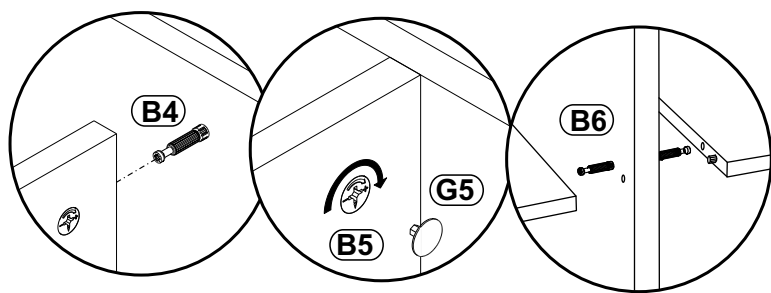


16




| | |
|----|---|
| B6 |  |
| x2 | Ø7x76 |


| | |
|----|---|
| G5 |  |
| x8 | |

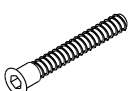



CROSS 28 ** CS SB

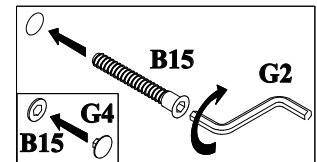
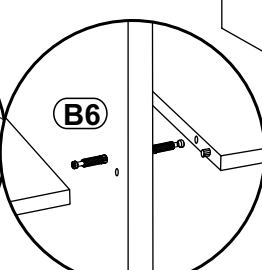
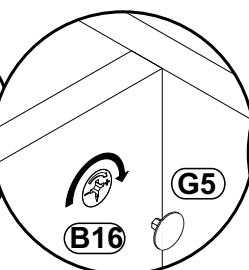
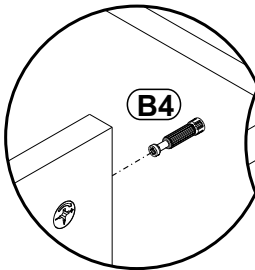
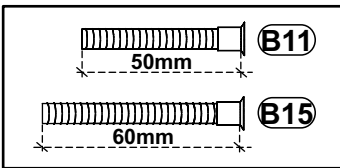
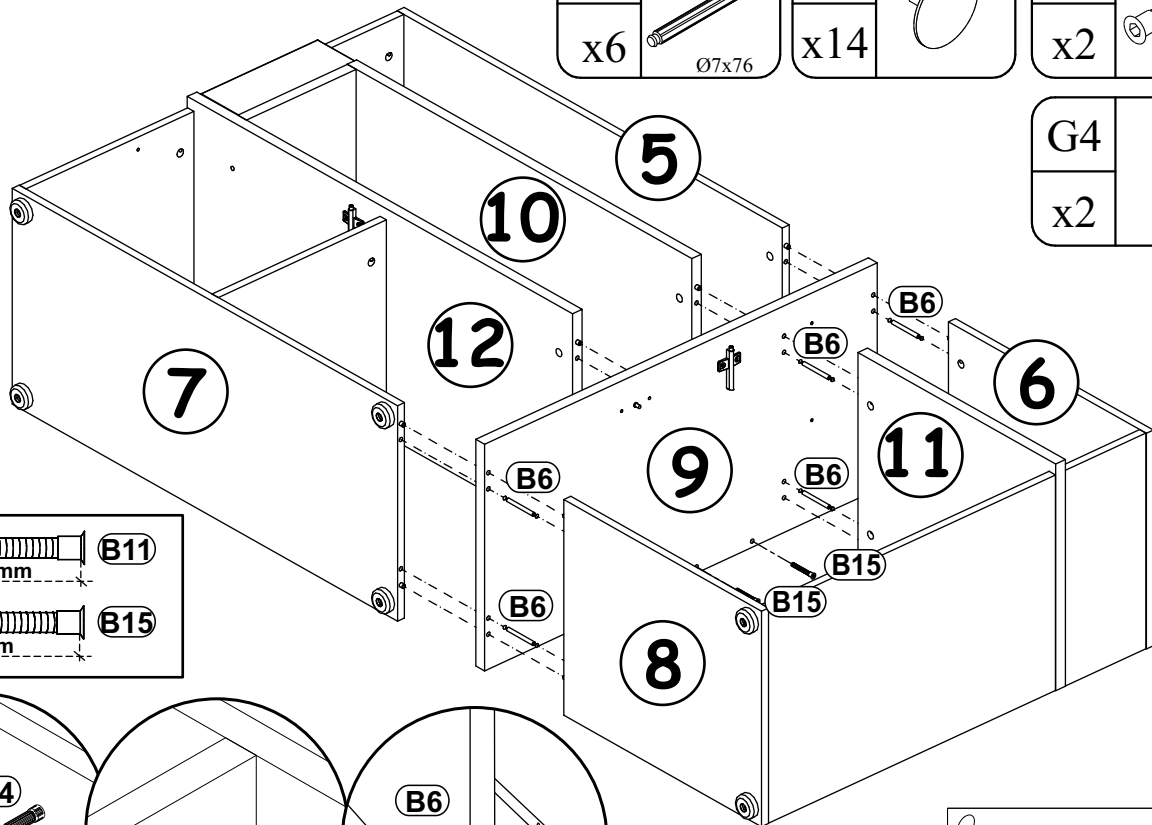
17

| | |
|----|--|
| B6 |  |
| x6 | Ø7x76 |


| | |
|-----|---|
| G5 |  |
| x14 | |

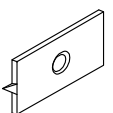
| | |
|-----|---|
| B15 |  |
| x2 | Ø7x60 |

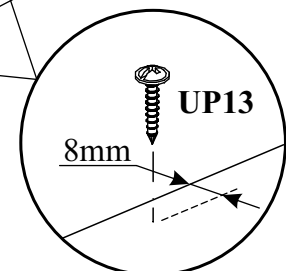
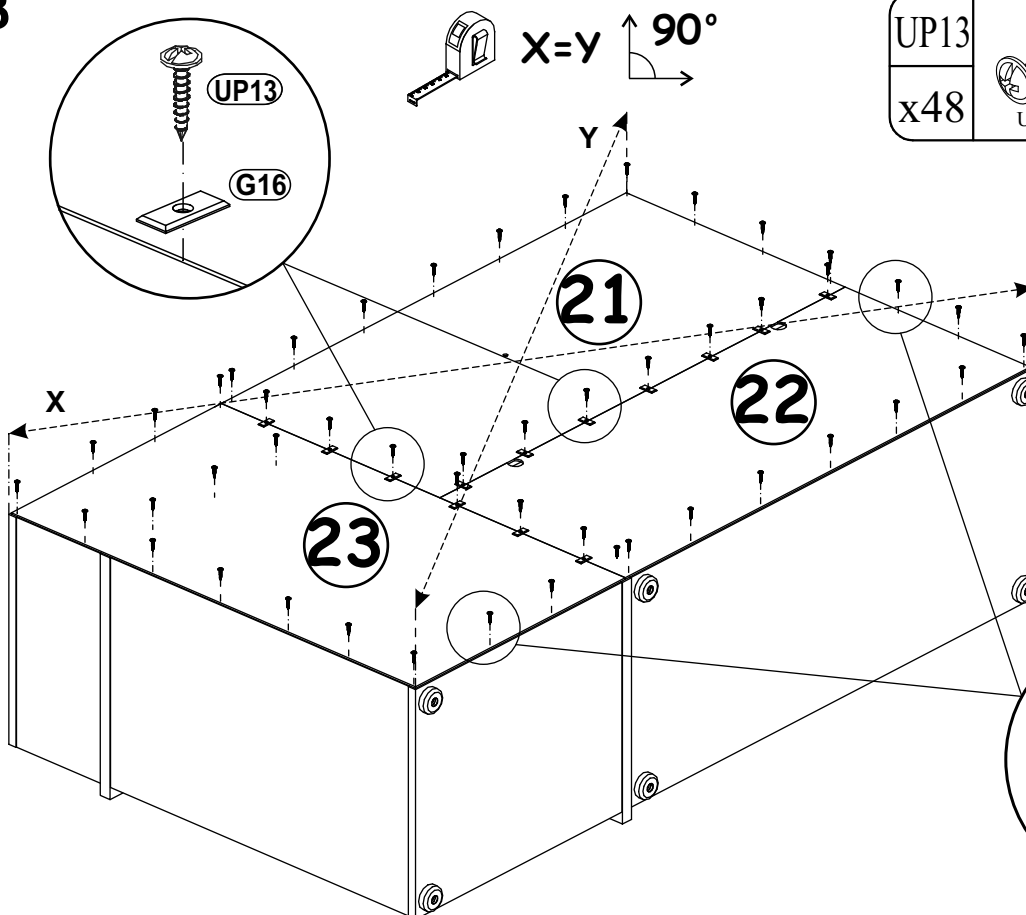
| | |
|----|---|
| G4 |  |
| x2 | |



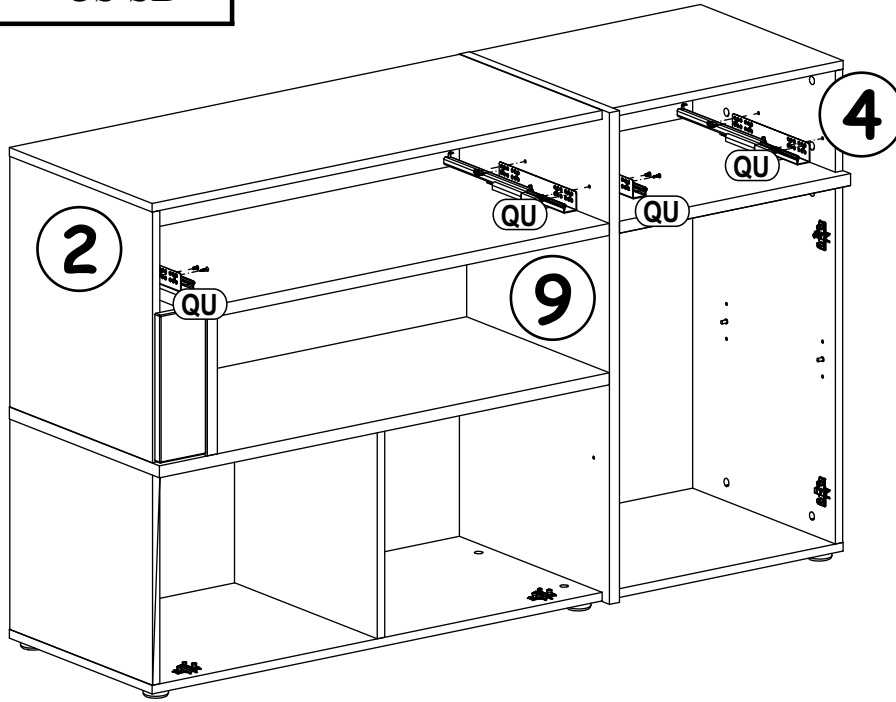
18

| | |
|------|---|
| UP13 |  |
| x48 | UPØ3x16 |

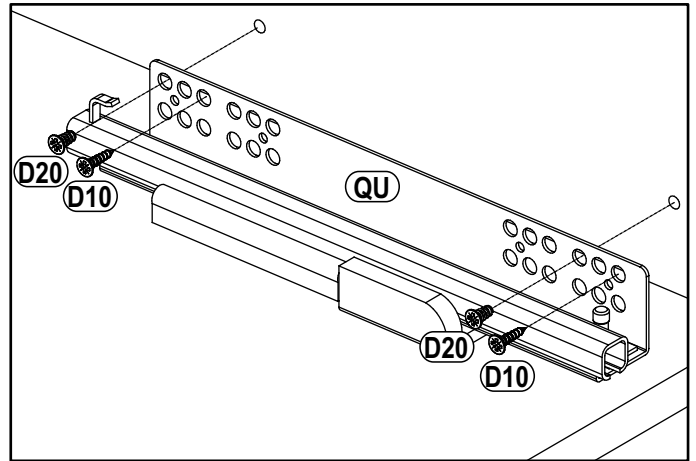
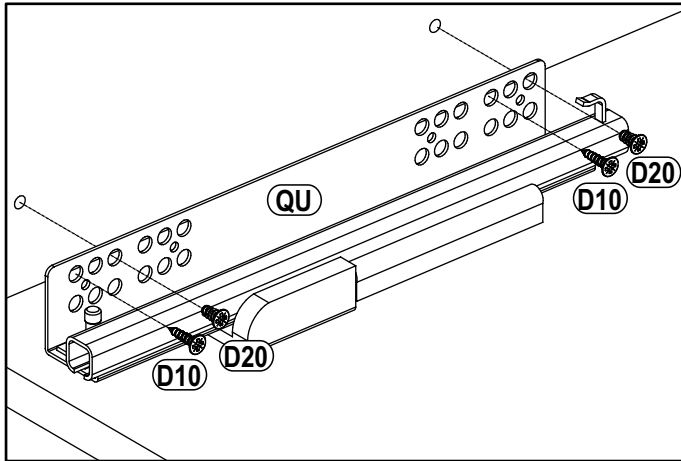
| | |
|-----|---|
| G16 |  |
| x13 | |



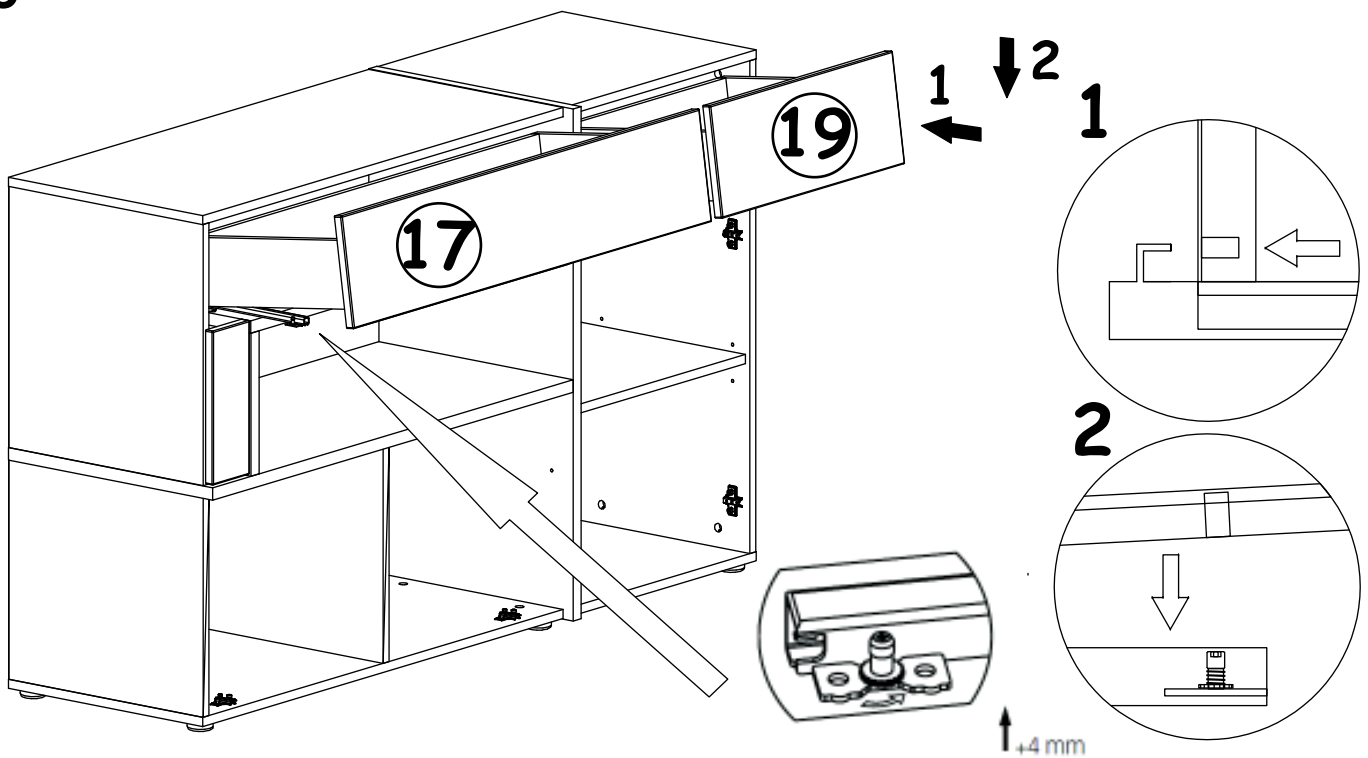
19



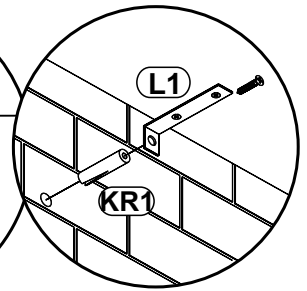
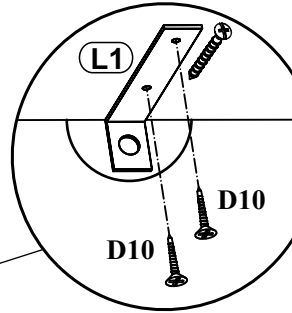
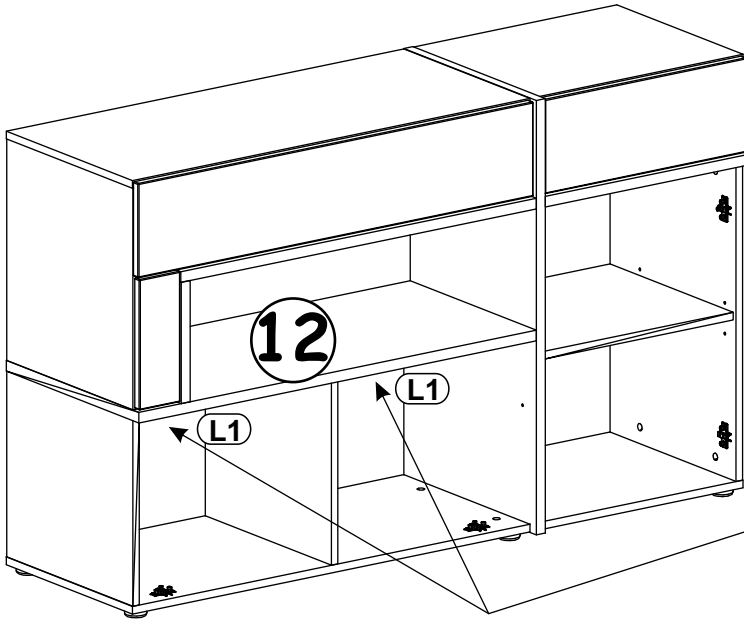
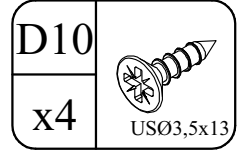
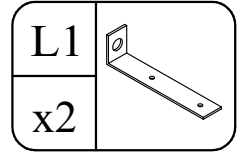
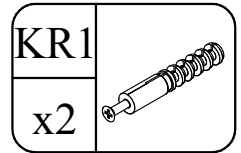
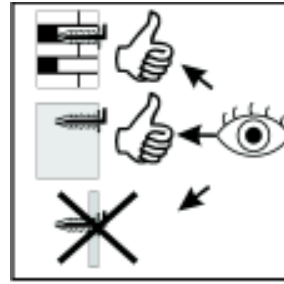
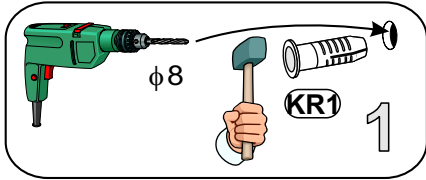
| | |
|-----|------------|
| D20 | |
| x8 | ESØ6,3x9,5 |
| D10 | |
| x8 | USØ3,5x13 |
| QU | |
| x2 | L-350 |



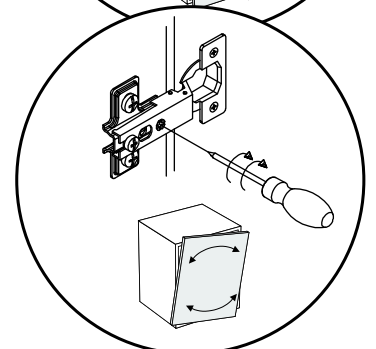
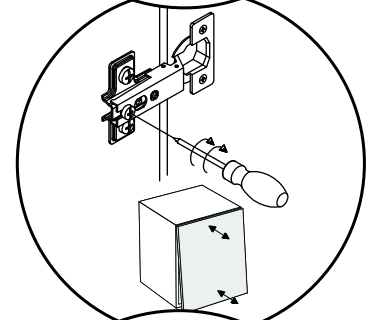
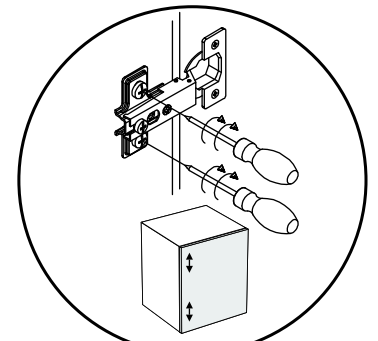
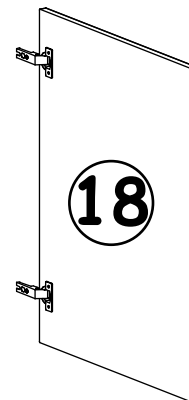
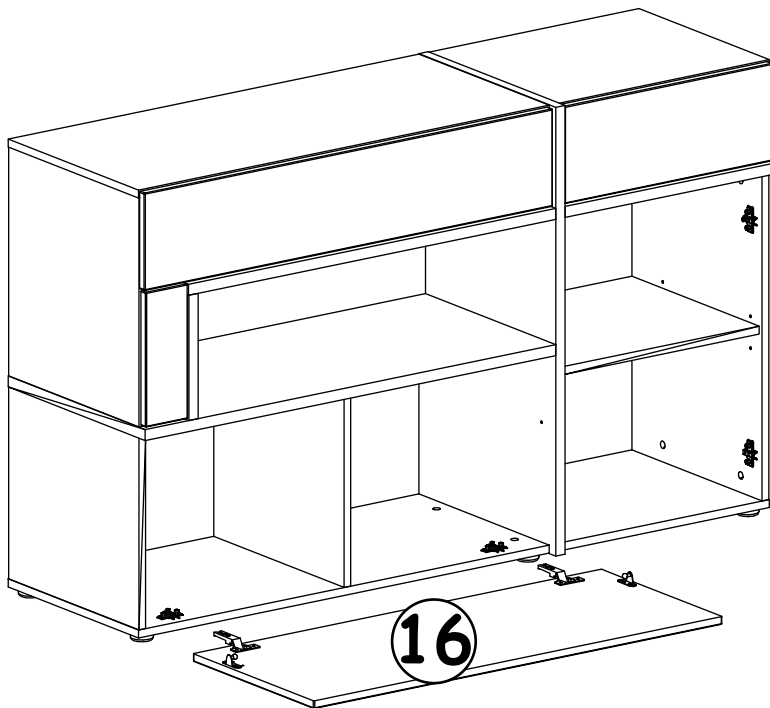
20



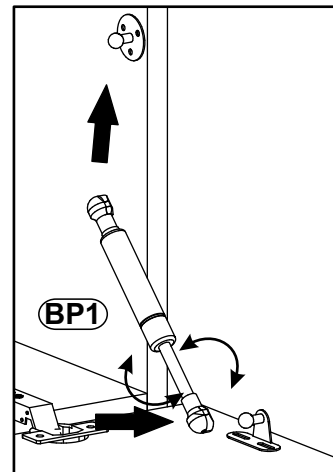
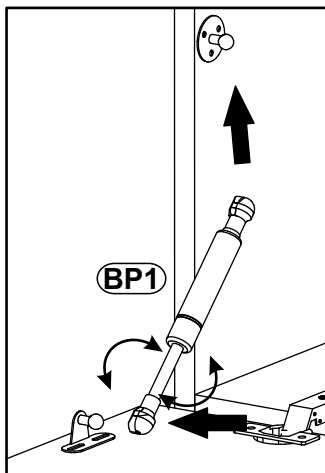
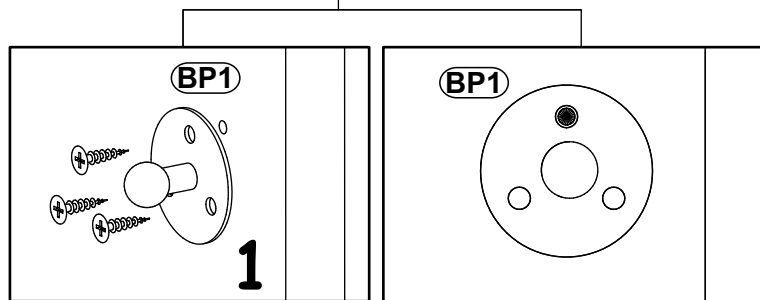
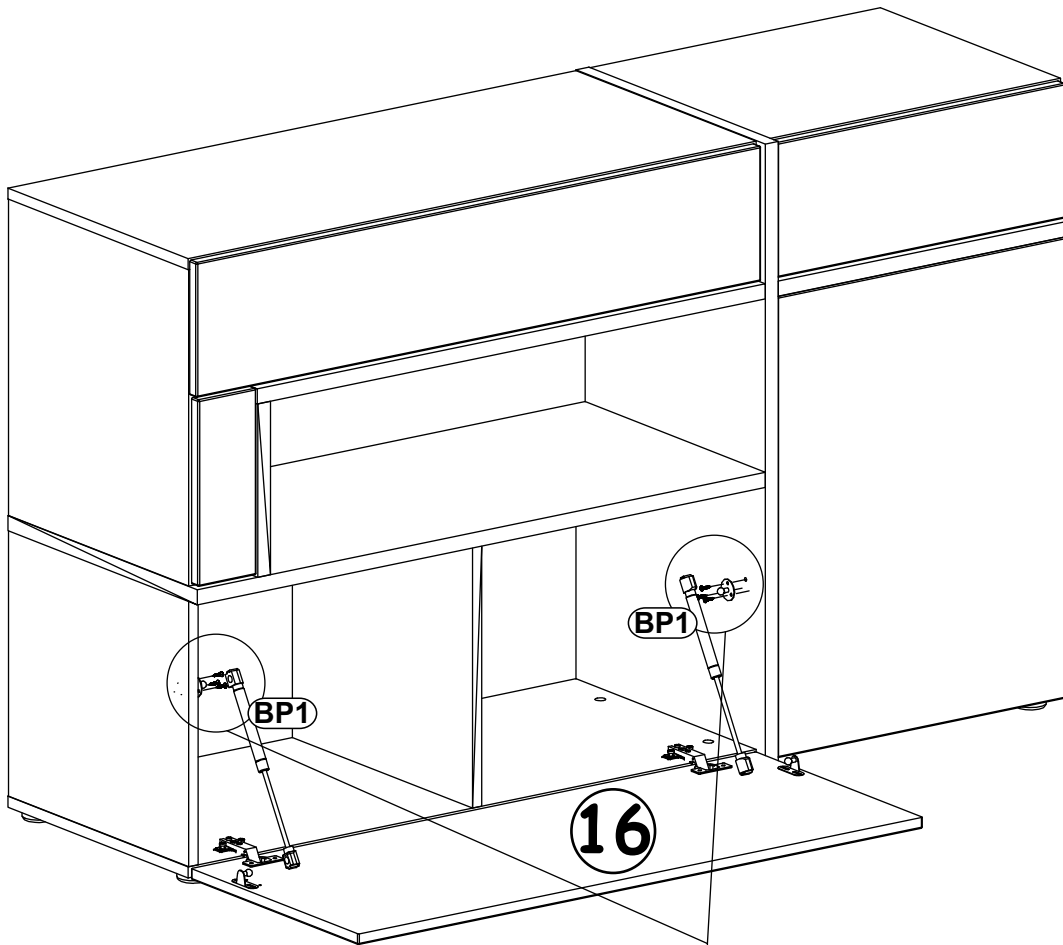
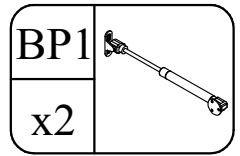
21



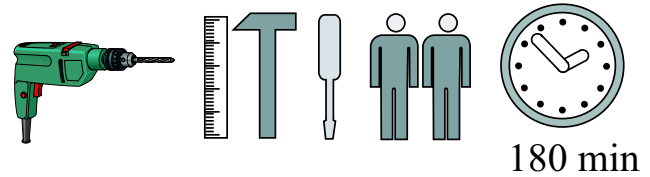
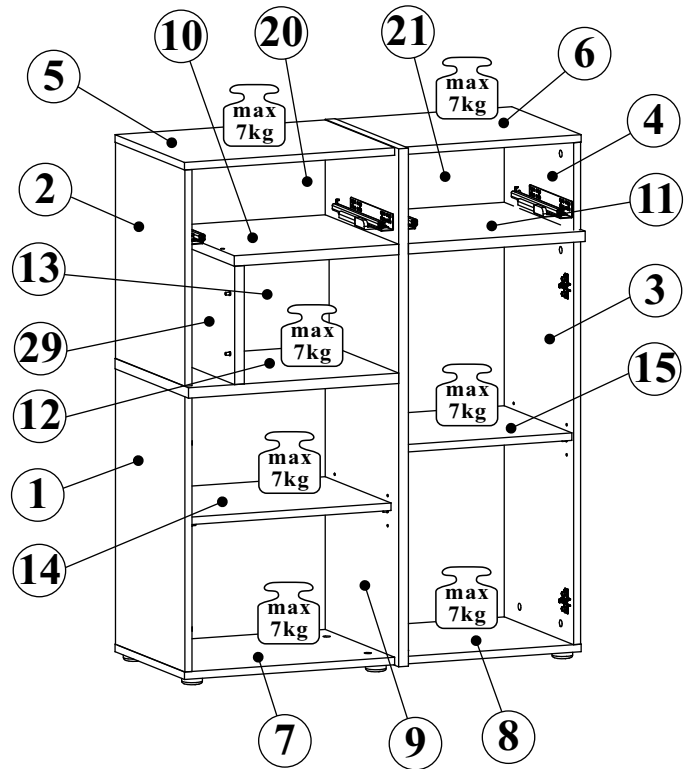
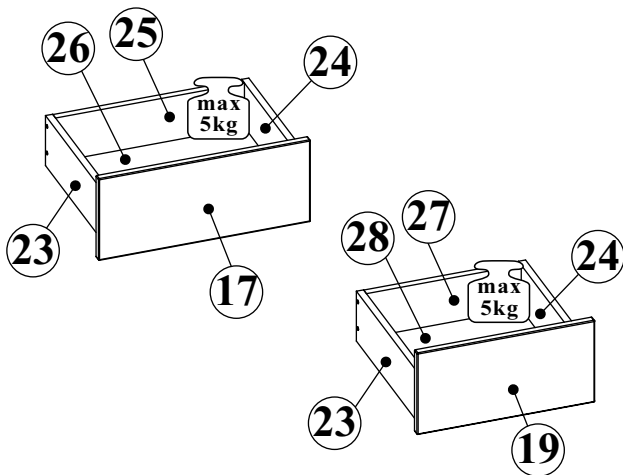
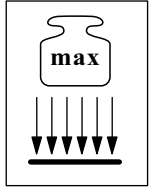
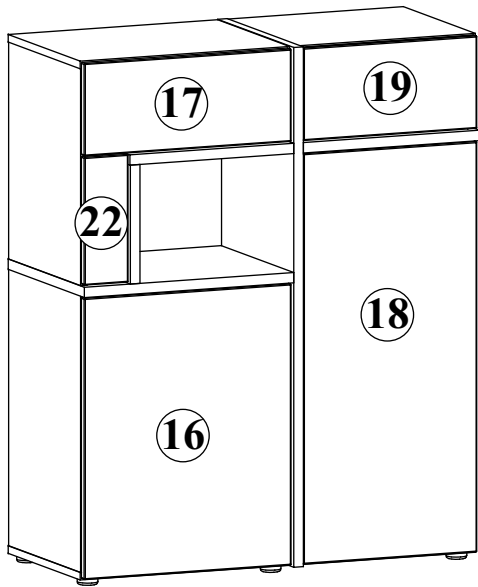
22



23



CROSS 28 ** CS WSN



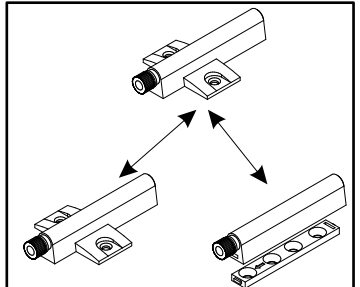
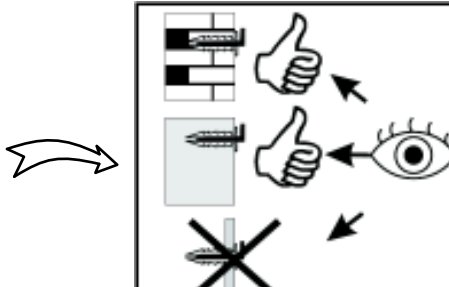
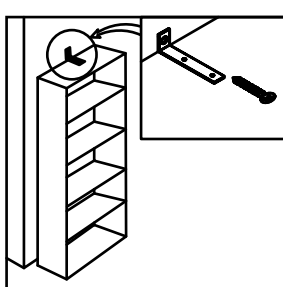
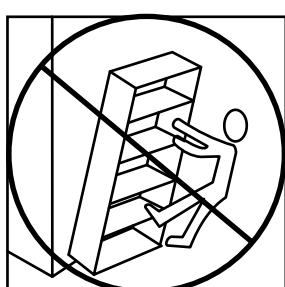
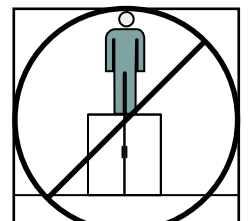
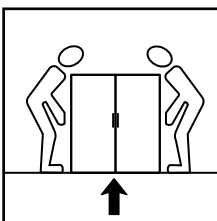
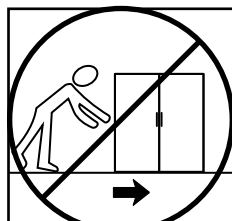
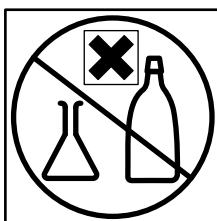
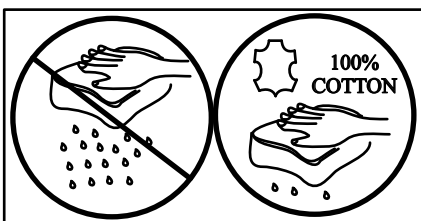
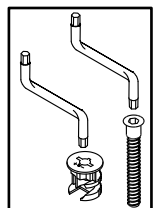
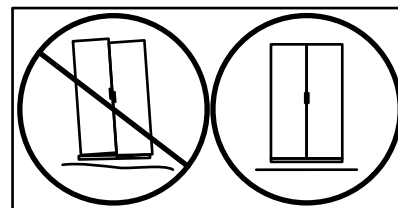
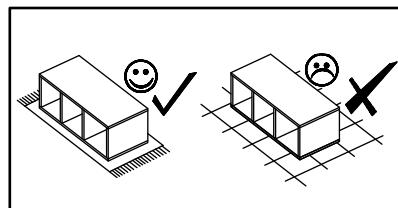
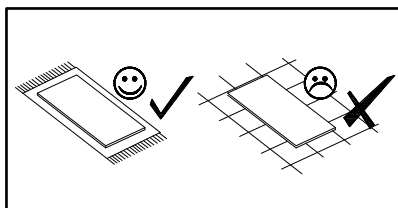
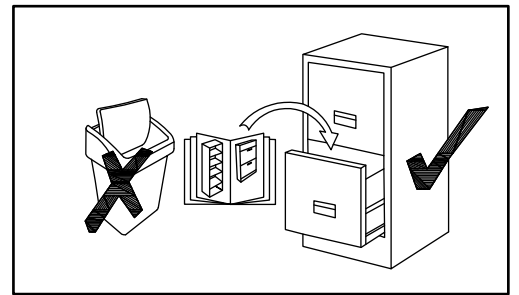
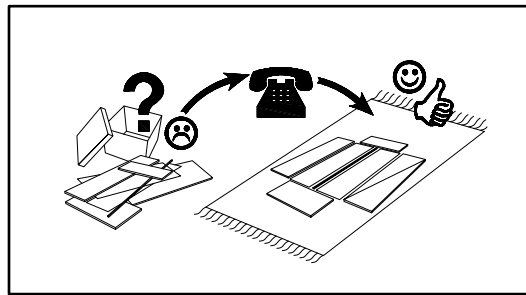
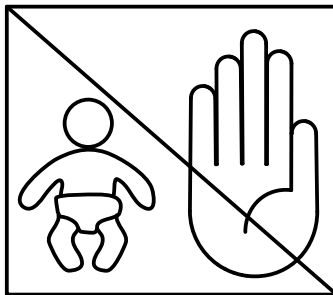
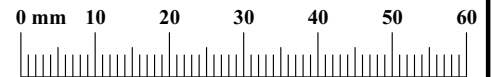
180 min

| NO | Dim. | | Col.-No | Qty | |
|----|------|-----|---------|-----|---|
| 1 | 586 | 377 | 16 | 2 | 1 |
| 2 | 460 | 377 | 16 | 2 | 1 |
| 3 | 860 | 377 | 16 | 2 | 1 |
| 4 | 186 | 377 | 16 | 2 | 1 |
| 5 | 478 | 377 | 16 | 2 | 1 |
| 6 | 402 | 377 | 16 | 2 | 1 |
| 7 | 478 | 377 | 16 | 2 | 1 |
| 8 | 402 | 377 | 16 | 2 | 1 |
| 9 | 1102 | 399 | 22 | 1 | 1 |
| 10 | 374 | 399 | 22 | 1 | 1 |
| 11 | 402 | 399 | 22 | 1 | 1 |
| 12 | 478 | 399 | 22 | 1 | 1 |
| 13 | 350 | 251 | 22 | 1 | 1 |
| 14 | 461 | 367 | 16 | 2 | 1 |
| 15 | 385 | 367 | 16 | 2 | 1 |

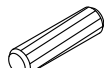
| NO | Dim. | | Col.-No | Qty | |
|----|------|-----|---------|-----|---|
| 16 | 596 | 472 | 16 | 1 | 1 |
| 17 | 196 | 472 | 16 | 1 | 1 |
| 18 | 870 | 396 | 16 | 1 | 1 |
| 19 | 196 | 396 | 16 | 1 | 1 |
| 20 | 1094 | 485 | 3 | 1 | 1 |
| 21 | 1094 | 410 | 3 | 1 | 1 |
| 22 | 271 | 100 | 16 | 1 | 1 |
| 23 | 350 | 120 | 16 | 2 | 2 |
| 24 | 350 | 120 | 16 | 2 | 2 |
| 25 | 421 | 106 | 16 | 2 | 1 |
| 26 | 354 | 433 | 3 | 2 | 1 |
| 27 | 345 | 106 | 16 | 2 | 1 |
| 28 | 354 | 357 | 3 | 2 | 1 |
| 29 | 252 | 399 | 22 | 1 | 1 |

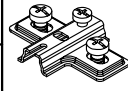
CROSS 28 ** CS WSN


| | | | | | |
|-------------------------|-----------------------|-------------------------|---------------------|-------------------------|-------------|
| A1 x42 ø8x36 | B4 x14 | B6 x10 Ø7x76 | B5 x28 ø15x12 | B16 x6 Ø15x16 | G5 x34 |
| E21 x4 Ø35 H=0 | E2 x4 H=0 | D10 x22 USØ3,5x13 | QU x2 L-350mm | D20 x8 ESØ6,3x9,5 | G7 x10 |
| I11 x6 Ø45, h=15 | UP15 x6 UPØ4x25 | S1 x2 | G16 x10 | UP13 x42 UPØ3x16 | T3/T5 x2 |
| B11 x8 Ø7x50 | B15 x8 Ø7x60 | G4 x16 | L6 x2 | D31 x4 EKØ6,3x13 | G2 x1 |
| KR1 x1 | L1 x1 | | | | |

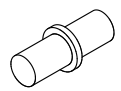


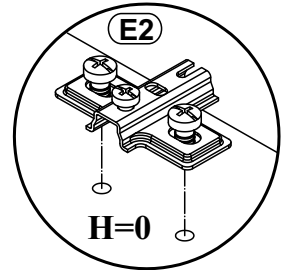
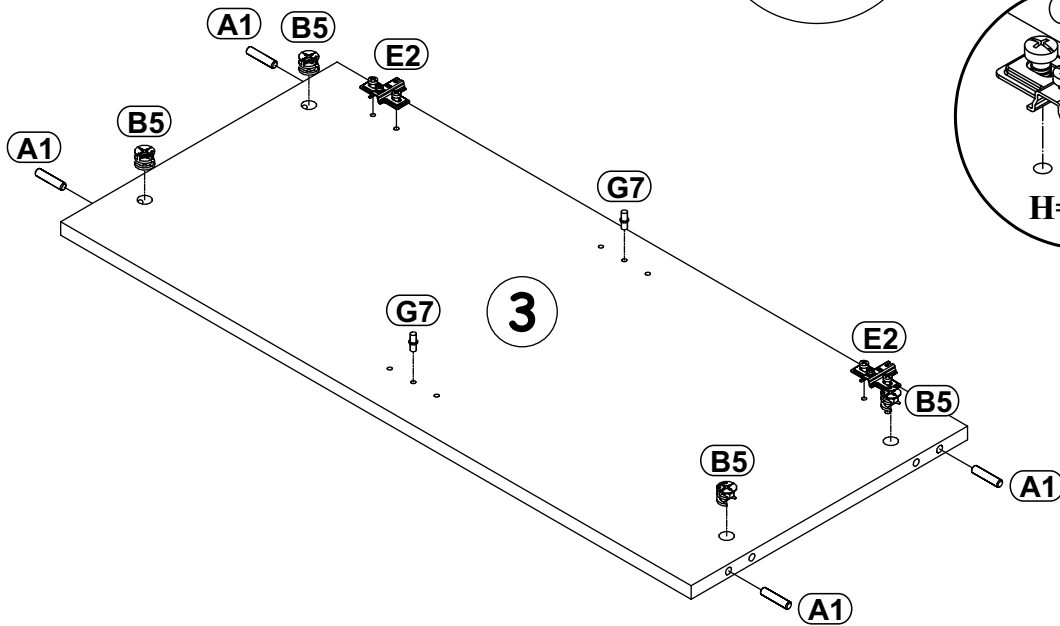
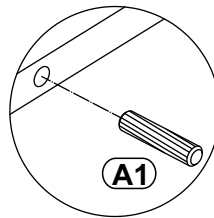
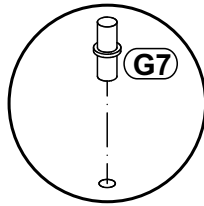
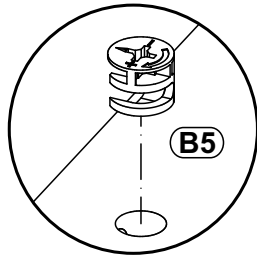
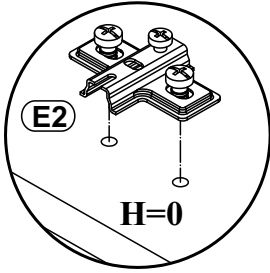
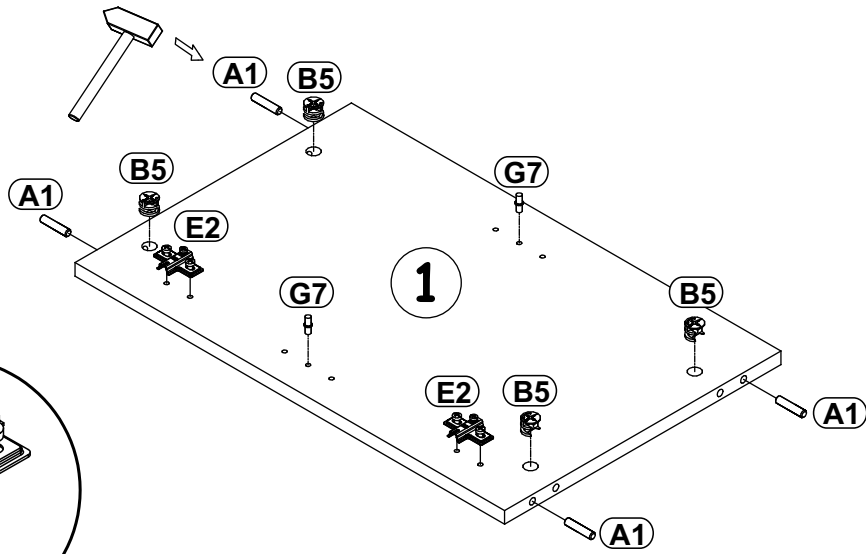
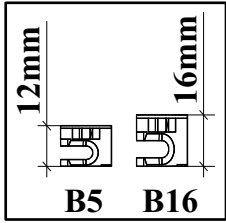
1

| | |
|----|---|
| A1 |  |
| x8 | ø8x36 |

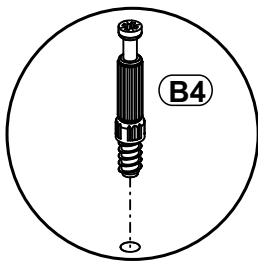
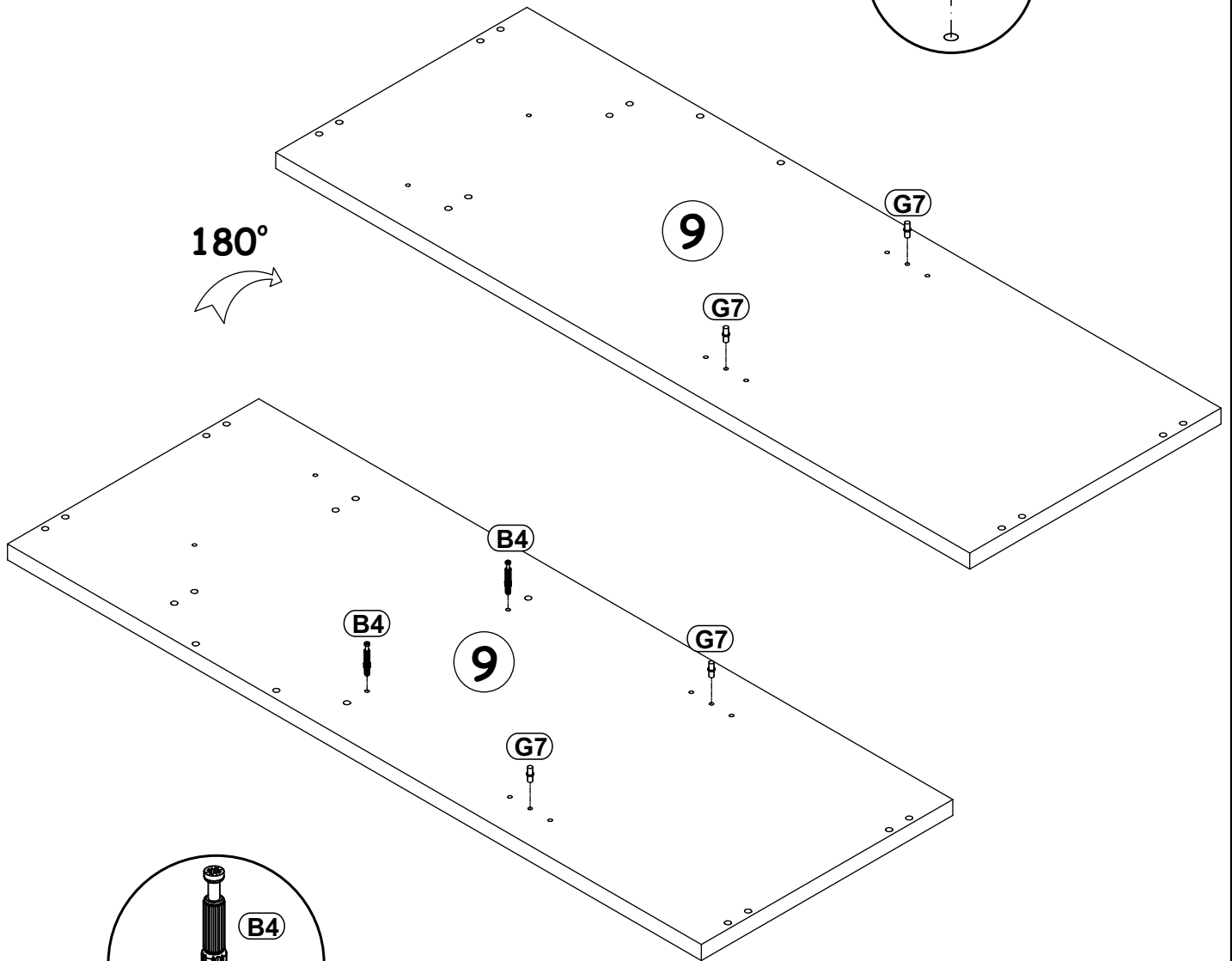
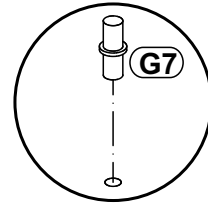
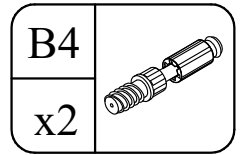
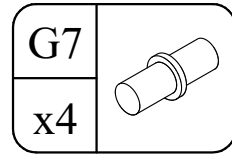
| | |
|----|--|
| E2 |  |
| x4 | H=0 |

| | |
|----|---|
| B5 |  |
| x8 | ø15x12 |

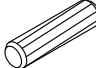
| | |
|----|---|
| G7 |  |
| x4 | |




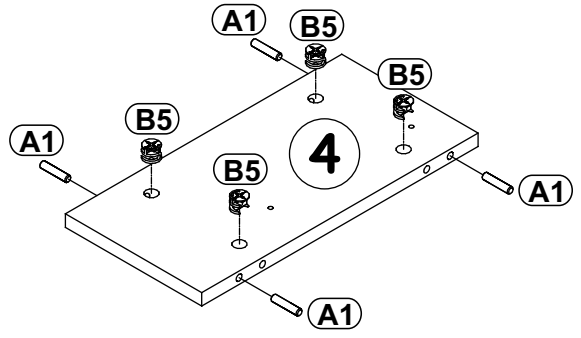
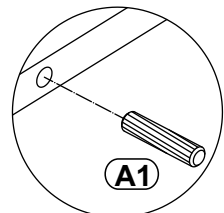
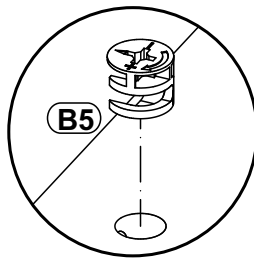
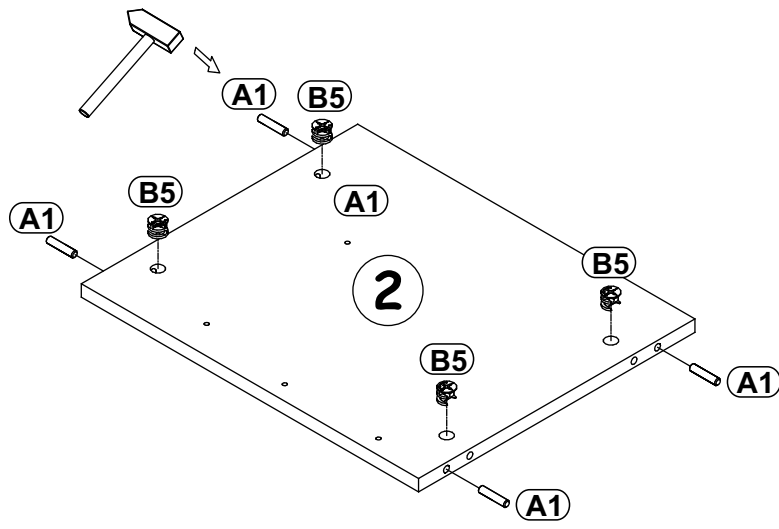
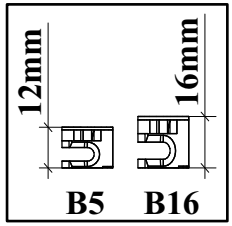
2



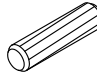
3

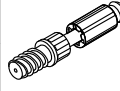
| | |
|----|---|
| A1 |  |
| x8 | ø8x36 |


| | |
|----|---|
| B5 |  |
| x8 | ø15x12 |

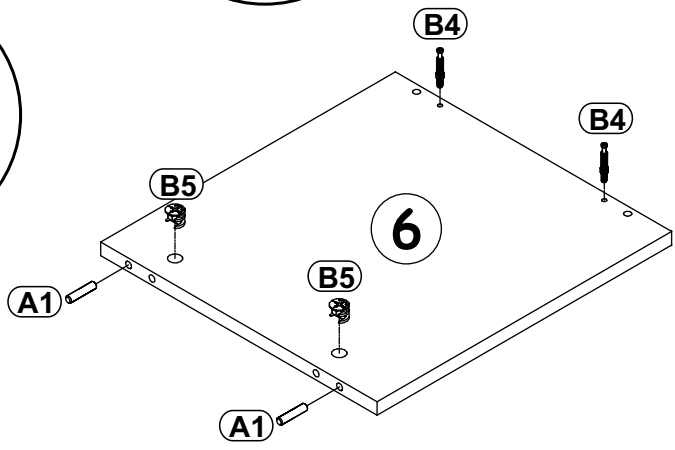
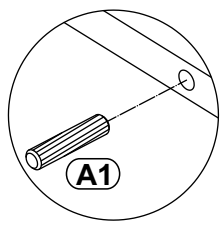
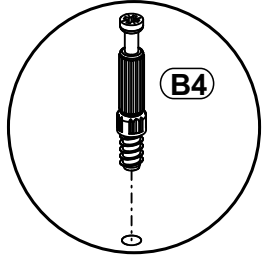
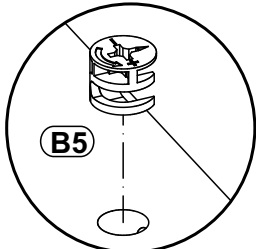
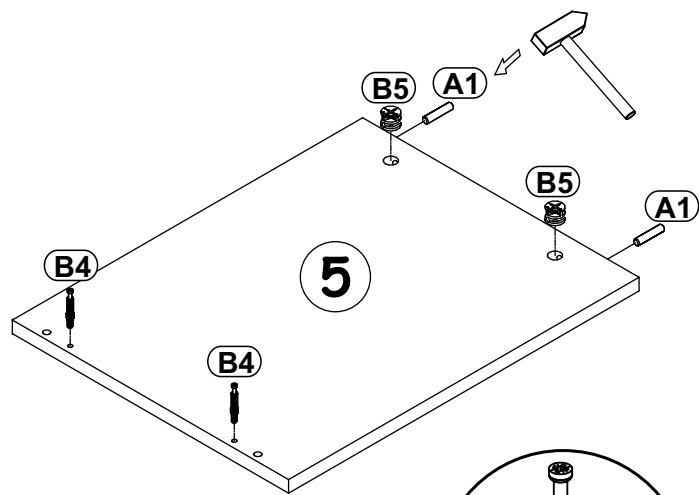


4

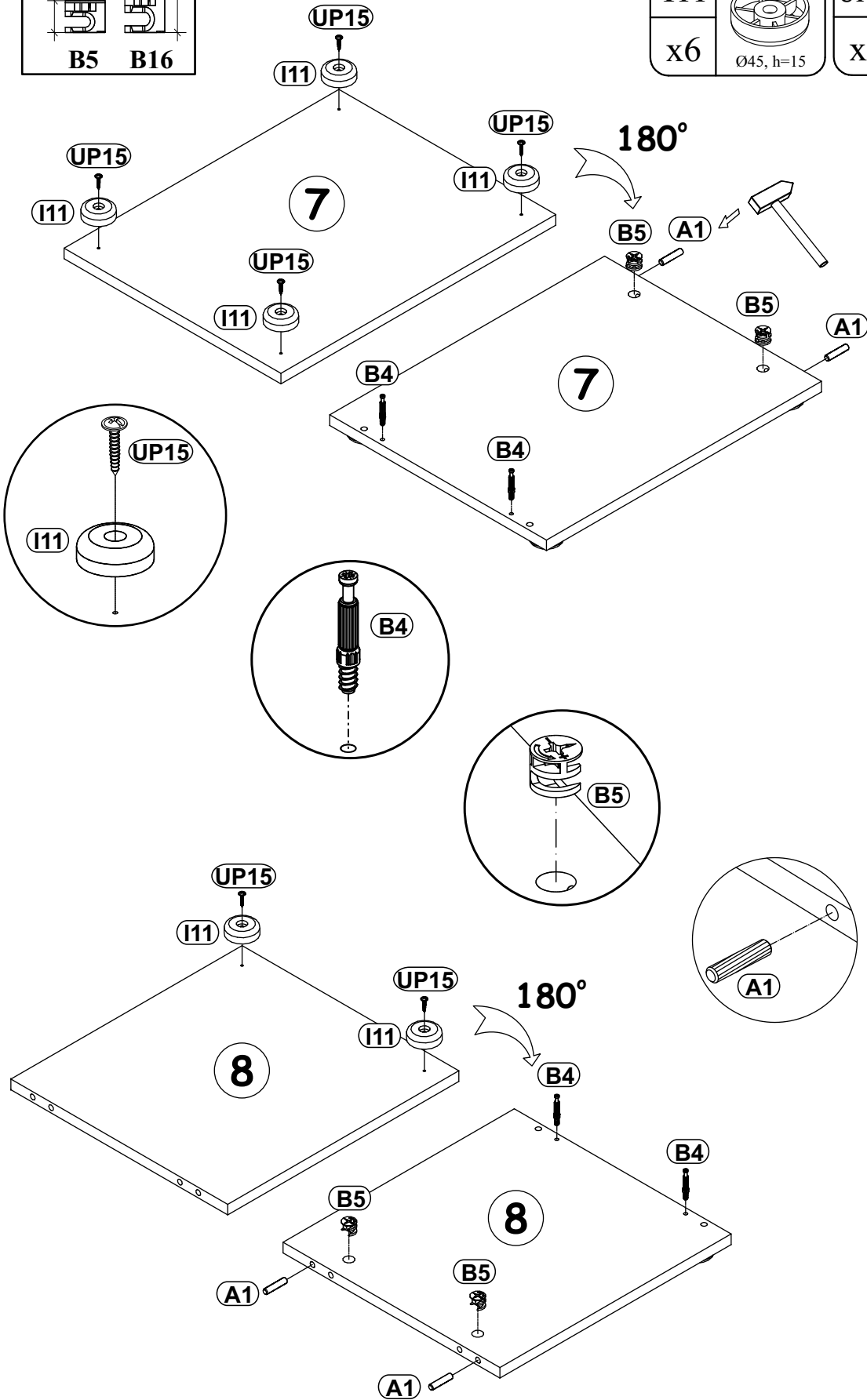
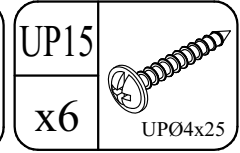
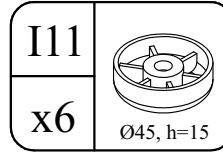
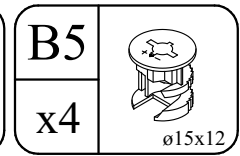
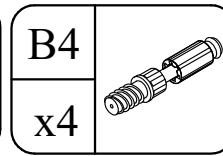
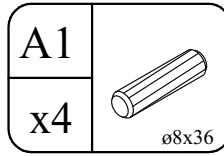
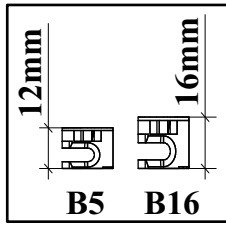
| | |
|----|--|
| A1 |  |
| x4 | ø8x36 |

| | |
|----|---|
| B4 |  |
| x4 | |

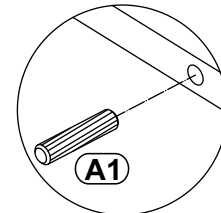
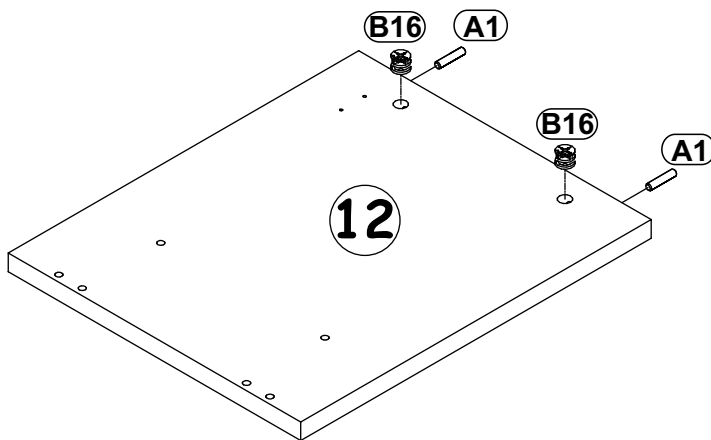
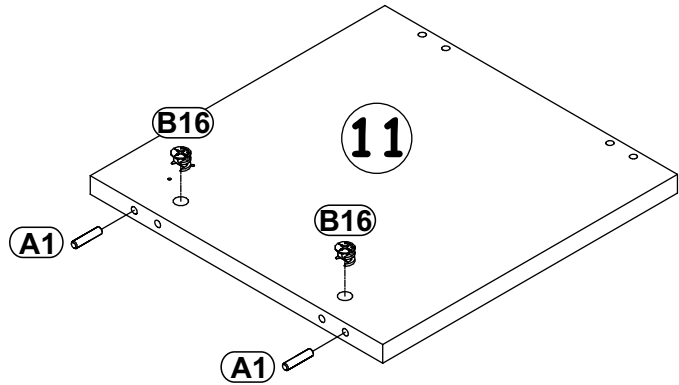
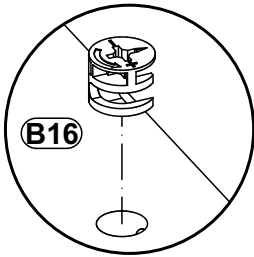
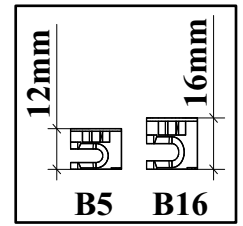
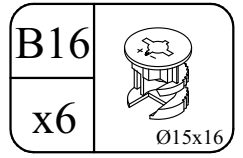
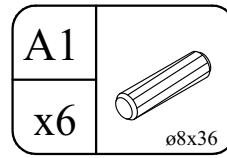
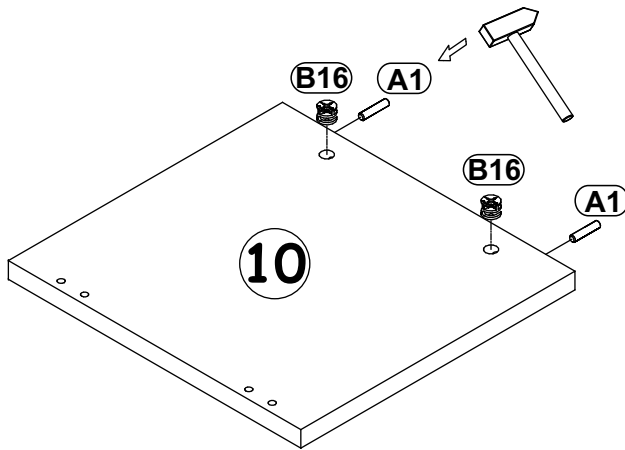
| | |
|----|---|
| B5 |  |
| x4 | ø15x12 |



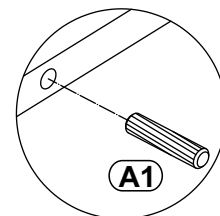
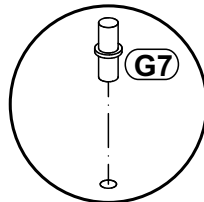
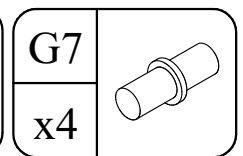
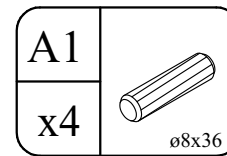
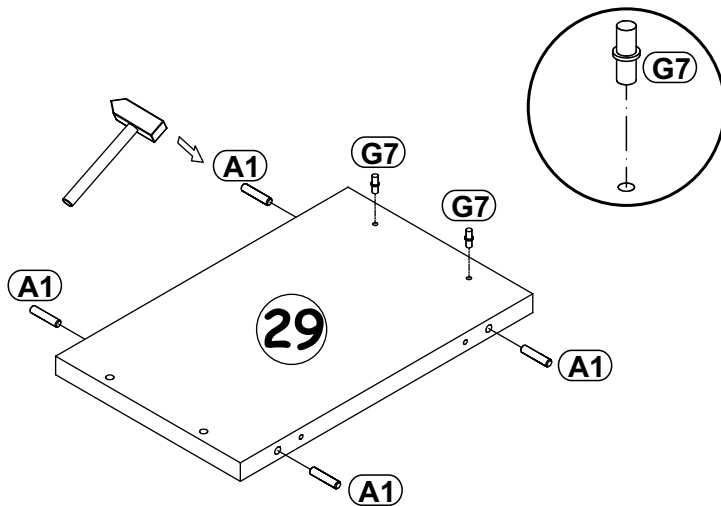
5



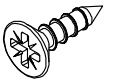
6

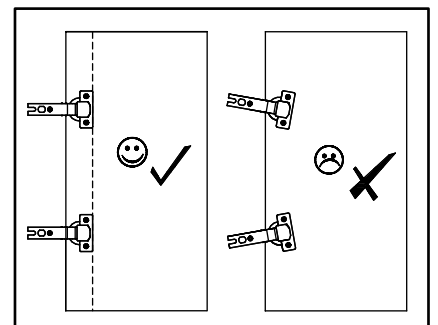
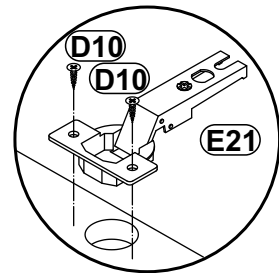
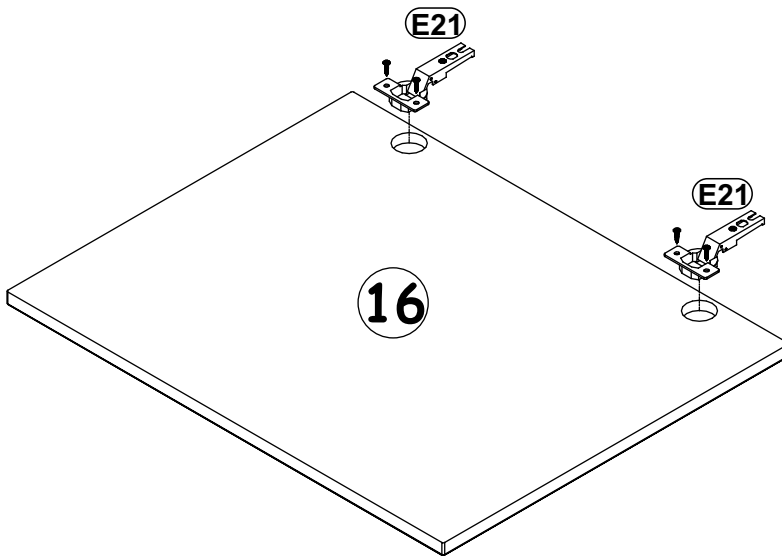
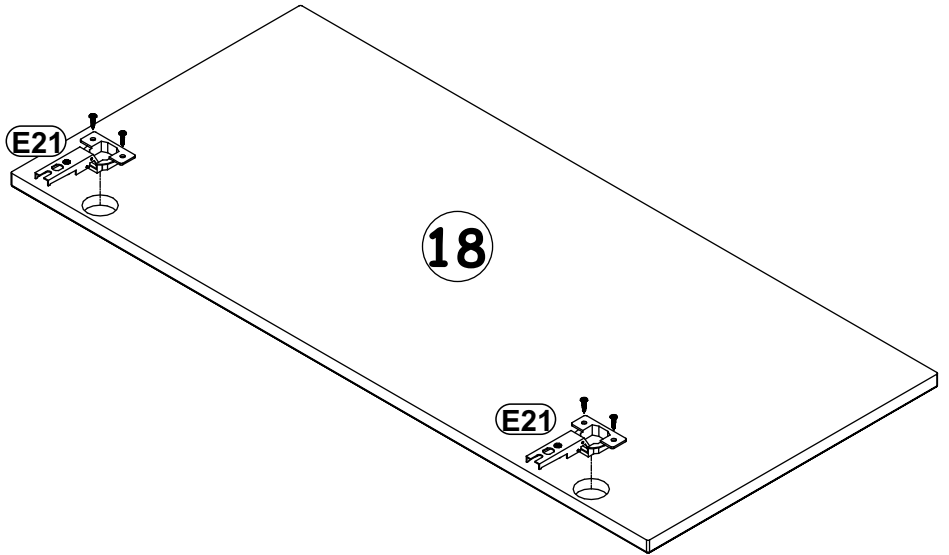
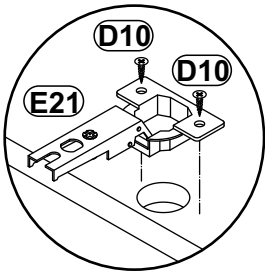
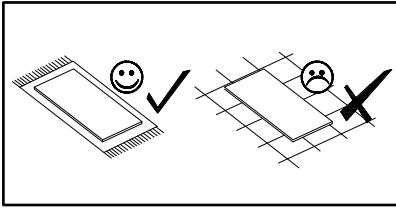


7



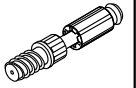
8

| | | | |
|-----|-----|-----|--|
| E21 | Ø35 | D10 |  USØ3,5x13 |
| x4 | H=0 | x8 | |

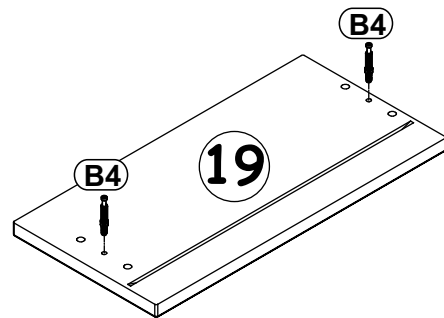
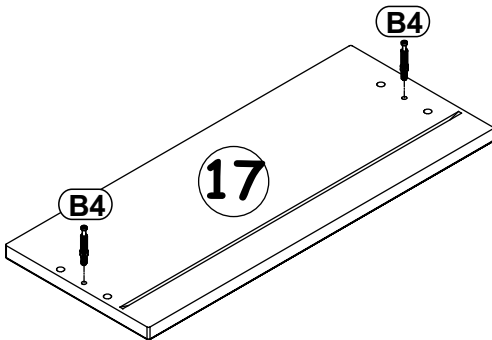
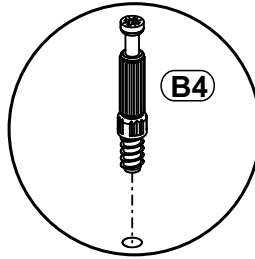
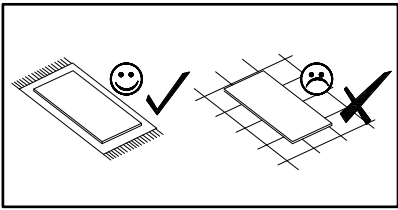


B4

x4



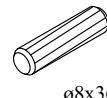
9



10

A1

x8



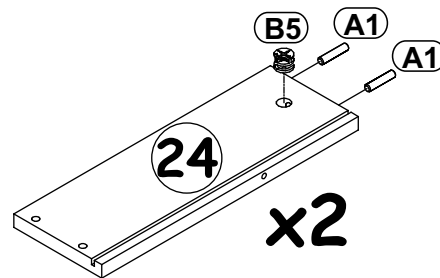
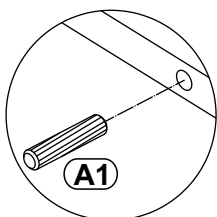
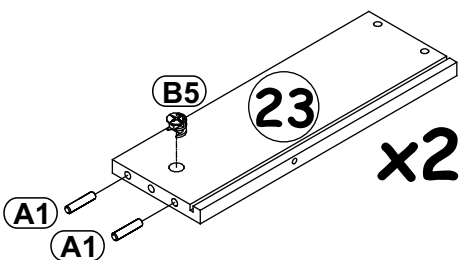
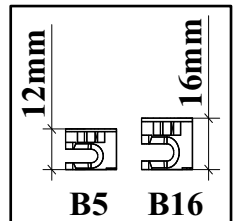
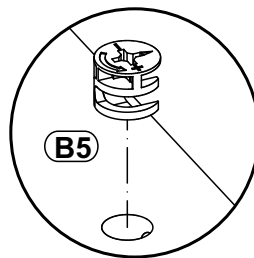
ø8x36

B5

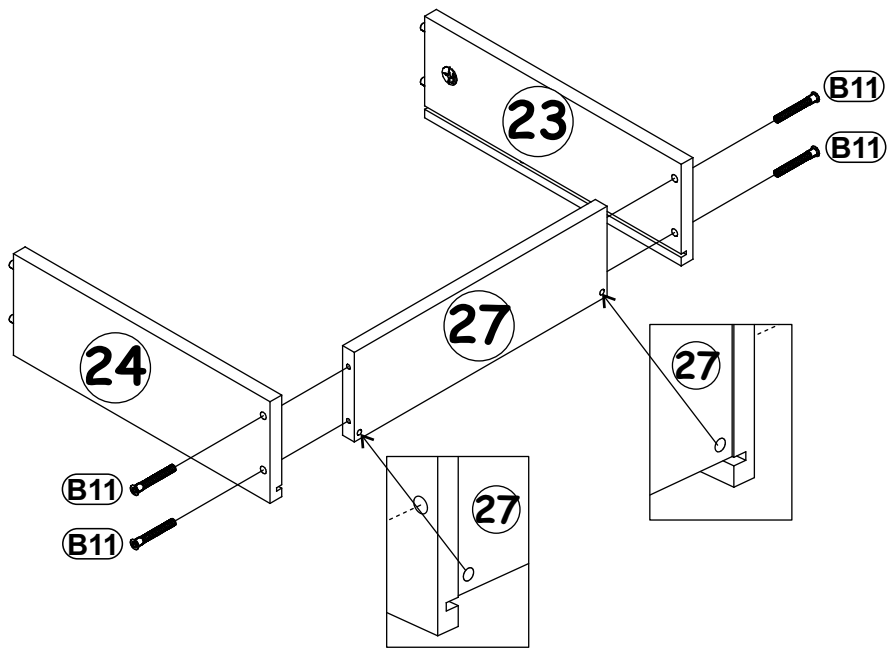
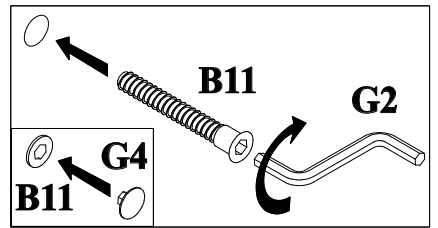
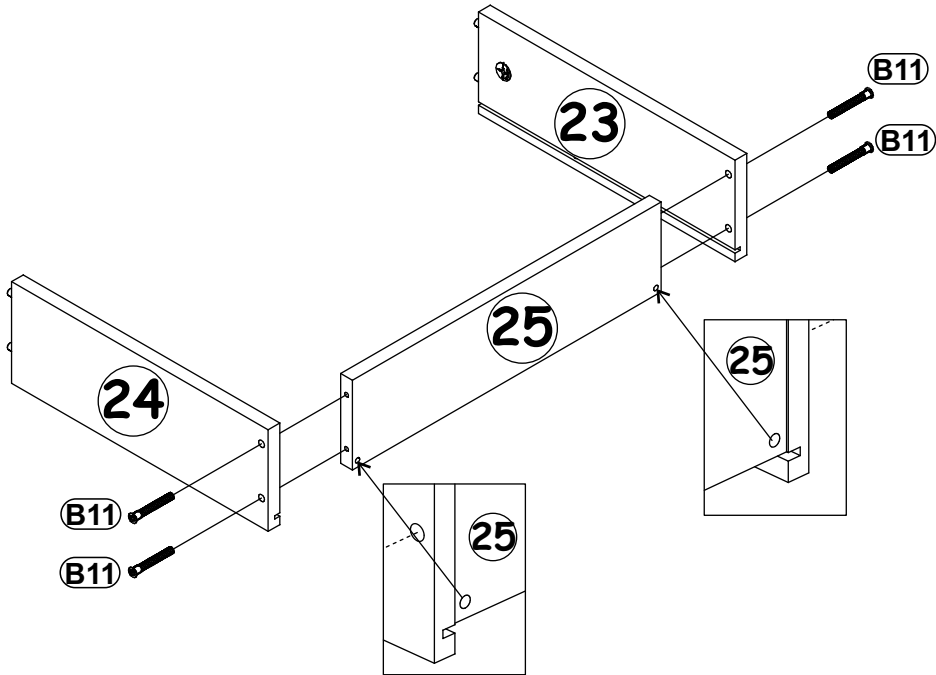
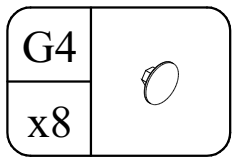
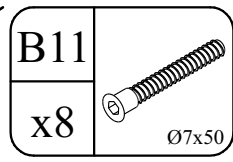
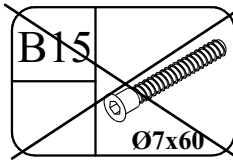
x4




ø15x12

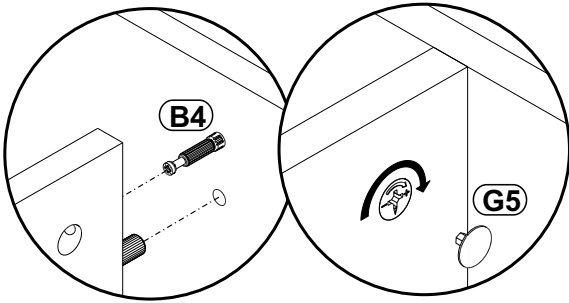
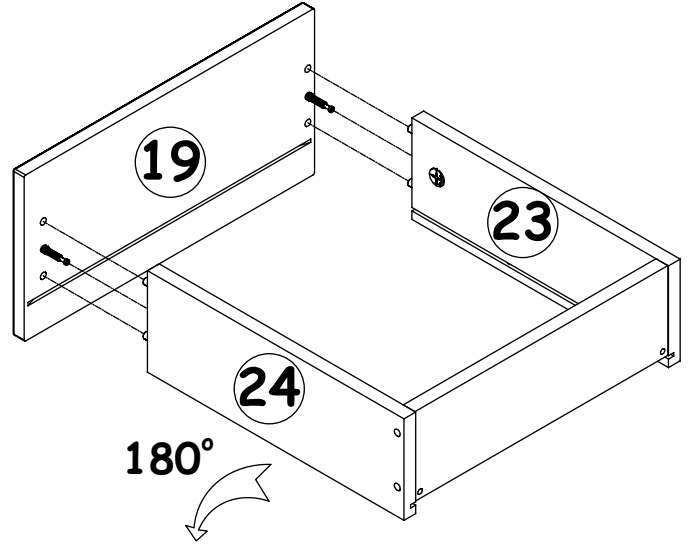
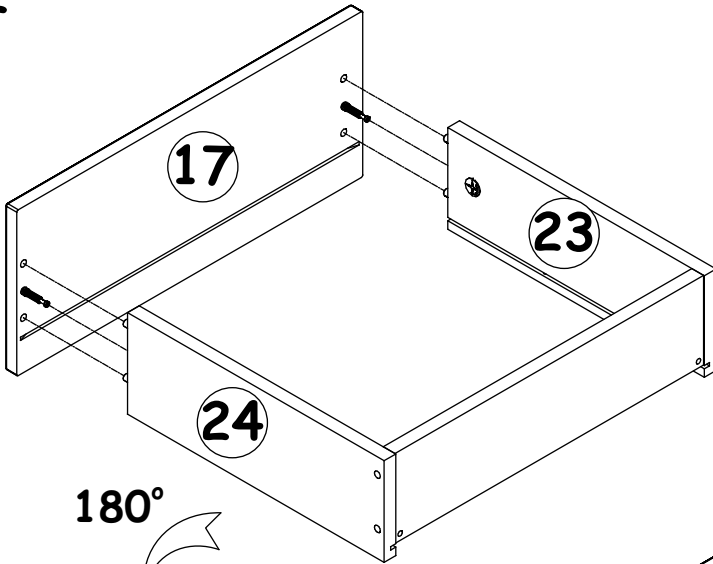


11

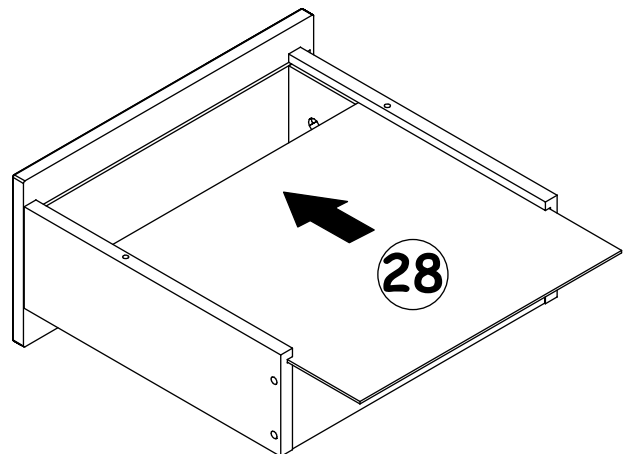
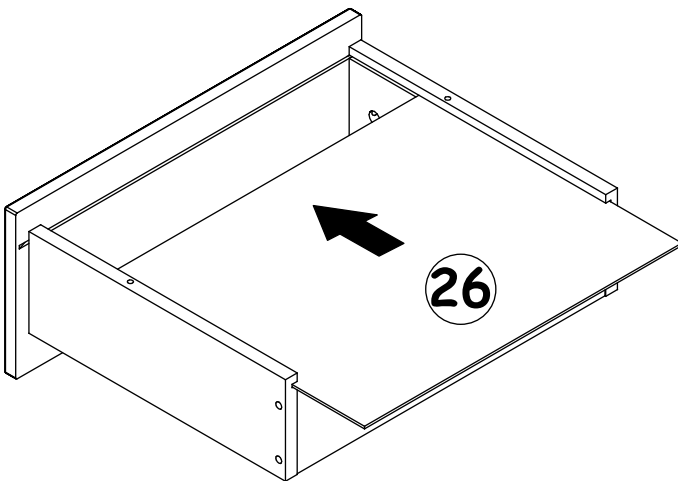


| | |
|----|---|
| G5 |  |
| x4 | |

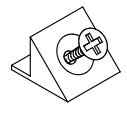

12

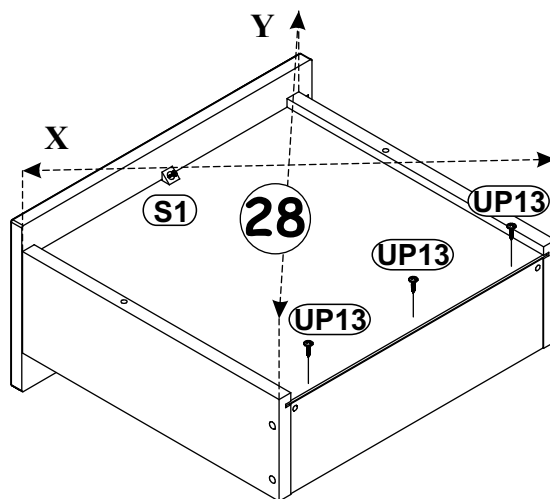
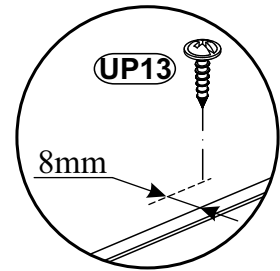
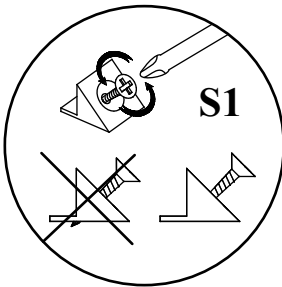
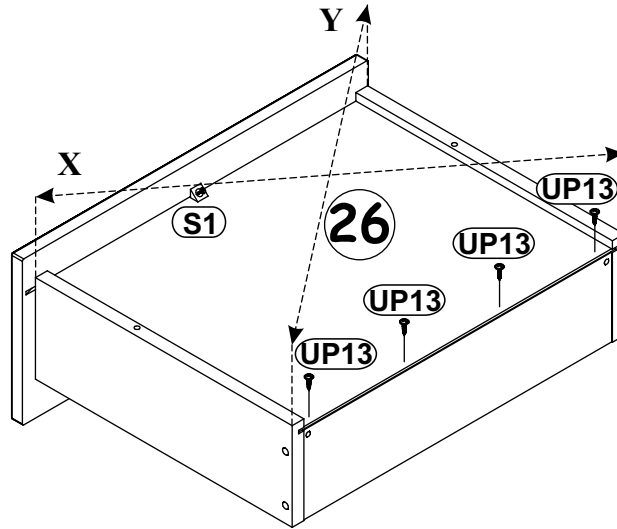


13

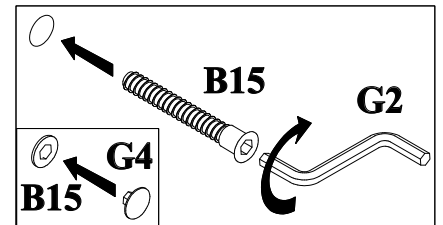
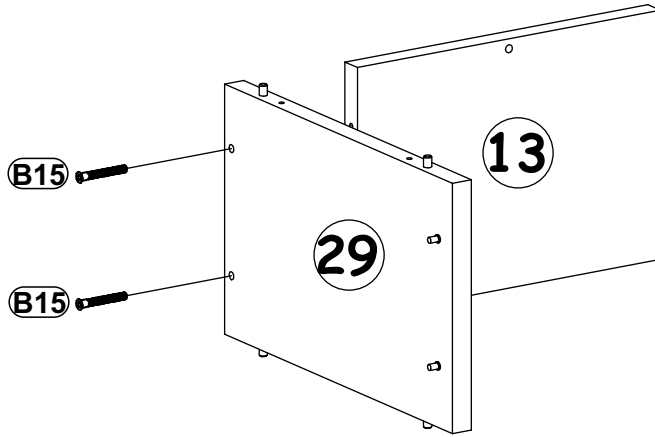
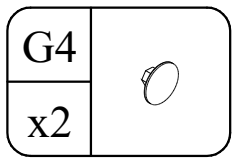
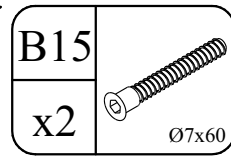
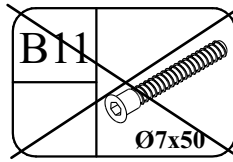


14

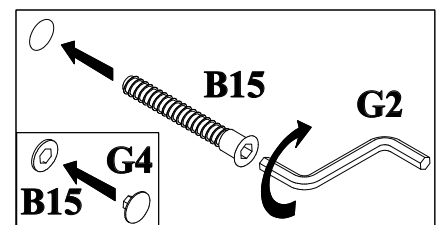
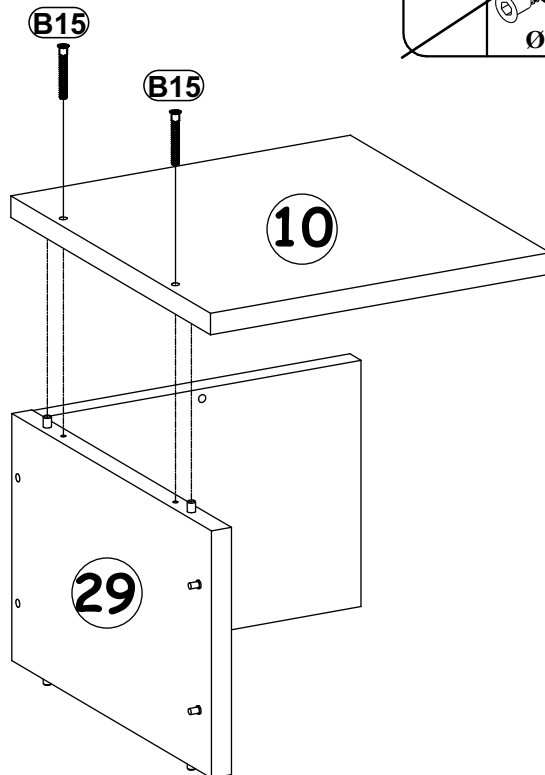
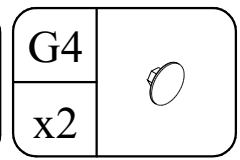
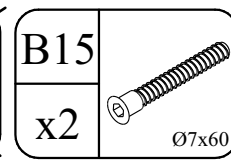
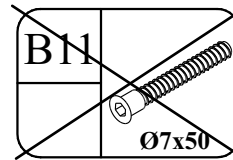
| | | | |
|----|---|------|---|
| S1 |  | UP13 |  |
| x2 | | x7 | UPØ3x16 |



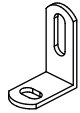
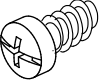
15

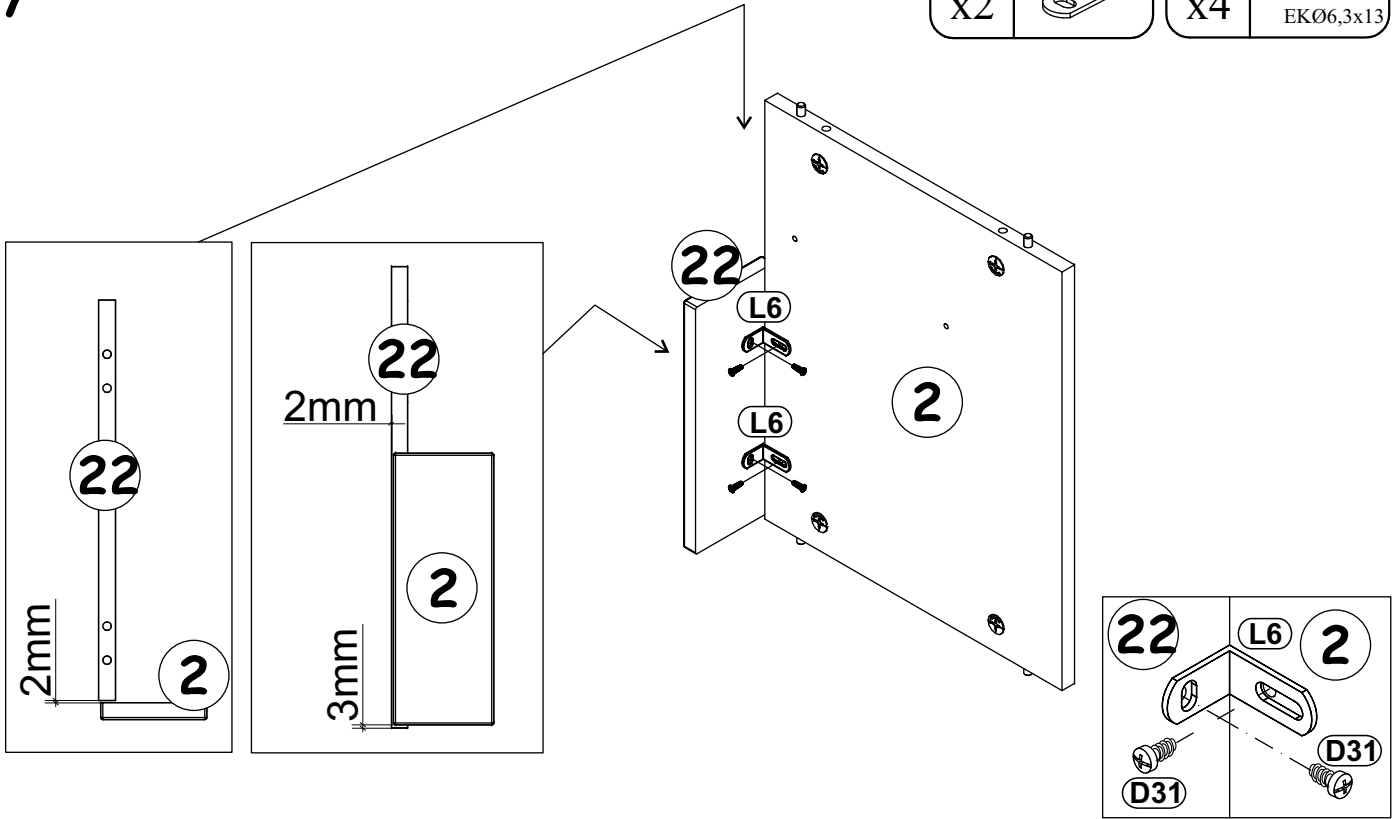


16

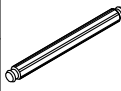



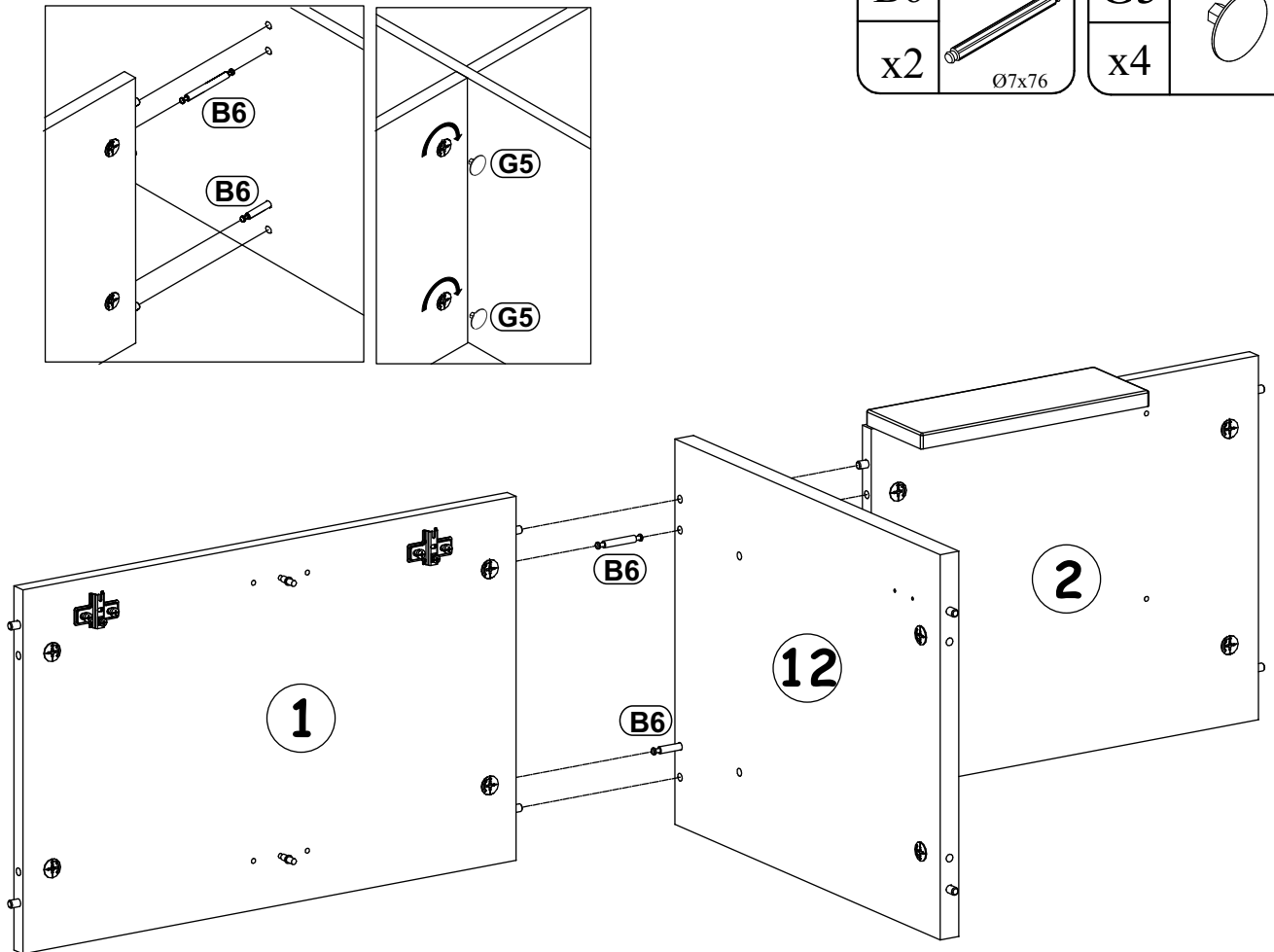
17

| | | | |
|----|--|-----|--|
| L6 |  | D31 |  |
| x2 | | x4 | EKØ6,3x13 |




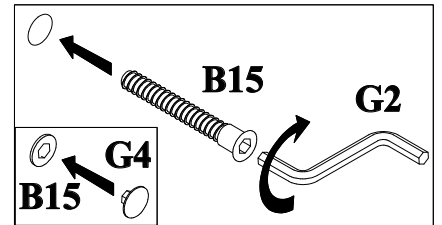
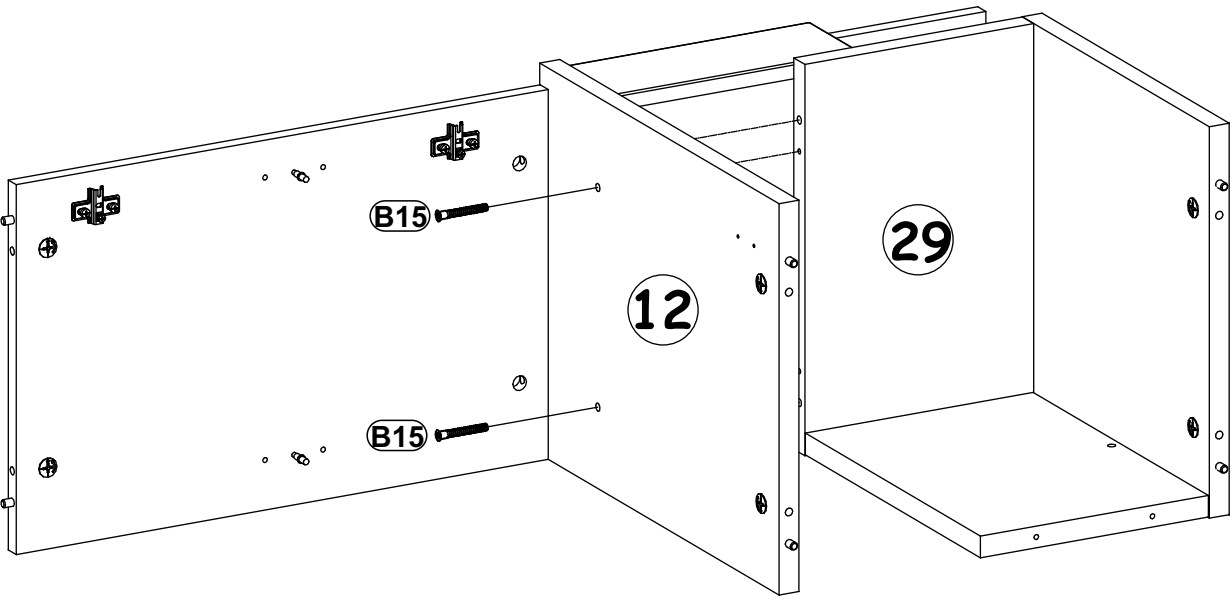
18

| | | | |
|----|---|----|---|
| B6 |  | G5 |  |
| x2 | Ø7x76 | x4 | |




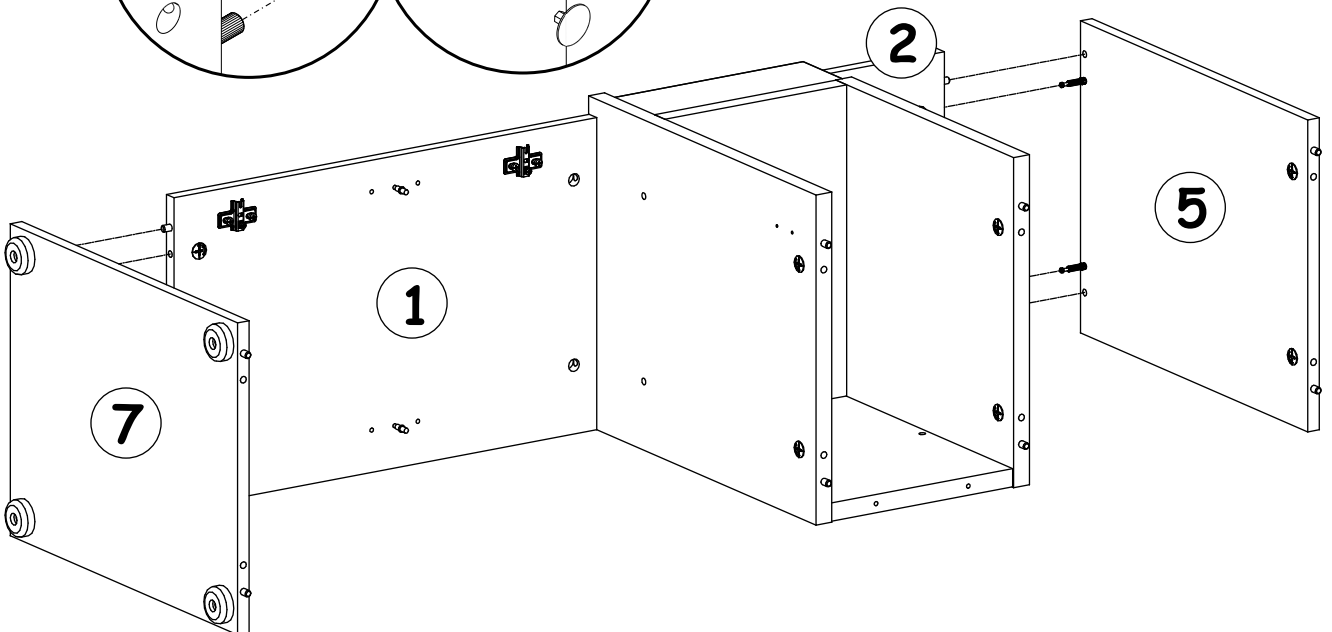
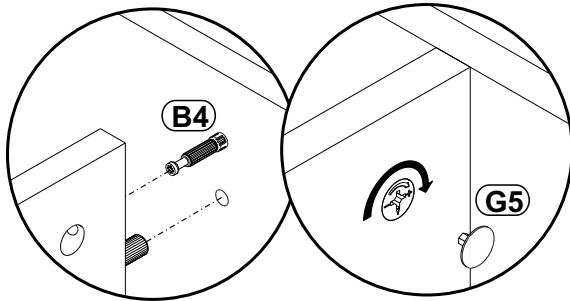
19

| | | | | | |
|----------------|------------------|-----|-------|----|---|
| B11 | Ø7x50 | B15 | Ø7x60 | G4 | |
| | | x2 | | x2 |  |





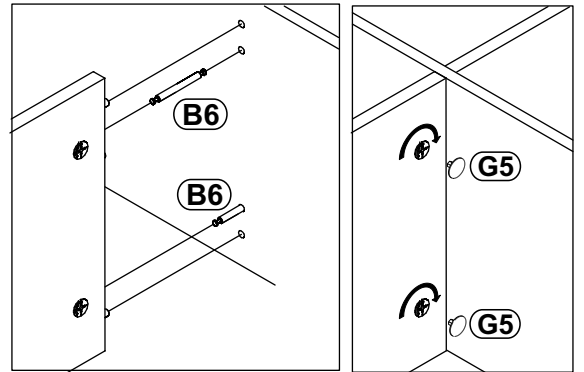
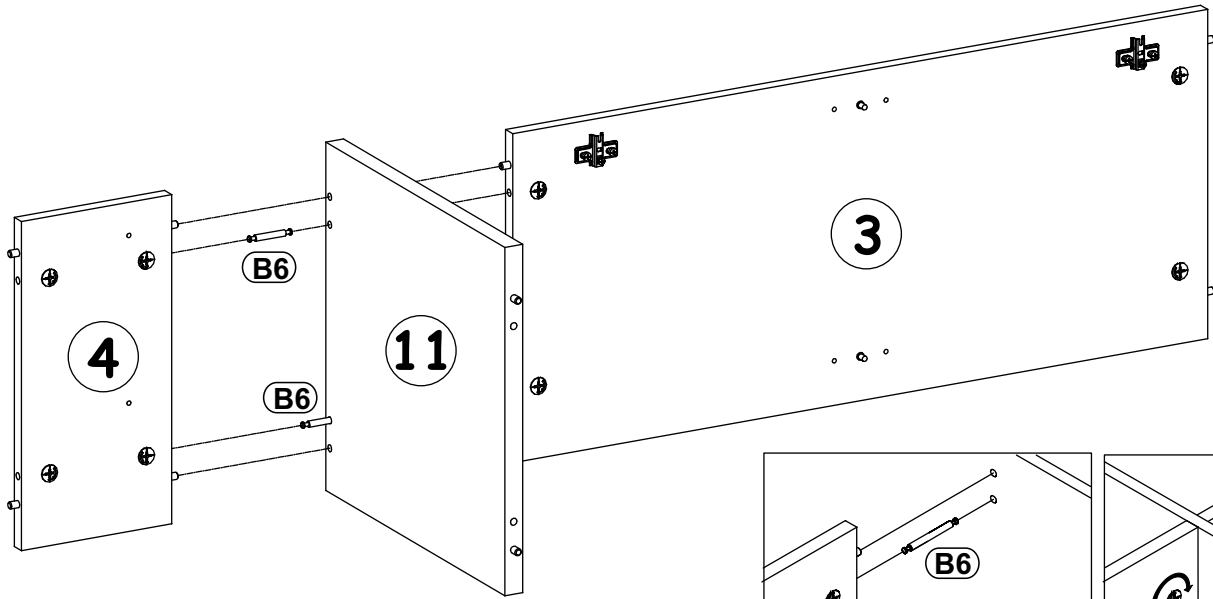
20

| | |
|----|---|
| G5 |  |
| x4 | |




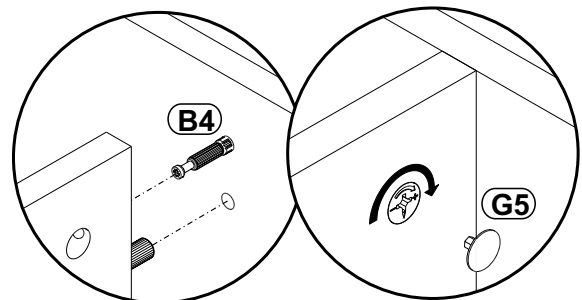
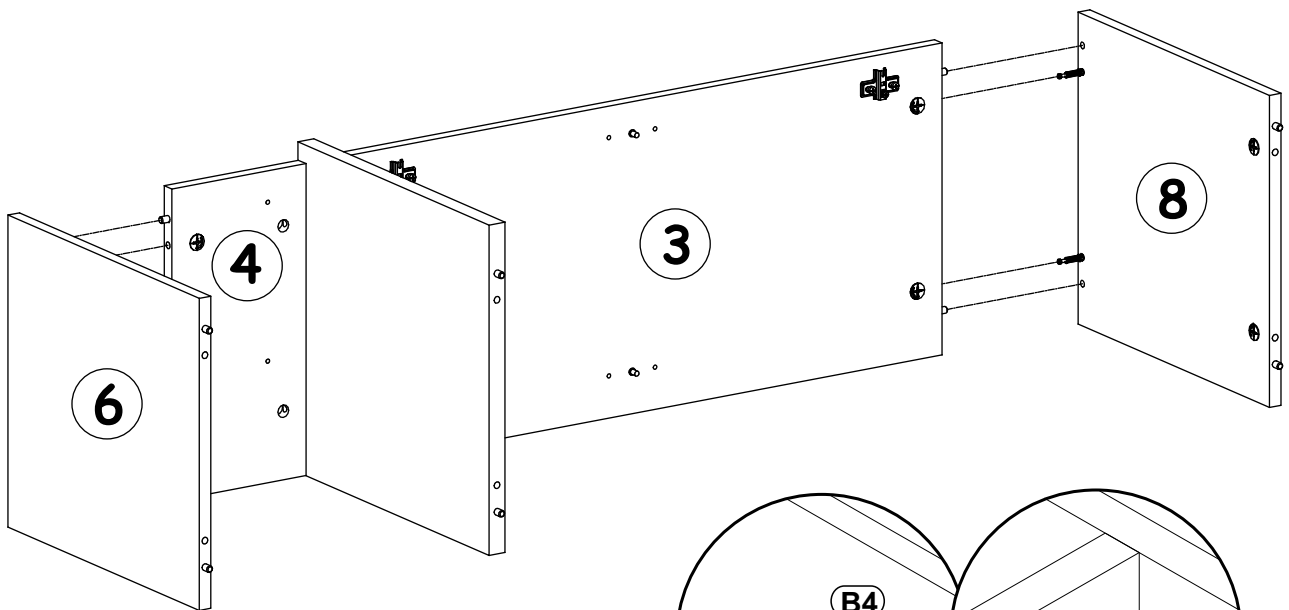
21

| | | | |
|----|---|-------|---|
| B6 |  | G5 |  |
| x2 | | Ø7x76 | |

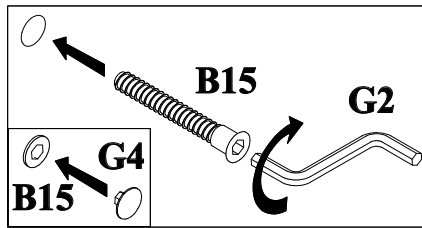
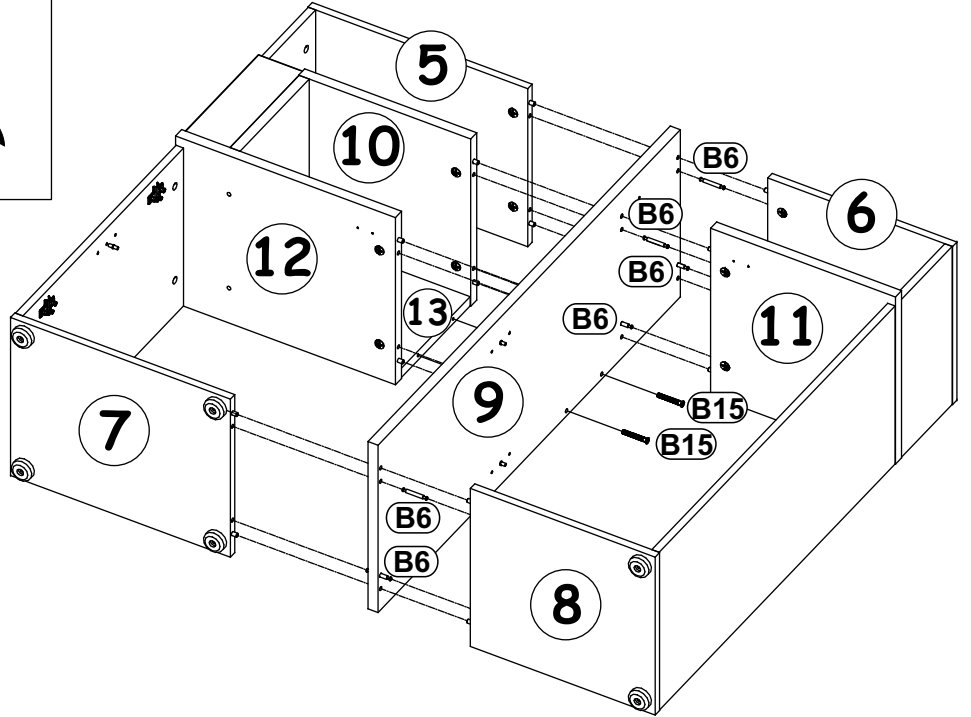
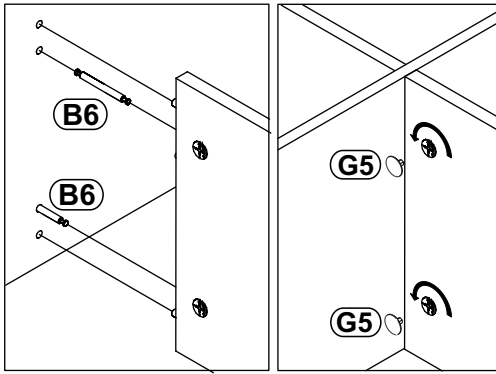
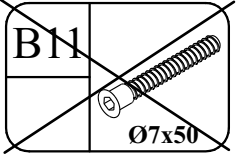
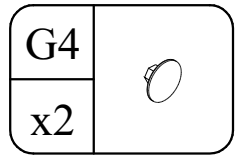
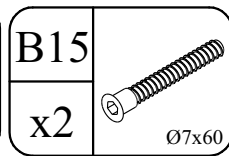
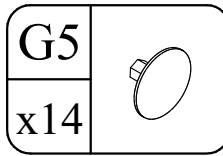
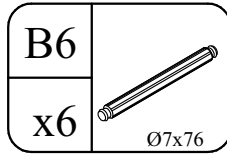


22

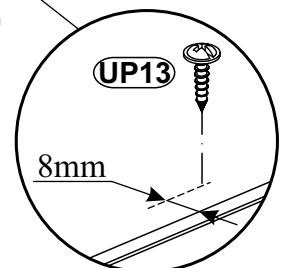
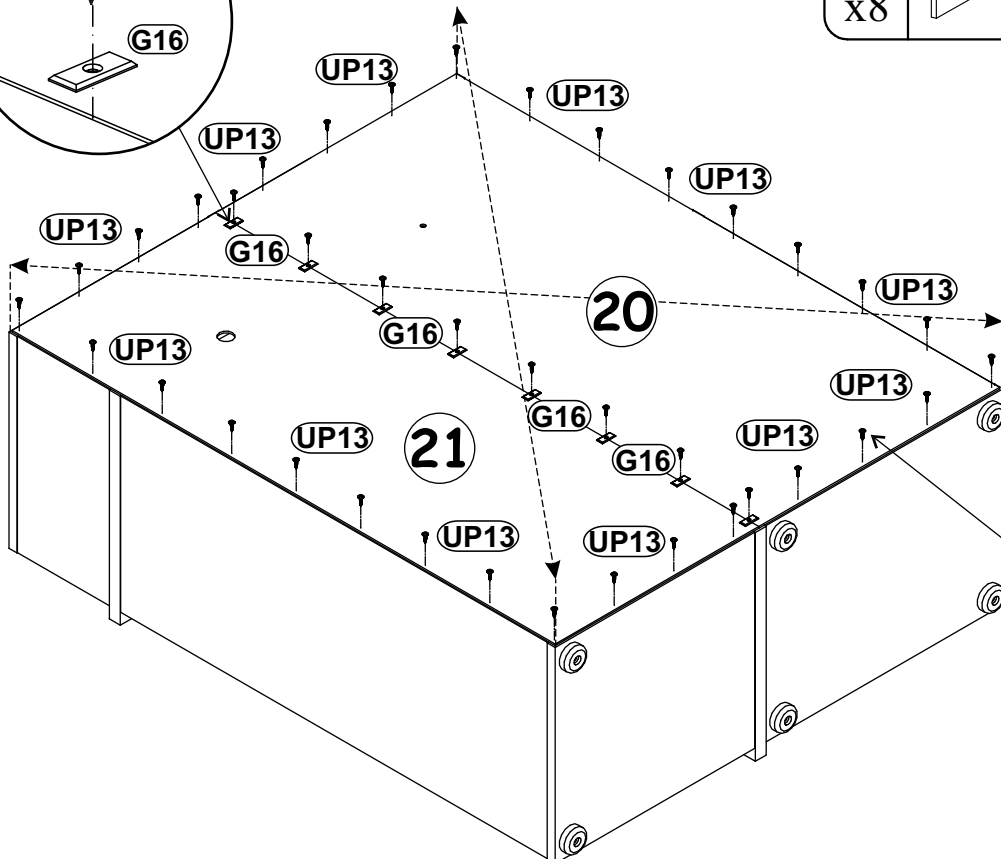
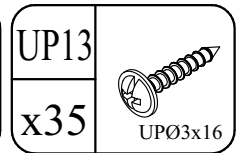
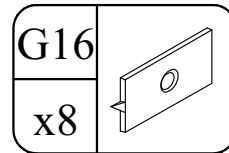
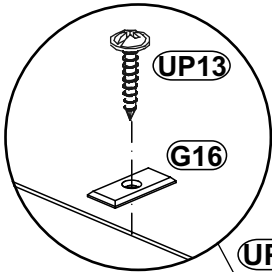
| | |
|----|---|
| G5 |  |
| x4 | |



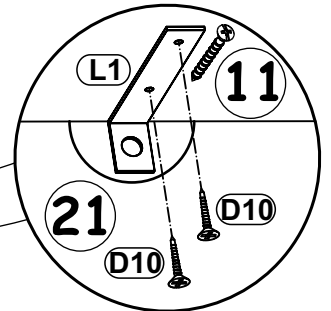
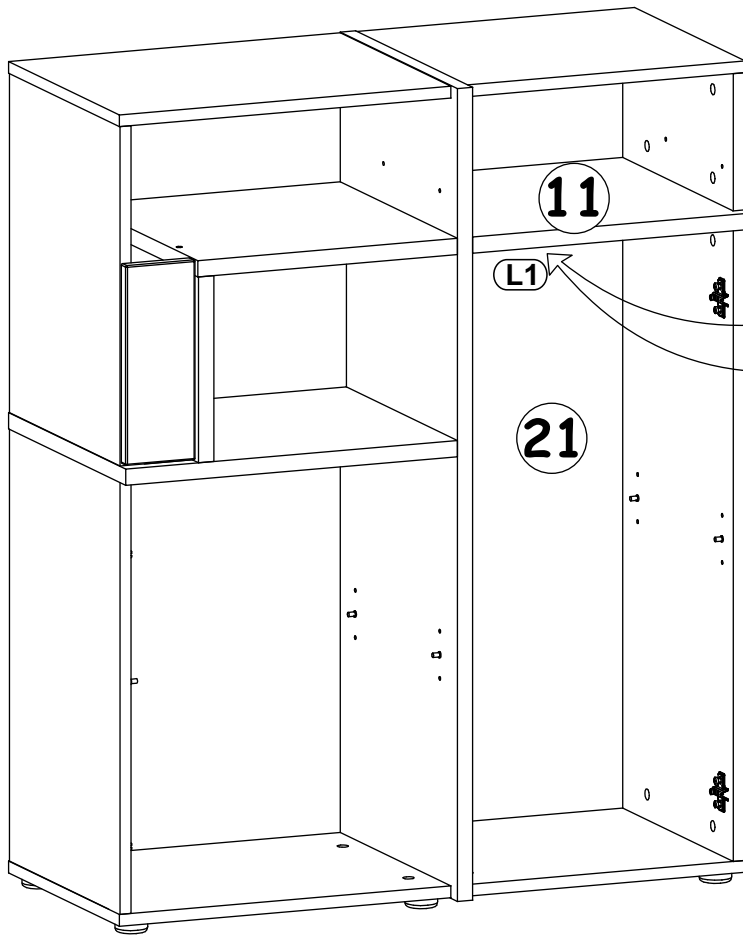
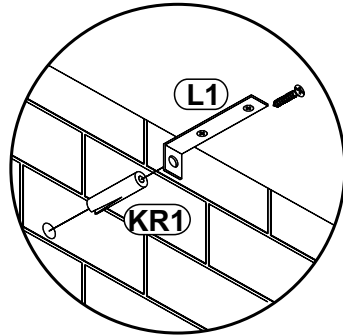
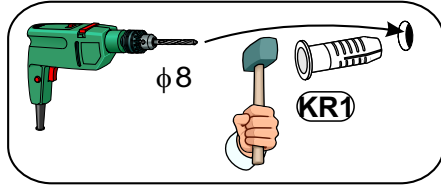
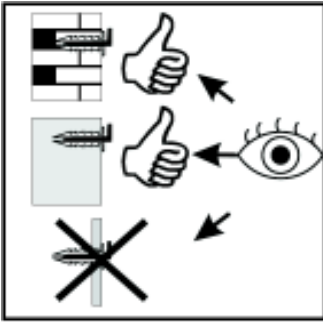
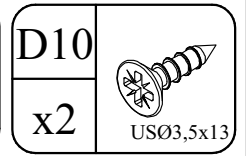
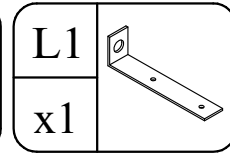
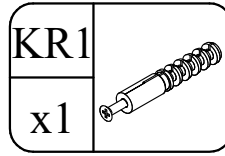
23

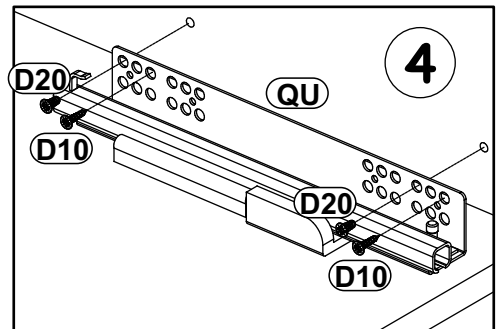
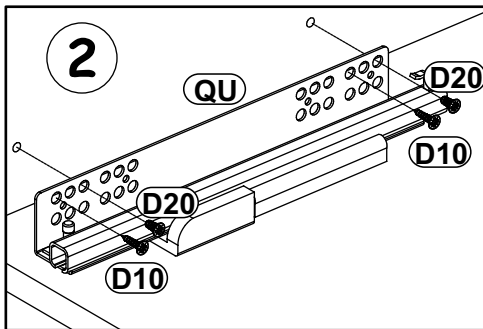
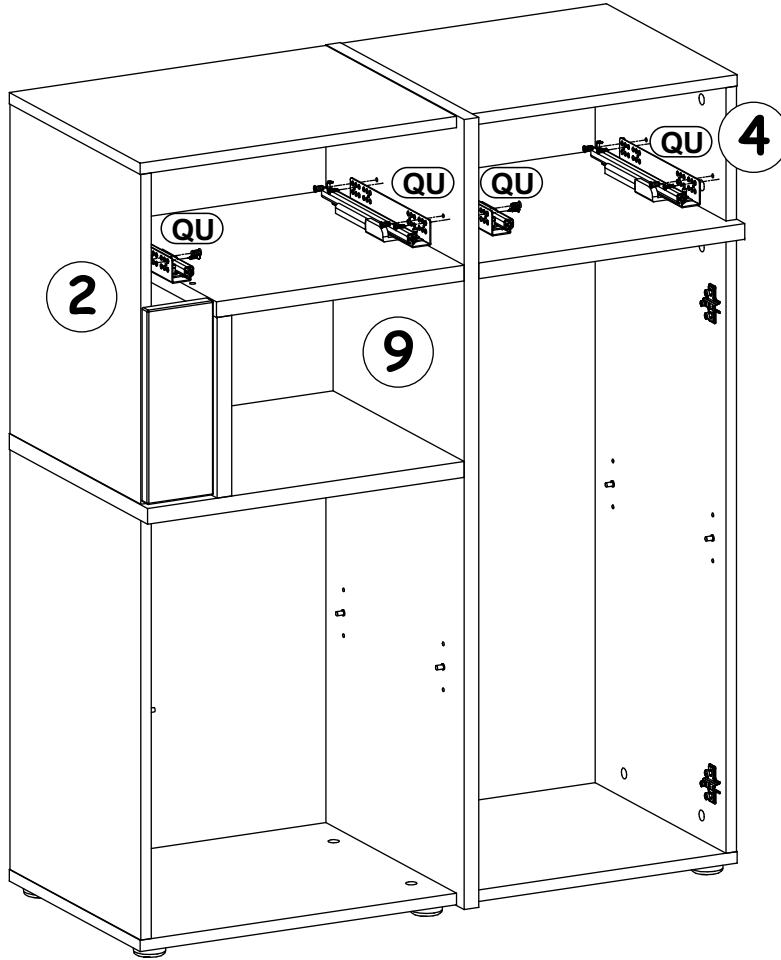
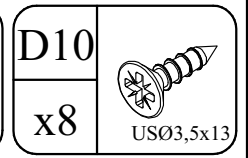
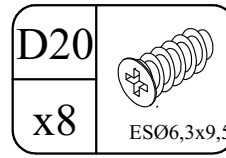
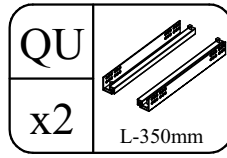


24

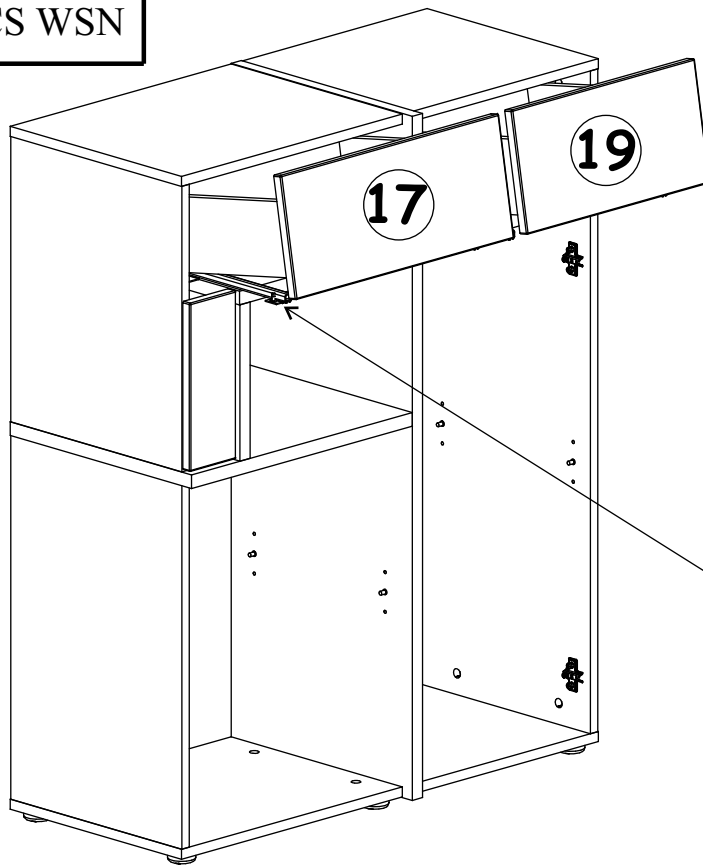


25

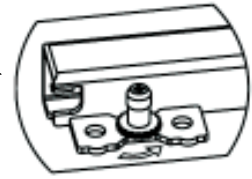
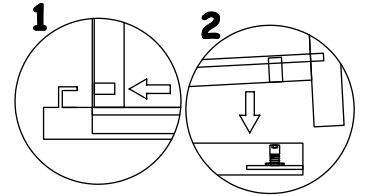




27



1 ↓
2 ←



↑ +4 mm

28

