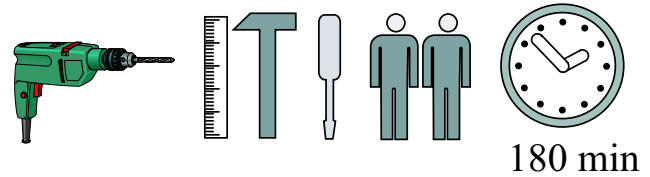
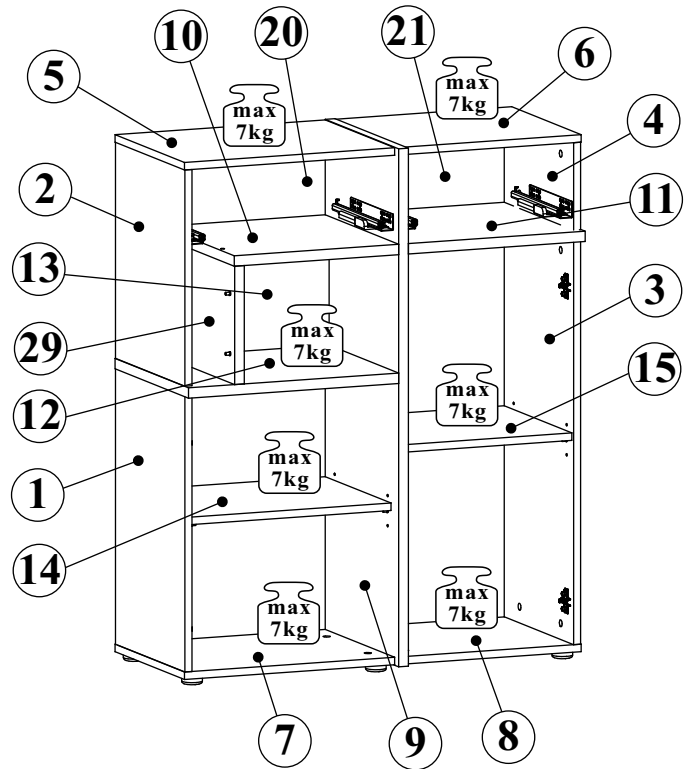
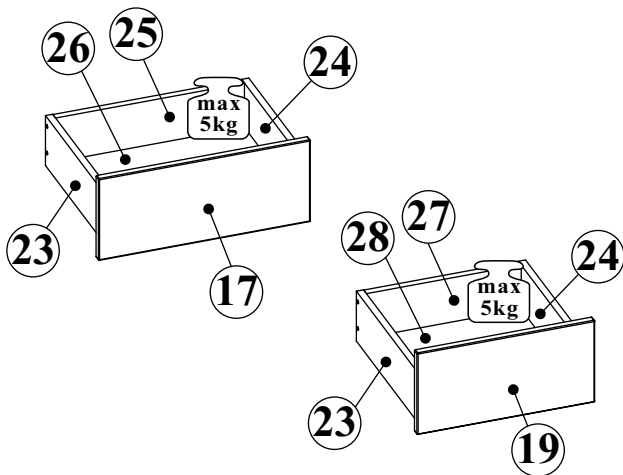
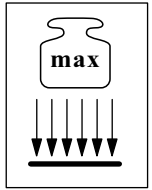
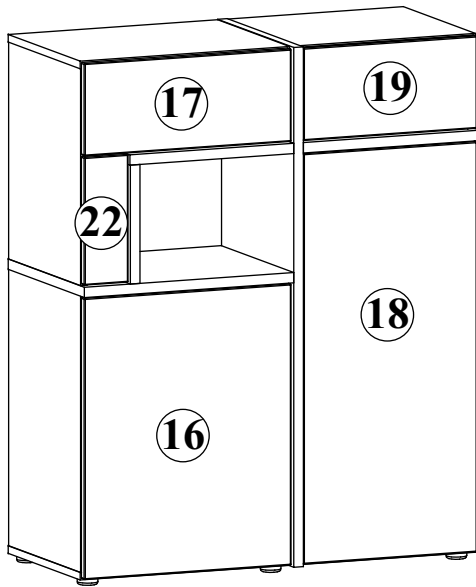


# CROSS 28 \*\* CS WSN



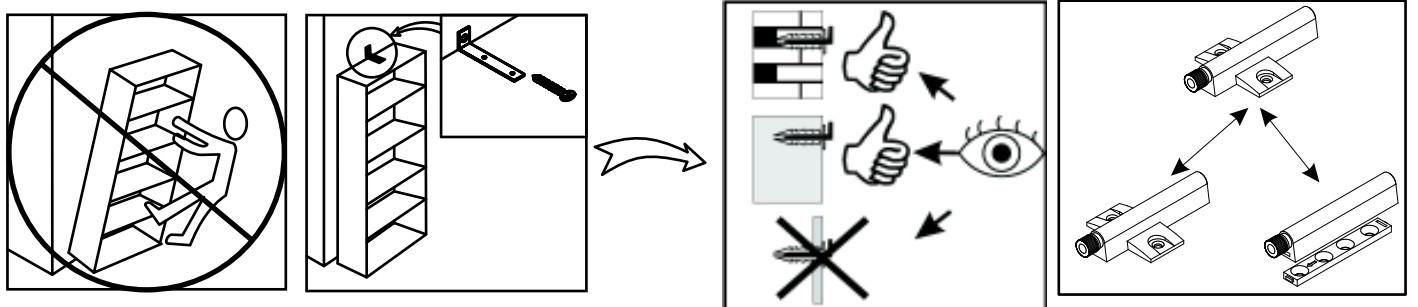
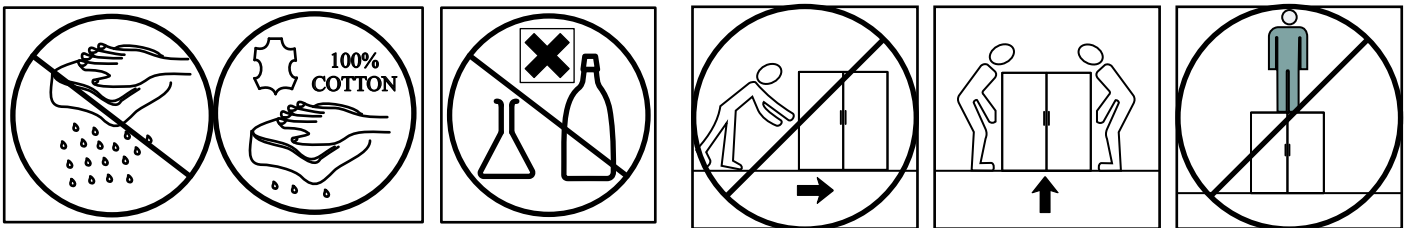
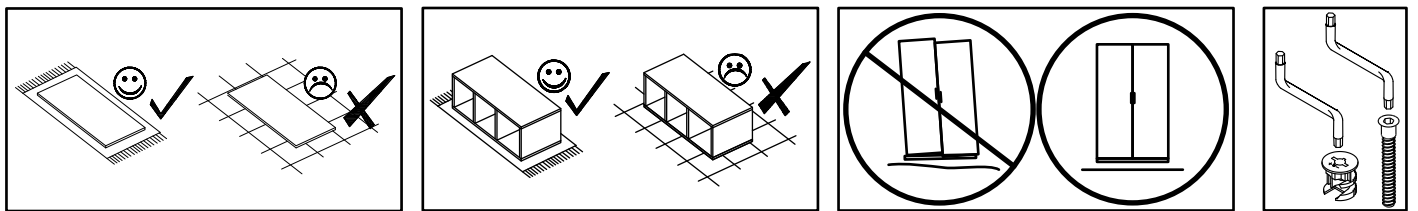
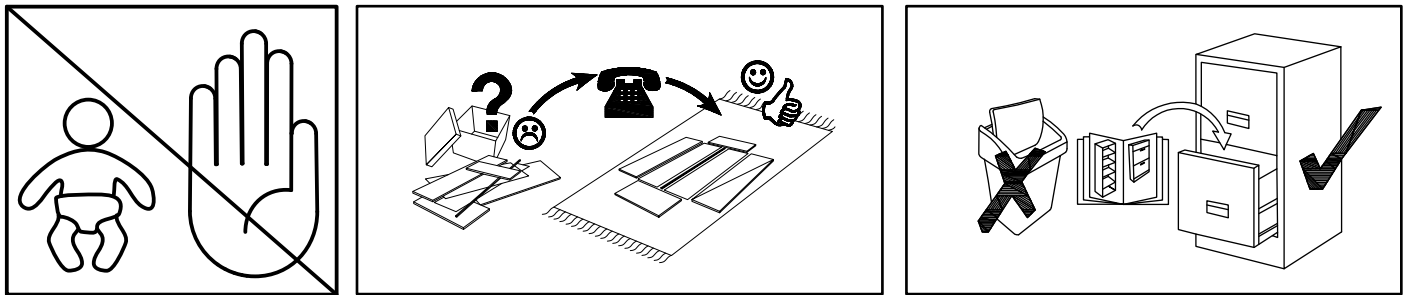
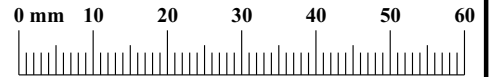
180 min

NO	Dim.		Col.-No	Qty	
1	586	377	16	2	1
2	460	377	16	2	1
3	860	377	16	2	1
4	186	377	16	2	1
5	478	377	16	2	1
6	402	377	16	2	1
7	478	377	16	2	1
8	402	377	16	2	1
9	1102	399	22	1	1
10	374	399	22	1	1
11	402	399	22	1	1
12	478	399	22	1	1
13	350	251	22	1	1
14	461	367	16	2	1
15	385	367	16	2	1

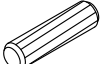
NO	Dim.		Col.-No	Qty	
16	596	472	16	1	1
17	196	472	16	1	1
18	870	396	16	1	1
19	196	396	16	1	1
20	1094	485	3	1	1
21	1094	410	3	1	1
22	271	100	16	1	1
23	350	120	16	2	2
24	350	120	16	2	2
25	421	106	16	2	1
26	354	433	3	2	1
27	345	106	16	2	1
28	354	357	3	2	1
29	252	399	22	1	1

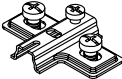
CROSS 28 \*\* CS WSN


A1 x42 ø8x36	B4 x14	B6 x10 Ø7x76	B5 x28 ø15x12	B16 x6 Ø15x16	G5 x34
E21 x4 Ø35 H=0	E2 x4 H=0	D10 x22 USØ3,5x13	QU x2 L-350mm	D20 x8 ESØ6,3x9,5	G7 x10
I11 x6 Ø45, h=15	UP15 x6 UPØ4x25	S1 x2	G16 x10	UP13 x42 UPØ3x16	T3/T5 x2
B11 x8 Ø7x50	B15 x8 Ø7x60	G4 x16	L6 x2	D31 x4 EKØ6,3x13	G2 x1
KR1 x1	L1 x1				

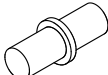


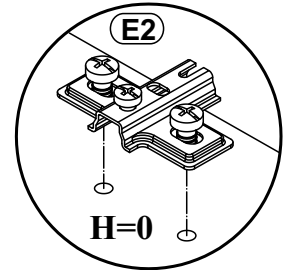
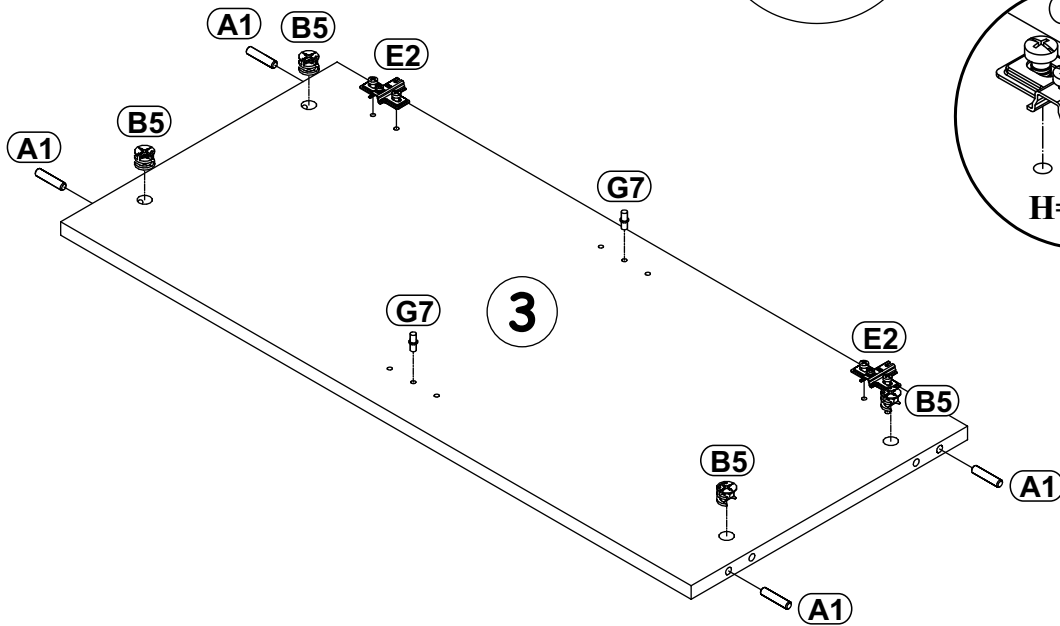
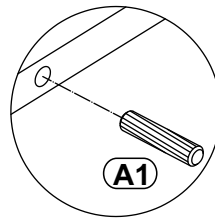
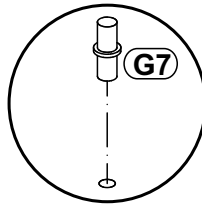
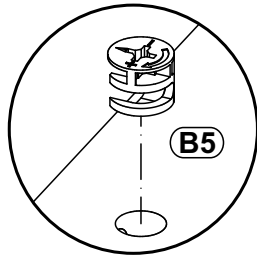
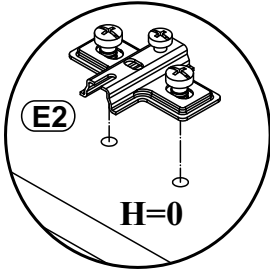
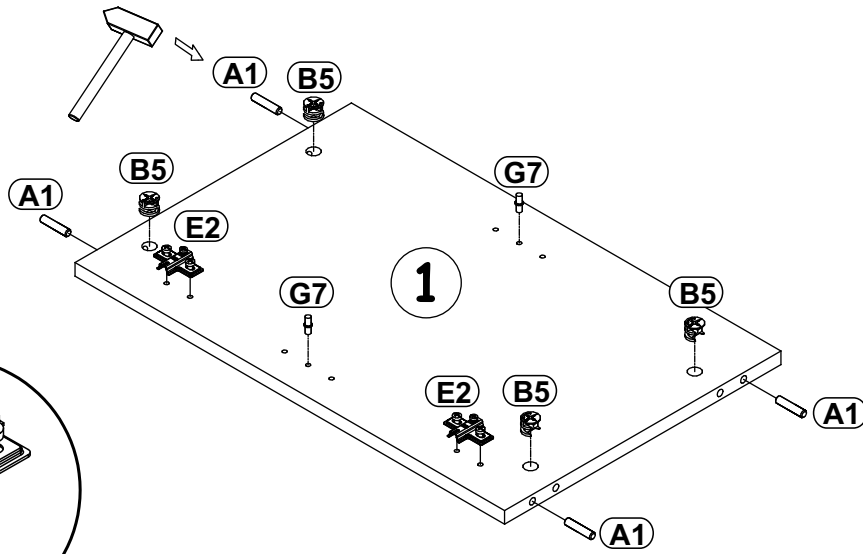
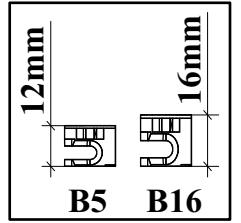
1

A1	
x8	ø8x36

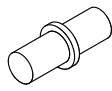
E2	
x4	H=0

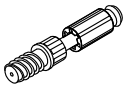
B5	
x8	ø15x12

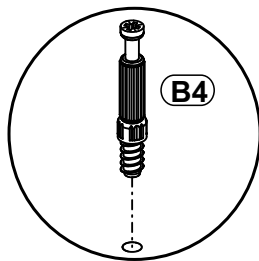
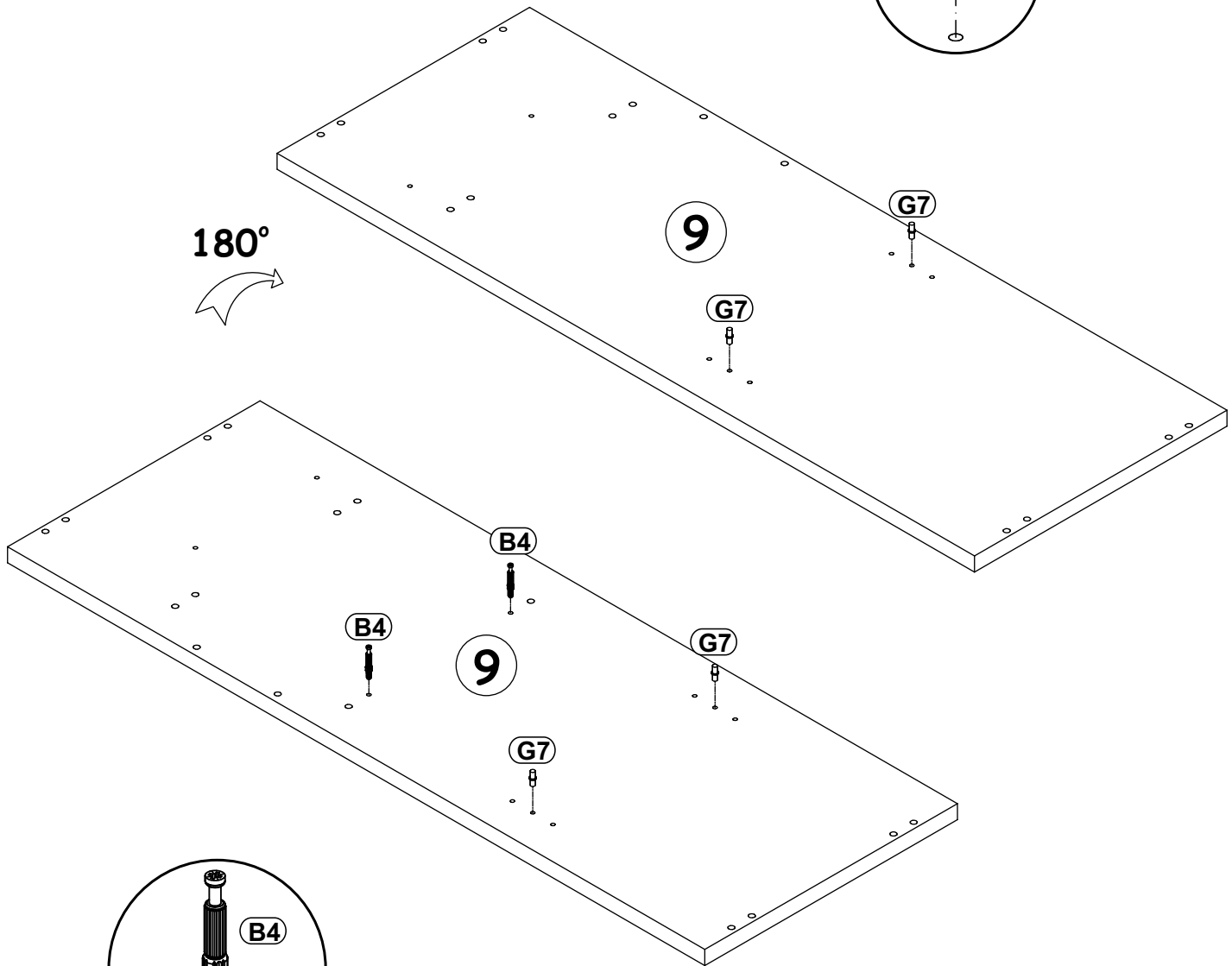
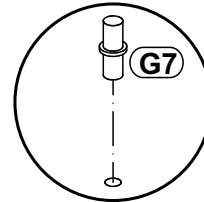
G7	
x4	



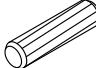
2


G7	
x4	

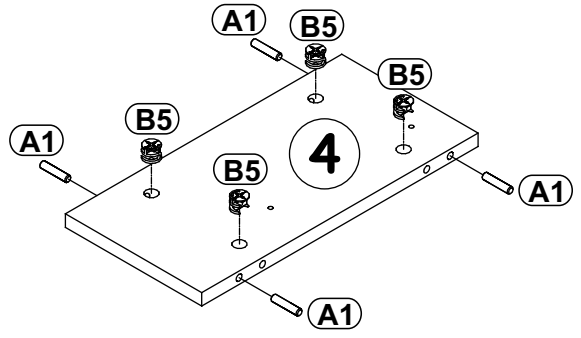
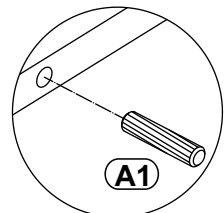
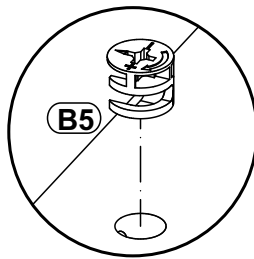
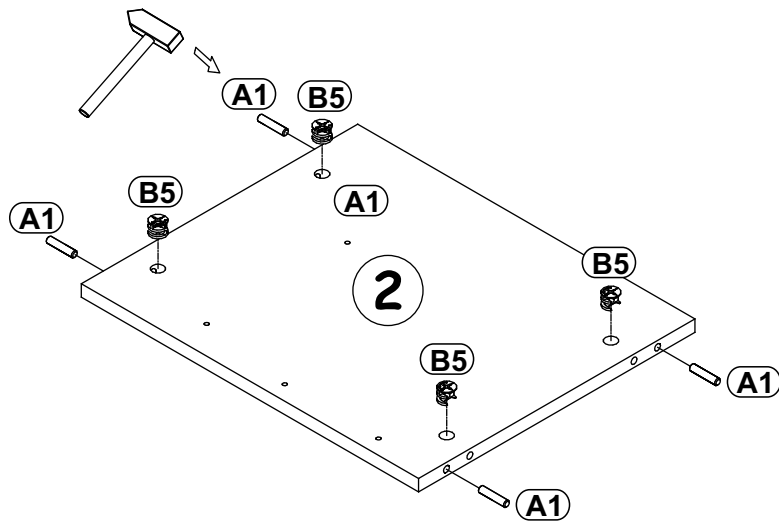
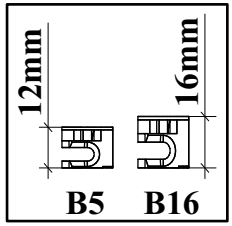
B4	
x2	



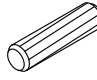
3

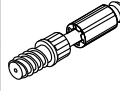
A1	
x8	ø8x36


B5	
x8	ø15x12

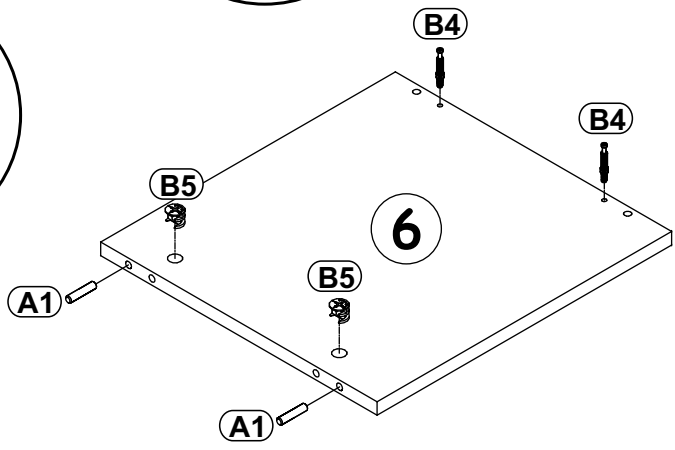
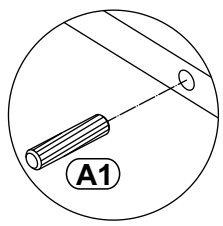
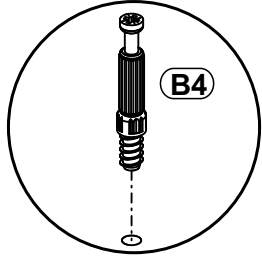
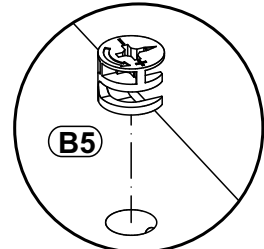
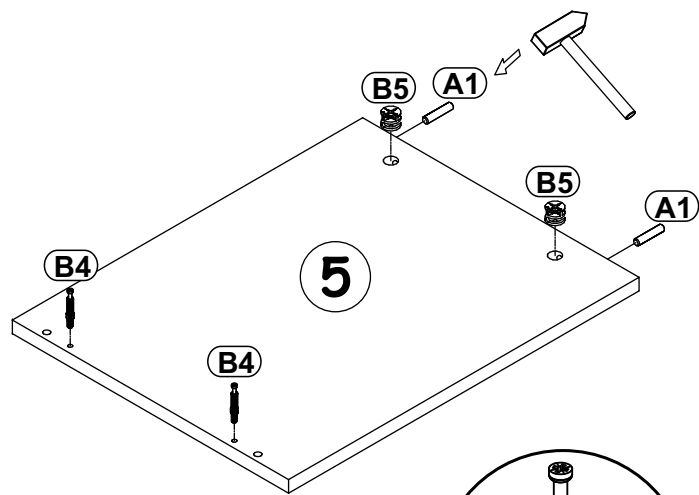


4

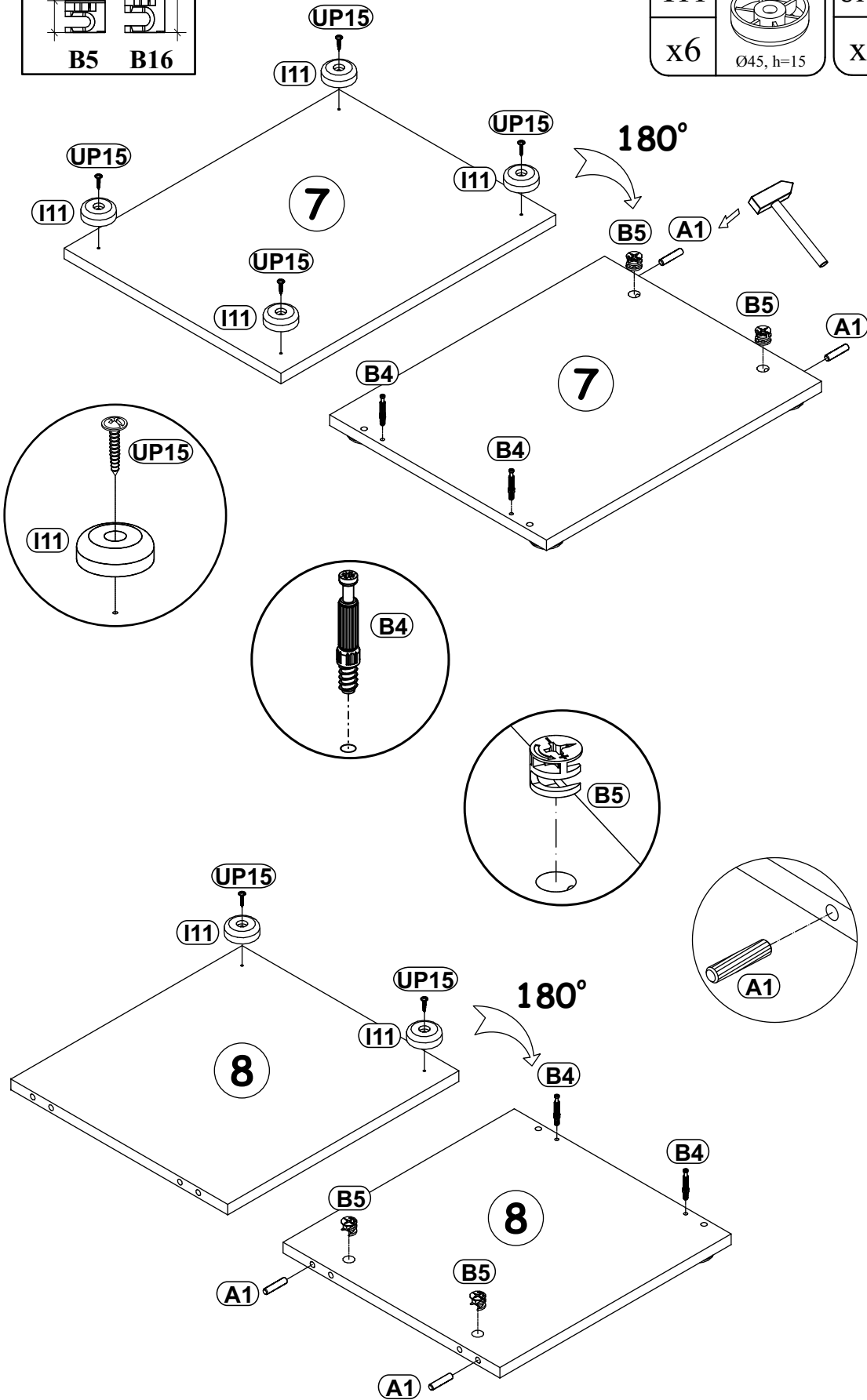
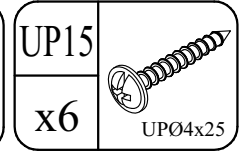
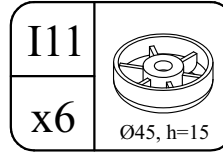
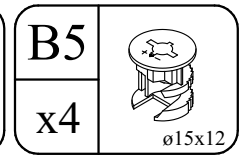
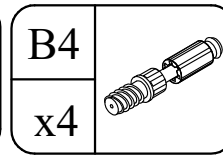
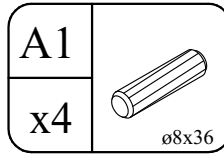
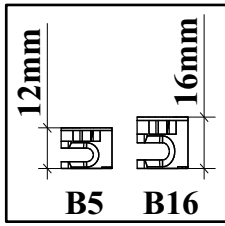
A1	
x4	ø8x36

B4	
x4	

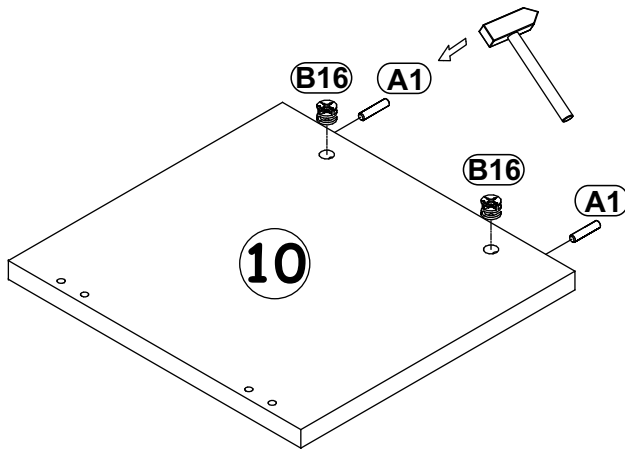
B5	
x4	ø15x12

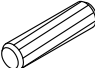


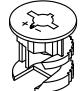
5





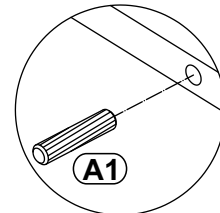
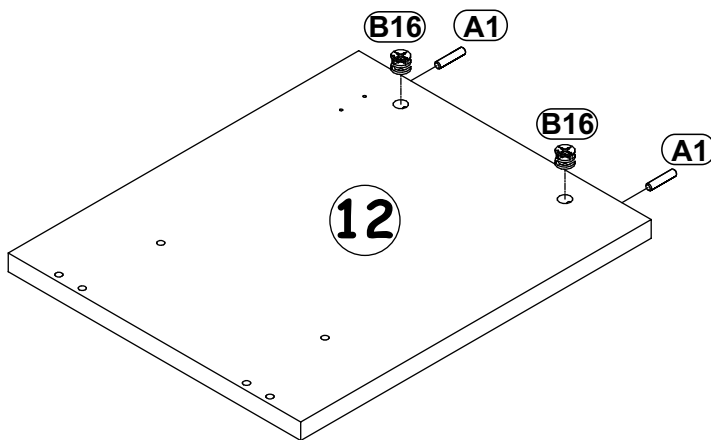
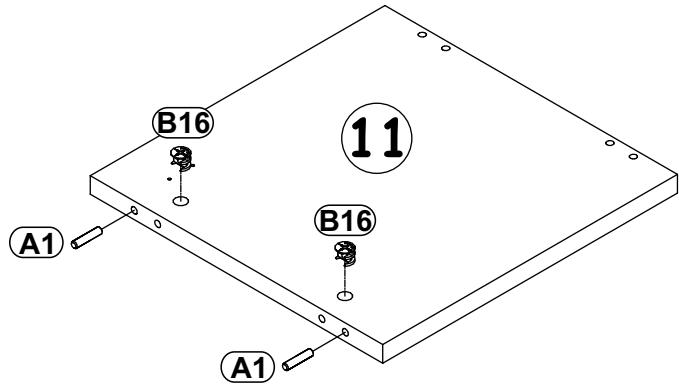
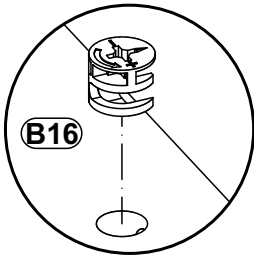
6



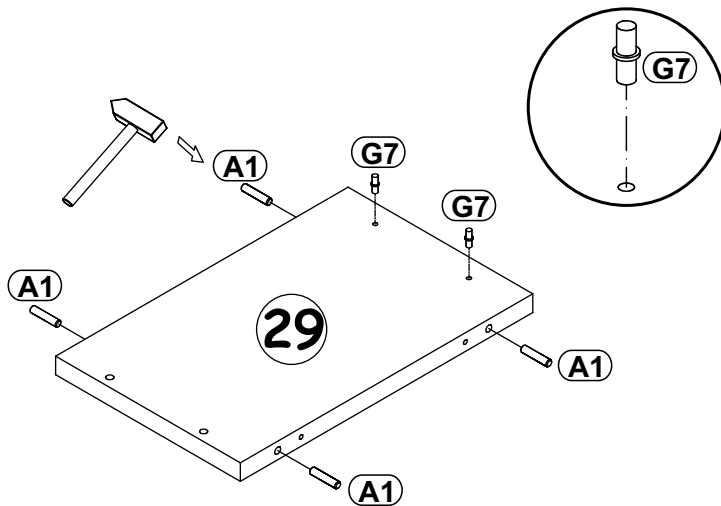
A1	
x6	ø8x36

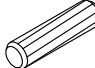
B16	
x6	Ø15x16

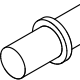
12mm		16mm	
	B5		B16

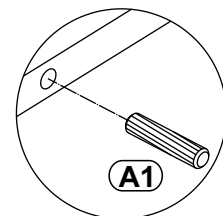
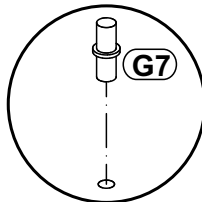


7

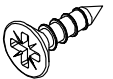


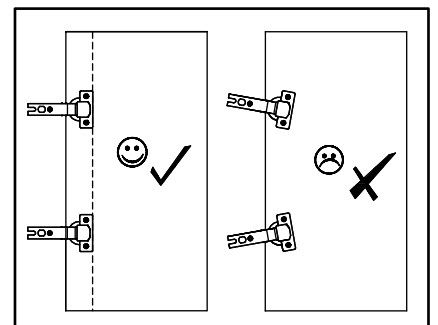
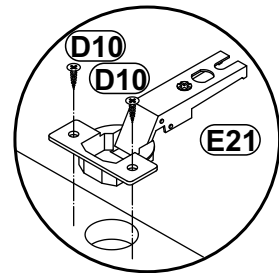
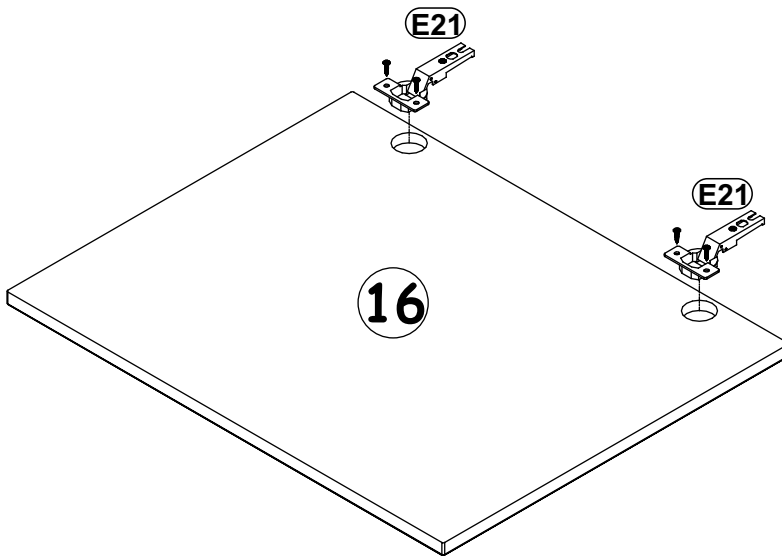
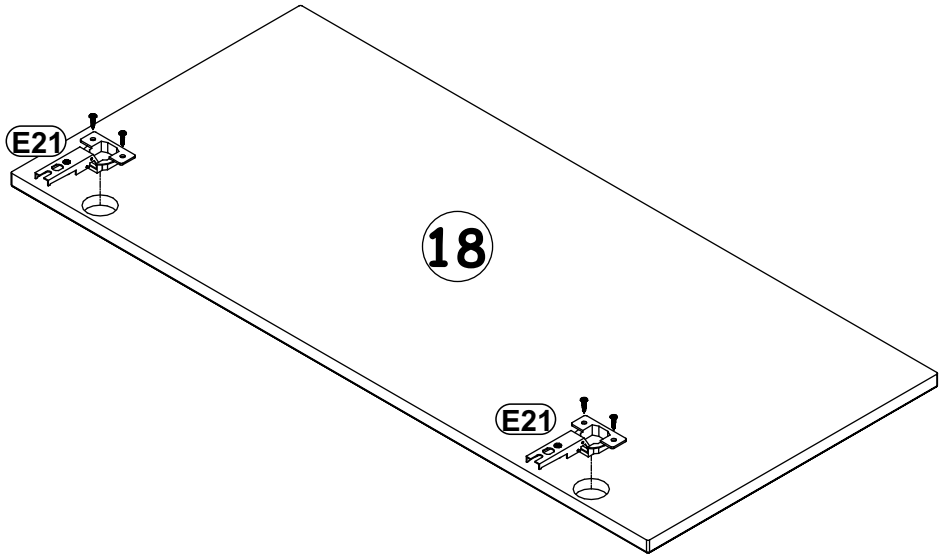
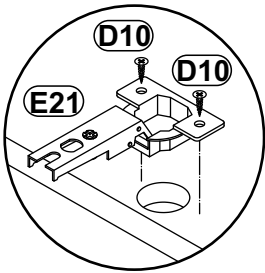
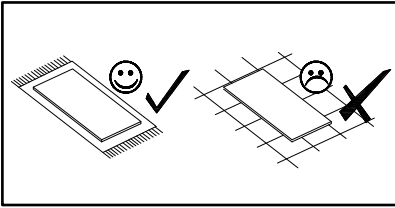
A1	
x4	ø8x36

G7	
x4	



8

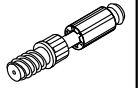
E21	Ø35	D10	 USØ3,5x13
x4	H=0	x8	



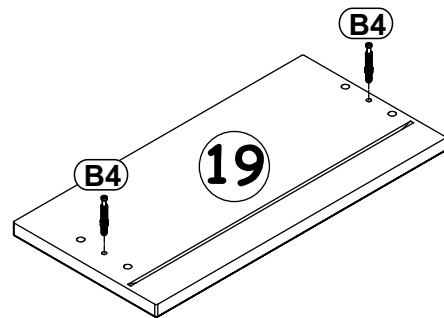
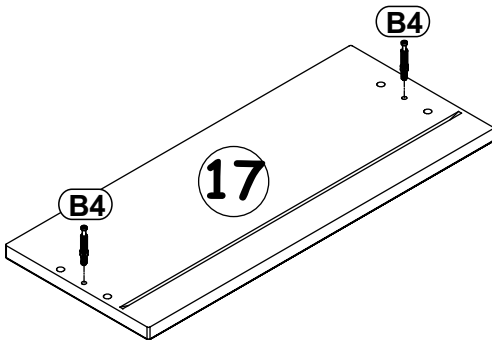
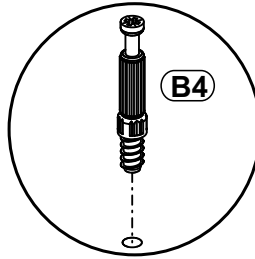
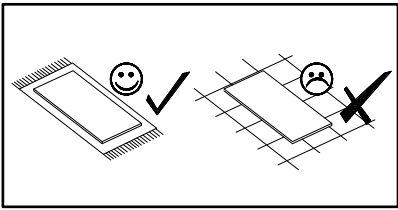


B4

x4



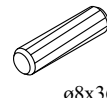
9



10

A1

x8



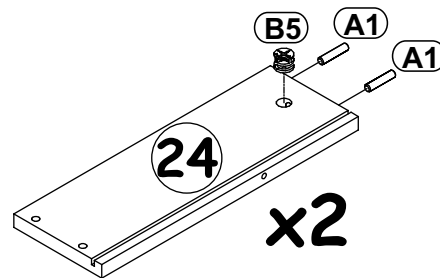
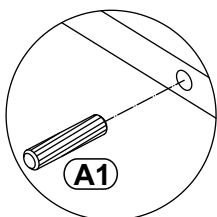
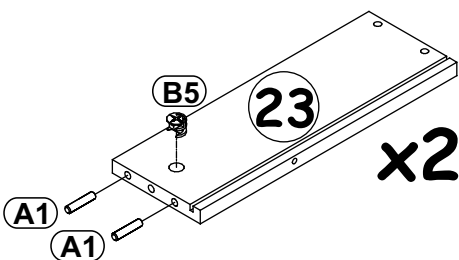
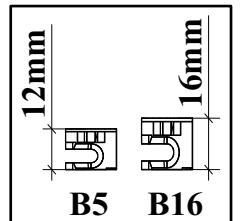
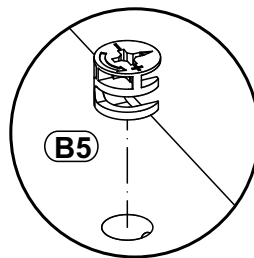
ø8x36

B5

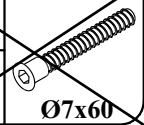


x4

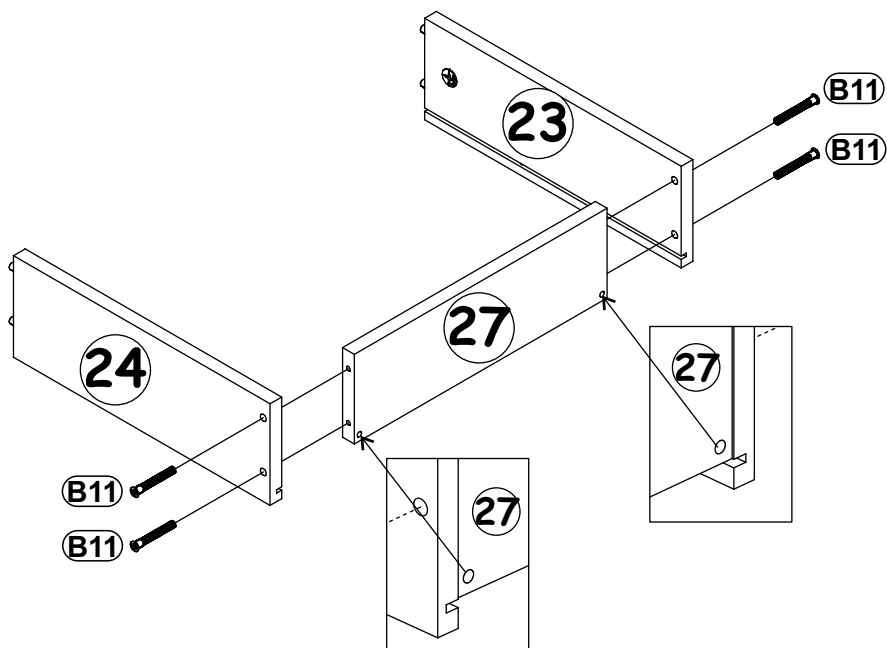
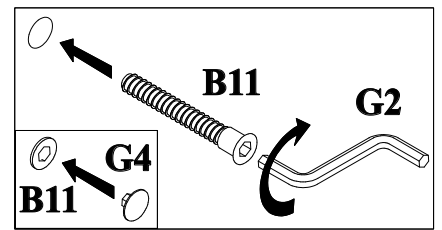
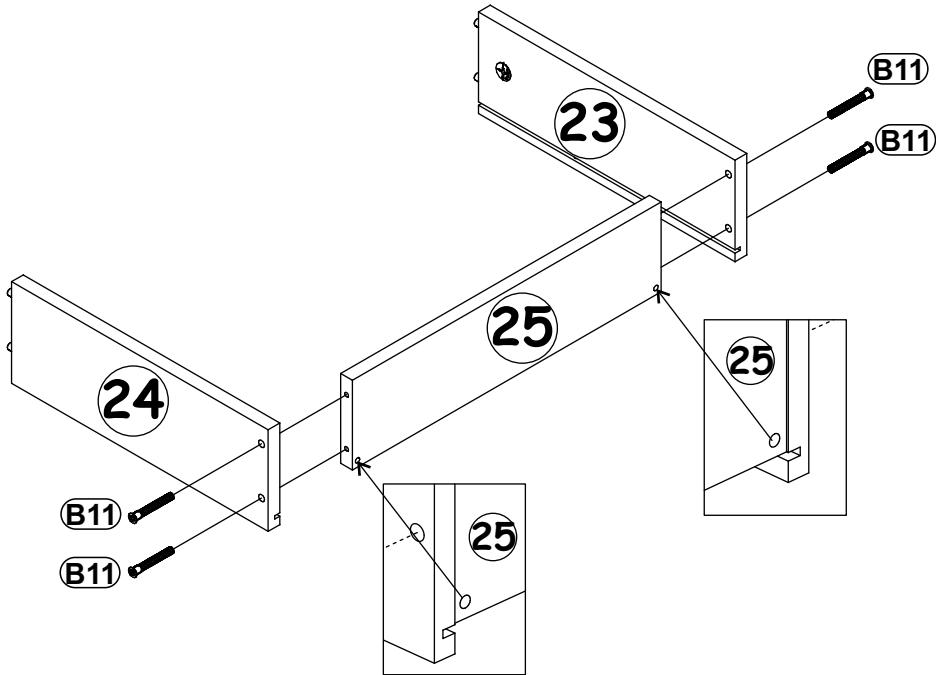



ø15x12



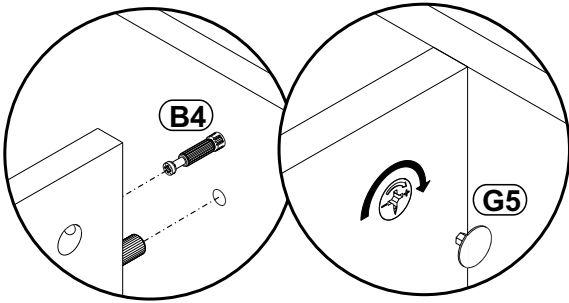
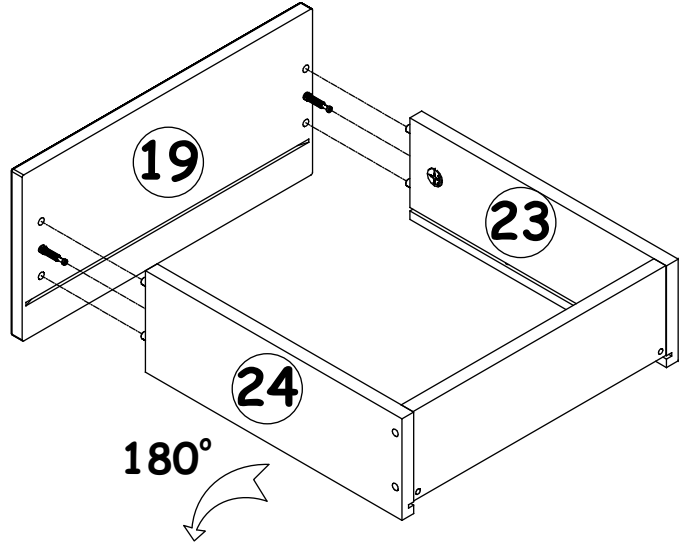
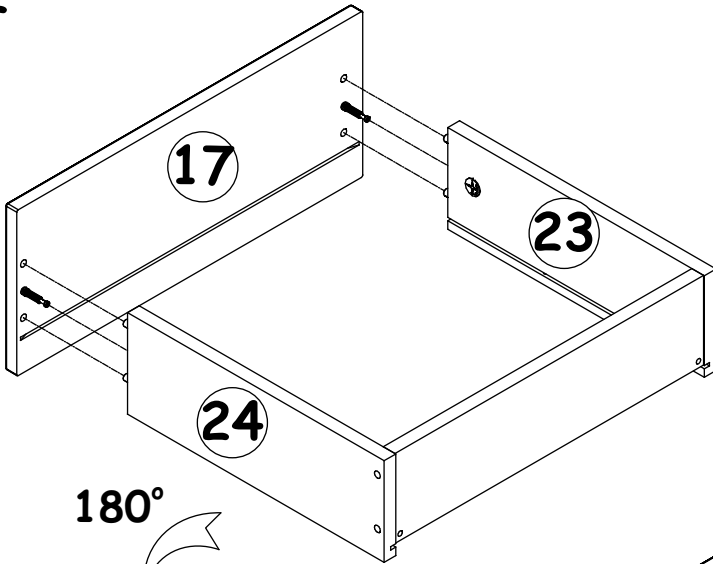
11

<del>B15</del>	<del></del>	B11		G4	
	<del>Ø7x60</del>	x8	Ø7x50	x8	

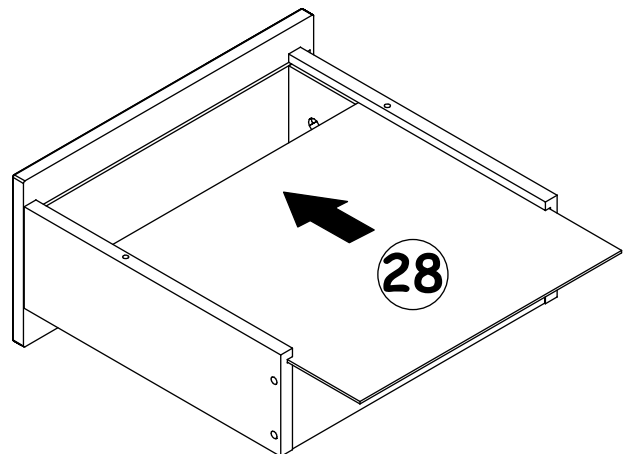
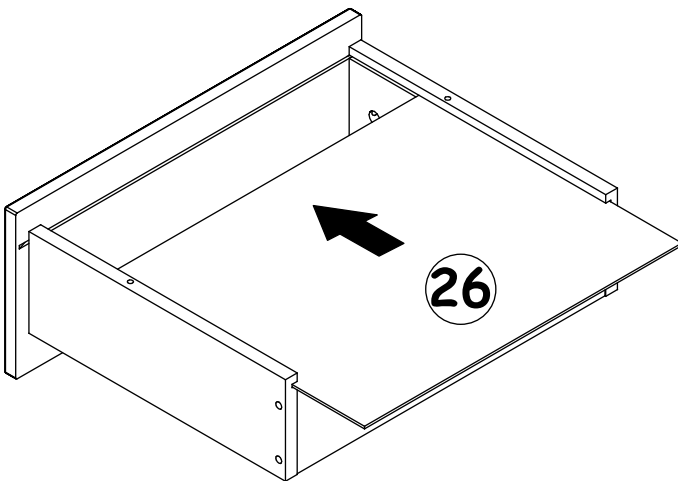


G5	
x4	

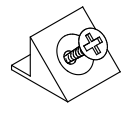

12

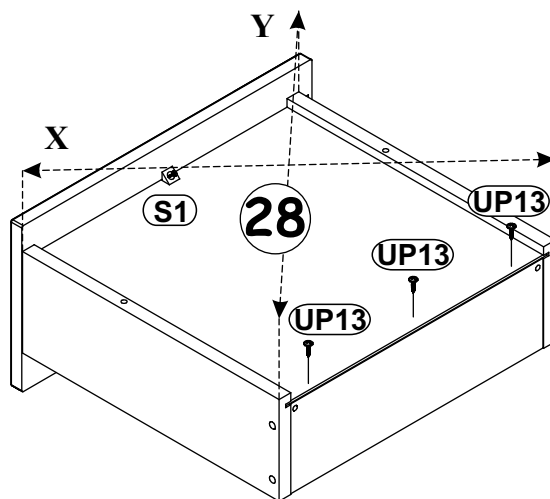
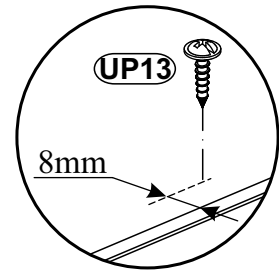
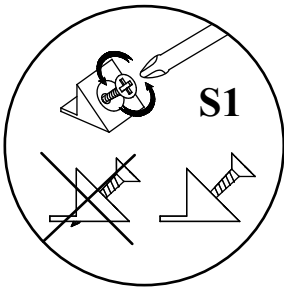
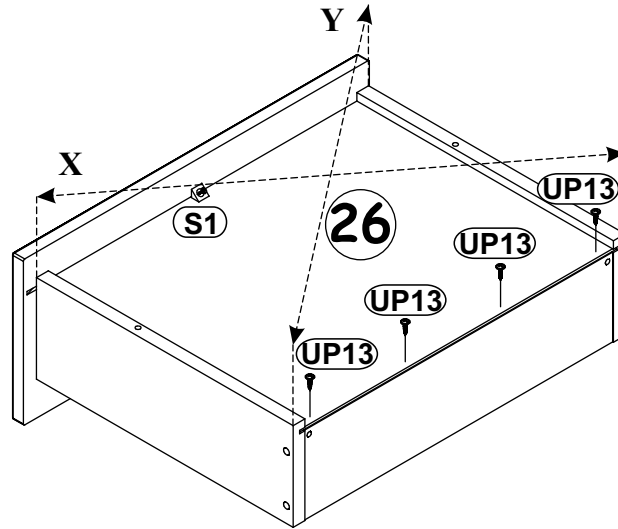
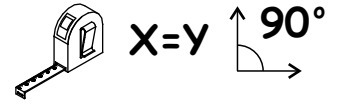


13

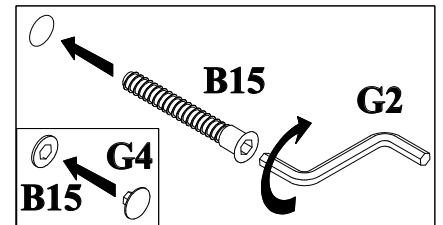
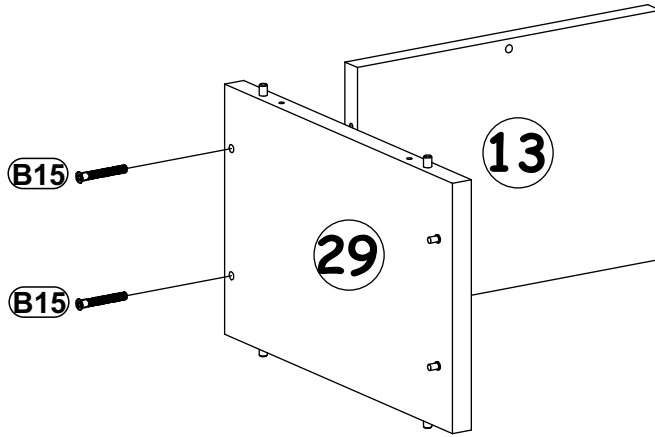
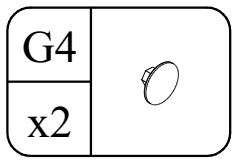
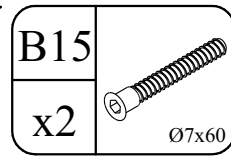
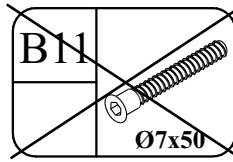


14

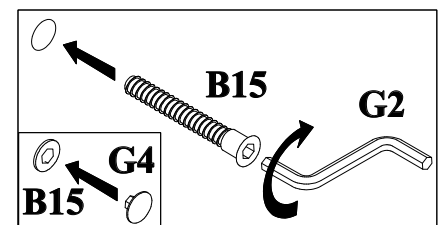
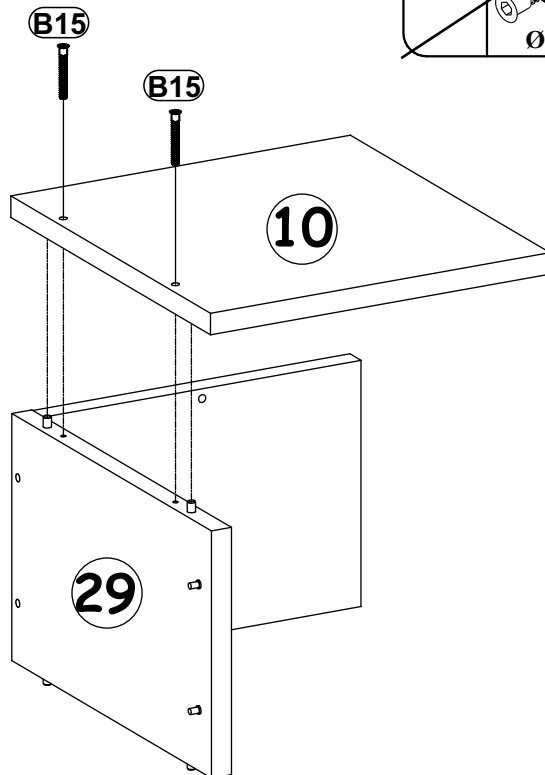
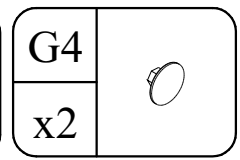
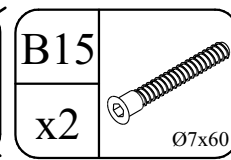
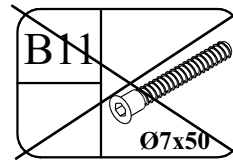
S1		UP13	
x2		x7	UPØ3x16



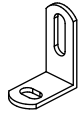
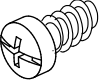
15

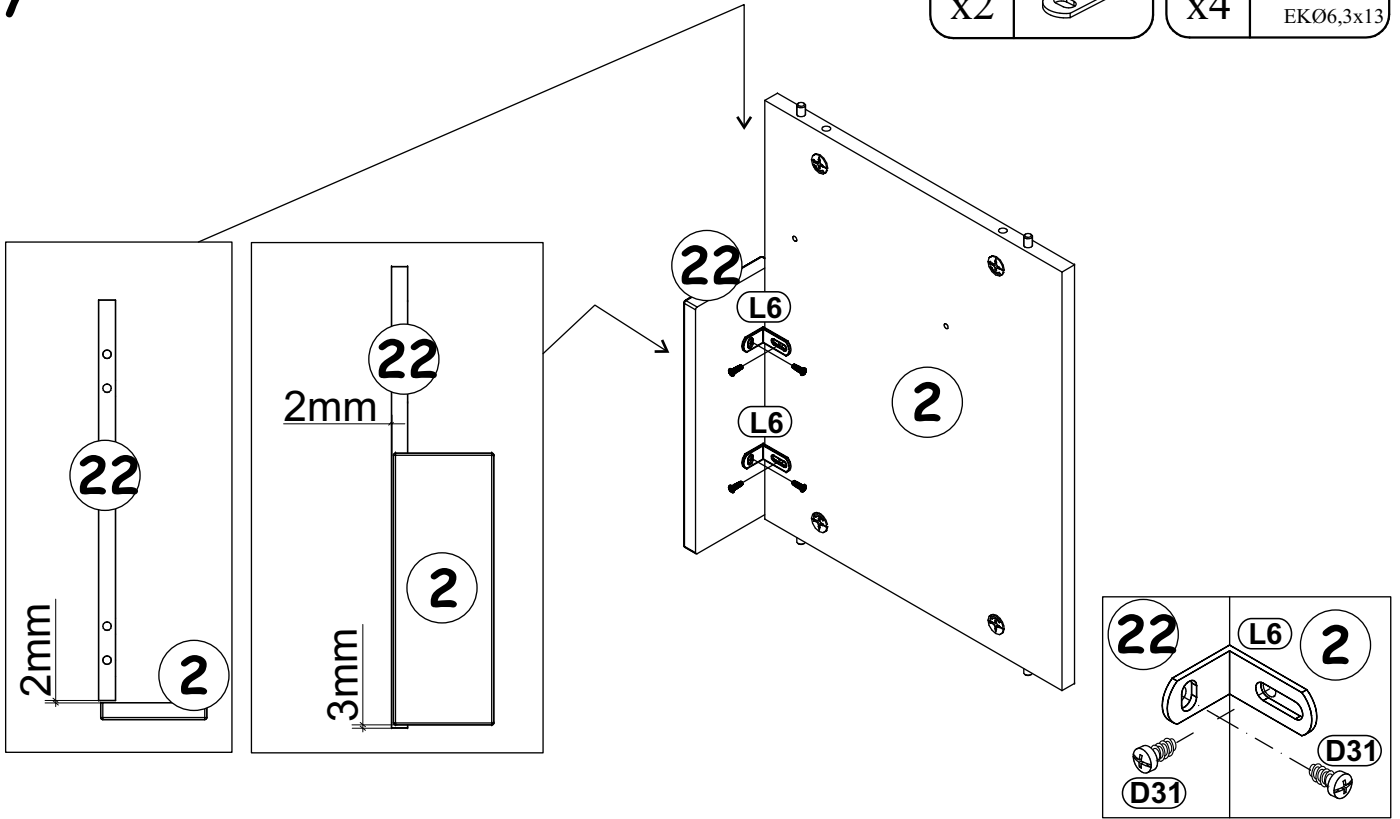


16

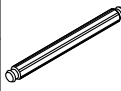



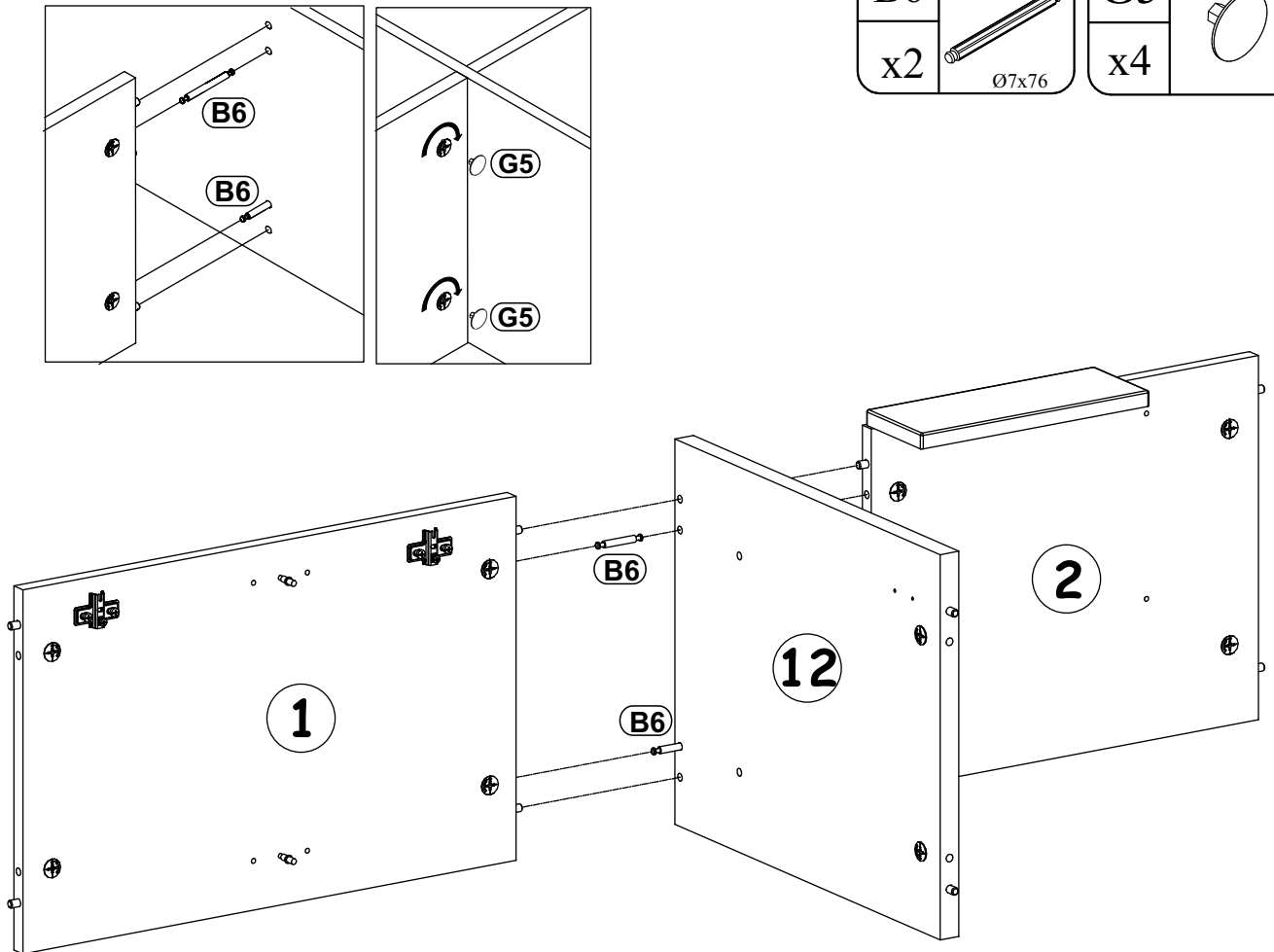
17

L6		D31	
x2		x4	EKØ6,3x13




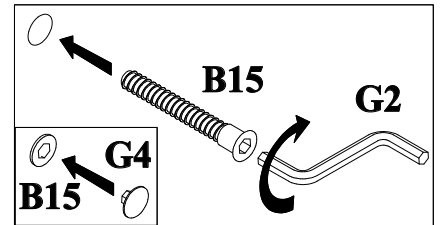
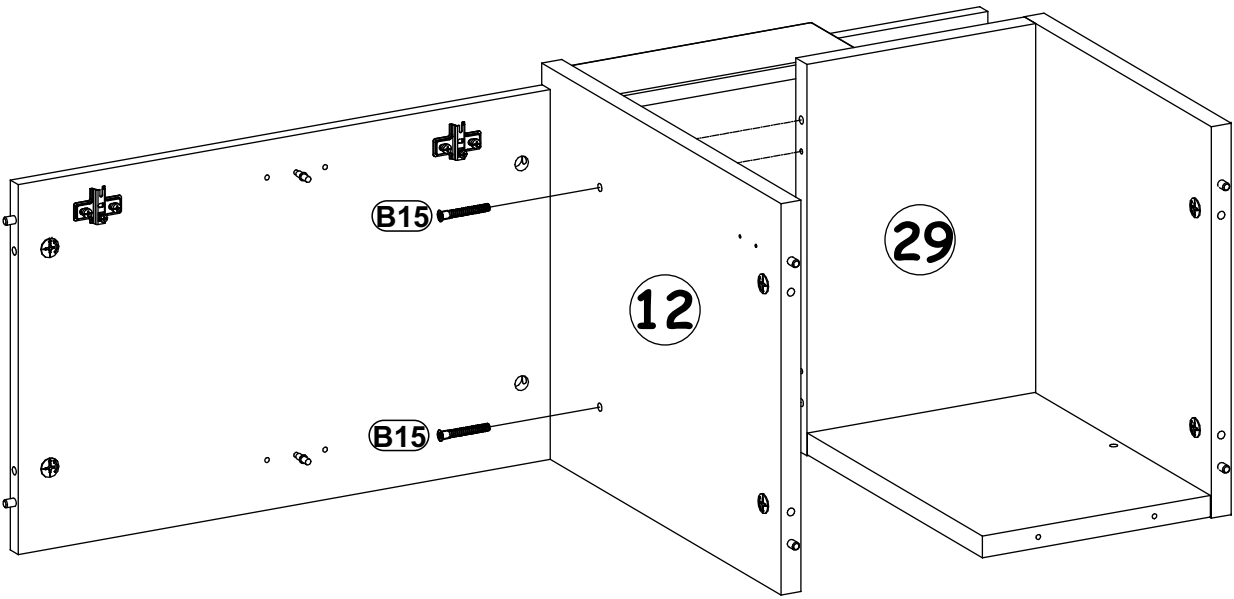
18

B6		G5	
x2	Ø7x76	x4	




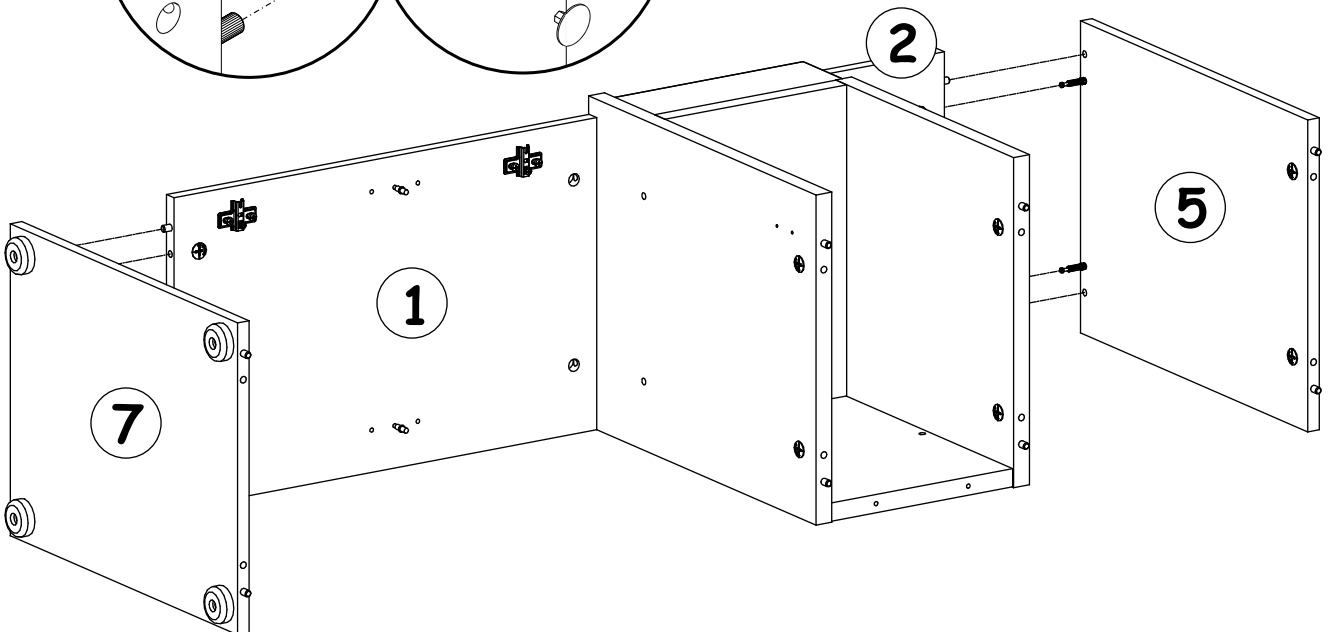
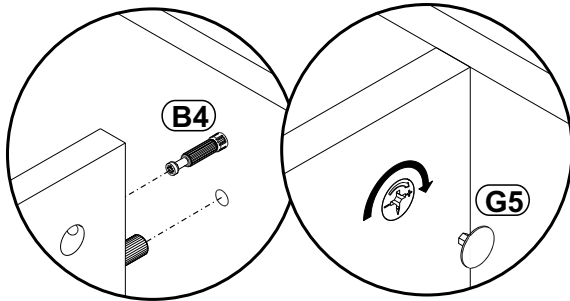
19

<del>B11</del>	<del>Ø7x50</del>	B15	Ø7x60	G4	
		x2		x2	





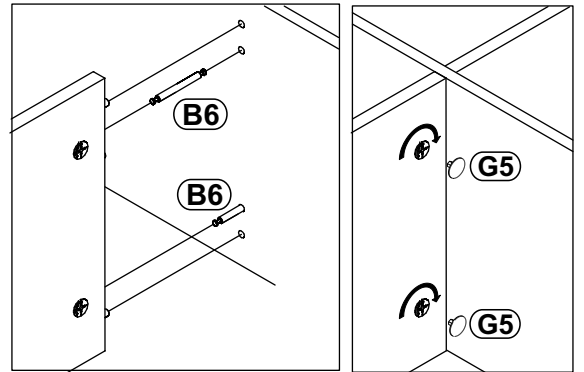
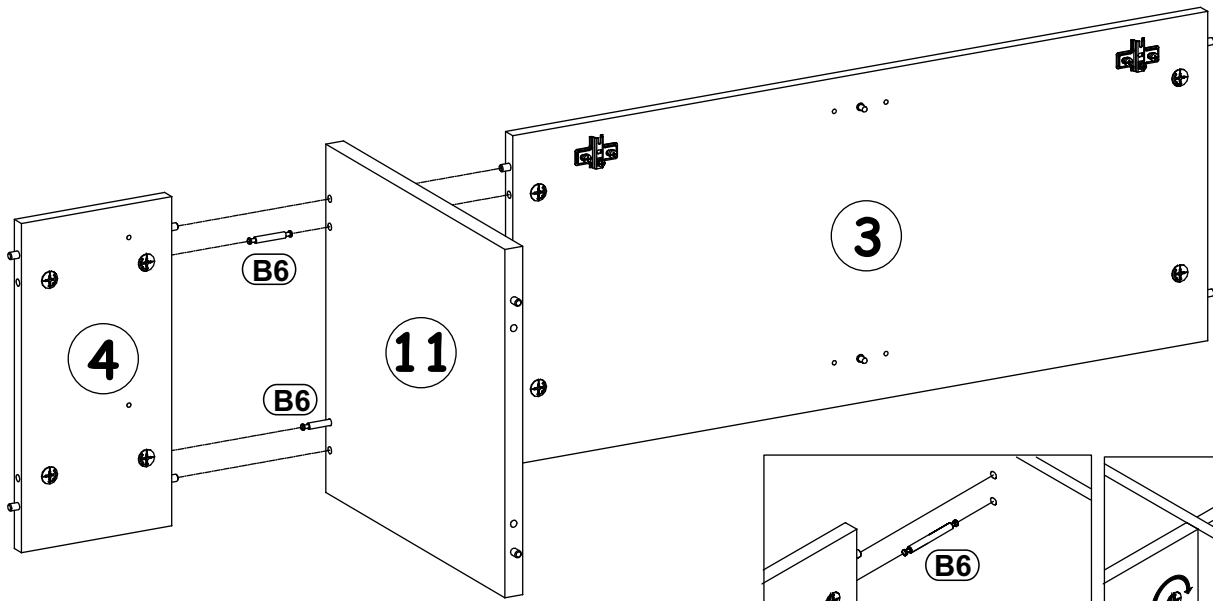
20

G5	
x4	




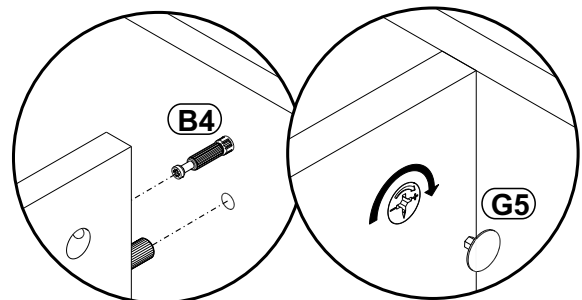
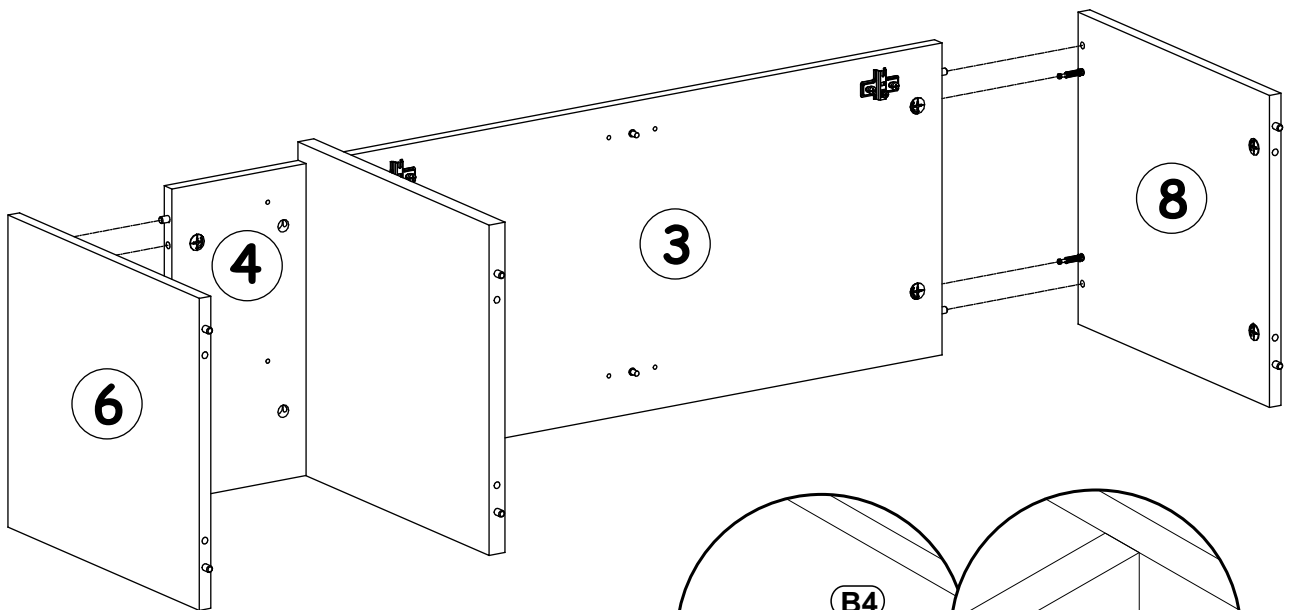
21

B6		G5	
x2		Ø7x76	



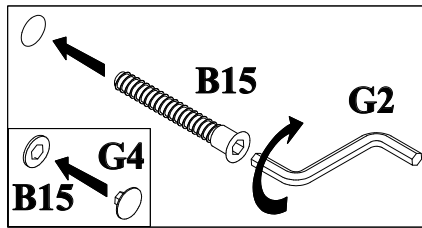
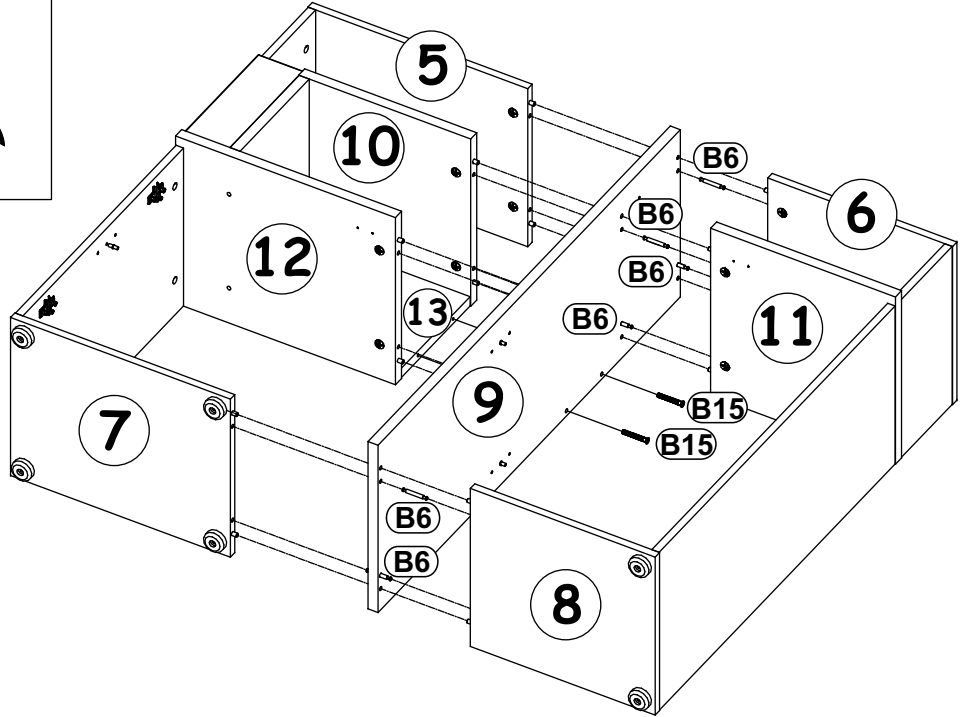
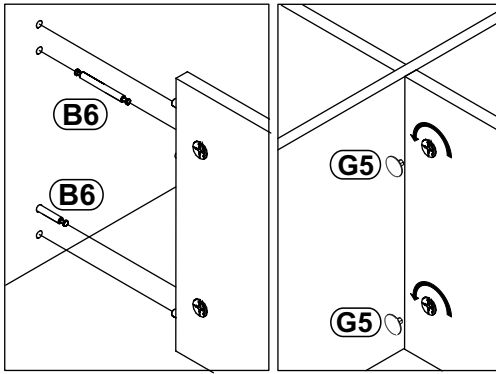
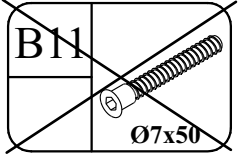
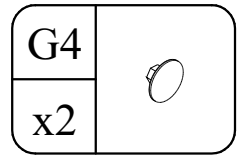
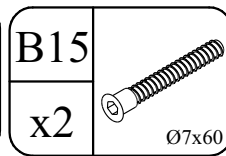
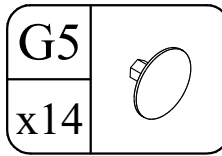
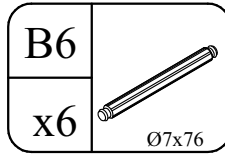
22

G5	
x4	

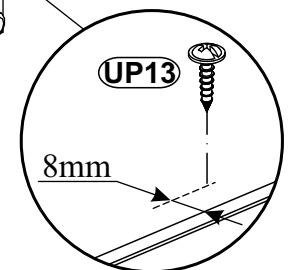
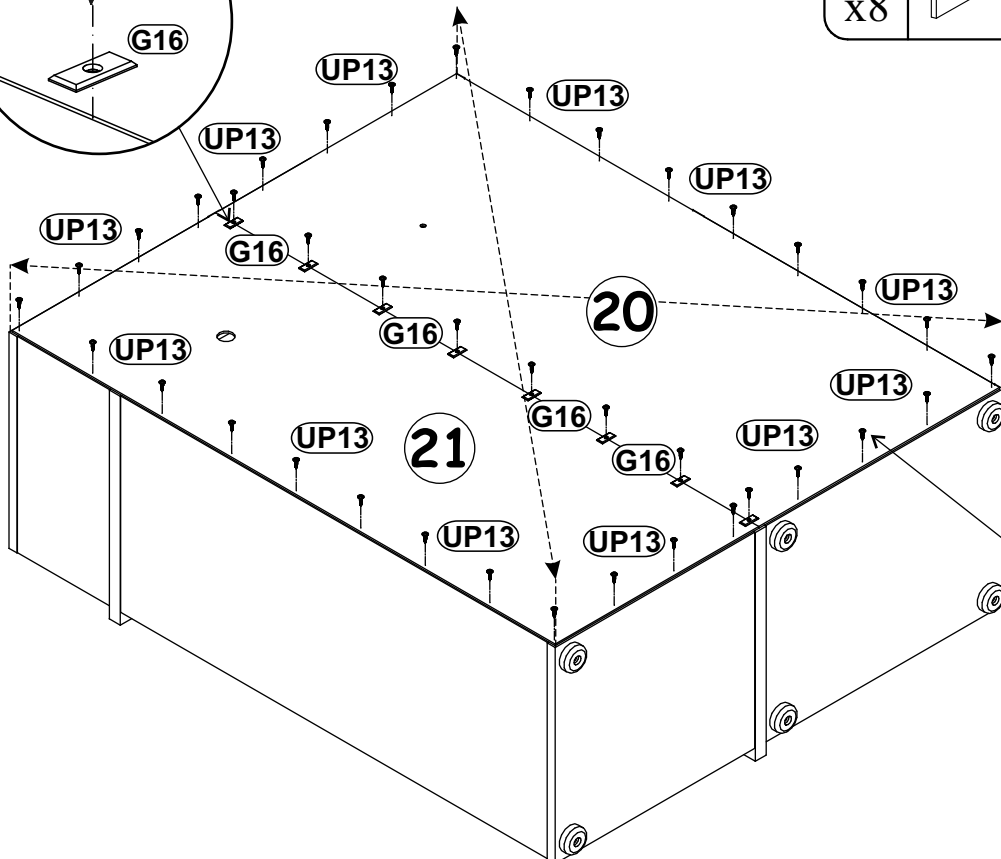
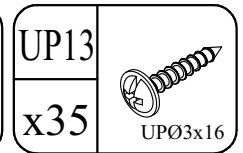
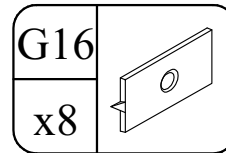
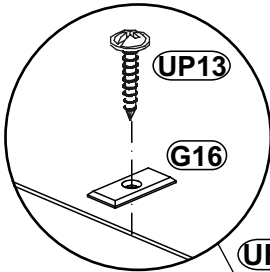




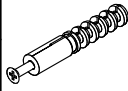
23

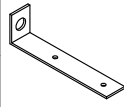



24

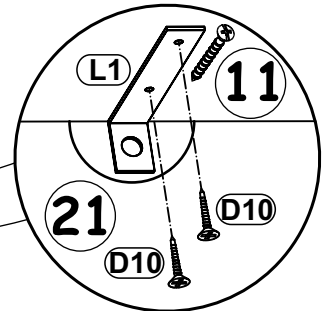
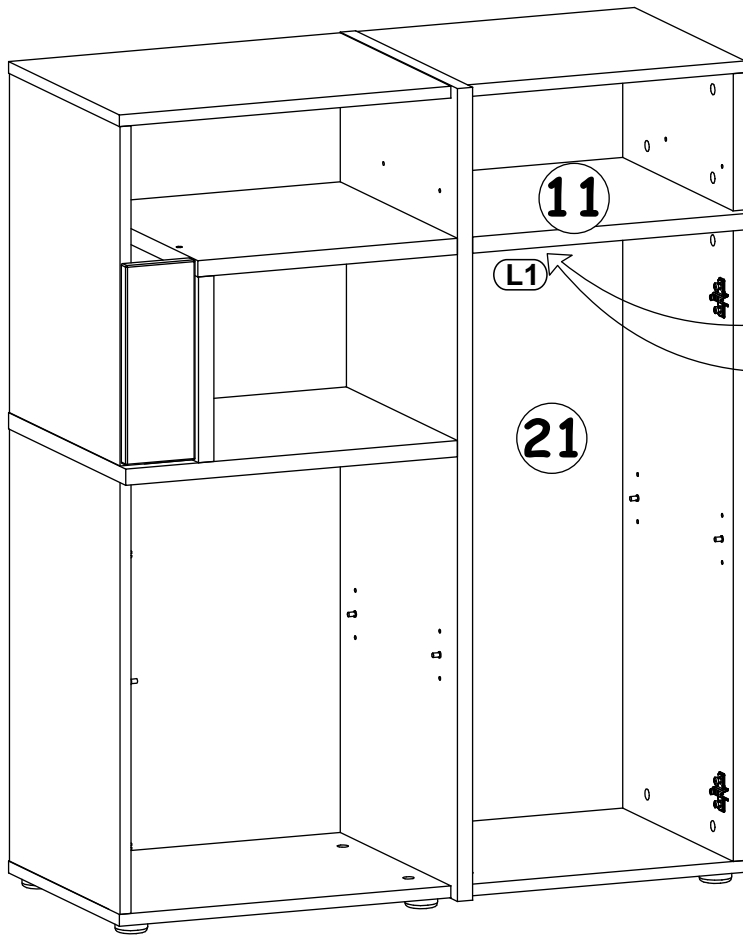
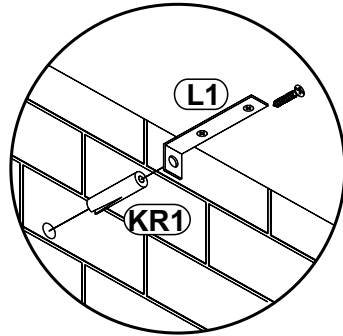
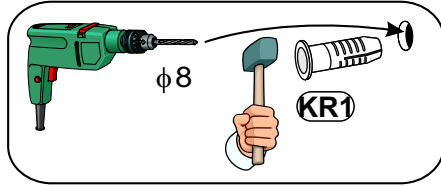
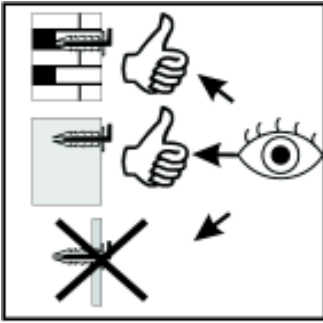


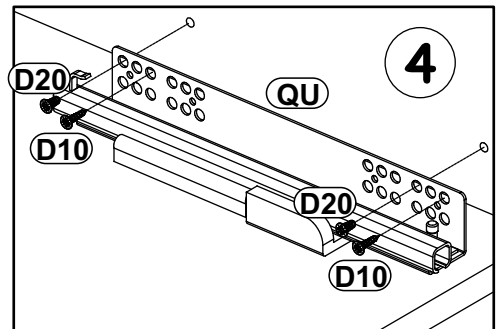
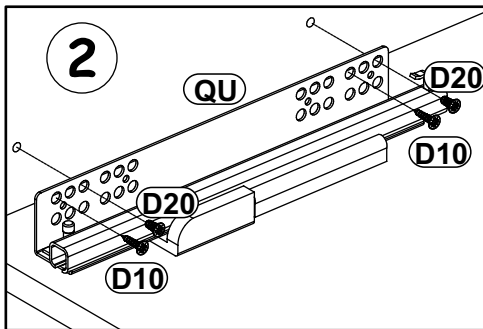
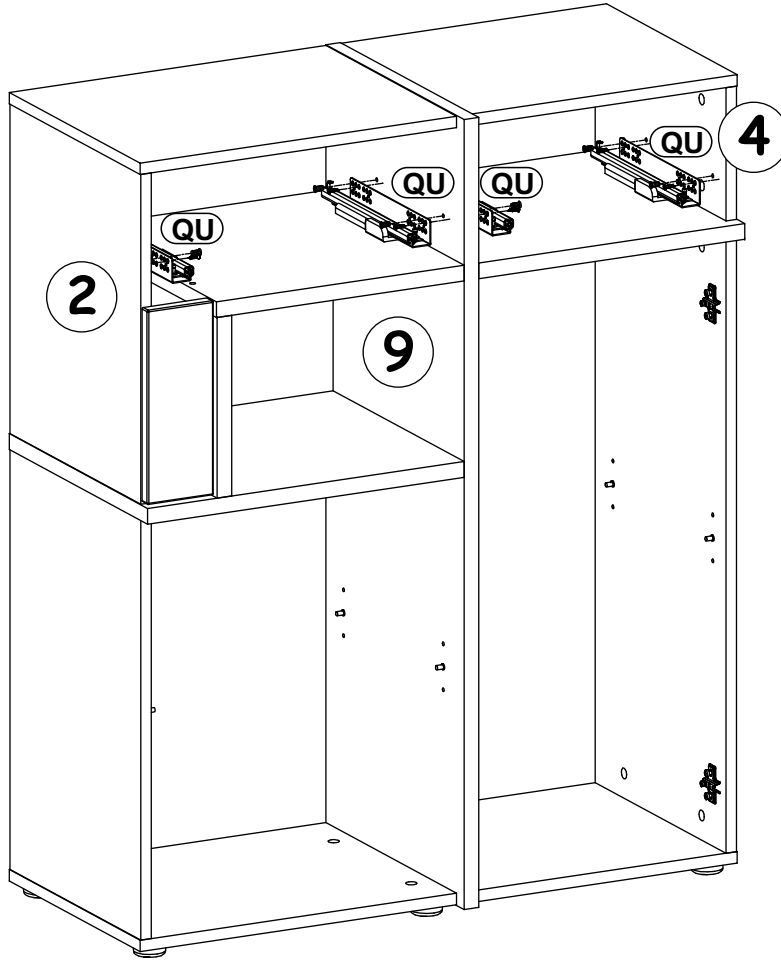
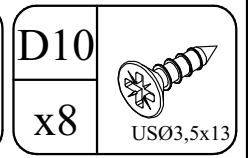
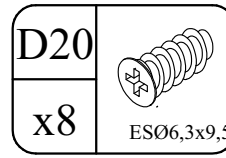
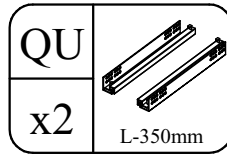
25

KR1	
x1	

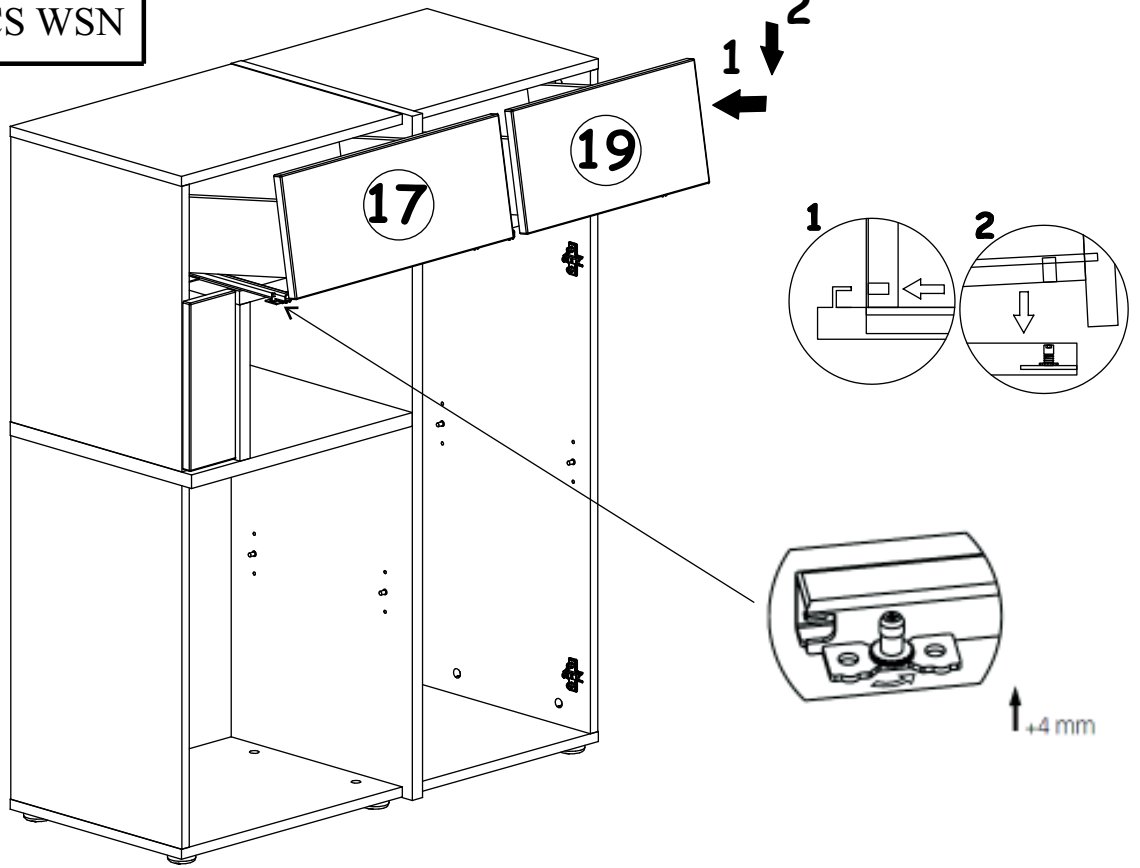
L1	
x1	

D10	
x2	US03,5x13





27



28

