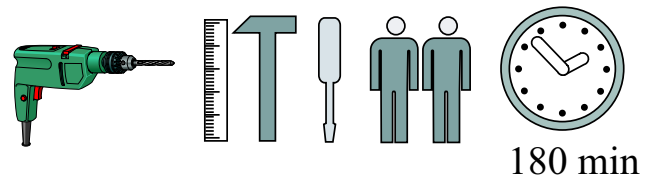
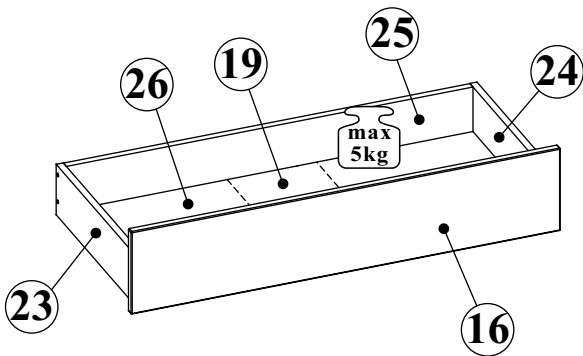
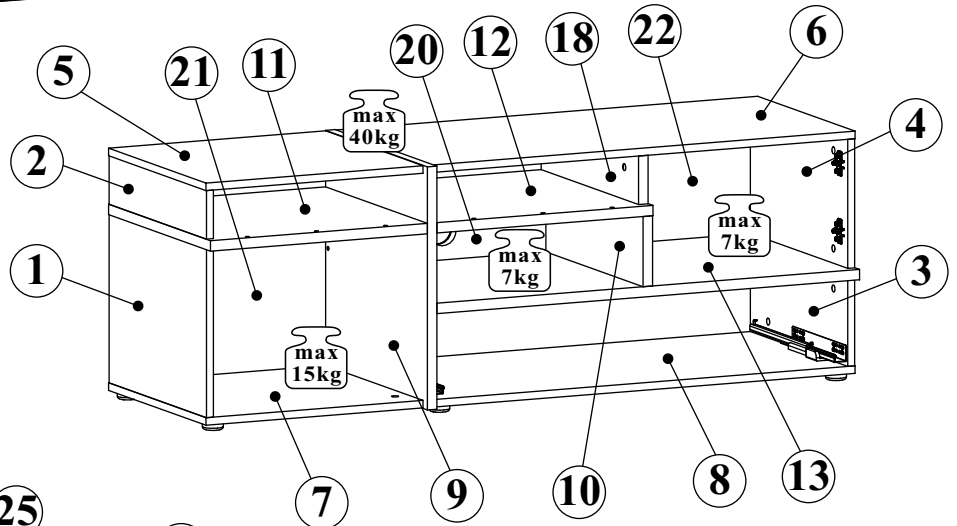
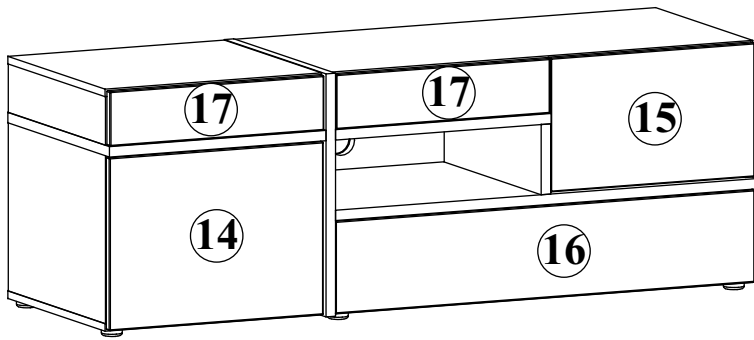
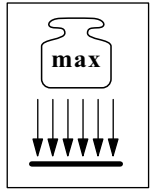


CROSS 28 ** CS RTV

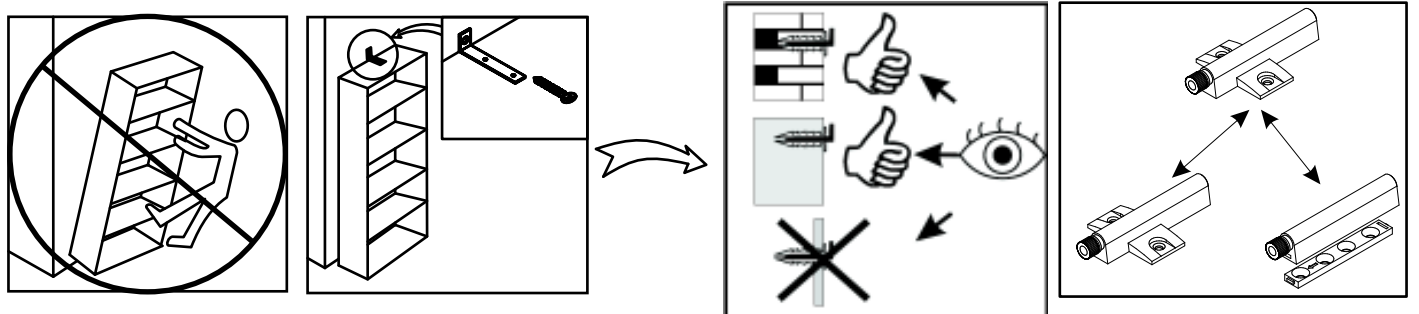
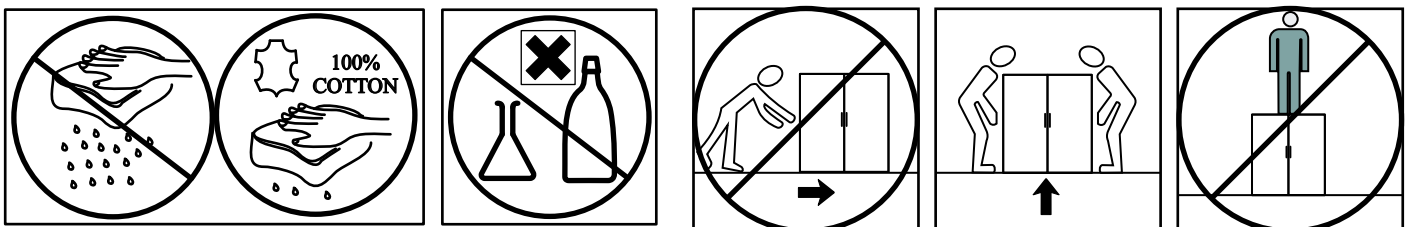
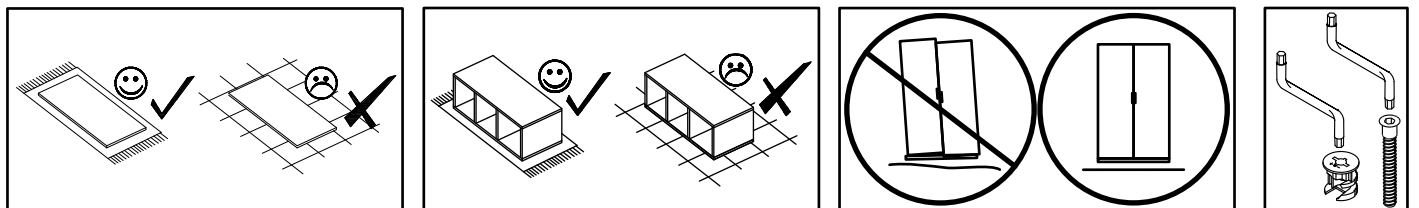
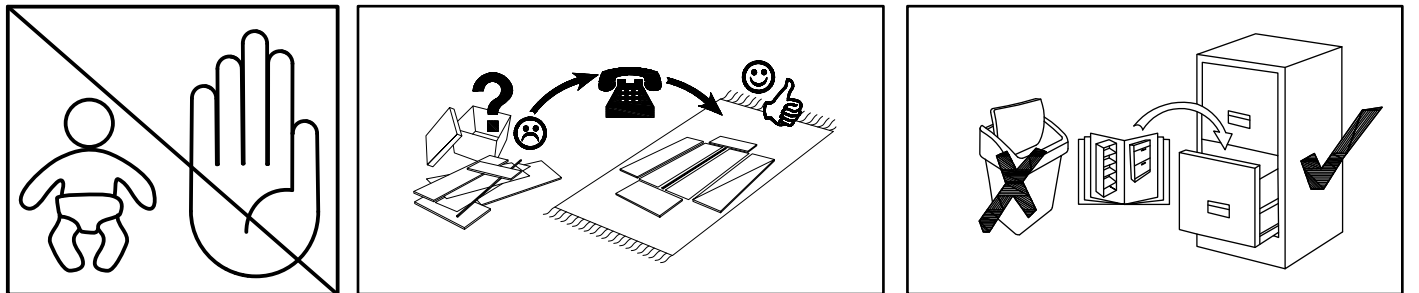
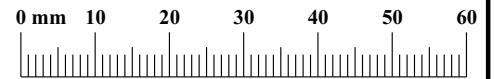


NO	Dim.		Col.-No	Qty
1	357	477	16	2
2	103	477	16	2
3	186	477	16	2
4	274	477	16	2
5	502	477	16	2
6	978	477	16	2
7	502	477	16	2
8	978	477	16	2
9	516	499	22	1
10	149	499	22	1
11	502	499	22	1
12	500	499	22	1
13	978	499	22	1

NO	Dim.		Col.-No	Qty
14	367	496	16	1
15	284	473	16	1
16	196	972	16	1
17	116	496	16	1
18	103	477	22	1
19	400	184	16	2
20	476	148	22	1
21	508	509	3	1
22	508	985	3	1
23	400	120	16	2
24	400	120	16	2
25	921	106	16	2
26	404	933	3	2

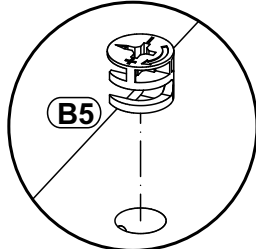
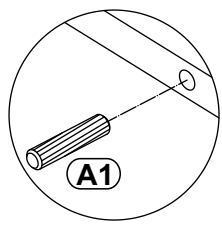
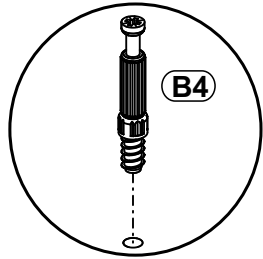
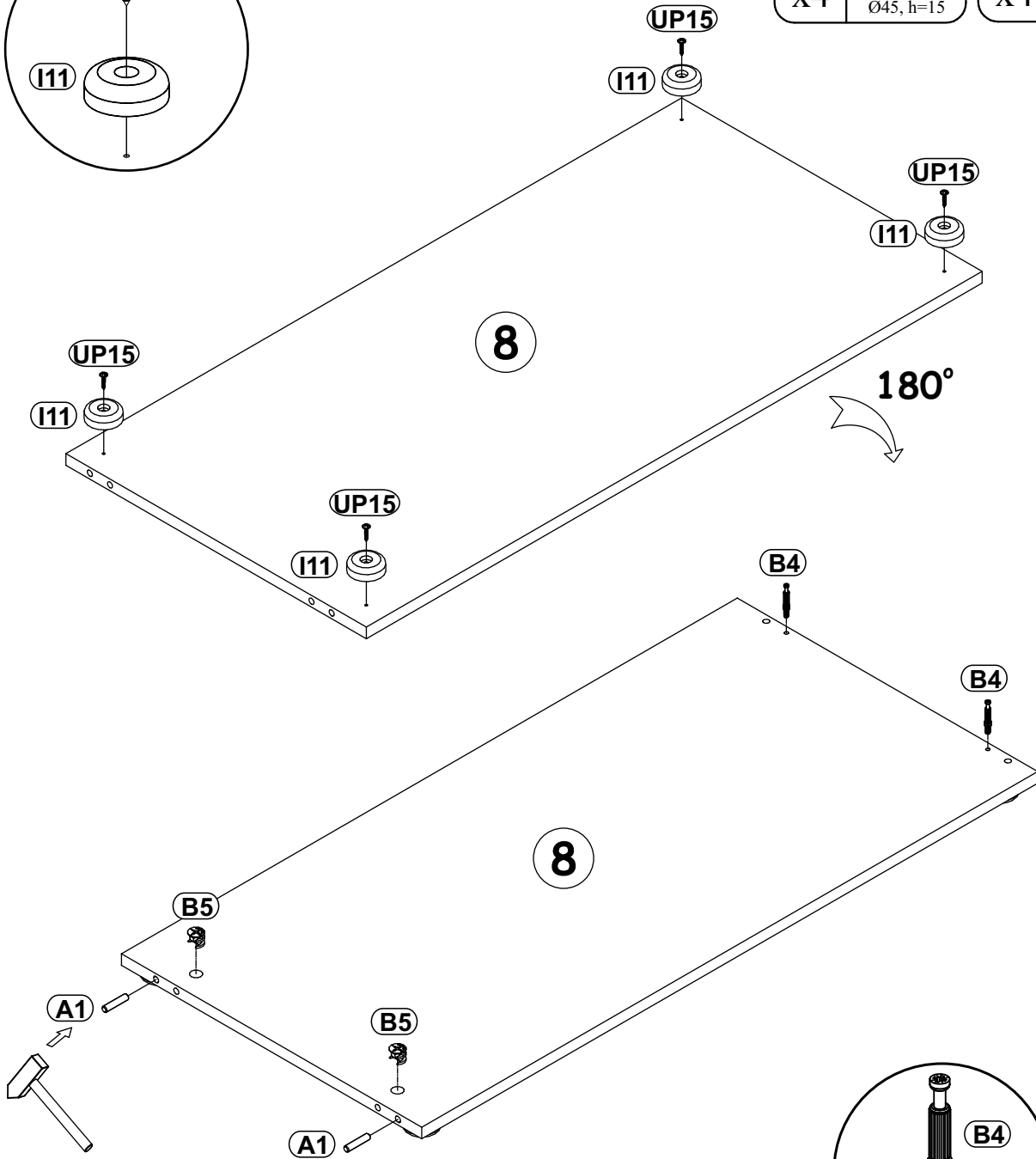
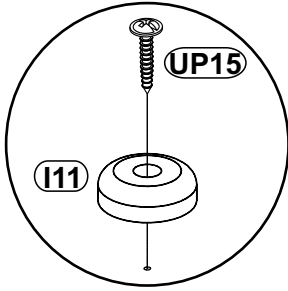
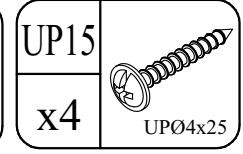
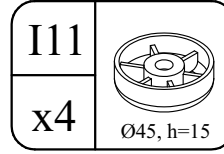
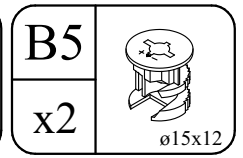
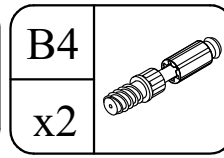
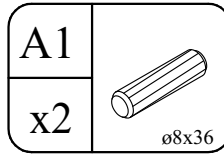
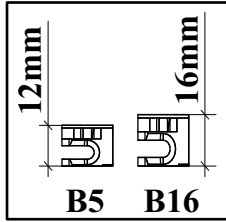
CROSS 28 ** CS RTV

A1 x42 ø8x36	B4 x18	B6 x10 Ø7x76	B5 x26 ø15x12	B16 x12 Ø15x16	G5 x38
E21 x4 Ø35 H=0	E2 x4 H=0	D10 x18 USØ3,5x13	QU x1 L=400mm	D20 x4 ESØ6,3x9,5	UP6 x2 UPØ4x30
S1 x2	G16 x4	UP13 x44 UPØ3x16	B11 x4 Ø7x50	B15 x10 Ø7x60	G4 x14
I11 x6 Ø45, h=15	UP15 x6 UPØ4x25	T3/T5 x2	KR1 x1	L1 x1	G2 x1



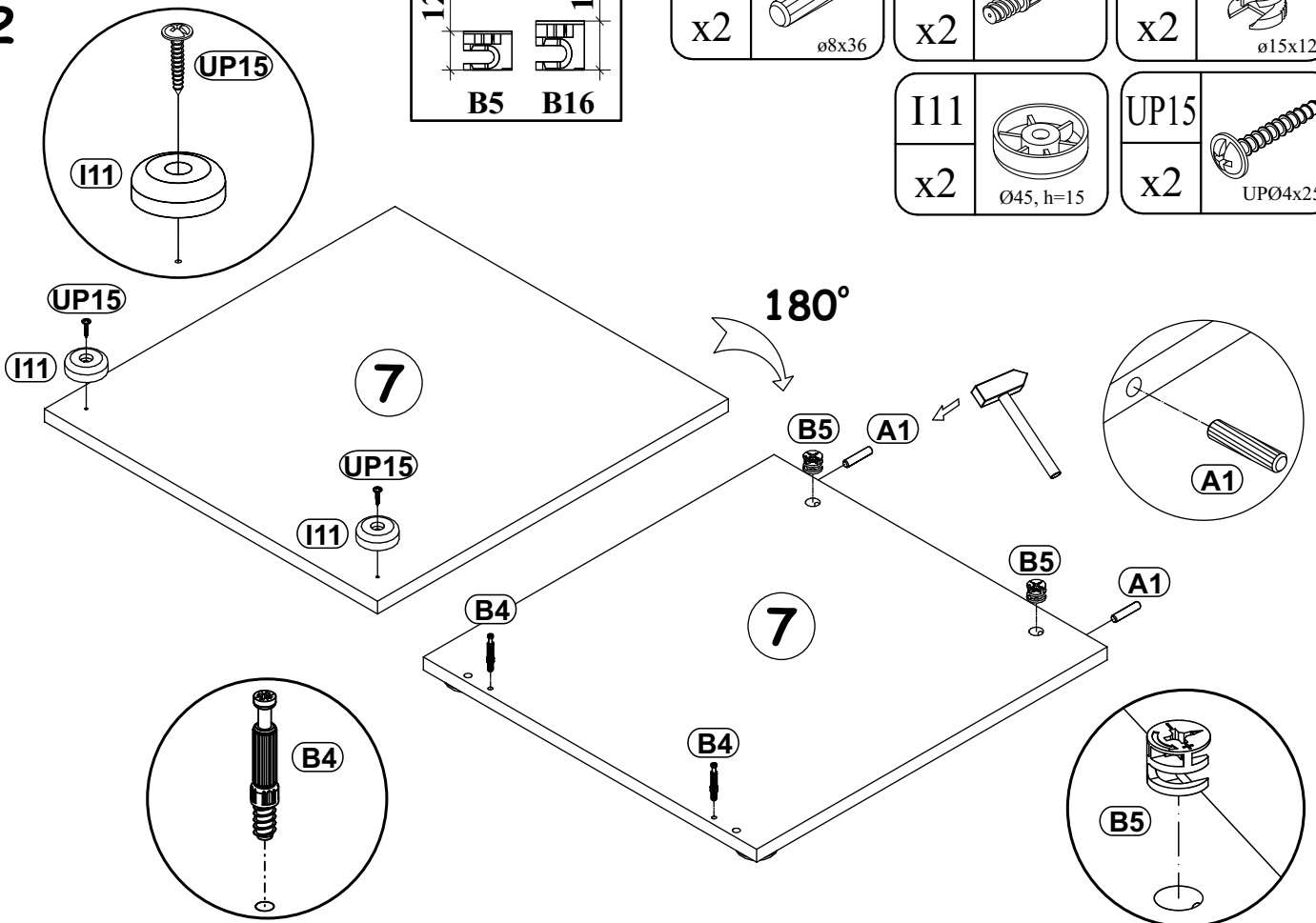
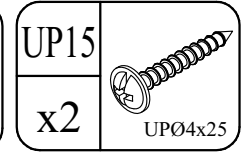
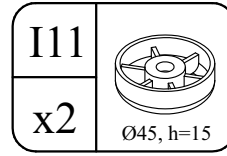
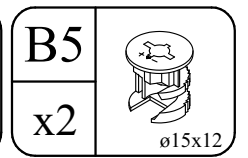
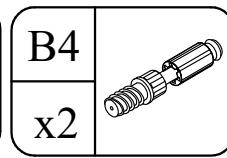
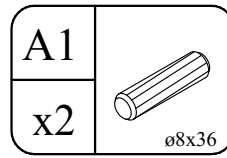
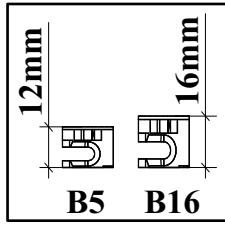
CROSS 28 ** CS RTV

1

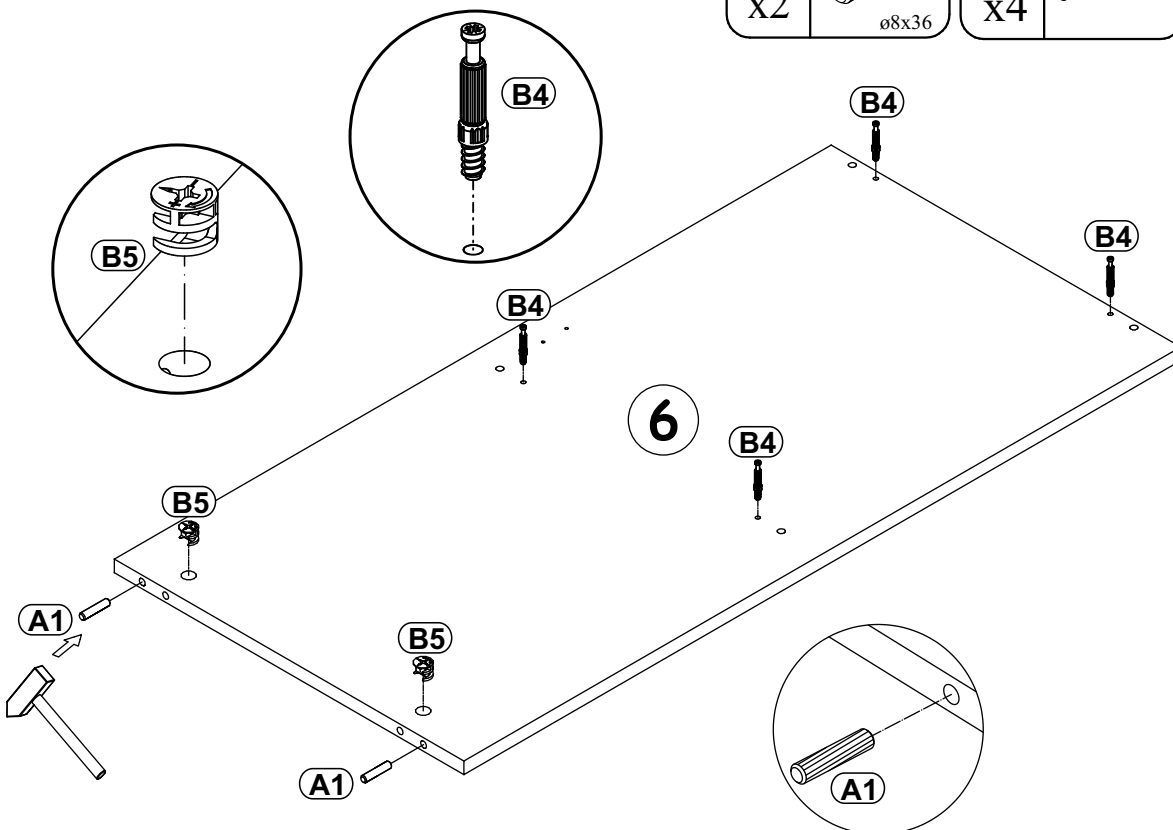
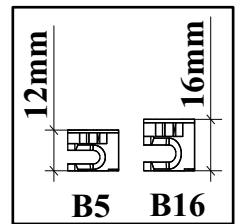
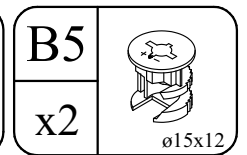
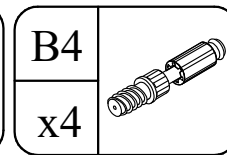
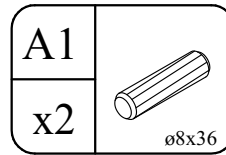


CROSS 28 ** CS RTV

2

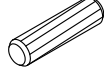


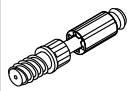
3






CROSS 28 ** CS RTV

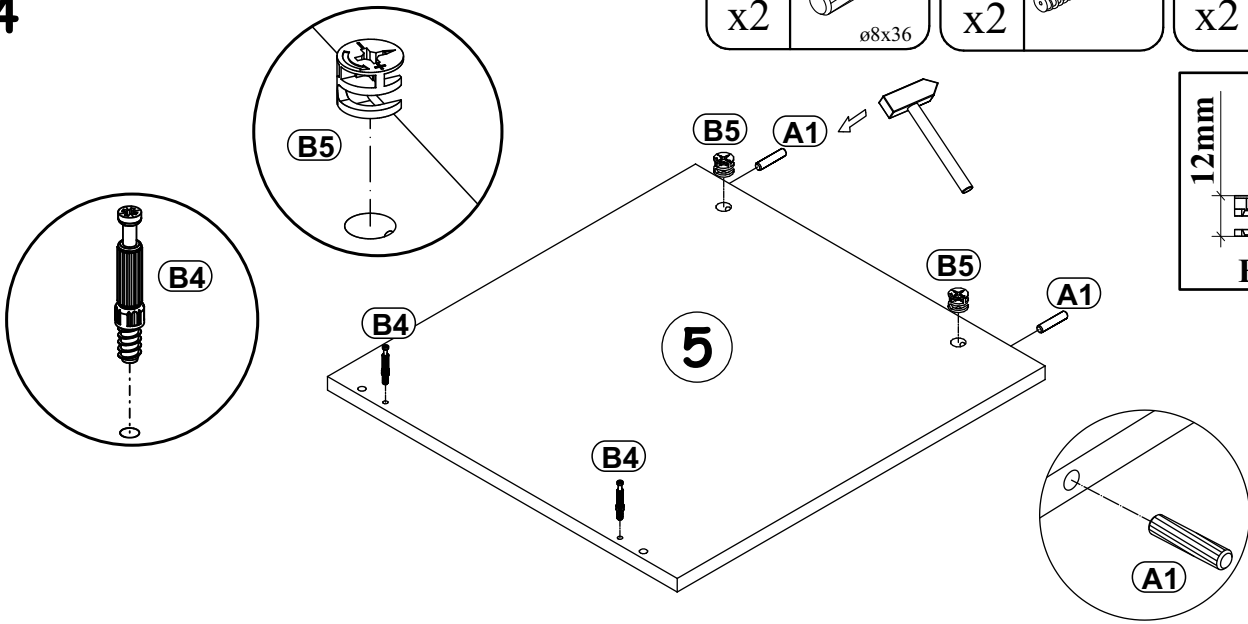
4

A1	
x2	ø8x36

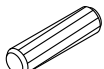
B4	
x2	

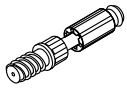
B5	
x2	ø15x12


12mm		16mm	
	B5		B16

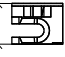



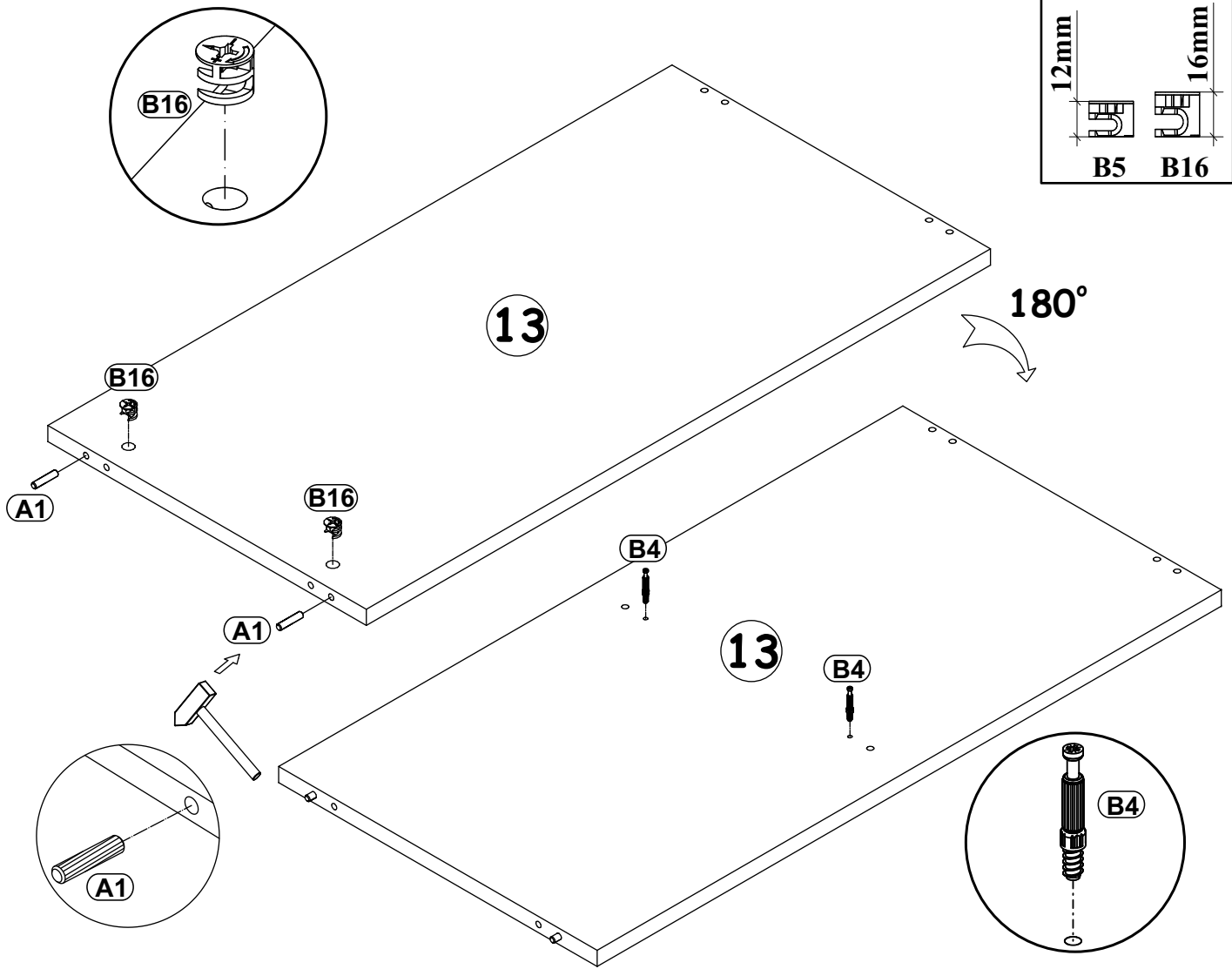
5

A1	
x2	ø8x36

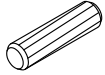
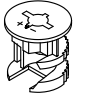
B4	
x2	



B16	
x2	Ø15x16

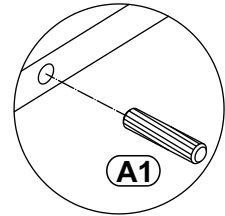
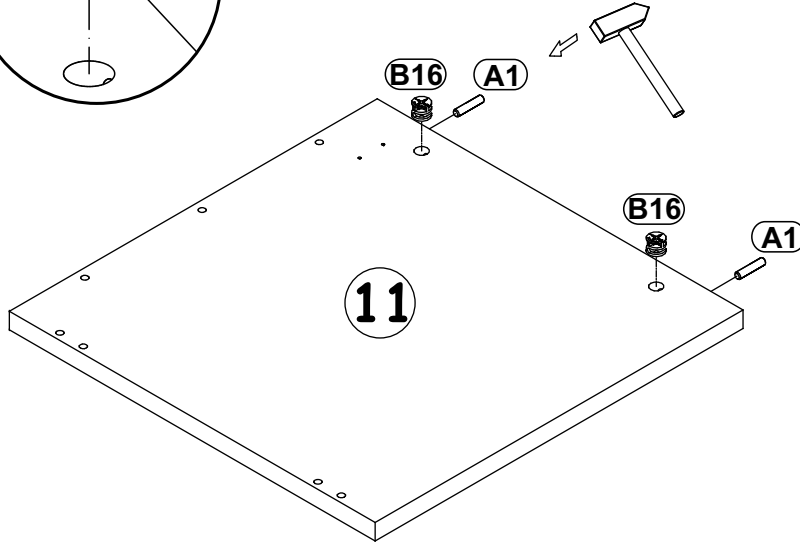
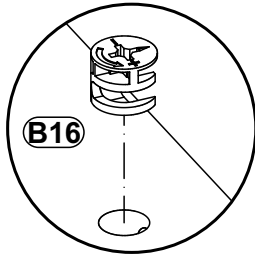
12mm		16mm	
	B5		B16



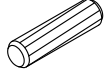
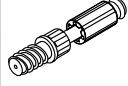
6



A1		B16	
x2	ø8x36	x2	Ø15x16

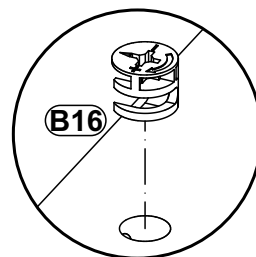
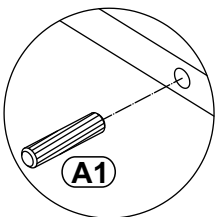
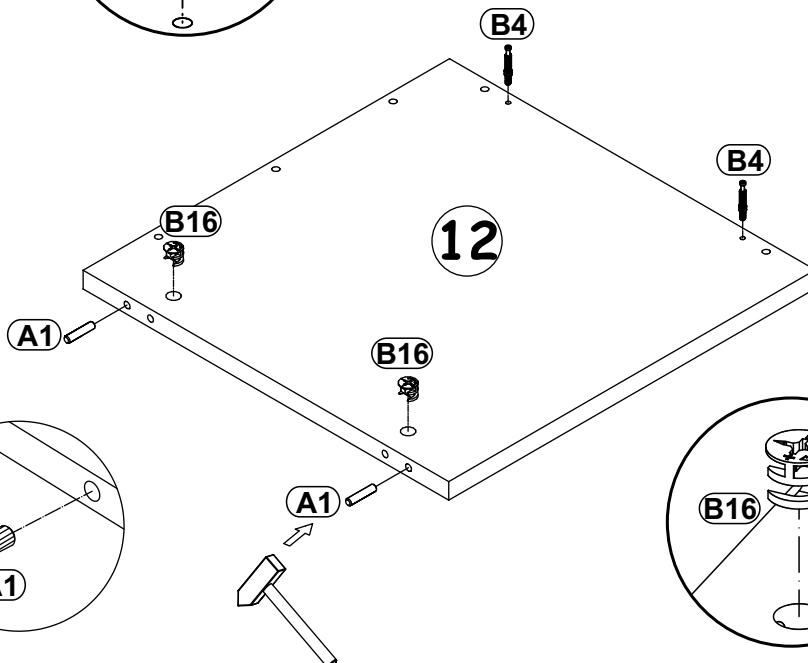
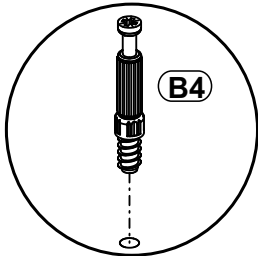
12mm		16mm	
B5		B16	



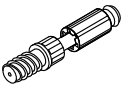
7

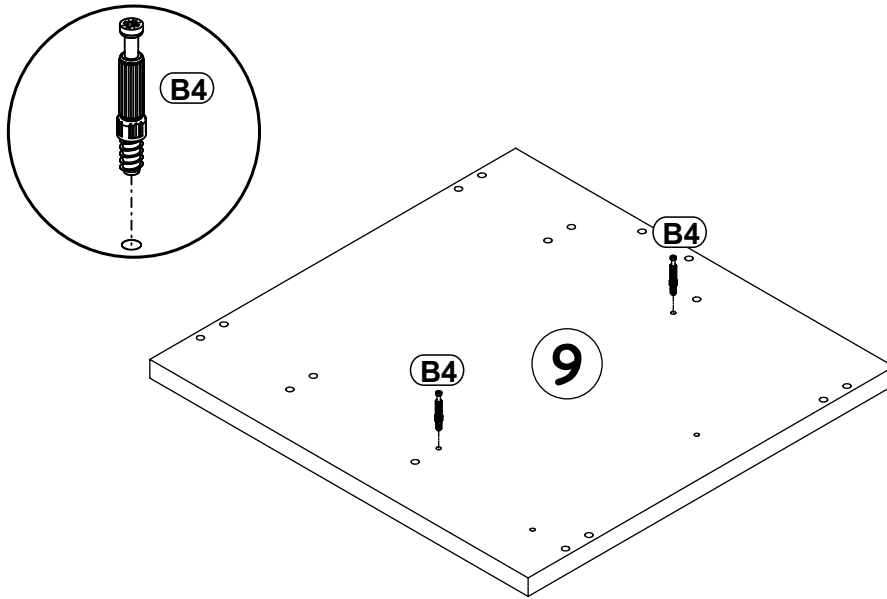
A1		B4	
x2	ø8x36	x2	

12mm		16mm	
B5		B16	

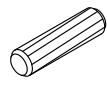


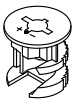
8

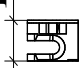
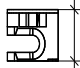
B4	
x2	

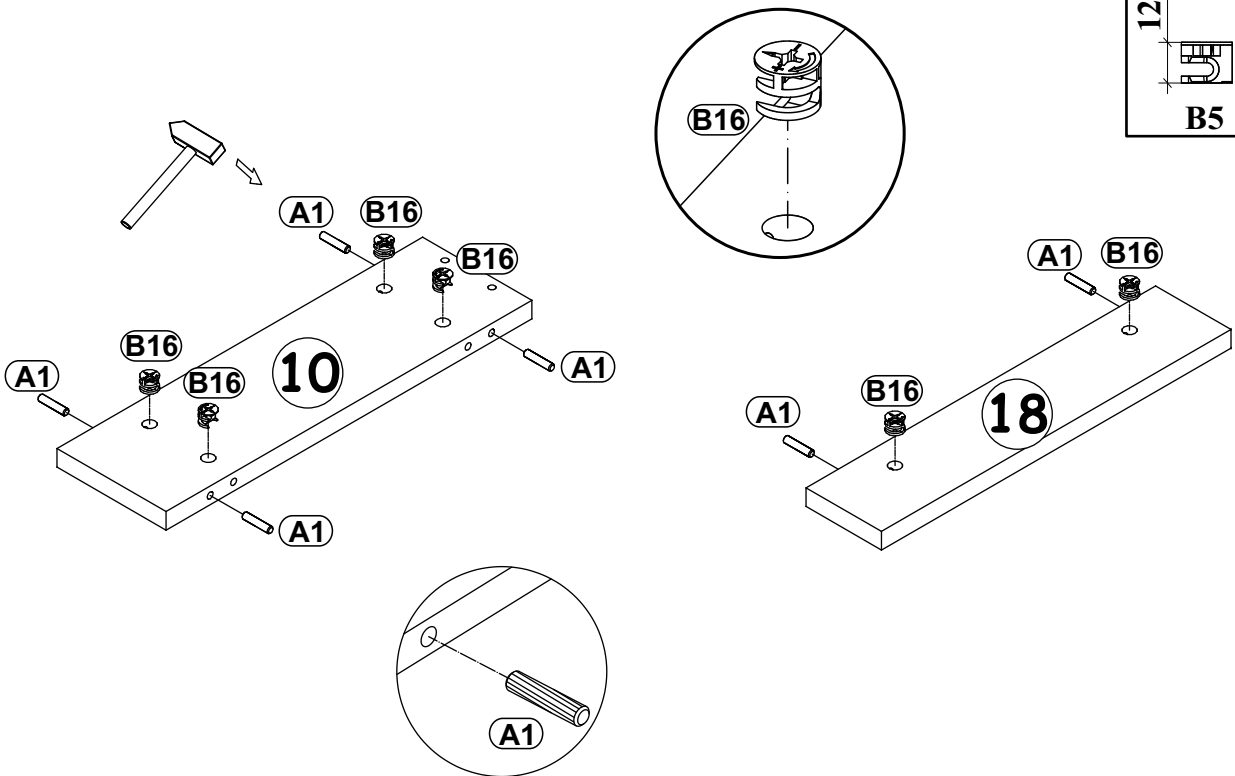


9

A1	
x6	ø8x36

B16	
x6	Ø15x16

12mm		16mm	
	B5		B16

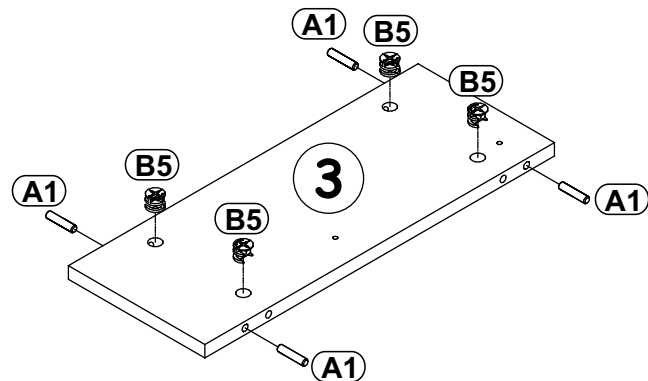
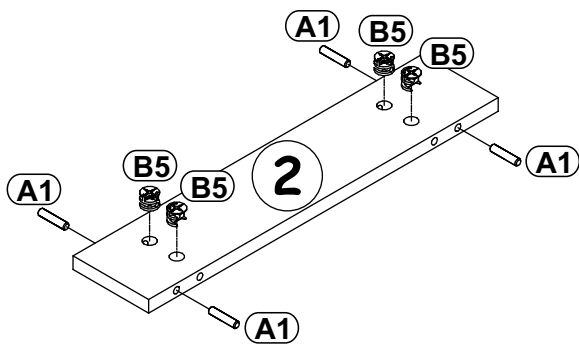
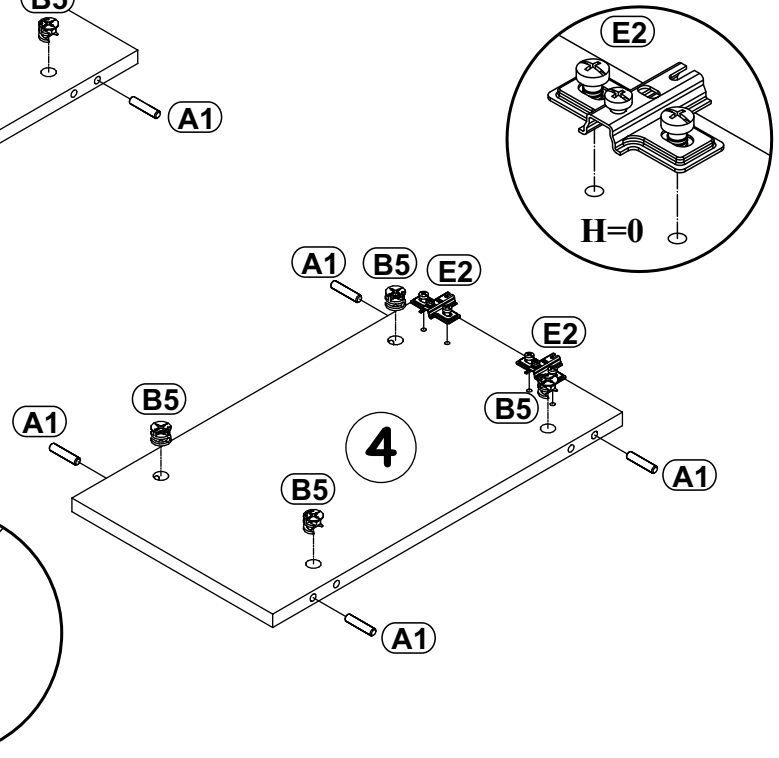
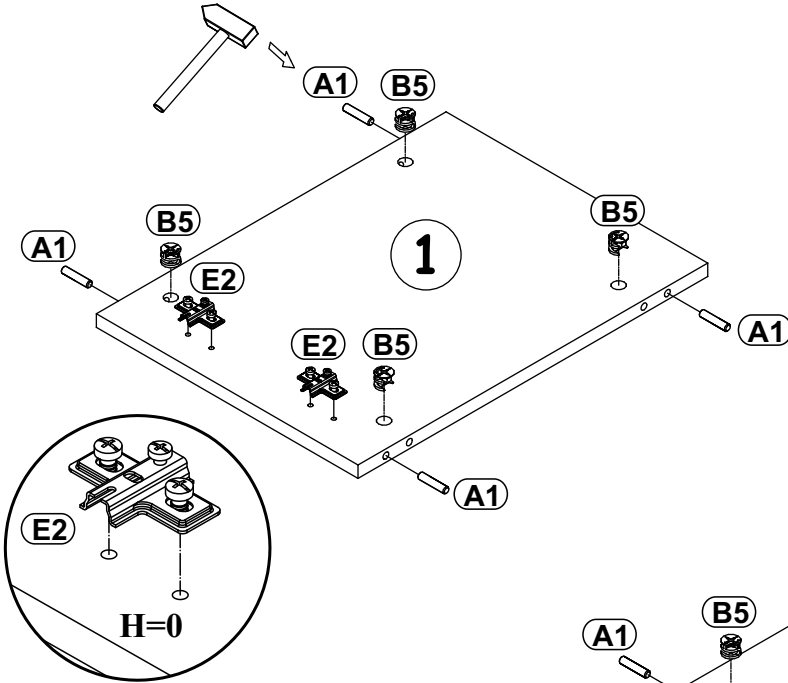
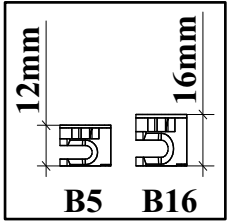


10

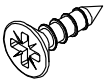
E2	
x4	H=0

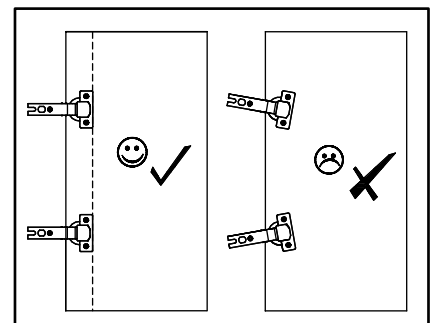
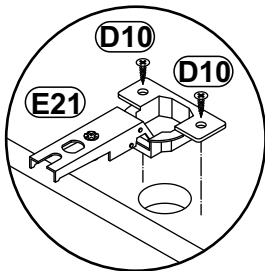
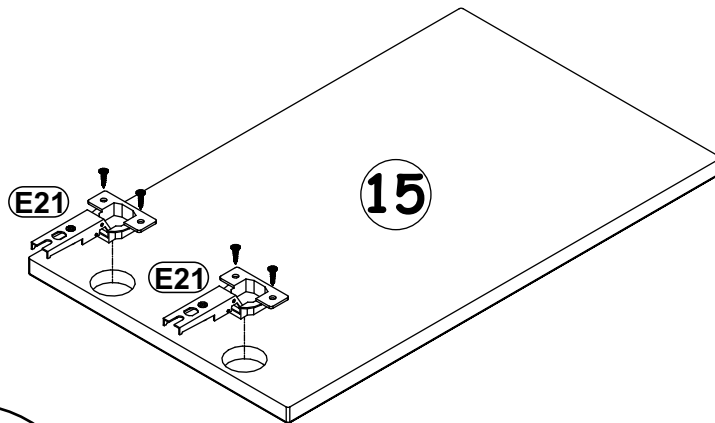
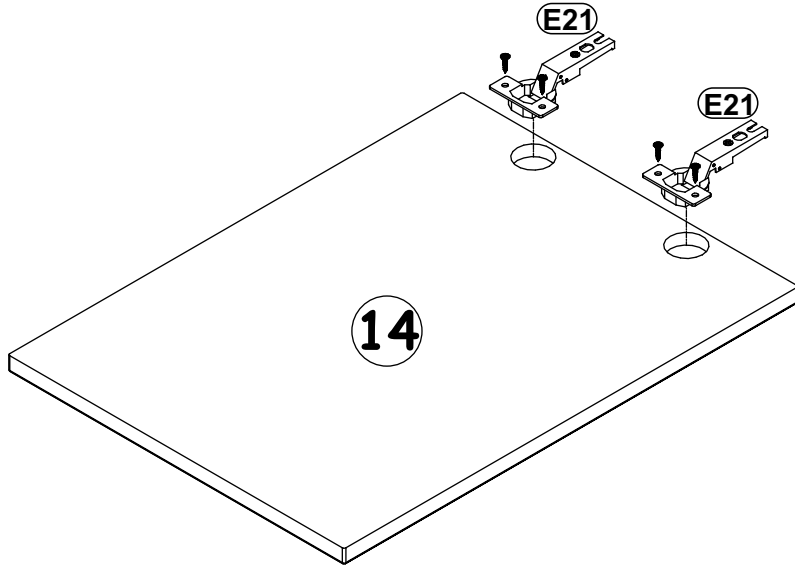
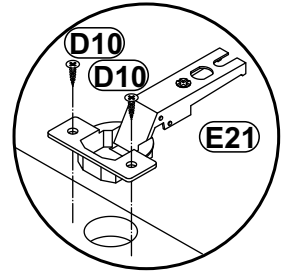
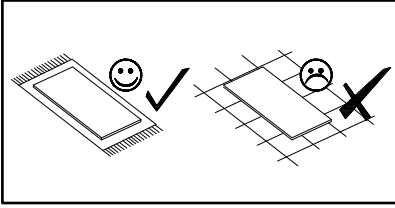
A1	
x16	ø8x36

B5	
x16	ø15x12

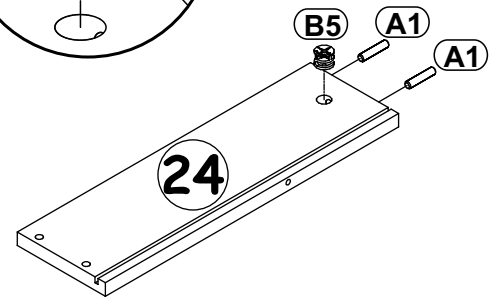
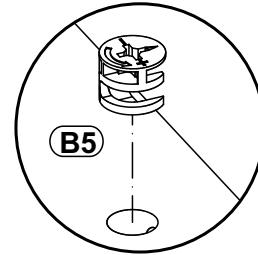
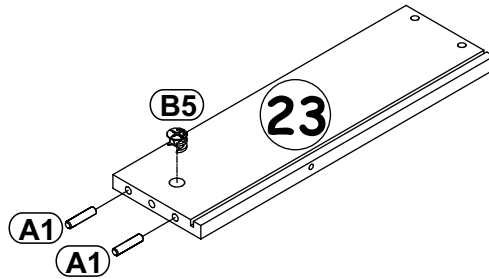
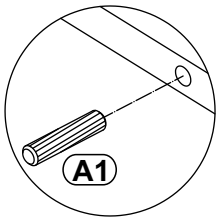
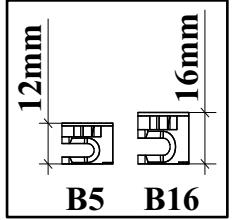
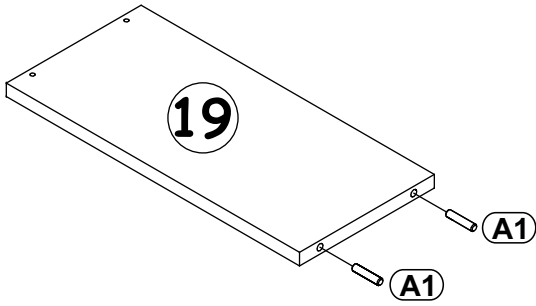
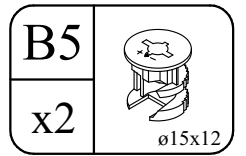
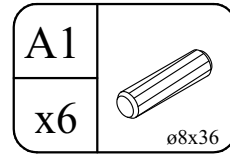


11

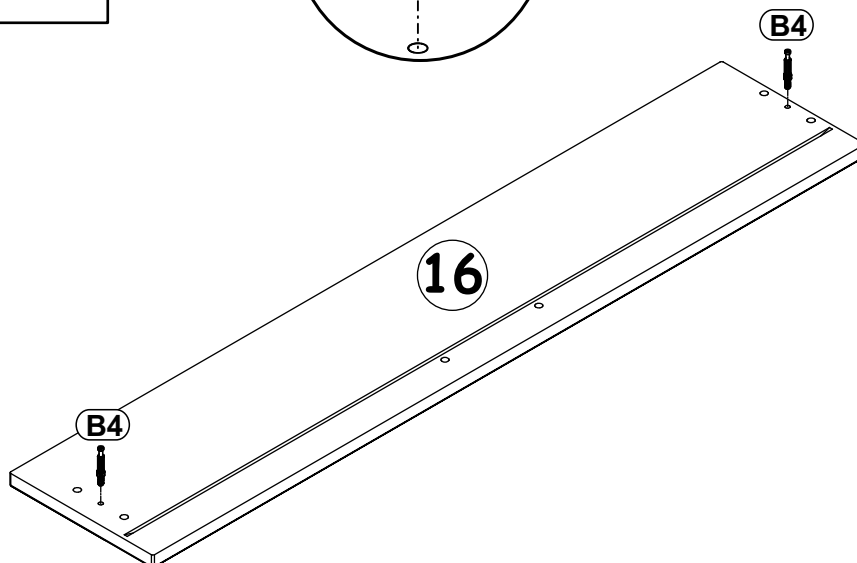
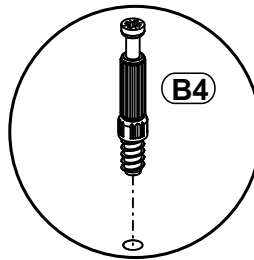
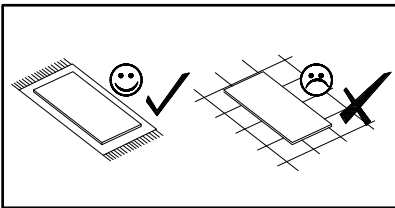
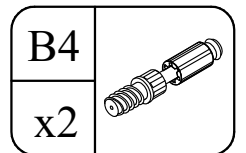
E21	Ø35	D10	 USØ3,5x13
x4	H=0	x8	



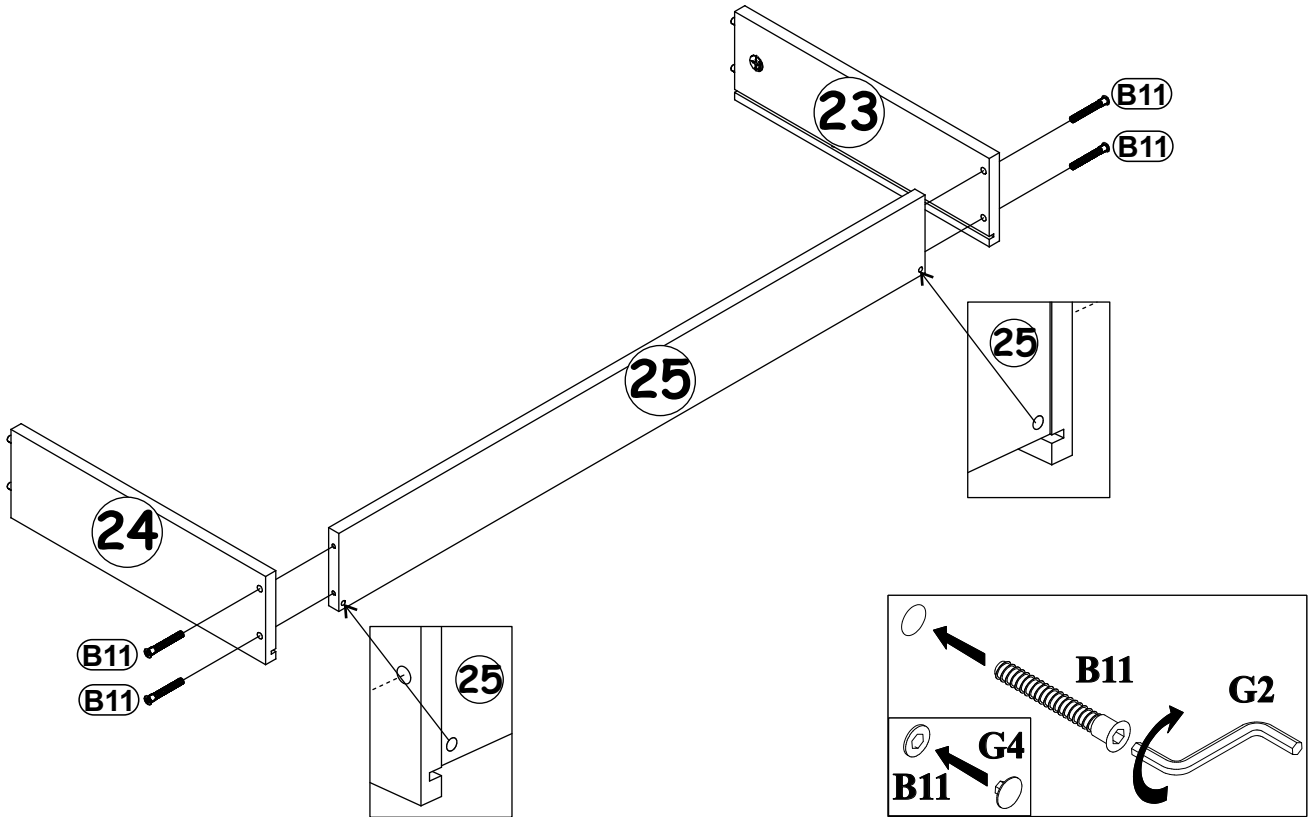
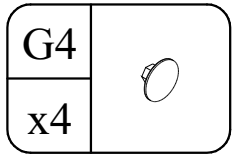
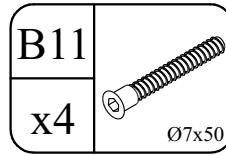
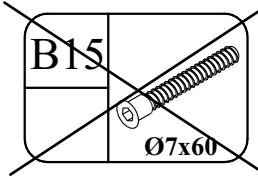
12



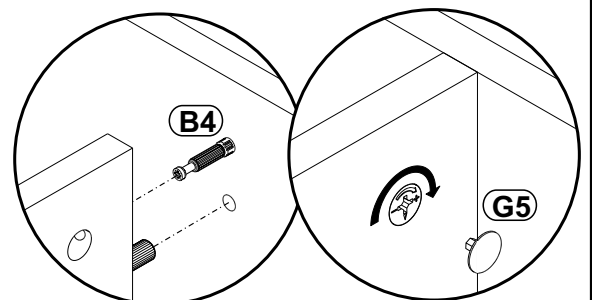
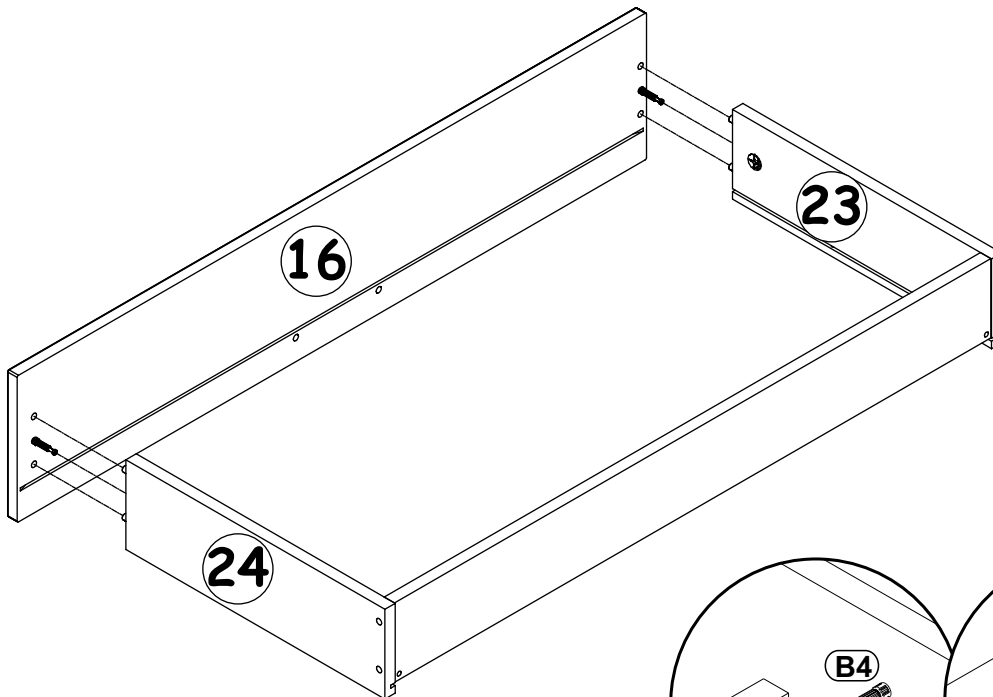
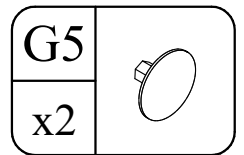
13



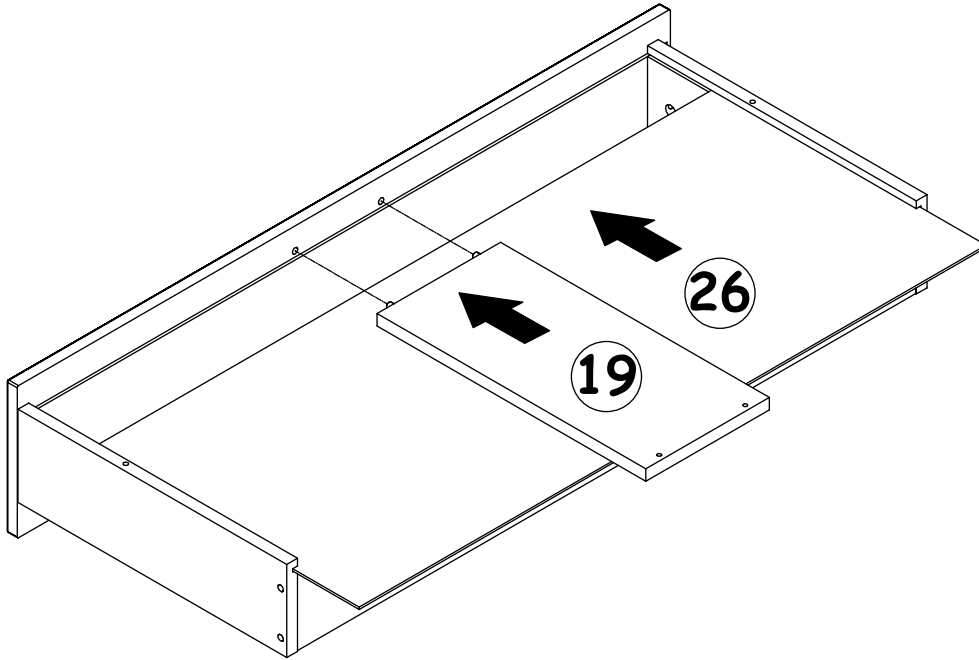
14



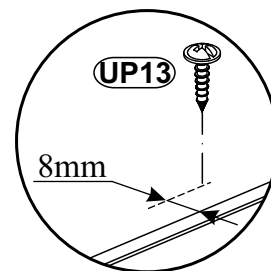
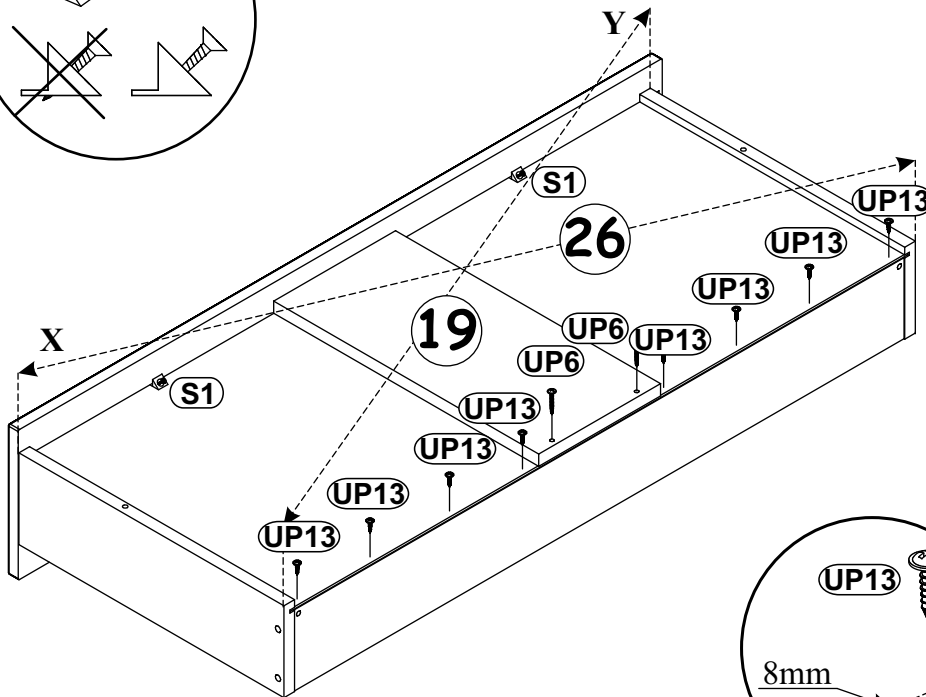
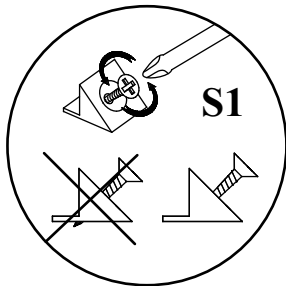
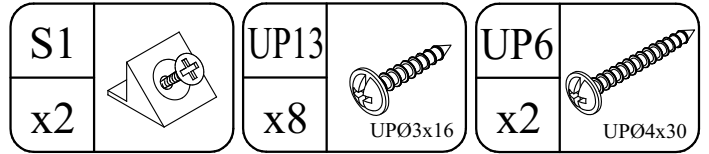
15



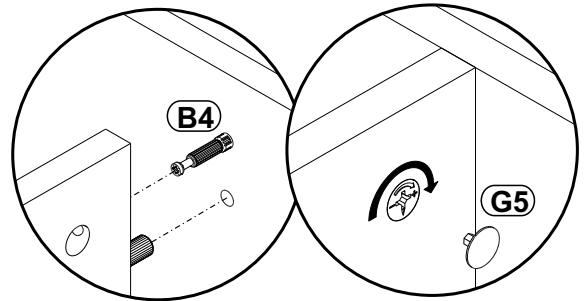
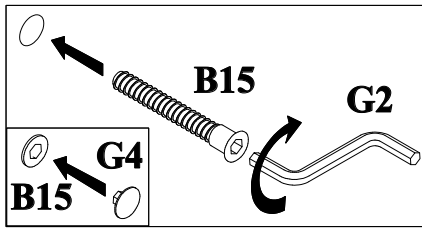
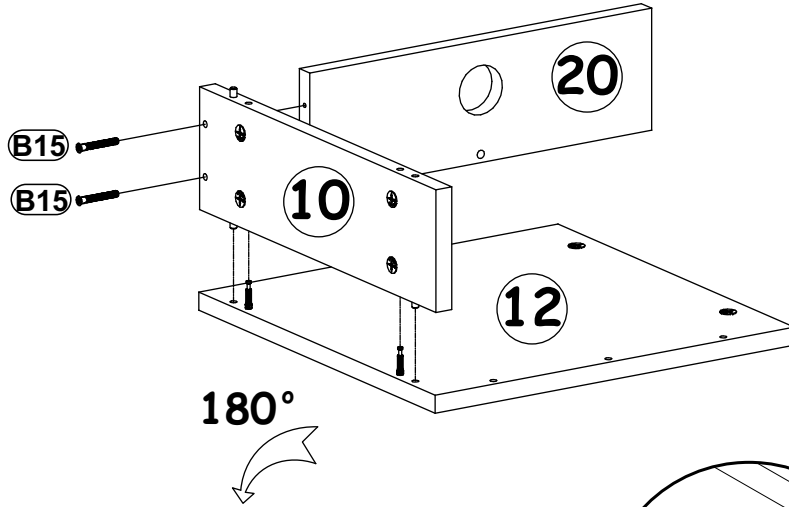
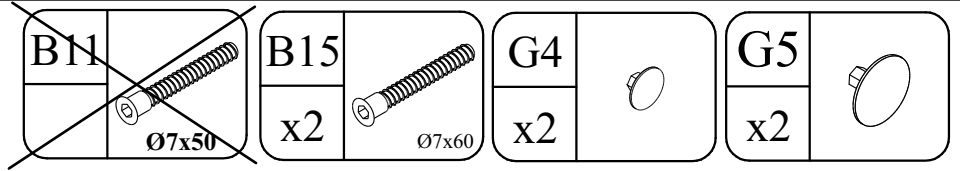
16



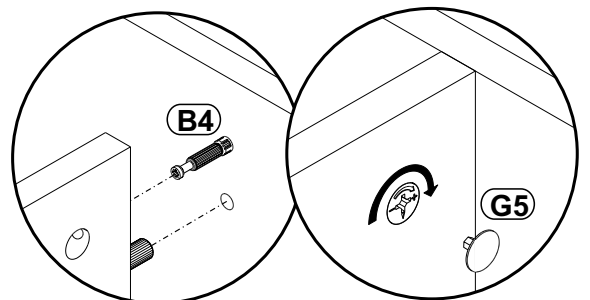
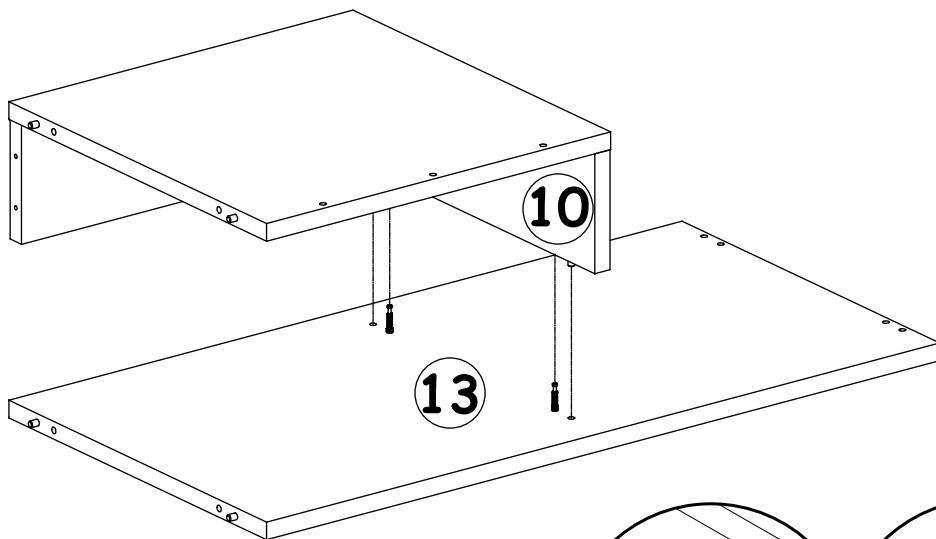
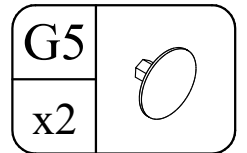
17



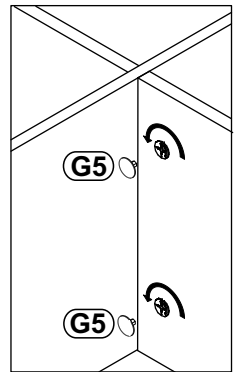
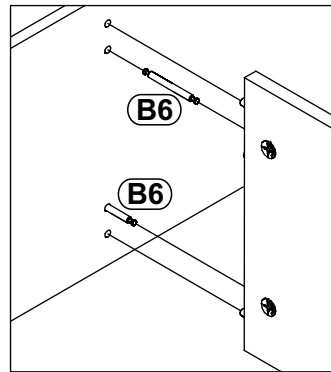
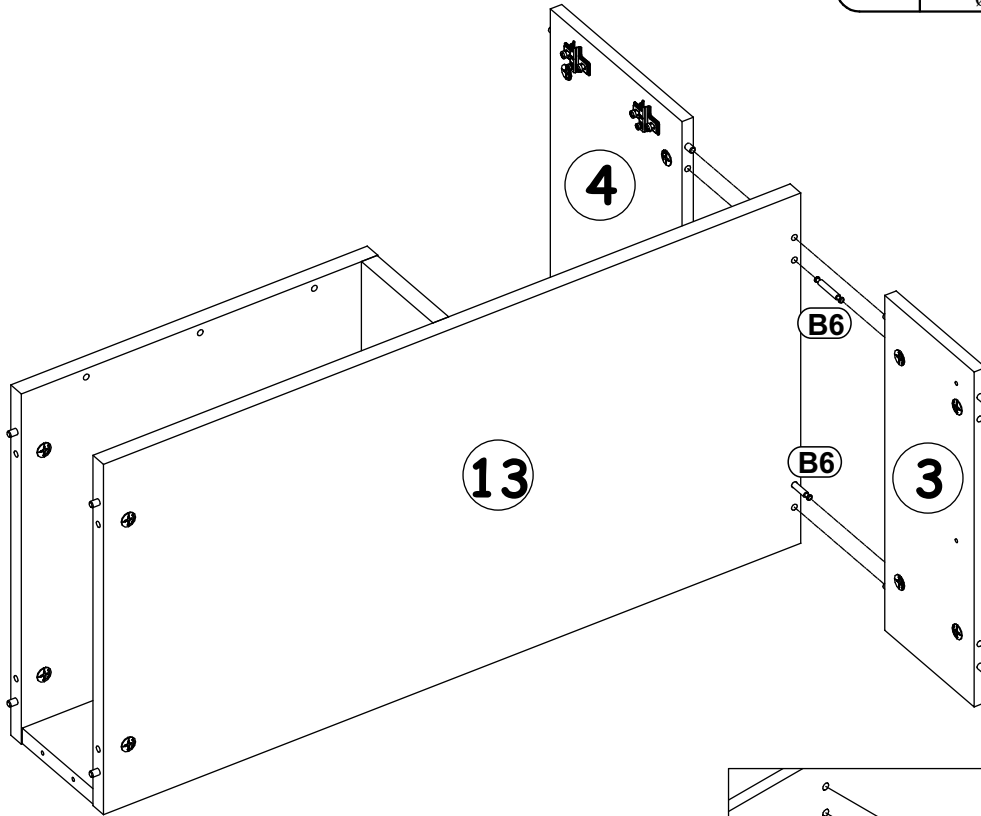
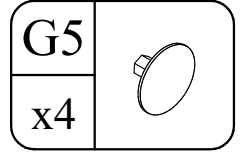
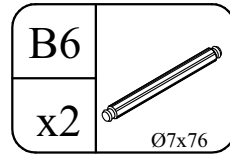
18



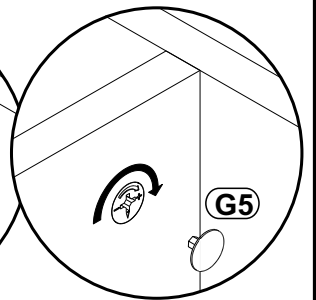
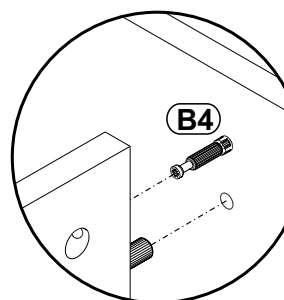
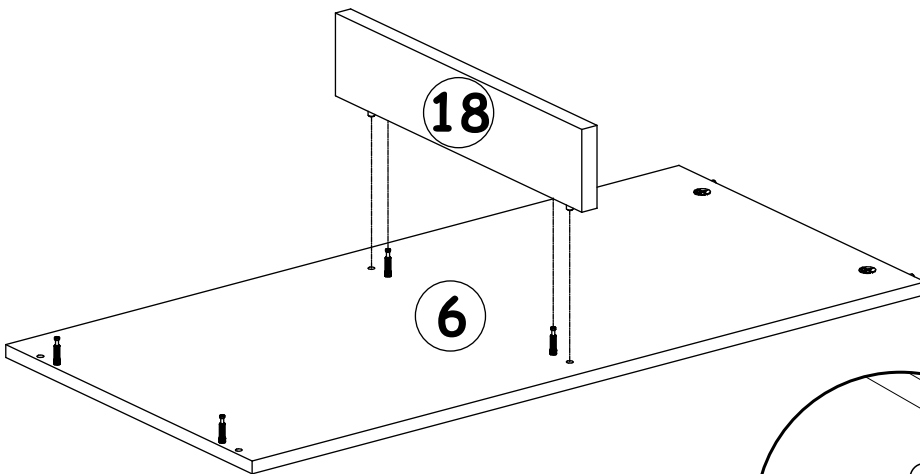
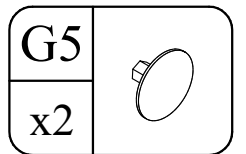
19




20

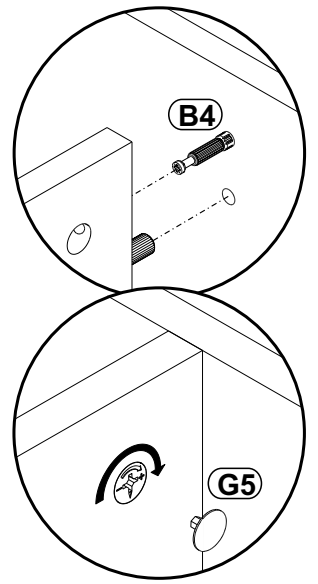
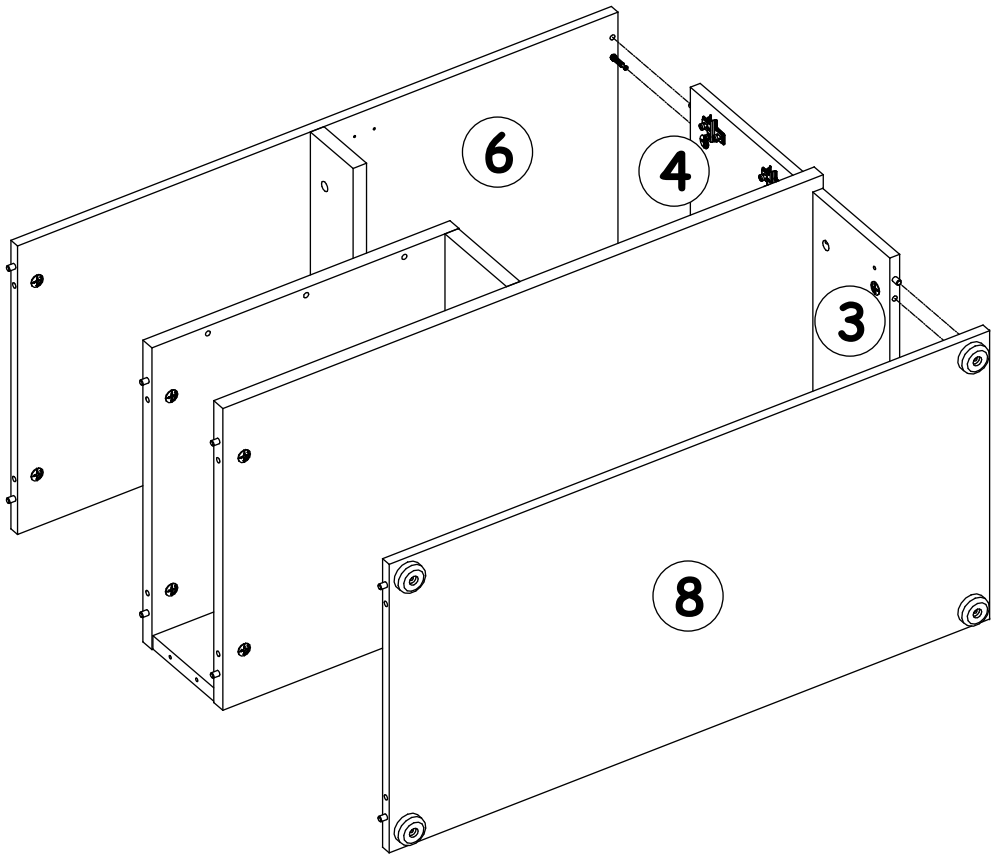


21

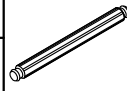



22

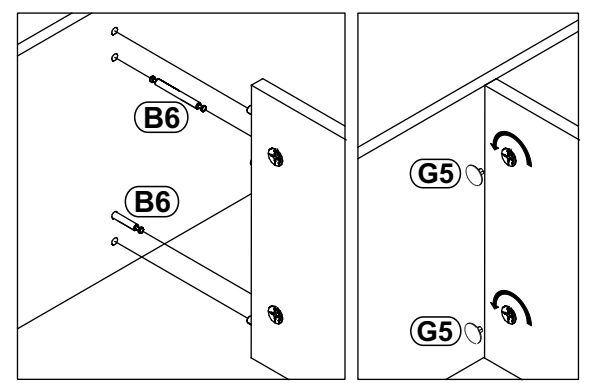
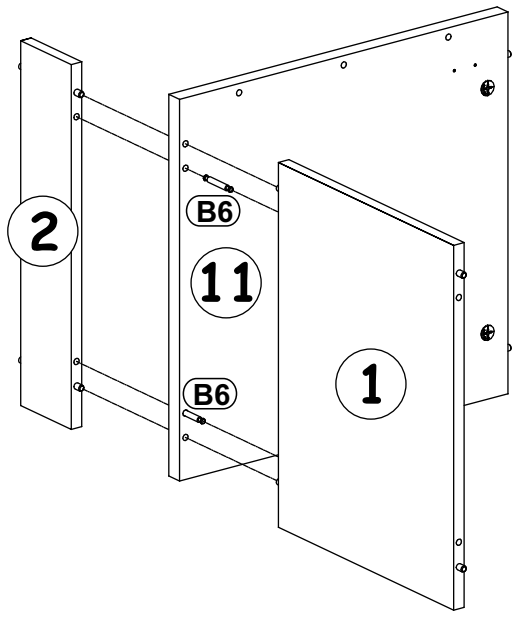
G5	
x4	



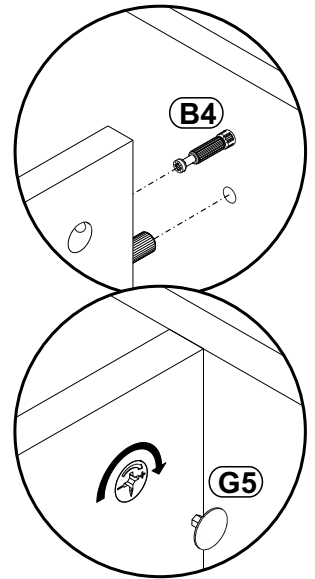
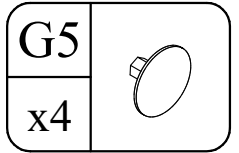
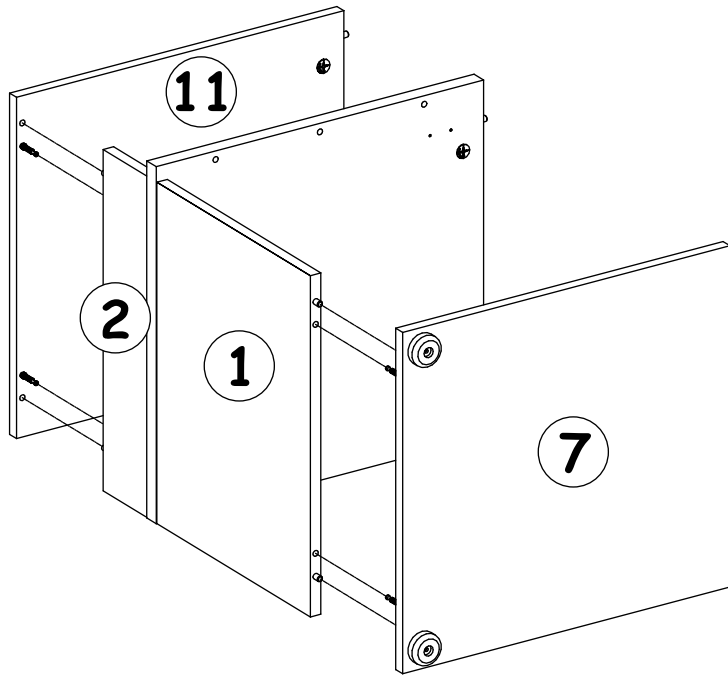
23

B6	
x2	Ø7x76

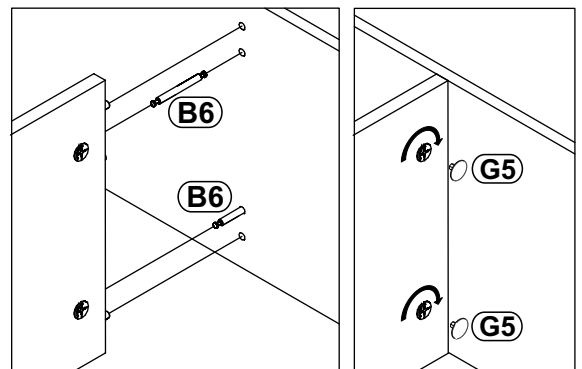
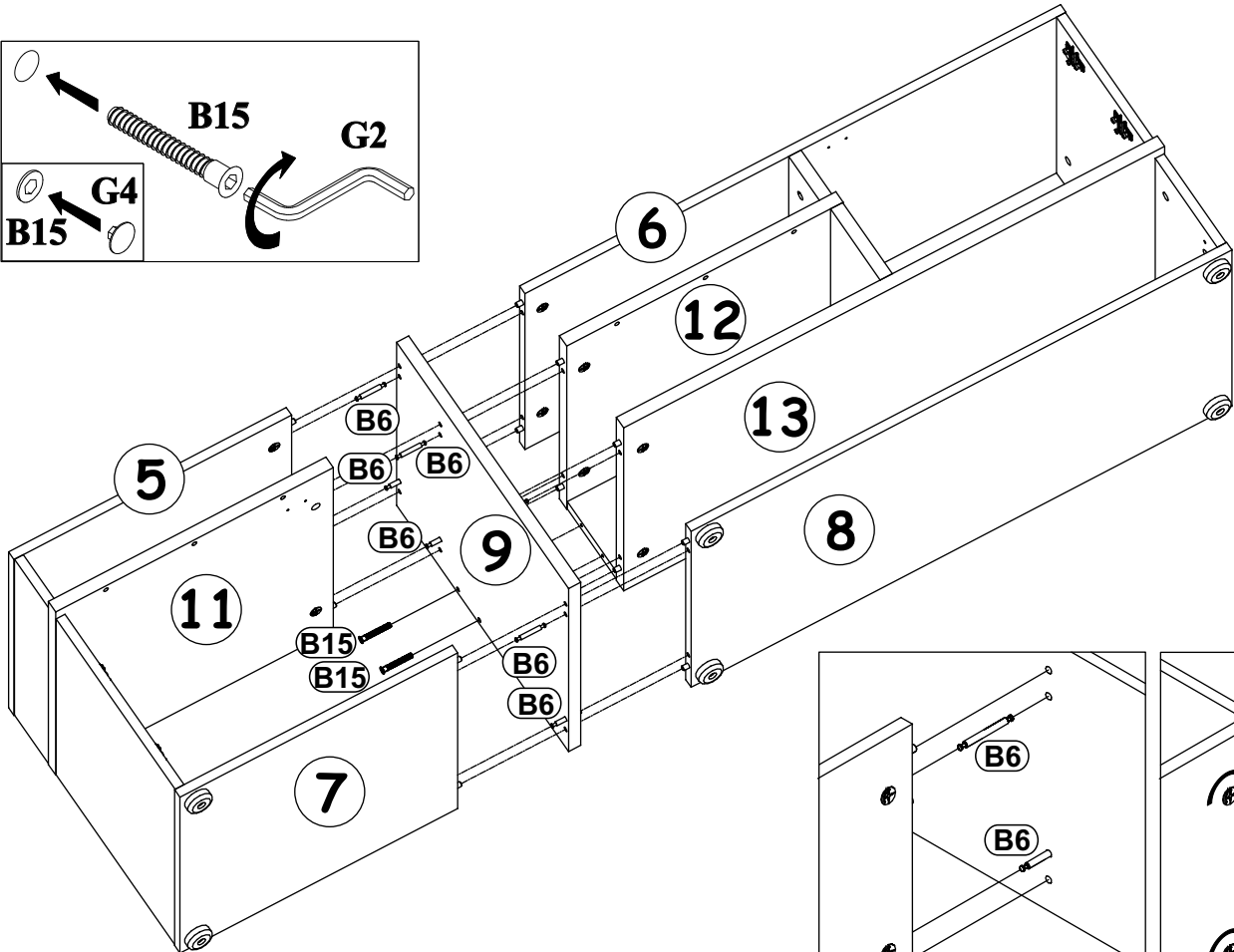
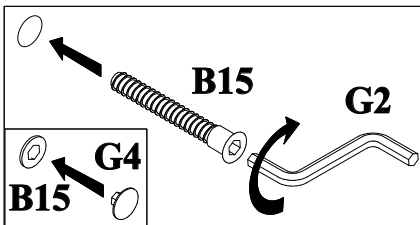
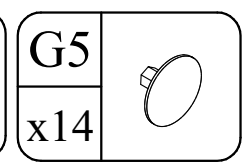
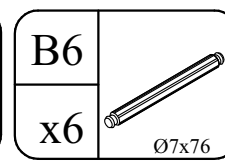
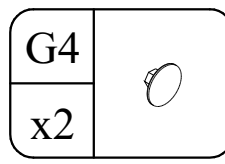
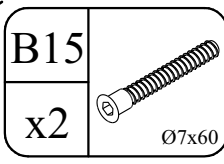
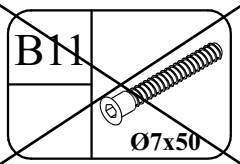
G5	
x4	

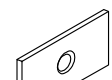
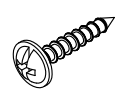


24

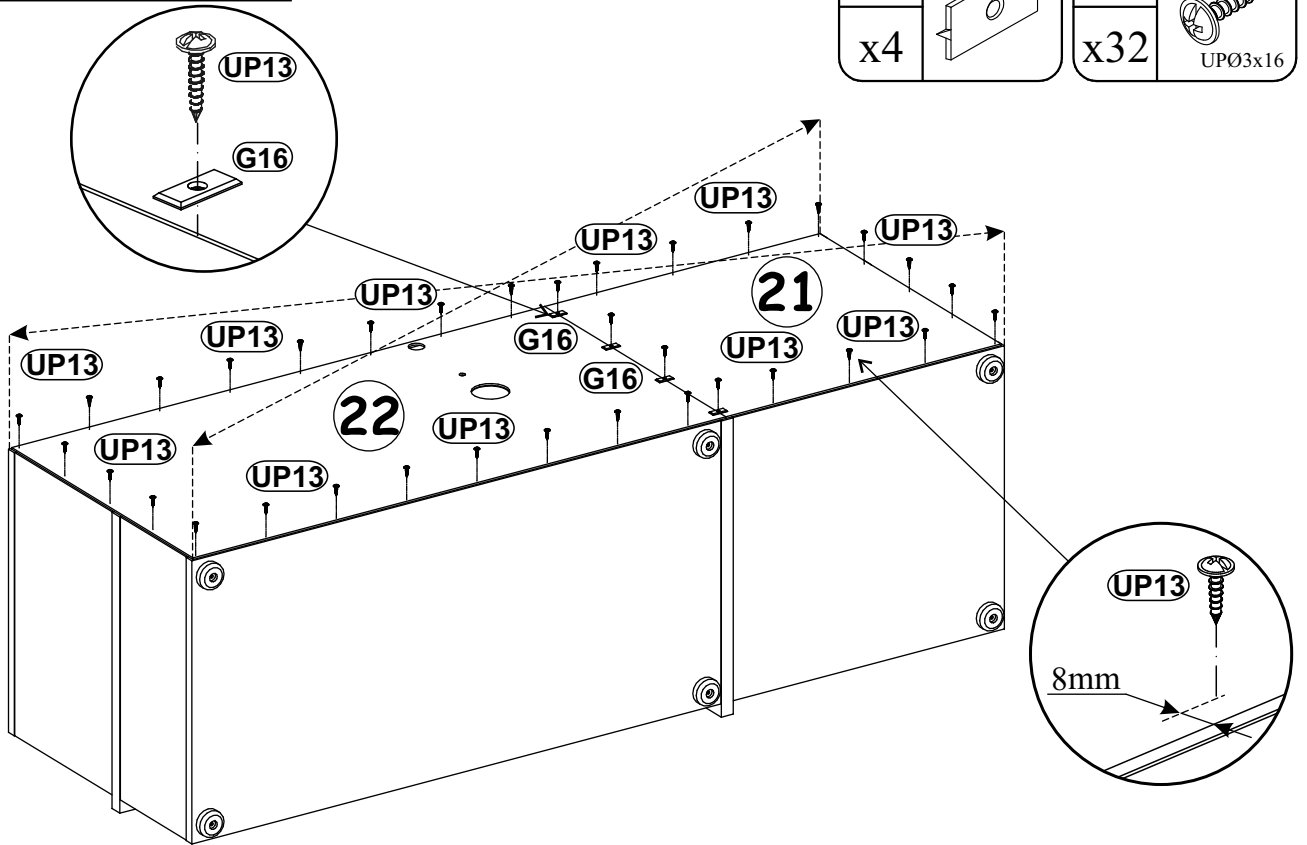


25

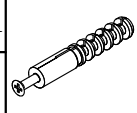
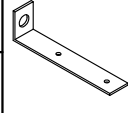



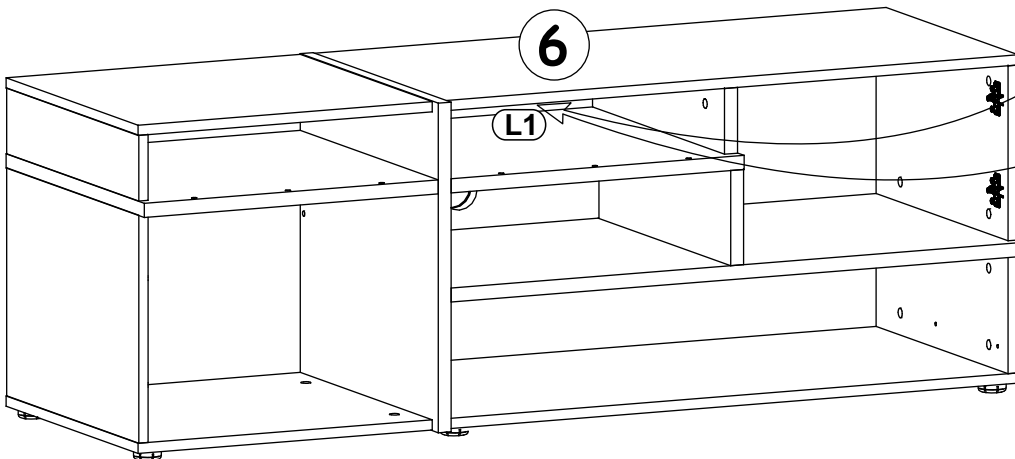
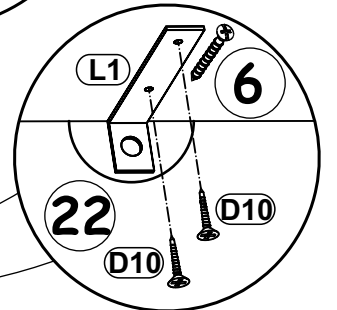
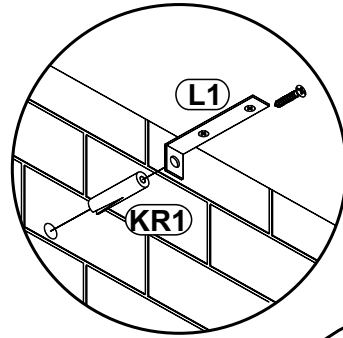
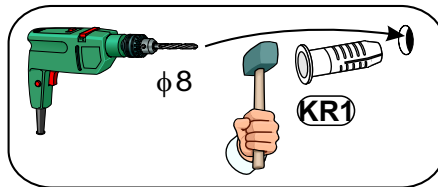
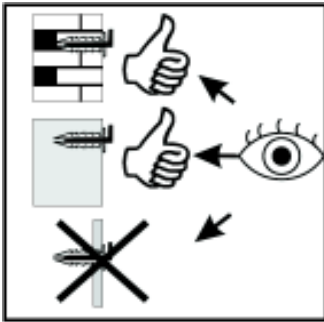
G16		UP13	
x4		x32	UP03x16

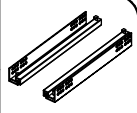
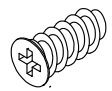
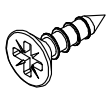



26

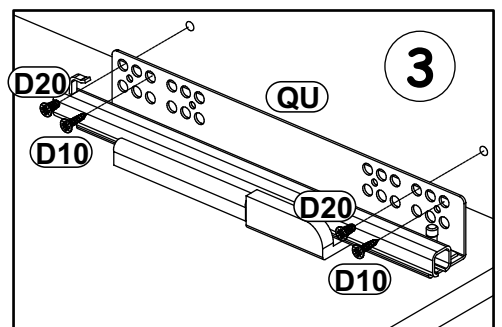
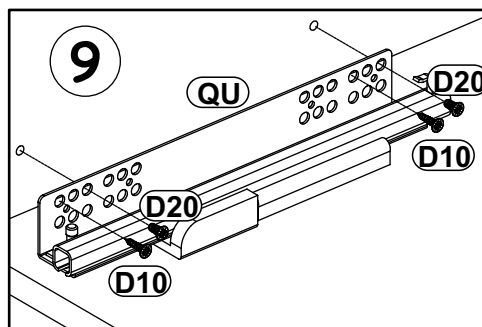
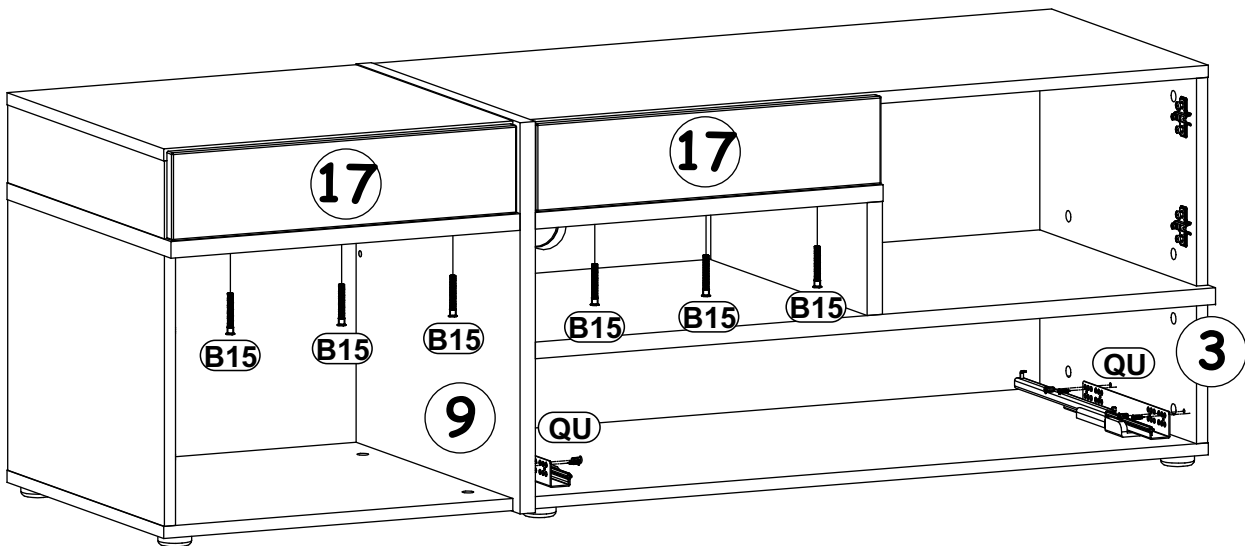
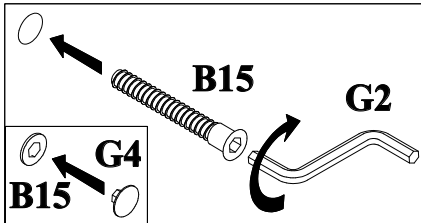


27

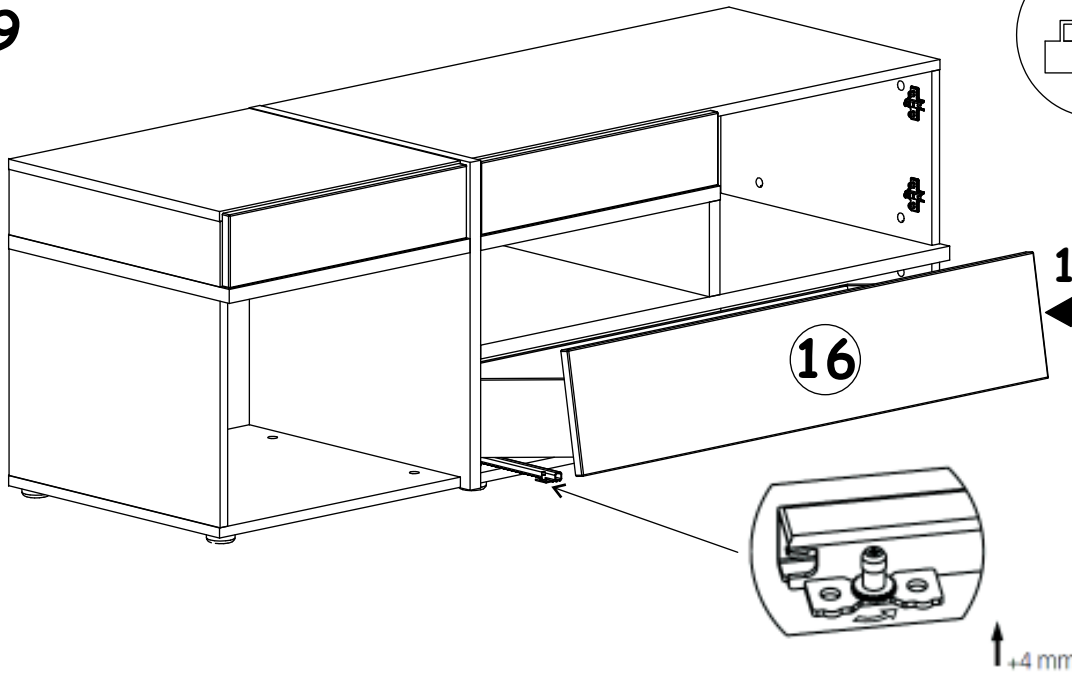
KR1		L1		D10	
x1		x1		x2	US03,5x13



QU x1	 L-400mm	D20 x4	 ESØ6,3x9,5	D10 x4	 USØ3,5x13
B11	 Ø7x50	B15 x6	 Ø7x60	G4 x6	



29



30

