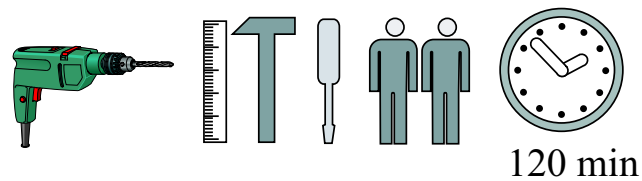
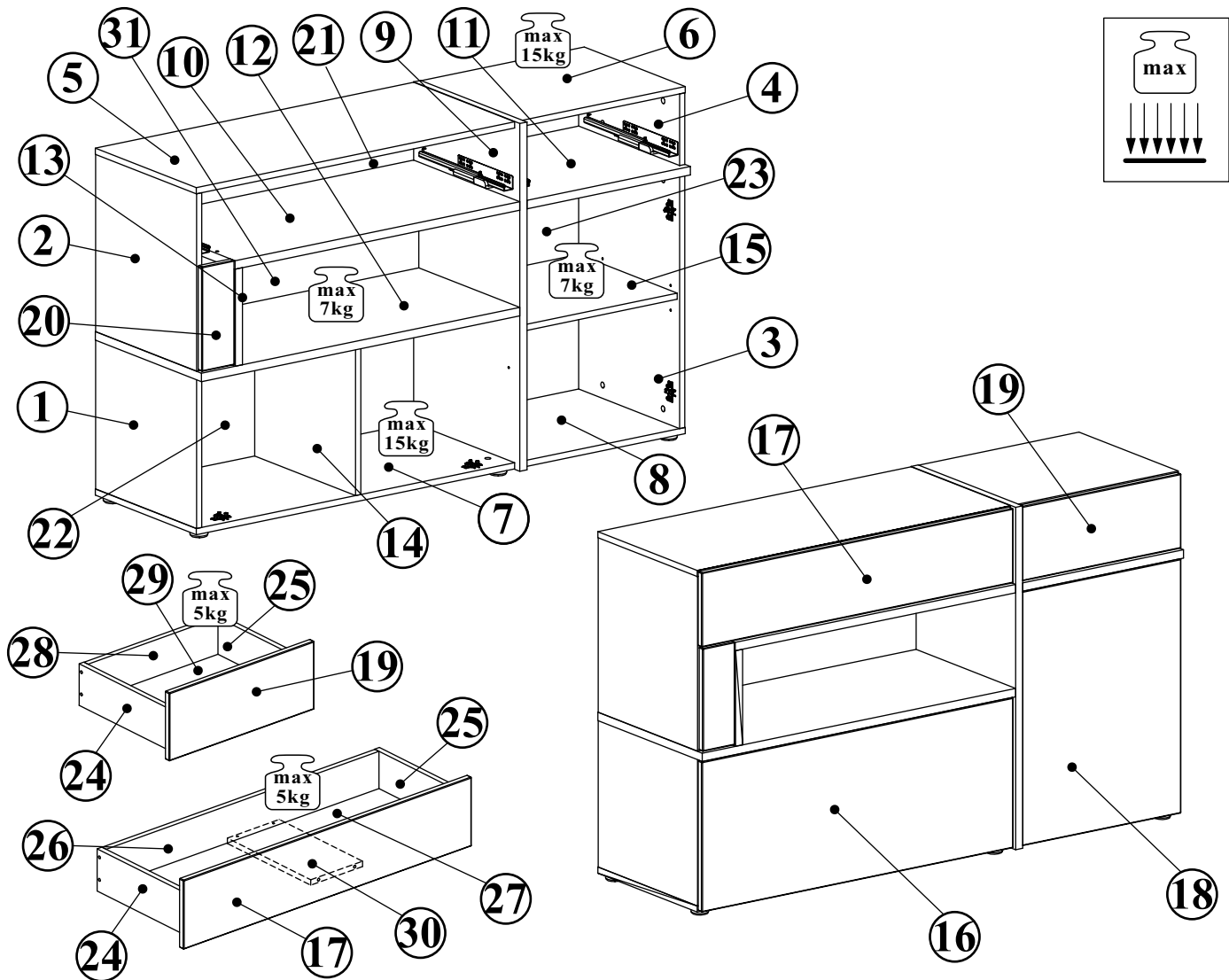
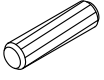
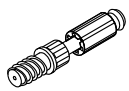




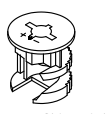
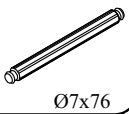
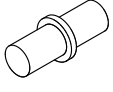
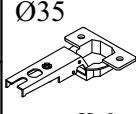
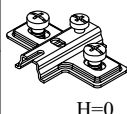
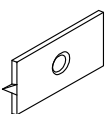
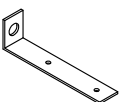
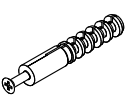
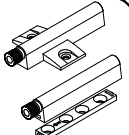
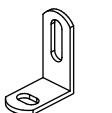







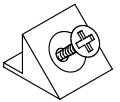

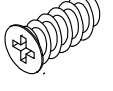
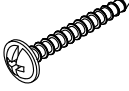
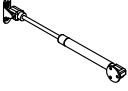
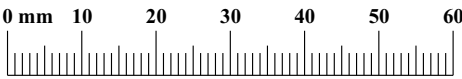


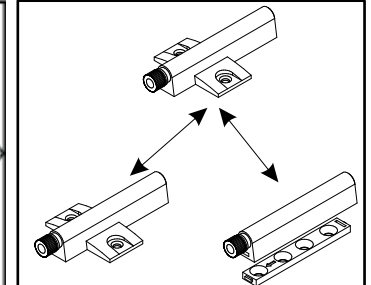
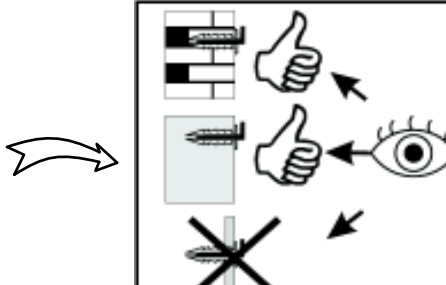
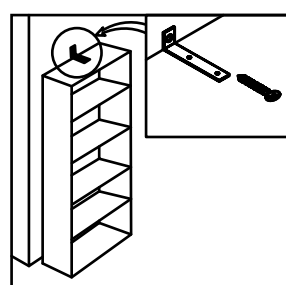
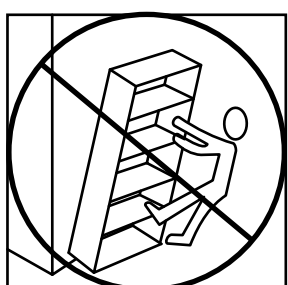
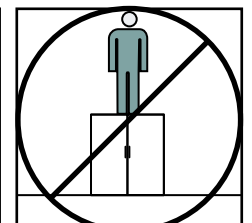
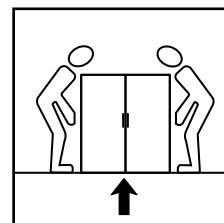
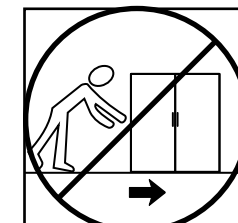
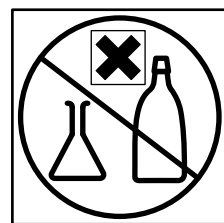
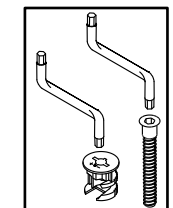
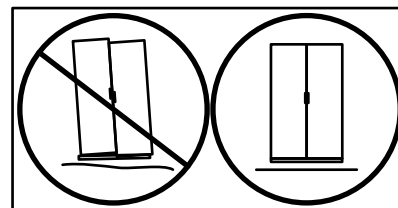
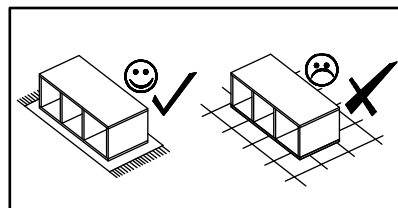
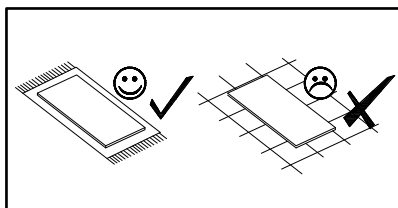
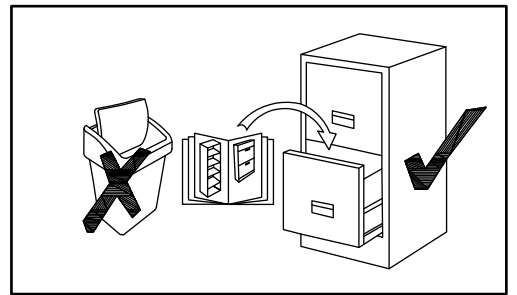
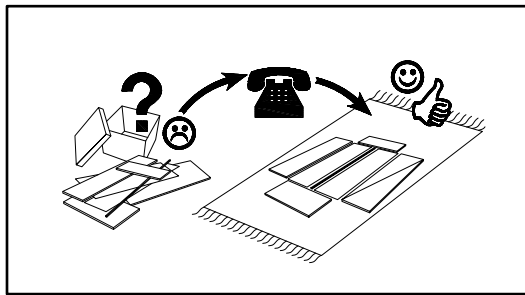
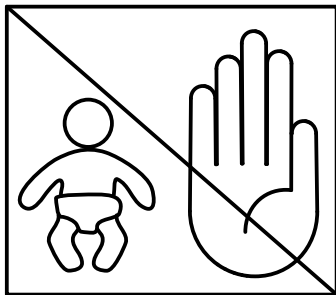
# CROSS 28 \*\* CS SB



NO	Dim.			Qty	Qty	NO	Dim.			Qty	Qty
1	386	427	16	1	1	9	902	449	22	2	1
2	460	427	16	1	1	10	875	449	22	2	1
3	660	427	16	1	1	11	502	449	22	2	1
4	186	427	16	1	1	12	978	449	22	2	1
5	978	427	16	1	1	13	252	449	22	2	1
6	502	427	16	1	1	31	851	251	22	2	1
7	978	427	16	1	1	16	972	396	16	3	1
8	502	427	16	1	1	17	972	196	16	3	1
14	386	427	16	1	1	18	670	496	16	3	1
15	485	417	16	1	1	19	496	196	16	3	1
24	350	120	16	3	2	20	271	100	16	3	1
25	350	120	16	3	2	21	484	985	3	3	1
26	921	106	16	3	1	22	985	410	3	3	1
28	445	106	16	3	1	23	894	510	3	3	1
30	349	184	16	3	1	27	354	933	3	3	1
						29	354	457	3	3	1

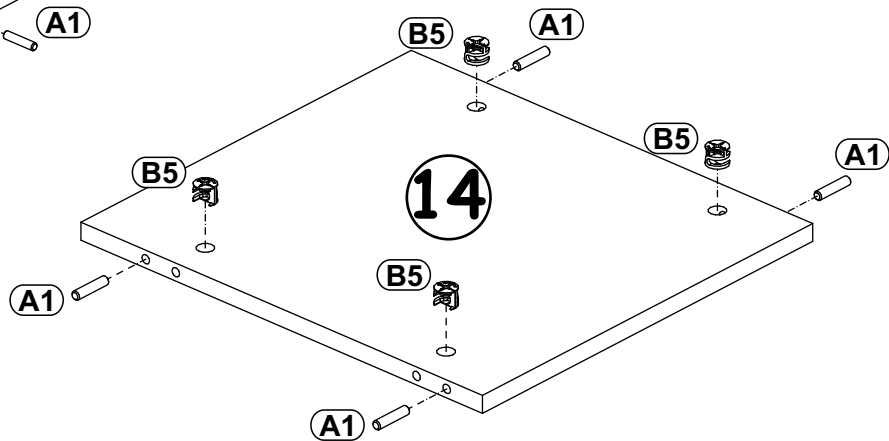
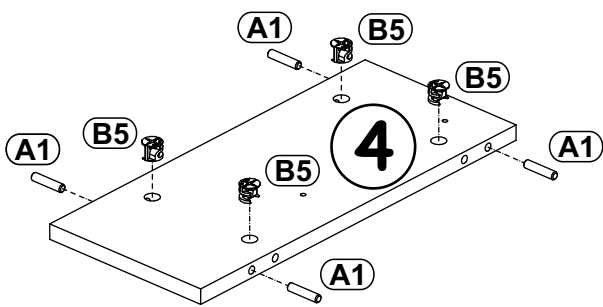
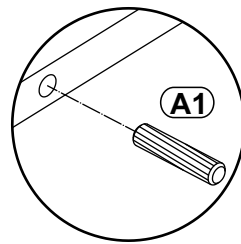
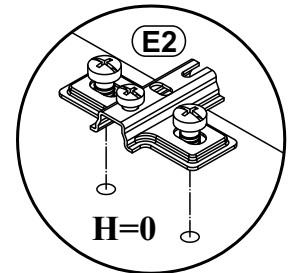
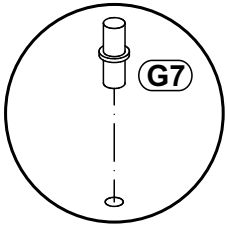
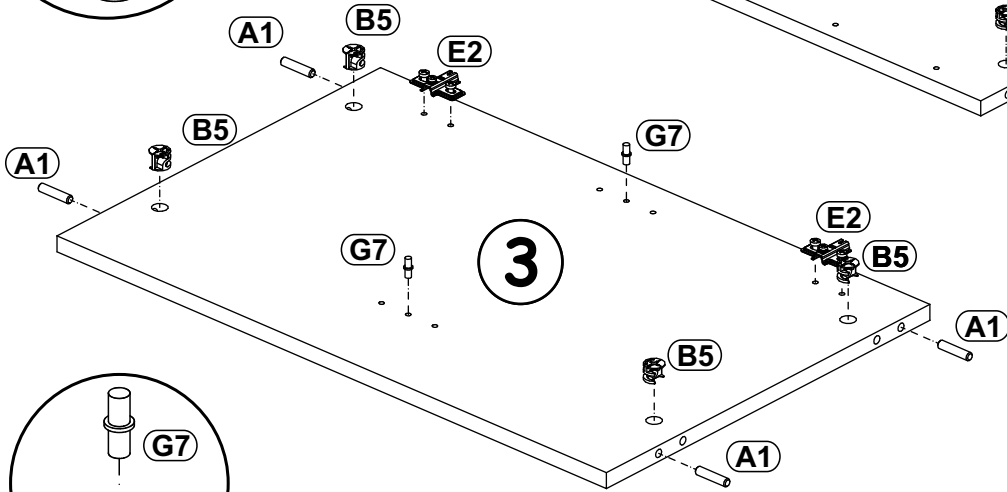
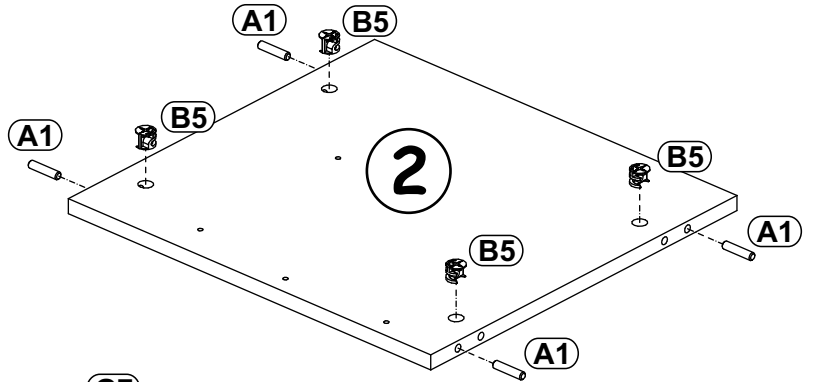
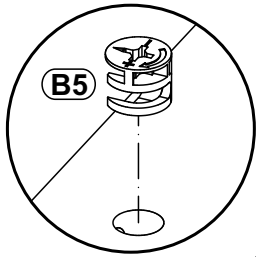
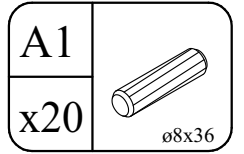
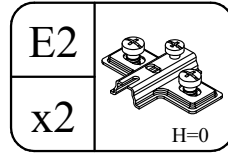
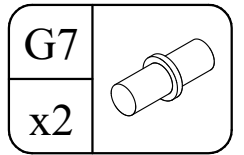
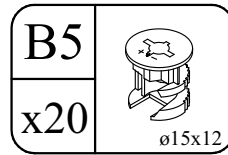
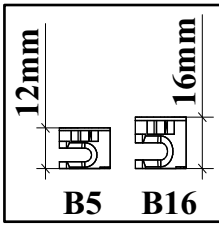
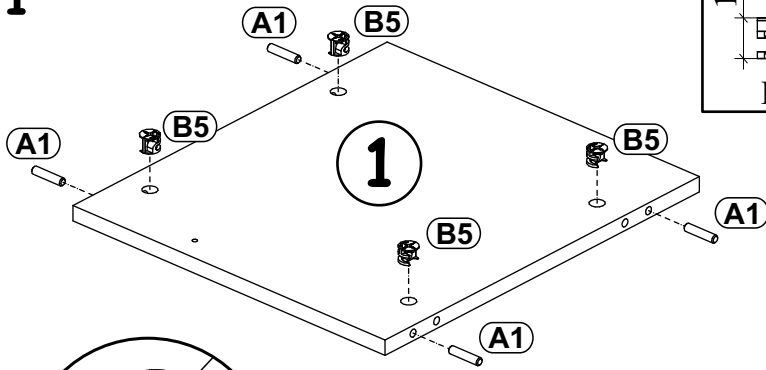
# CROSS 28 \*\* CS SB

A1 x48  ø8x36	B4 x18 	B5 x32  ø15x12	G5 x38 	B15 x8  Ø7x60	G4 x16 
B16 x6  Ø15x16	B6 x10  Ø7x76	G7 x6 	E21 x4  Ø35 H=0	E2 x4  H=0	G16 x13 
L1 x2 	KR1 x2 	T3/T5 x2 	L6 x2 	D31 x4  EKØ6,3x13	UP13 x60  UPØ3x16
D10 x24  USØ3,5x13	UP15 x6  UPØ4x25	I11 x6  Ø45, h=15	G2 x1 	B11 x8  Ø7x50	S1 x3 
QU x2  L-350	D20 x8  ESØ6,3x9,5	UP6 x2  UPØ4x30	BP1 x2 		

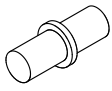


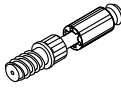
CROSS 28 \*\* CS SB

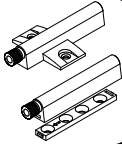
1




CROSS 28 \*\* CS SB

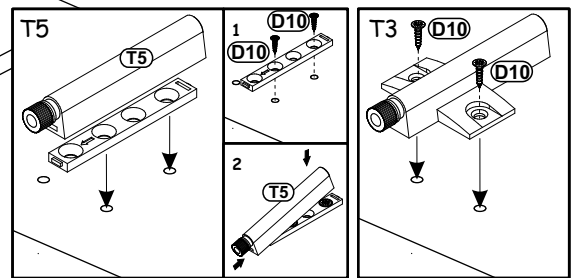
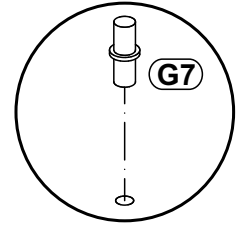
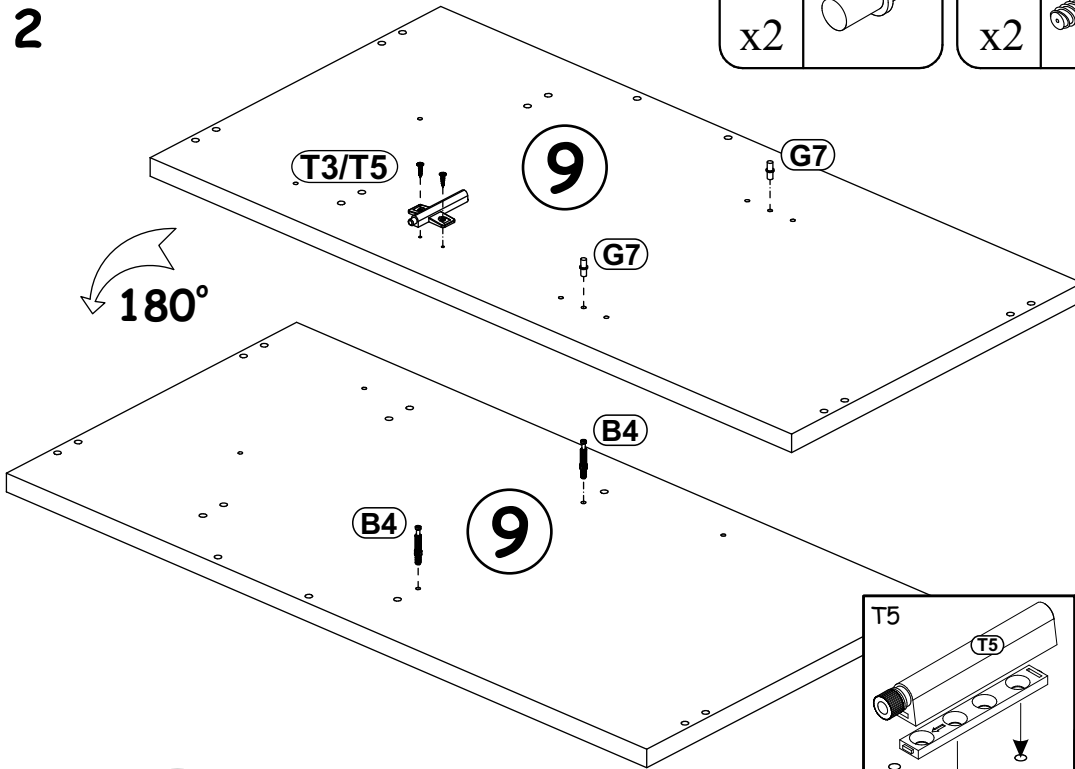
G7	
x2	

B4	
x2	

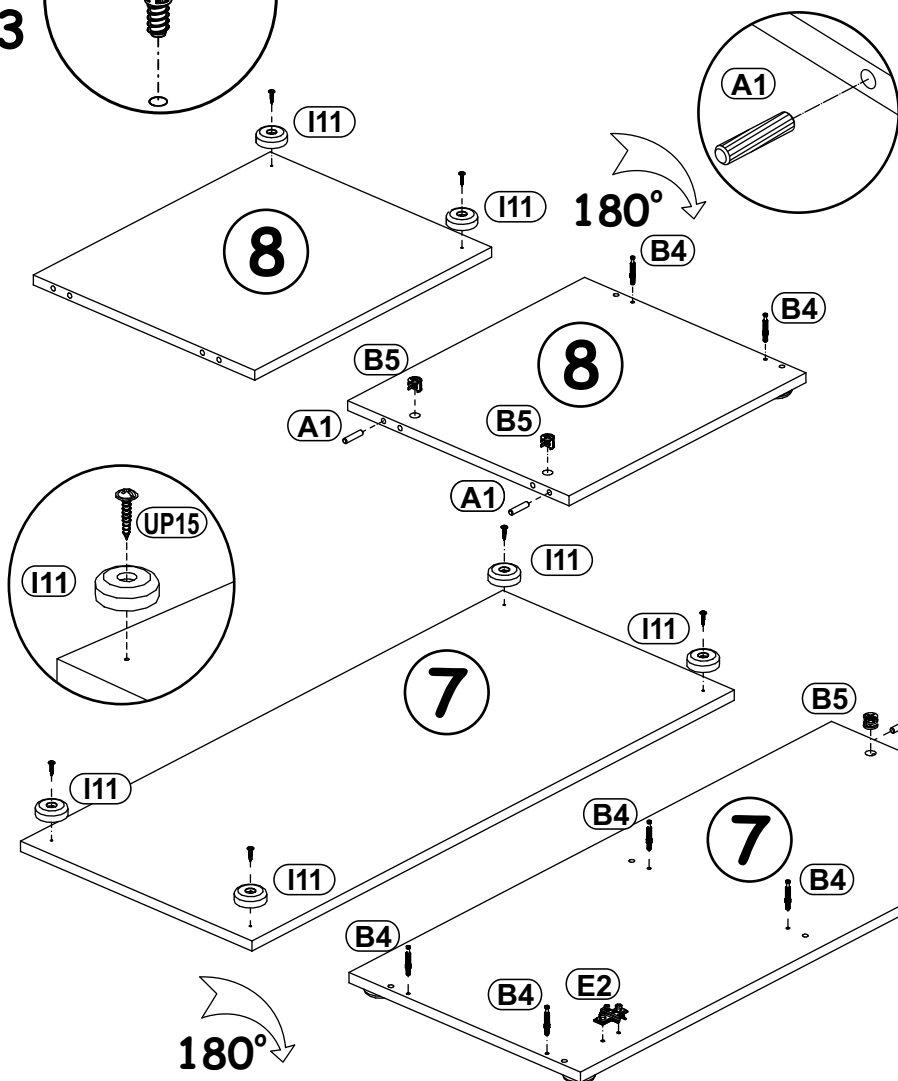
T3/T5	
x1	

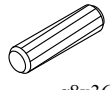
D10	
x2	USØ3,5x13


2

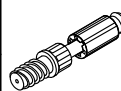


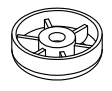
3

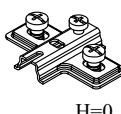



A1	
x4	ø8x36

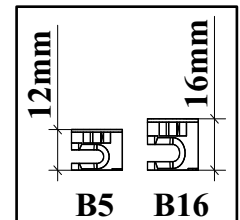
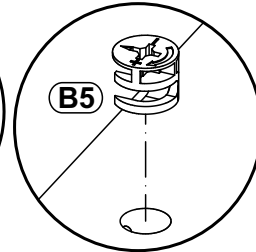
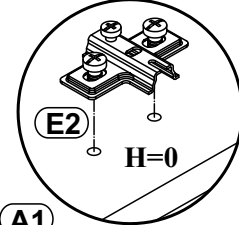
UP15	
x6	UPØ4x25

B4	
x6	

I11	
x6	Ø45, h=15

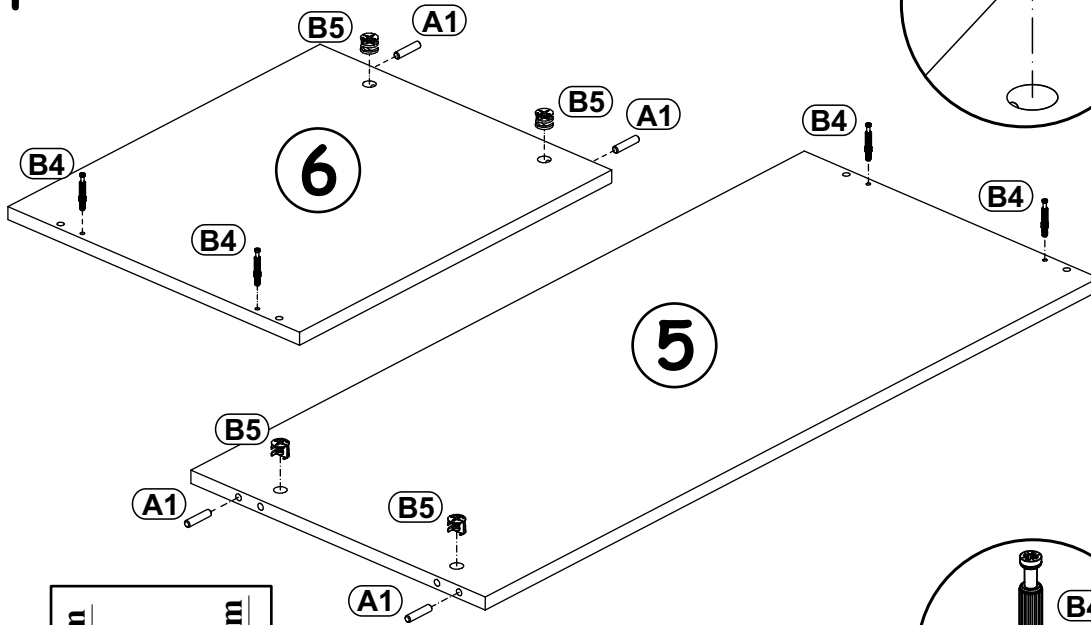
E2	
x2	H=0

B5	
x4	ø15x12



CROSS 28 \*\* CS SB

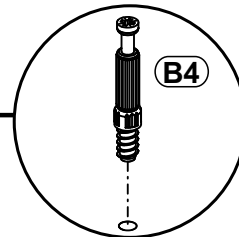
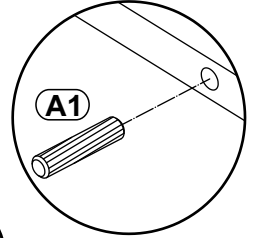
4



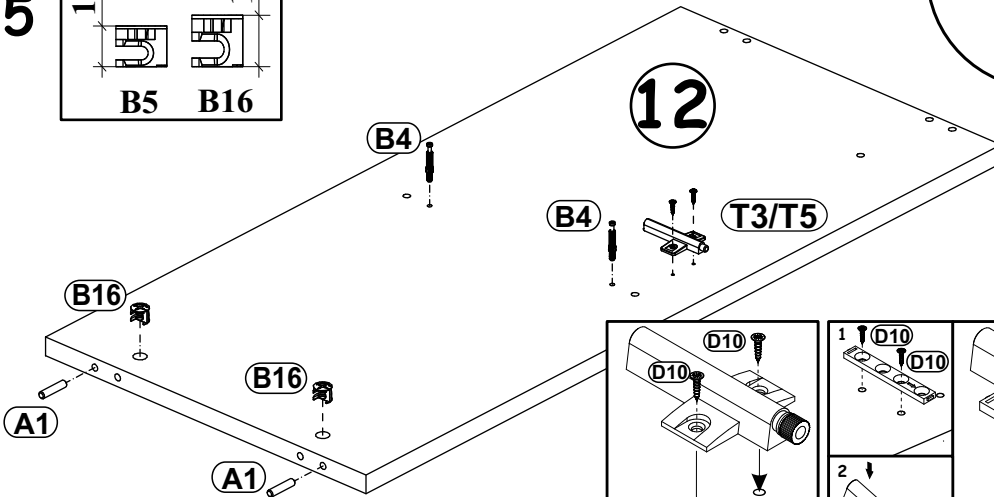
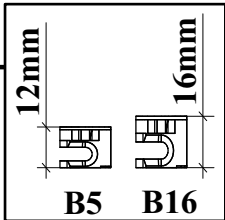
B5	
x4	ø15x12

A1	
x4	ø8x36

B4	
x4	



5

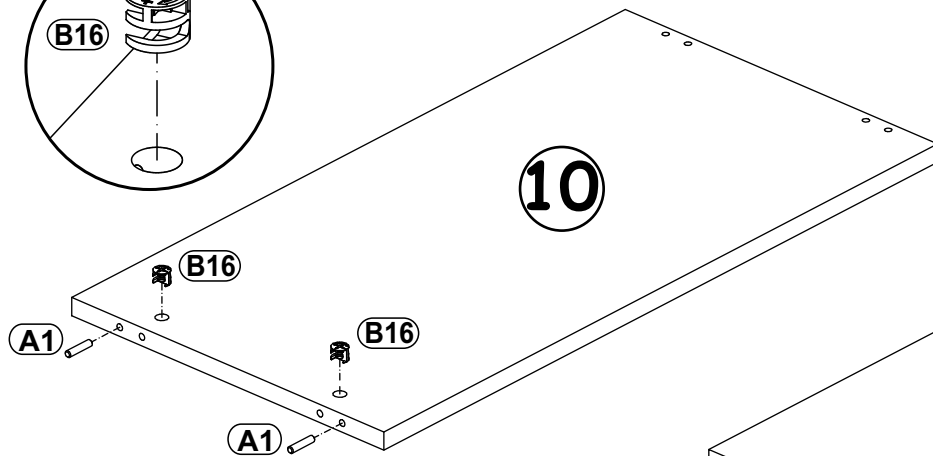
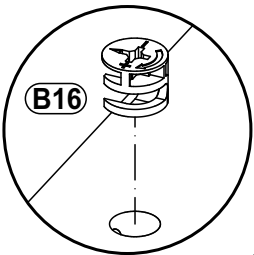
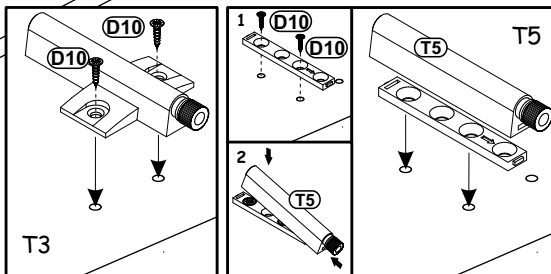


T3/T5	
x1	

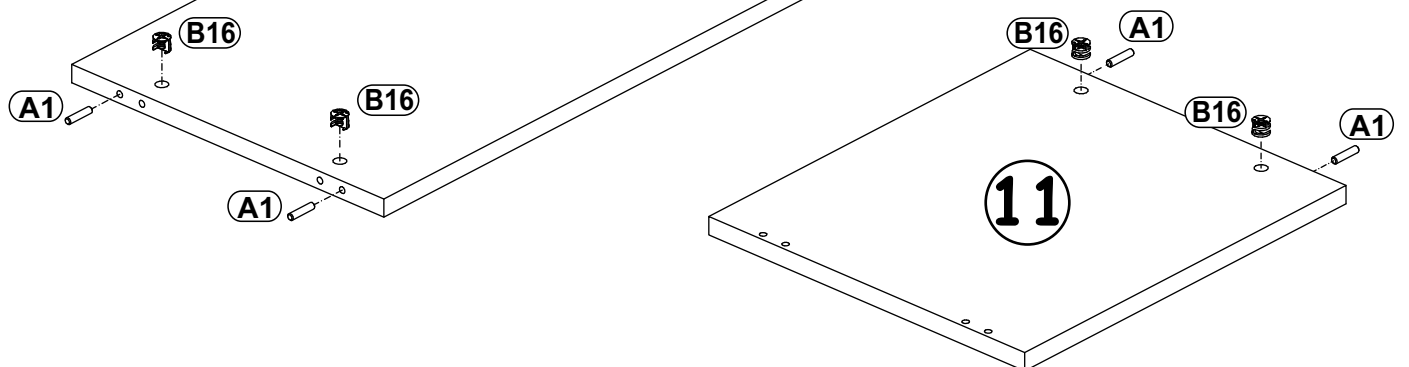
D10	
x2	USØ3,5x13

A1	
x6	ø8x36

B4	
x2	



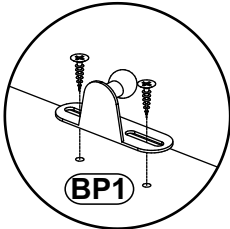
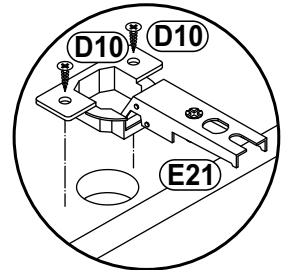
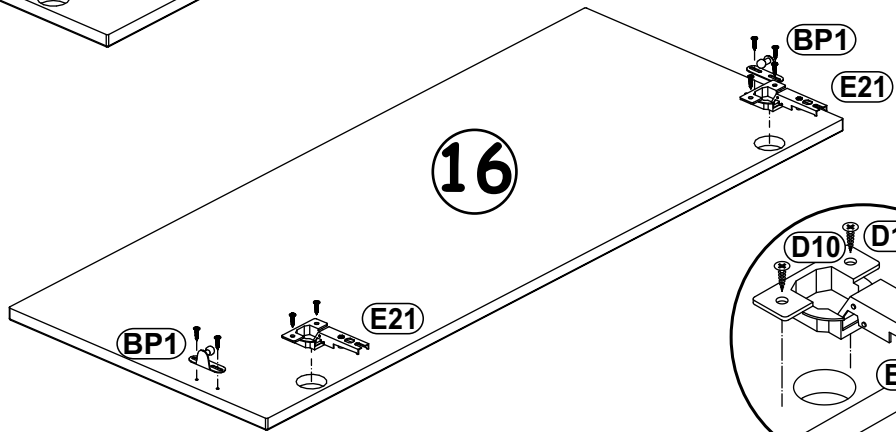
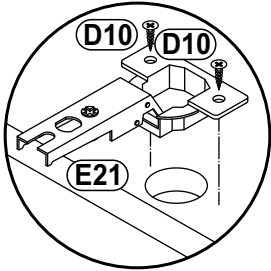
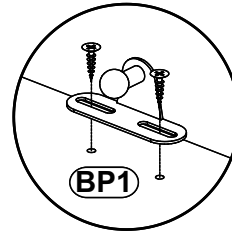
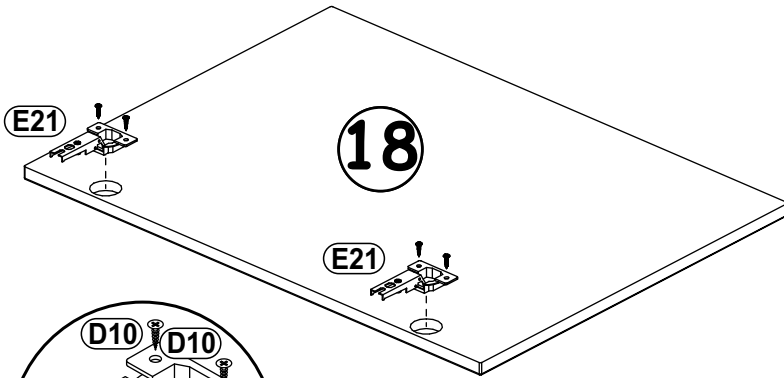
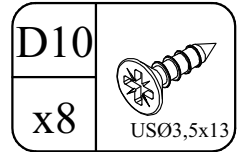
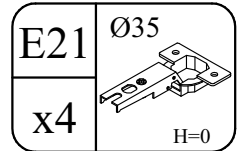
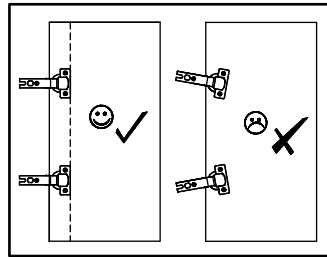
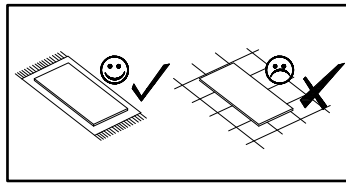
B16	
x6	Ø15x16



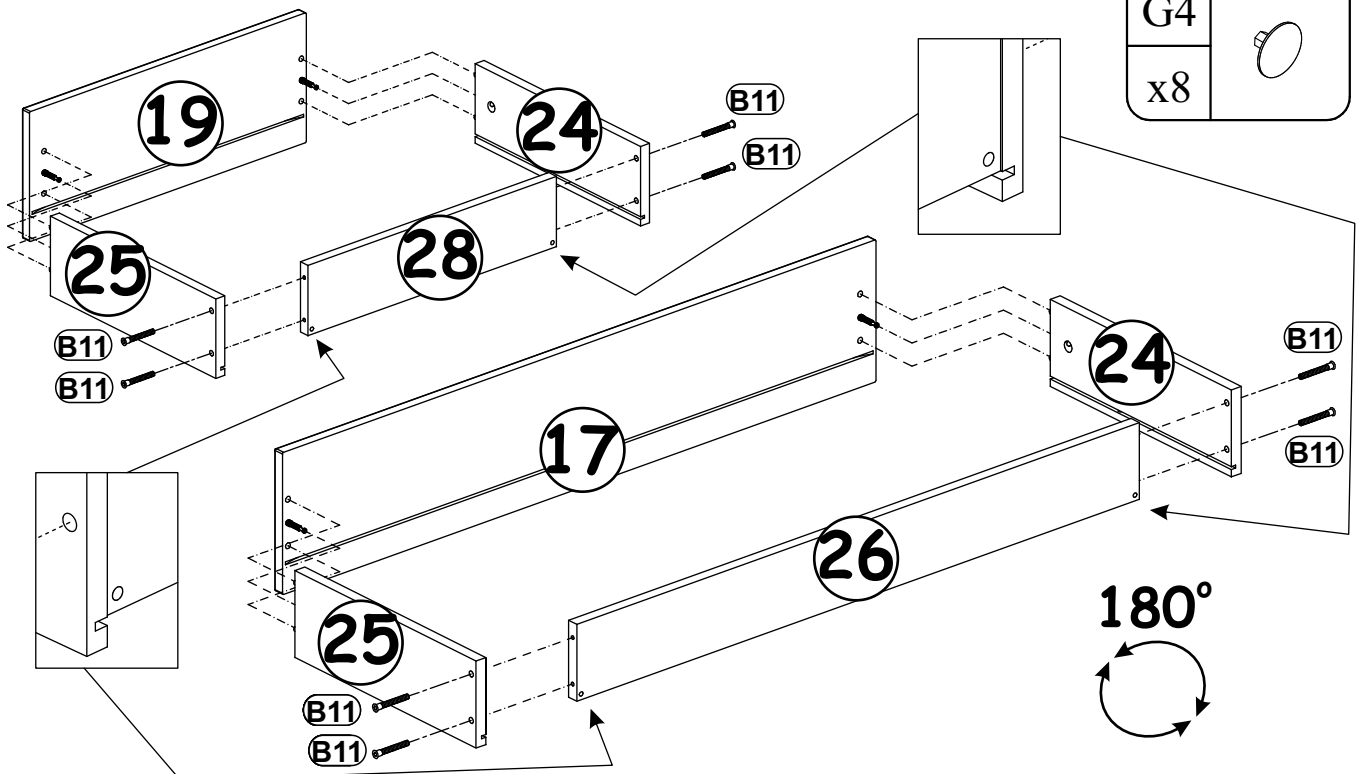
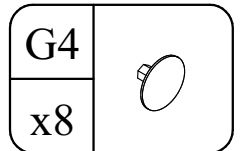
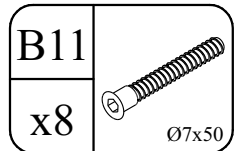
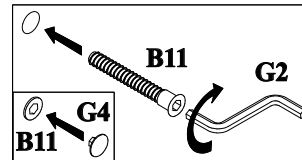
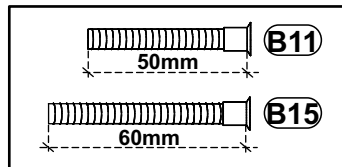


CROSS 28 \*\* CS SB

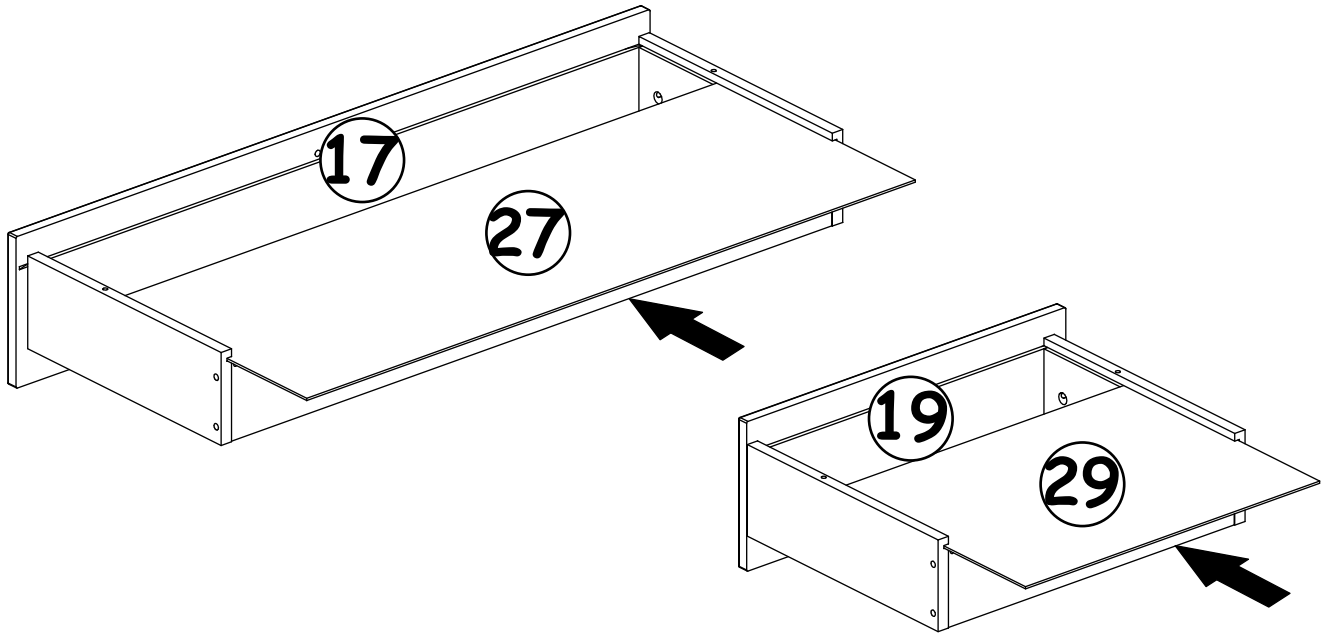
7



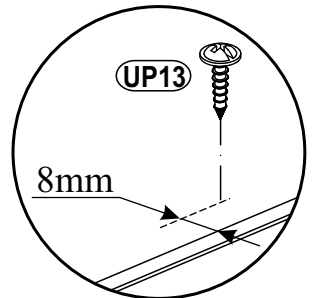
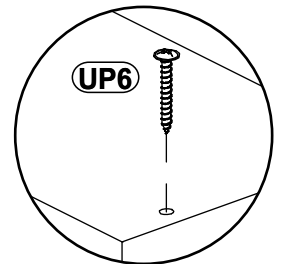
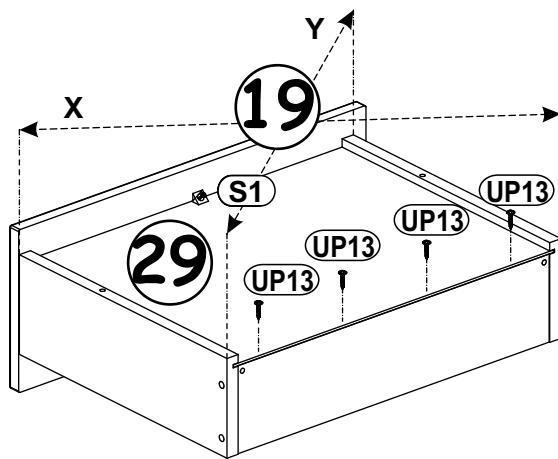
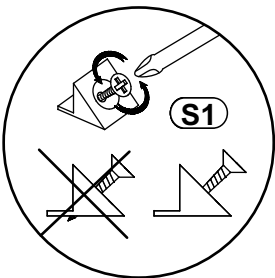
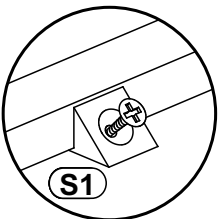
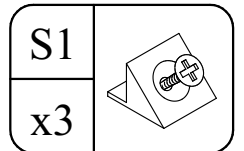
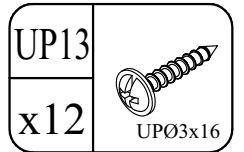
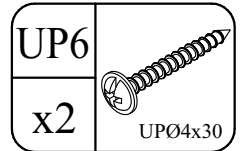
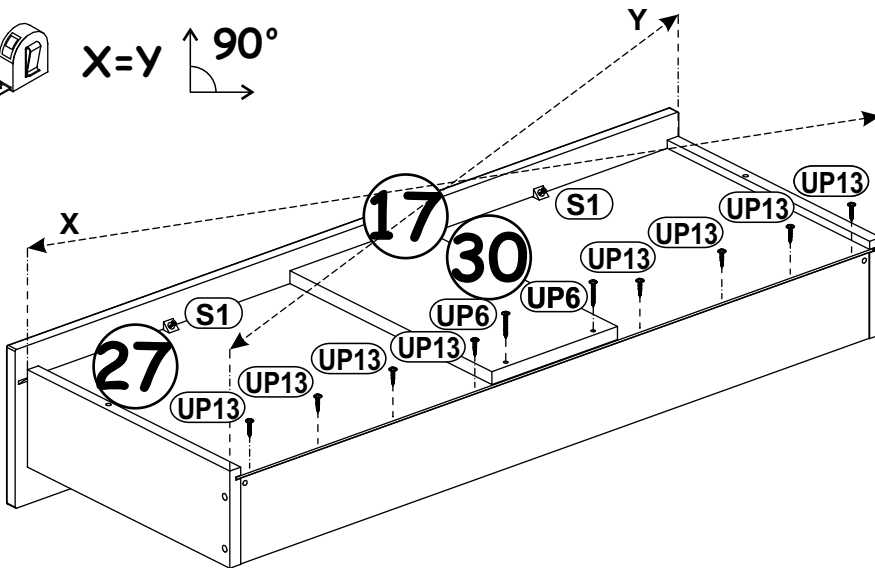
8



9



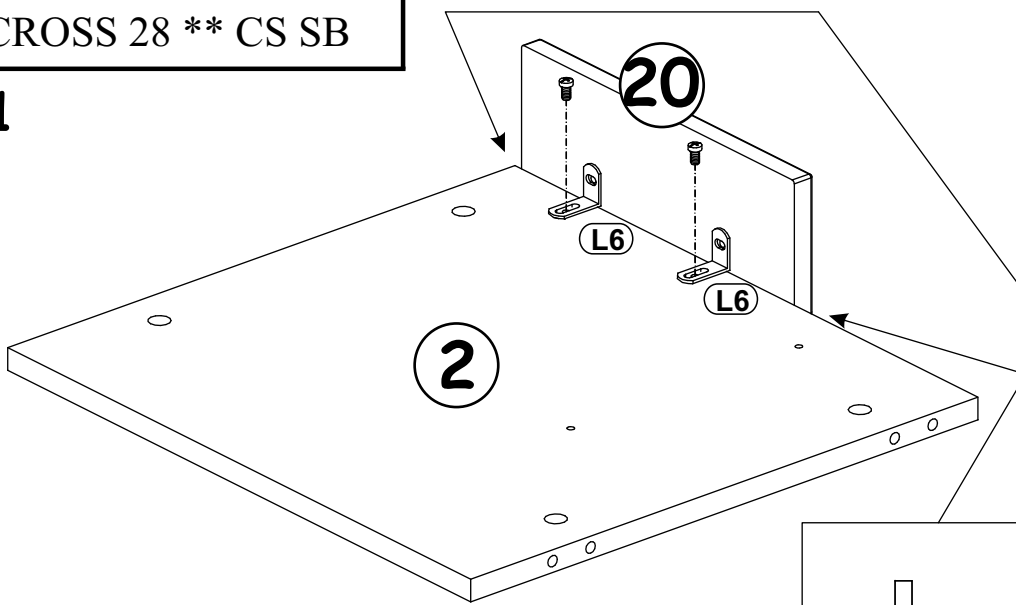
10



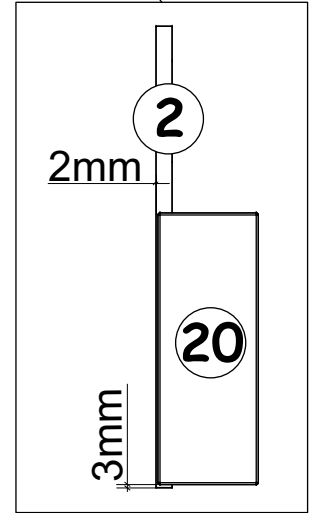
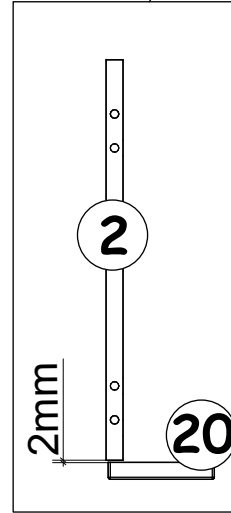
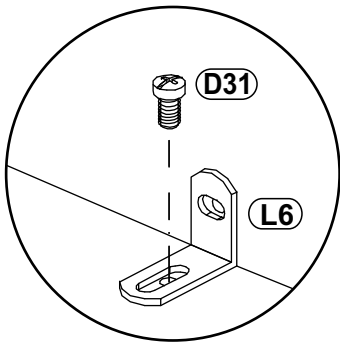


CROSS 28 \*\* CS SB

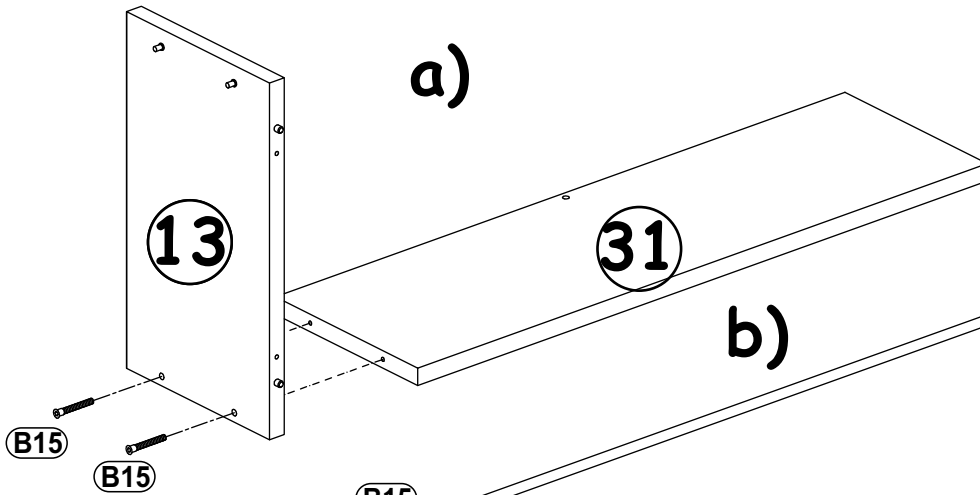
11



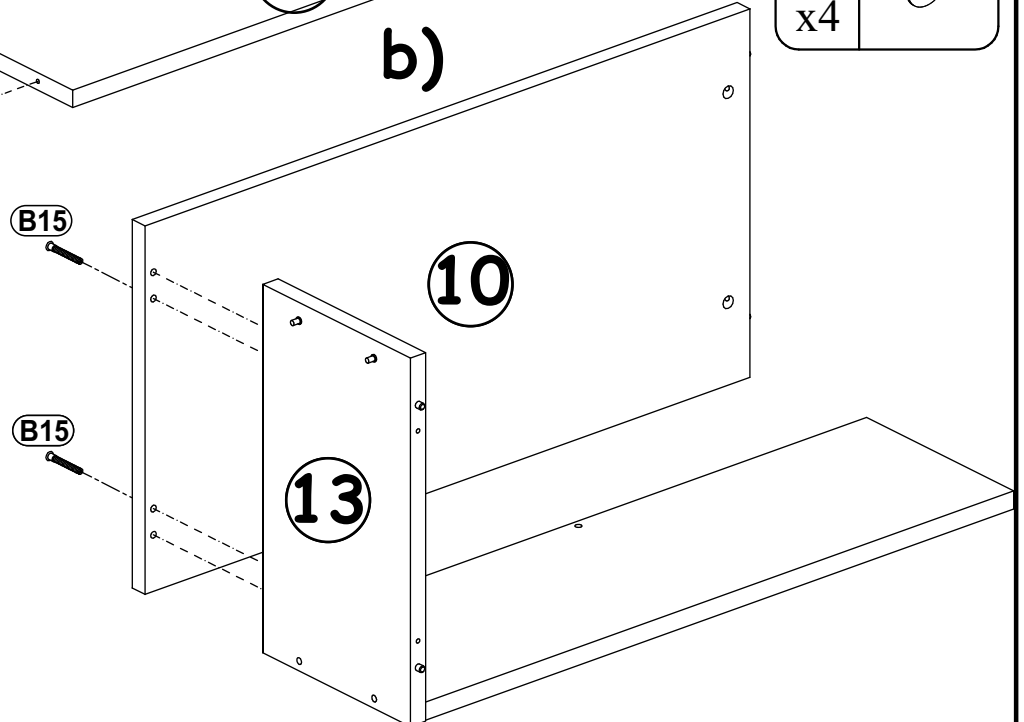
D31	
x2	EKØ6,3x13



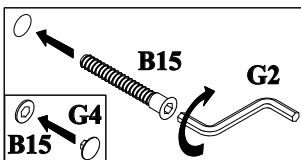
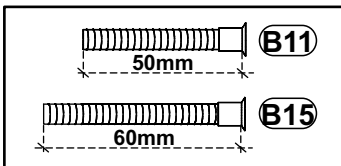
12



B15	
x4	Ø7x60



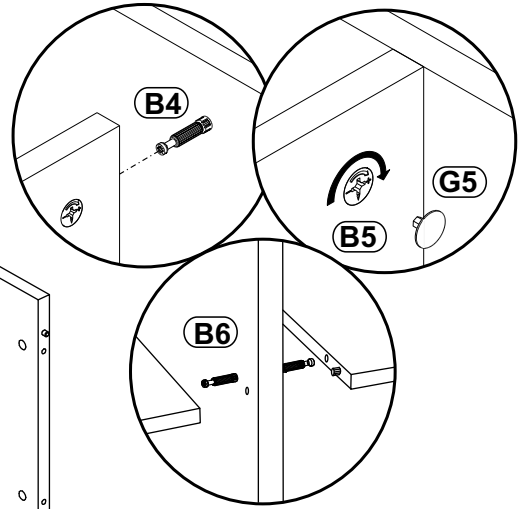
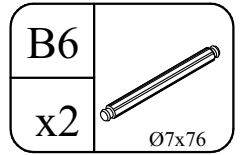
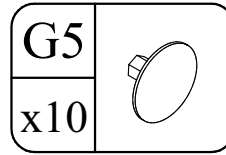
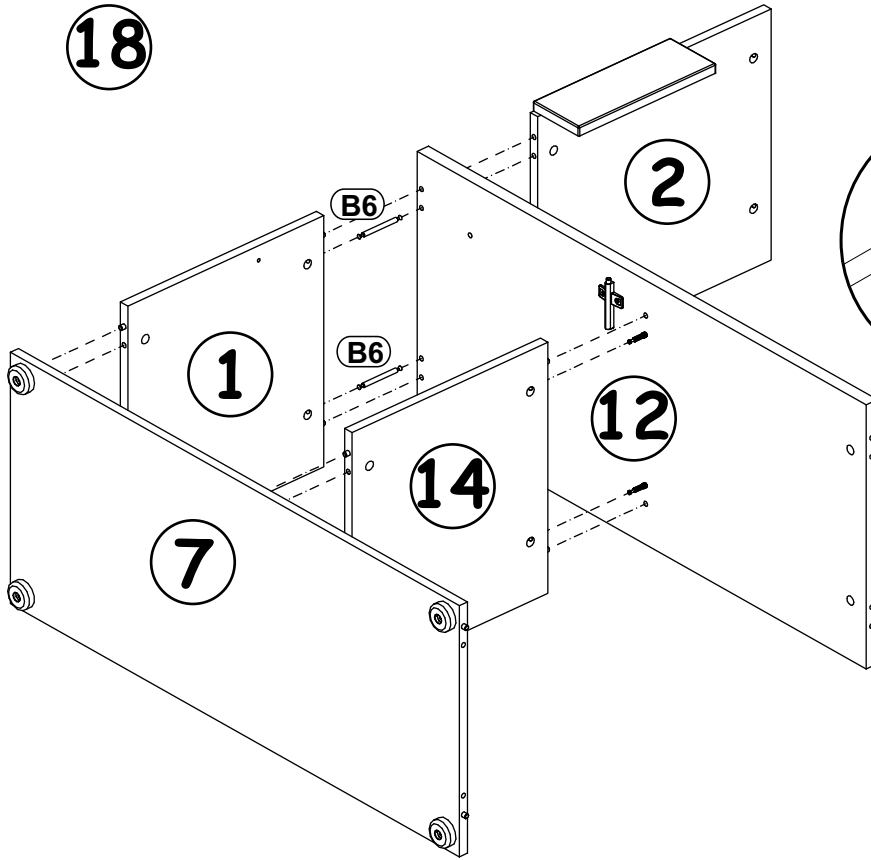
G4	
x4	



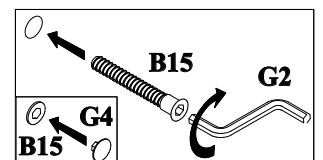
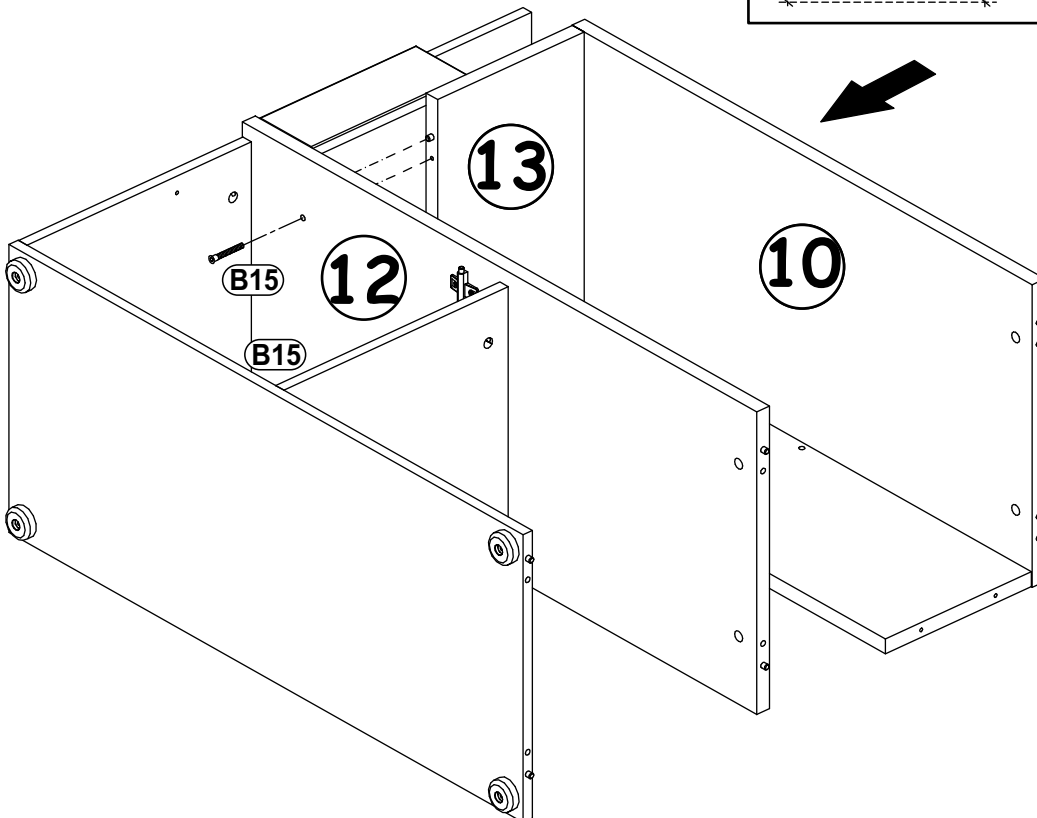
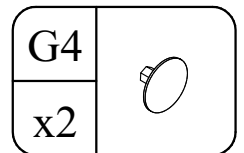
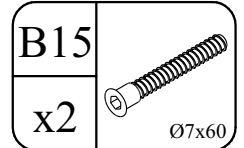
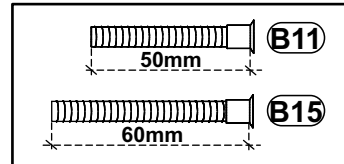
CROSS 28 \*\* CS SB

13

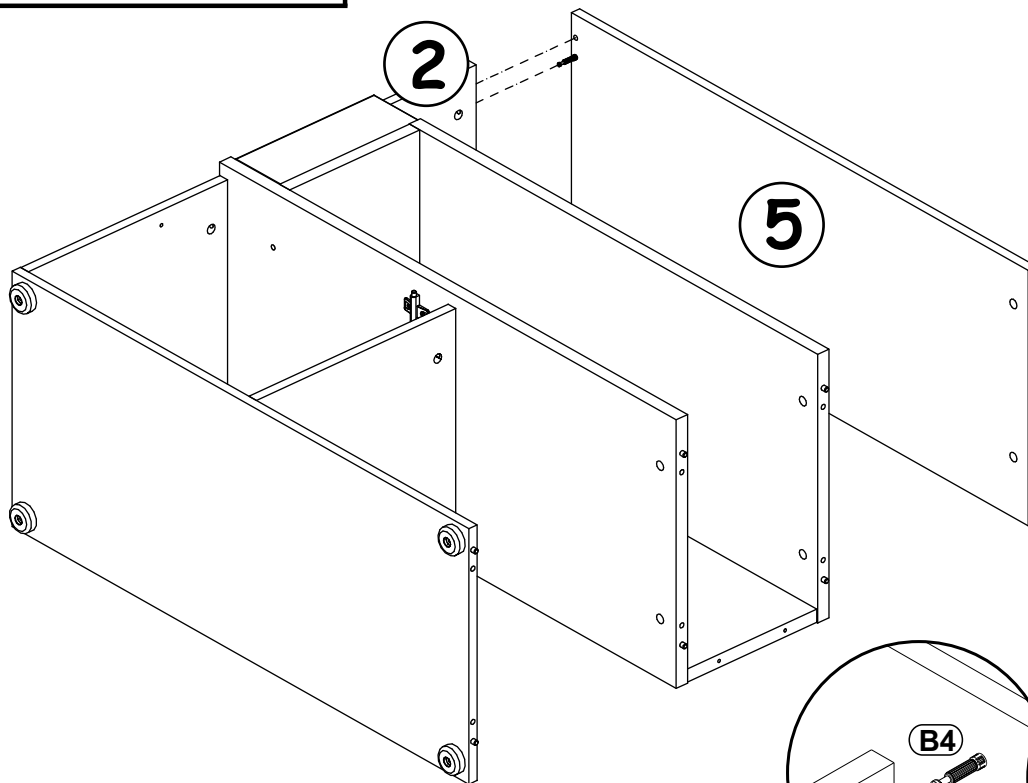
18




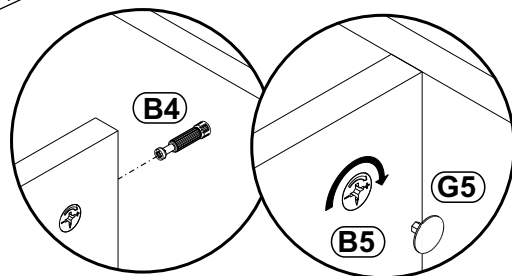
14



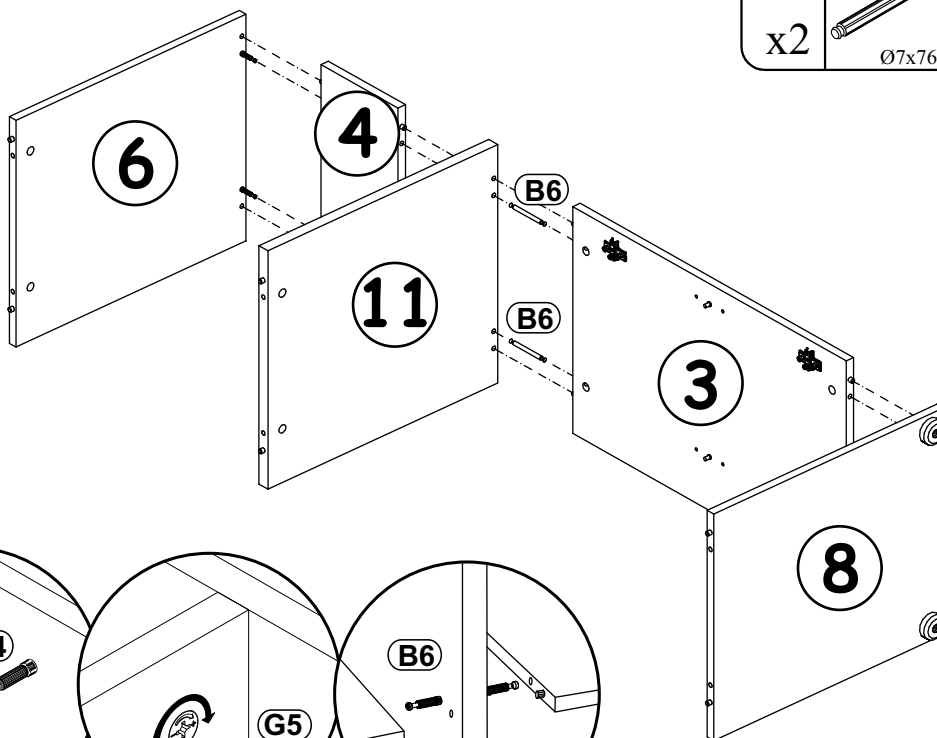
15

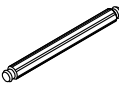



G5	
x4	

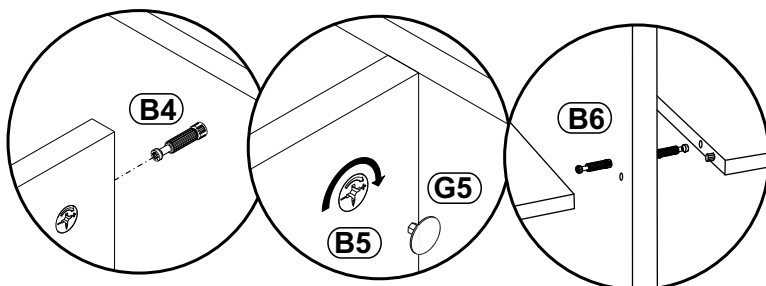


16




B6	
x2	Ø7x76


G5	
x8	





CROSS 28 \*\* CS SB

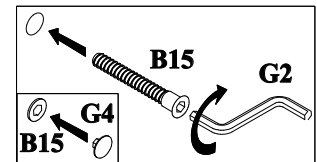
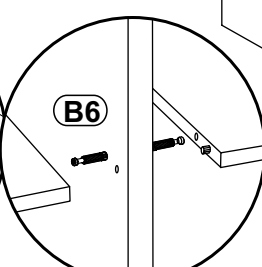
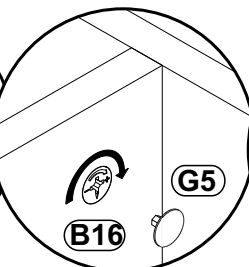
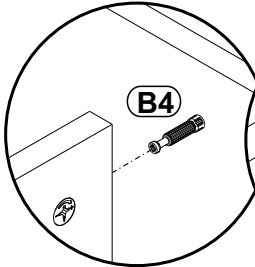
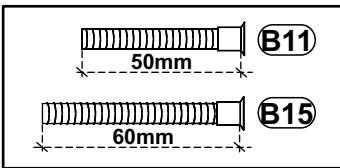
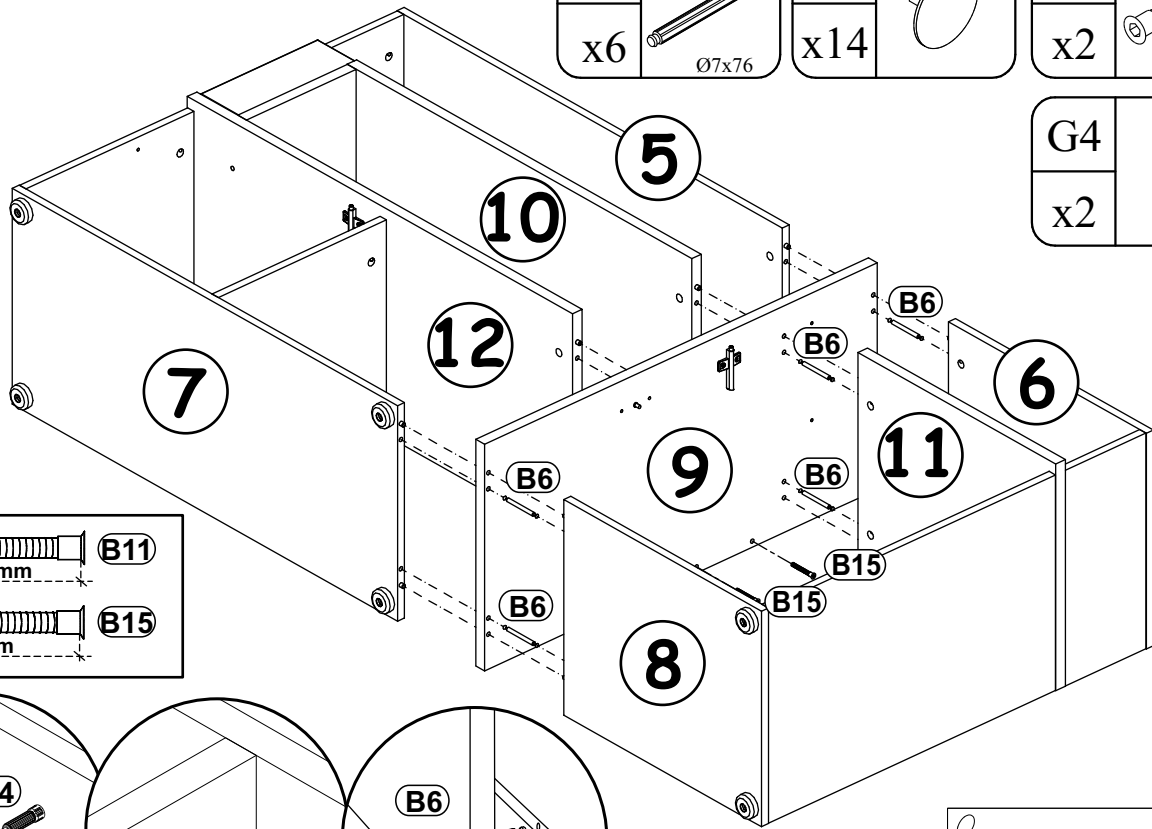
17

B6	
x6	Ø7x76


G5	
x14	

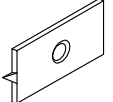
B15	
x2	Ø7x60

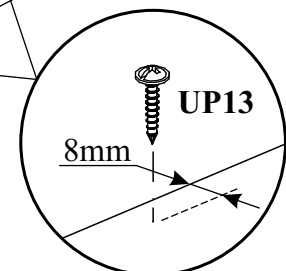
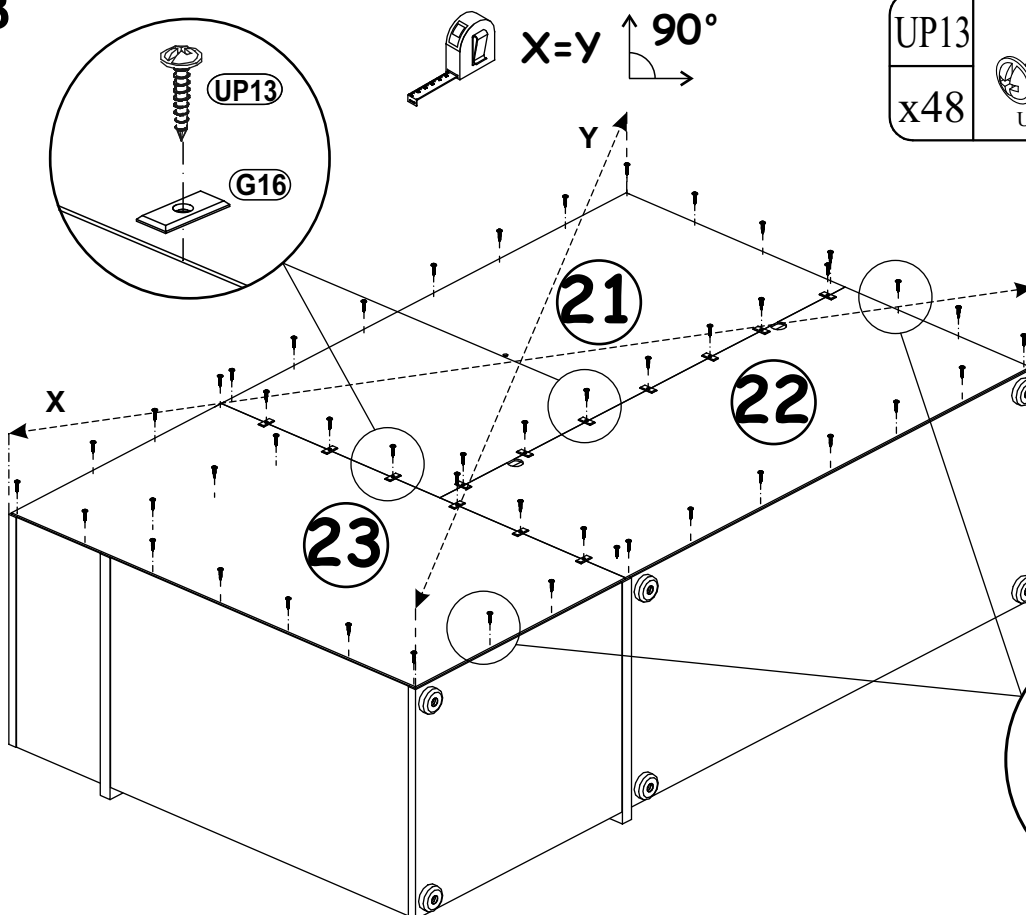
G4	
x2	



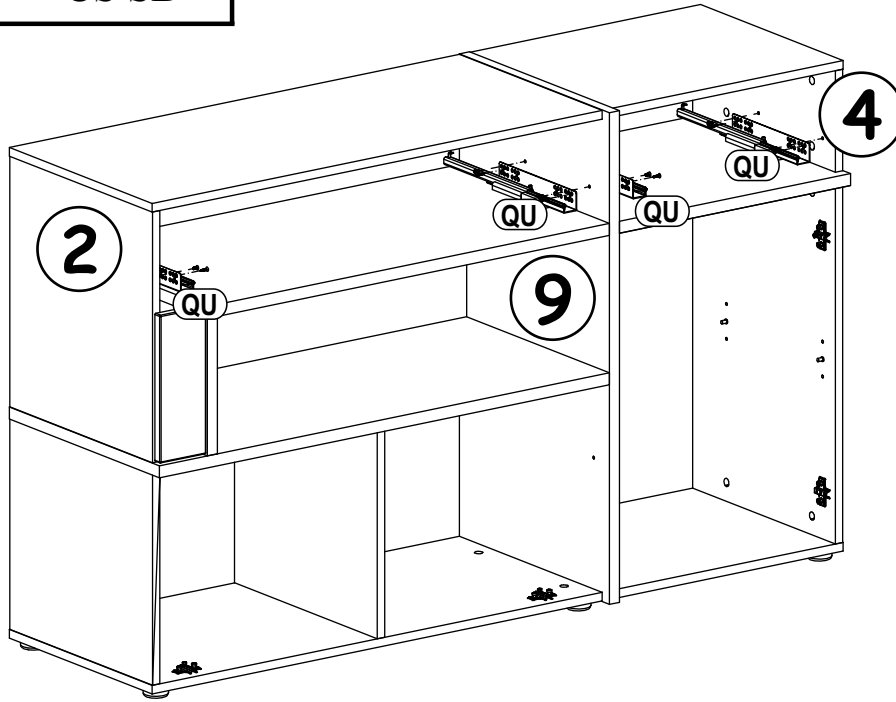
18

UP13	
x48	UPØ3x16

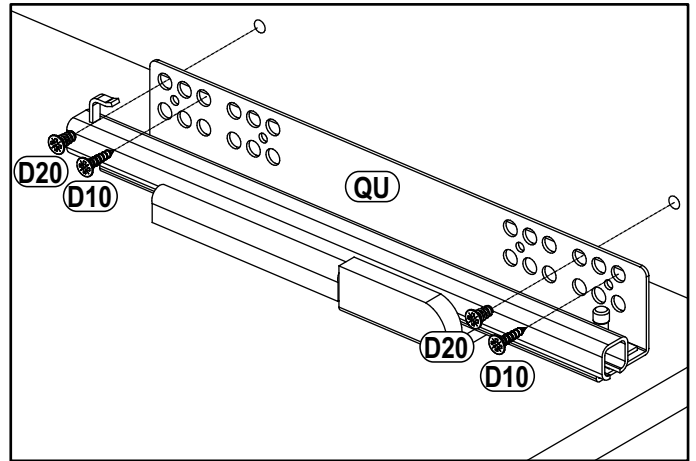
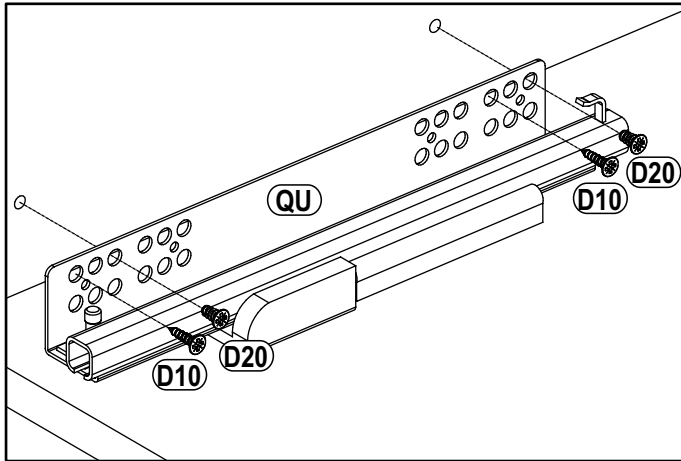
G16	
x13	



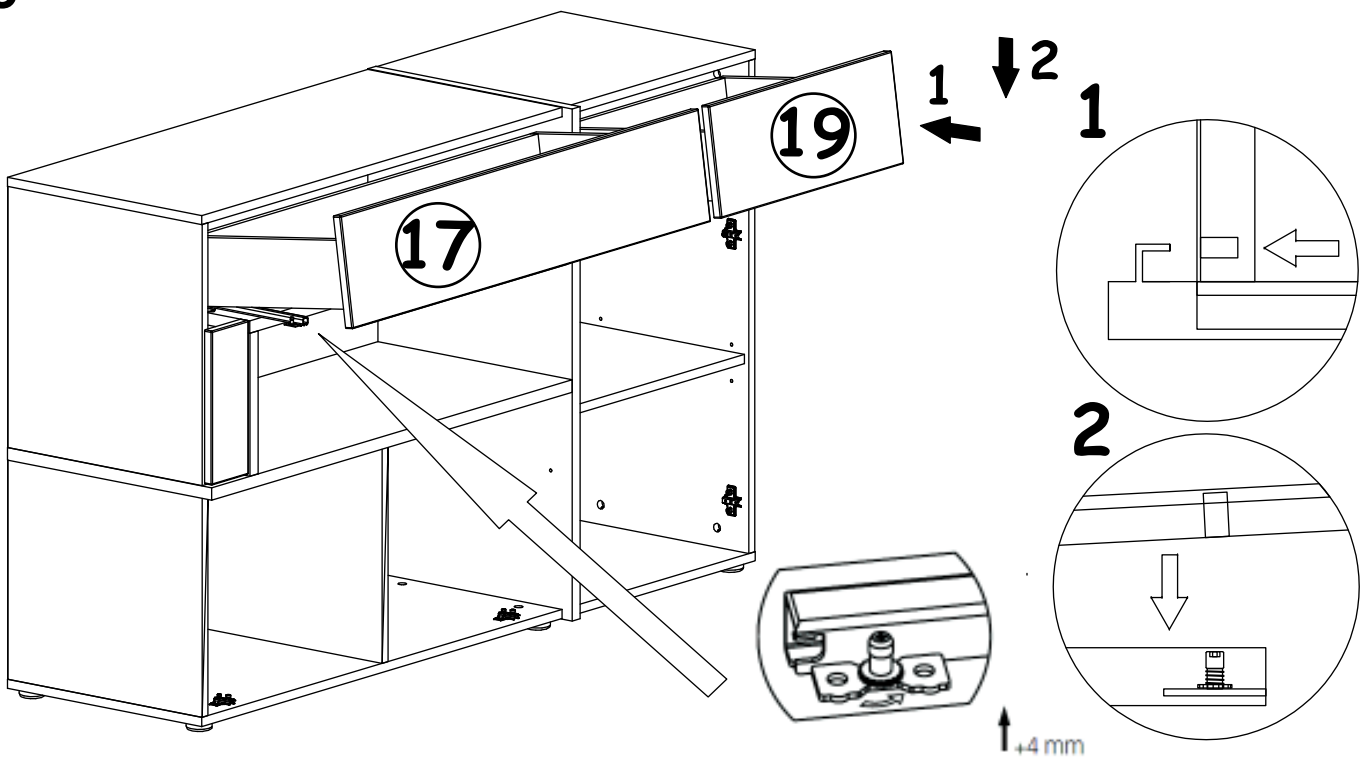
19



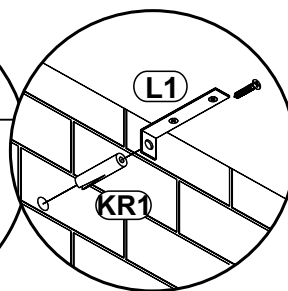
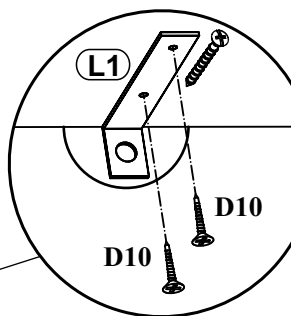
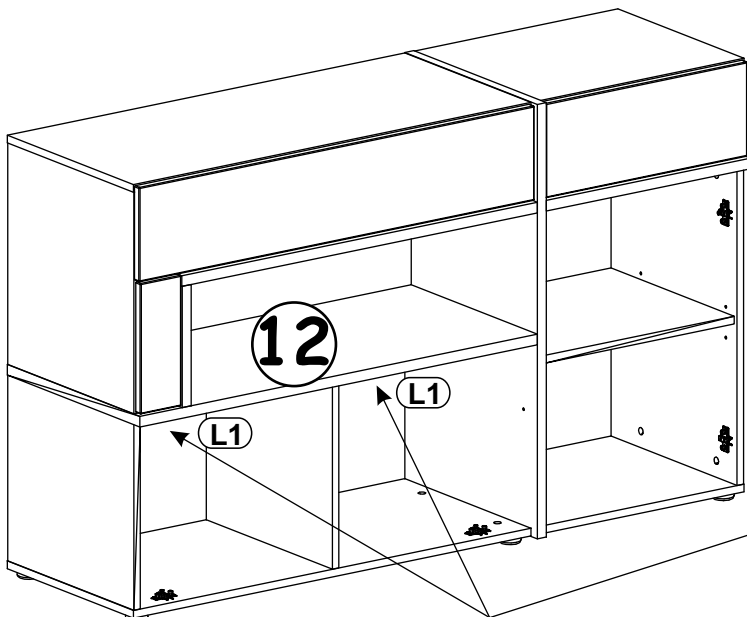
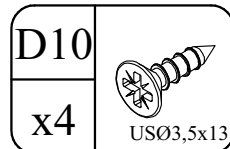
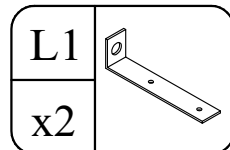
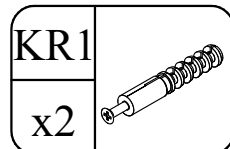
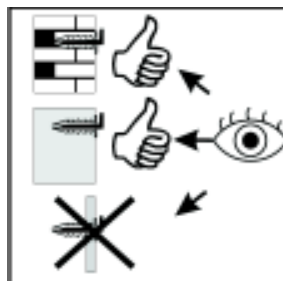
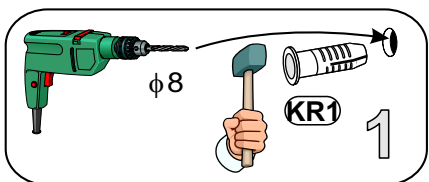
D20	
x8	ESØ6,3x9,5
D10	
x8	USØ3,5x13
QU	
x2	L-350



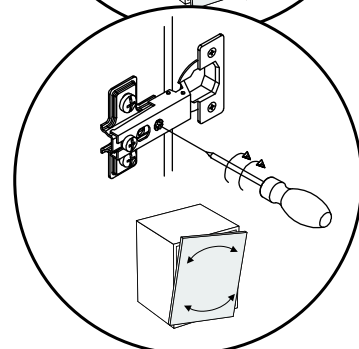
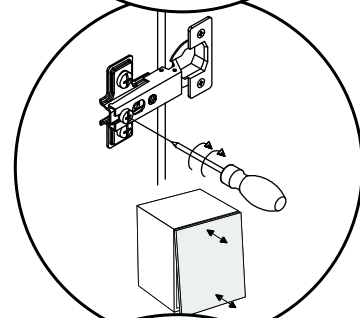
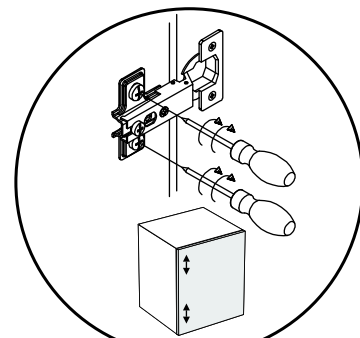
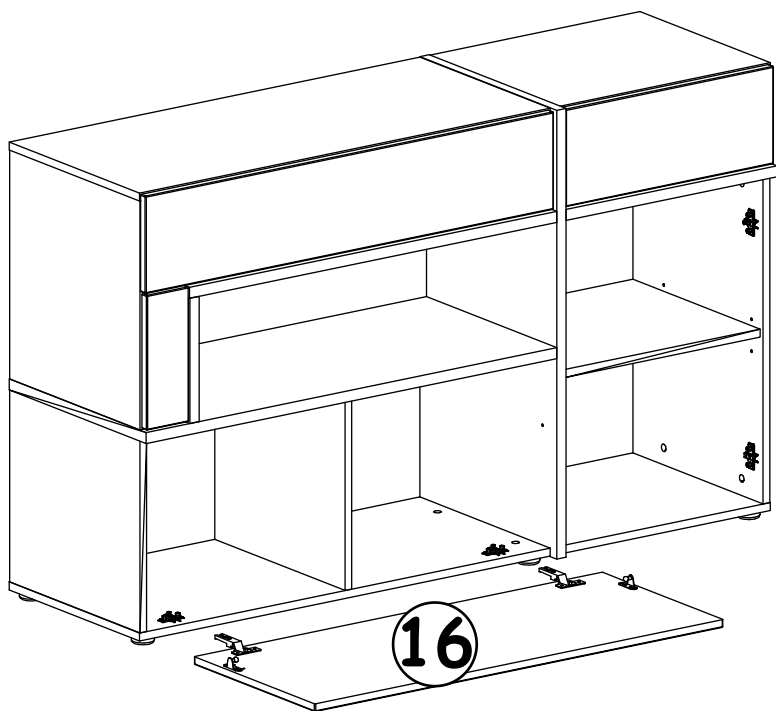
20



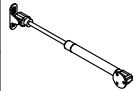
21



22



23

BP1	
x2	

