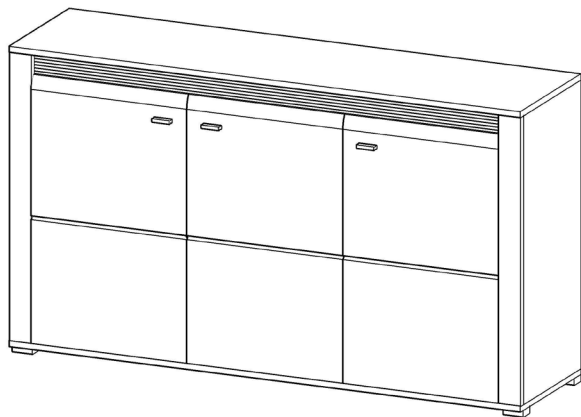
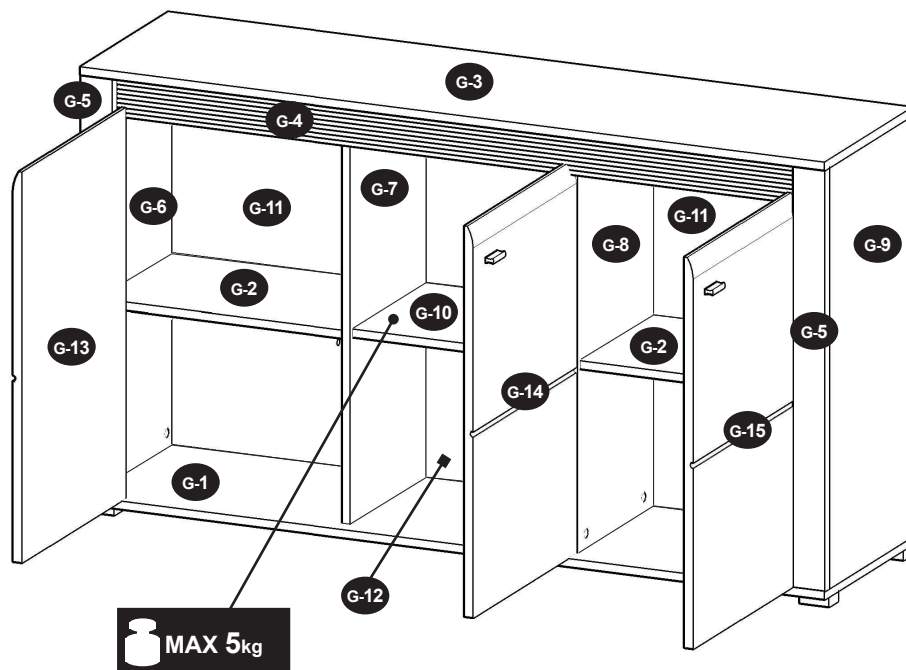


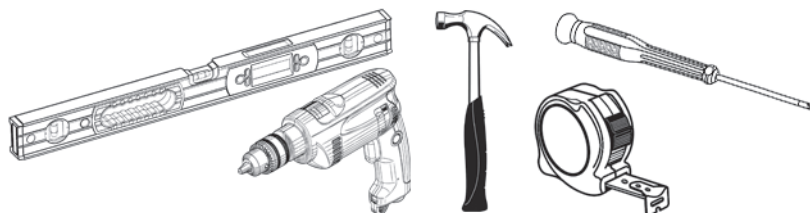
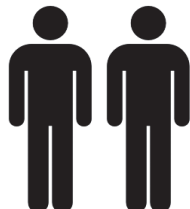
CAMPARI



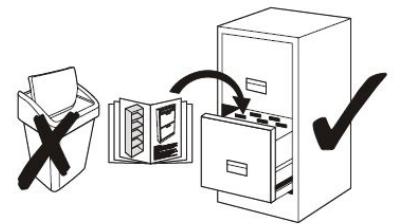
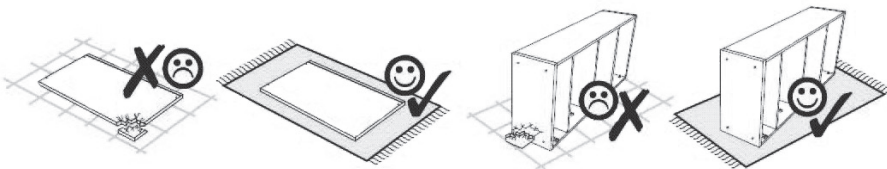
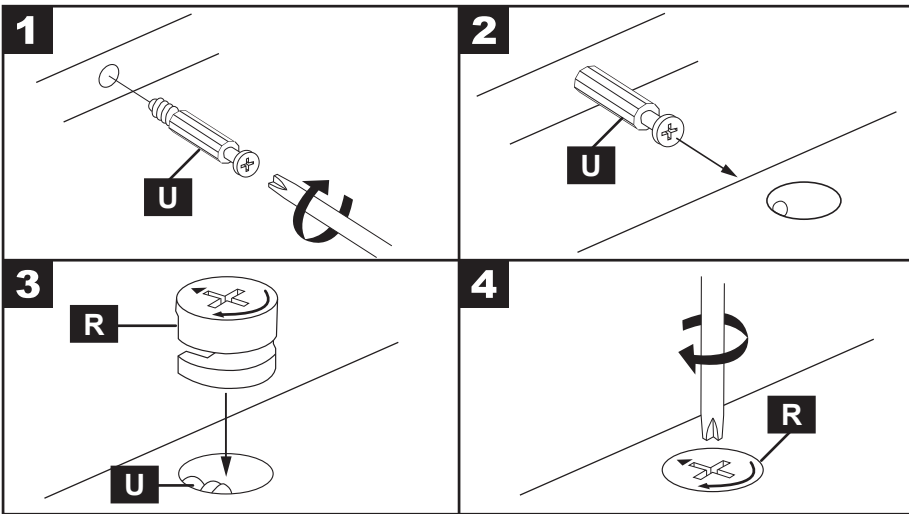
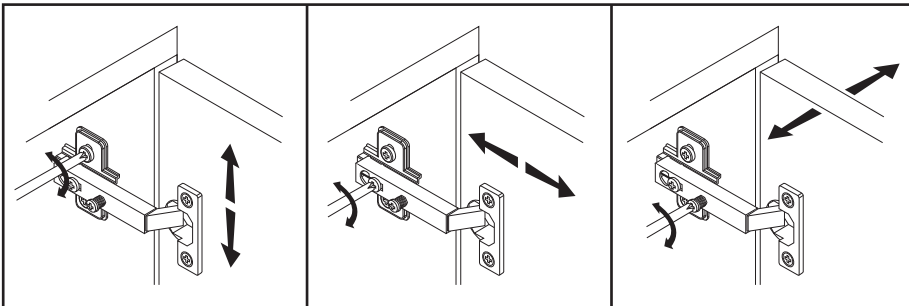
G



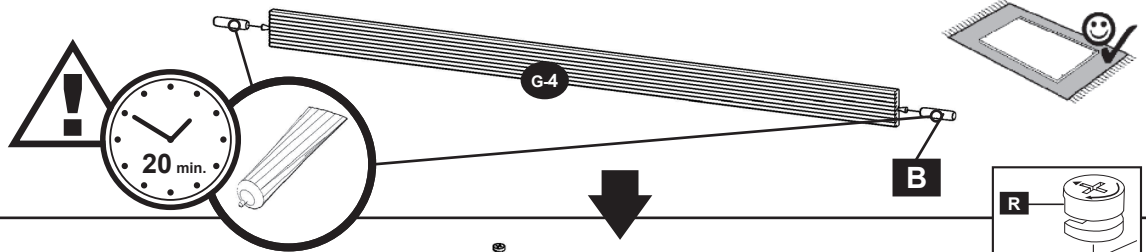
60 min.



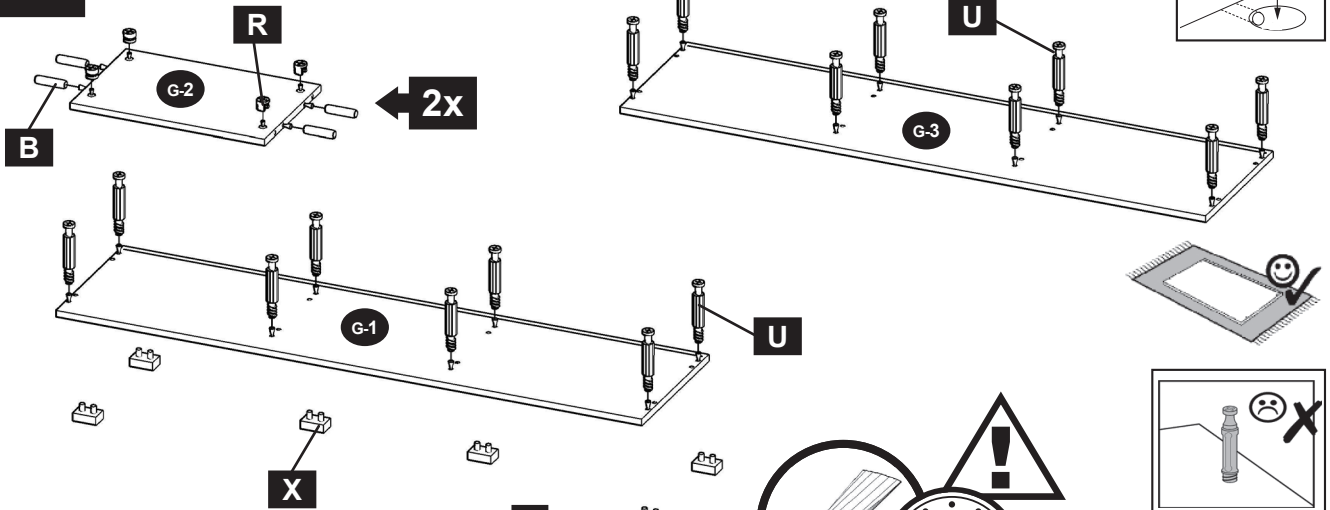
B 8x32 x34	C4 x4	C5 1/2 x2	D4 x4	D5 1/2 x2	E 4x13 x12
K 3x20 x16	K1 4x22 x6	L1 x10	L3 x4	M x3	P x10
R x30	Rz x30	T 6,3x13 x12	U x30	X x6	GLUE x1



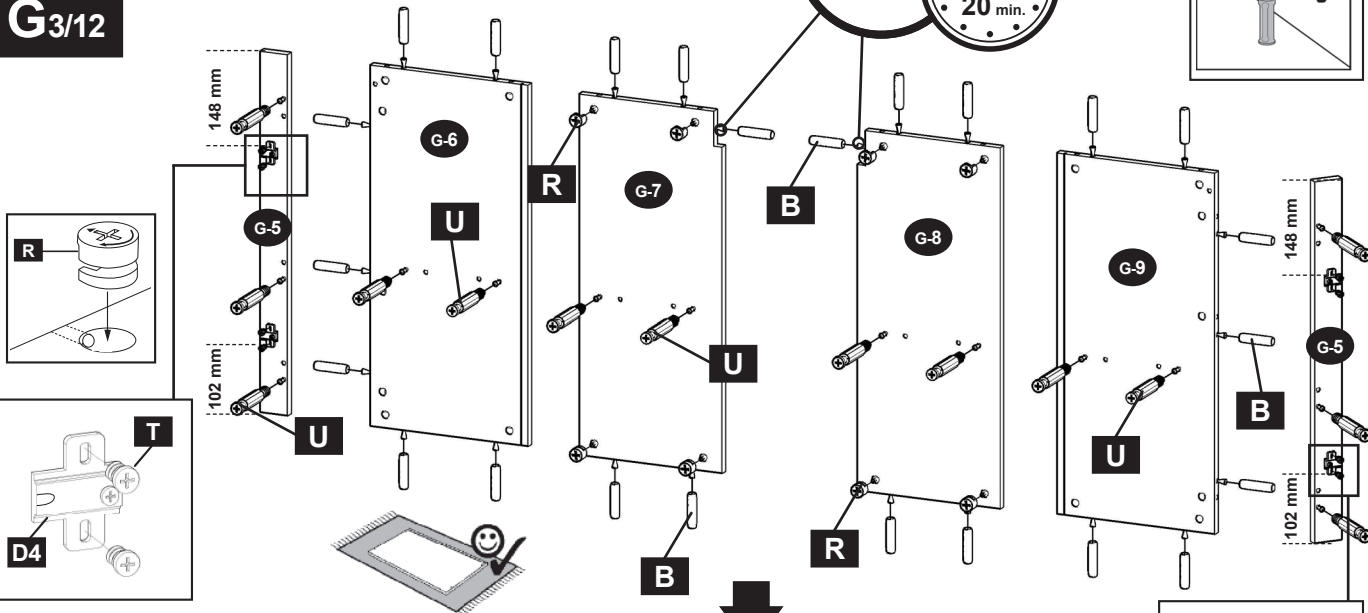
G1/12



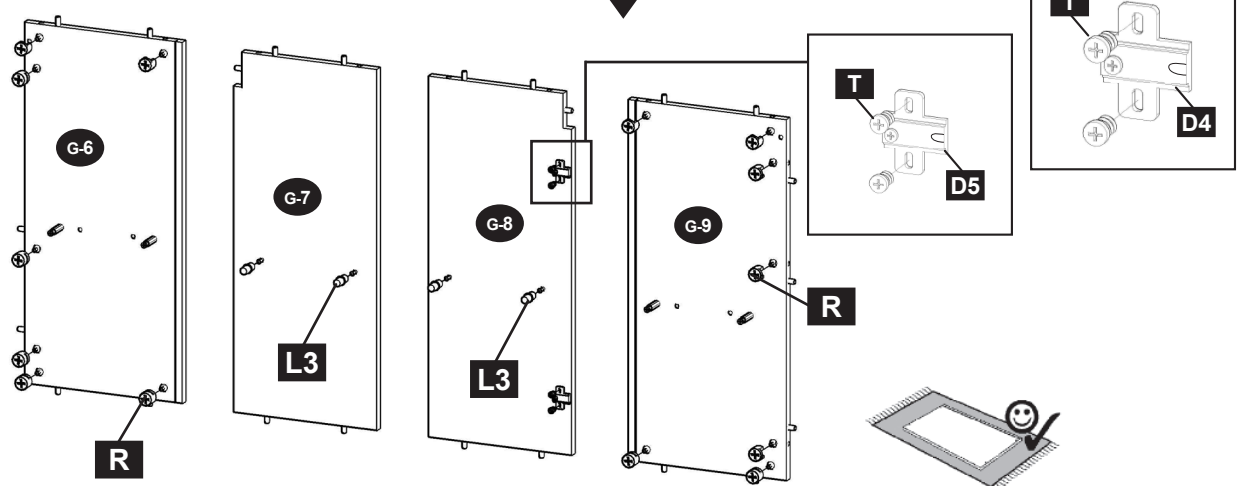
G2/12


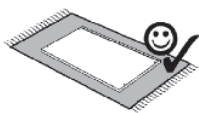


G3/12


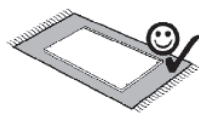
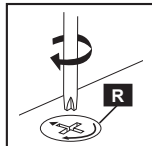


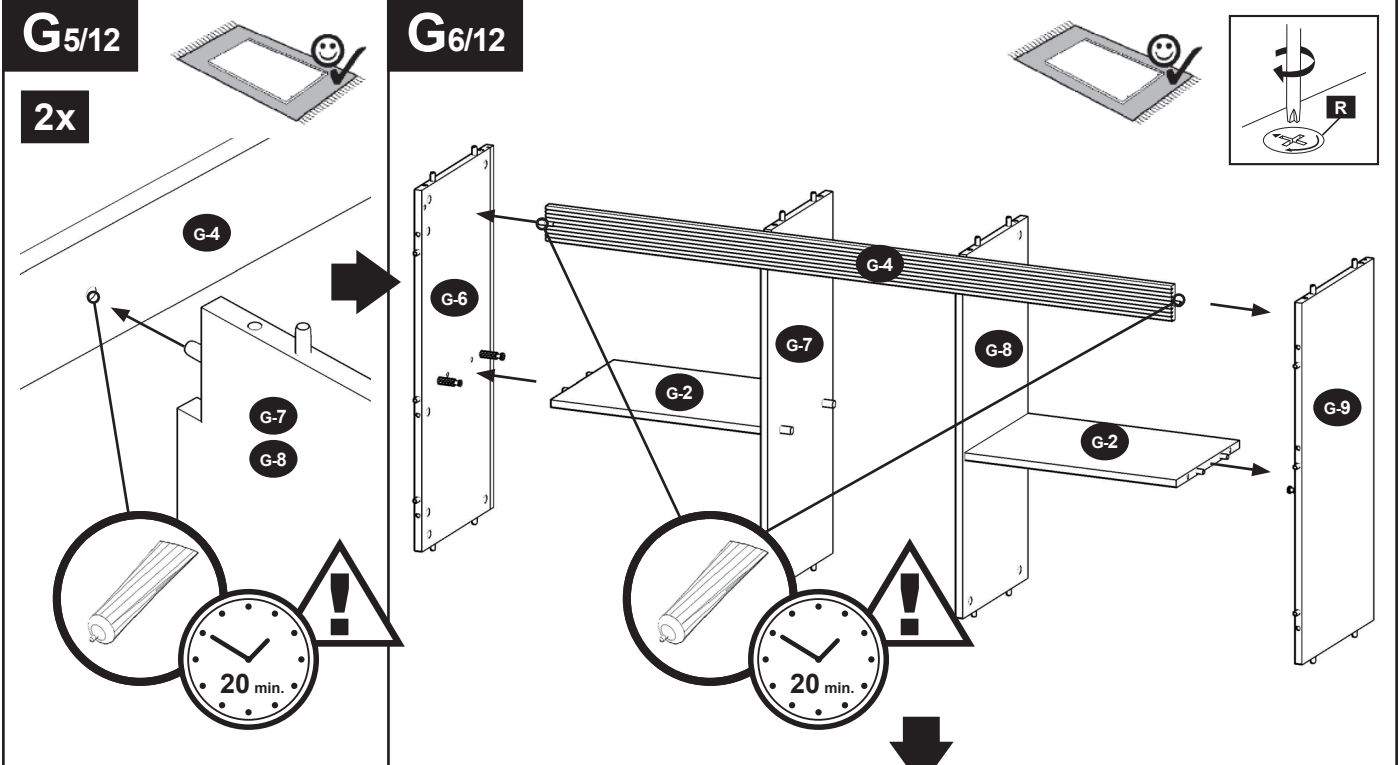
G4/12



G5/12  

2x


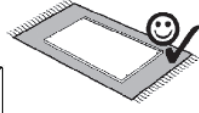
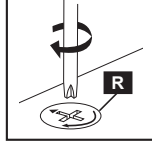
G6/12   

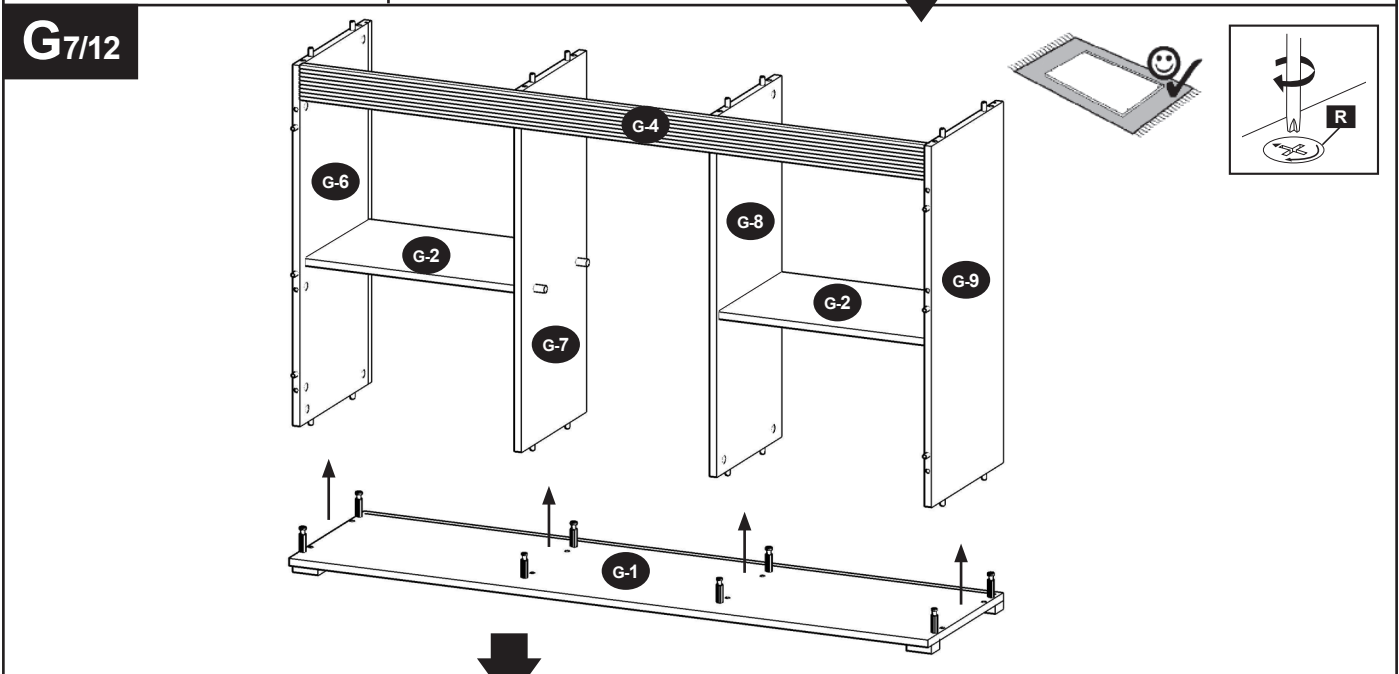


G-4 **G-6** **G-7** **G-8** **G-2** **G-9**

20 min. **!**

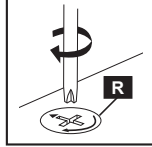
20 min. **!**

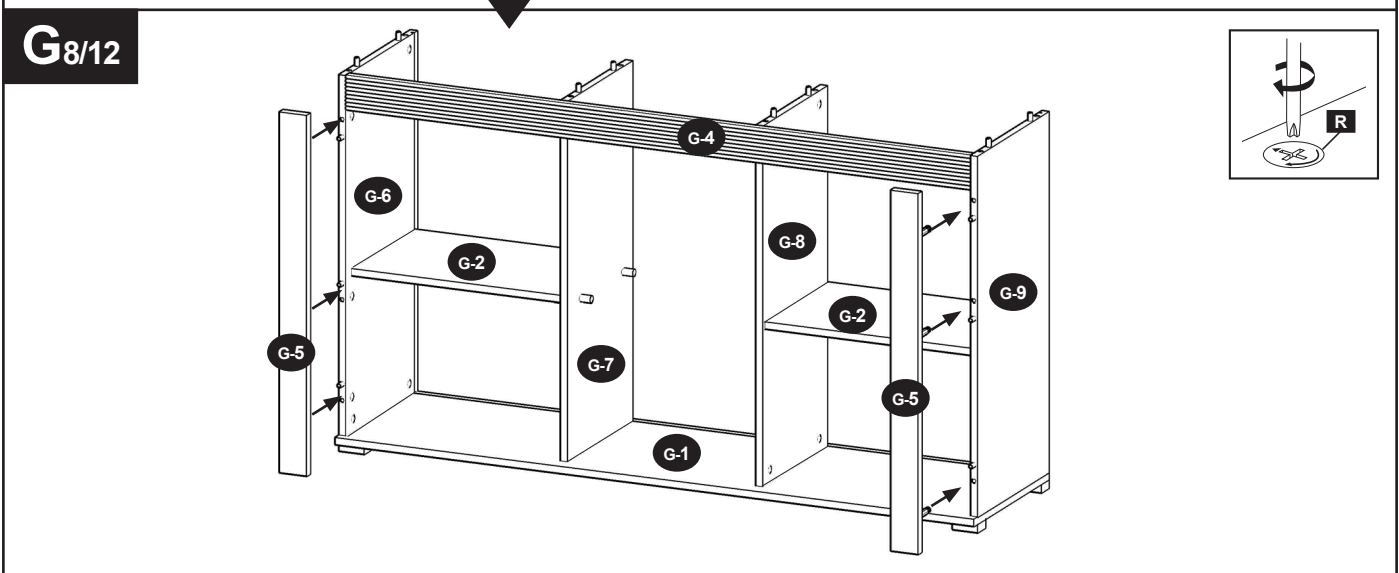
G7/12   



G-6 **G-4** **G-8** **G-2** **G-9** **G-7**

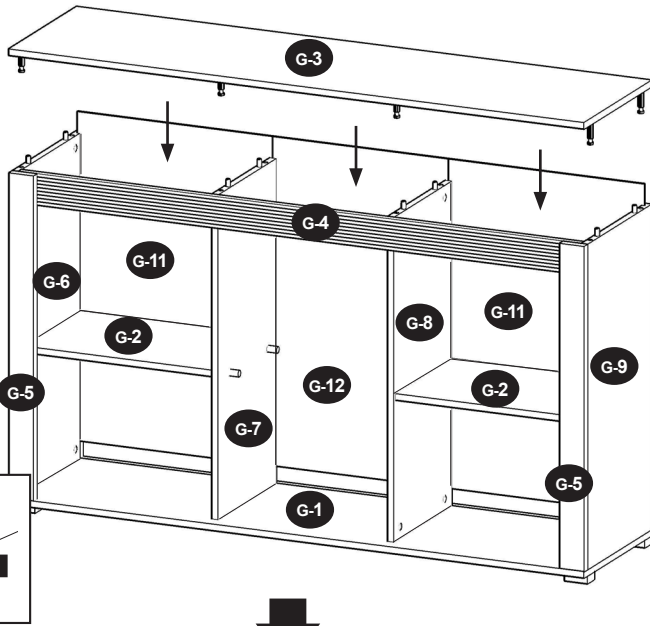
G-1

G8/12 

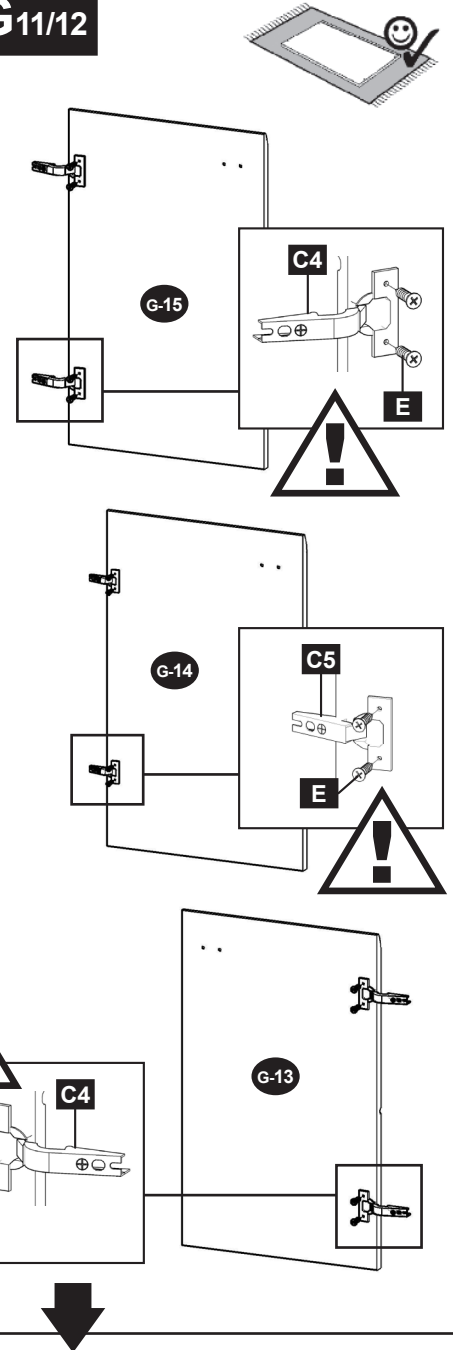


G-6 **G-4** **G-8** **G-2** **G-9** **G-7** **G-5** **G-1**

G9/12

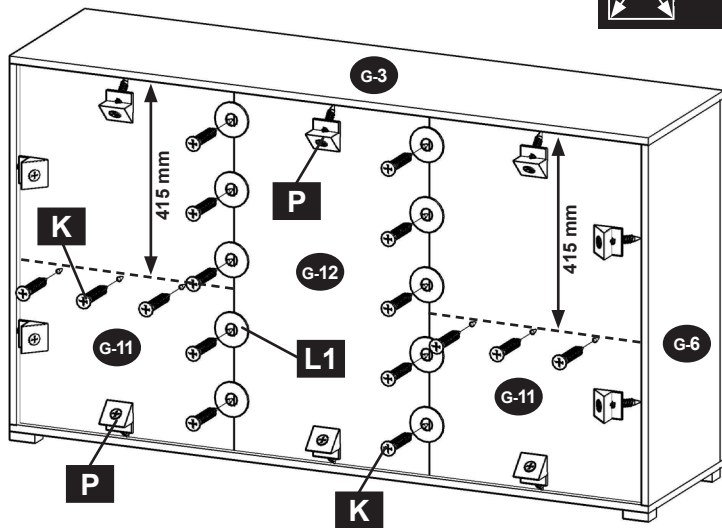


G11/12



G10/12

A=B



G12/12

