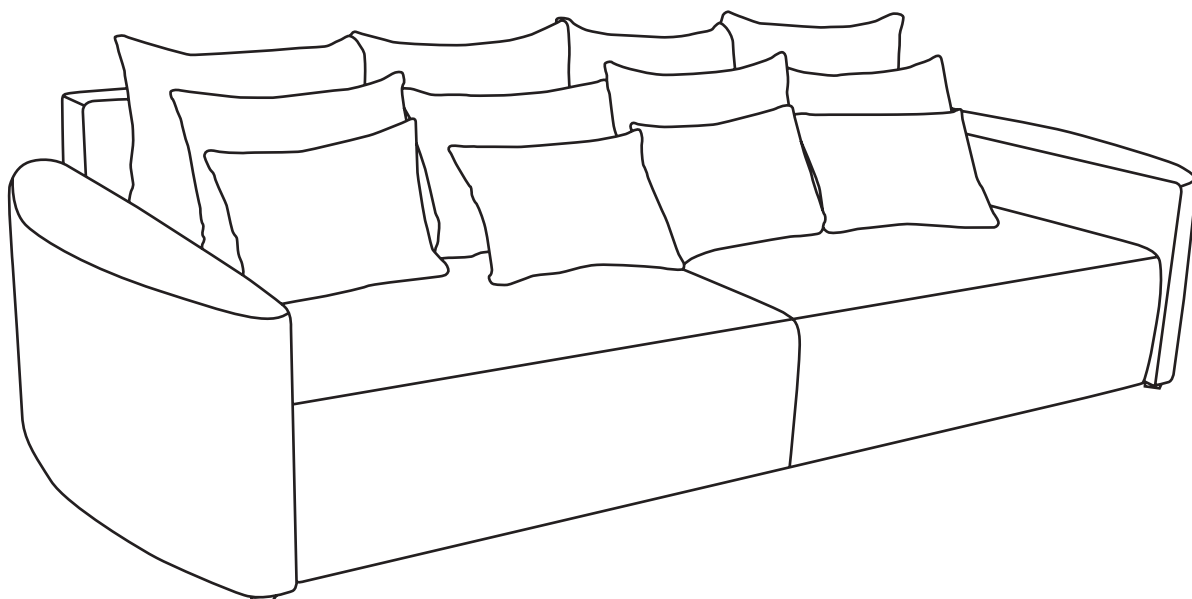
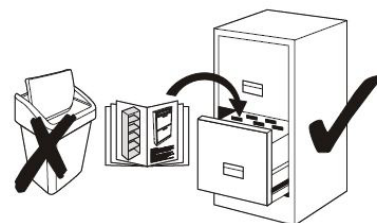


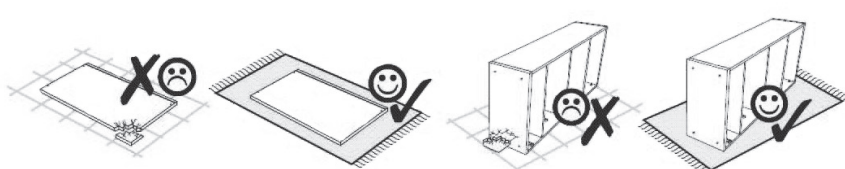
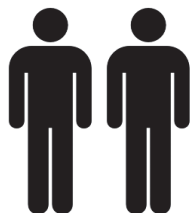
PURA



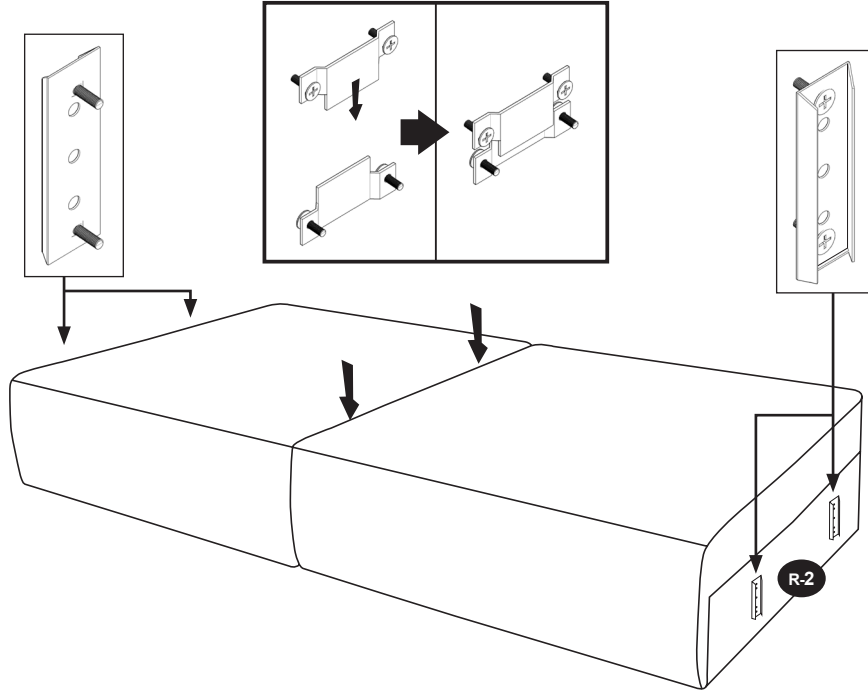
EL.:	COLLI:
L2	1/3
L3	1/3
L4	1/3
R2	2/3
R3	2/3
R4	2/3
L1	3/3
R1	3/3



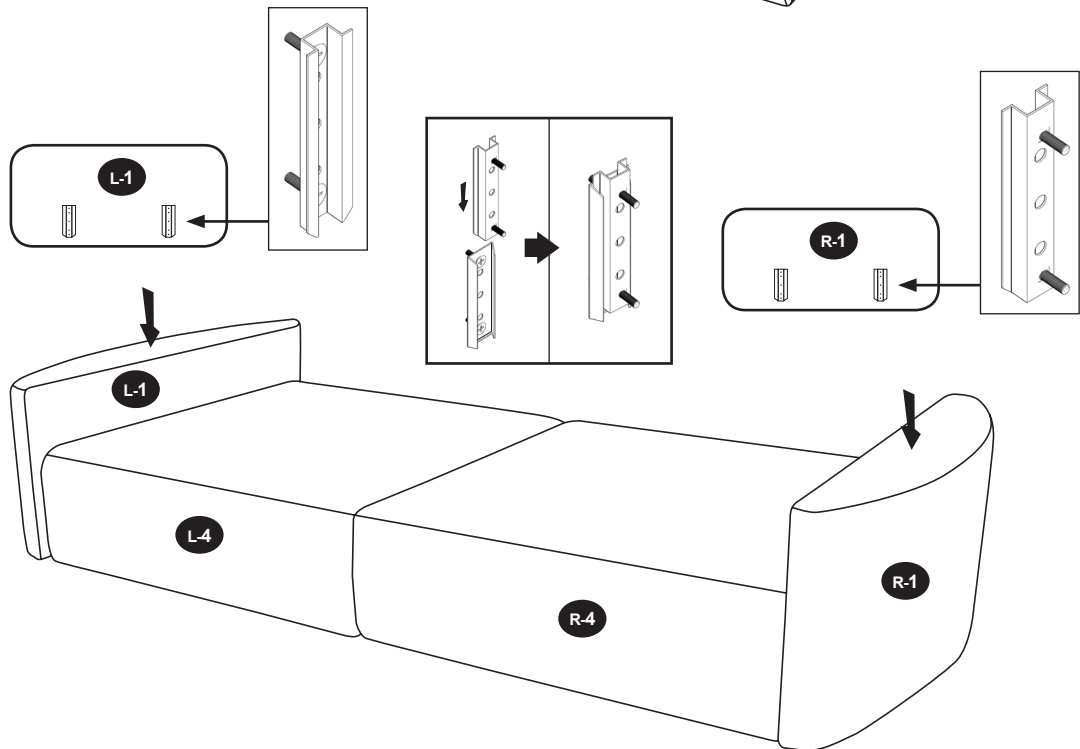
15 min.



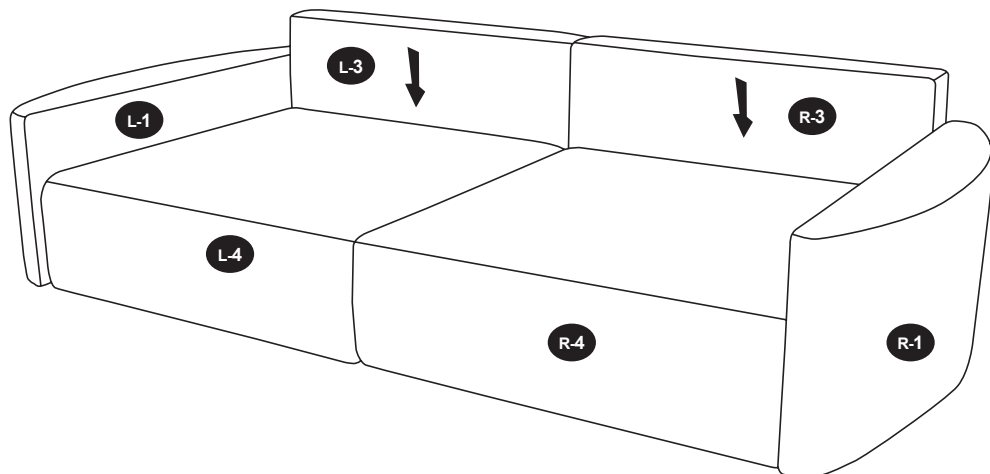
P1/3



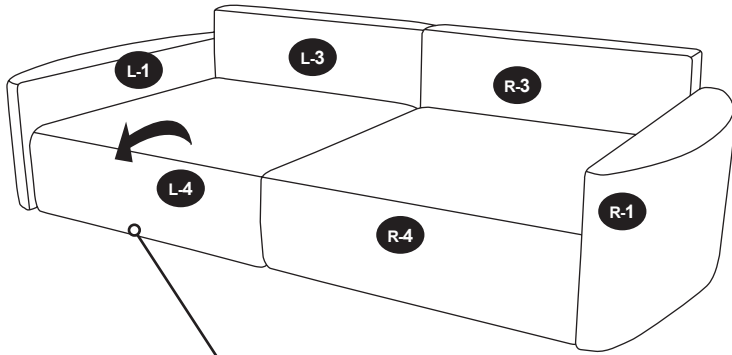
P2/3



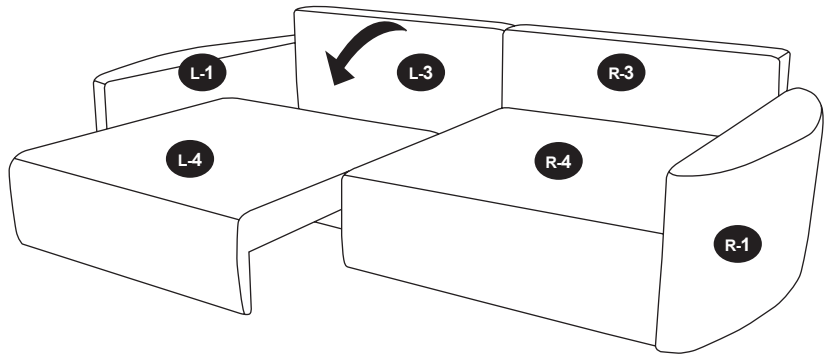
P3/3



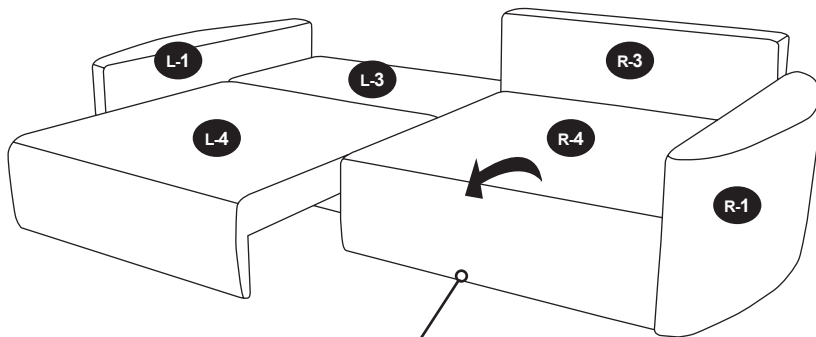
P1/4



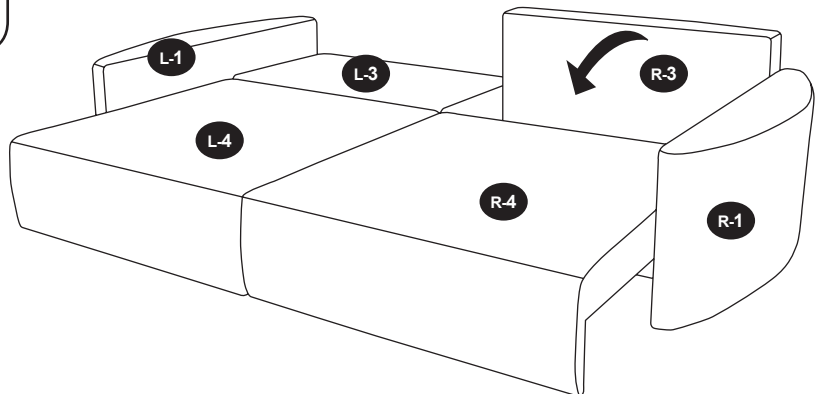
P2/4



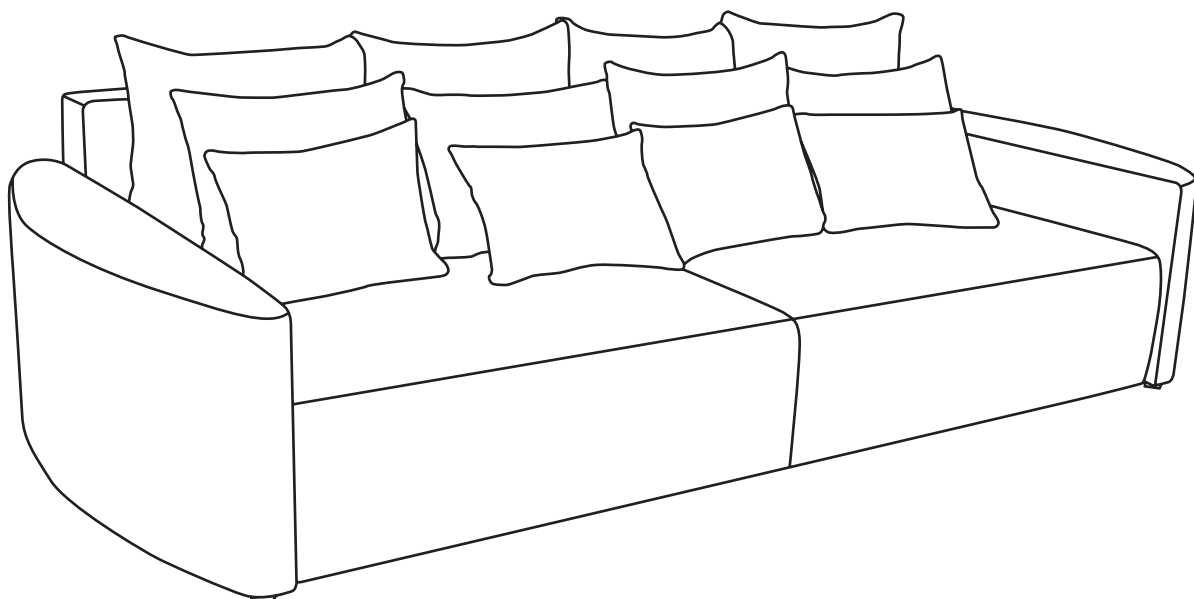
P3/4



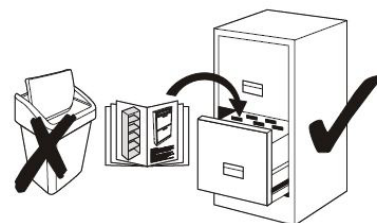
P4/4



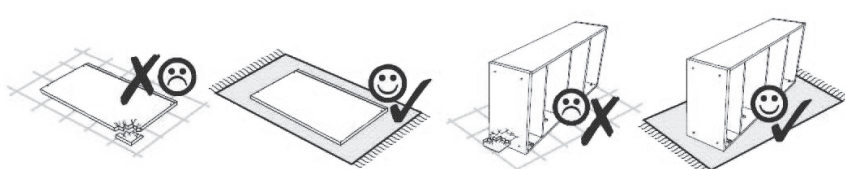
PURA



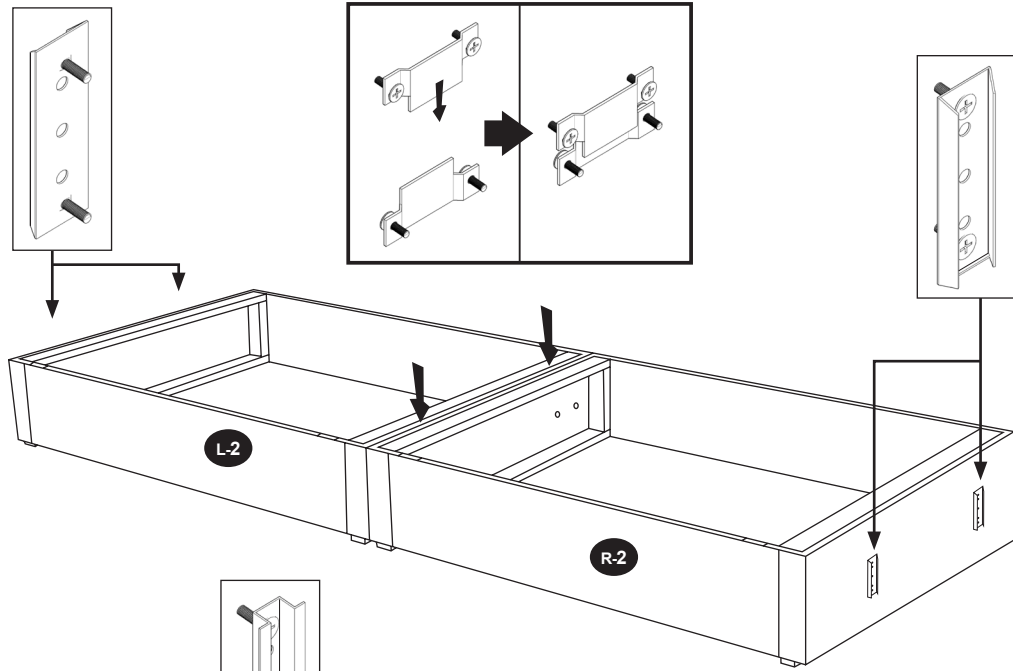
EL.:	COLLI:
L2	1/3
L3	1/3
L4	1/3
R2	2/3
R3	2/3
R4	2/3
L1	3/3
R1	3/3



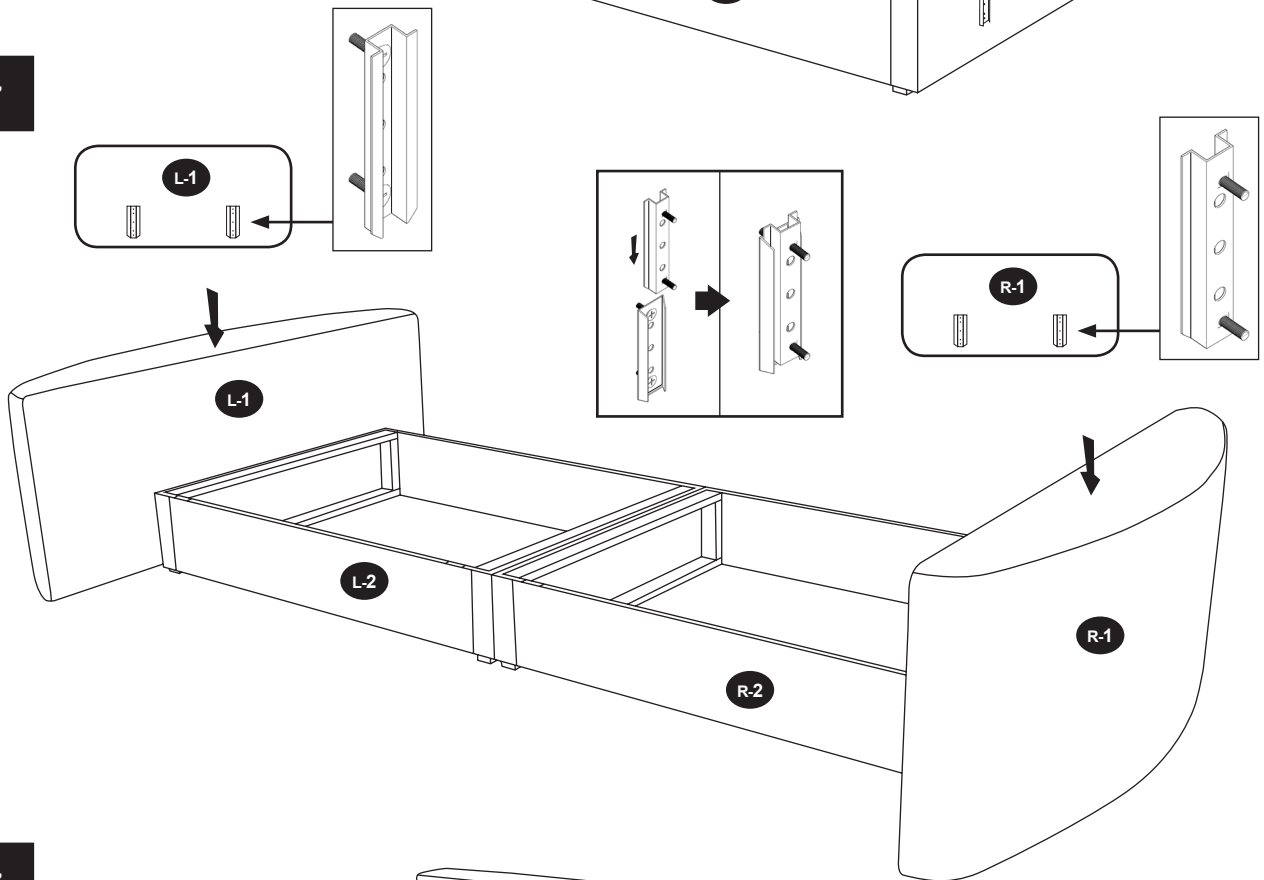
15 min.



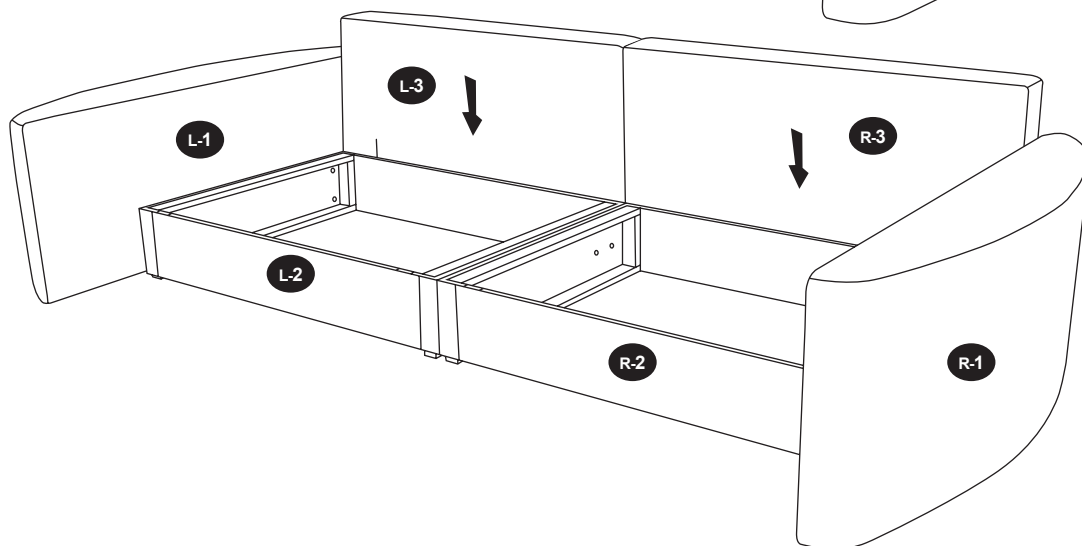
P17



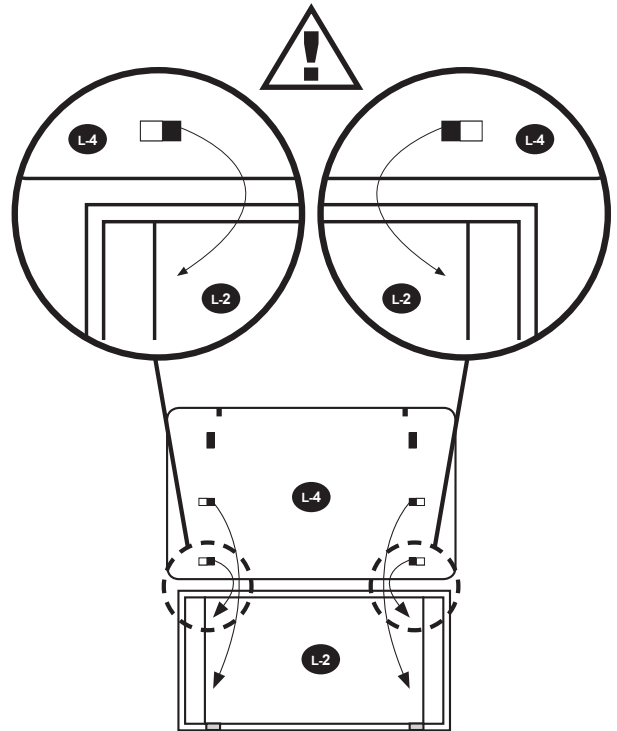
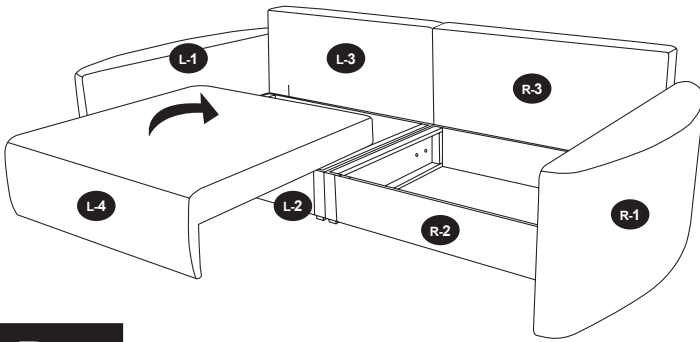
P27



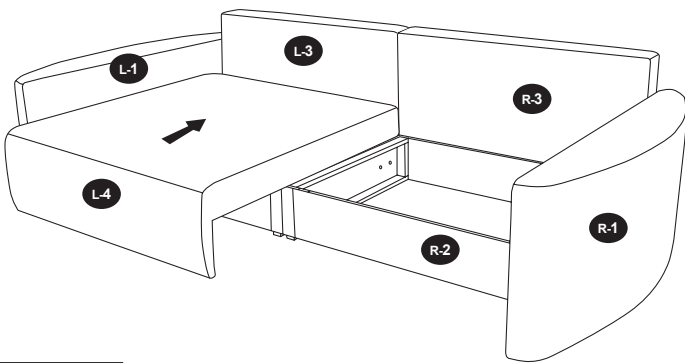
P37



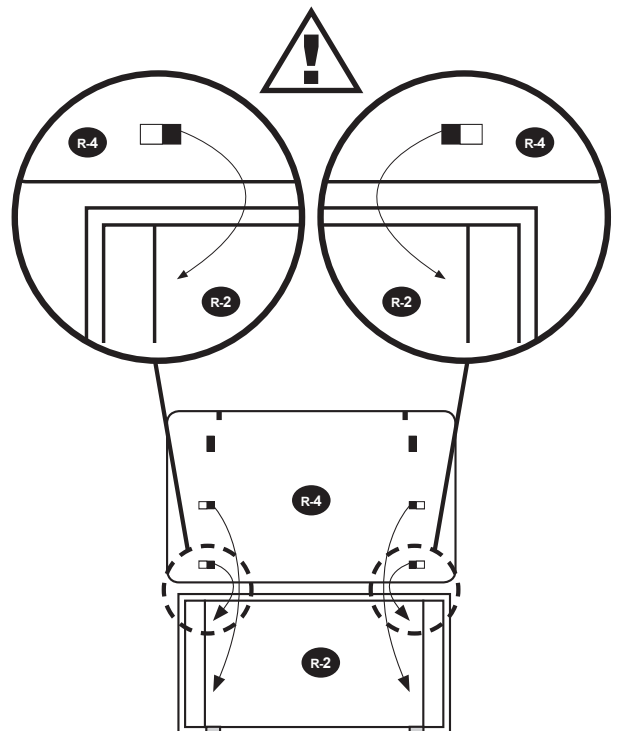
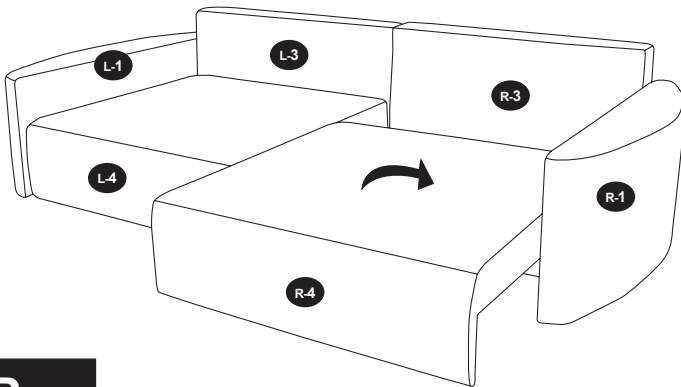
P4/7



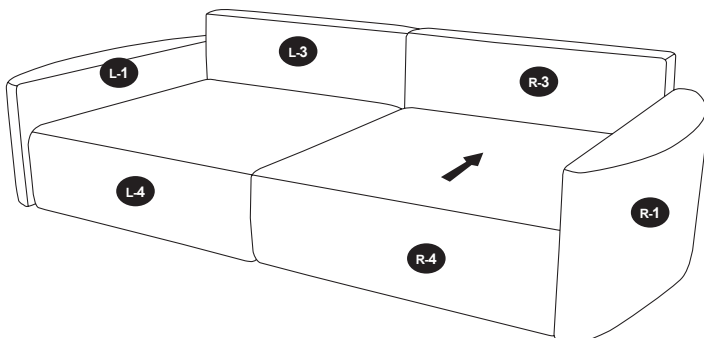
P5/7



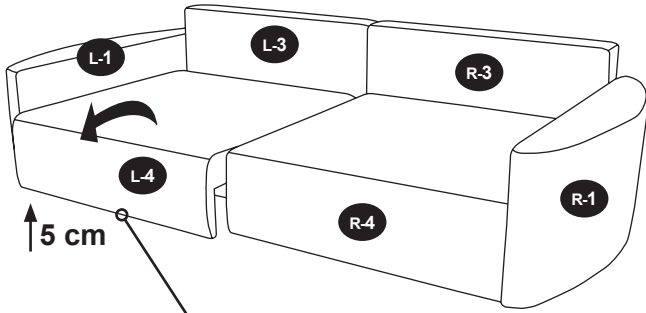
P6/7



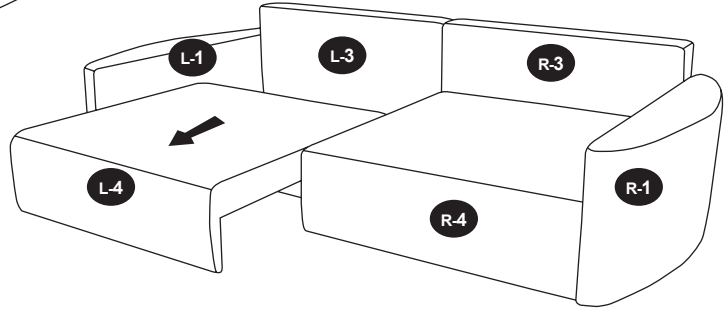
P7/7



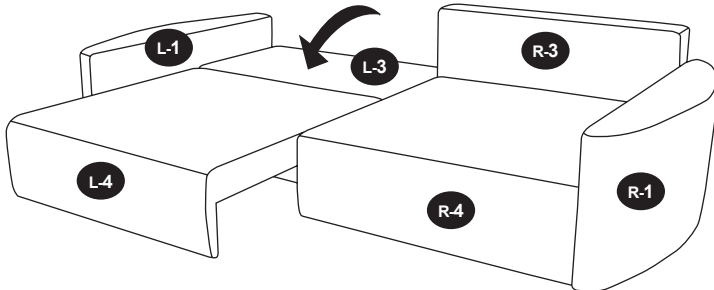
P1/6



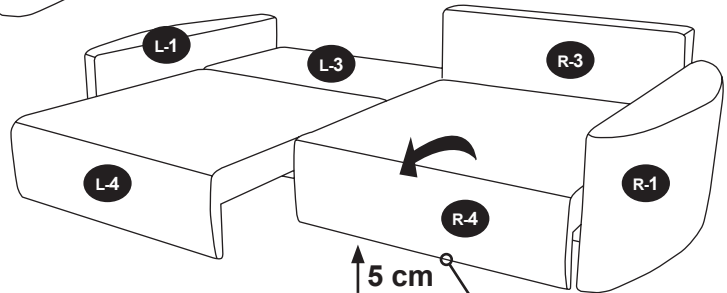
P2/6



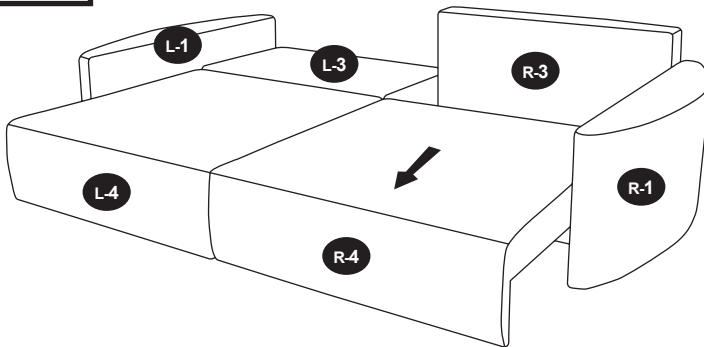
P3/6



P4/6



P5/6



P6/6

