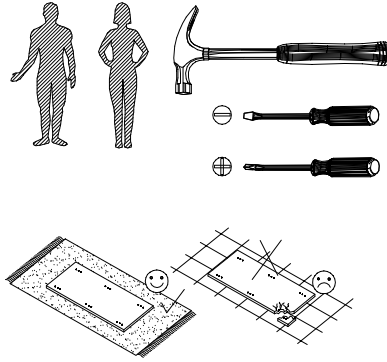
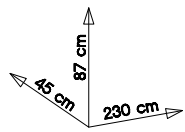
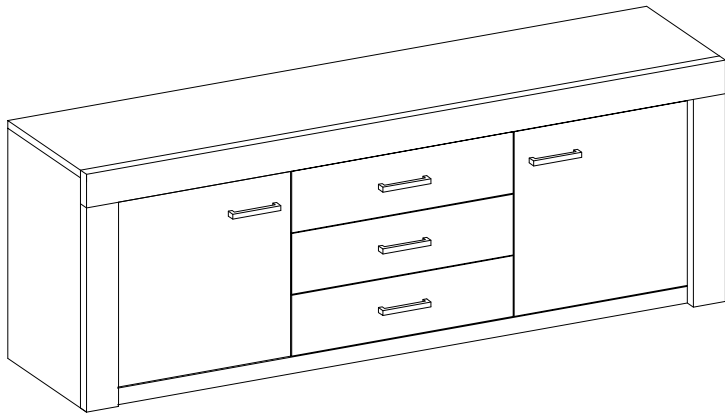
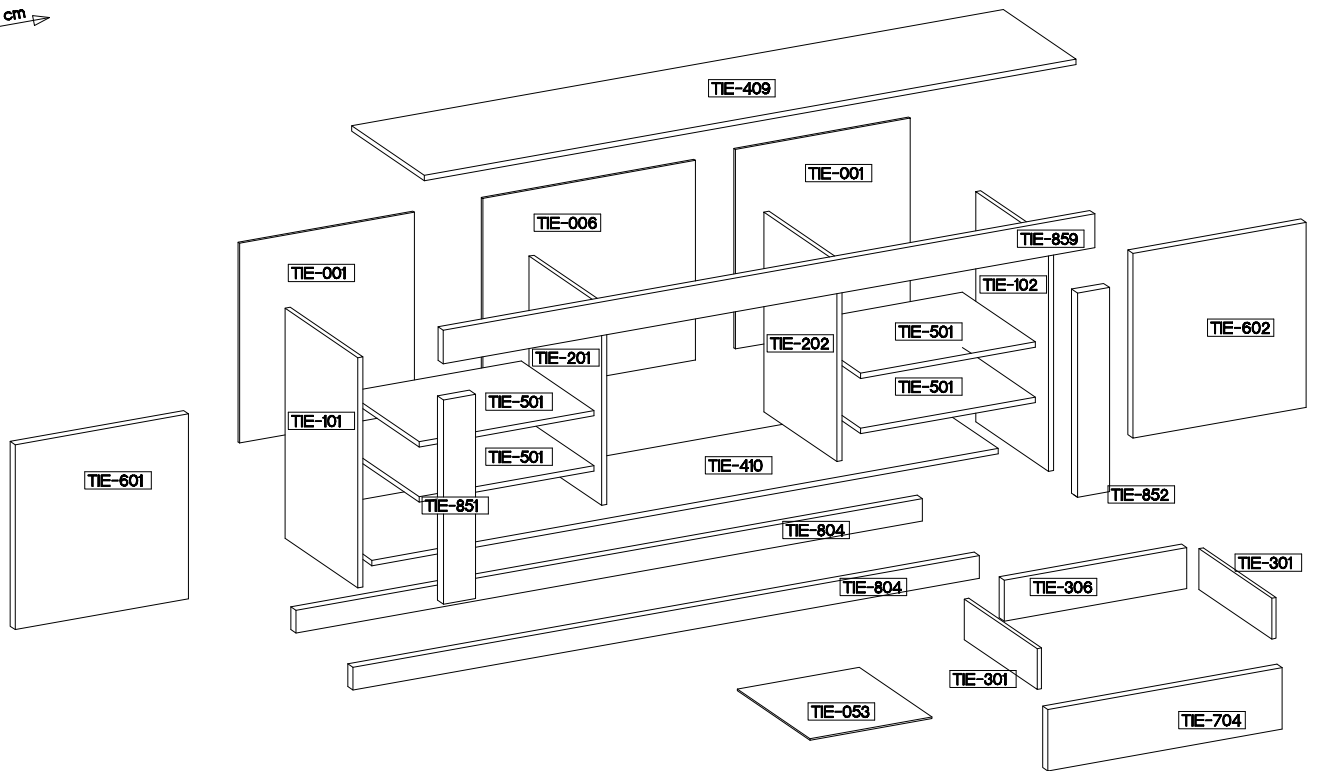


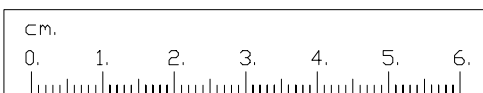
# TIENEN-04



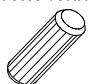



#	ART. NR	QUANTITY
1	TIE-409	1
2	TIE-410	1
3	TIE-101	1
4	TIE-102	1
5	TIE-201	1
6	TIE-202	1
7	TIE-501	4
8	TIE-601	1
9	TIE-602	1
10	TIE-704	3
11	TIE-301	6
12	TIE-306	3
13	TIE-053	3
14	TIE-801	2
15	TIE-859	1
16	TIE-851	1
17	TIE-852	1
18	TIE-001	2
19	TIE-006	1

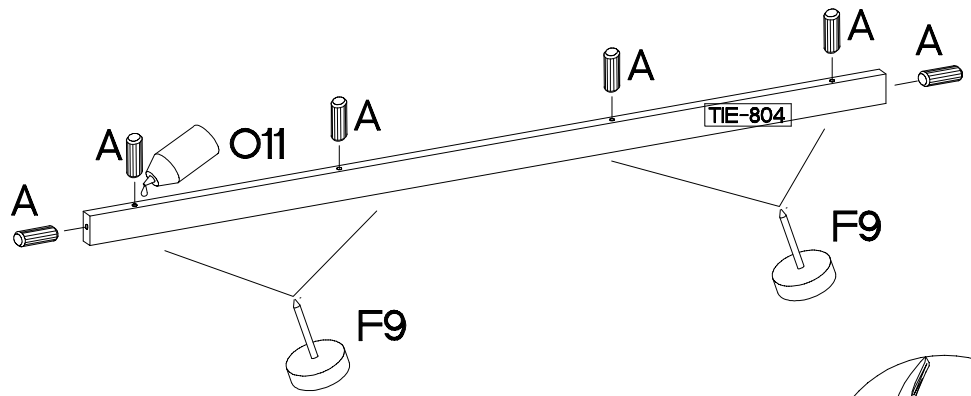


D1 43	+15/12mm C 43	E 43	+8x30mm A 52	J4 16	H-2 H4 4	+35/90° G6 4	L 12	+4.0x16mm P1 8	S1 5	M4.0x20mm R2 10
F9 12	O11 1	I4 6	F10 15	B 6	O 1	E2 6				

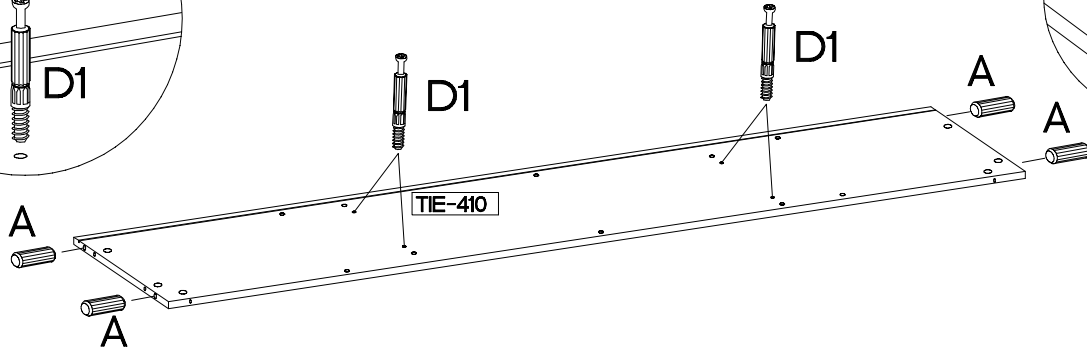
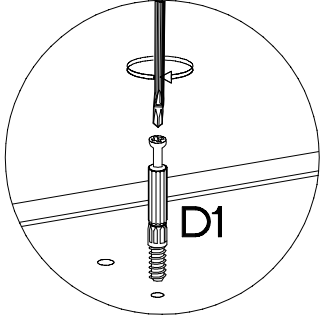


1


 #8x30mm A	 F9
16	8
 D1	 O11
4	1

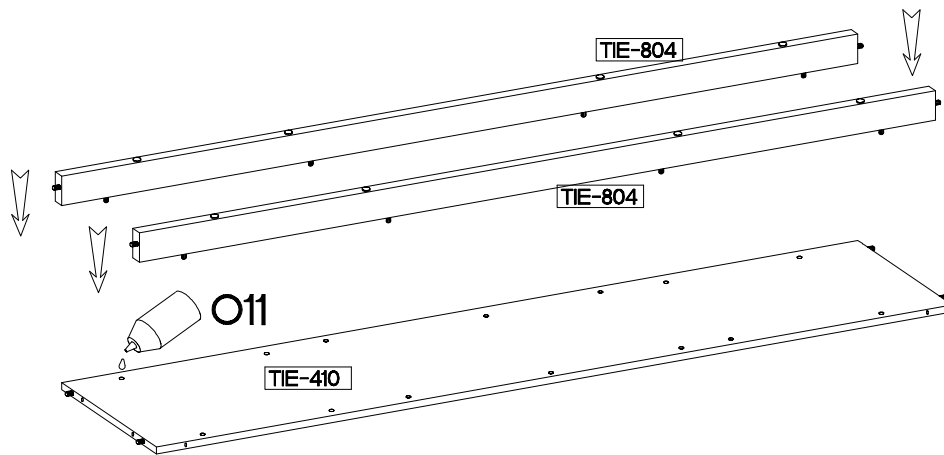


X2

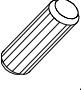





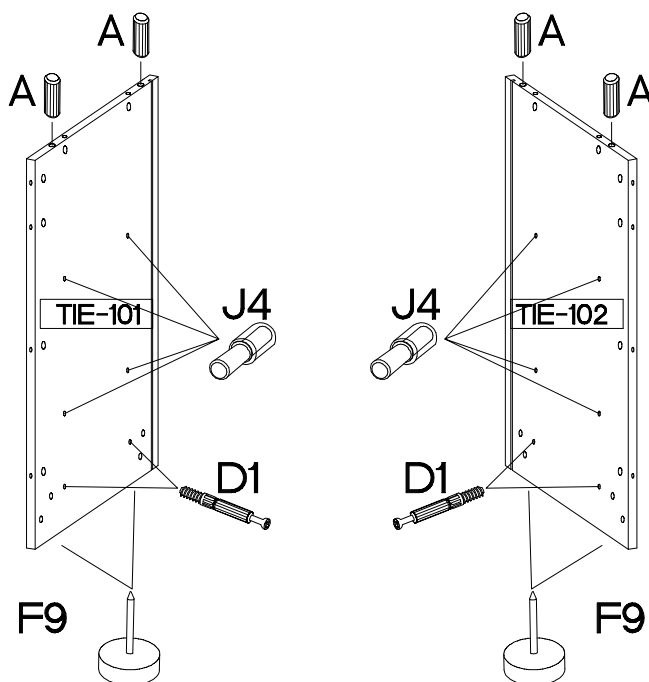
2

 O11
1

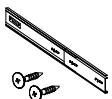




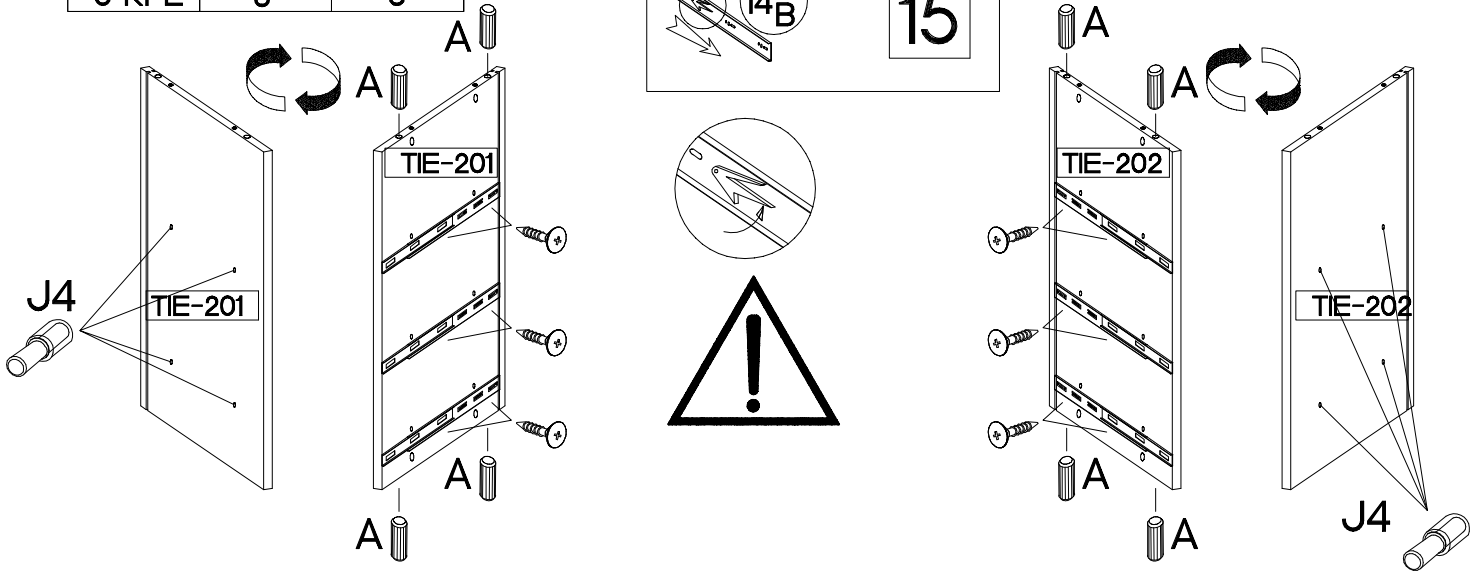
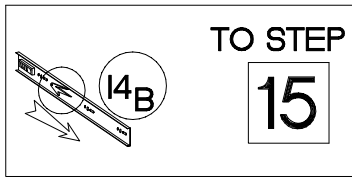
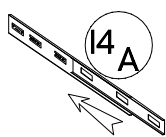
3

 #8x30mm A	 D1
4	4
 J4	 F9
8	4








4

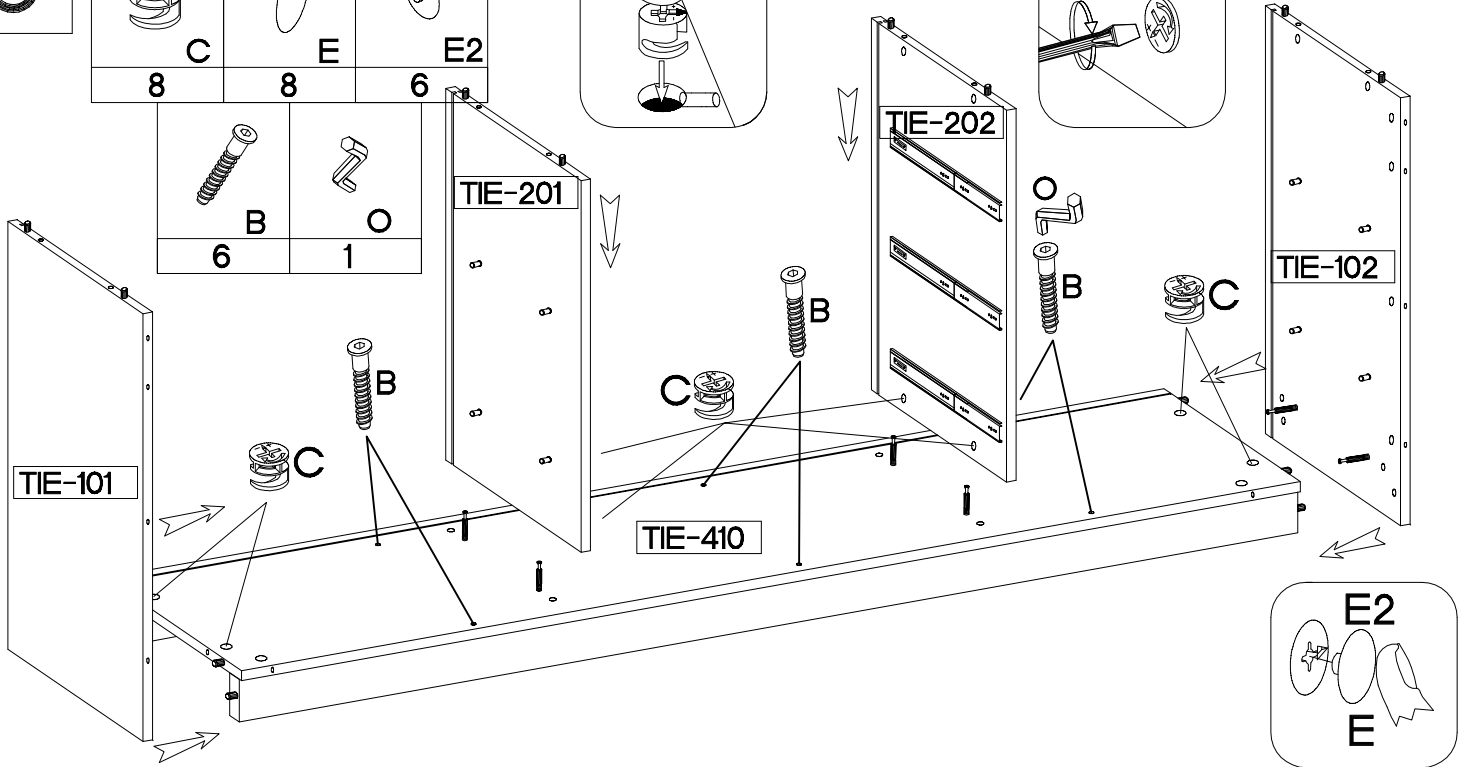
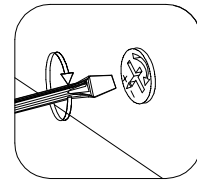
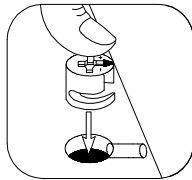
		
I4	J4	A
6 KPL	8	8




5

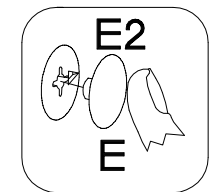
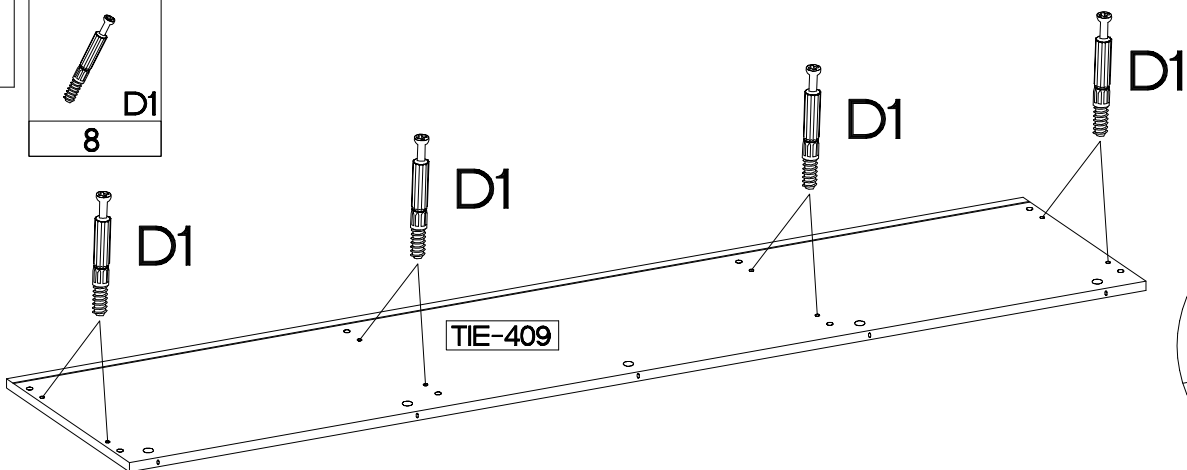
		
C	E	E2
8	8	6

	
B	O
6	1



6


D1
8



7

∅15/12mm



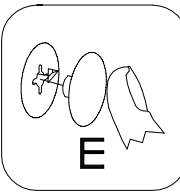
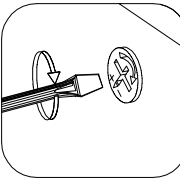
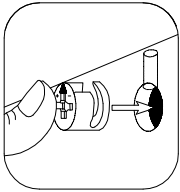
C

8

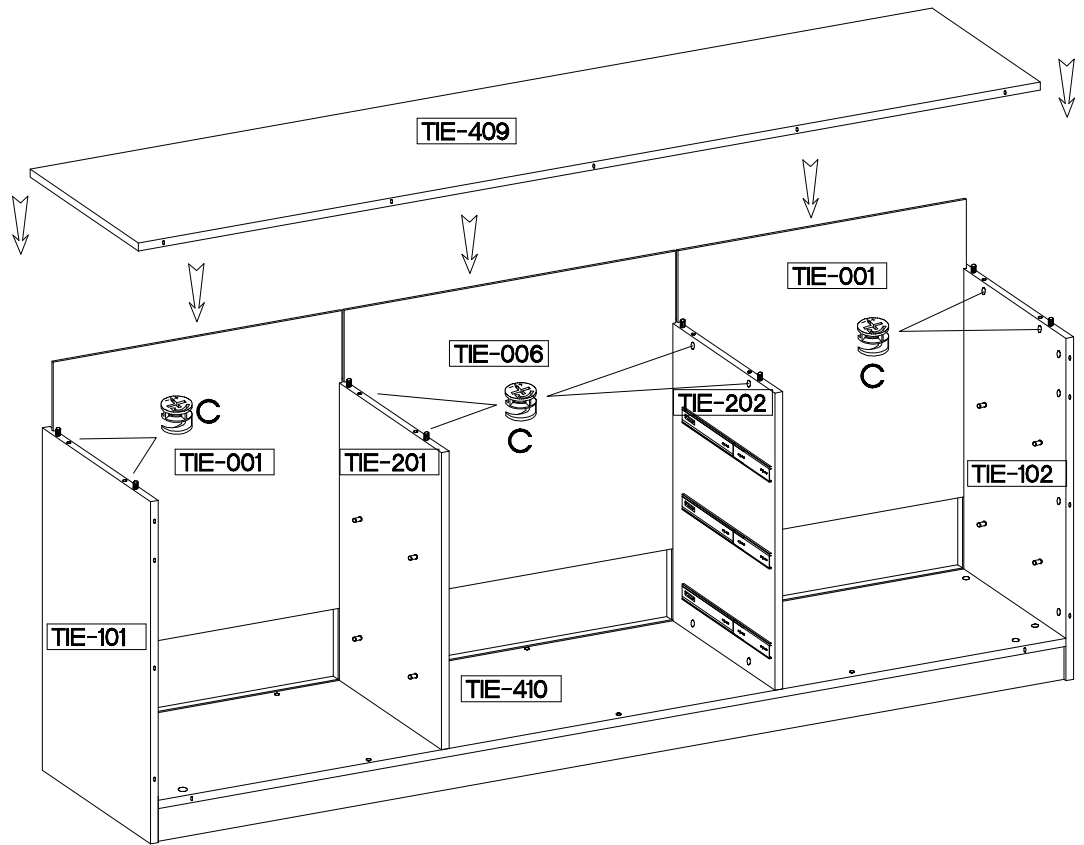


E

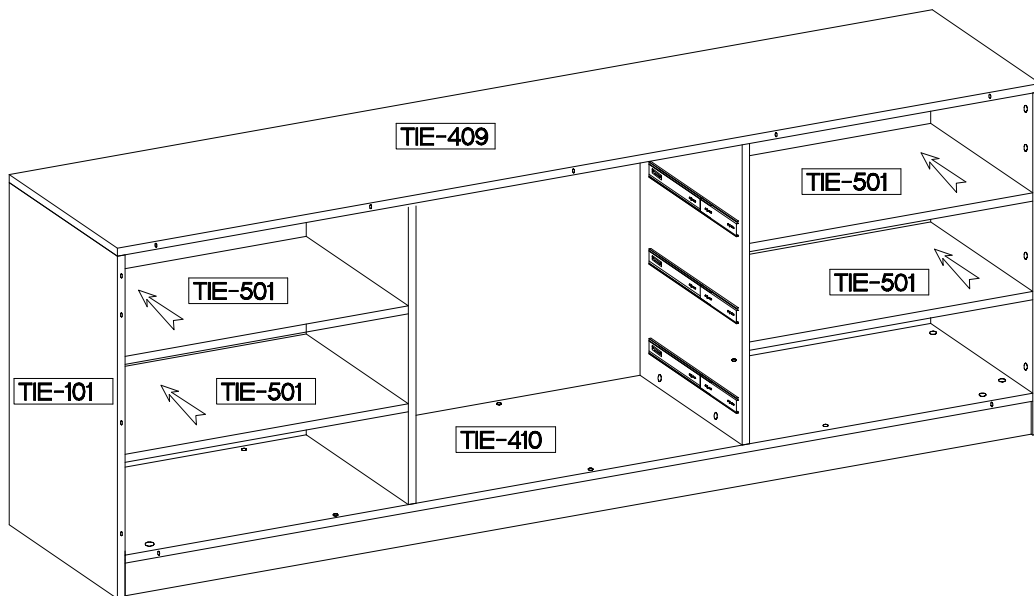
8



E



8

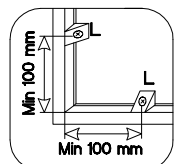
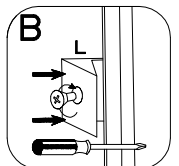
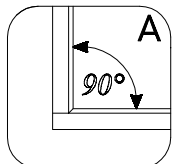
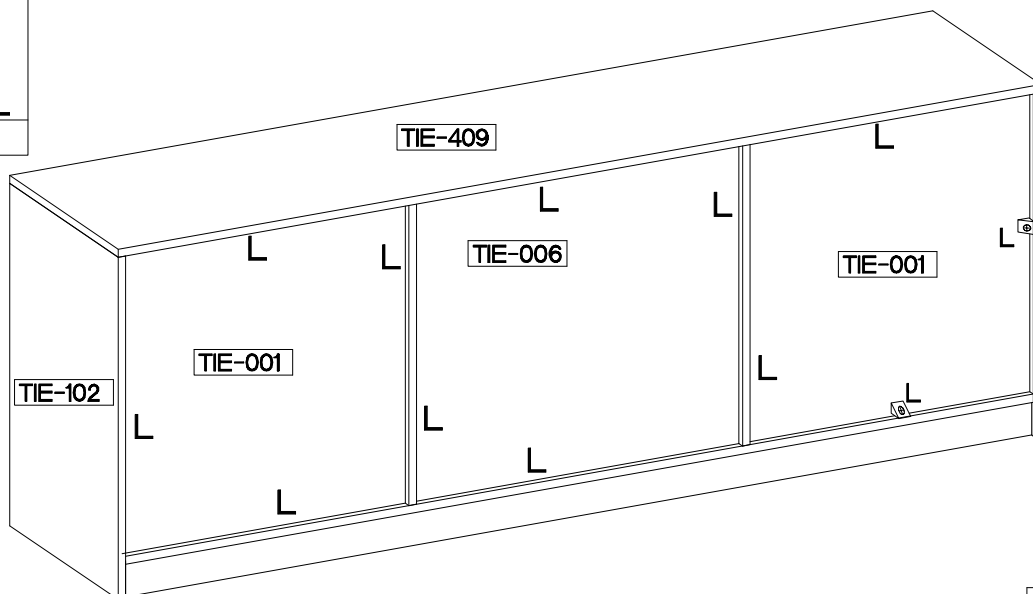


9

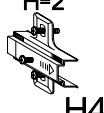





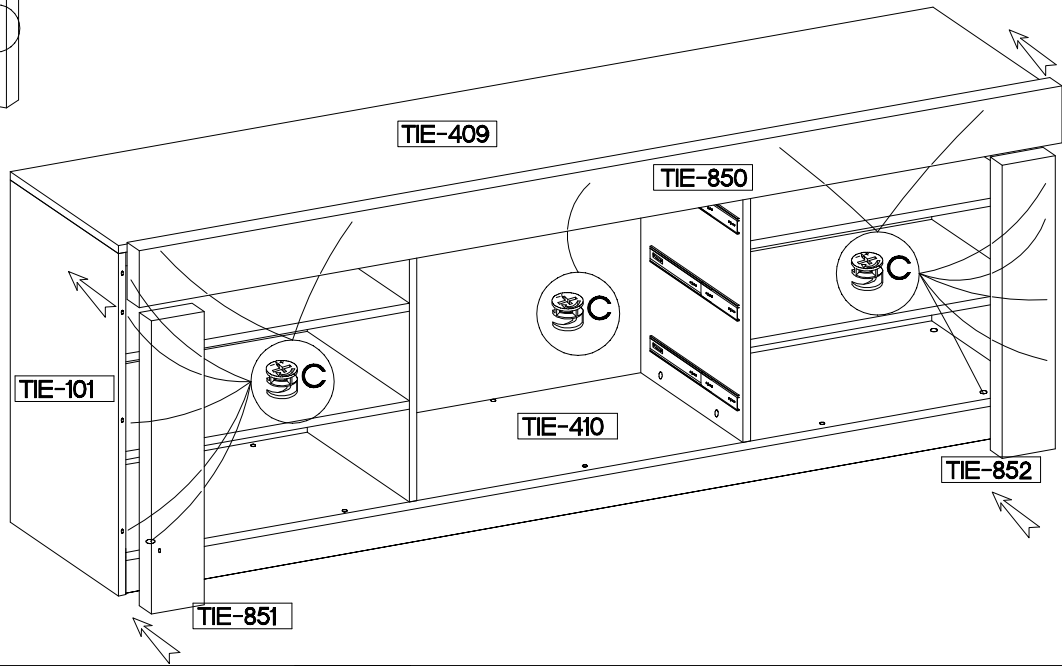
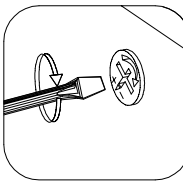
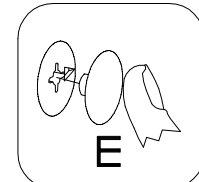
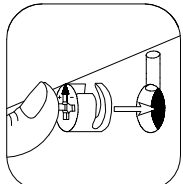
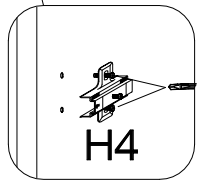
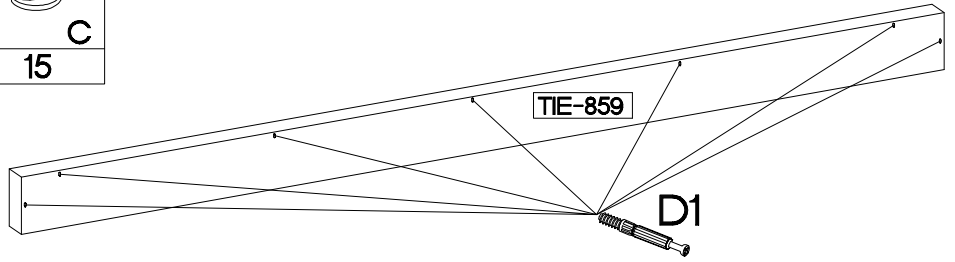
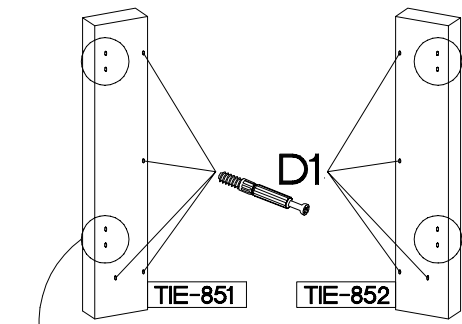
L

12

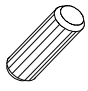




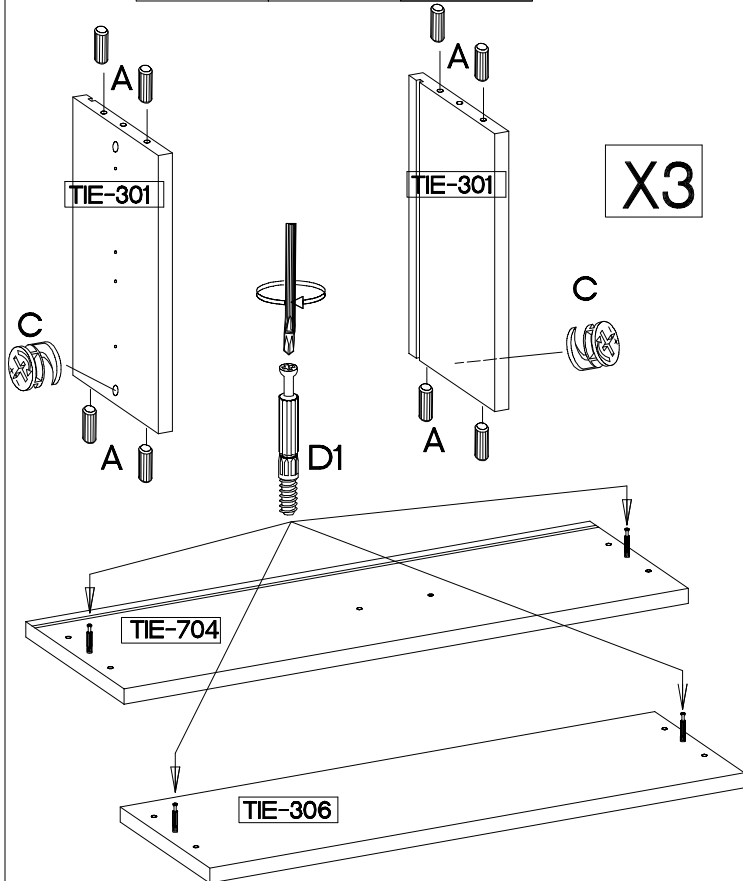
# 10

H=2  H4	 D1	 E	#15/12mm  C
4	15	15	15





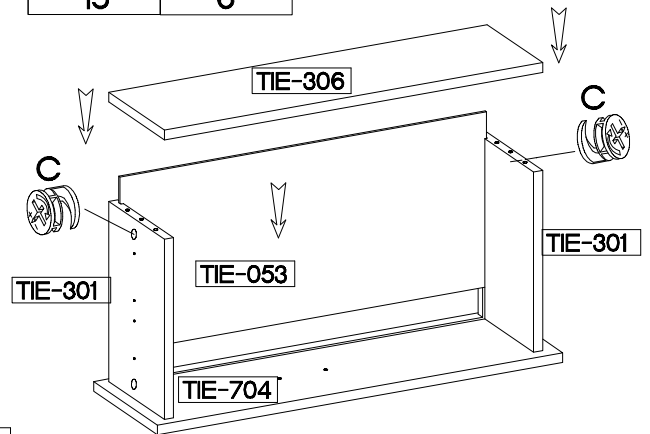
# 11

+8x30mm  A	#15/12mm  C	 D1
24	6	12

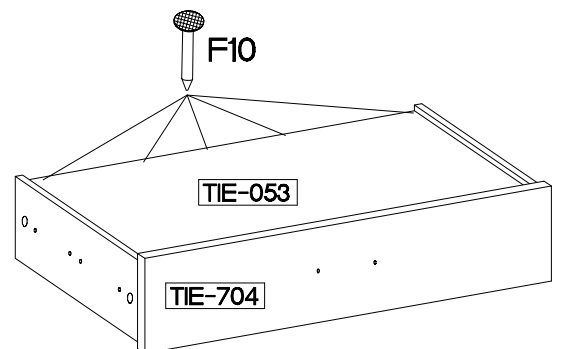


# 12


 F10	#15/12mm  C
15	6

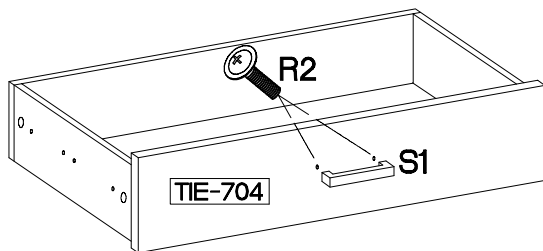


X3






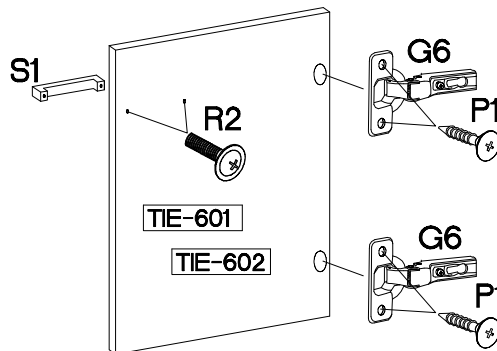
13

	M4.0x20mm
S1	R2
3	6

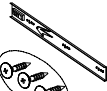


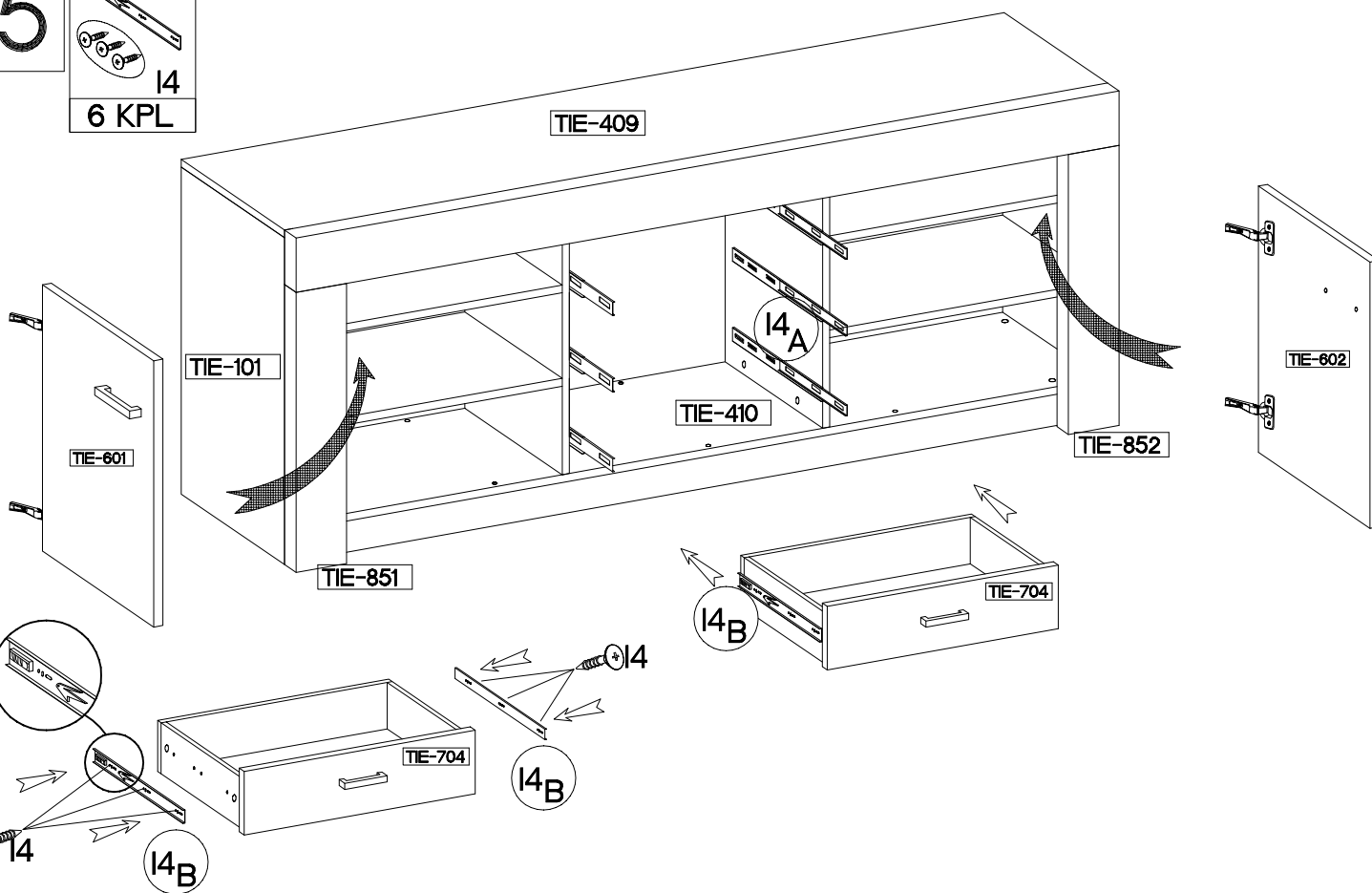
14

	M4.0x20mm		±35/90°		±4.0x16mm
S1	R2	G6		P1	
2	4	4		8	



15

	I4
6 KPL	



16

