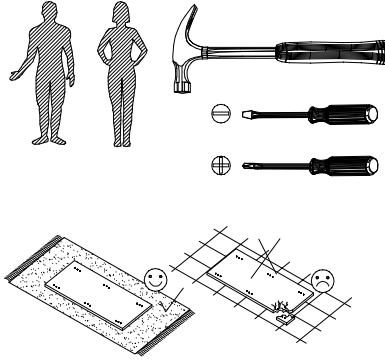
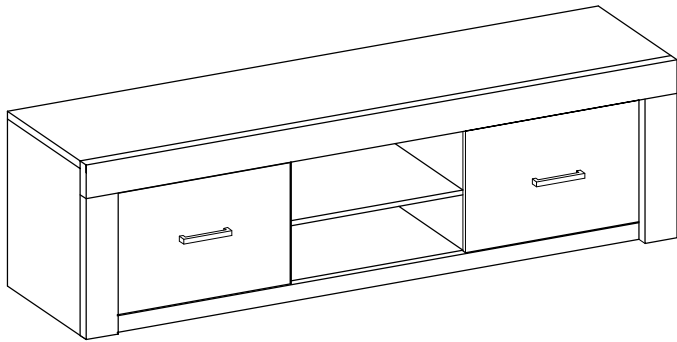
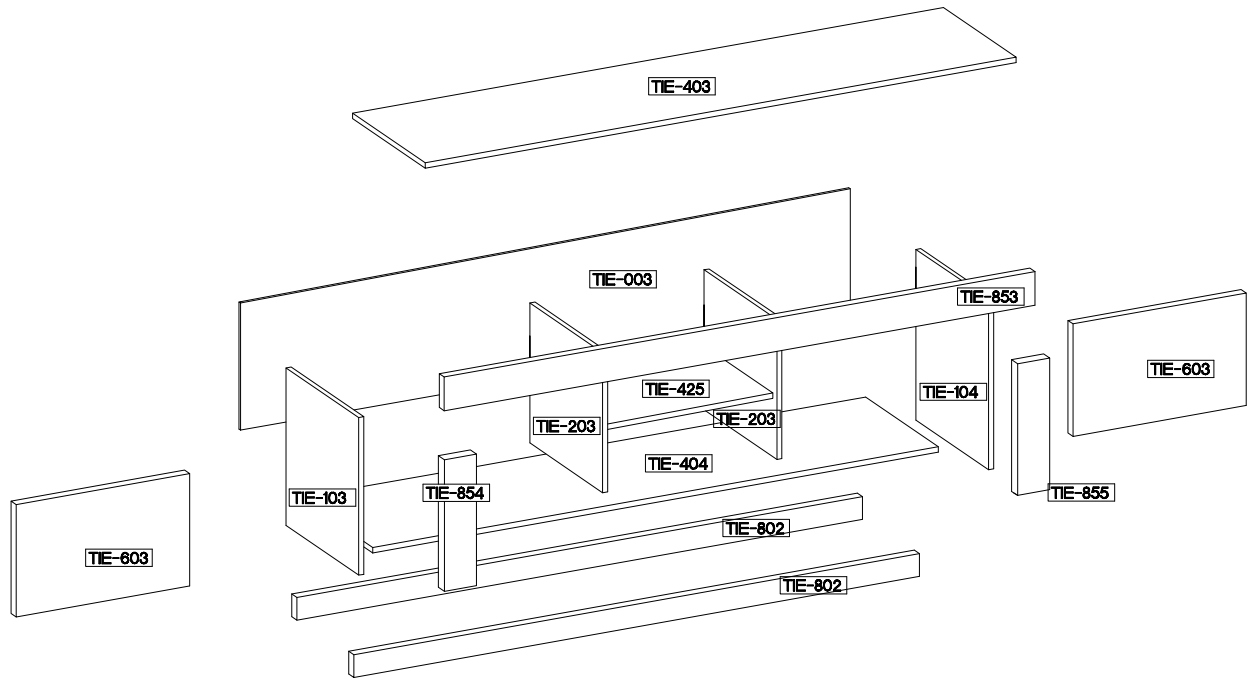
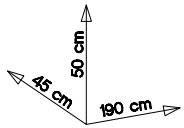


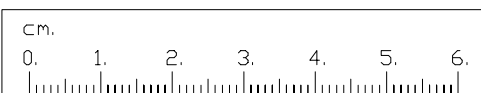
TIENEN-08



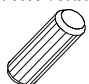



#	ART. NR	QUANTITY
1	TIE-403	1
2	TIE-404	1
3	TIE-103	1
4	TIE-104	1
5	TIE-203	2
6	TIE-425	1
7	TIE-603	2
8	TIE-802	2
9	TIE-853	1
10	TIE-854	1
11	TIE-855	1
12	TIE-003	1

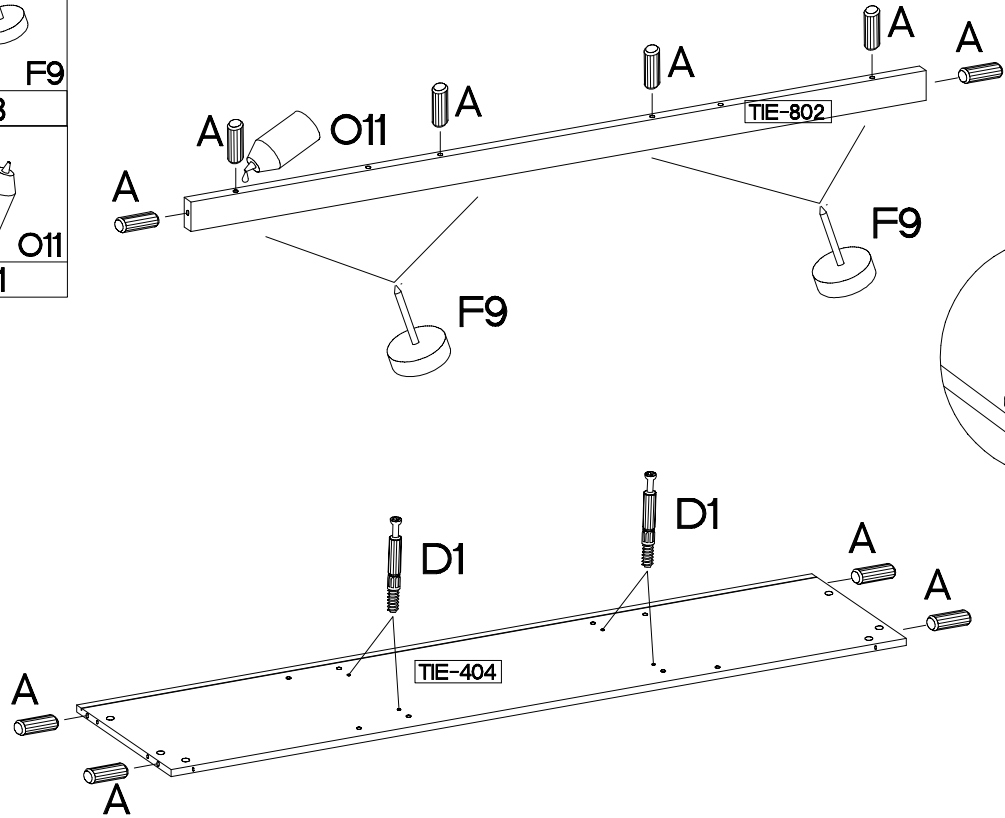
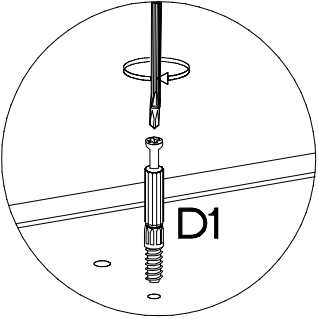


D1	$\pm 15/12\text{mm}$ C	E	$\pm 8 \times 30\text{mm}$ A	H=2 H4	$\pm 35/90^\circ$ G6	L	$\pm 4.0 \times 16\text{mm}$ P1	S1	M4.0x20mm R2
32	32	32	32	4	4	8	8	2	4
F9	O11	B	O	E2					
12	1	4	1	4					




1

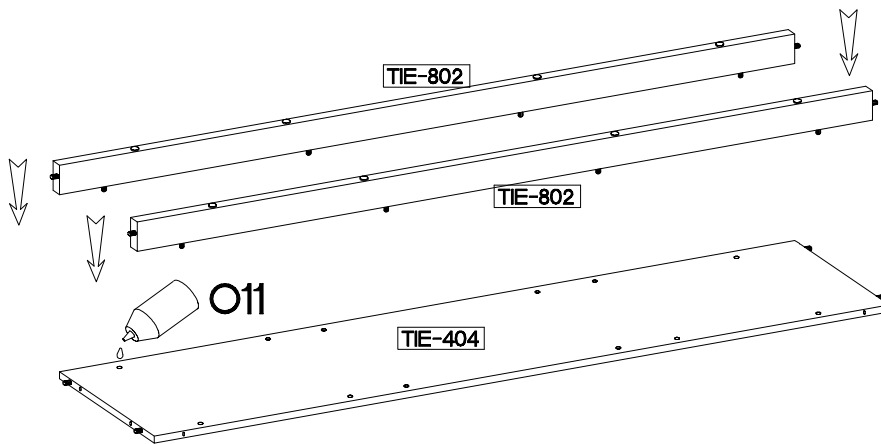
$\varnothing 8 \times 30 \text{mm}$  A	 F9
16	8
 D1	 O11
4	1



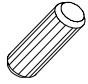


X2

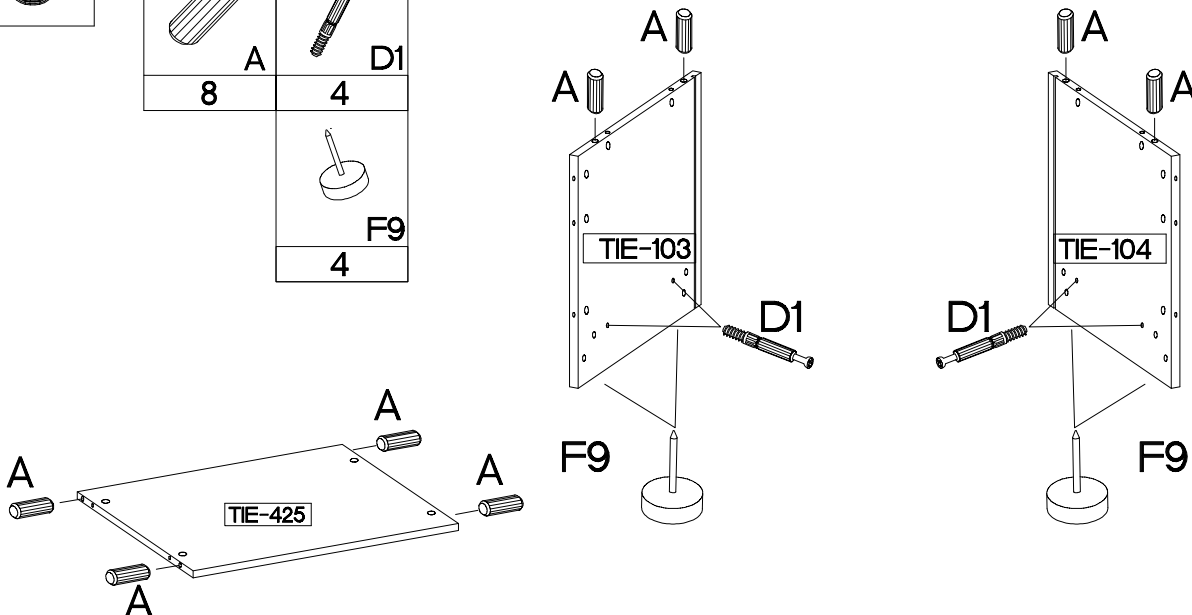
2

 O11
1





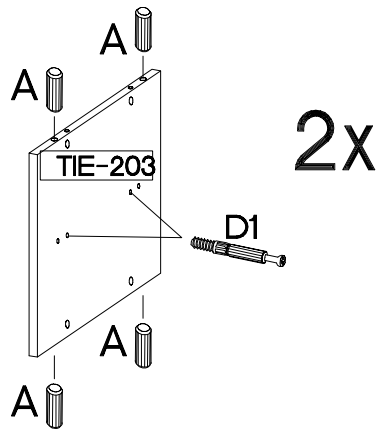
3

$\varnothing 8 \times 30 \text{mm}$  A	 D1
8	4
 F9	
4	








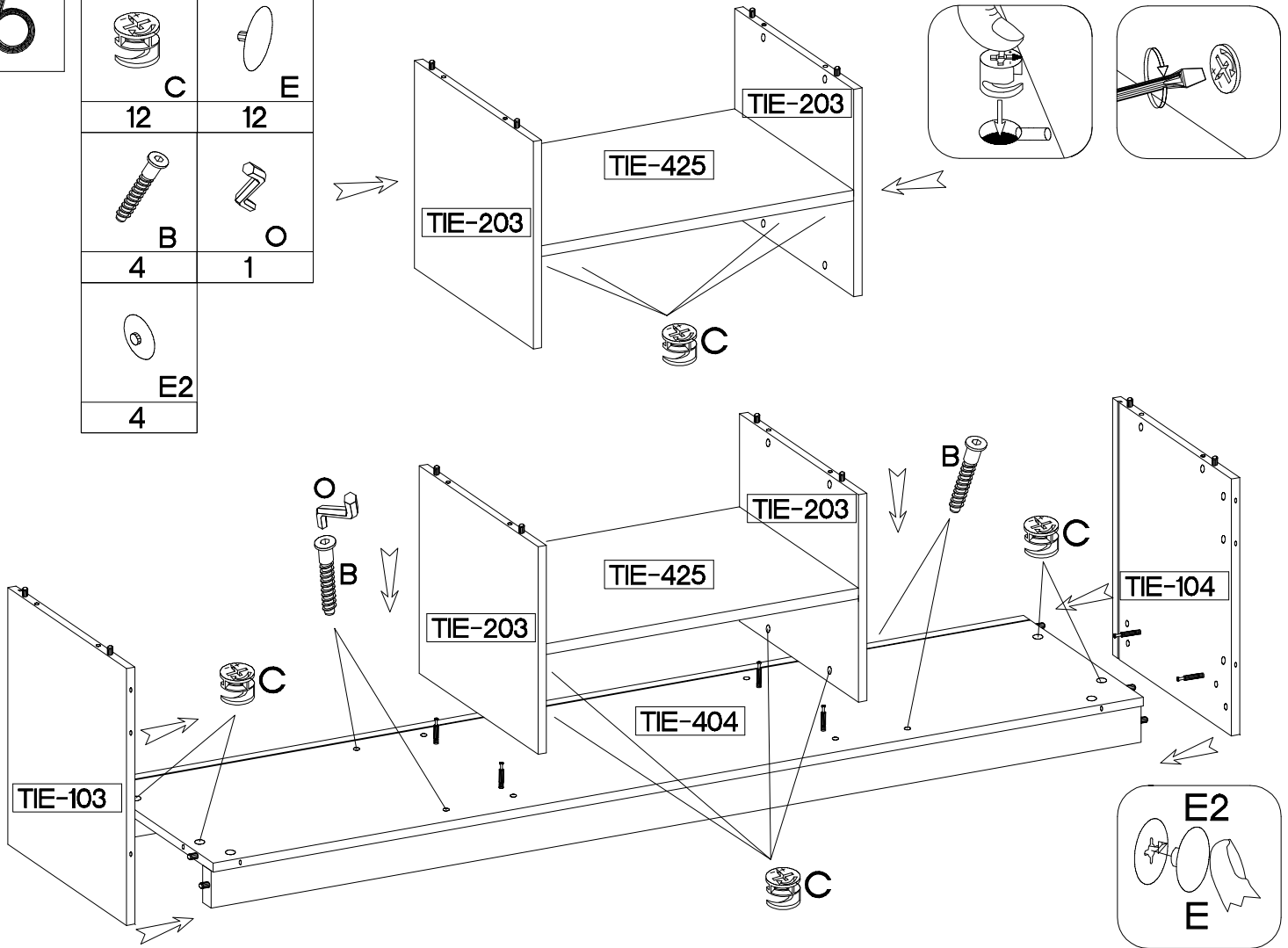
4

±8x30mm		
	A	D1
	8	4




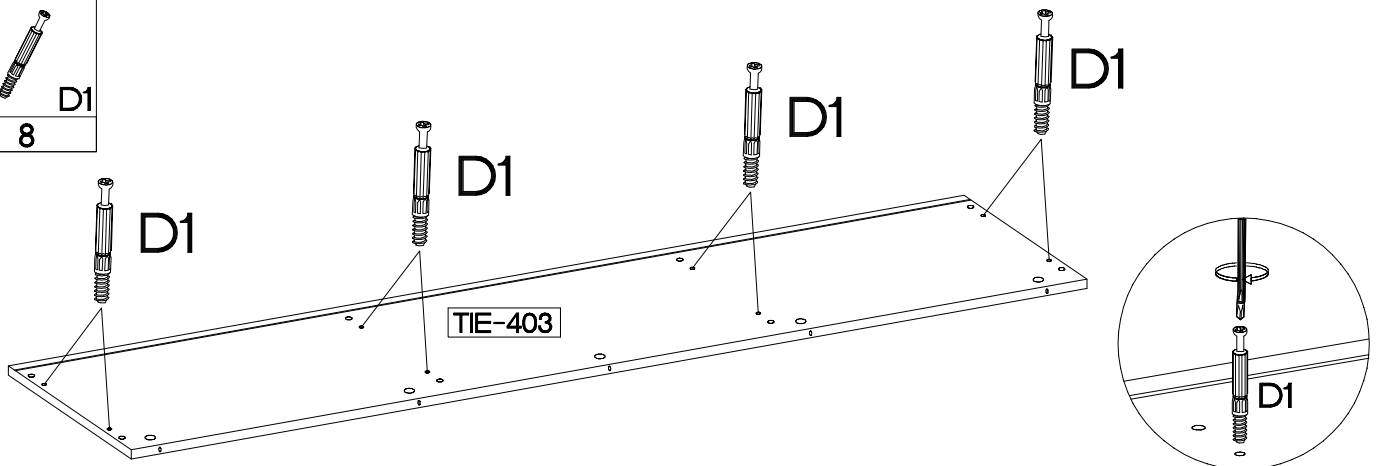
5

±15/12mm		
	C	E
	12	12
		
	B	O
	4	1
		
	E2	
	4	



6

	D1
8	



7

415/12mm



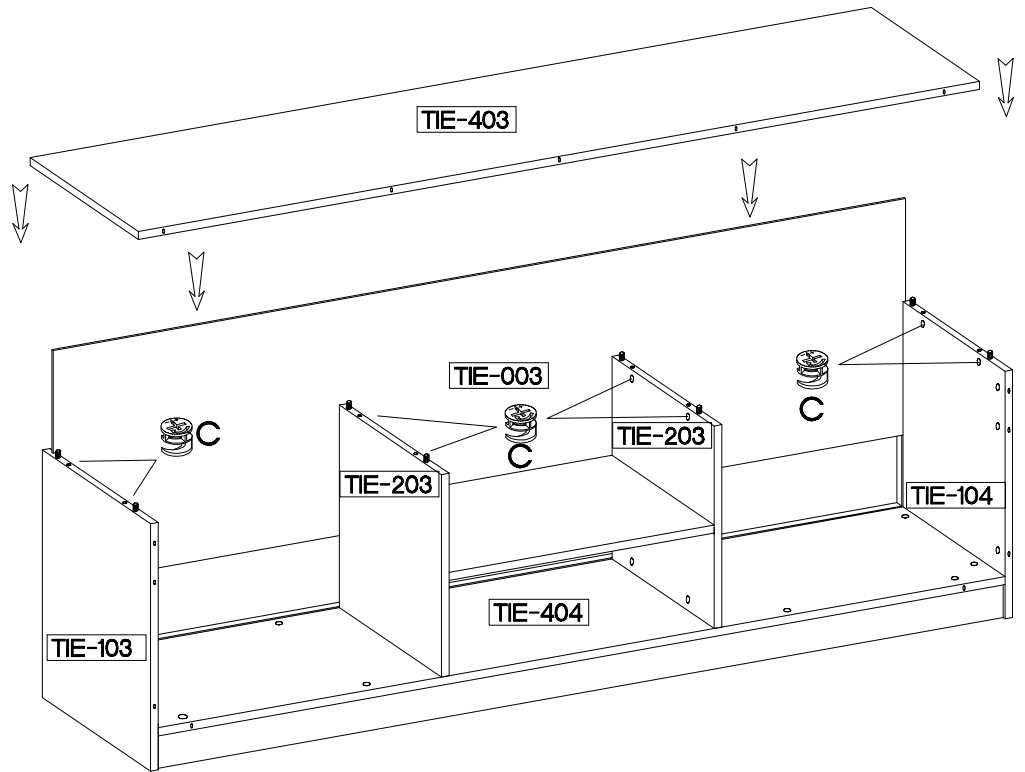
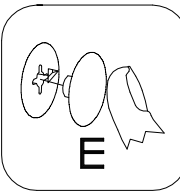
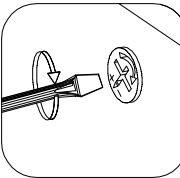
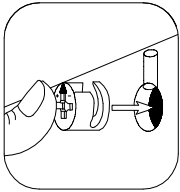
C

8



E

8

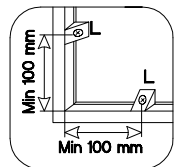
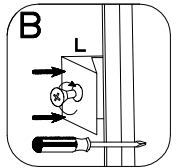
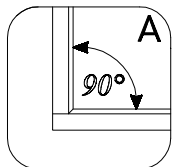
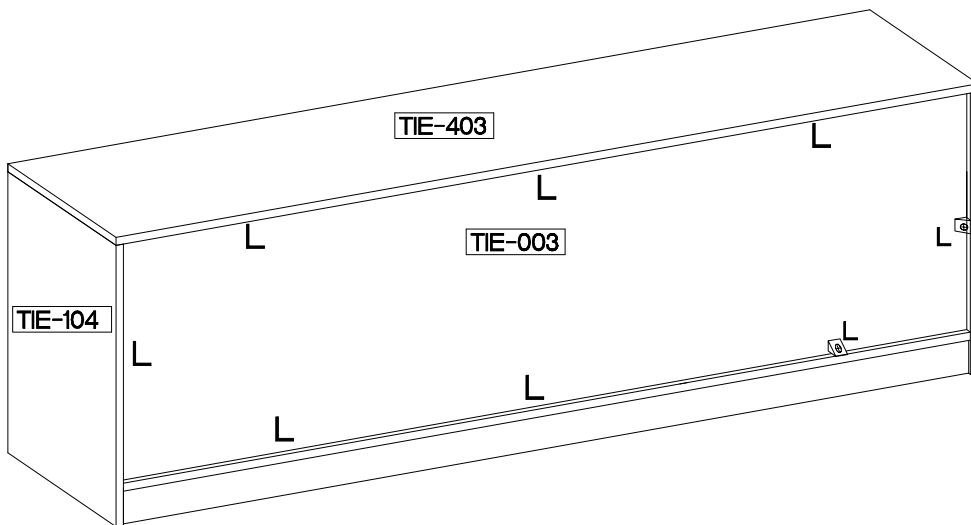


8







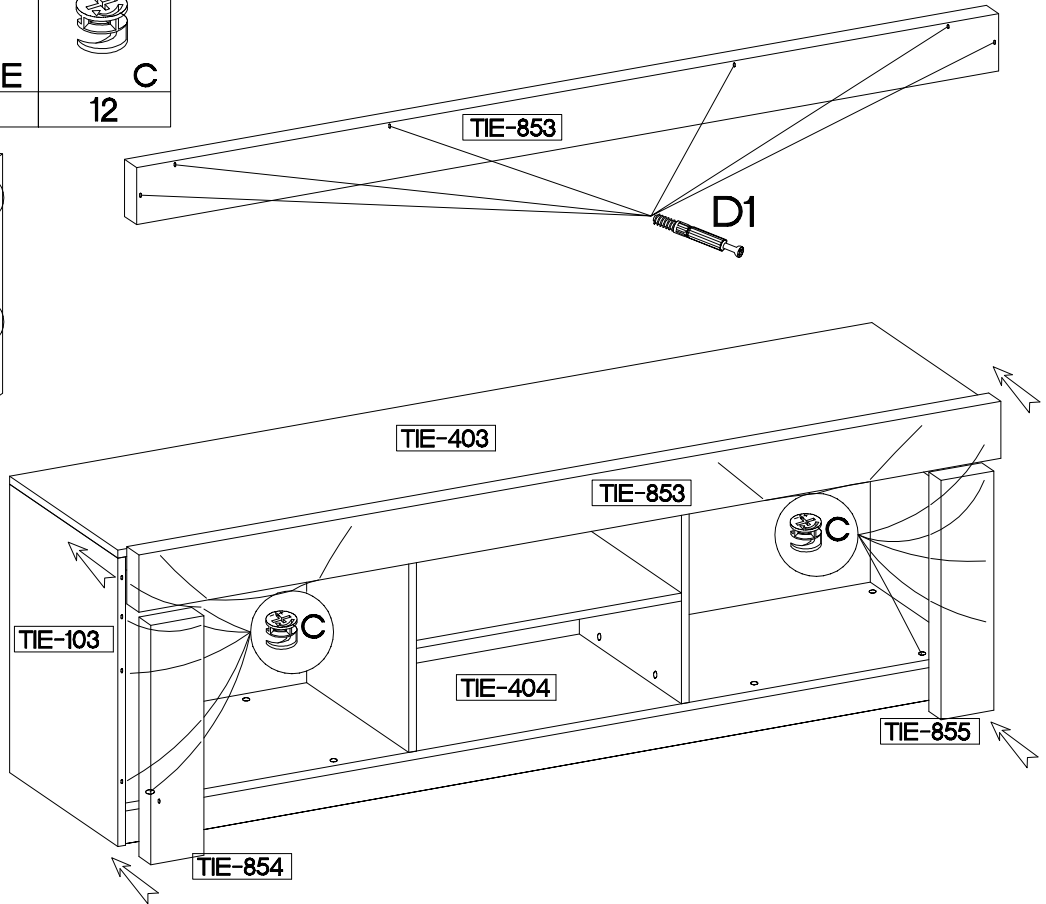
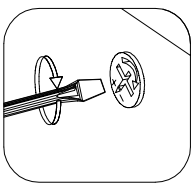
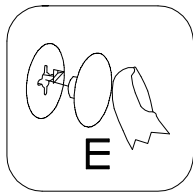
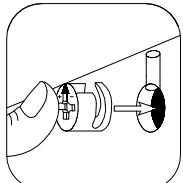
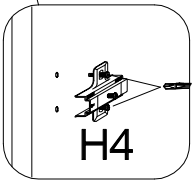
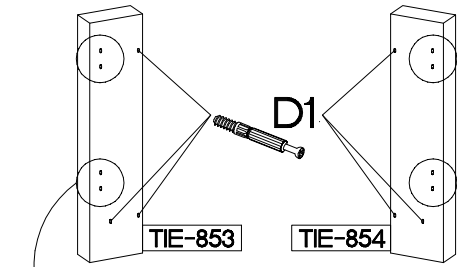
L

8







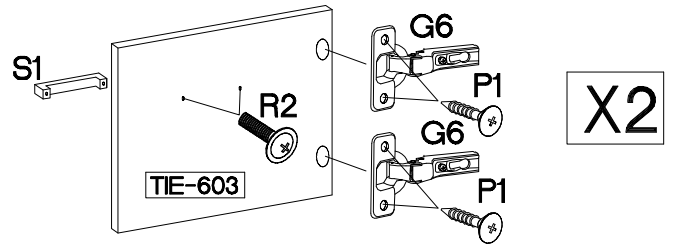
9

H=2  H4	 D1	 E	±15/12mm  C
4	12	12	12



10

 S1	M4.0x20mm  R2	±35/90°  G6	±4.0x16mm  P1
2	4	4	8



11

