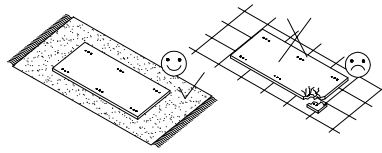
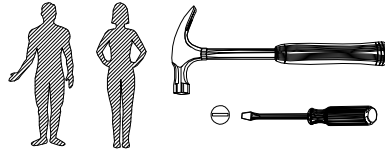
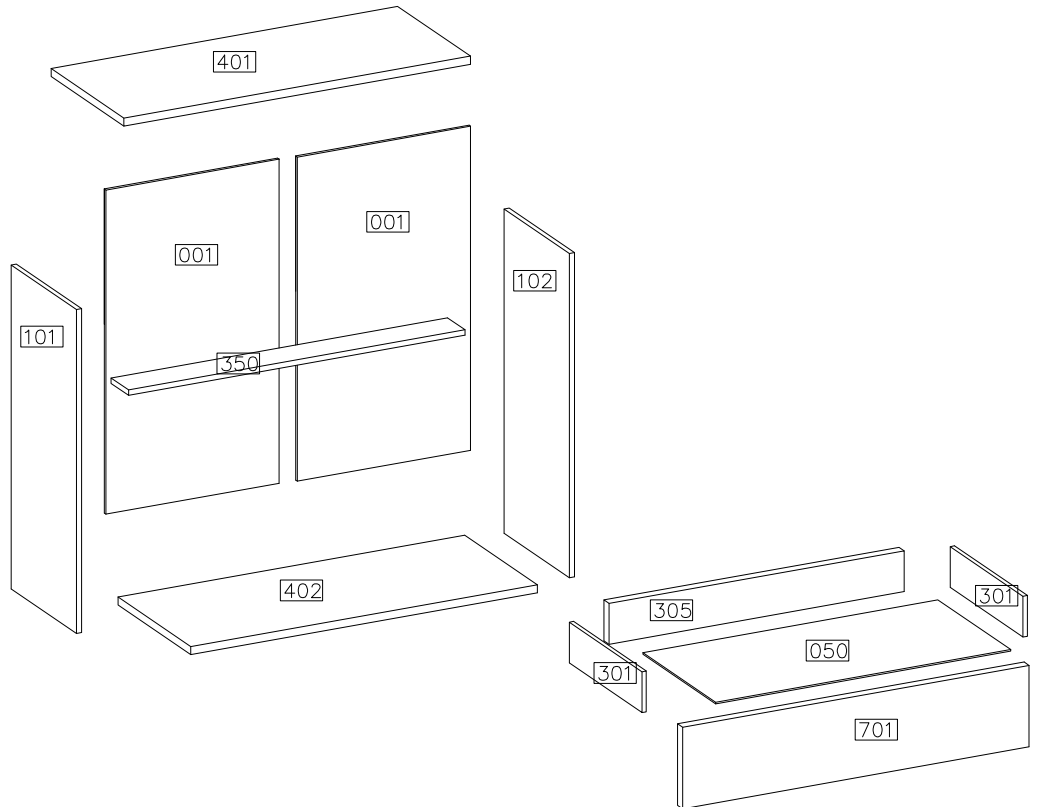
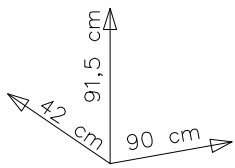





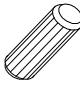





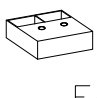
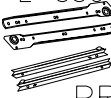



WENECJA

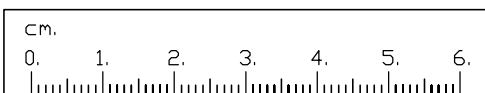
45




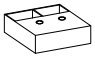
#	ART. NR	QUANTITY
1	401	1
2	402	1
3	101	1
4	102	1
5	701	4
6	301	8
7	305	4
8	050	4
9	001	2
10	350	1

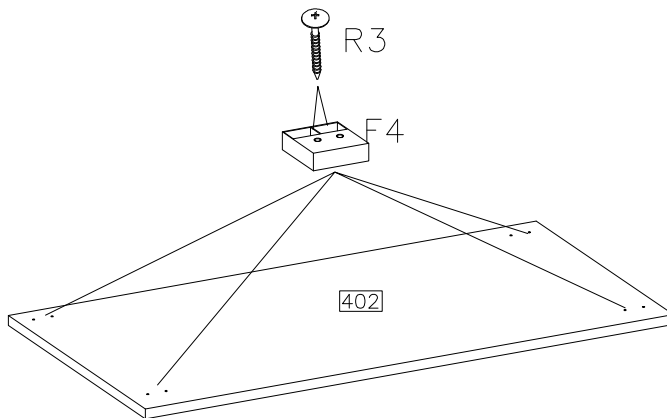


							
10	10	10	42	16	16	4	8
							
8	4	4KPL	1	100	4		



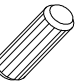


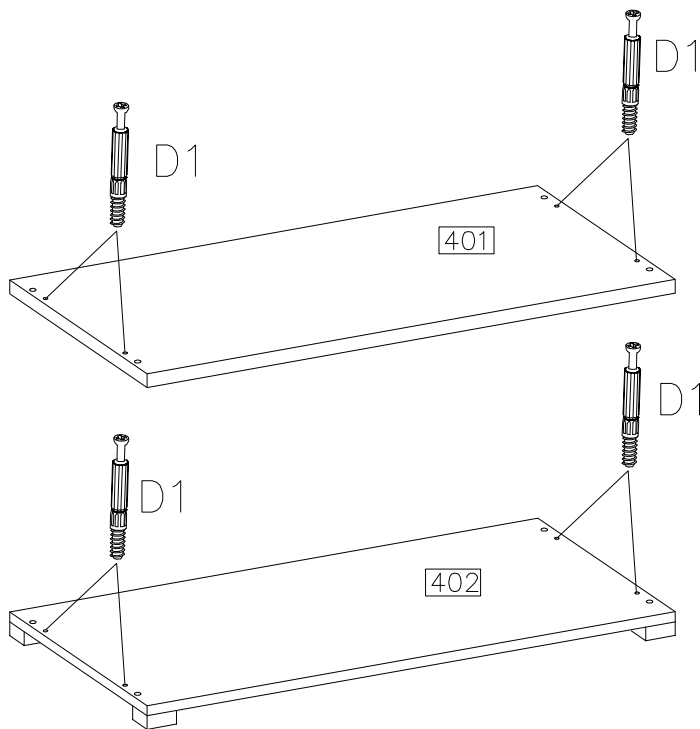
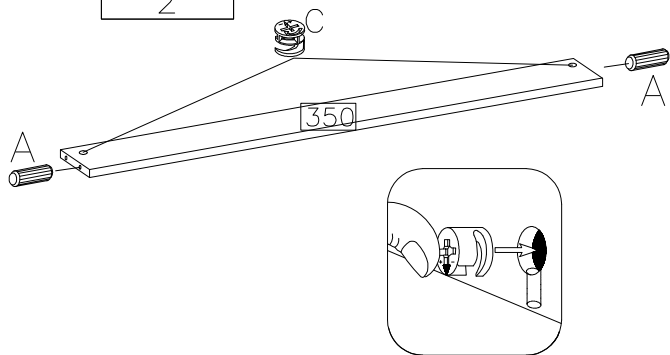
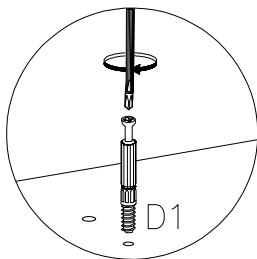
1

4.0x35mm  R3 8	 F4 4
---------------------------------------------------------------------------------------------------------	----------------------------------------------------------------------------------------------

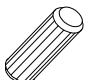




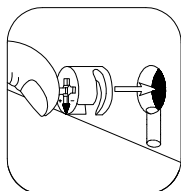
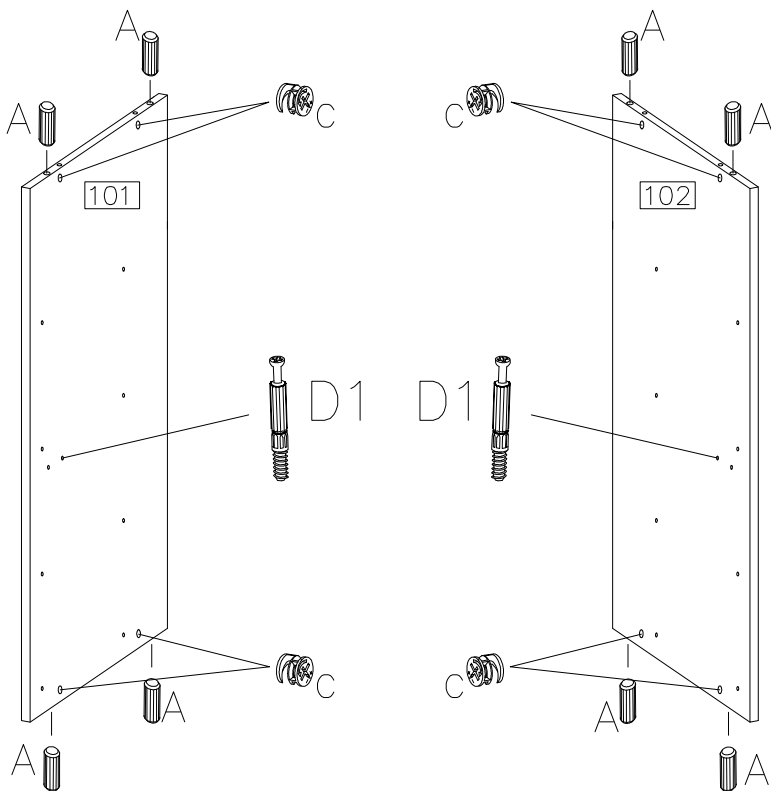
2

 D1 8	$\phi 15/12\text{mm}$  C 2
$\phi 8 \times 30\text{mm}$  A 2	

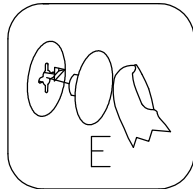
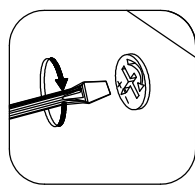
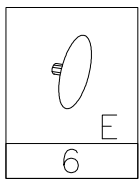


3

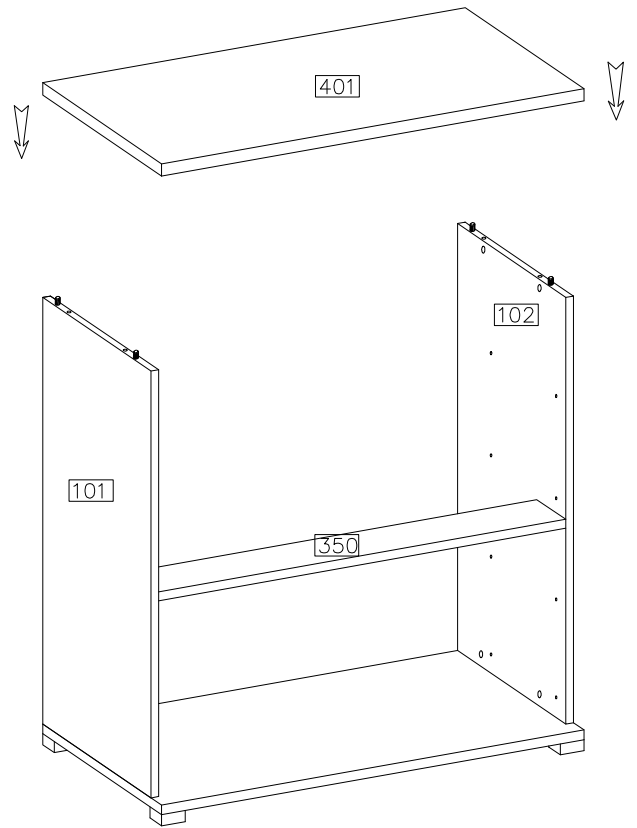
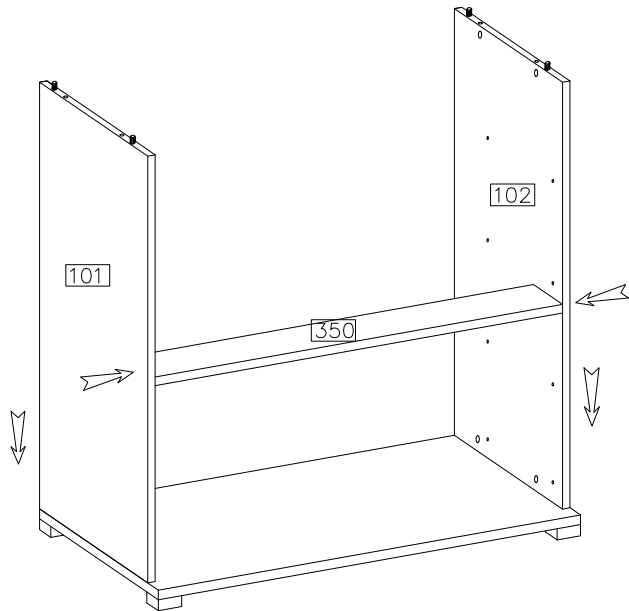
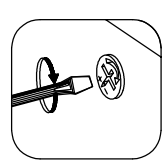
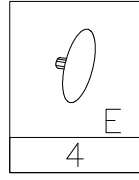
$\phi 8 \times 30\text{mm}$  A 8	$\phi 15/12\text{mm}$  C 8
 D1 2	



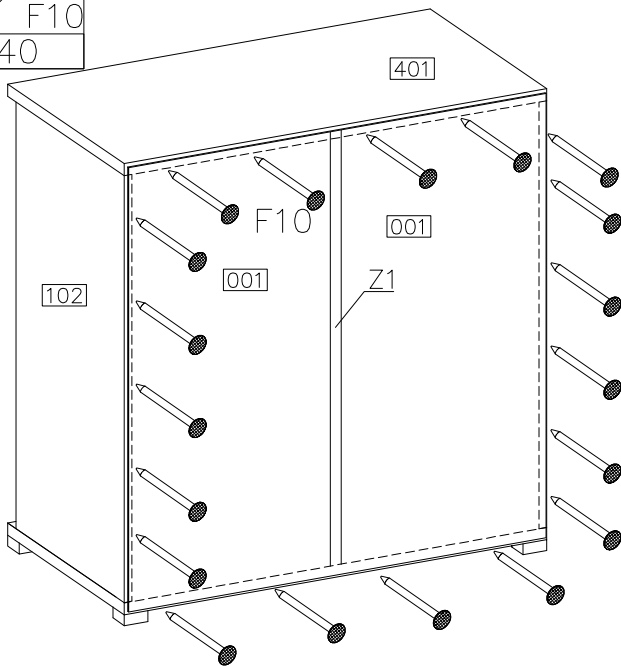
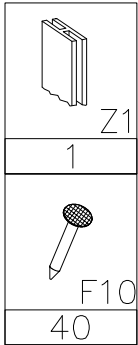
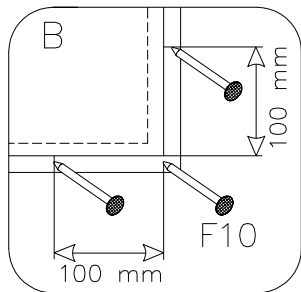
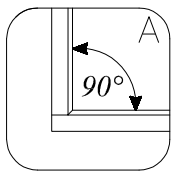
4



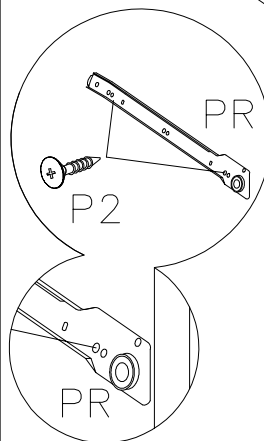
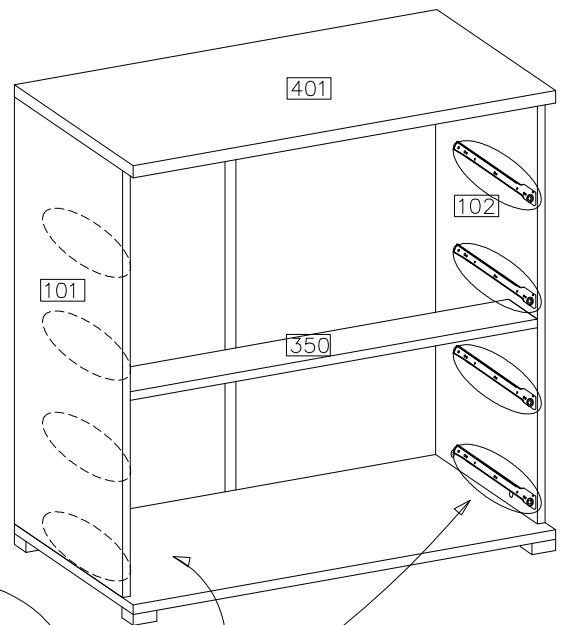
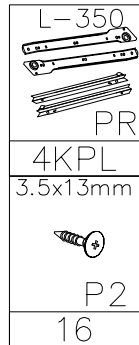
5



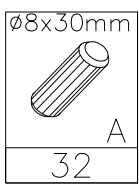
6



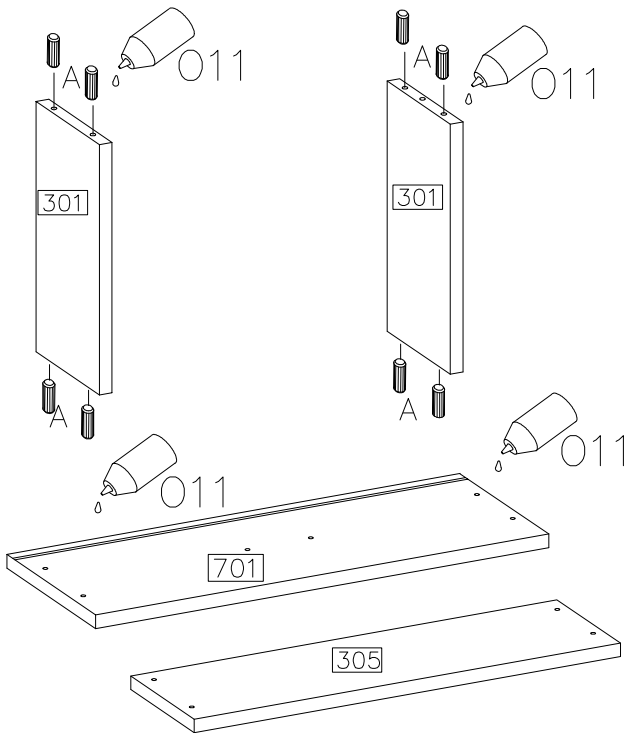
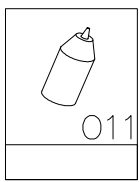
7



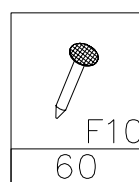
8



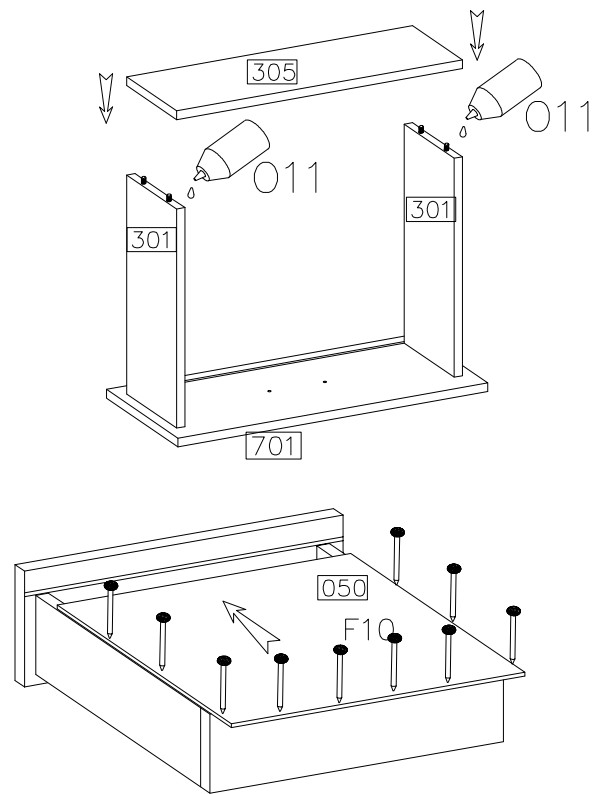
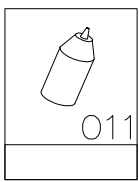
4x



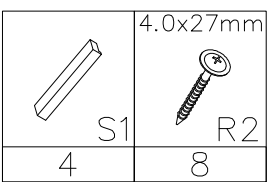
9



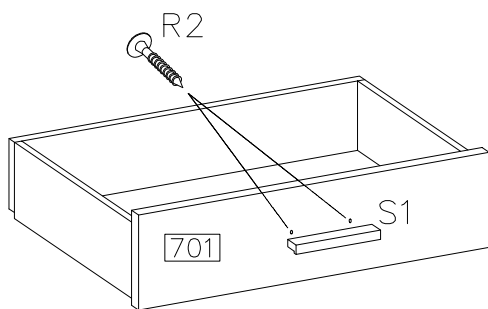
4x



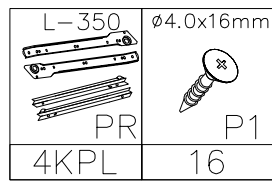
10



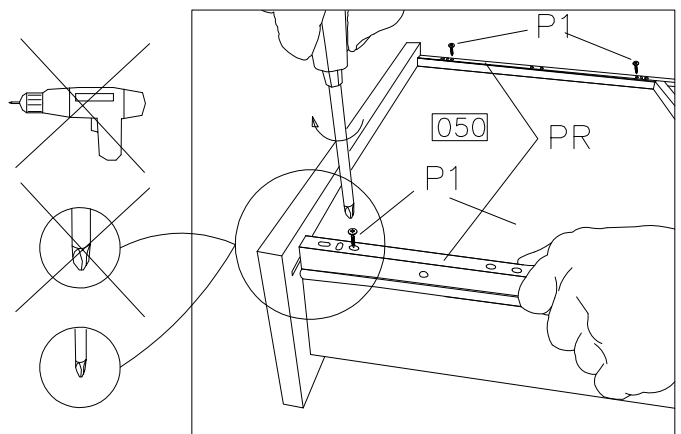
4x



11



4x



12

