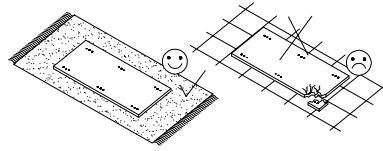
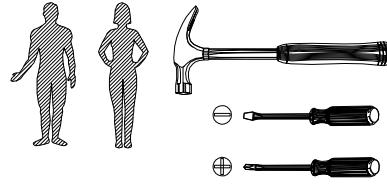
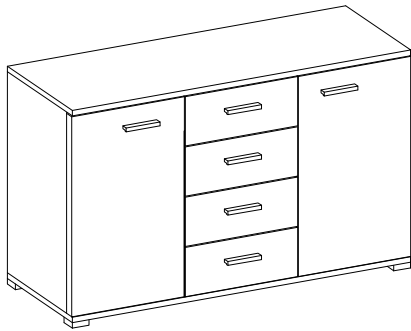
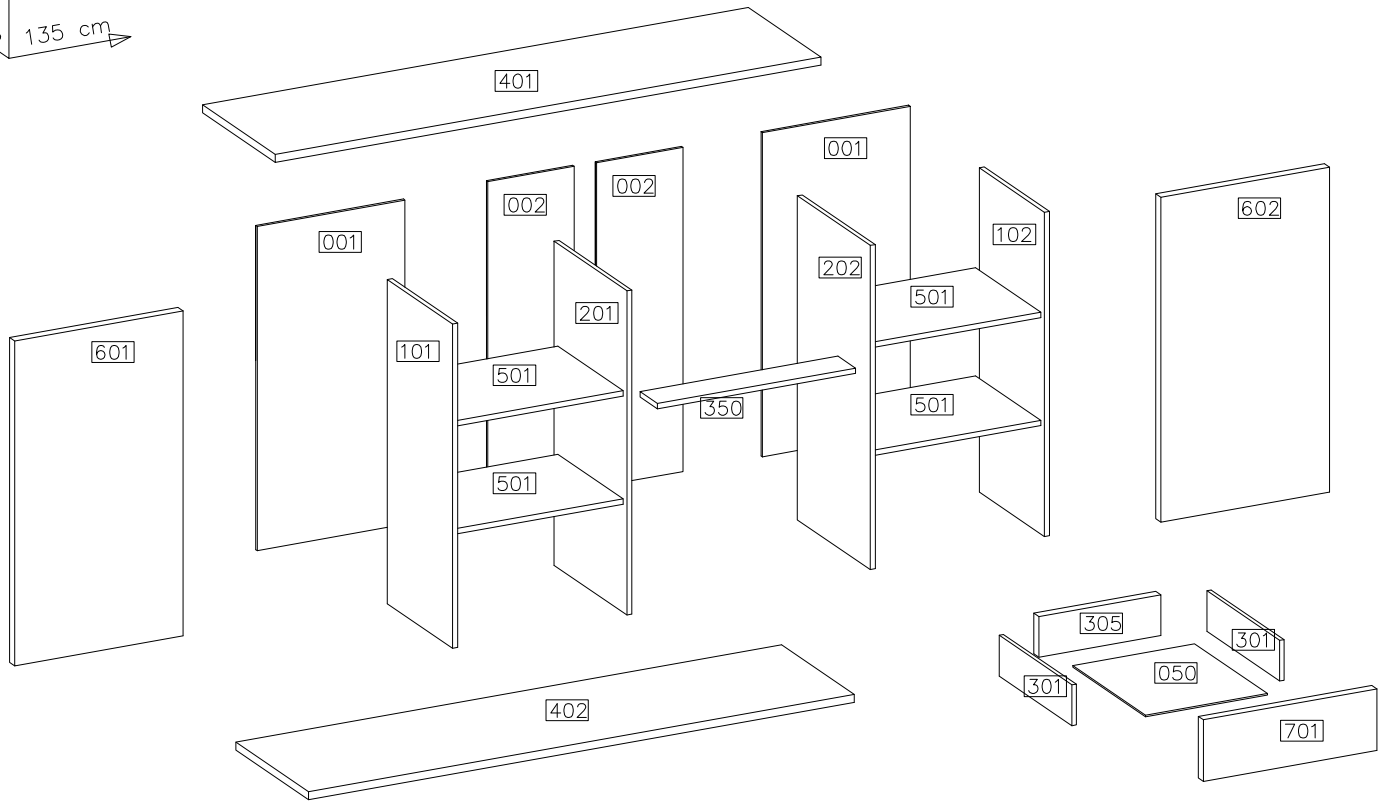
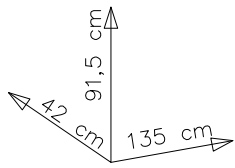


# WENECJA

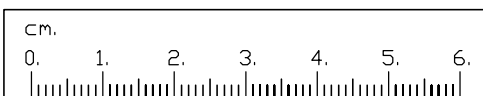
## 26



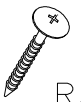
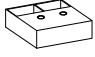
#	ART. NR	QUANTITY
1	401	1
2	402	1
3	101	2
4	201	1
5	202	1
6	601	1
7	602	1
8	501	4
9	701	4
10	301	8
11	305	4
12	050	4
13	001	2
14	002	2
15	350	1

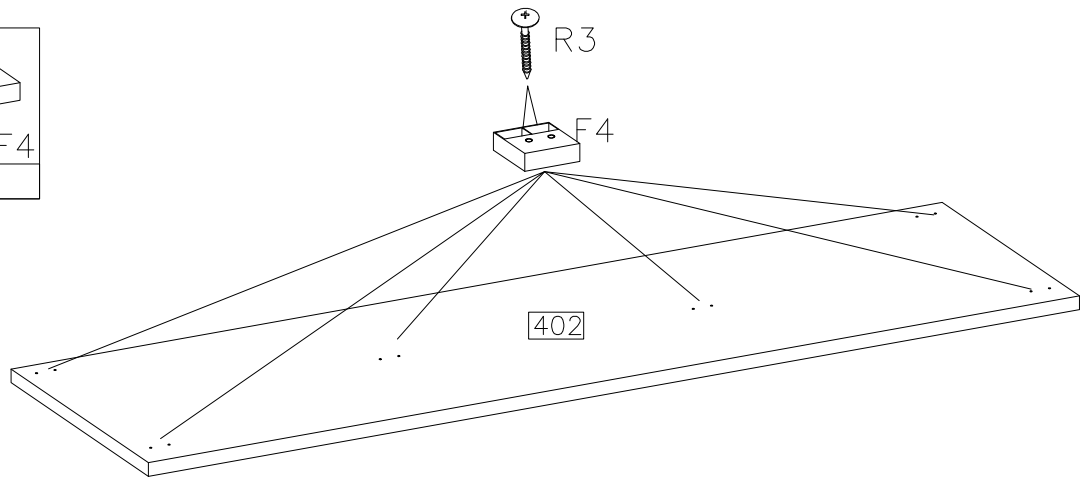


D1	C	E	A	H4	G6	P2	P1	S1	R2
18	18	18	50	4	4	16	24	6	12
R3	F4	PR	J4	Z1	F10	O11			
12	6	4KPL	16	1	100	4			




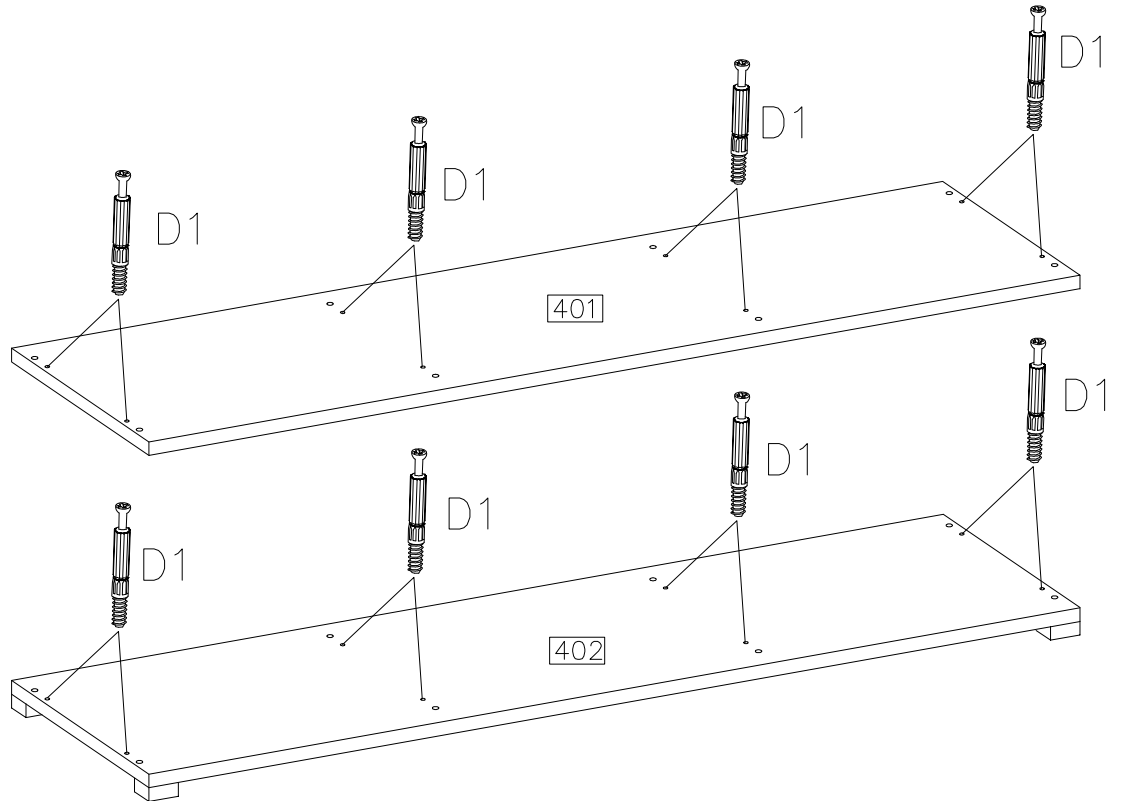
1

4.0x35mm		
	R3	F4
	12	6

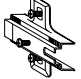
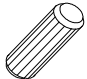




2

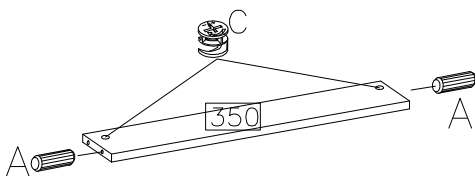
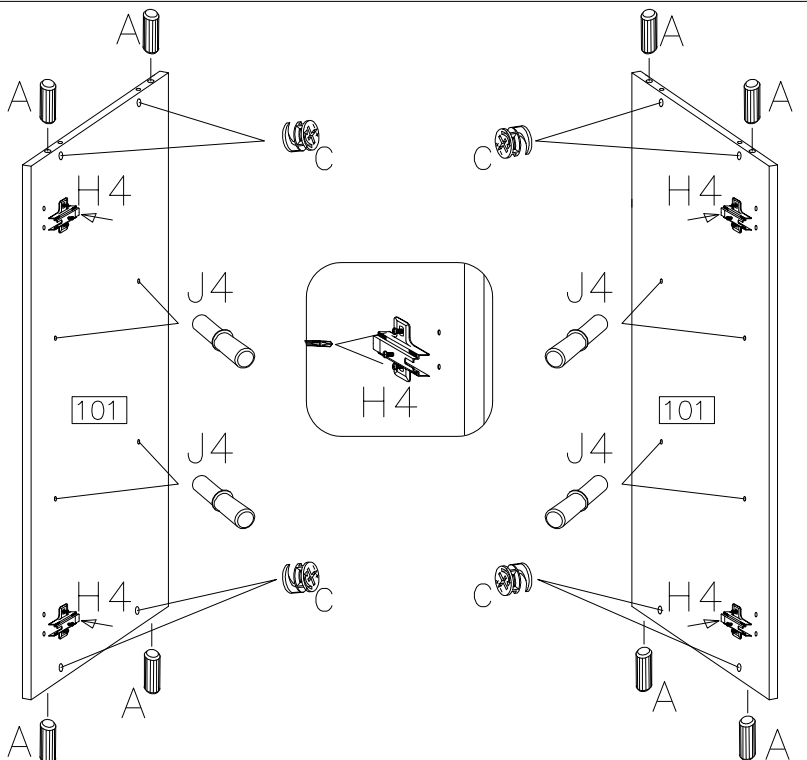
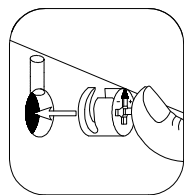
	D1
	16





3

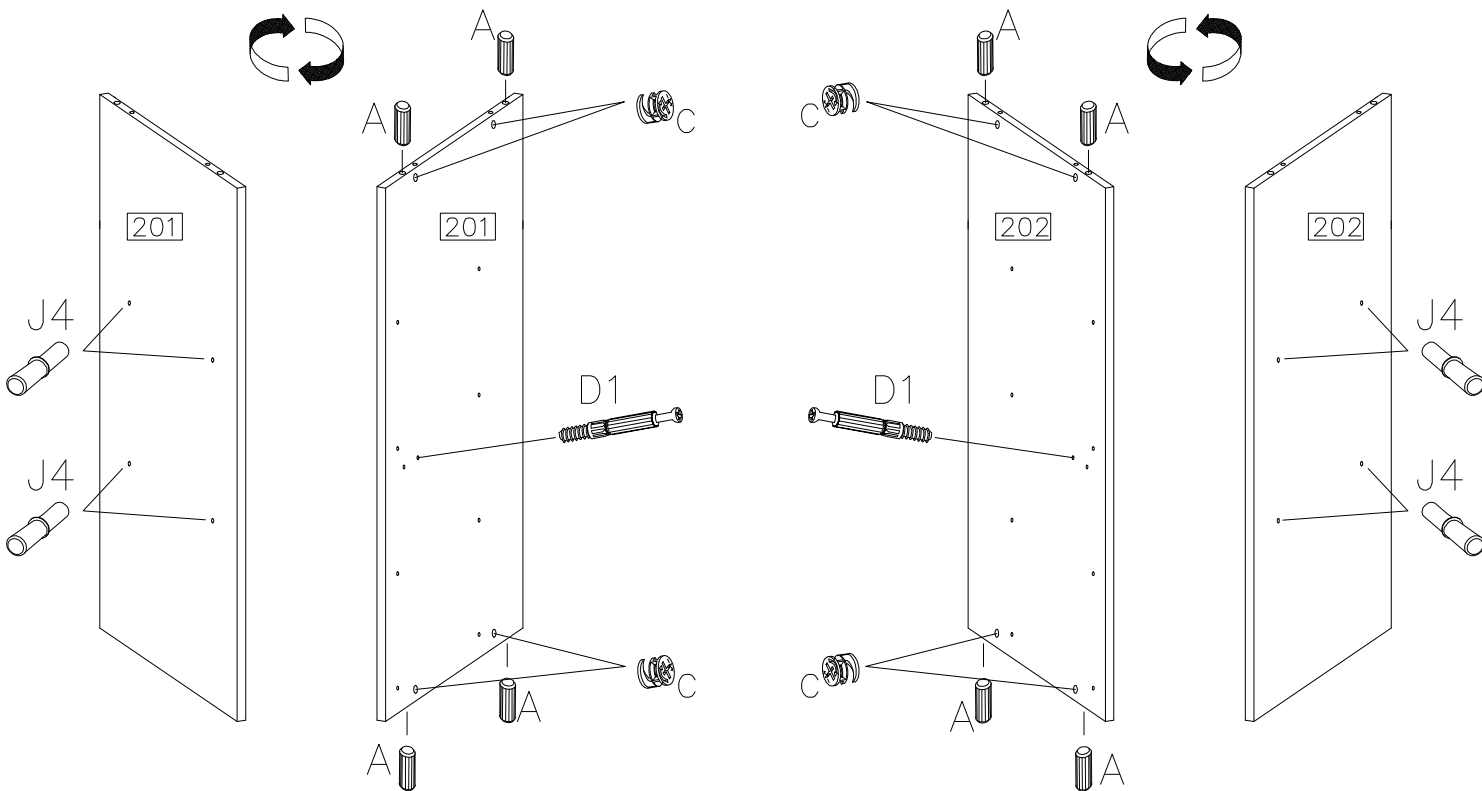
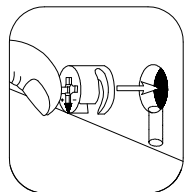
H=0	∅8x30mm	∅15/12mm
		
H4	A	C
4	10	10

	J4
	8




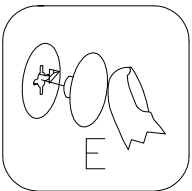
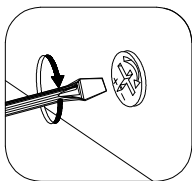
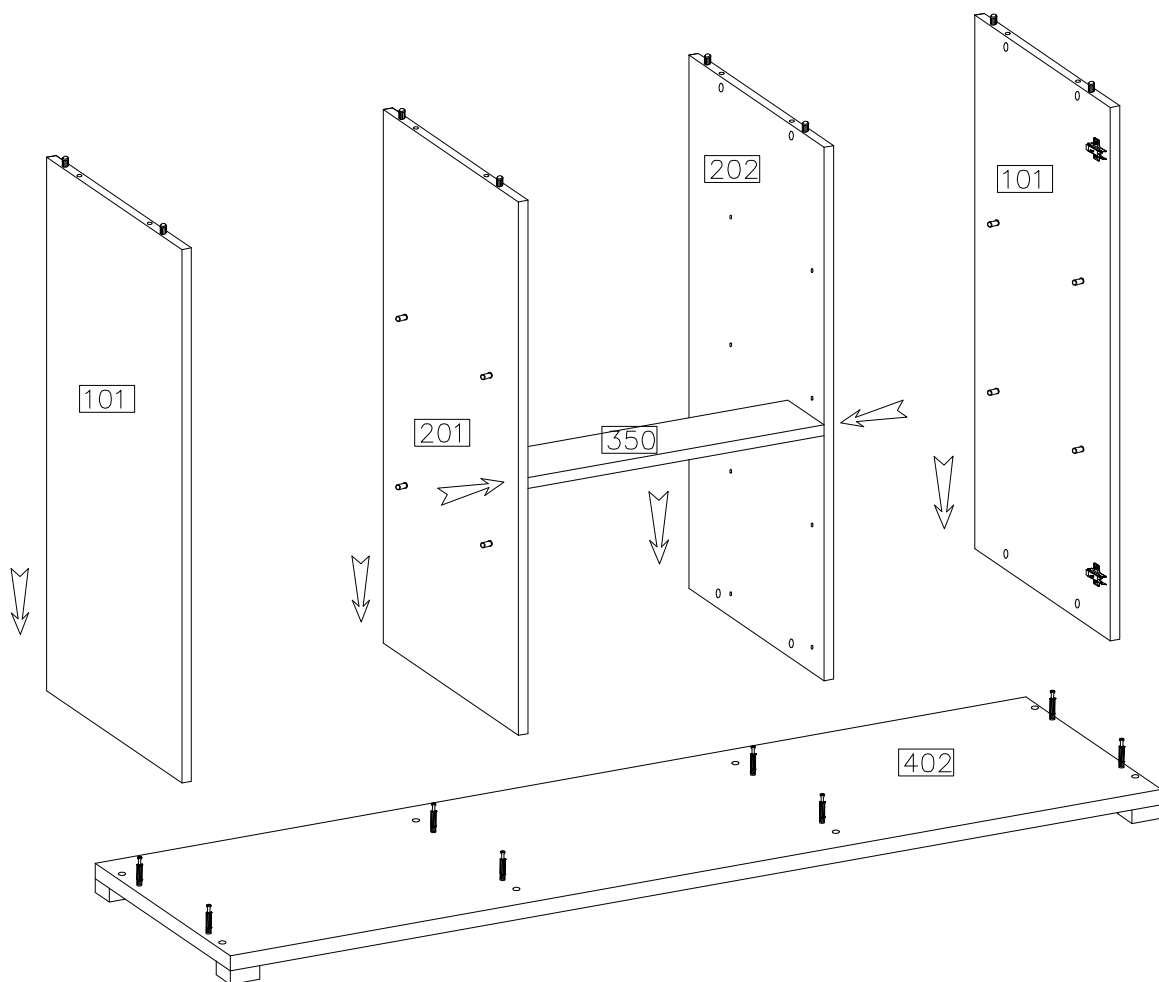
4

	$\varnothing 15/12\text{mm}$	$\varnothing 8 \times 30\text{mm}$	
D1	C	A	J4
2	8	8	8

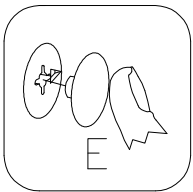
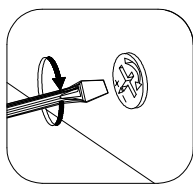
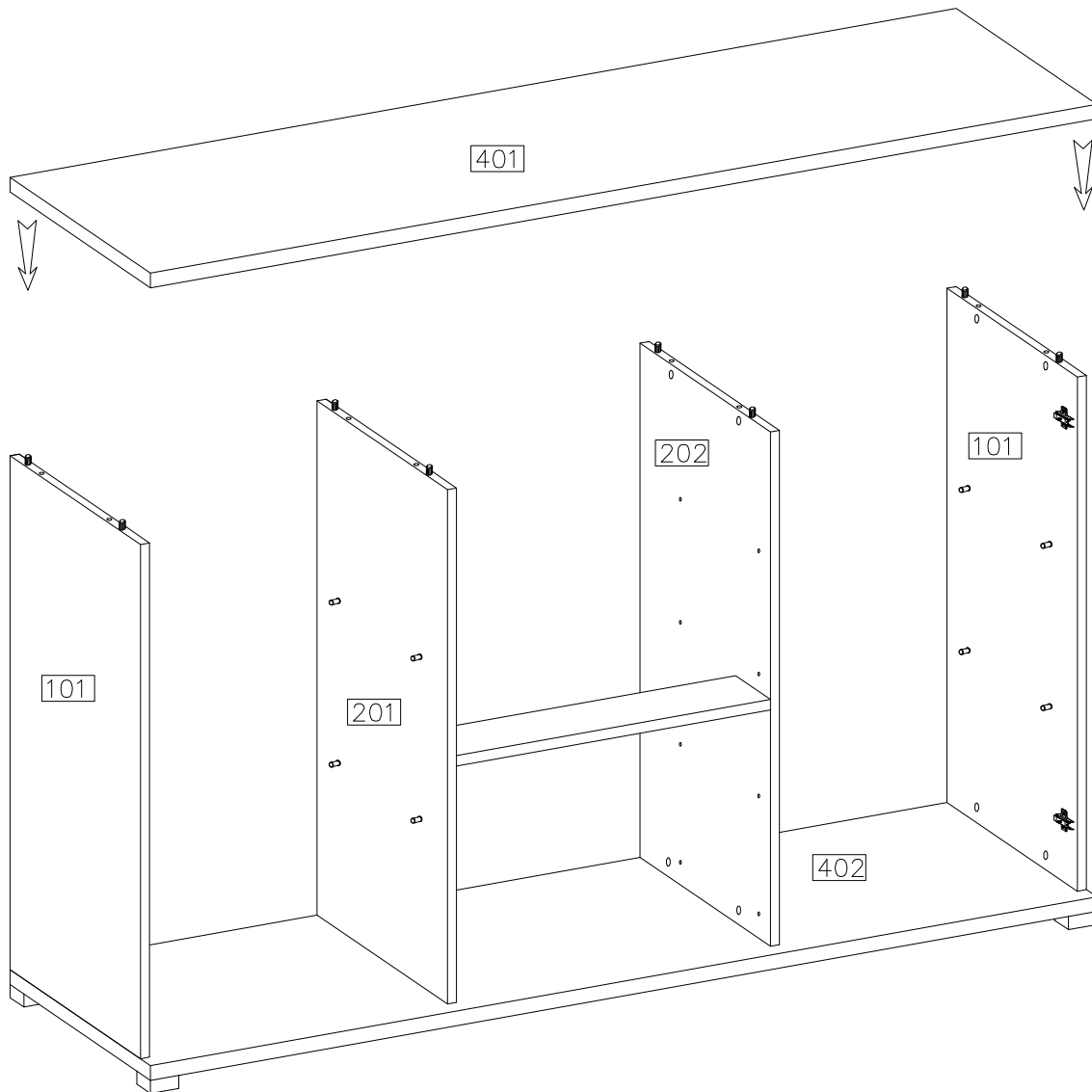
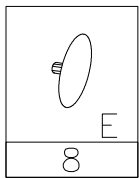


5

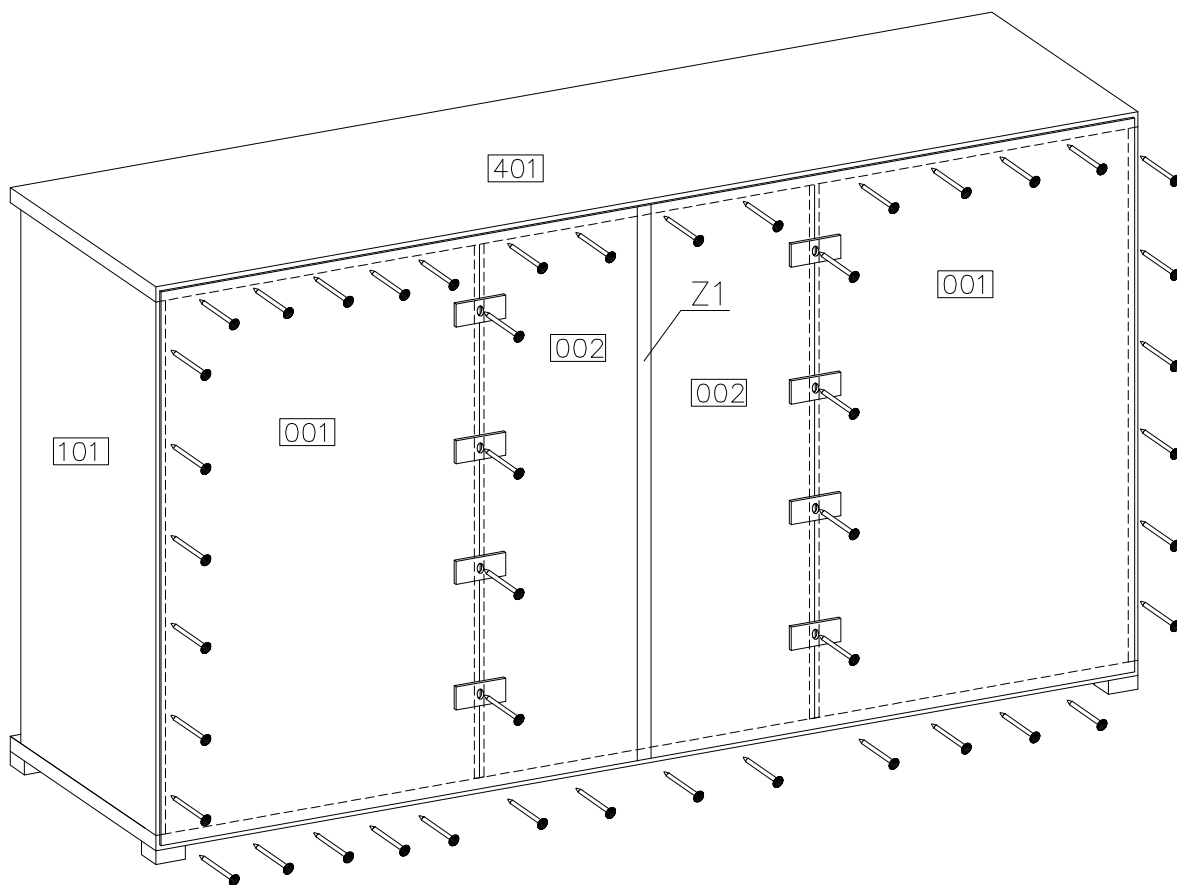
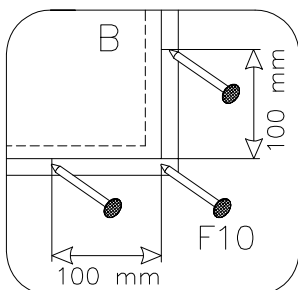
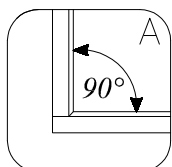
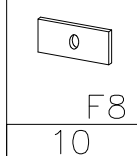
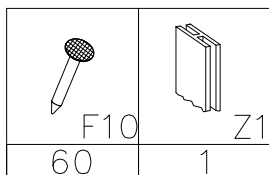

E
10



6

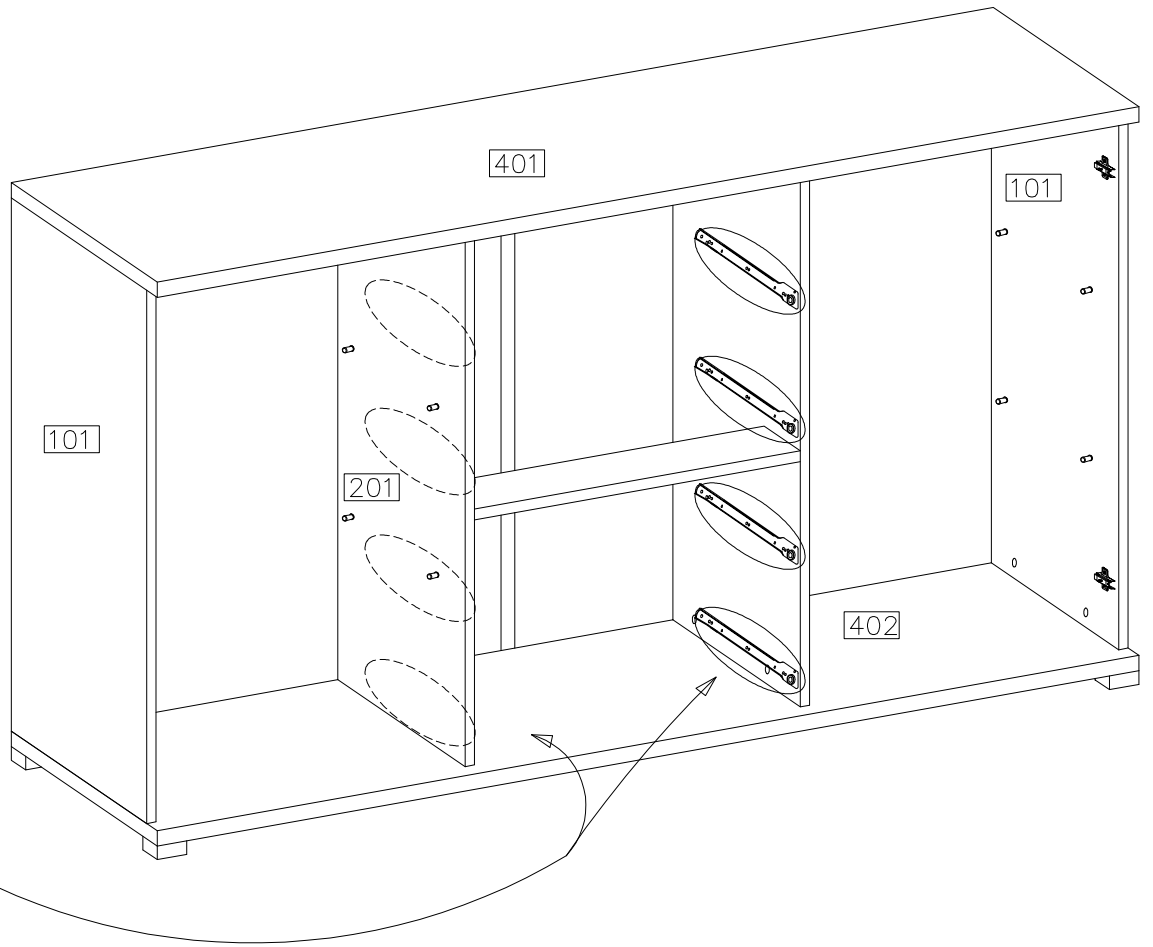
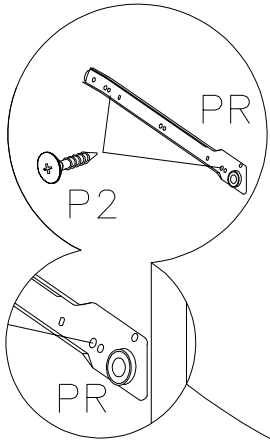


7

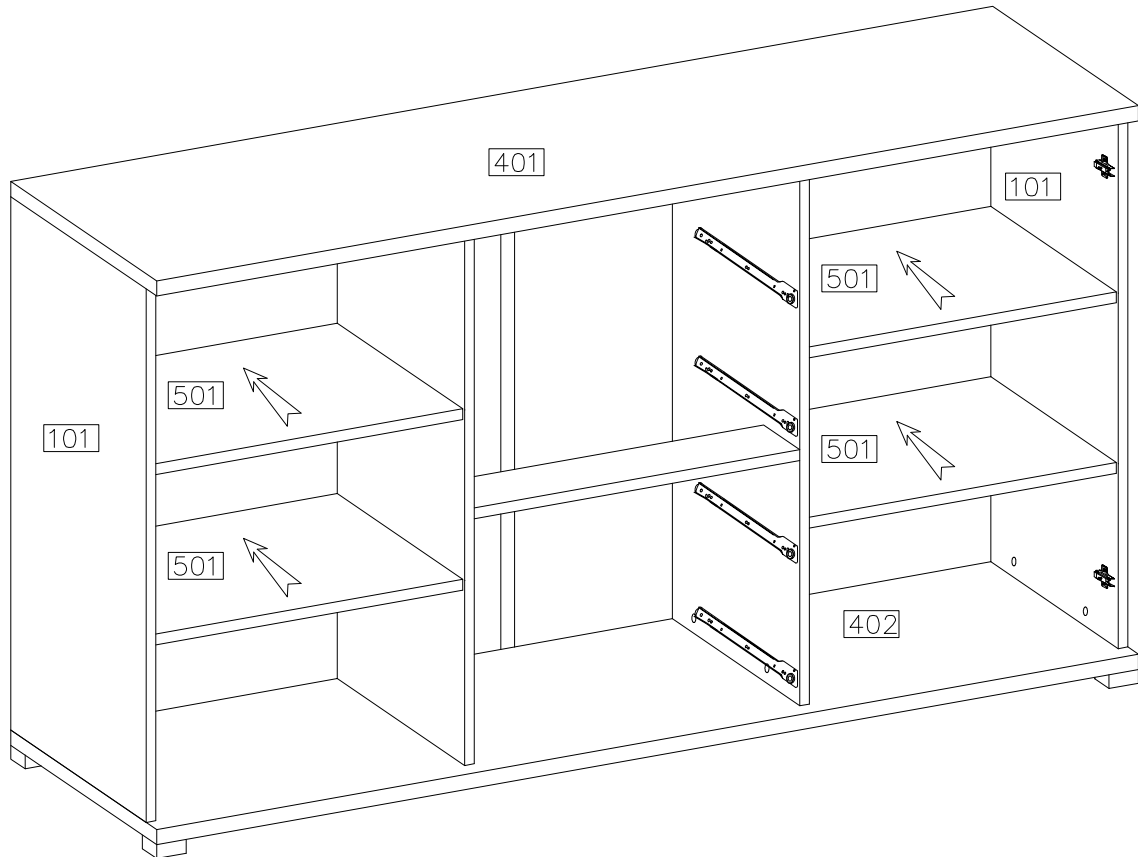


8

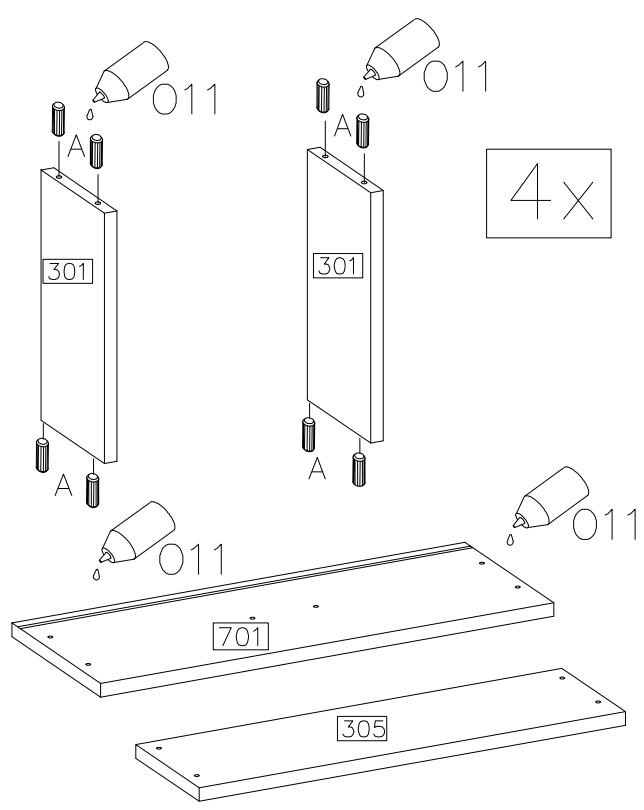
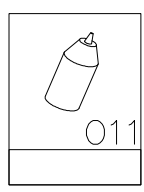
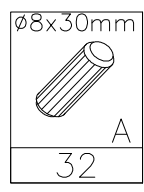
- L-350
- PR
- 4KPL
- 3.5x13mm
- P2
- 16



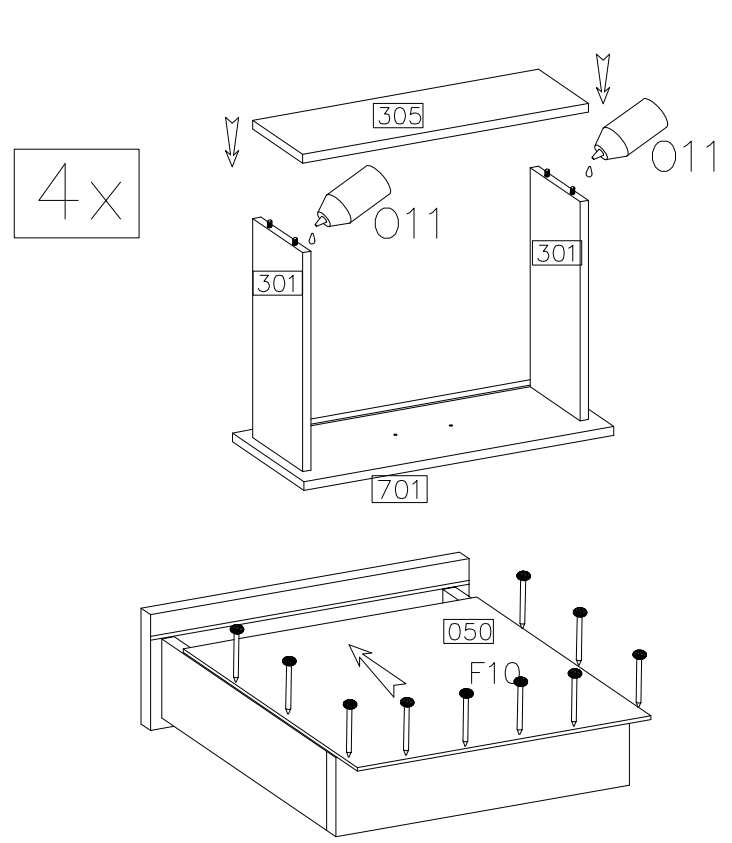
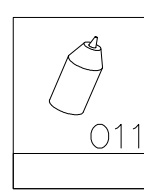
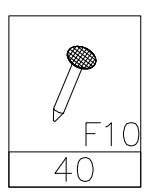
9



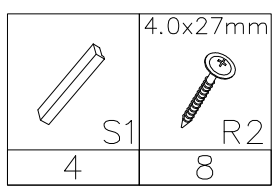
10



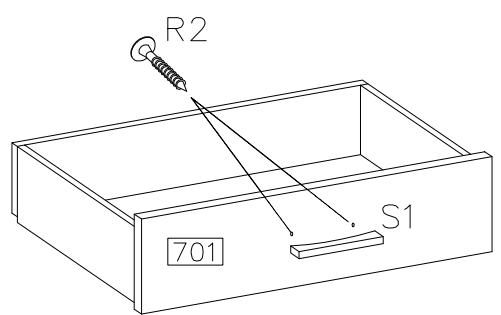
11



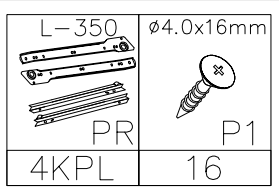
12



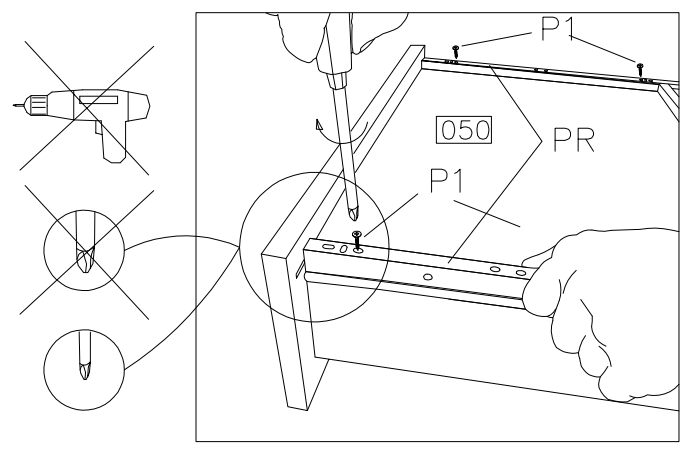
4x



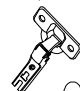

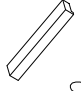

13

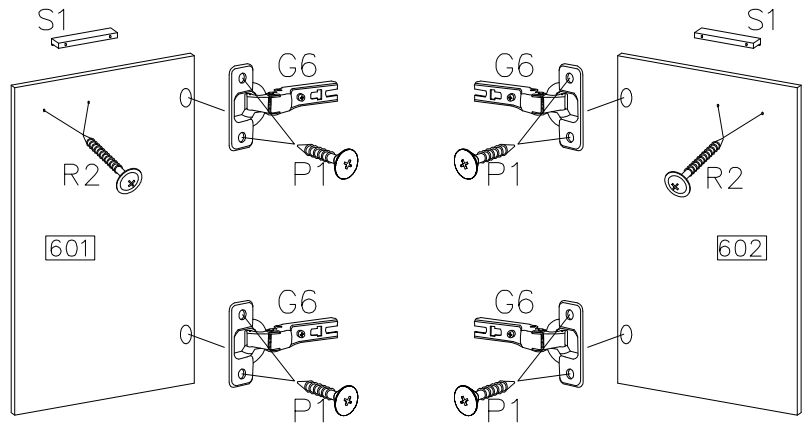


4x



14

 G6 4	 P1 8	 S1 2	 R2 4
---	---	---	---



15

