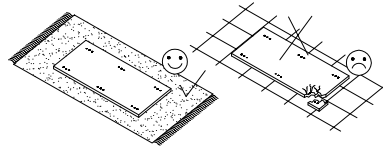
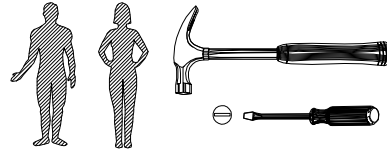
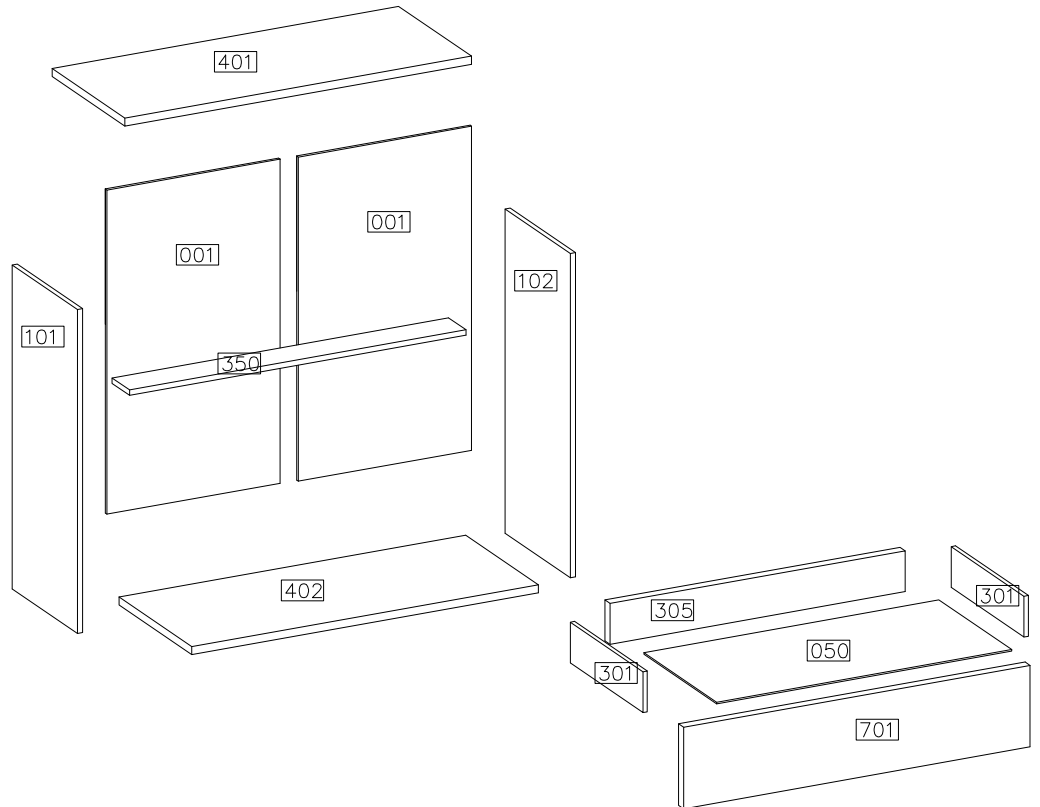
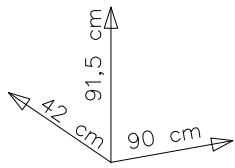





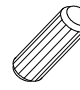





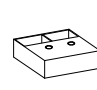
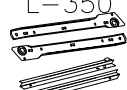
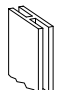


BARI

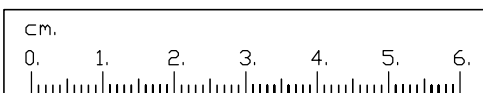
45




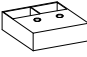
#	ART. NR	QUANTITY
1	401	1
2	402	1
3	101	1
4	102	1
5	701	4
6	301	8
7	305	4
8	050	4
9	001	2
10	350	1

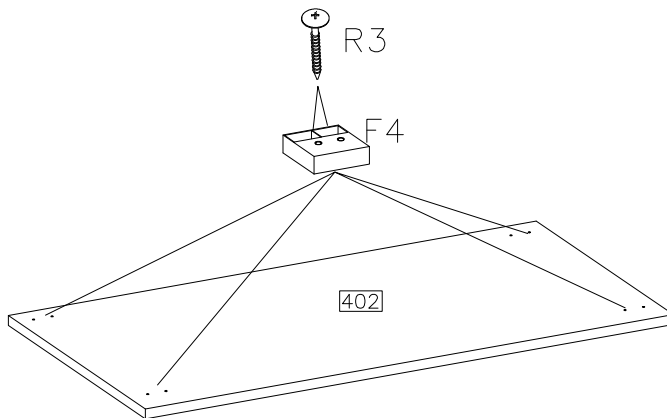


	ø15/12mm 		ø8x30mm 	3.5x13mm 	ø4.0x16mm 		4.0x27mm 
10	10	10	42	16	16	4	8
4.0x35mm 		L-350 					
8	4	4KPL	1	100	4		



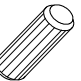


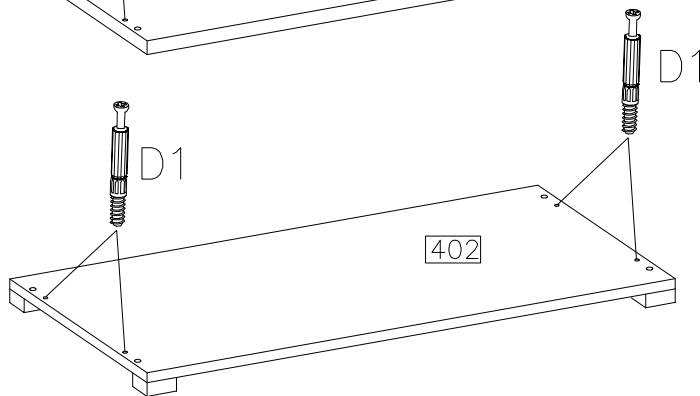
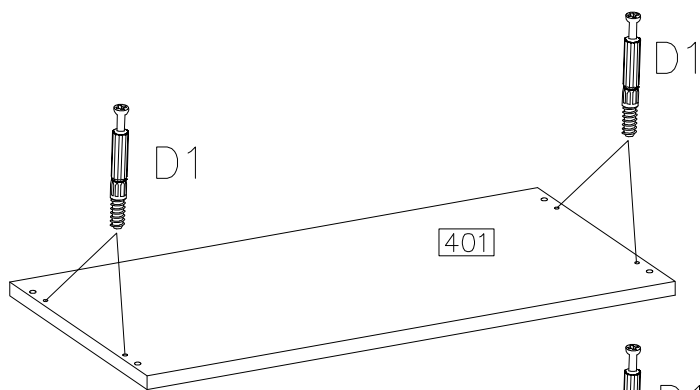
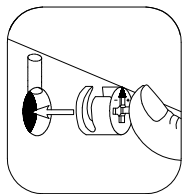
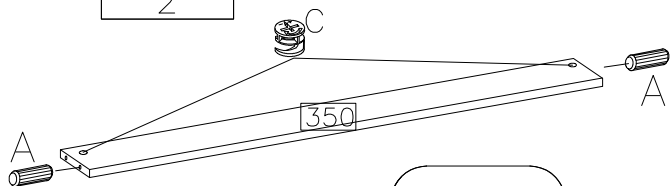
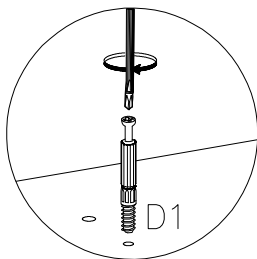
1

4.0x35mm  R3 8	 F4 4
---	--

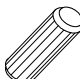




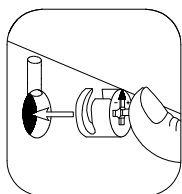
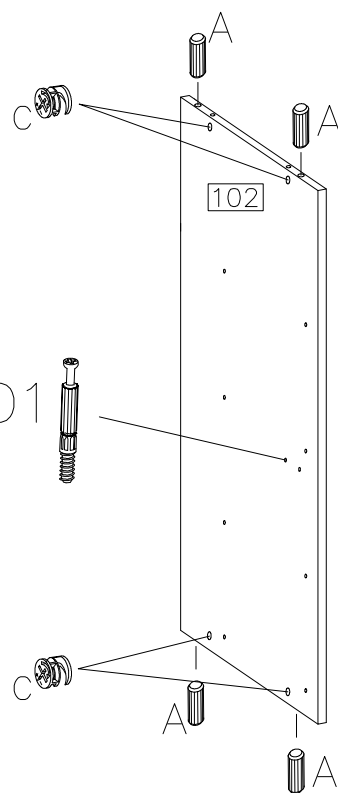
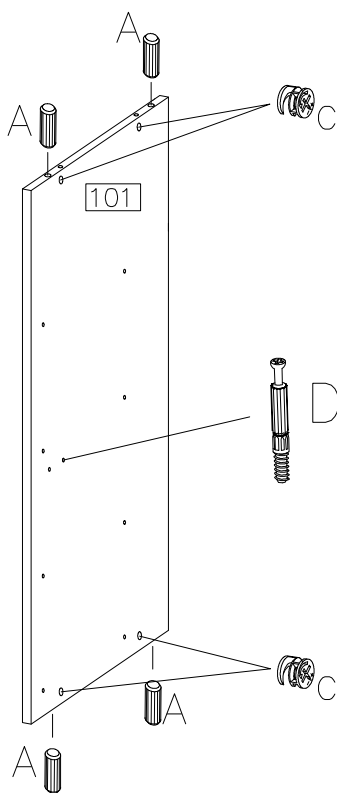
2

 D1 8	$\phi 15/12\text{mm}$  C 2
$\phi 8 \times 30\text{mm}$  A 2	

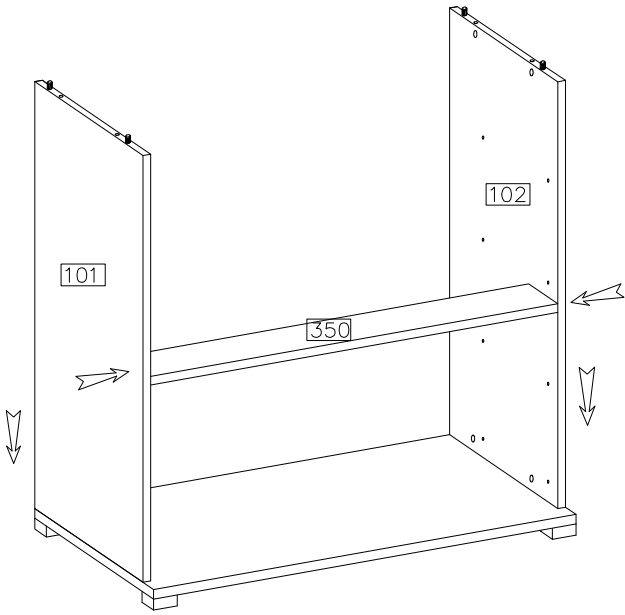
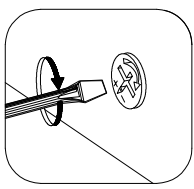


3

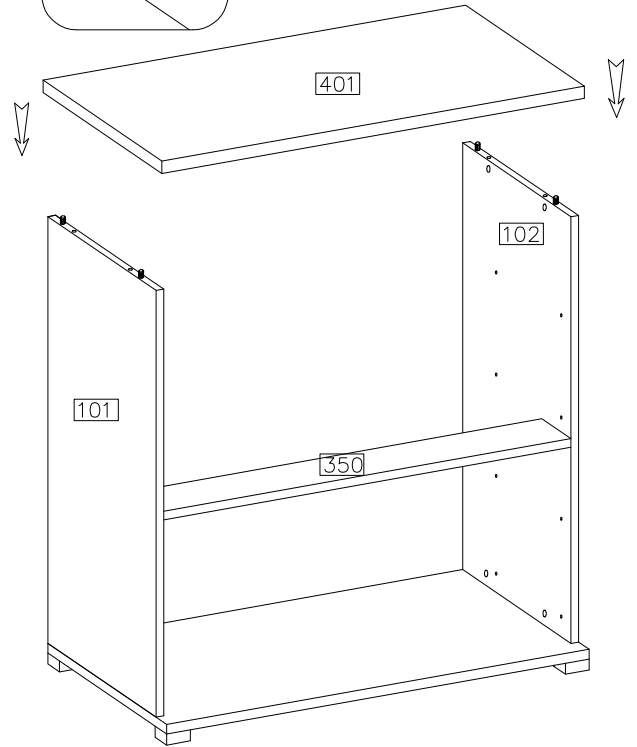
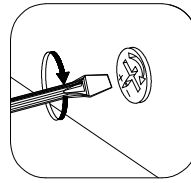
$\phi 8 \times 30\text{mm}$  A 8	$\phi 15/12\text{mm}$  C 8
 D1 2	



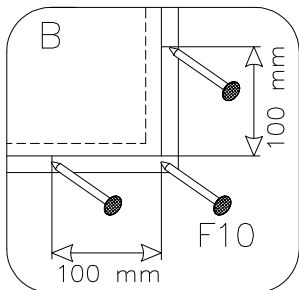
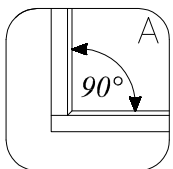
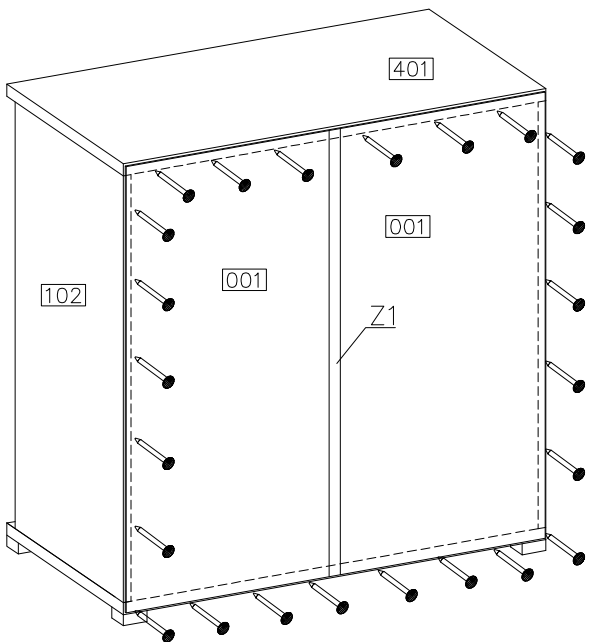
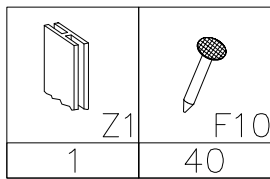
4



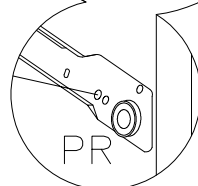
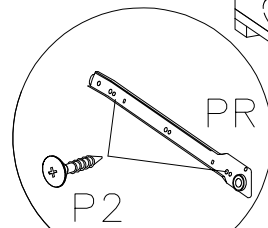
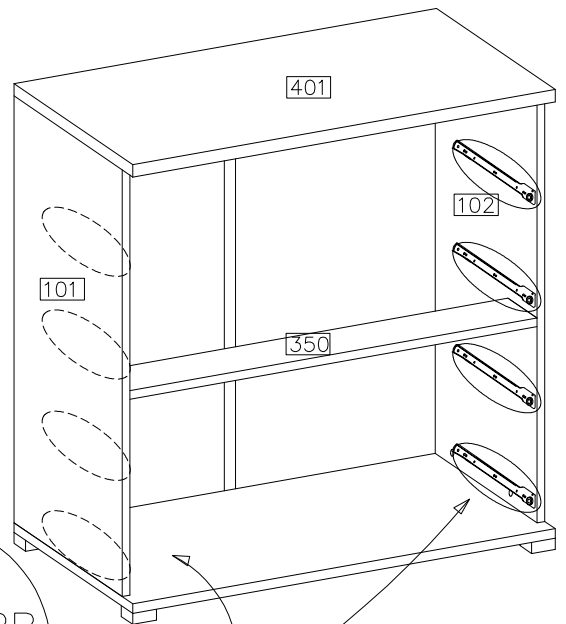
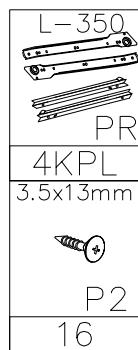
5



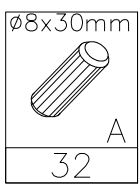
6



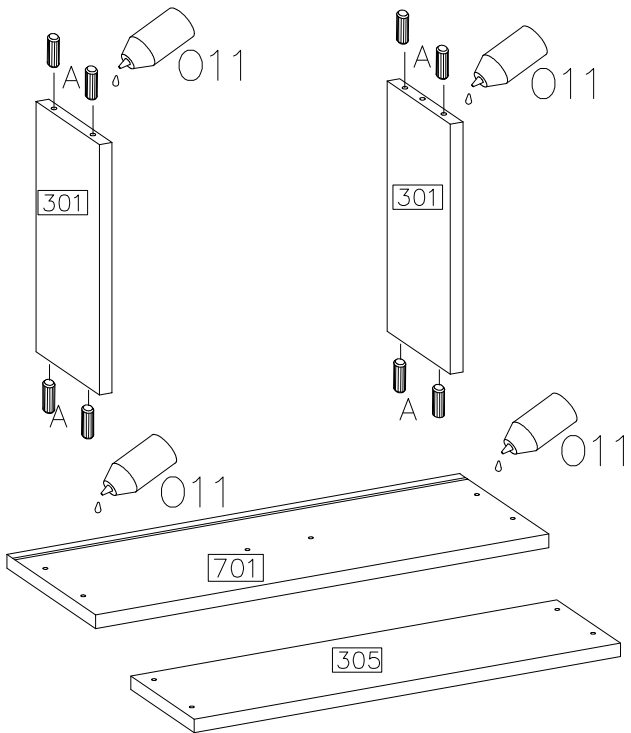
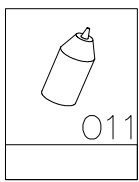
7



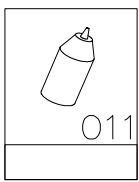
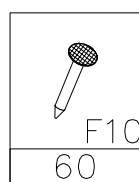
8



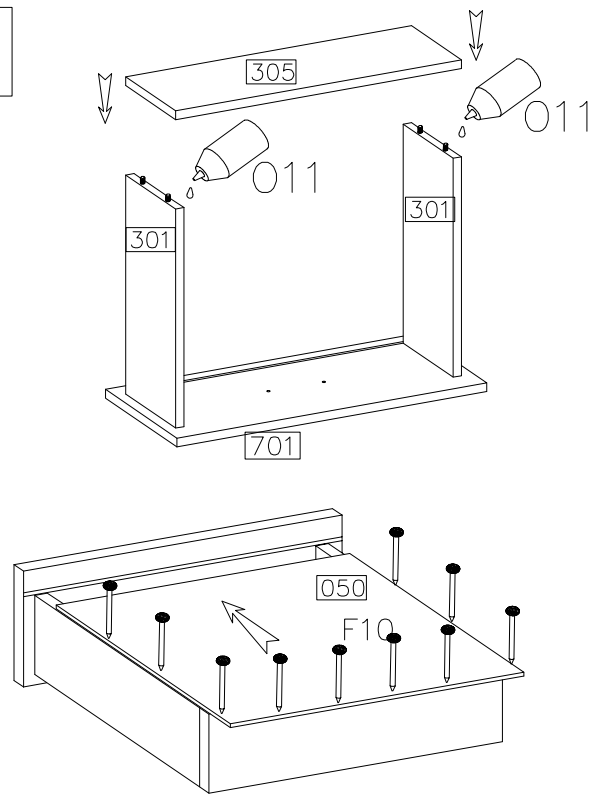
4x



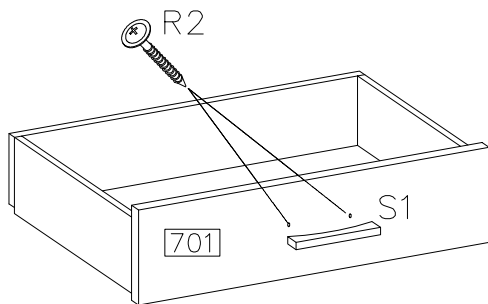
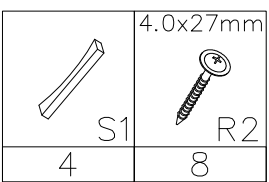
9



4x

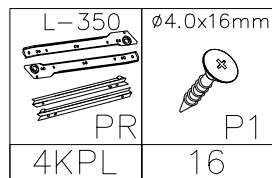


10

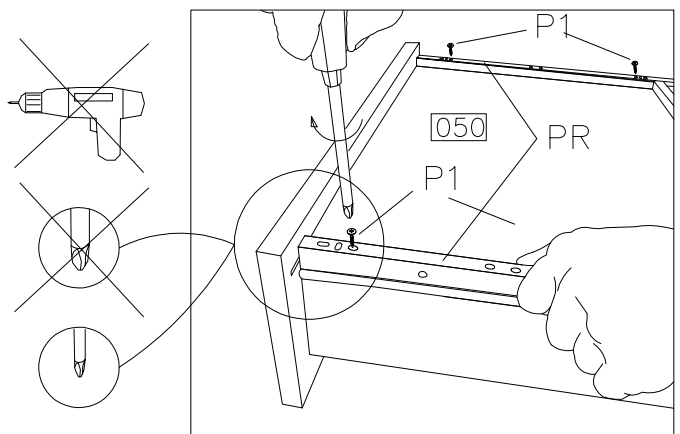


4x

11



4x



12

