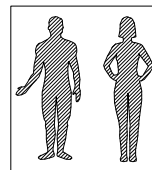
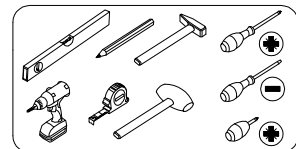
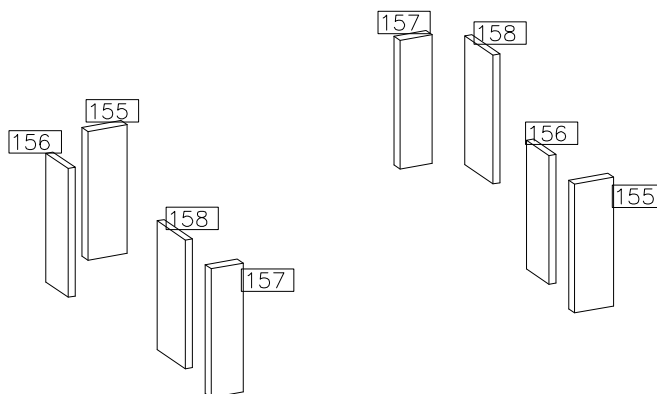
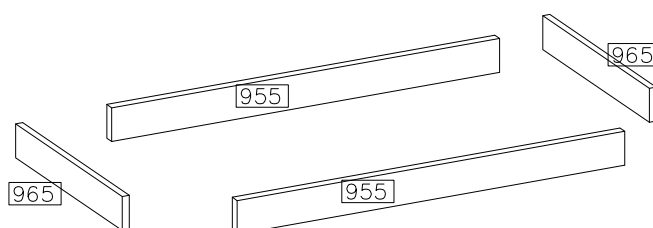
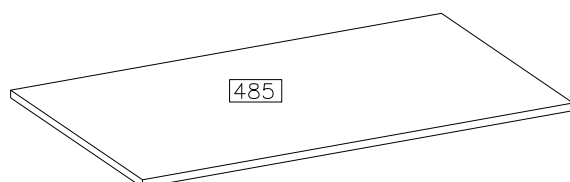
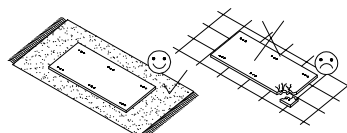
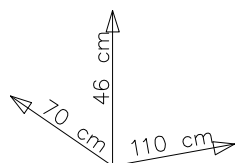
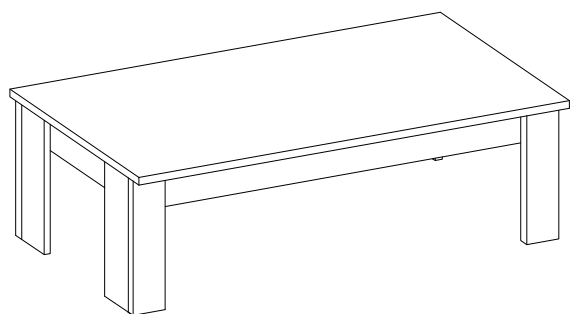


LENS-07

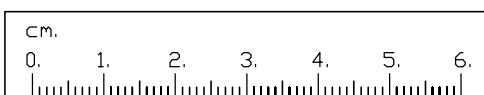
KAWA



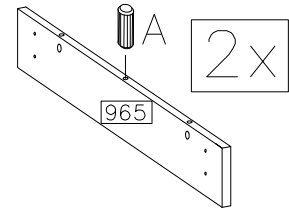
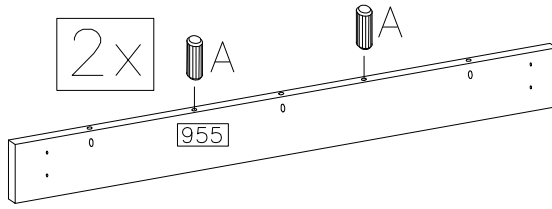
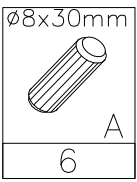
#	ART. NR	QUANTITY
1	485	1
2	955	2
3	965	2
4	155	2
5	156	2
6	157	2
7	158	2



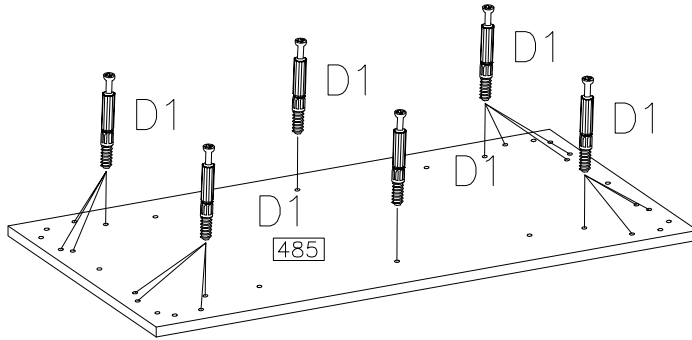
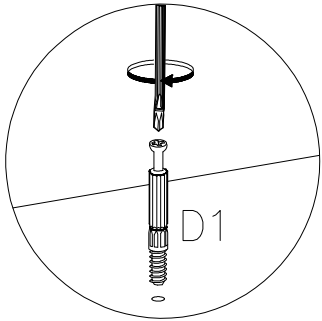
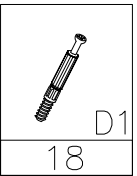
	$\varnothing 15/12\text{mm}$ 		$\varnothing 8 \times 30\text{mm}$ 	$4.0 \times 27\text{mm}$ 	
D1	C	E	A	R2	F9
26	26	14	14	16	8



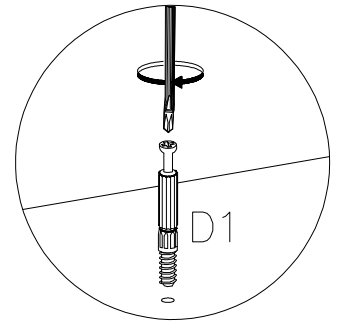
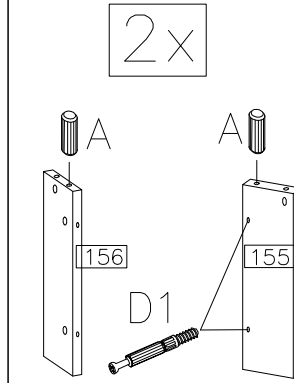
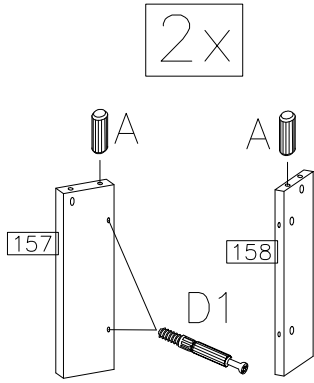
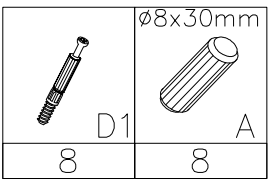
1



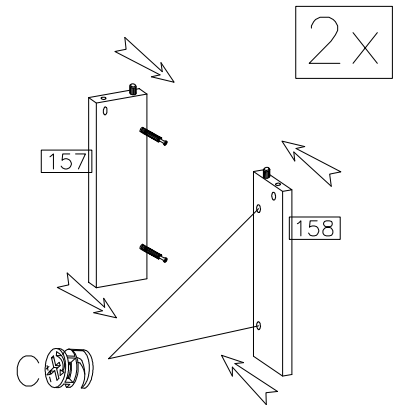
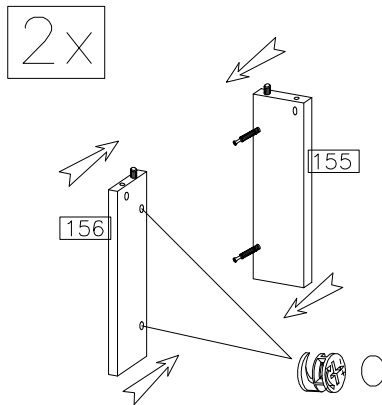
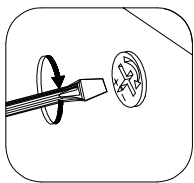
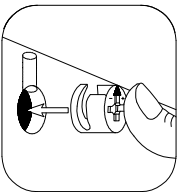
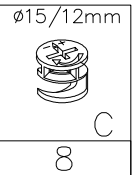
2



3



4



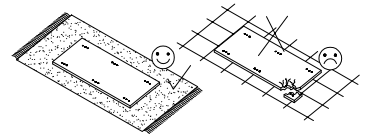
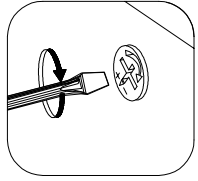
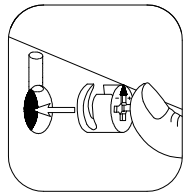
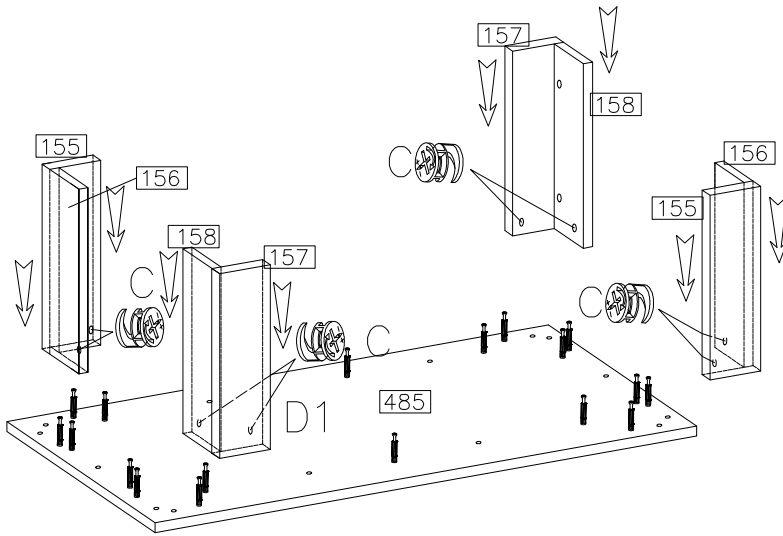
5

∅15/12mm



C

8

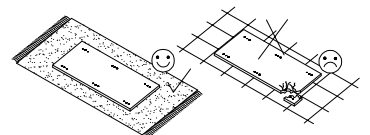
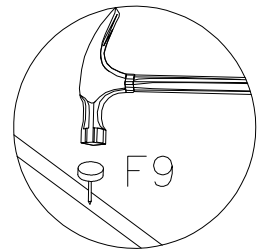
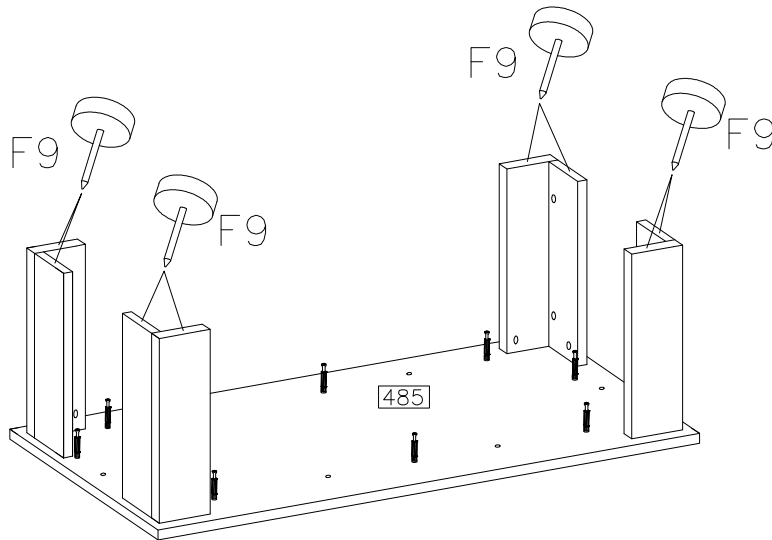


6





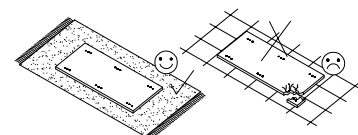
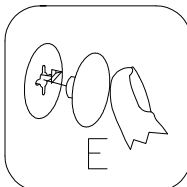
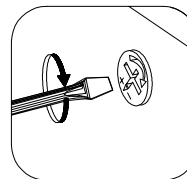
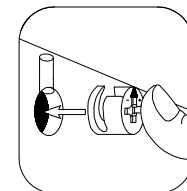
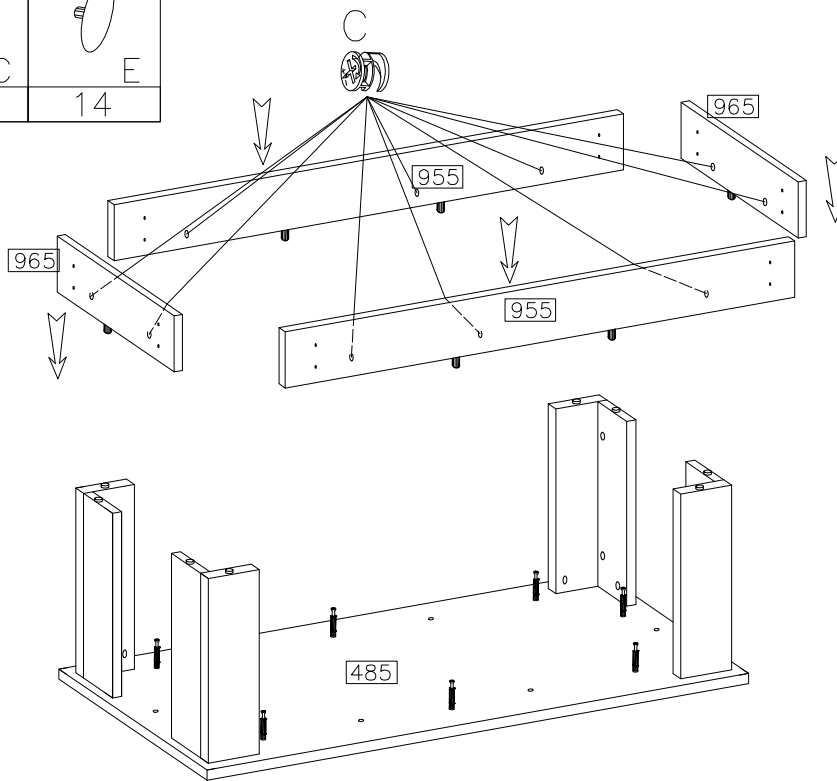
F9

8




7

$\varnothing 15/12\text{mm}$  C 10	 E 14
---	---



8

$4.0 \times 27\text{mm}$  R2 16

