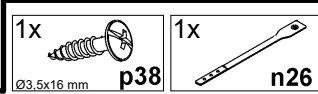
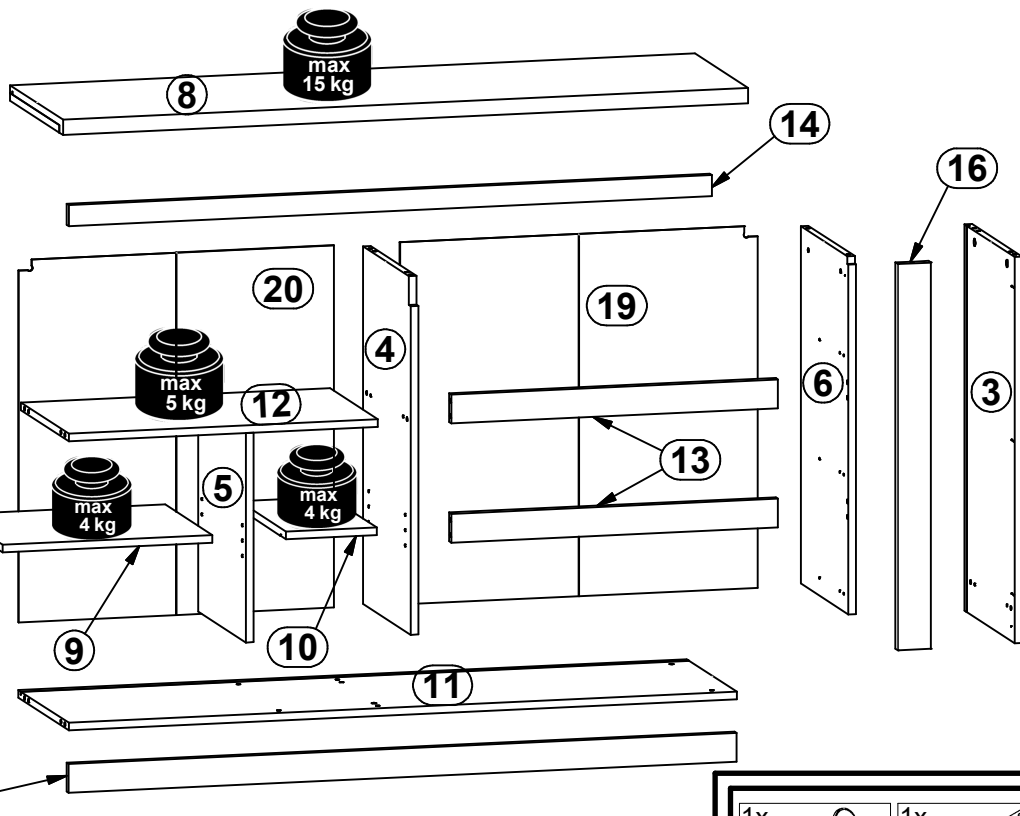
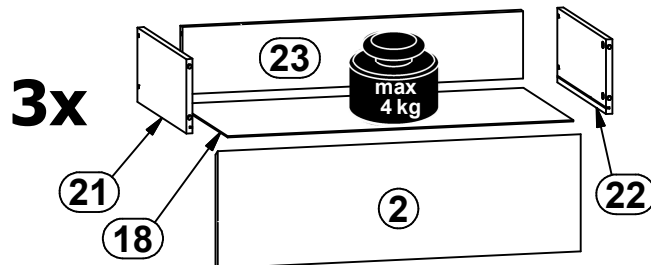
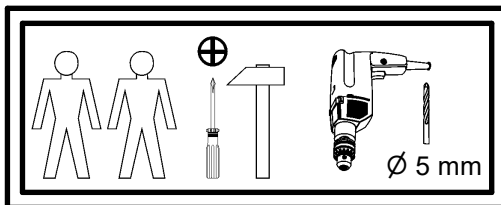
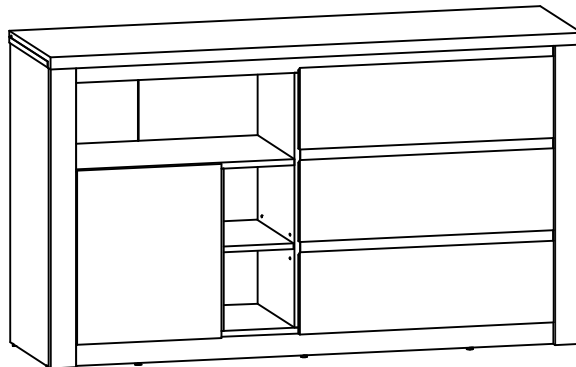
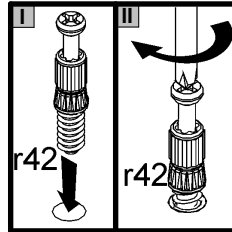
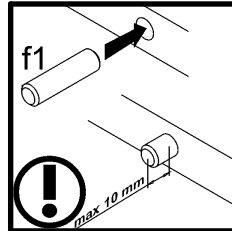
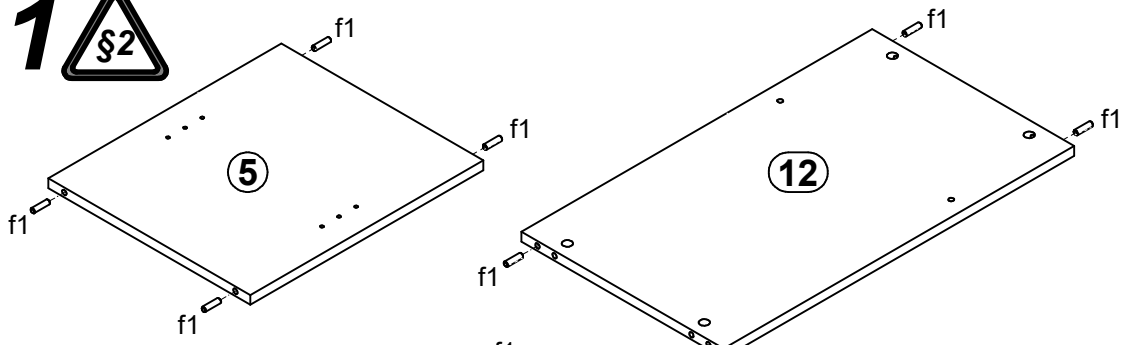


A	B	C	D	
1	S486-0002	468	396	2/2
2	S486-0003	696	220	2/2
3	S486-1002	804	398	1/2
4	S486-1004	744	378	1/2
5	S486-1005	436	378	1/2
6	S486-1006	744	378	1/2
7	S486-1007	804	398	1/2
8	S486-2002	1454	420	2/2
9	S486-3003	445	373	1/2
10	S486-3005	193	373	2/2
11	S486-3006	1418	398	2/2
12	S486-3007	656	378	1/2
13	S486-4003	693	60	2/2
14	S486-4004	1365	44	2/2
15	S486-4005	1418	60	2/2
16	S486-5002	804	70	1/2
17	S486-5003	804	70	1/2
18	S486-9001	663	357	2/2
19	S486-9301	754	759	1/2
20	S486-9304	754	669	1/2
21	ZQ6-511	350	140	2/2
22	ZQ6-512	350	140	2/2
23	ZQ6-5238	653	127	2/2

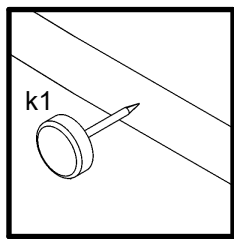
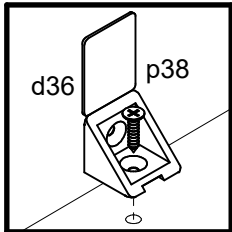
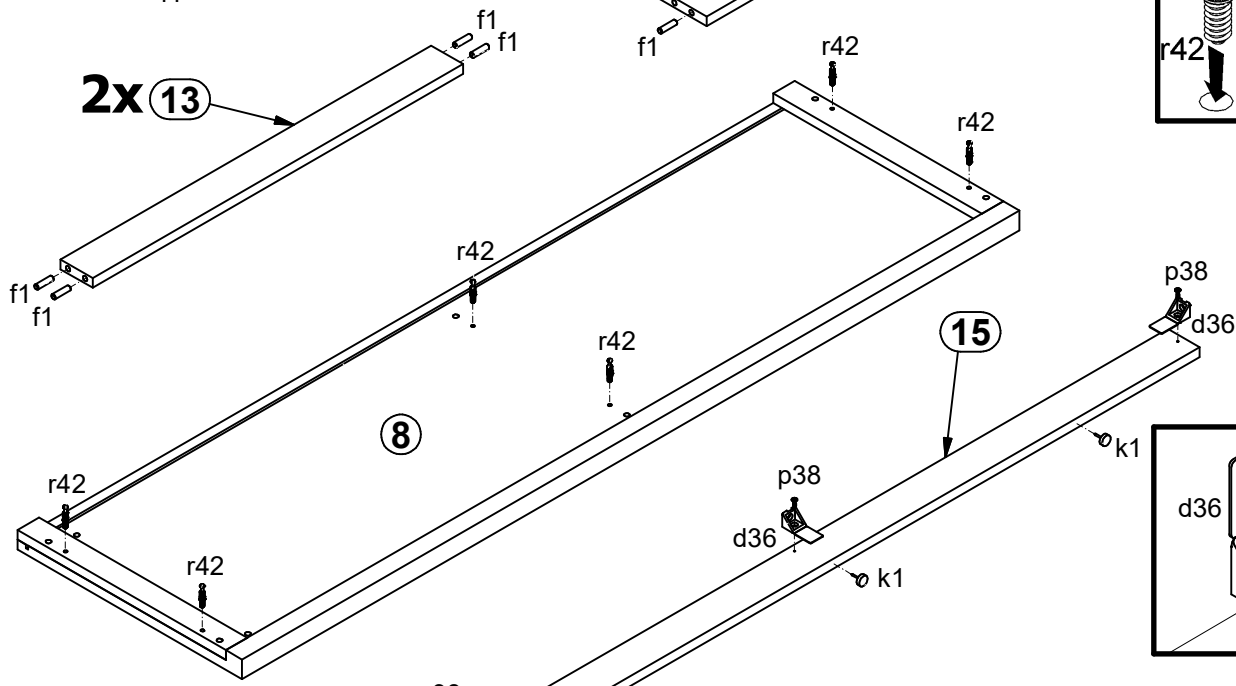


1x a133	2x a132	2x b43	8x d1 Ø5x17 mm	6x d36	6x d37	2x e1 Ø7x50 mm	4x e2 Ø6,3x13 mm	18x e3 Ø6x13 mm
32x f1 Ø8x30 mm	12x f25 Ø6,5x40 mm	7x k1	12x l2	4x n108 22x9,5x20,7 mm	3x p35 Ø3,5x10 mm	36x p38 Ø3,5x16 mm	7x p51 Ø3,5x15 mm	28x p55 Ø2,9x16 mm
14x r1 Ø15x12 mm #16	12x r15 Ø12x10,5 mm #12	26x r42 20/11	3x t35 350 mm	3x W117/L 350 mm	3x W117/P 350 mm	2x s68 Ø 20mm	1x z1 4 mm	

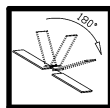
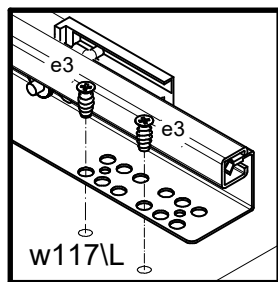
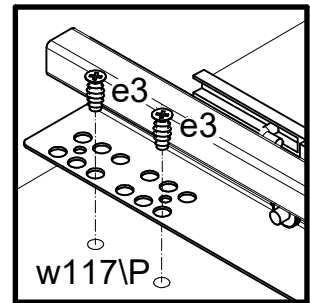
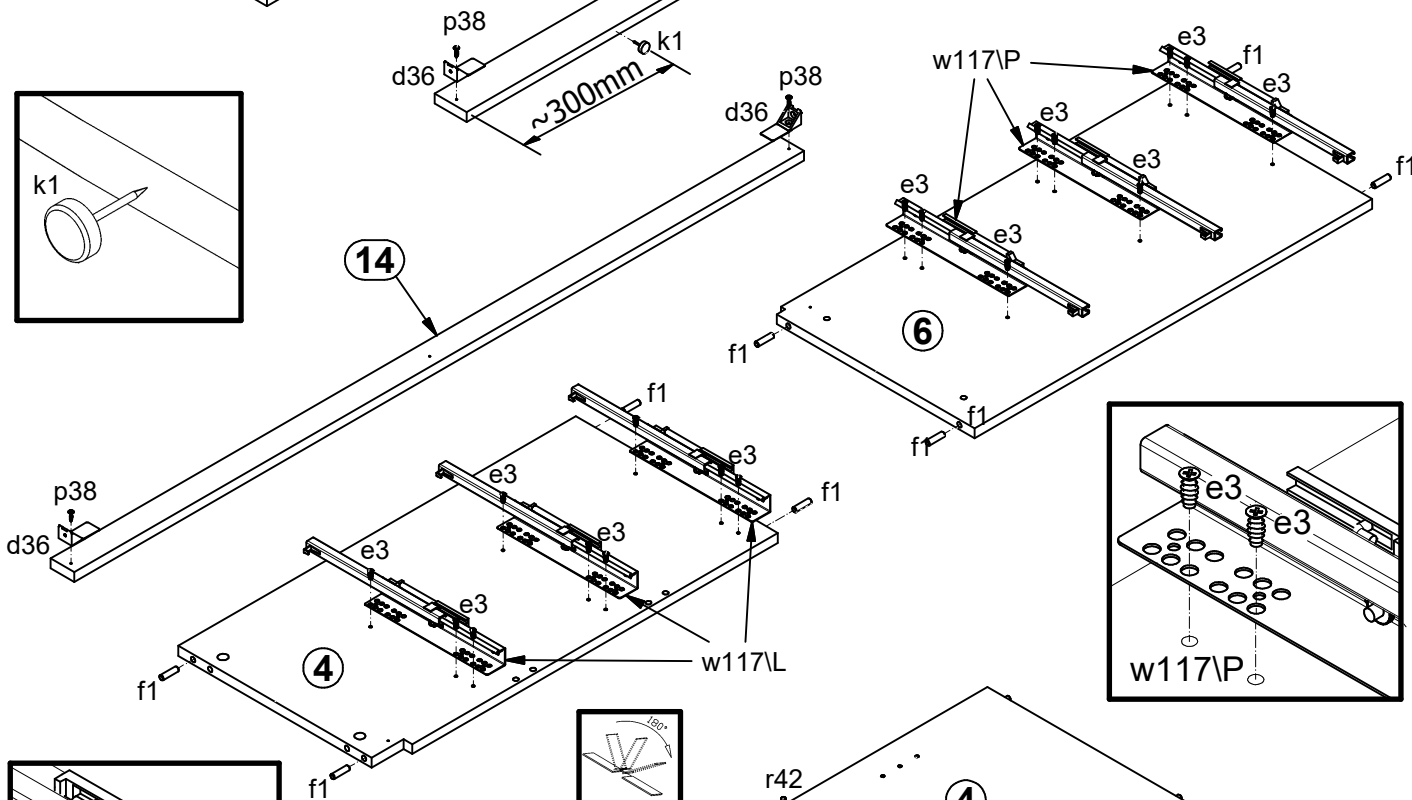
1 

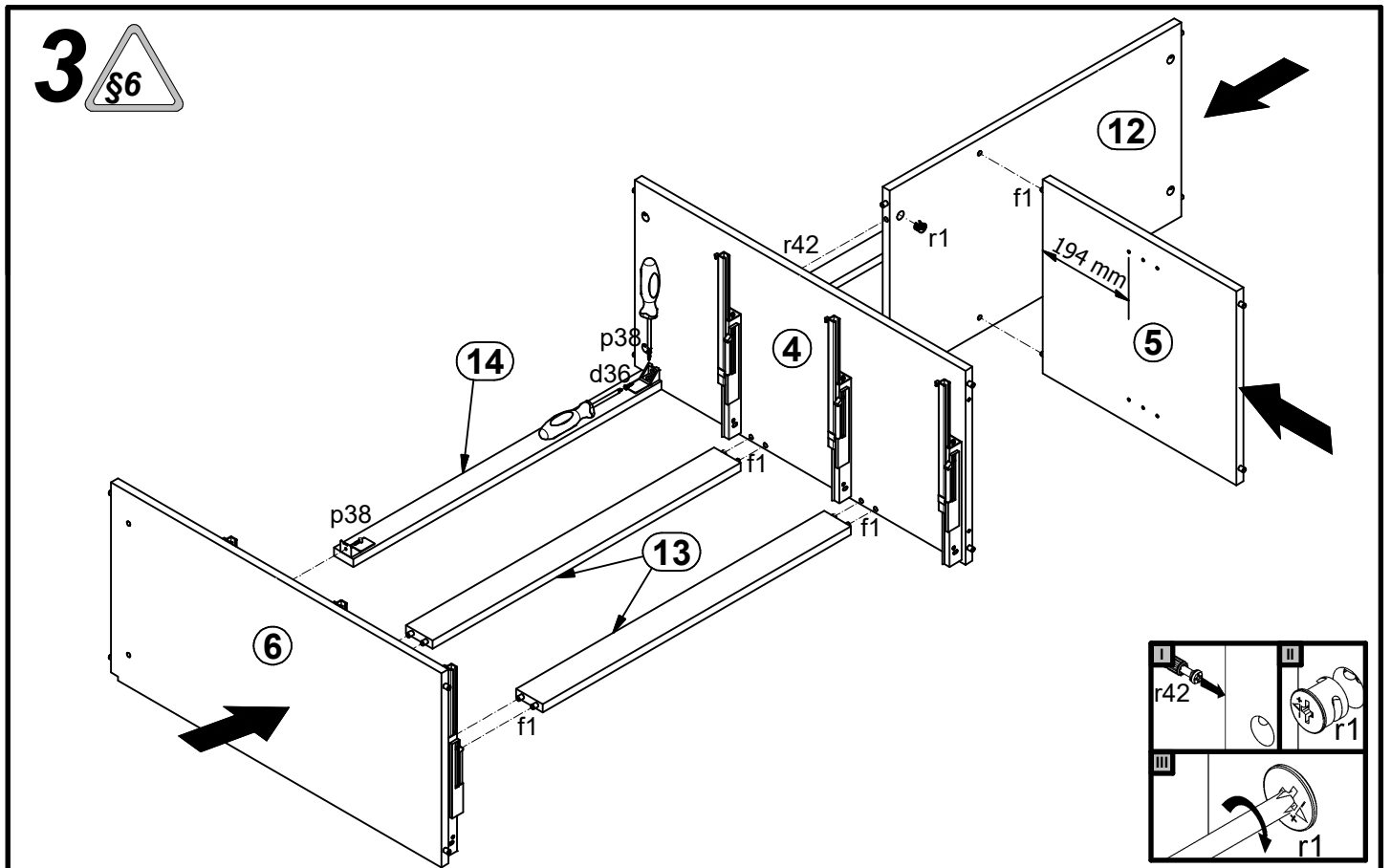
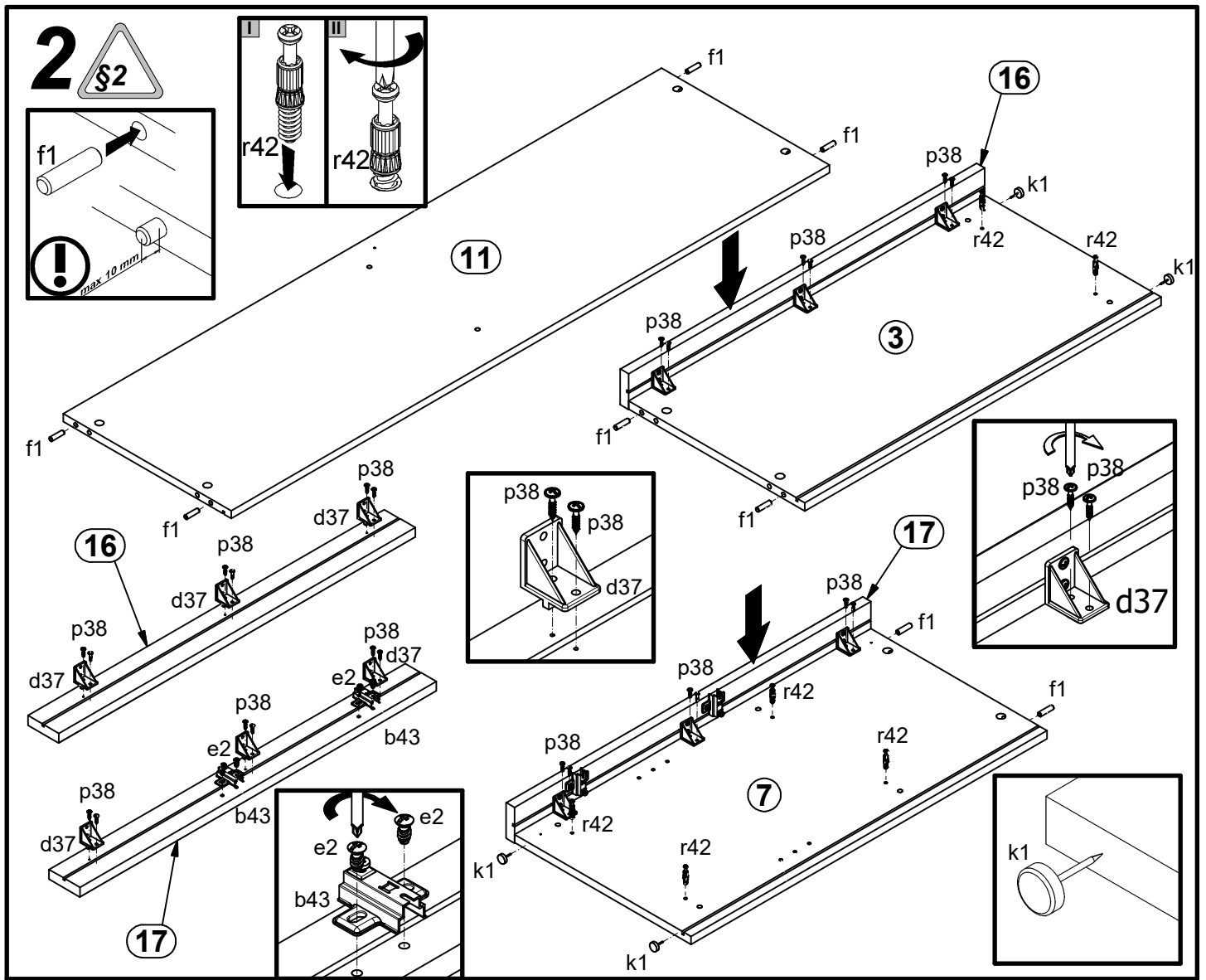


2x (13)

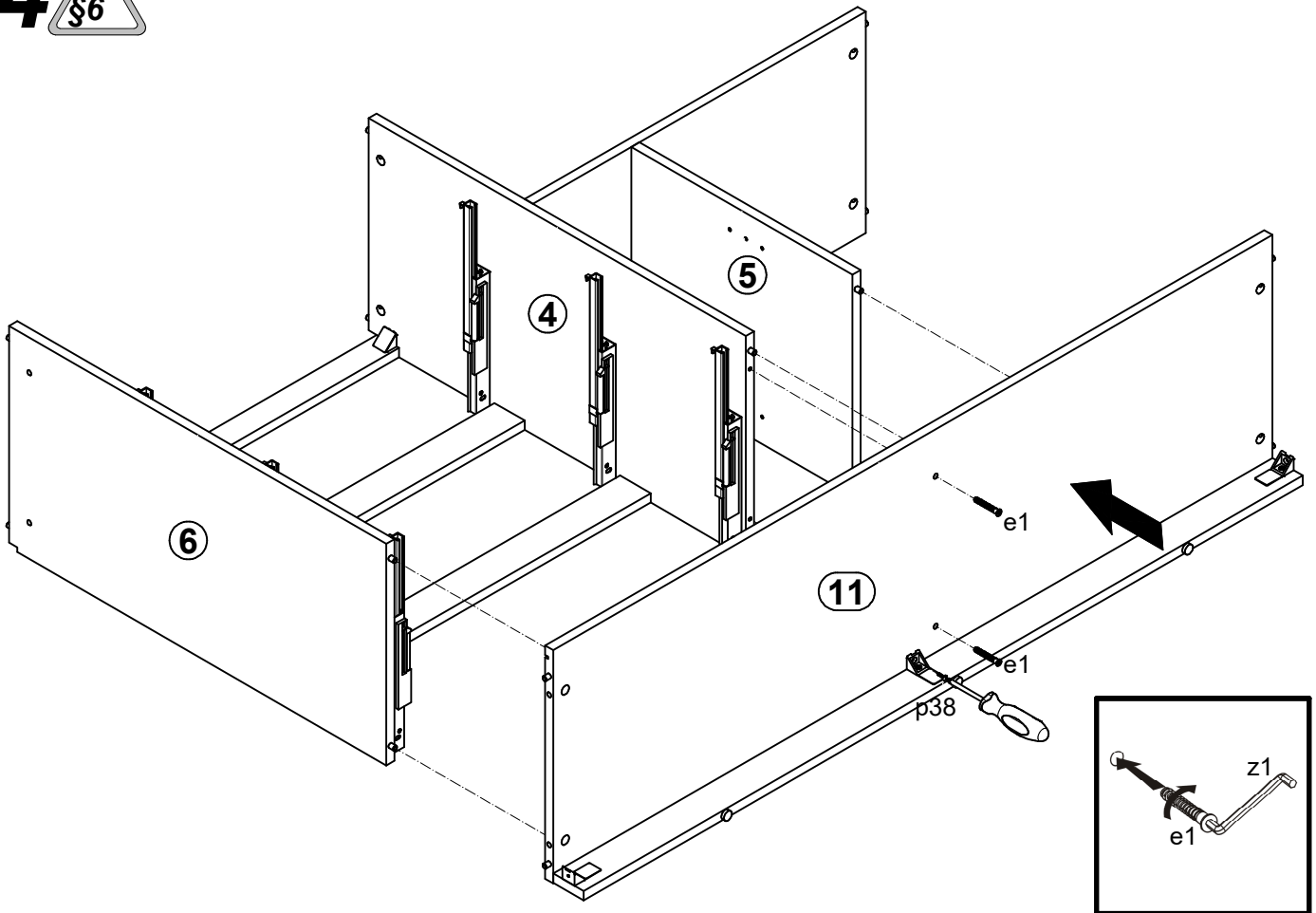


(14)

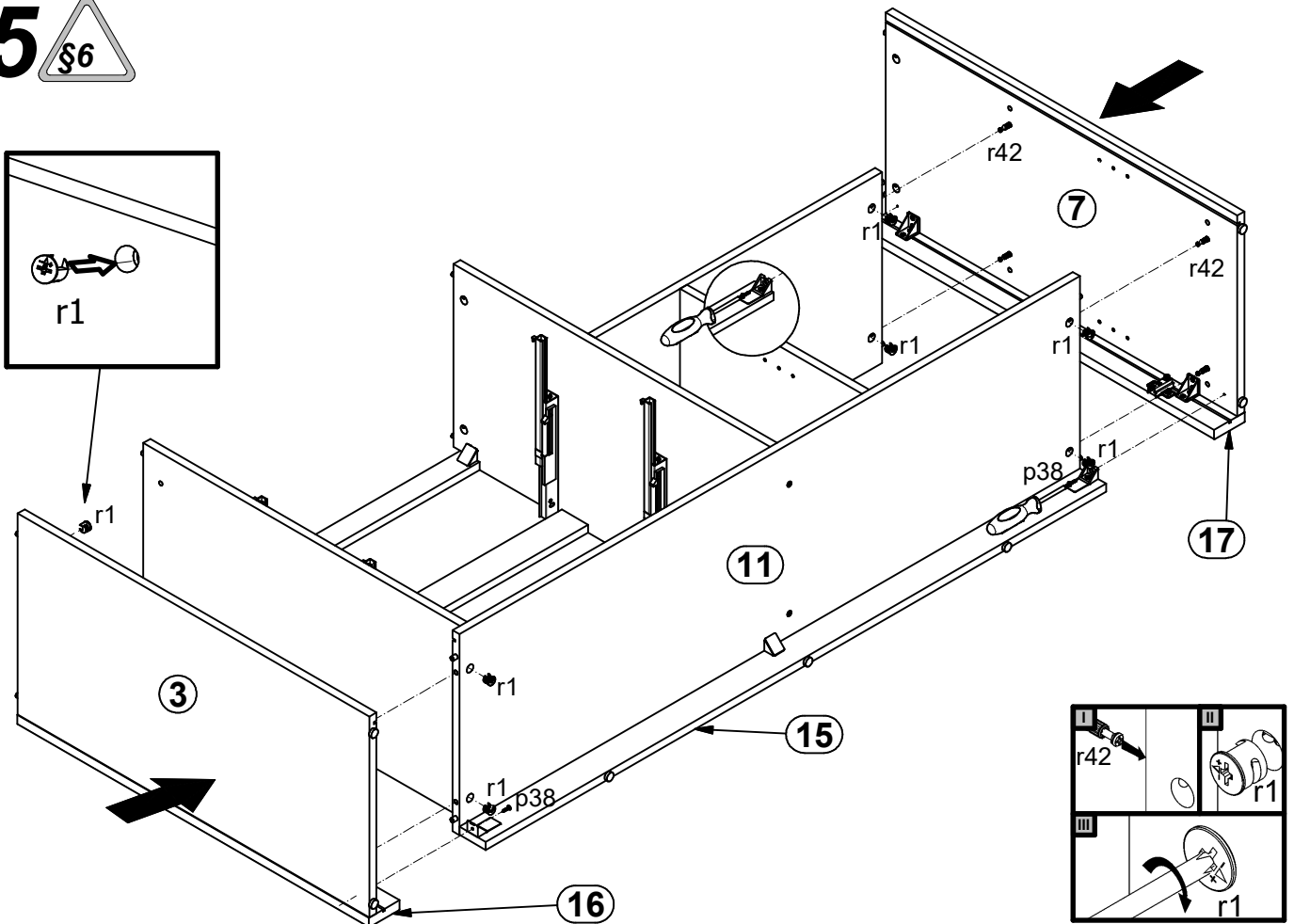




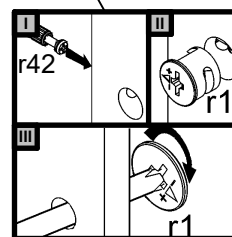
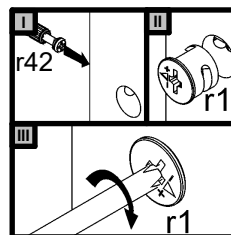
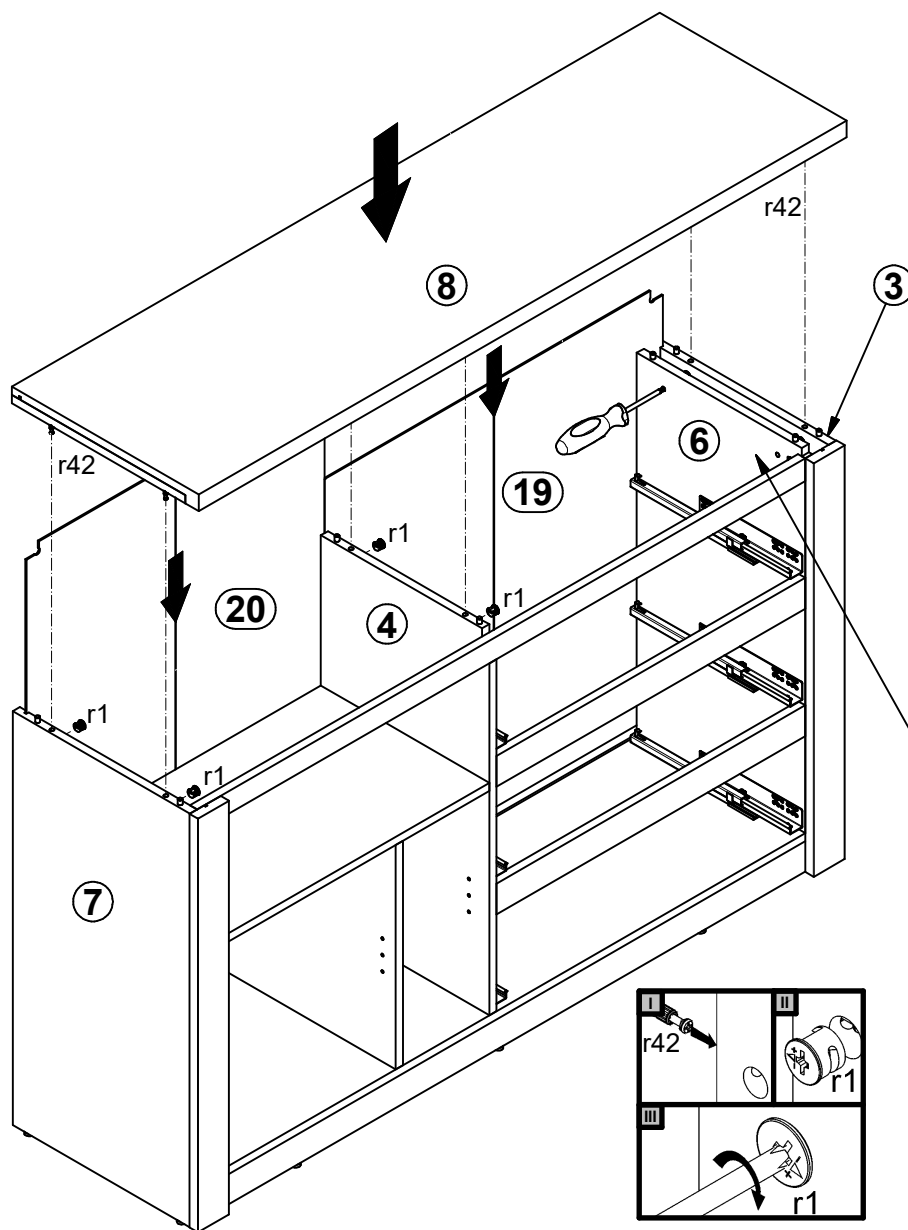
4



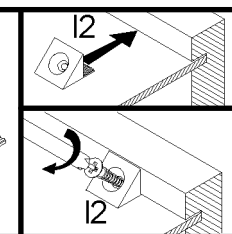
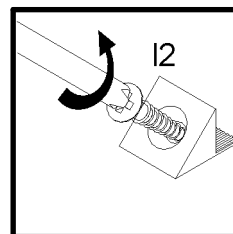
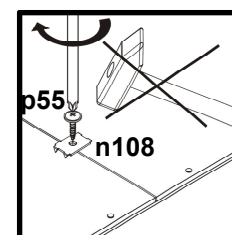
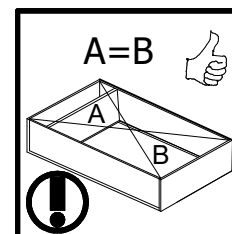
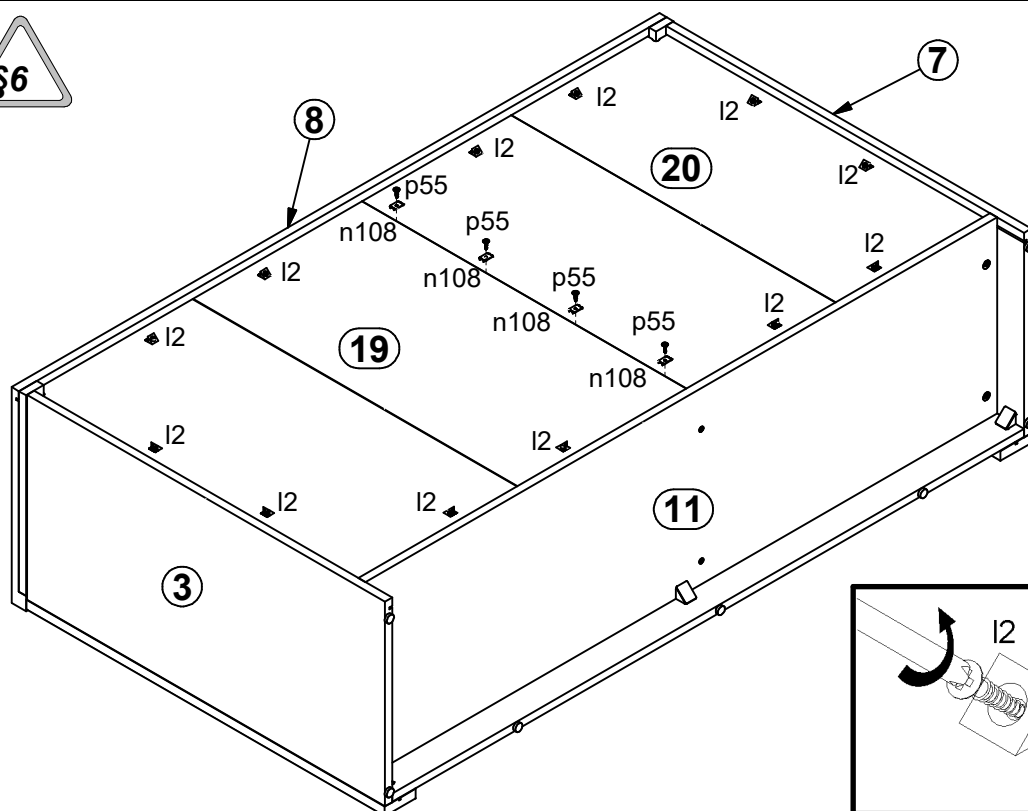
5



6

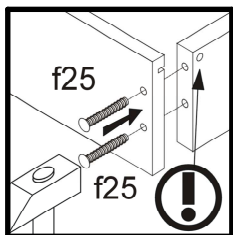
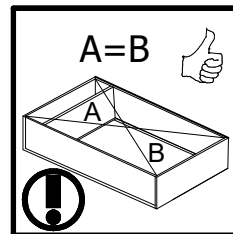
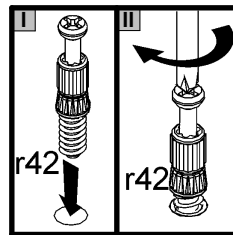
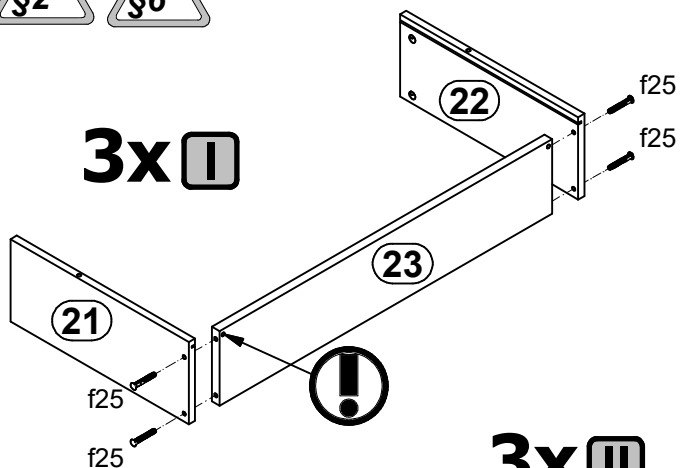


7

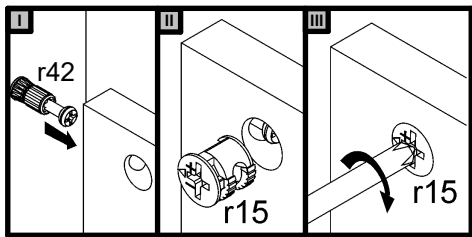
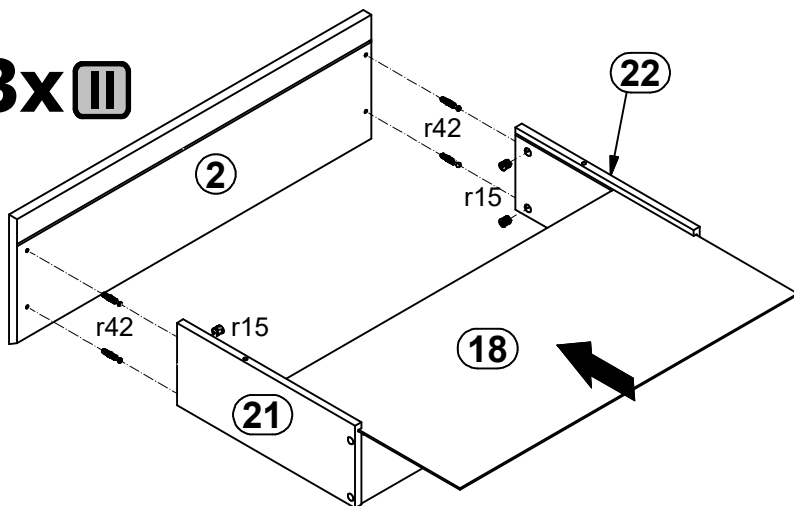


8 §2 §6

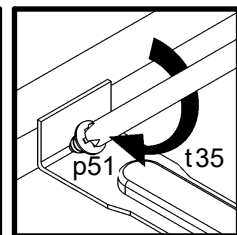
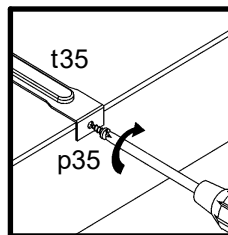
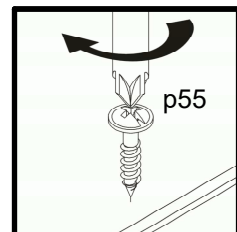
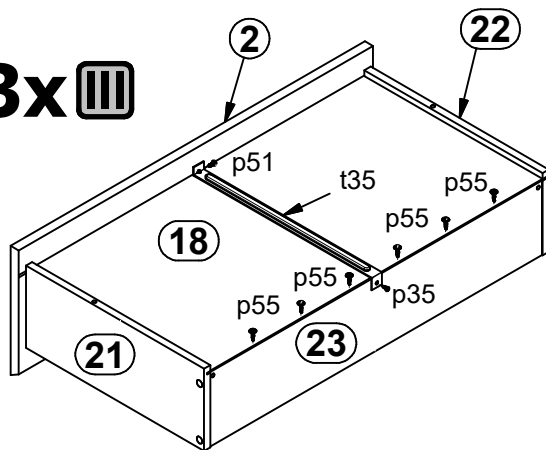
3x I



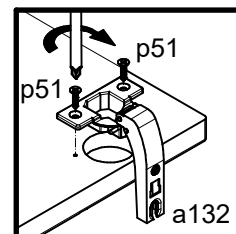
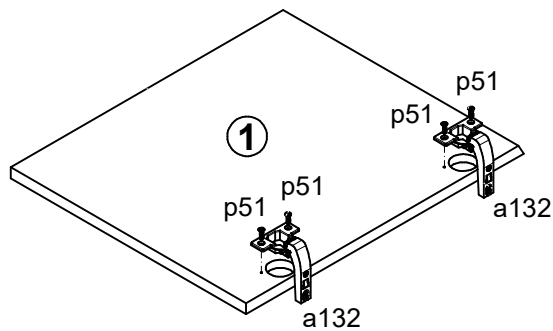
3x II



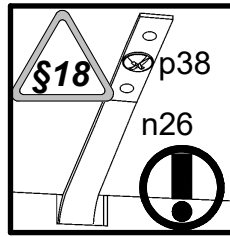
3x III



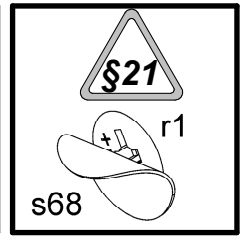
9 §2



10



§18 p38
n26



§21 r1
s68

