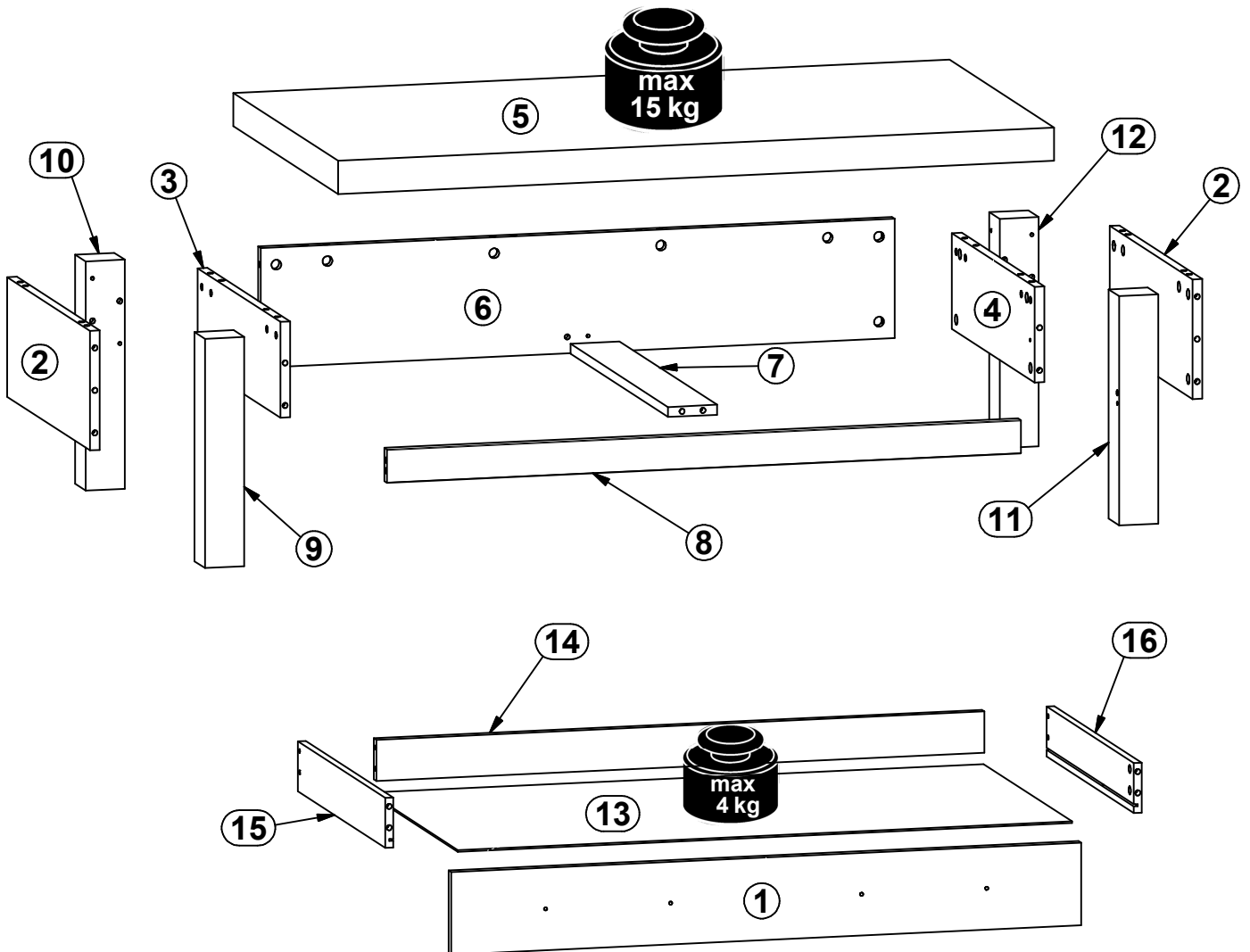
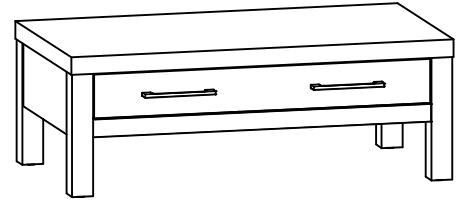
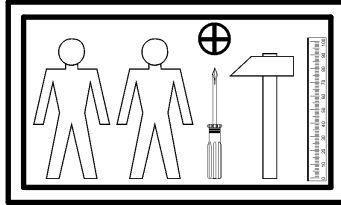
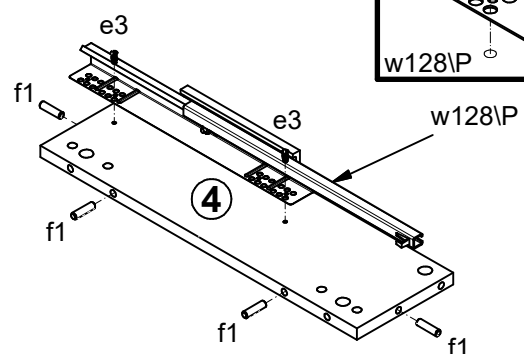
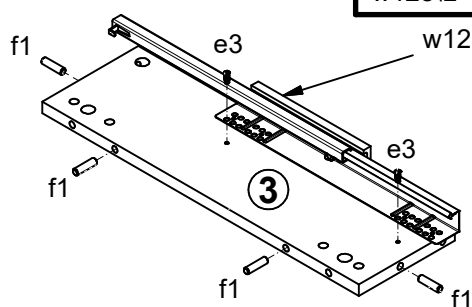
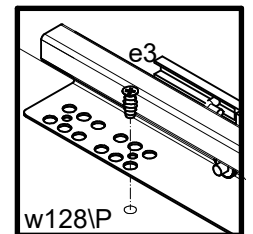
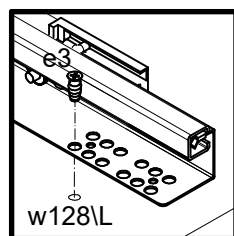
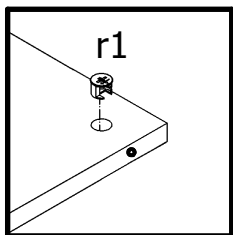
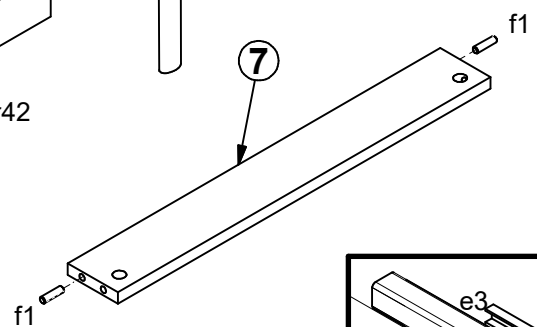
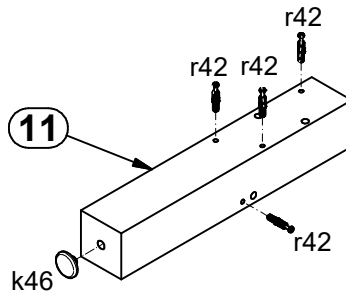
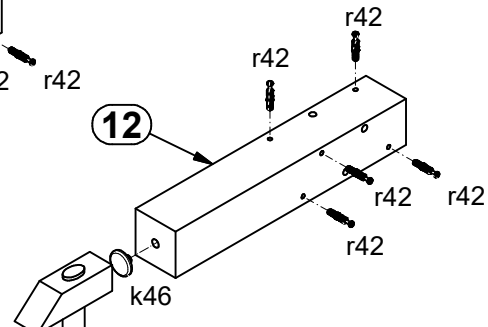
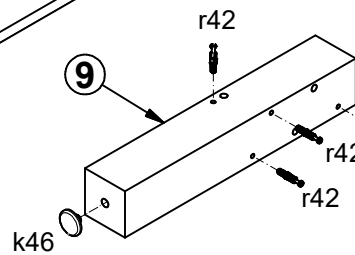
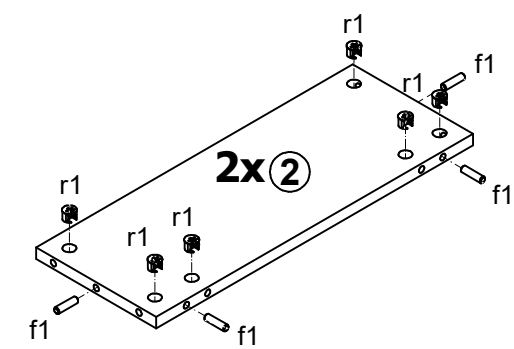
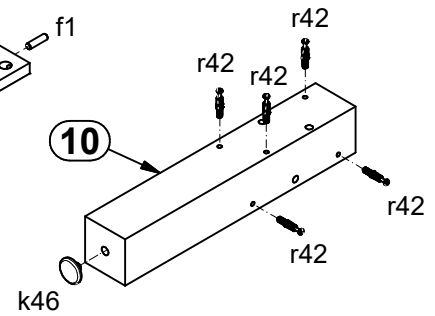
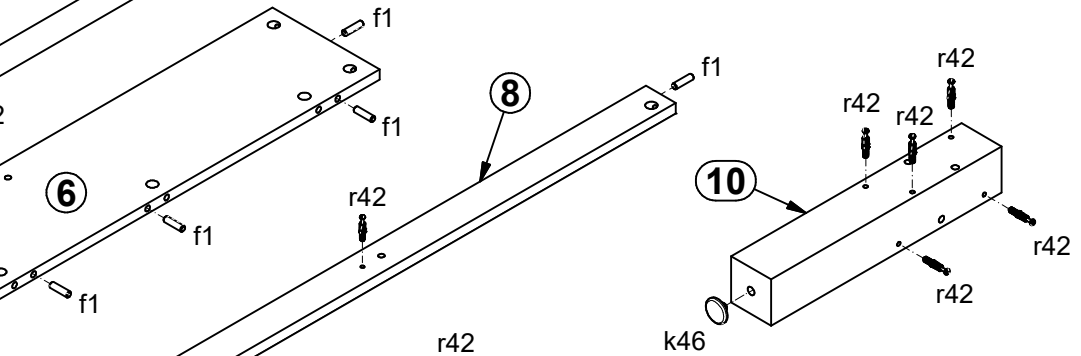
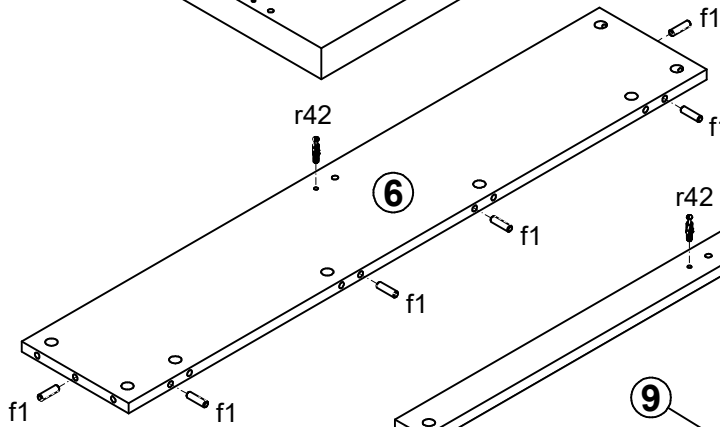
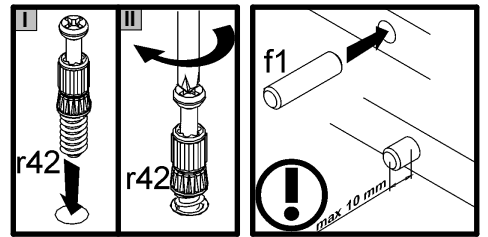
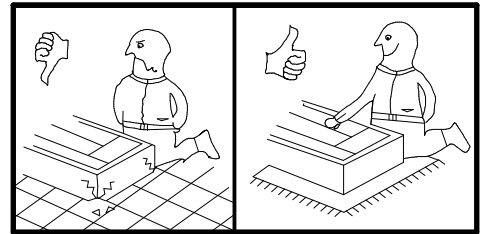
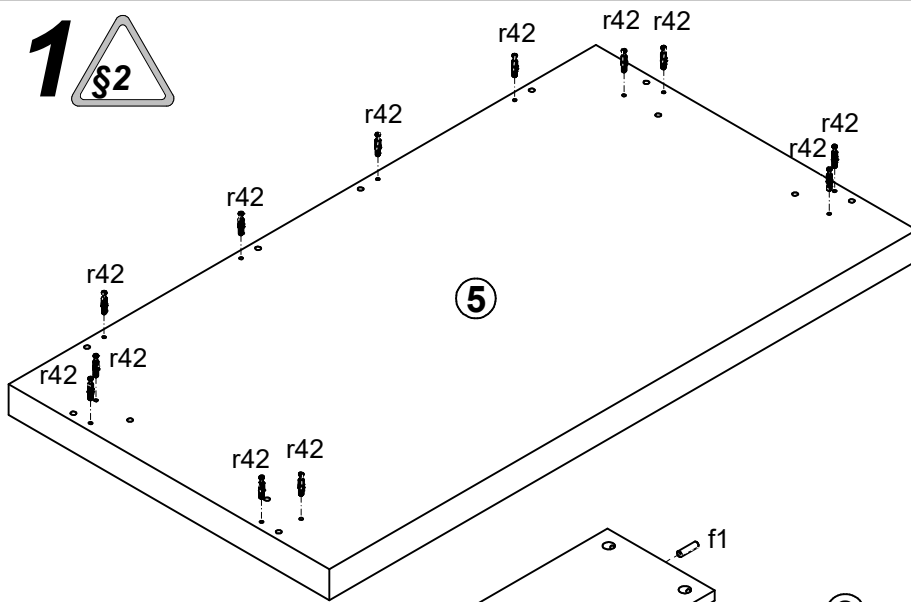


A	B	C	D	
1	S481-0018	967	124	1/1
2	S481-1027	474	180	1/1
3	S481-1028	474	144	1/1
4	S481-1030	474	144	1/1
5	S481-2009	1099	600	1/1
6	S481-4002	973	180	1/1
7	S481-4004	558	75	1/1
8	S481-5056	973	50	1/1
9	S481-5057	345	60	1/1
10	S481-5058	345	60	1/1
11	S481-5059	345	60	1/1
12	S481-5060	345	60	1/1
13	S481-9011	943	507	1/1
14	ZQ6-5228	933	62	1/1
15	ZQ6-531	500	75	1/1
16	ZQ6-532	500	75	1/1

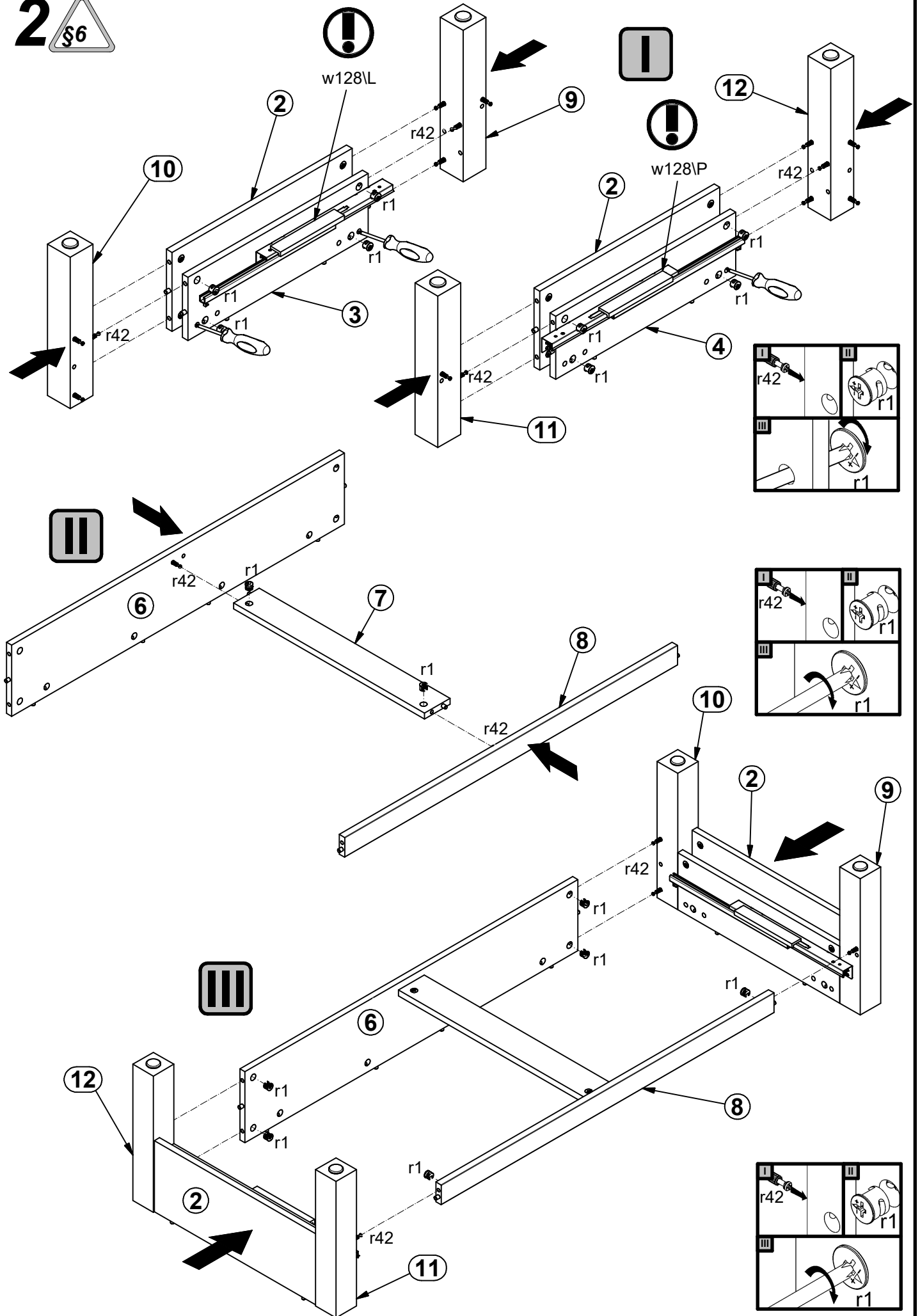


2x 192 mm c306	4x Ø6x13 mm e3	26x Ø8x30 mm f1	4x Ø6,5x40 mm f25	4x M4x22 mm j30	4x k46	2x Ø3,5x16 mm p25	2x Ø3,5x10 mm p35	9x Ø3,5x16 mm p38
2x Ø2,9x16 mm p55	2x Ø3,5x12 mm p140	32x Ø15x12 mm #16 r1	4x Ø12x10,5 mm #12 r15	36x 20/11 r42	2x 500 mm t34	1x 500 mm w128L	1x 500 mm w128P	

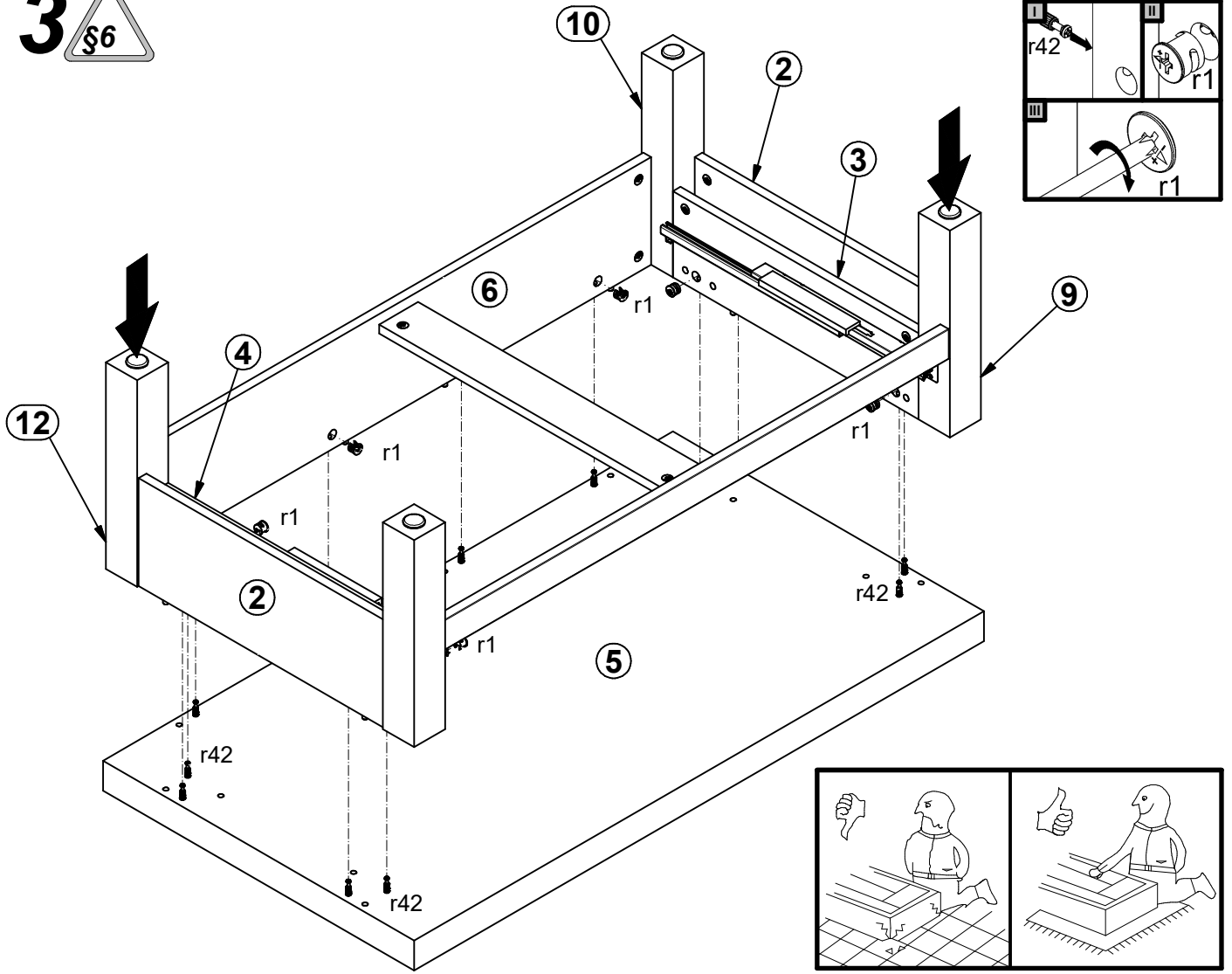
1 



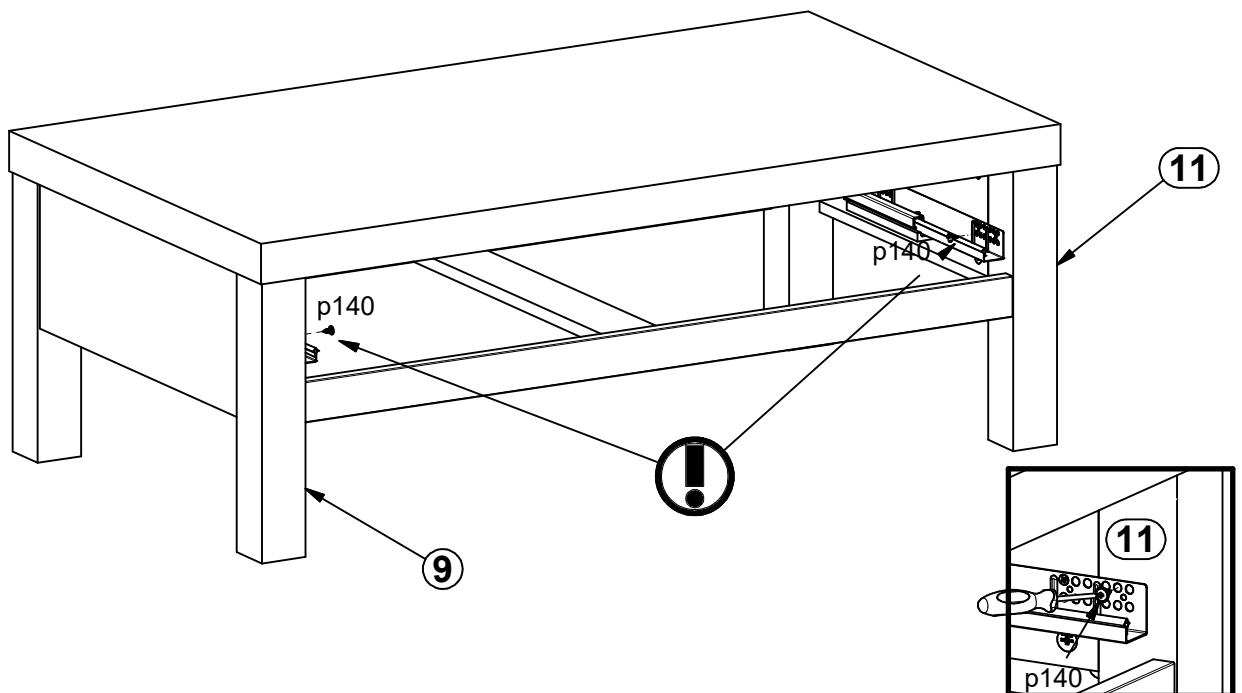
2 



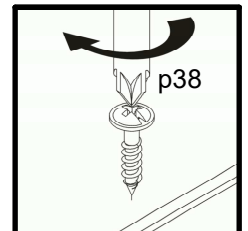
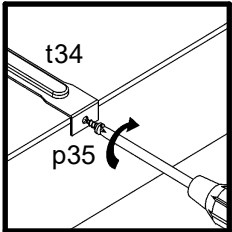
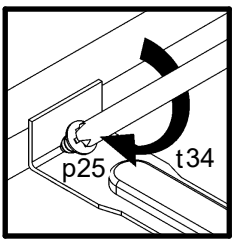
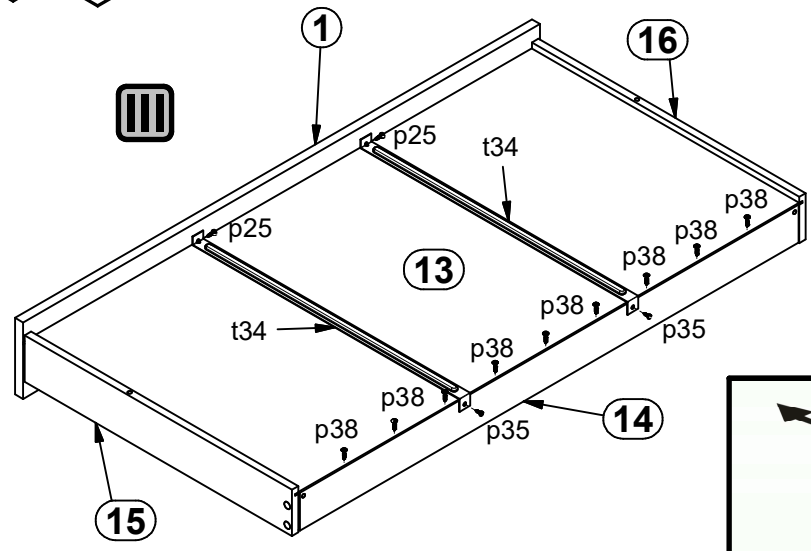
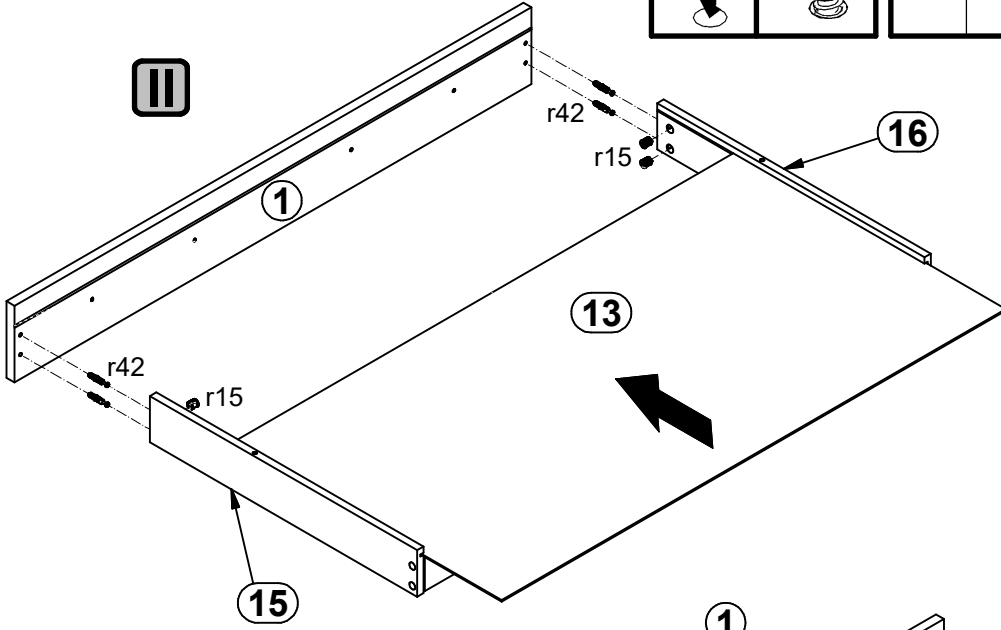
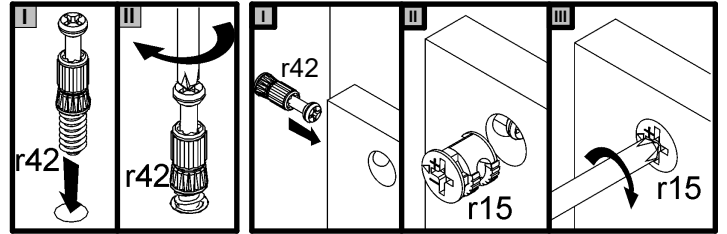
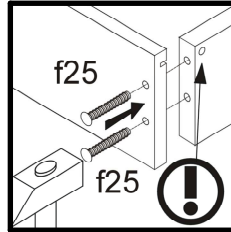
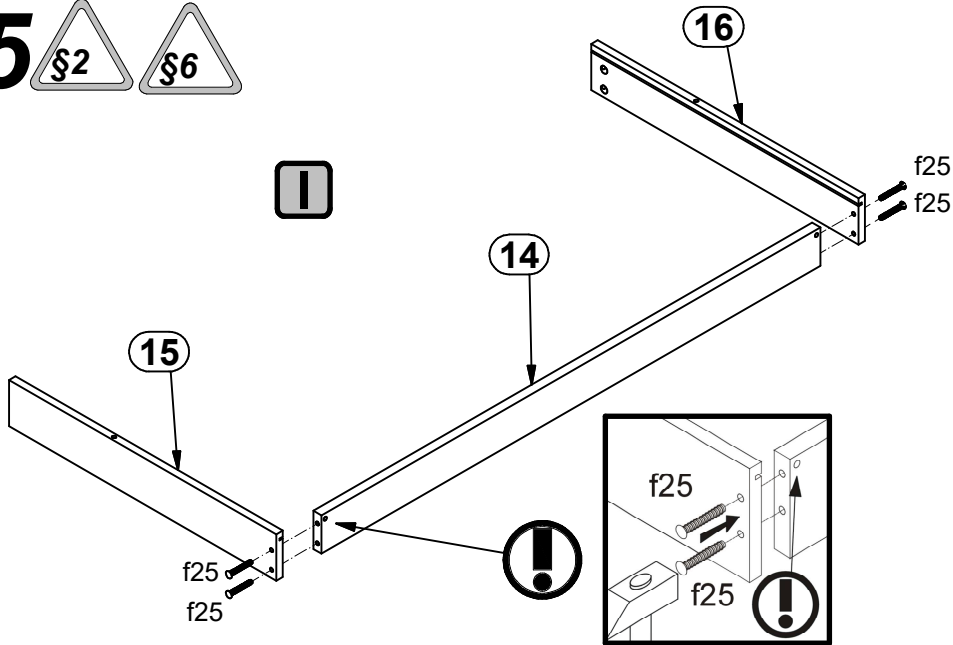
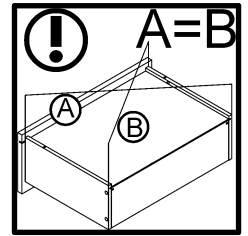
3 



4 



5 §2 §6



6

§6

