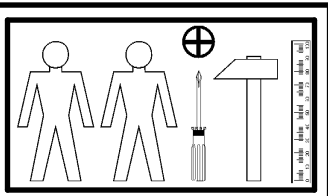
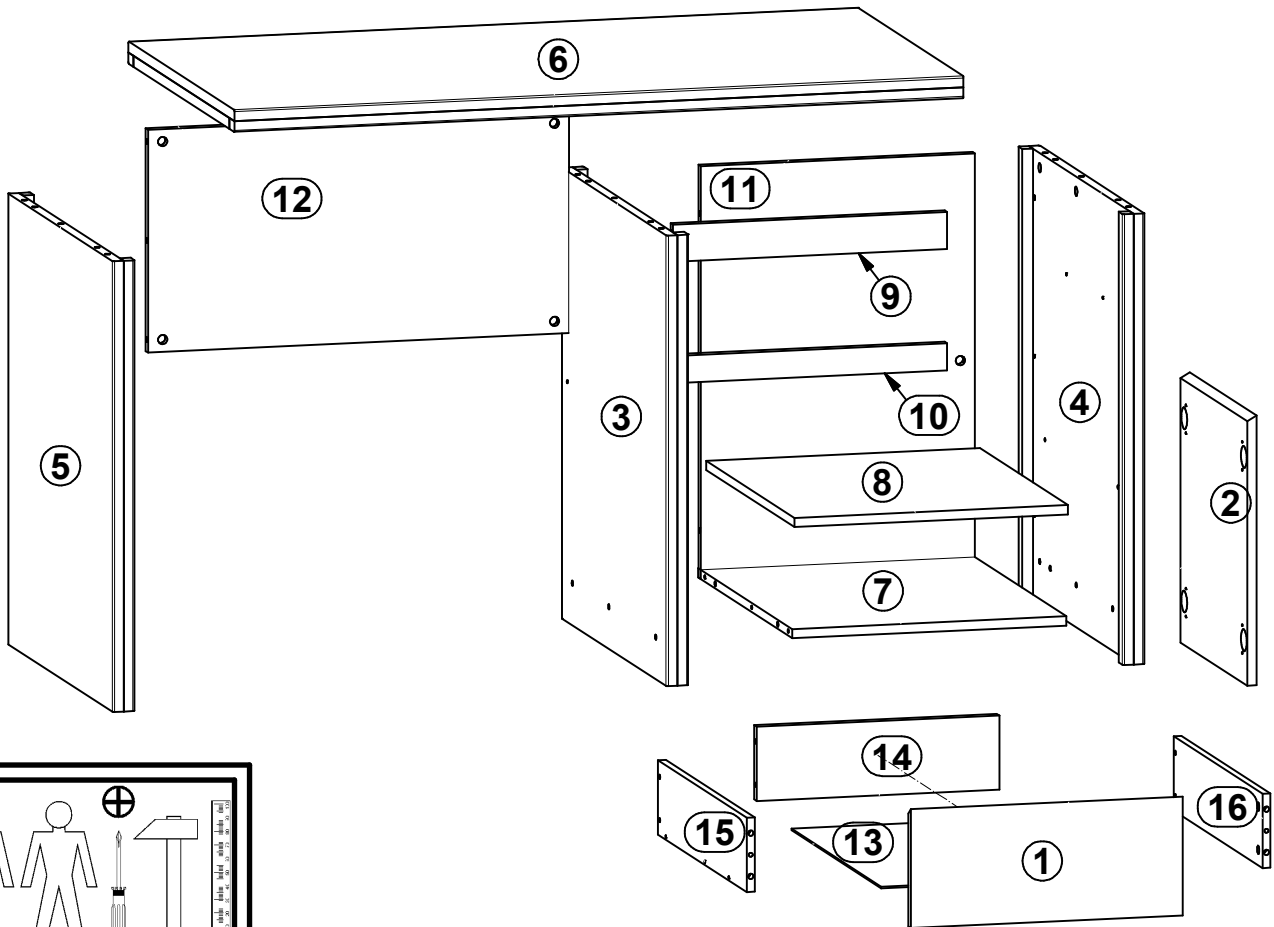
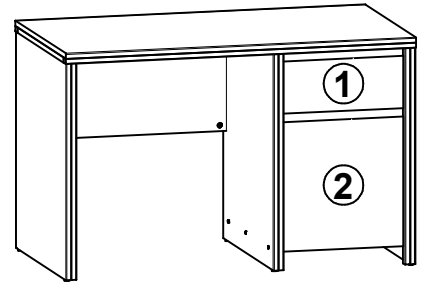


KASPIAN

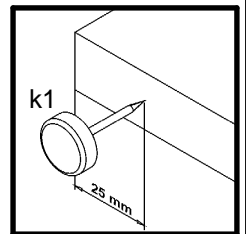
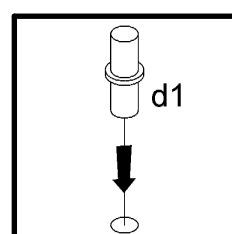
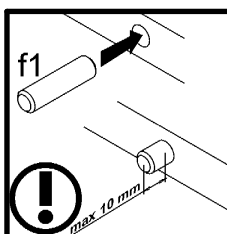
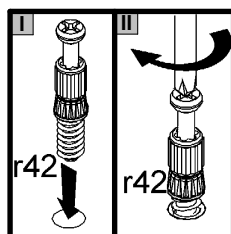
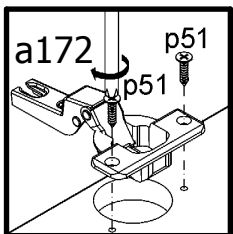
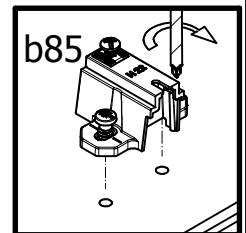
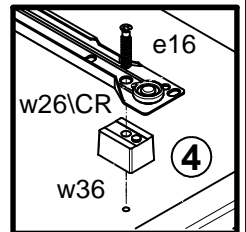
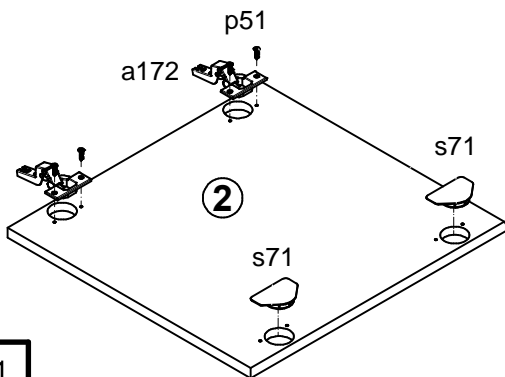
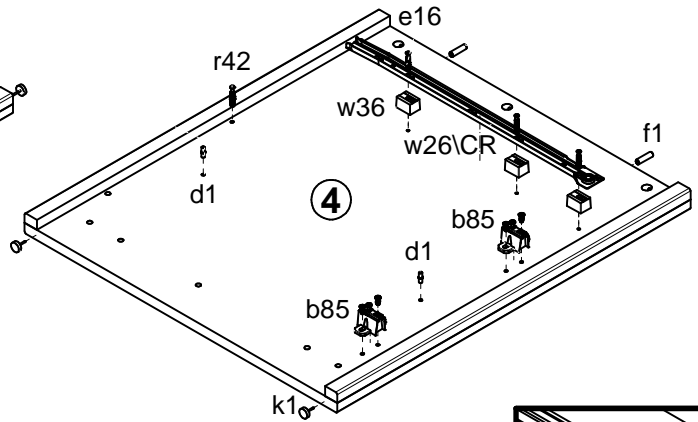
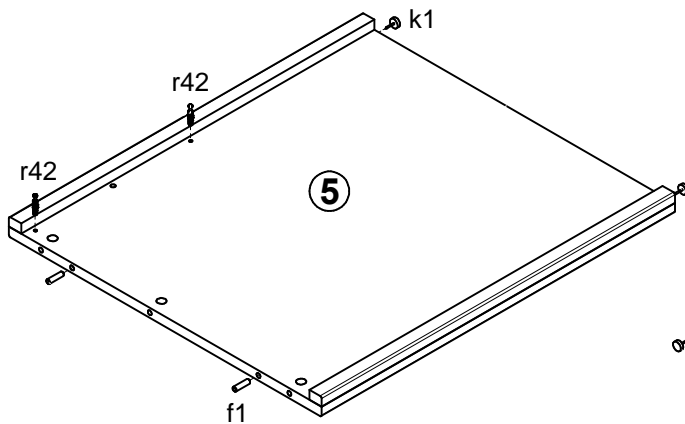
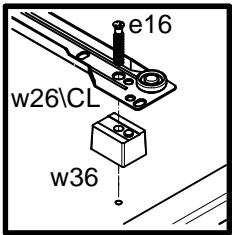
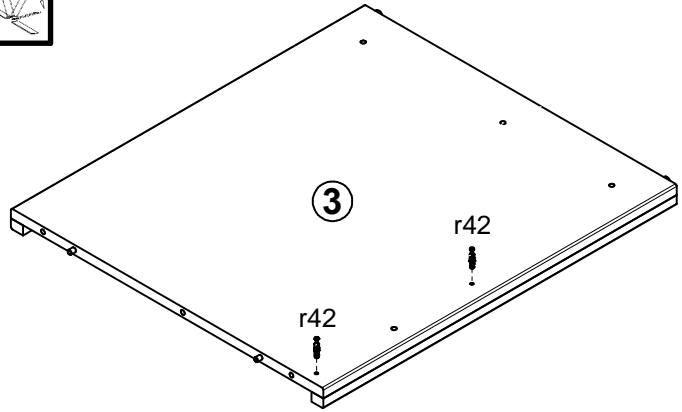
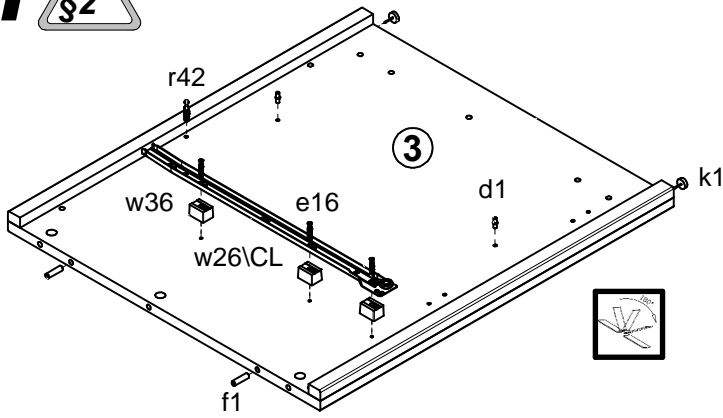
S128-BIU1D1S/120

A	B	C1	C2	C3	D
1	S508-0014	410	176	15	3/3
2	S508-0015	410	436	15	3/3
3	S508-1048	728,	644	36	1/3
4	S508-1049	728,	644	36	1/3
5	S508-1050	728,	644	36	1/3
6	S508-2016	1200	650	36	2/3
7	S508-3024	451	577	15	1/3
8	S508-3025	450	540	15	2/3
9	S508-4013	451	60	15	2/3
10	S508-4014	451	44	15	2/3
11	S508-4301	667	451,	15	1/3
12	S508-4312	693	360	15	1/3
13	WSP-9300	386	505	2,5	2/3
14	ZS7-5036	366	110	15	2/3
15	ZS7-517	500	110	12	2/3
16	ZS7-518	500	110	12	2/3

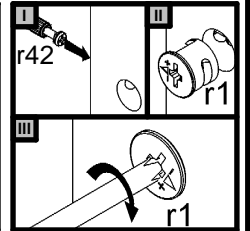
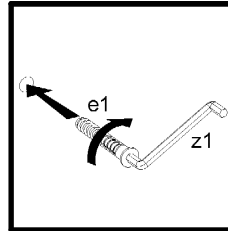
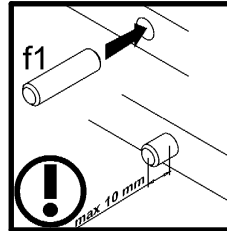
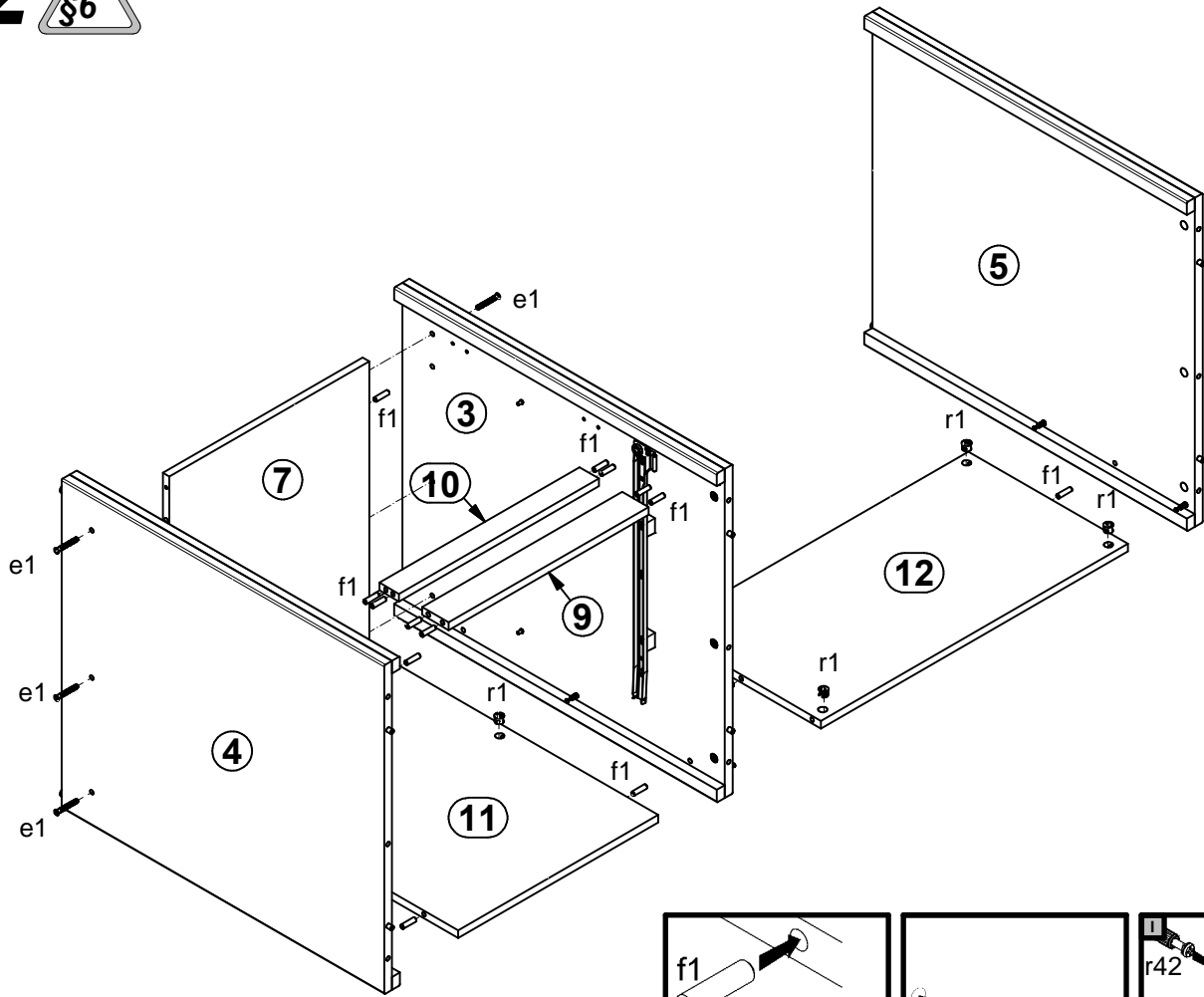


2x K18 Ø35 a172	2x ^{024,5} b85	4x φ5x17 mm d1	6x φ7x50 mm e1	6x φ6x30 mm e16	6x φ5x9 mm e19	5x l1	2x Ø6x30 mm f9	24x φ8x30 mm f1
4x φ6.5x40 mm f25	6x k1	4x φ3.5x15 mm p51	15x φ1.5x12mm #16 r1	4x φ12x10.5mm #12 r15	19x r42	1x 500 mm w26\CL	1x 500 mm w26\CR	1x 500 mm w26\DL
1x 500 mm w26\DR	6x h=18 mm w36	1x z1	6x s1	7x ø16 s2	2x ø35x62x40x10 S71			

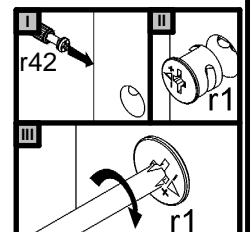
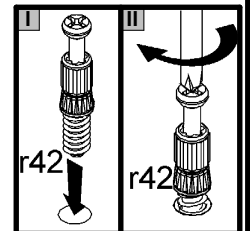
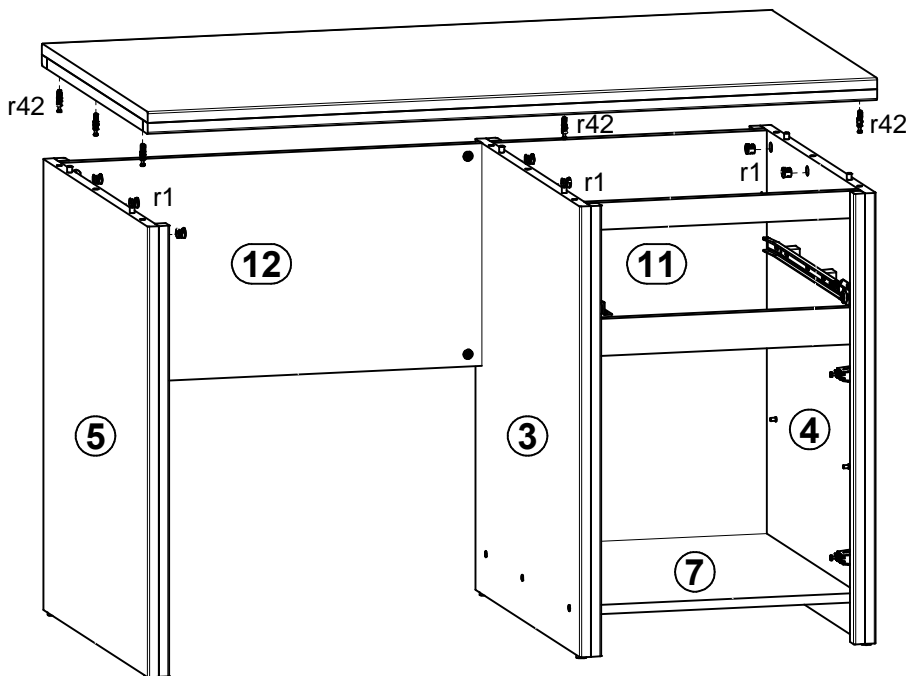
1 



2

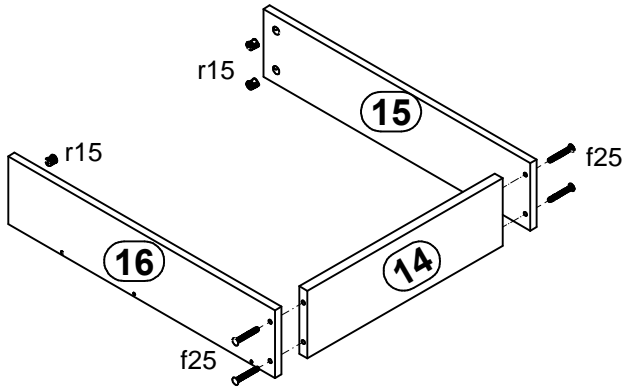


3

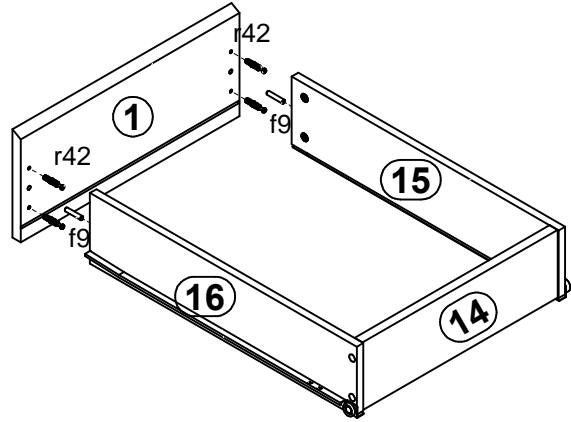


3

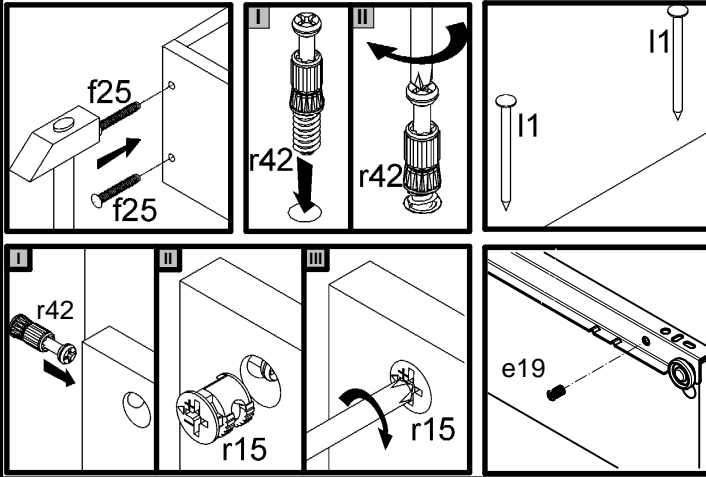
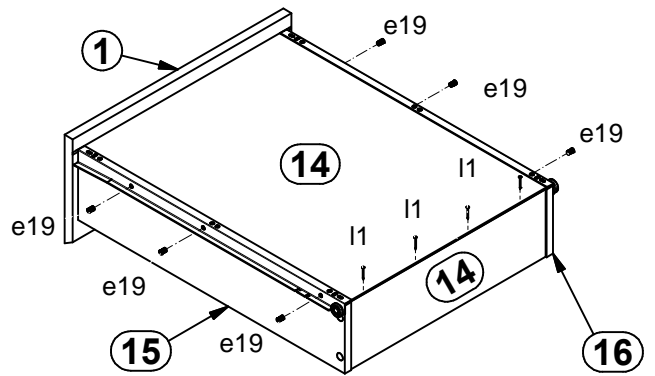
I



II



III



4

