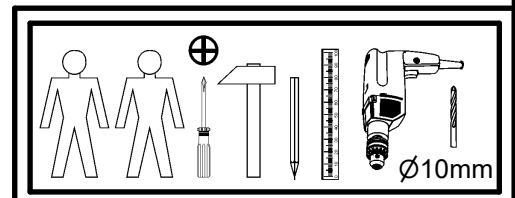
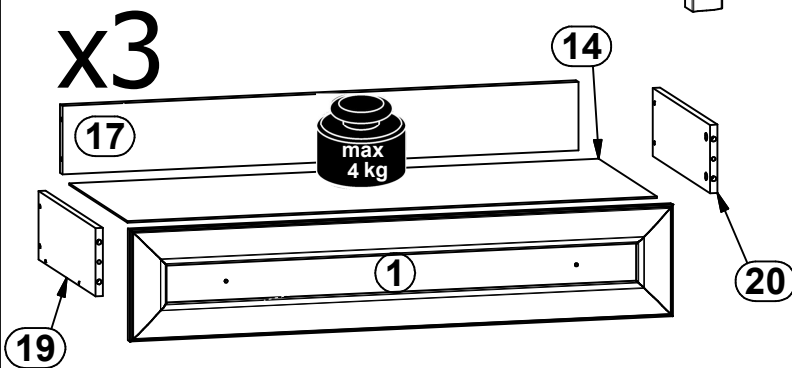
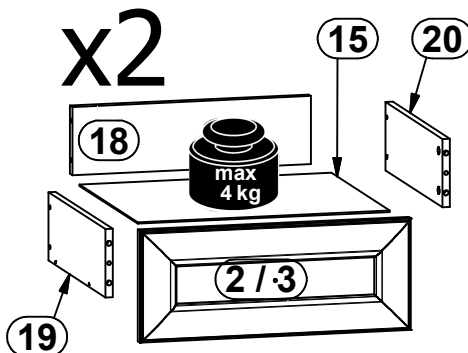
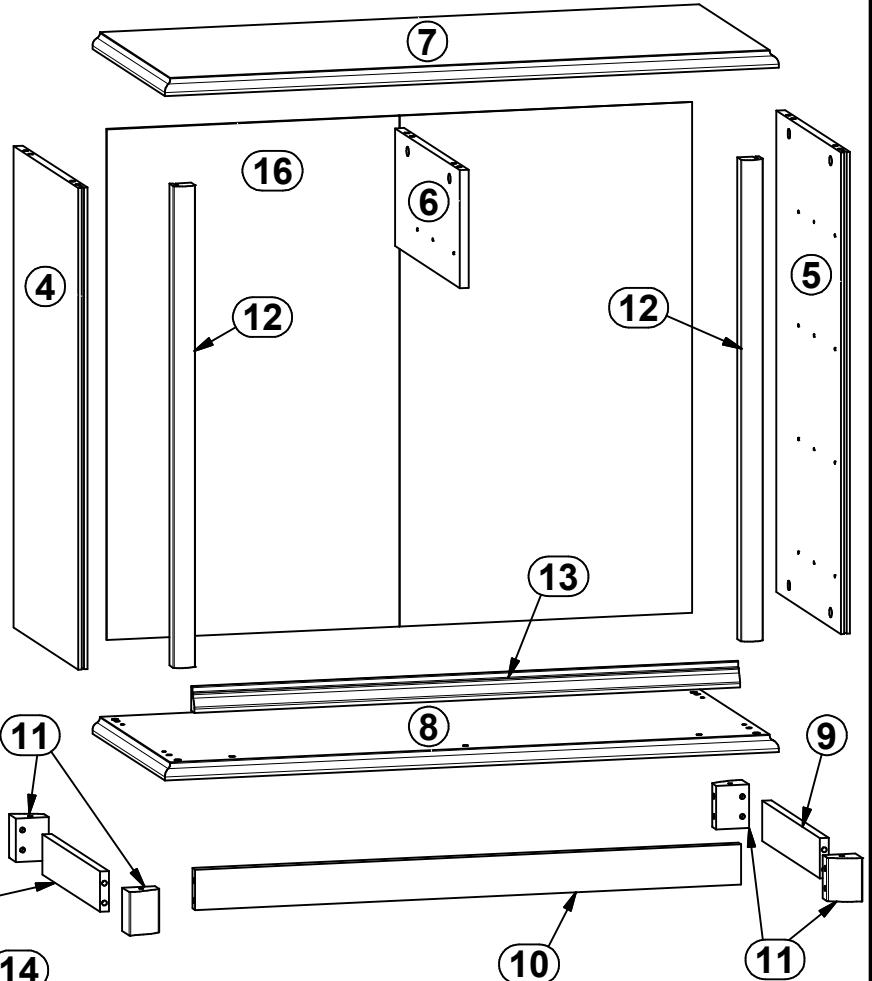
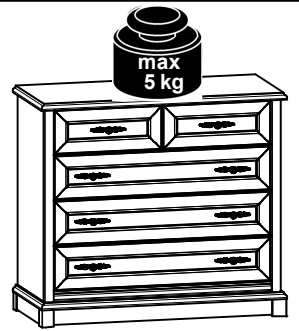
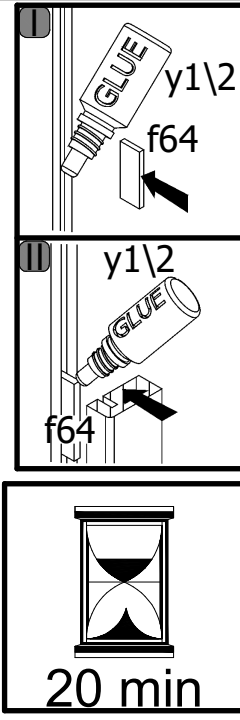
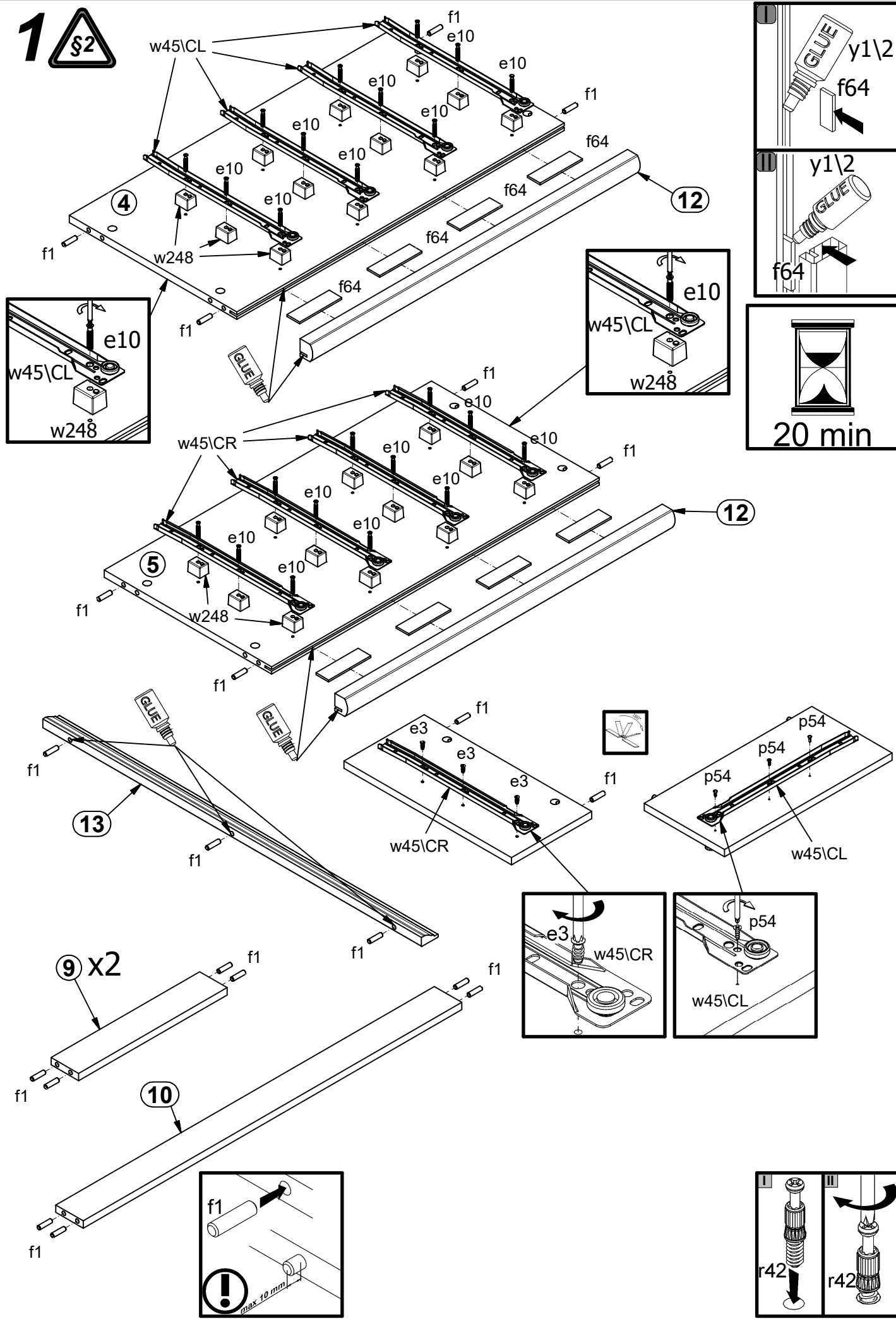


A	B	C	D	
1	S447-0002	892	180	3/3
2	S447-0003	445	180	3/3
3	S447-0004	445	180	3/3
4	S447-1003	776	397	1/3
5	S447-1004	776	397	1/3
6	S447-1005	190	397	1/3
7	S447-2003	1009	444	2/3
8	S447-2004	1009	444	2/3
9	S447-4002	352	65	1/3
10	S447-4003	897	65	1/3
11	S447-5003	70	54	1/3
12	S447-5006	776	36	1/3
13	S447-5007	897	40	1/3
14	S447-9002	870	357	1/3
15	S447-9003	414	357	1/3
16	S447-9302	823	962	1/3
17	ZS7-5031	848	110	1/3
18	ZS7-5032	392	110	1/3
19	ZS7-521	350	110	1/3
20	ZS7-522	350	110	1/3

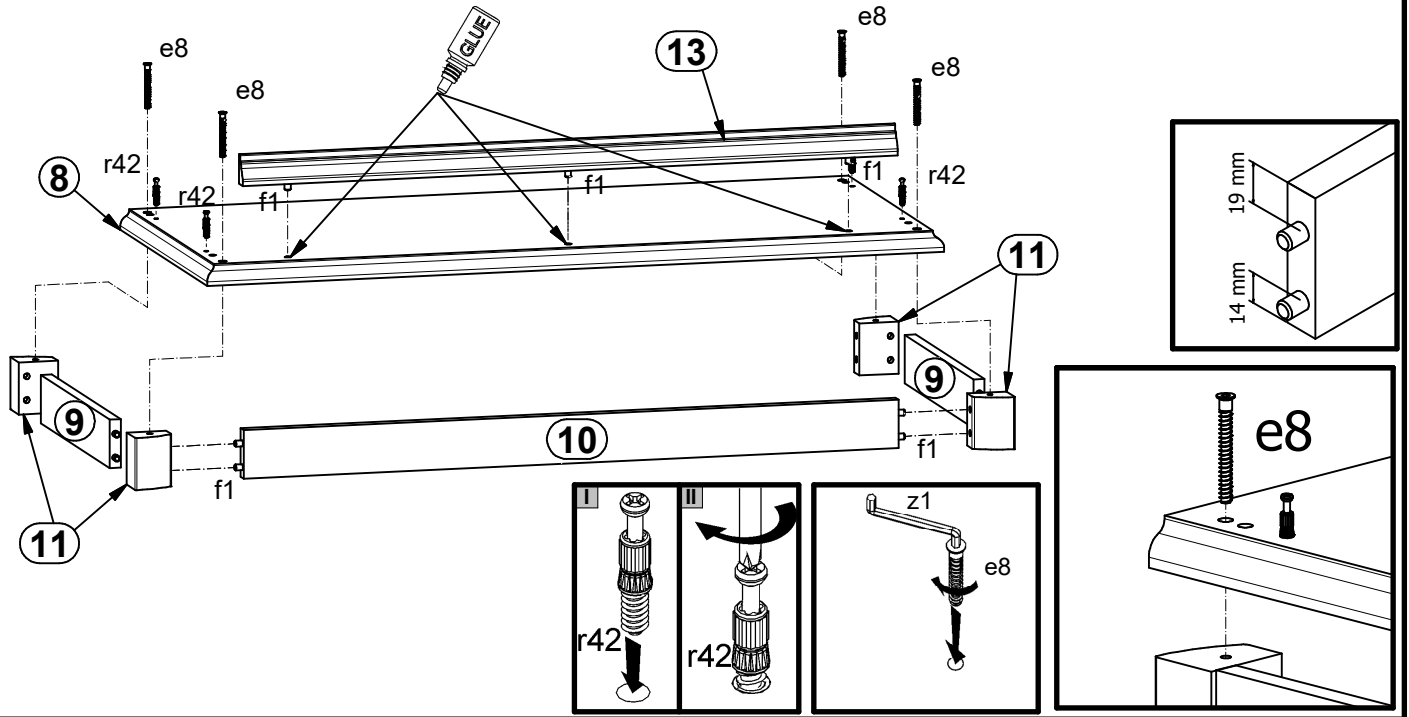


8x c3511	8x c3512	3x Ø6x13 mm e3	4x Ø7x60 mm e8	24x Ø6x33 mm e10	20x Ø5x9 mm e19	25x Ø8x30 mm f1	10x Ø6x30 mm f9	20x Ø6.5x40 mm f25
8x 100x30x3.8 mm f64	8x M4x20 mm j1	35x 1.4x20 mm l1	3x Ø3.5x16 mm p25	3x Ø3.5x10 mm p35	24x Ø3.5x16 mm p38	3x Ø3x12 mm p54	10x Ø15x12 mm #16 r1	20x Ø12x10.5 mm #12 r15
30x 20/11 r42	3x 350 mm t35	5x 350 mm w45\CL	5x 350 mm w45\CR	5x 350 mm w45\DL	5x 350 mm w45\DR	24x H=21mm w248	1x 30g y1\2	1x 4 mm z1
							1x n26	1x Ø3.5x16 mm p38

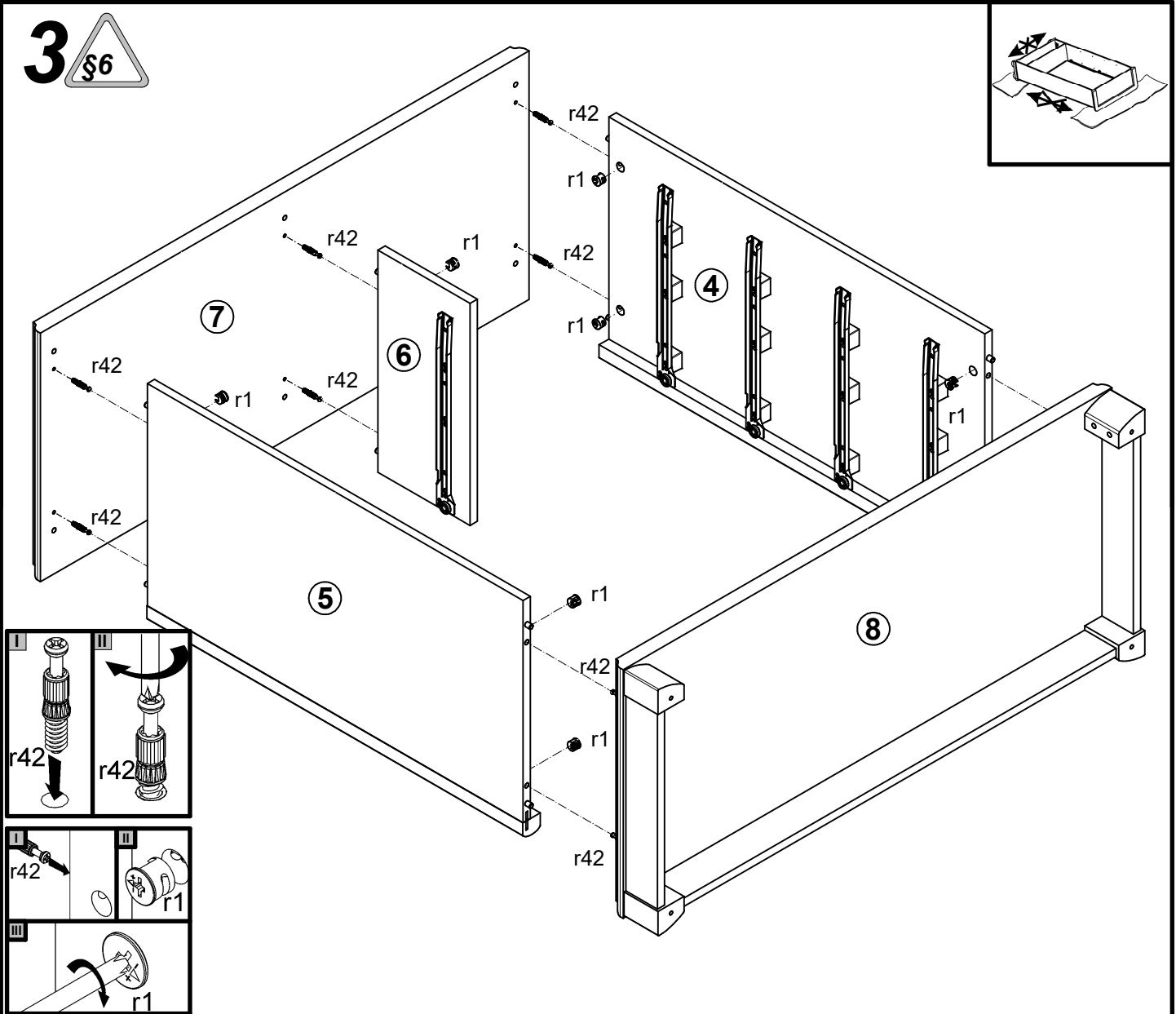
1 

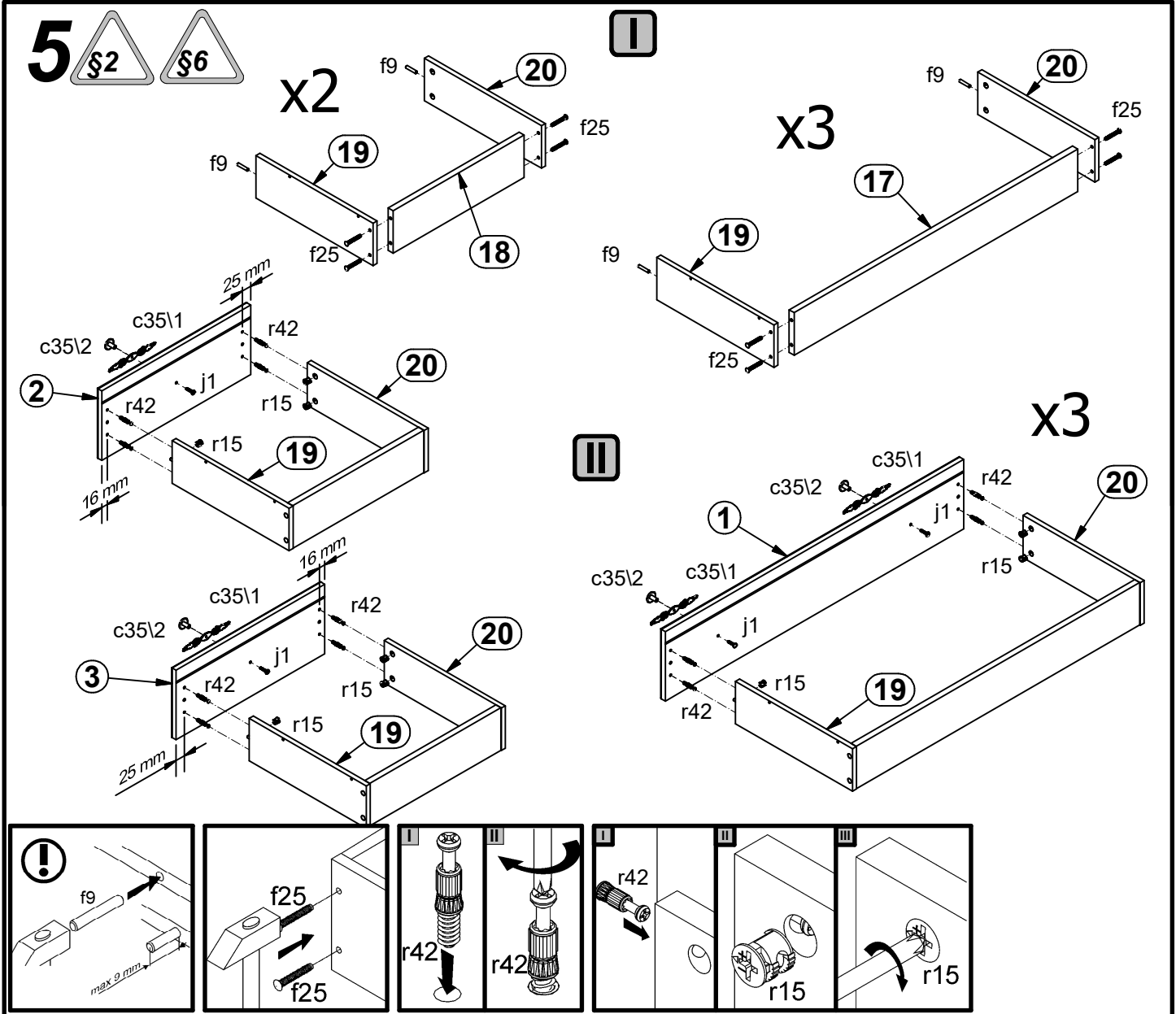
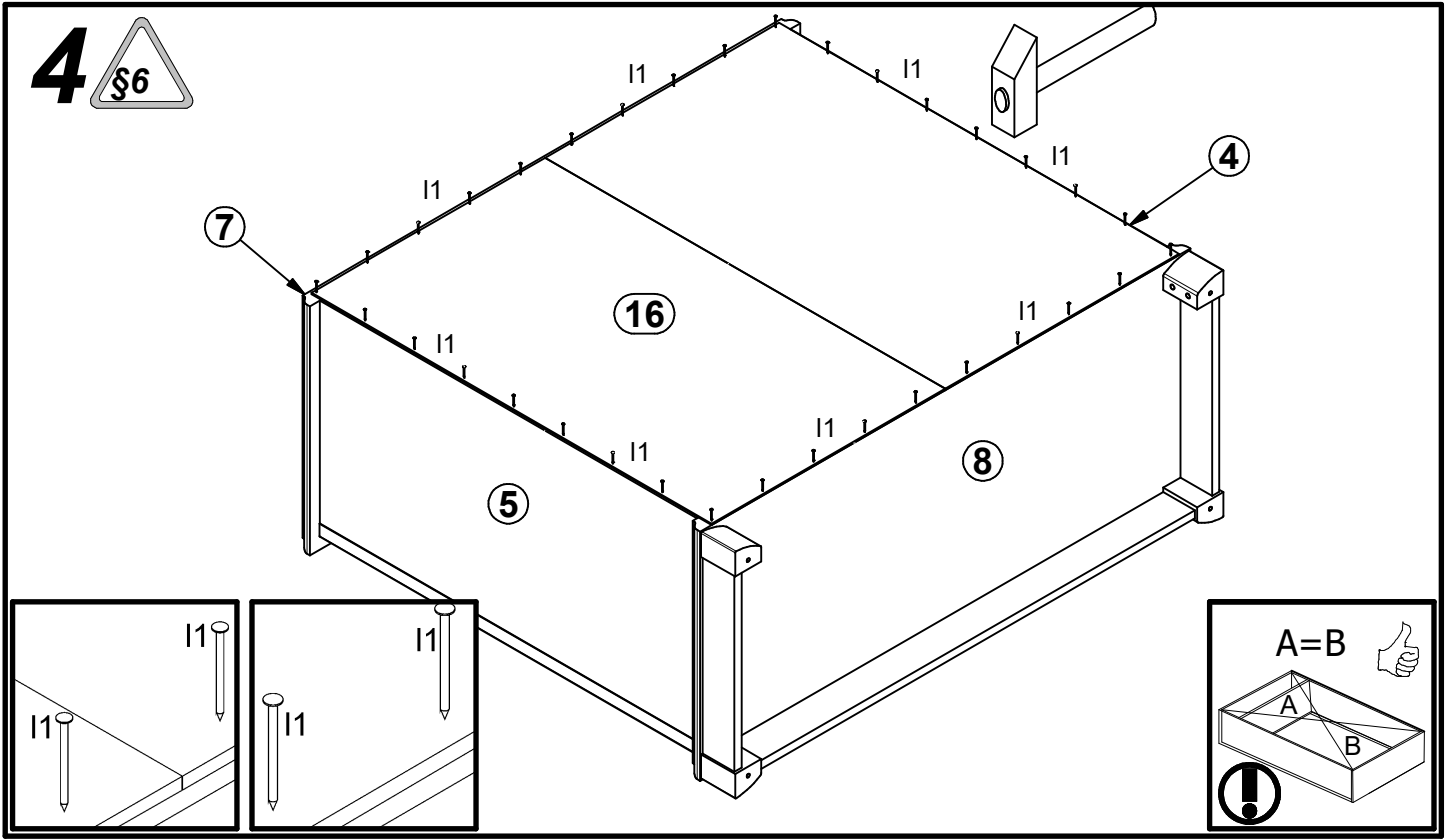


2

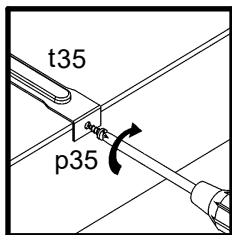
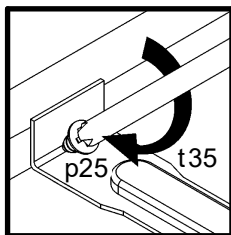
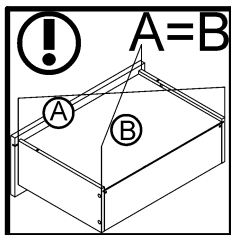
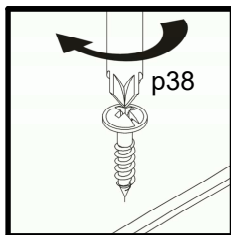
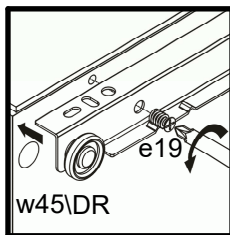
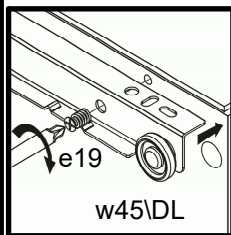
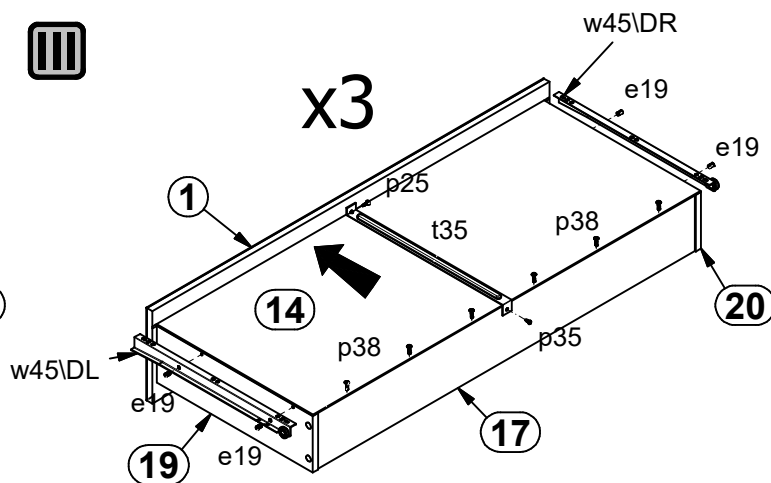
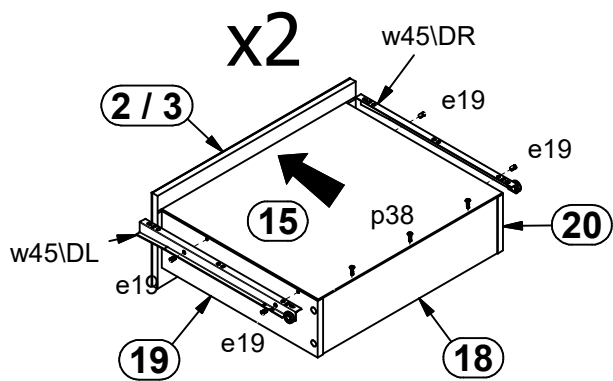


3





6



7

