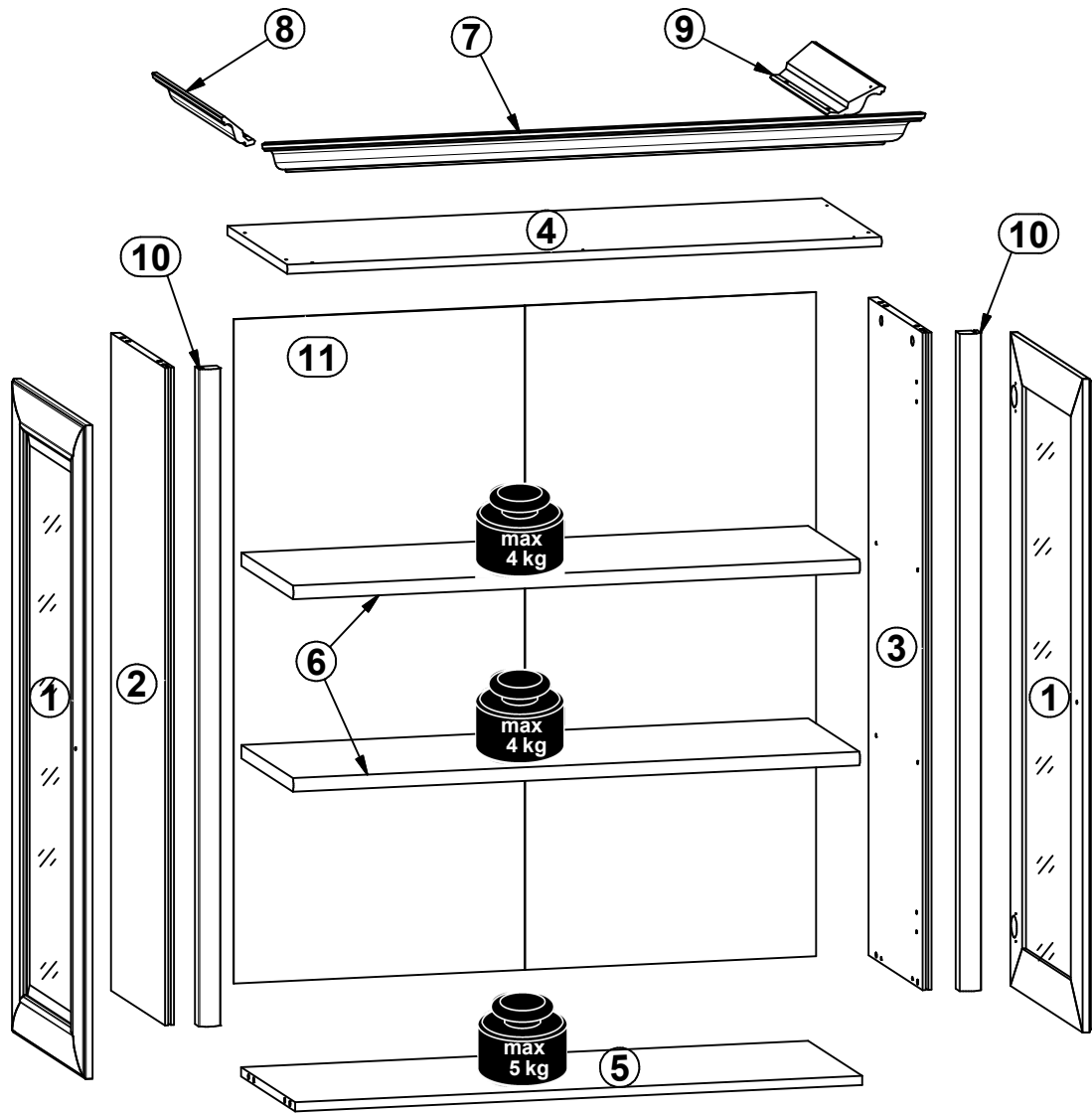
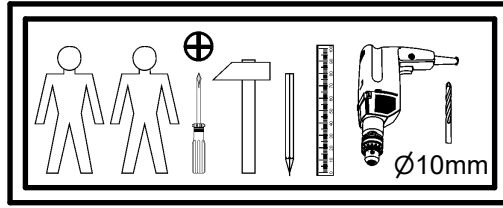
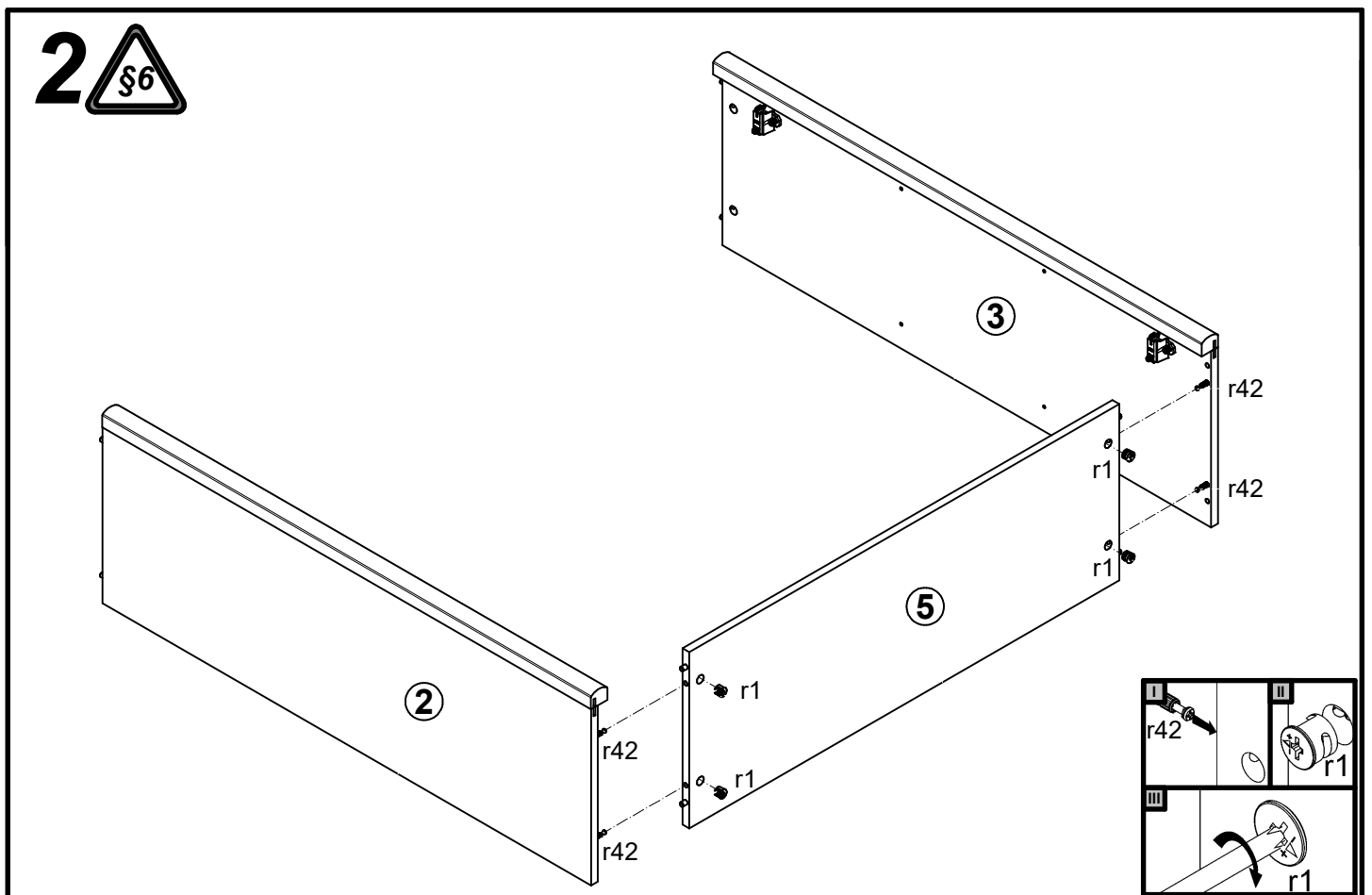
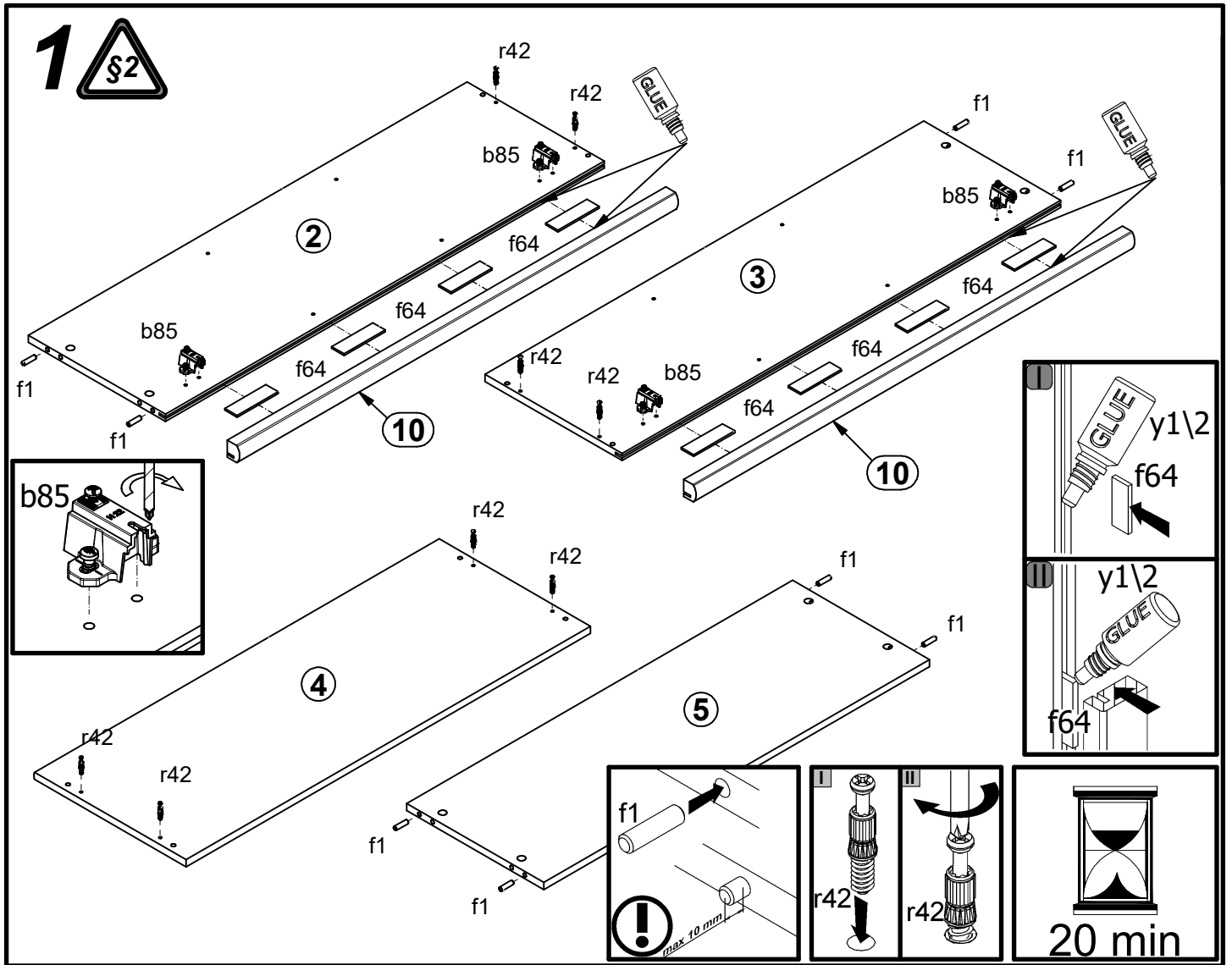


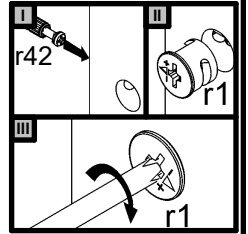
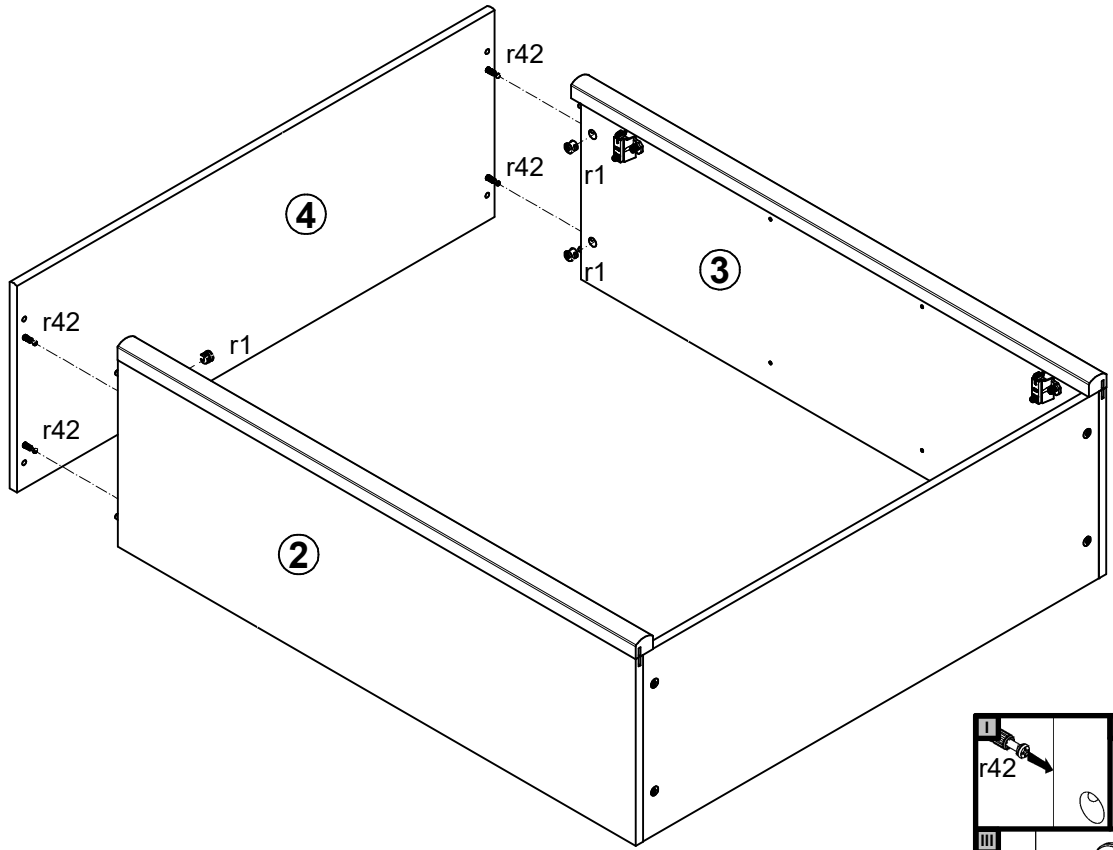
A	B	C	D
1	S447-0032	1060	445 2/3 , 3/3
2	S447-1042	1066	333 1/3
3	S447-1043	1066	333 1/3
4	S447-2015	983	370 1/3
5	S447-3027	938	333 1/3
6	S447-3008	937	322 1/3
7	S447-5023	1097	92,5 1/3
8	S447-5030	427	92,5 1/3
9	S447-5031	427	92,5 1/3
10	S447-5100	1066	36 1/3
11	S447-9318	1077	963 1/3



4x K18 Ø35 <b>a172</b>	4x Ø24,5 <b>b85</b>	2x <b>c3511</b>	2x <b>c3512</b>	8x Ø5x17 mm <b>d1</b>	8x Ø8x30 mm <b>f1</b>	8x 100x30x3,8 mm <b>f64</b>	2x M4x30 mm <b>j6</b>	35x 1,4x20 mm <b>l1</b>
2x 26x26x16/1-125° <b>n40</b>	2x 62x12/1 mm <b>n52</b>	6x Ø3,5x16 mm <b>p25</b>	7x Ø4x20 mm <b>p39</b>	4x Ø3x7 mm <b>p46</b>	8x Ø3,5x15 mm <b>p51</b>	8x Ø15x12 mm #16 <b>r1</b>	8x 20/11 <b>r42</b>	4x Ø16 <b>s2</b>
1x GLUE 30g <b>y1/2</b>								
							1x <b>n26</b>	1x Ø3,5x16 mm <b>p38</b>



# 3



# 4

