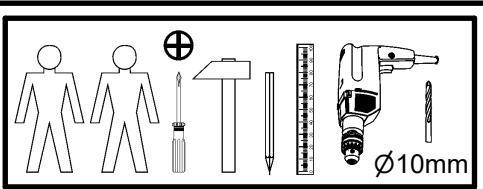
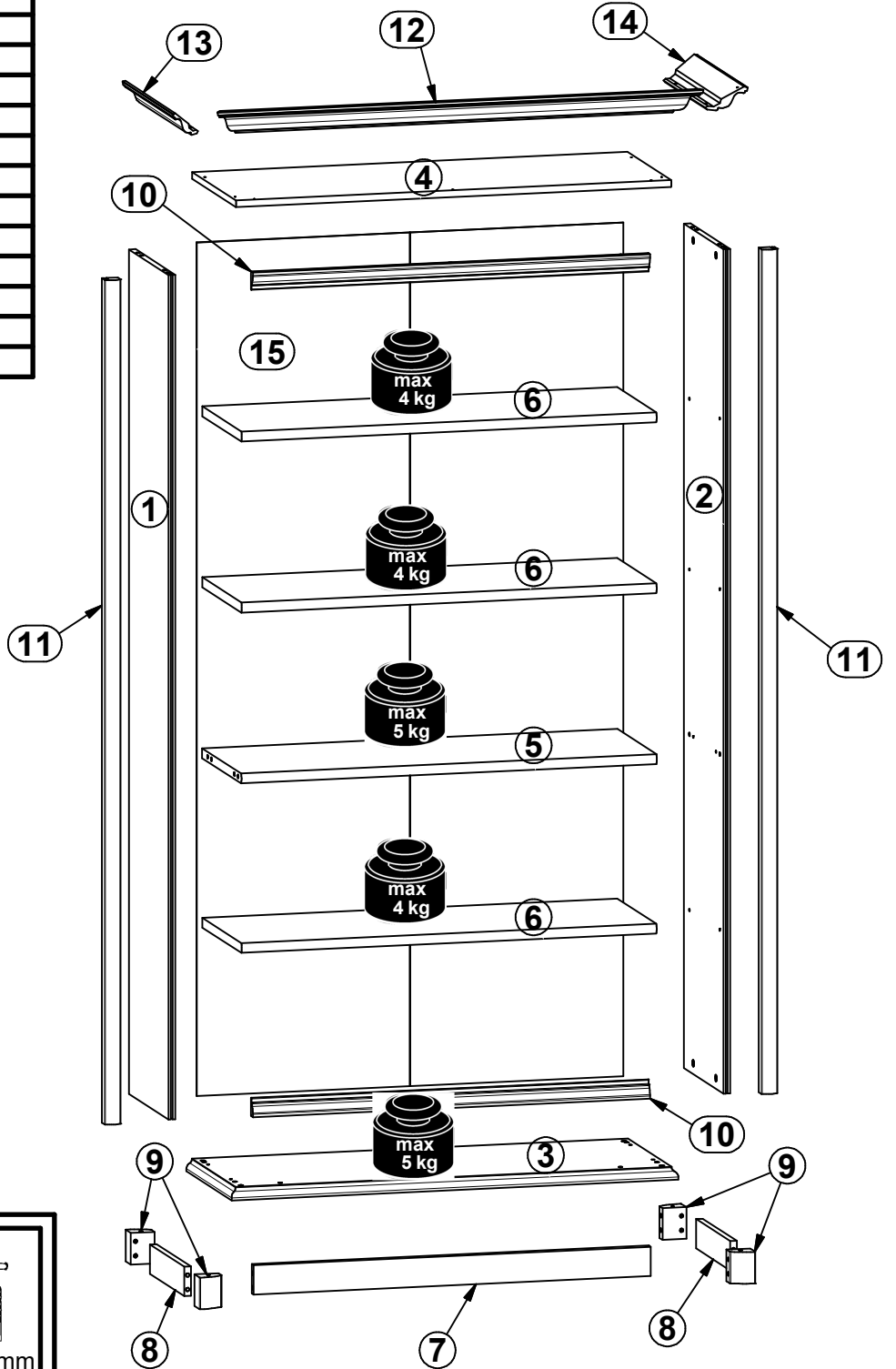
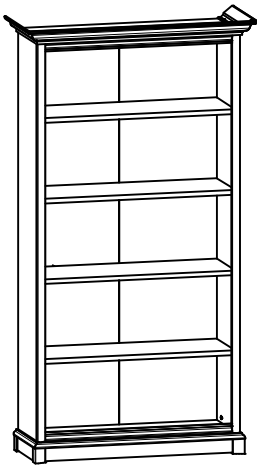
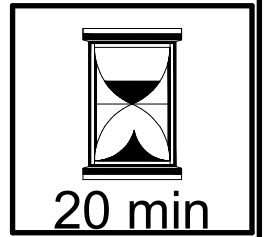
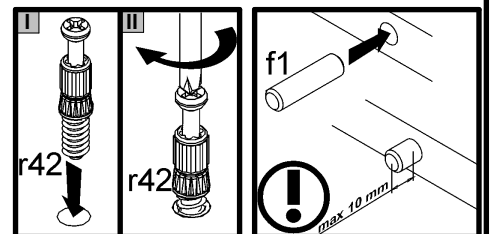
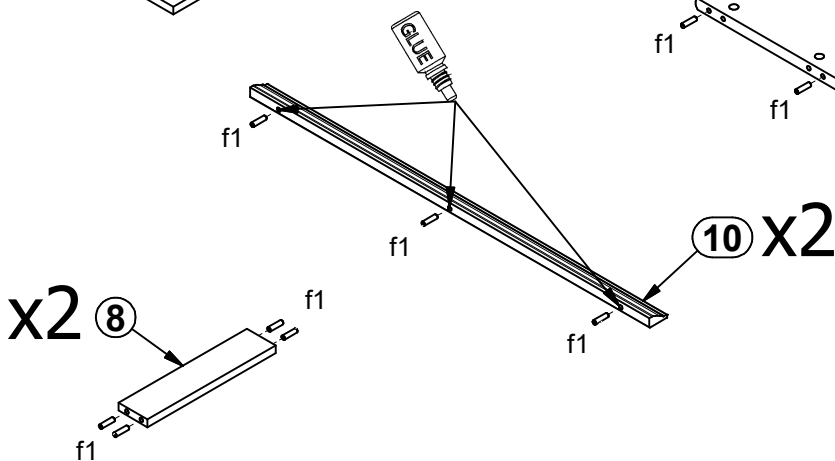
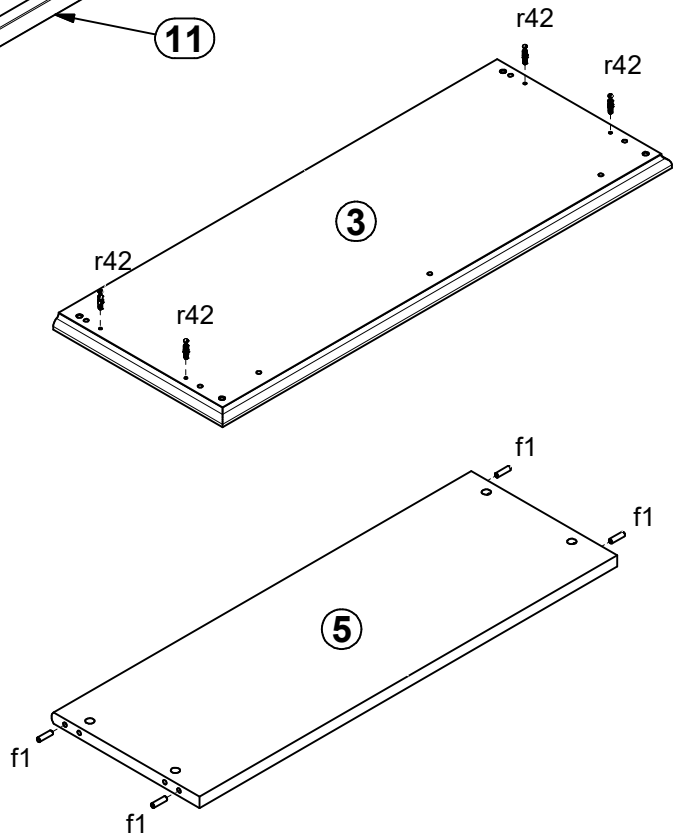
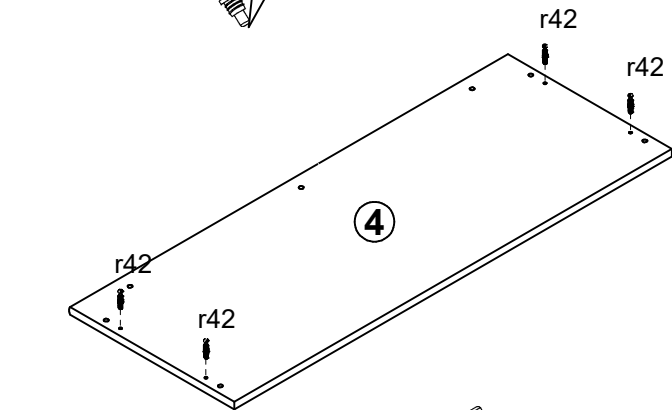
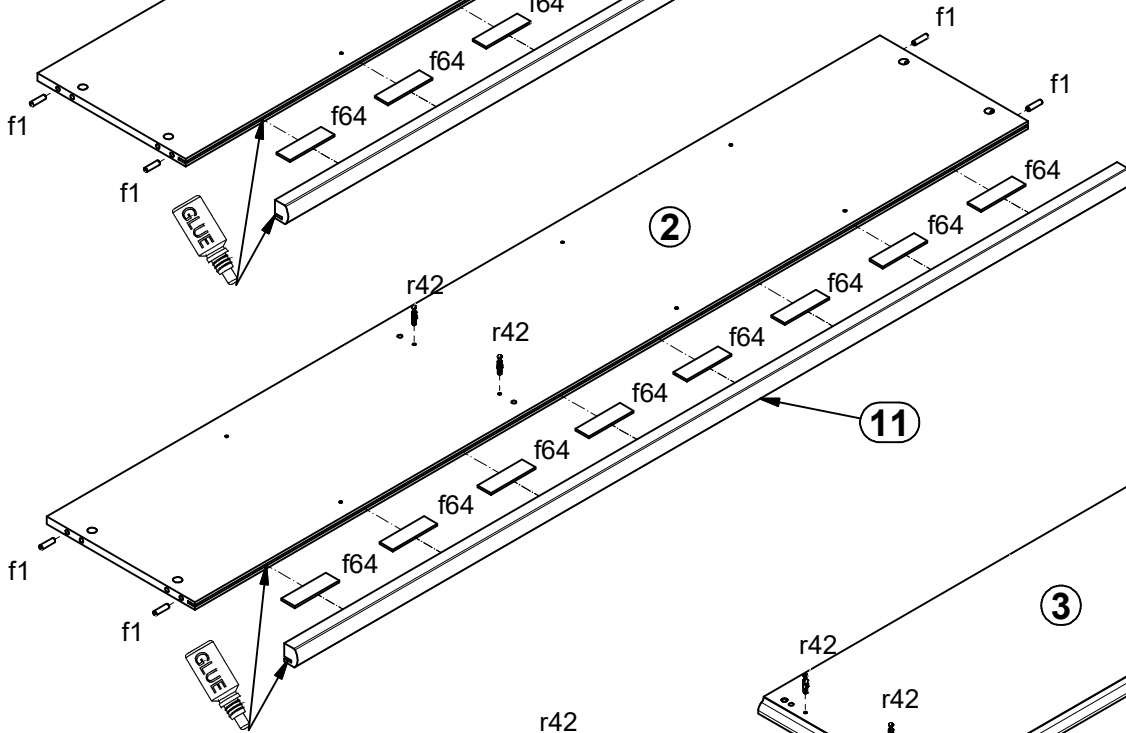
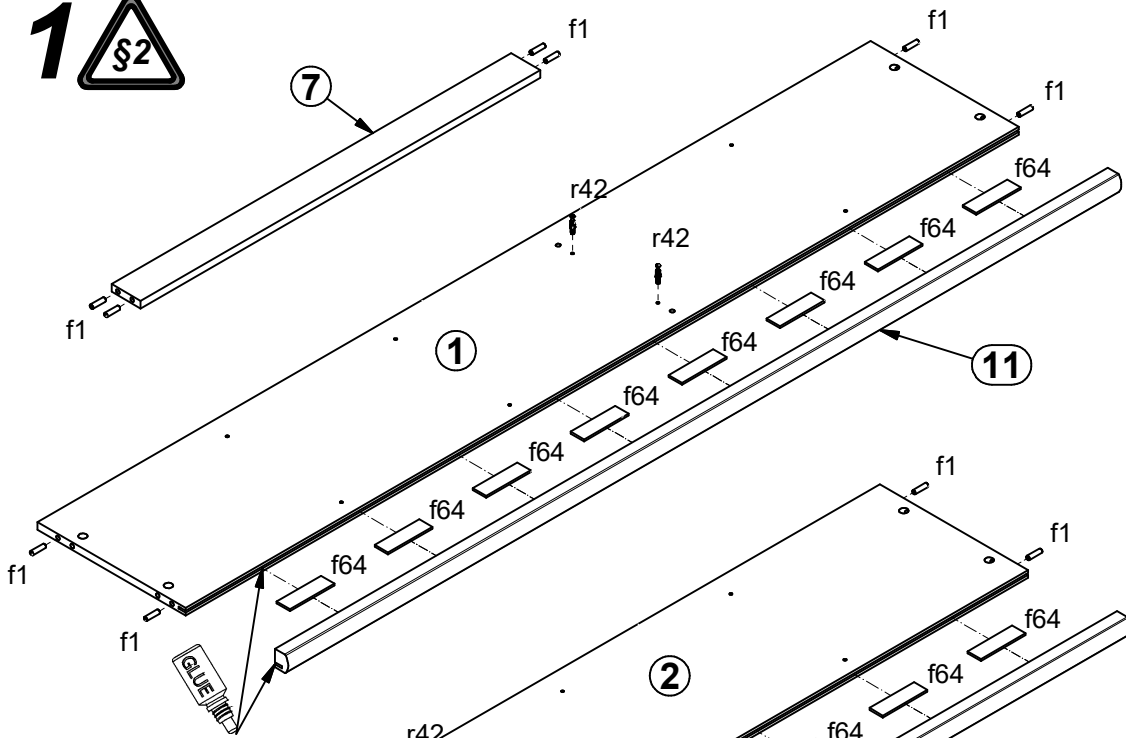


A	B	C	D	
1	S447-1023	1870	333	1/2
2	S447-1024	1870	333	1/2
3	S447-2016	1009	380	2/2
4	S447-2020	983	370	2/2
5	S447-3011	938	332	2/2
6	S447-3012	937	332	2/2
7	S447-4003	897	65	2/2
8	S447-4006	288	65	2/2
9	S447-5003	70	54	2/2
10	S447-5007	897	40	2/2
11	S447-5014	1870	36	1/2
12	S447-5023	1097	92,5	2/2
13	S447-5030	427	92,5	2/2
14	S447-5031	427	92,5	2/2
15	S447-9310	1890	963	1/2

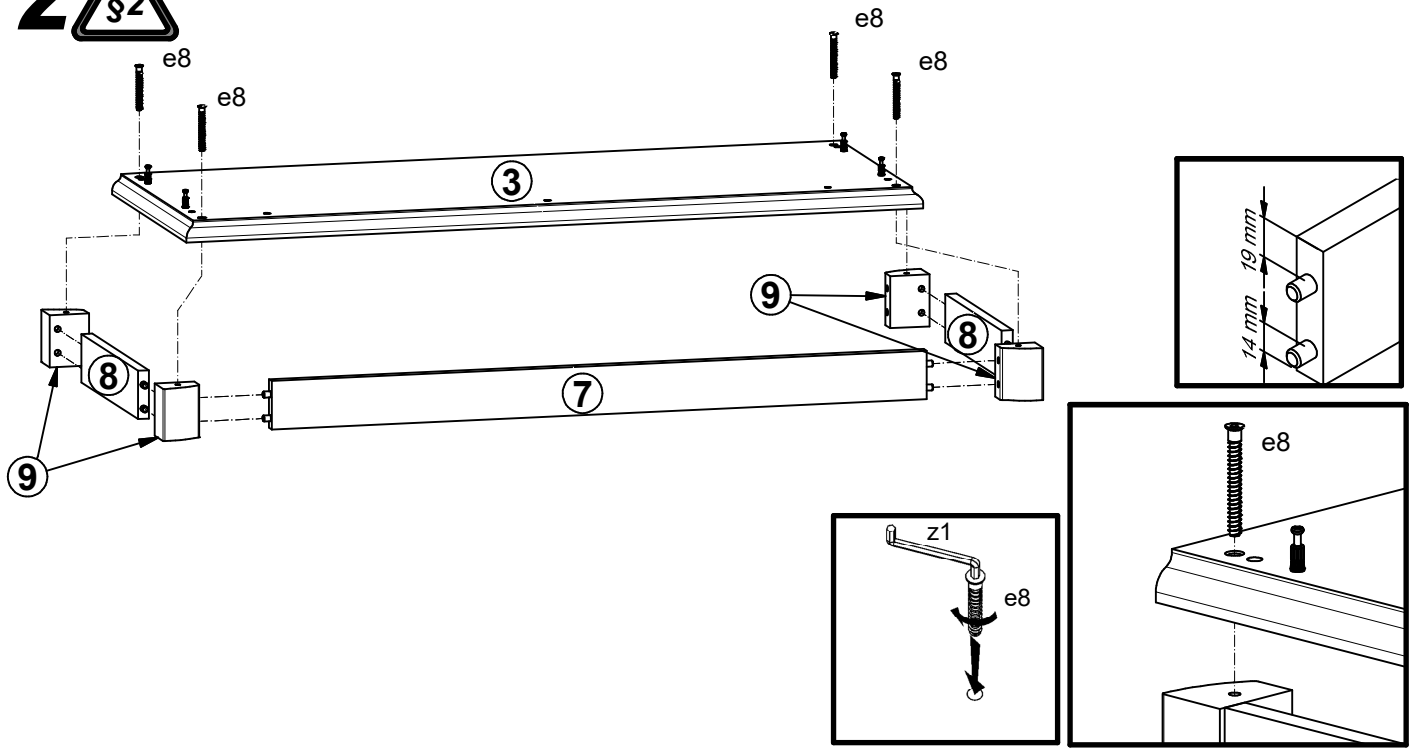


12x Ø5x17 mm d1	4x Ø7x60 mm e8	30x Ø8x30 mm f1	16x 100x30x3,8 mm f64	65x 1,4x20 mm l1	2x 26x26x16/1-125° n40	7x Ø4x20 mm p39	4x Ø3x7 mm p46	12x Ø15x12 mm #16 r1
12x 20/11 r42	4x Ø16 s2	1x 30g y1\2	1x 4 mm z1					
						1x n26	1x Ø3,5x16 mm p38	

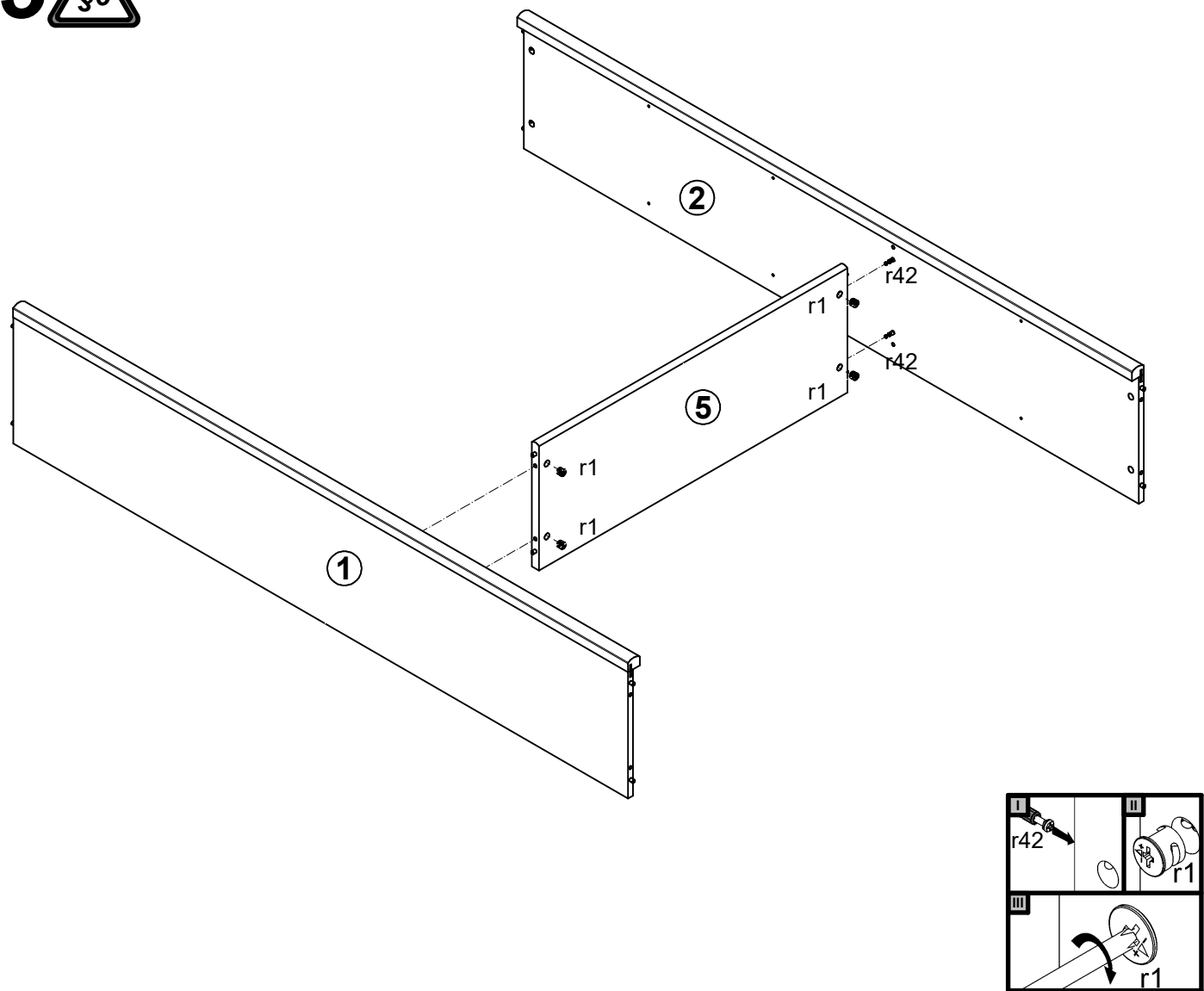
1 



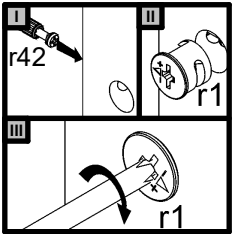
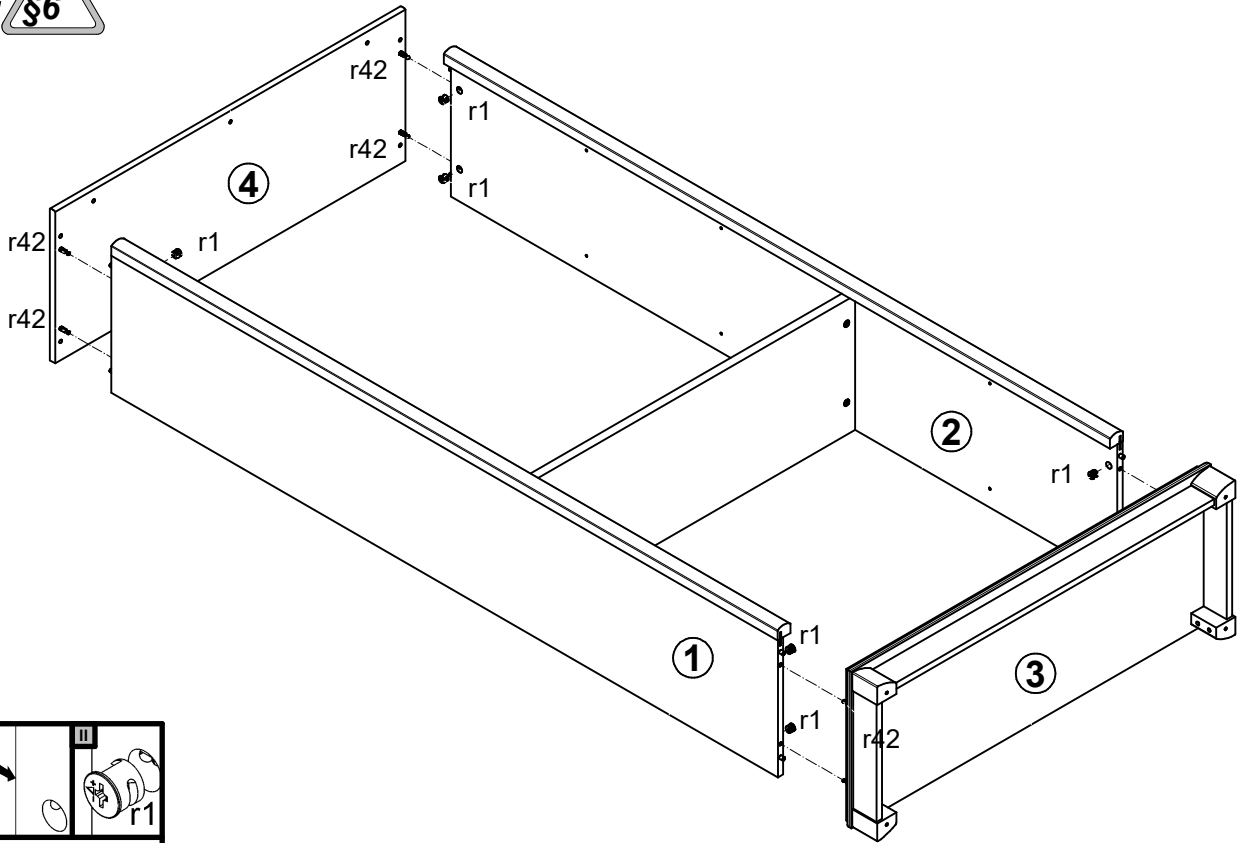
2



3



4



5

