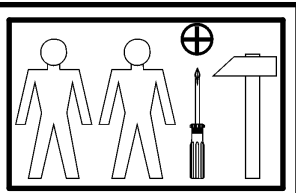
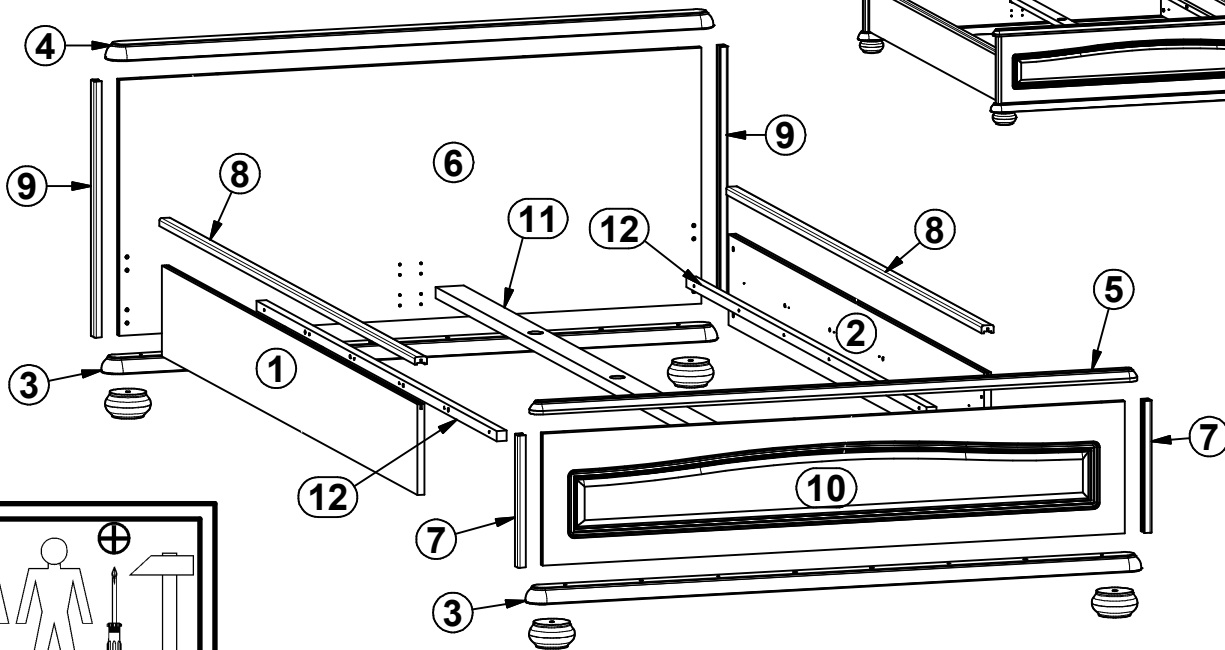
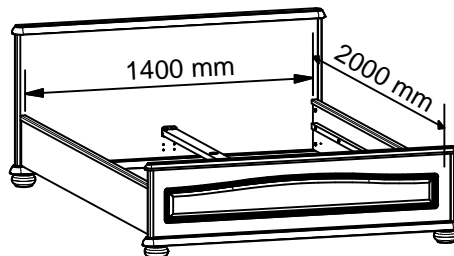


A

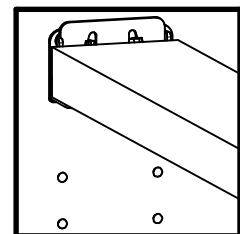
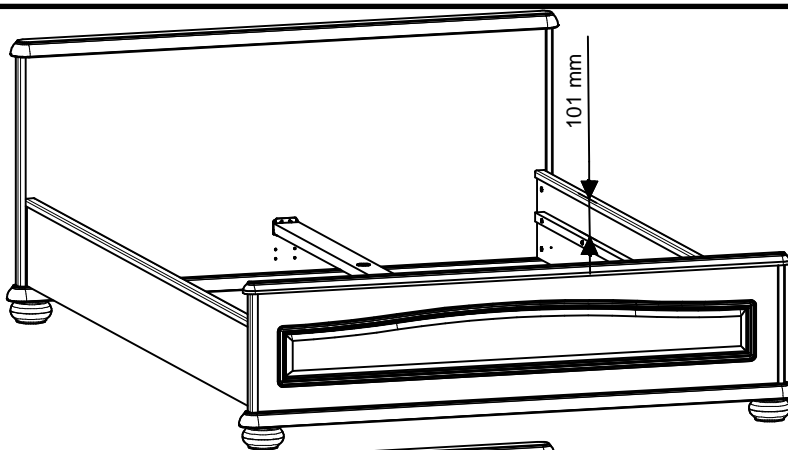
Natalia III

S41-LOZ/140

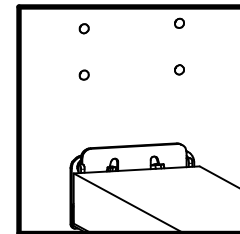
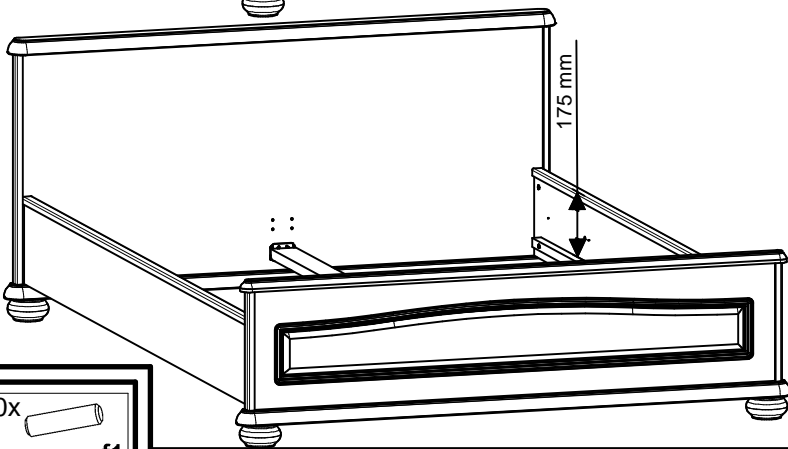
A	B	C	D	A	B	C	D
1	S41-161	2000	220	2/6	7	S41-5010	320, 30, 4/6
2	S41-162	2000,	220,	2/6	8	S41-580	2000 30 5/6
3	S41-239	1538,	80,	1/6	9	S41-581	620 30 5/6
4	S41-240	1518,	80,	1/6	10	S41-7102	1456 320 5/6
5	S41-241	1518	50	1/6	11	ZZ1-745	1983 70 2/6
6	S41-420 A	1456,	620	3/6	12	ZZ1-754	1880 25 2/6



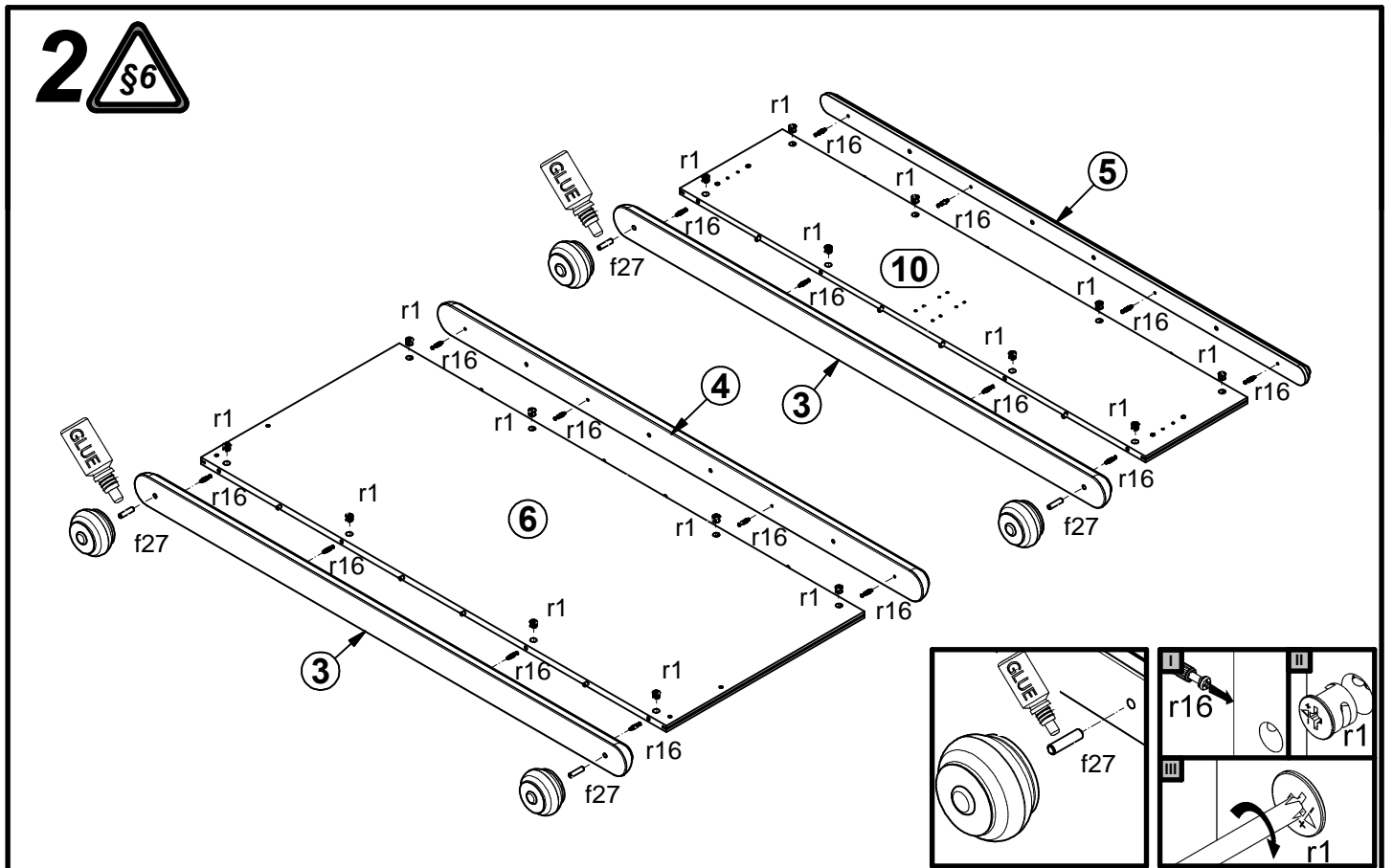
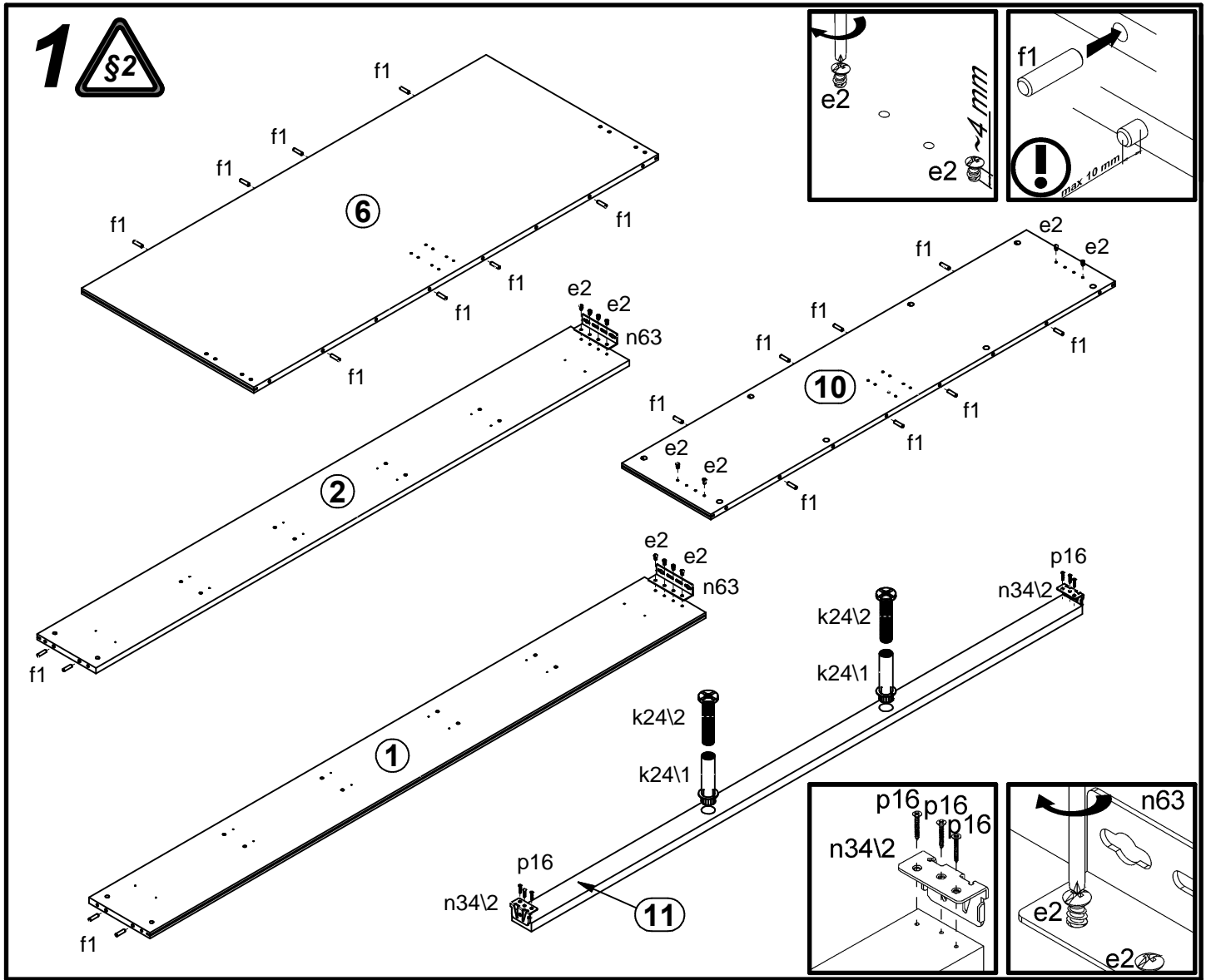
A



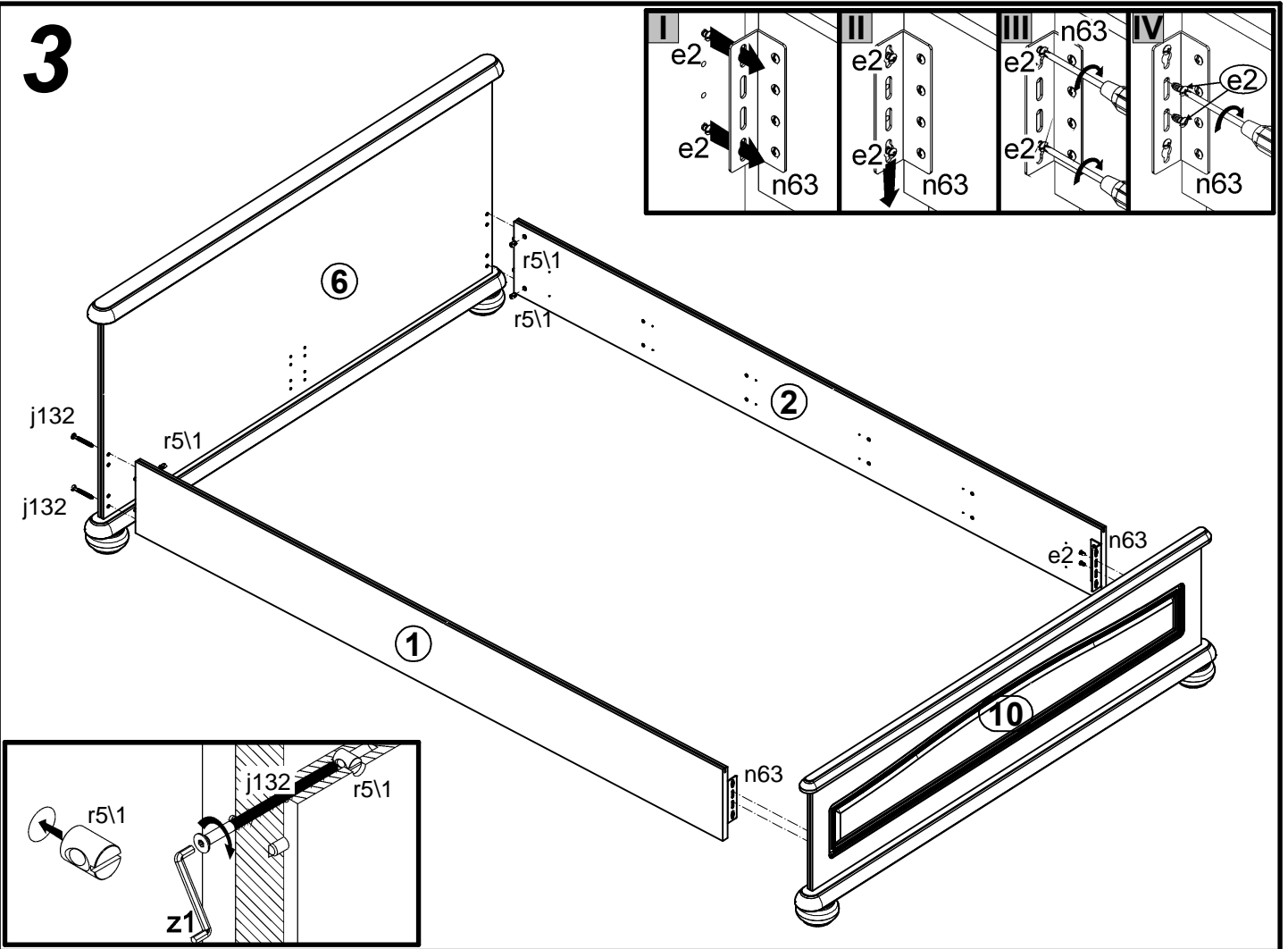
B



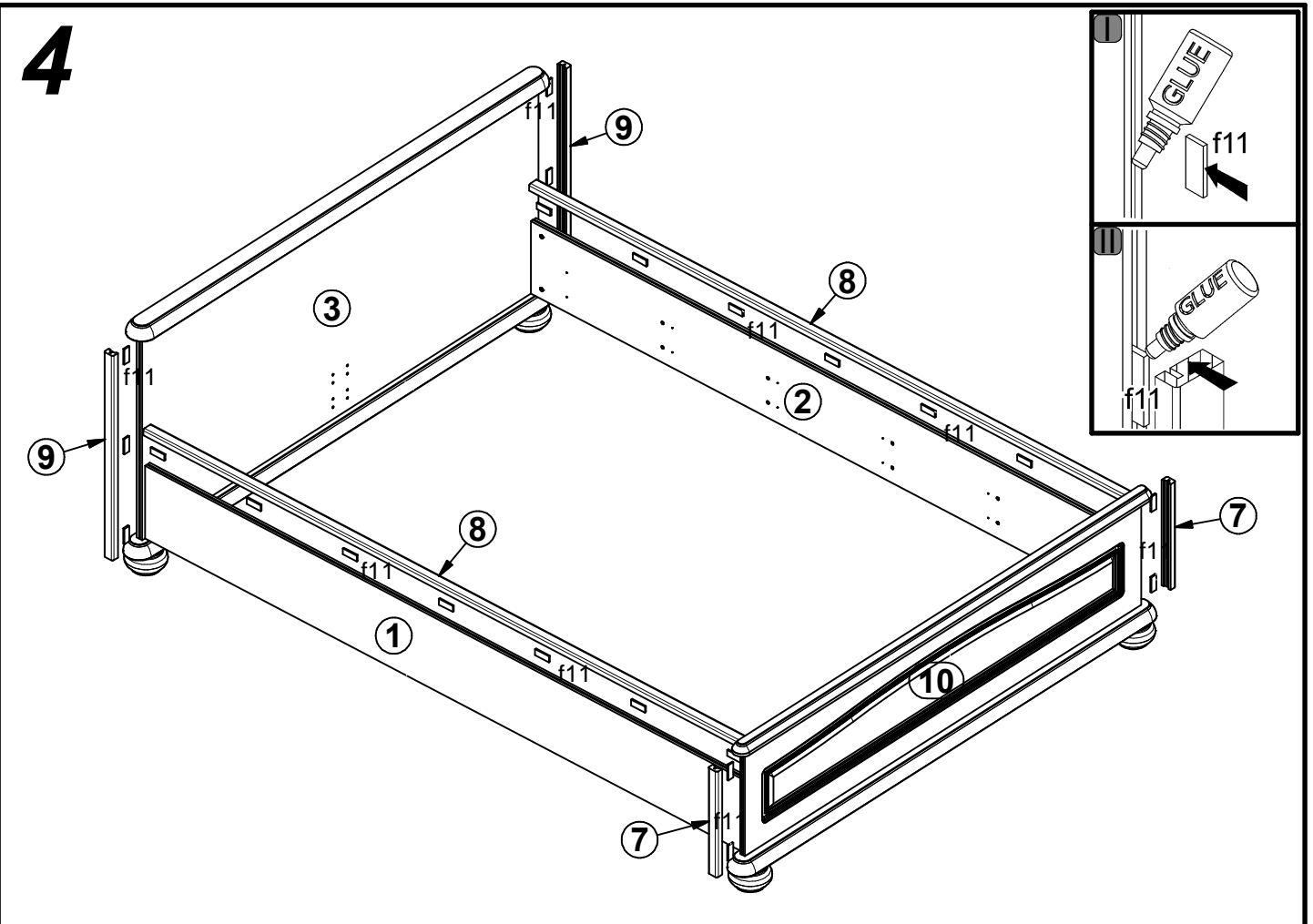
16x Ø6.3x13 mm e2	8x Ø6x13 mm e3	20x Ø8x30 mm f1	24x 46x18x4 mm f11
8x Ø8x20 mm f13	4x Ø10x40 mm f27	4x M6x65 mm j132	2x k24/1
6x Ø4x35 mm p6	12x Ø4x40 mm p10	6x Ø3.5x25 mm p16	2x k24/2
16x Ø15x12 mm #16 r1	4x Ø10x13 mm r5/1	16x 209 r16	4x Ø110x58/62 mm k47
2x k24/1	2x k24/2	2x n34/1	2x n34/2
2x n34/1	2x n34/2	2x 130x34x34/2 mm n63	2x y1/2
1x GLUE y1/2	1x z1		



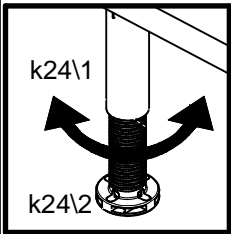
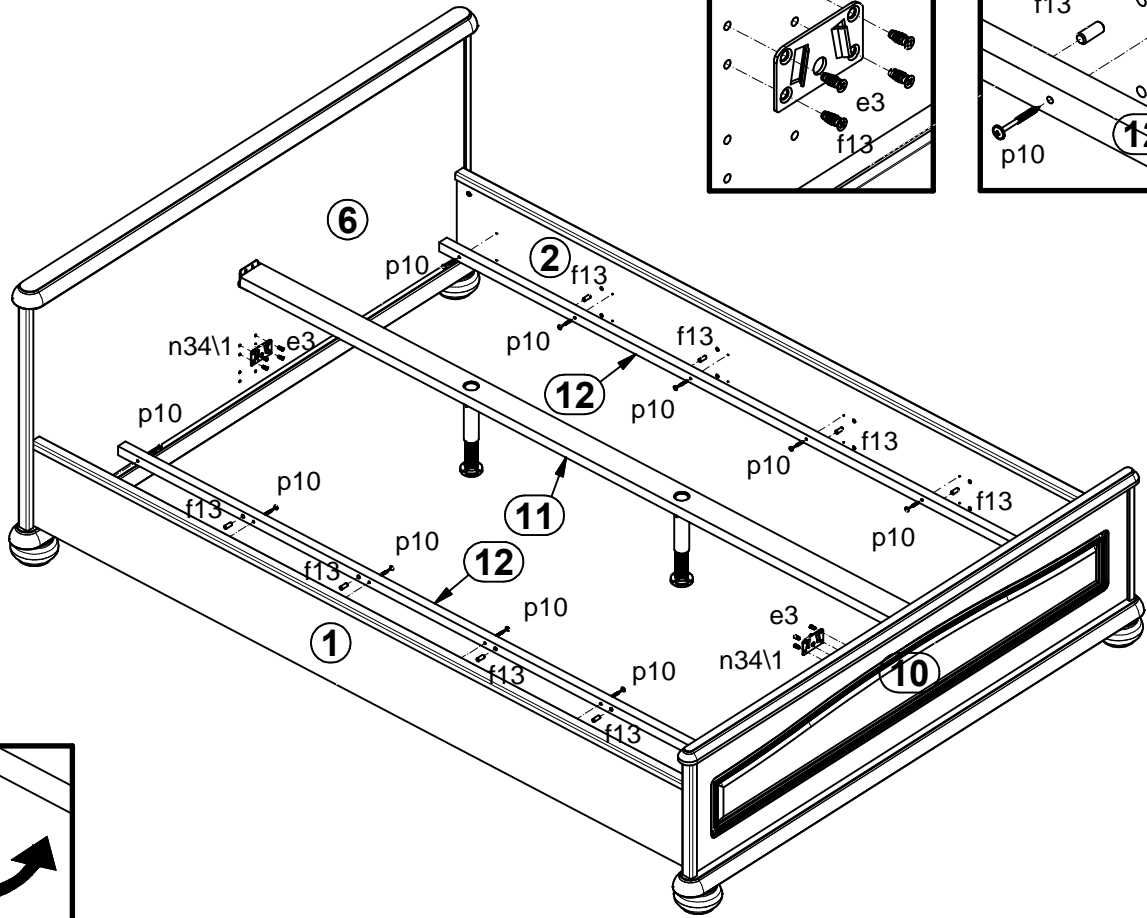
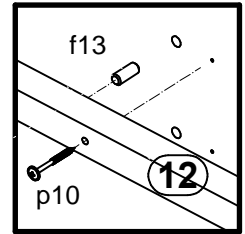
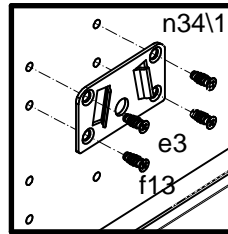
3



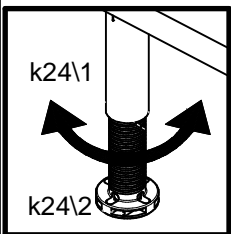
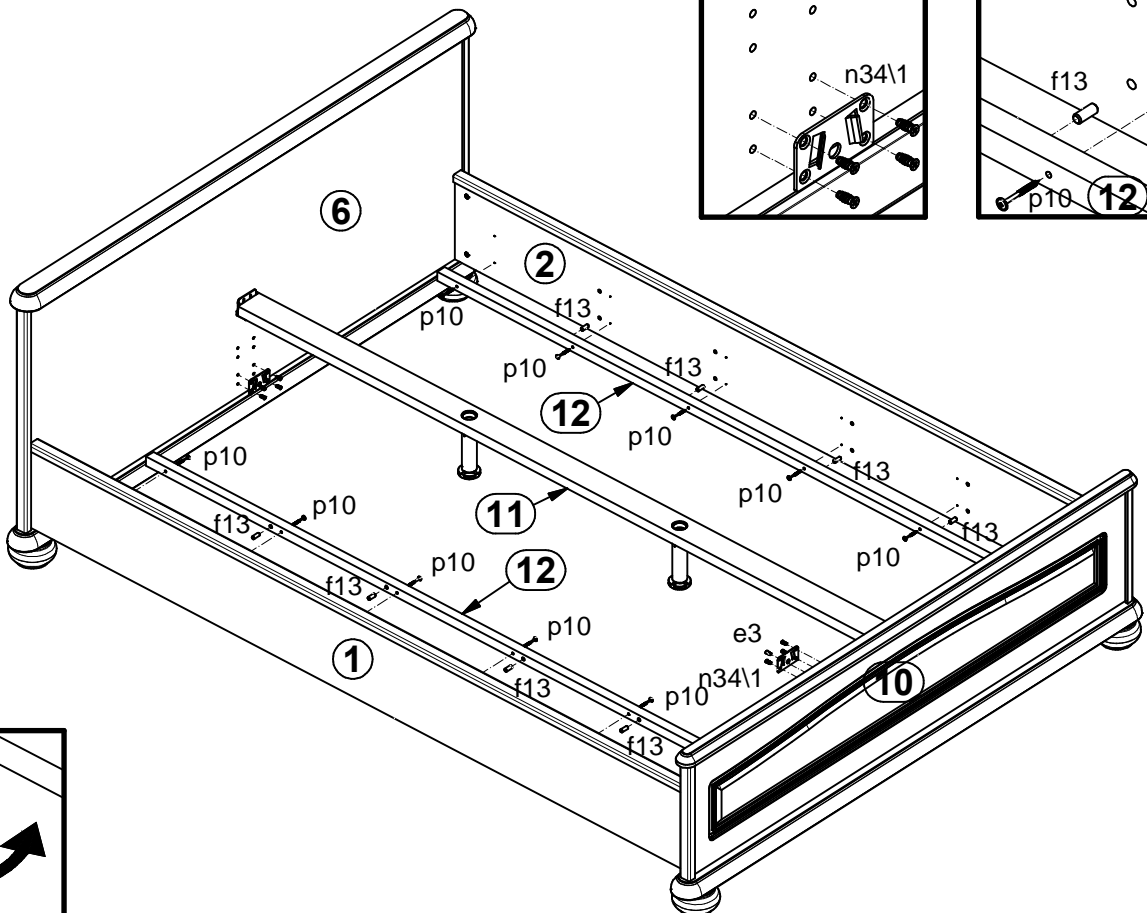
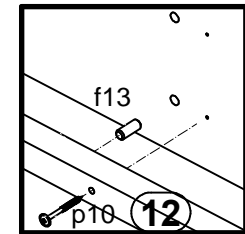
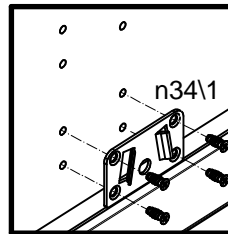
4



5A



5B



6

