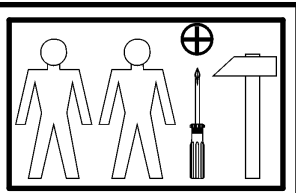
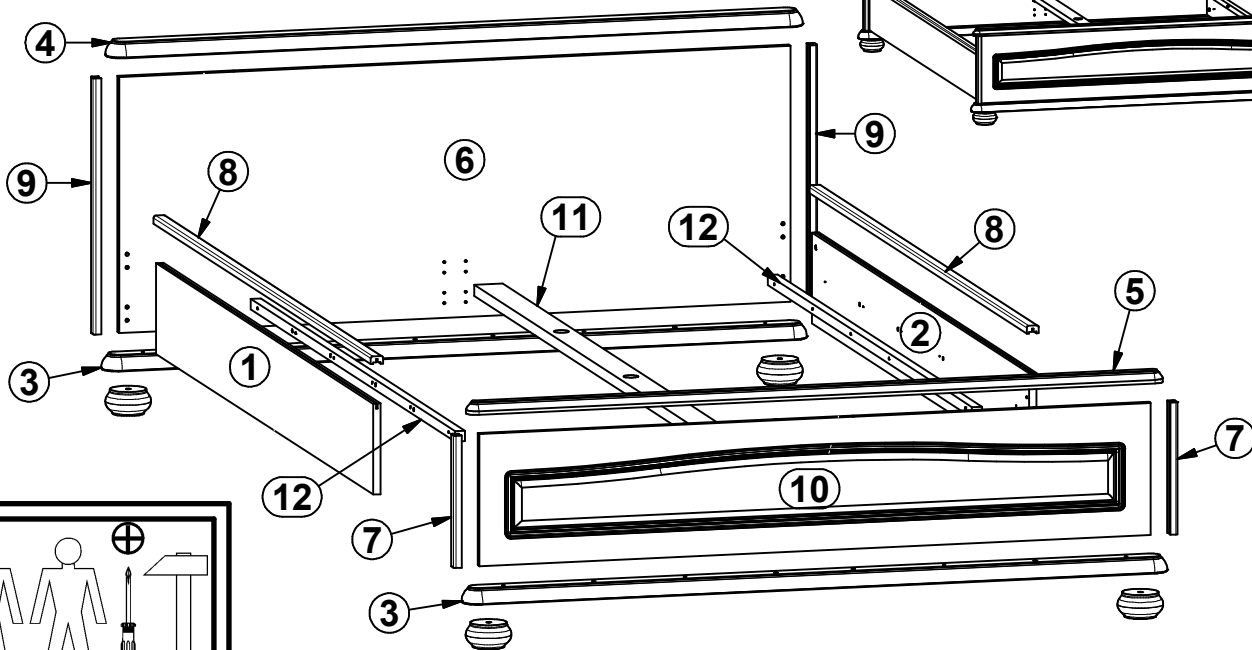
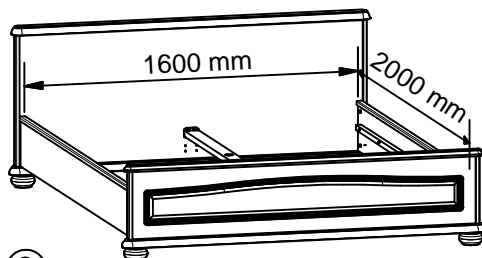


**A**

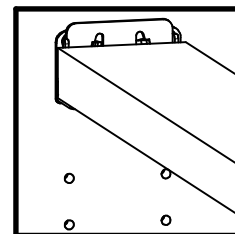
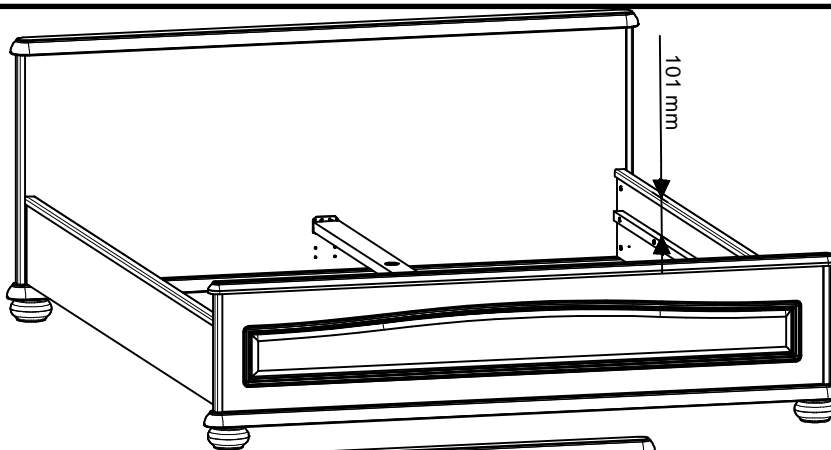
# Natalia III

**S41-LOZ/160**

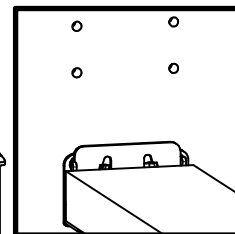
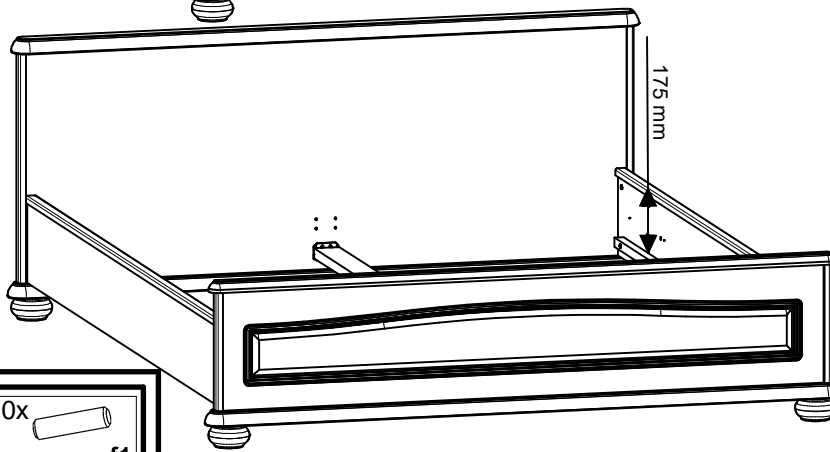
A	B	C	D	A	B	C	D
1	S41-161	2000	220	2/6	7	S41-5010	320
2	S41-162	2000	220,	2/6	8	S41-580	2000
3	S41-236	1738	80	1/6	9	S41-581	620
4	S41-237	1718	80	1/6	10	S41-7101	1656
5	S41-238	1718	50	1/6	11	ZZ1-745	1983
6	S41-417 A	1656	620	3/6	12	ZZ1-754	1880



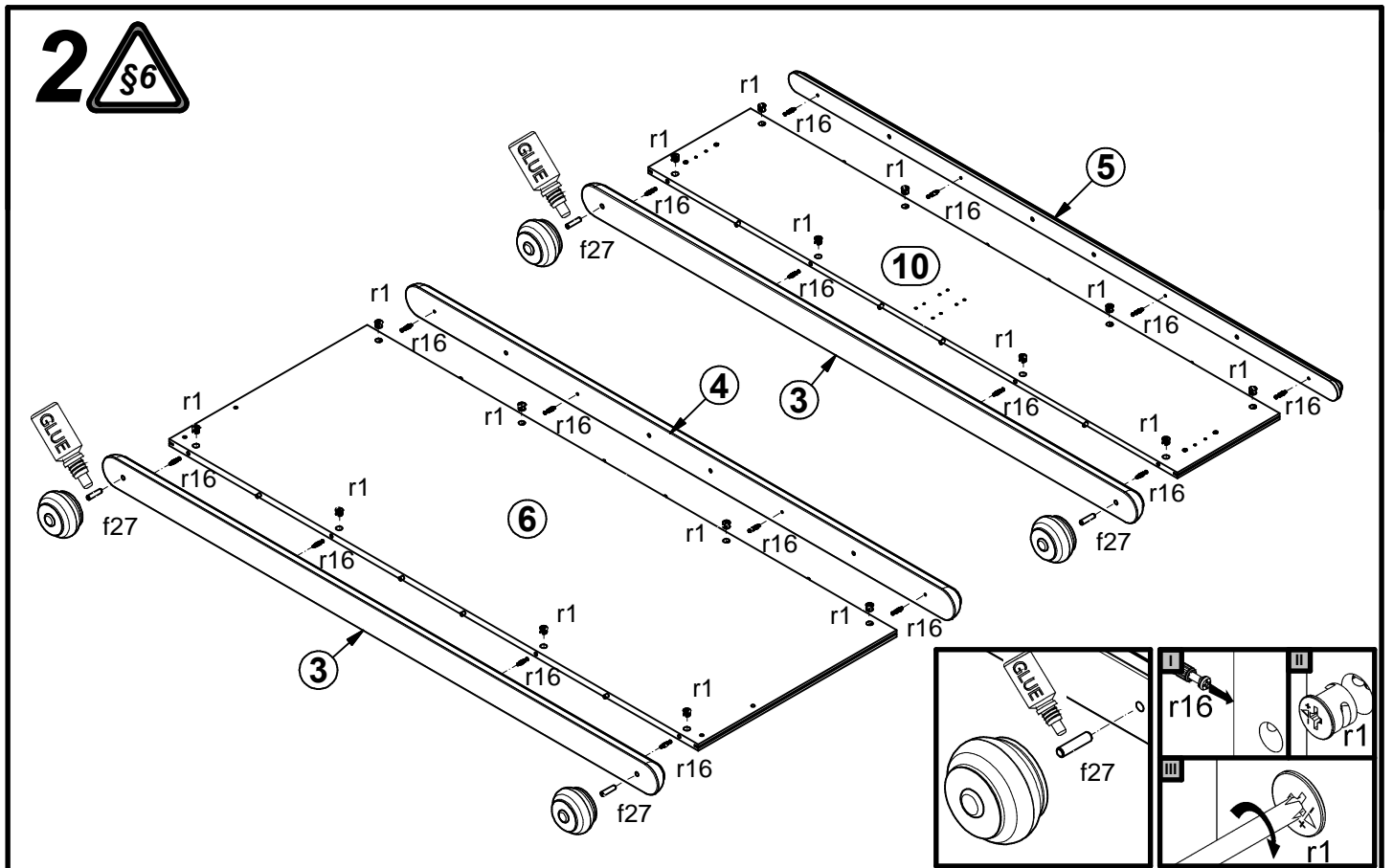
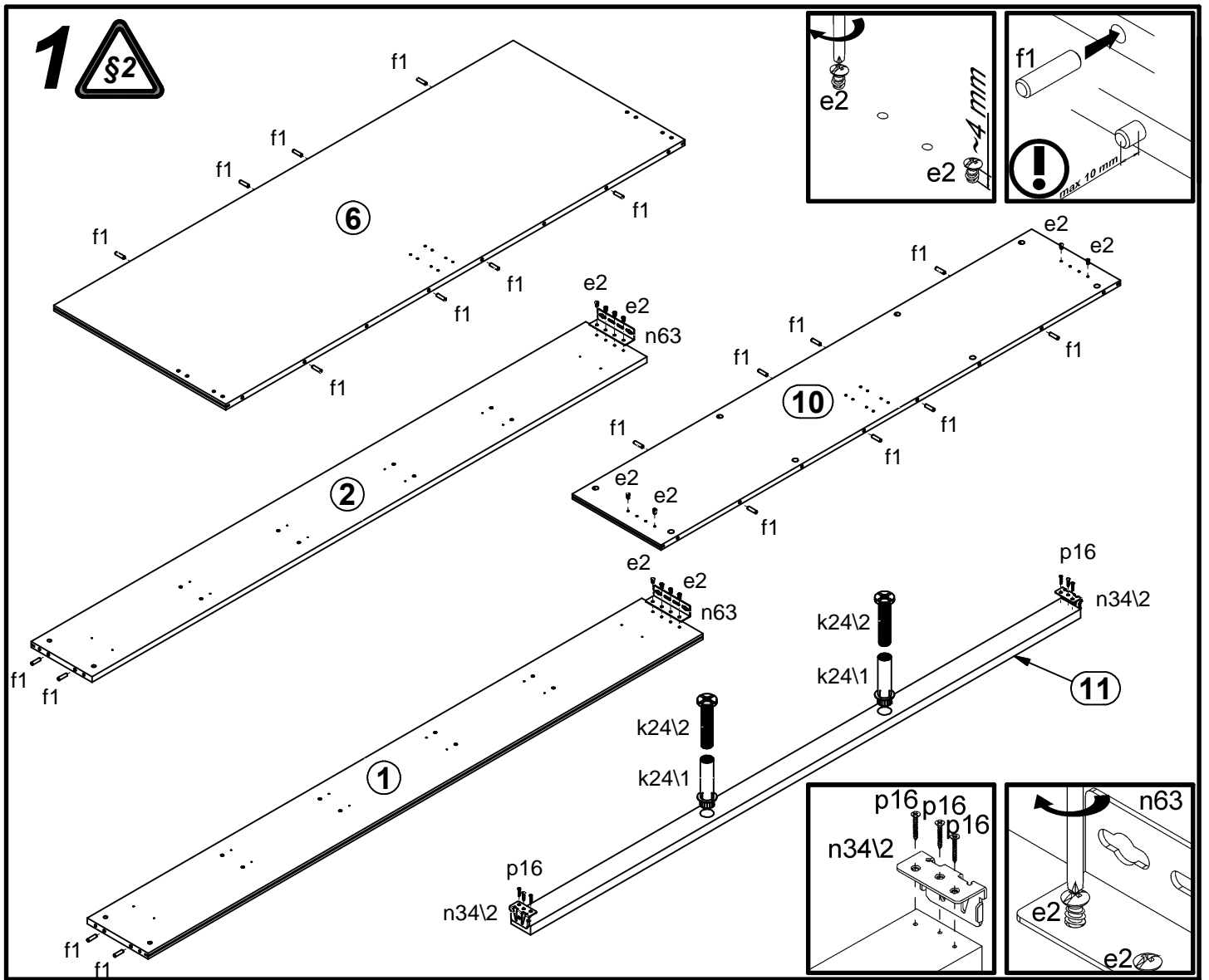
**A**

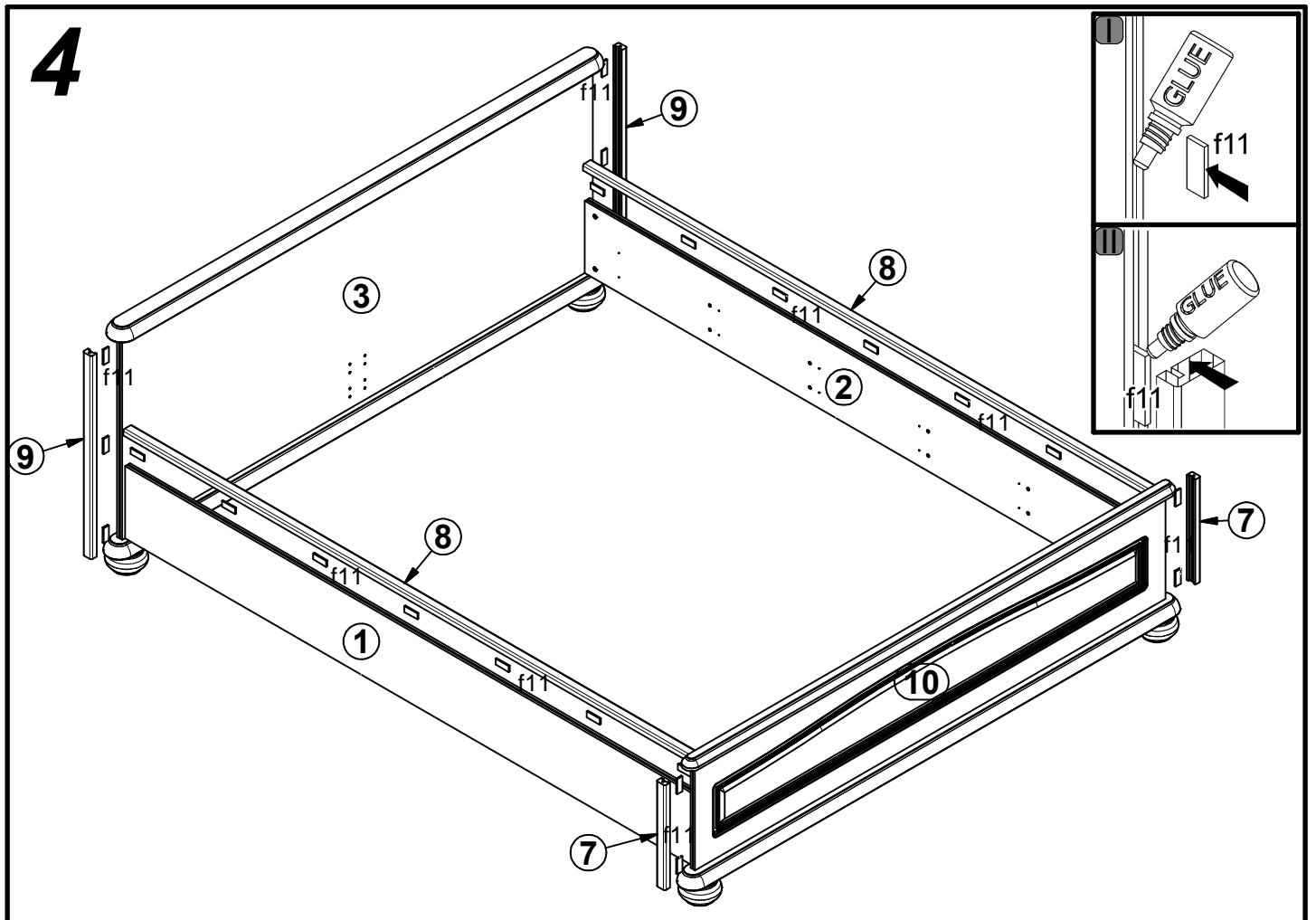
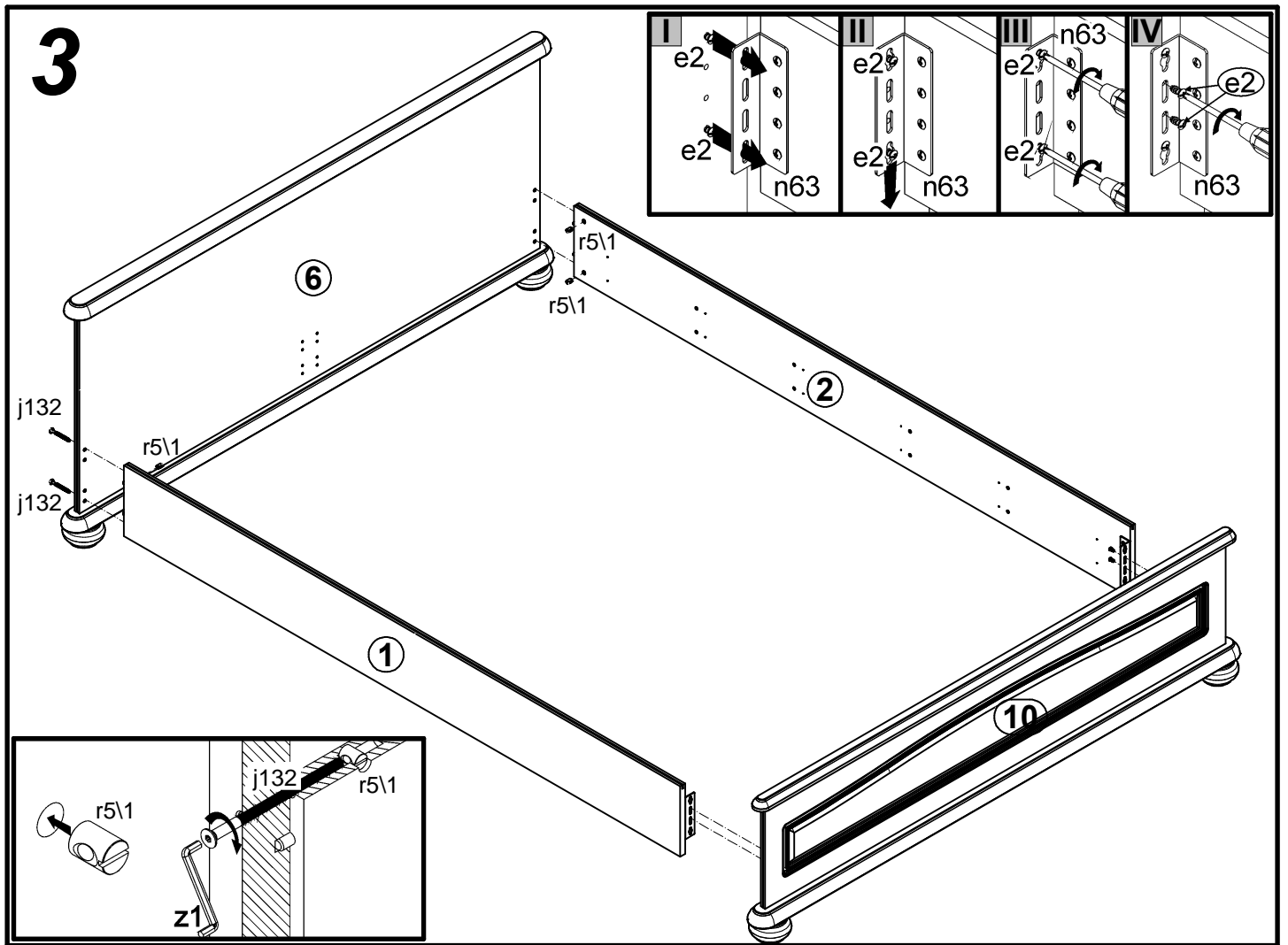


**B**

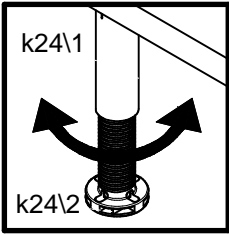
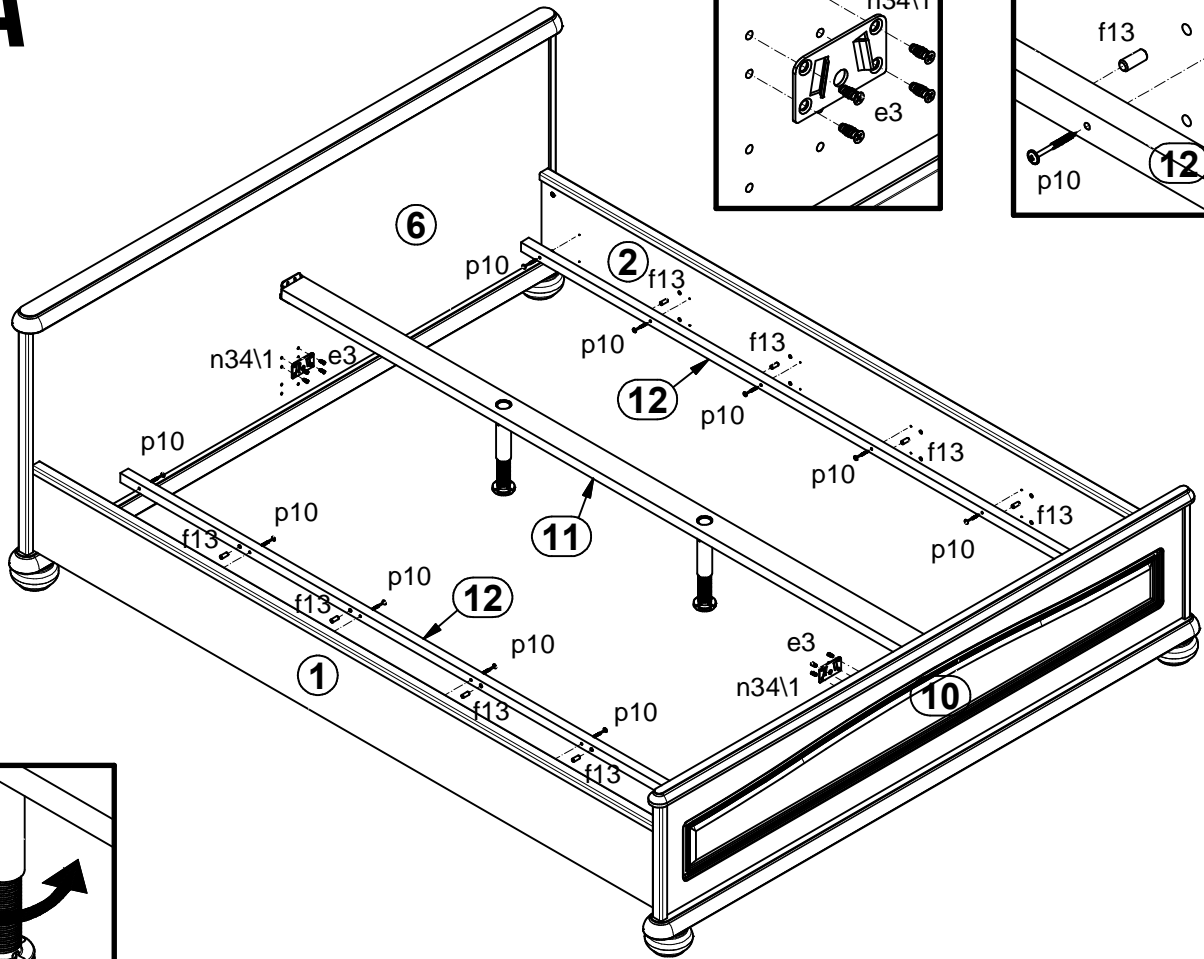
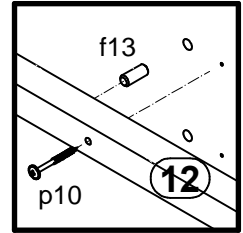
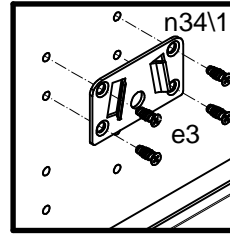


16x Ø6.3x13 mm e2	8x Ø6x13 mm e3	20x Ø8x30 mm f1	24x 46x184 mm f11
8x Ø8x20 mm f13	4x Ø10x40 mm f27	4x M6x65 mm j132	2x k24\1
6x Ø4x35 mm p6	12x Ø4x40 mm p10	6x Ø3.5x25 mm p16	2x k24\2
16x Ø15x12 mm #16 r1	4x Ø10x13 mm r5\1	16x 209 r16	4x Ø110x58\62 mm k47
			2x n34\1
			2x n34\2
			2x 130x34x34\2 mm n63
			1x GLUE y1\2
			1x z1

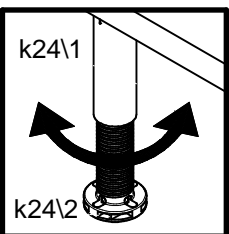
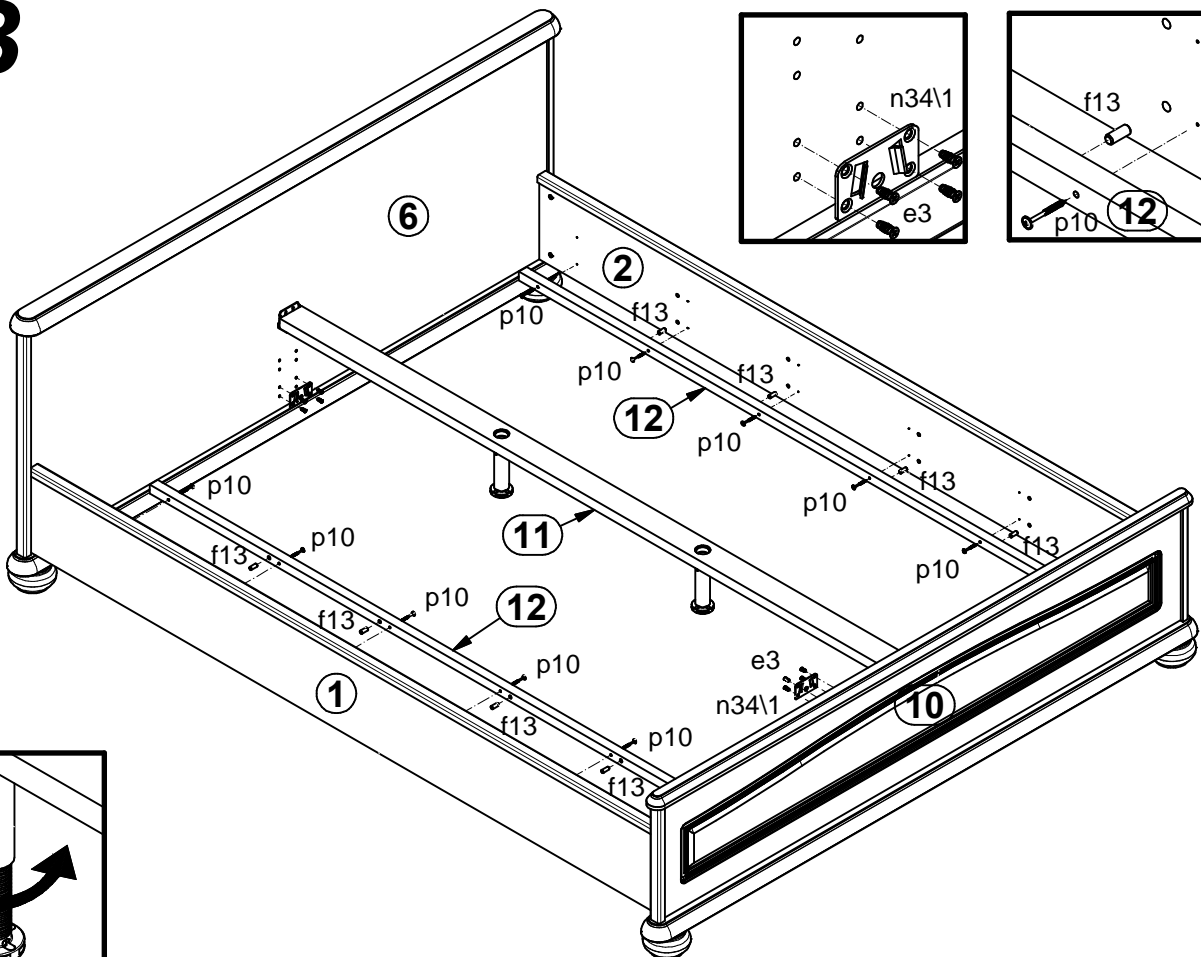
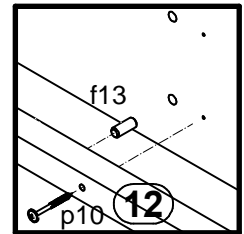
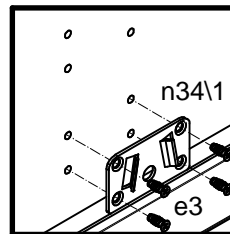




# 5A



# 5B



# 6

