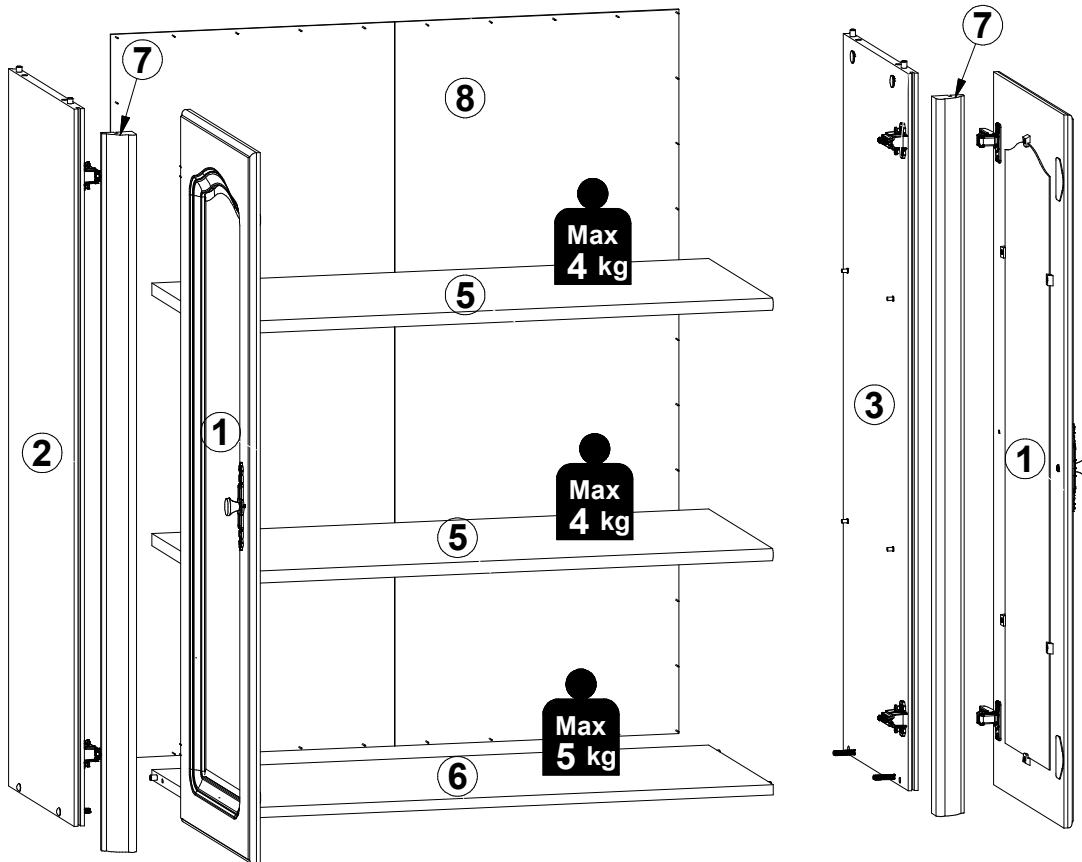
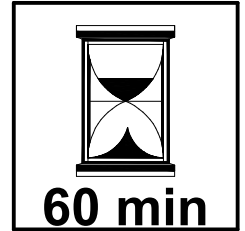
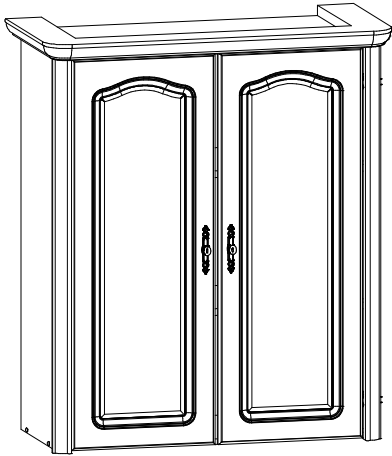


A	B	C1	C2	C3	D
1	S41-0018	1054	396	19	3/5
2	S41-1027	1060	369,	15	1/5
3	S41-1028	1060	369,	15	1/5
4	S41-2017	957	446	47	2/5
5	S41-3001	839	364,	18	1/5
6	S41-3013	839	364,	15	1/5
7	S41-5006	1060	47	32	4/5
8	S41-9308	1070,	857,	2,5	1/5



4x a172	4x b85	4x r42	2x d4	4x r1	8x d1	4x e1	1x y1	4x s2
4x s1	8x f1	6x f11	8x p51	2x j8	2x c69	40x l1	2x n52	6x p25
1x z1	4x s71				1x p17	1x n14/2	1x f35	2x p38

