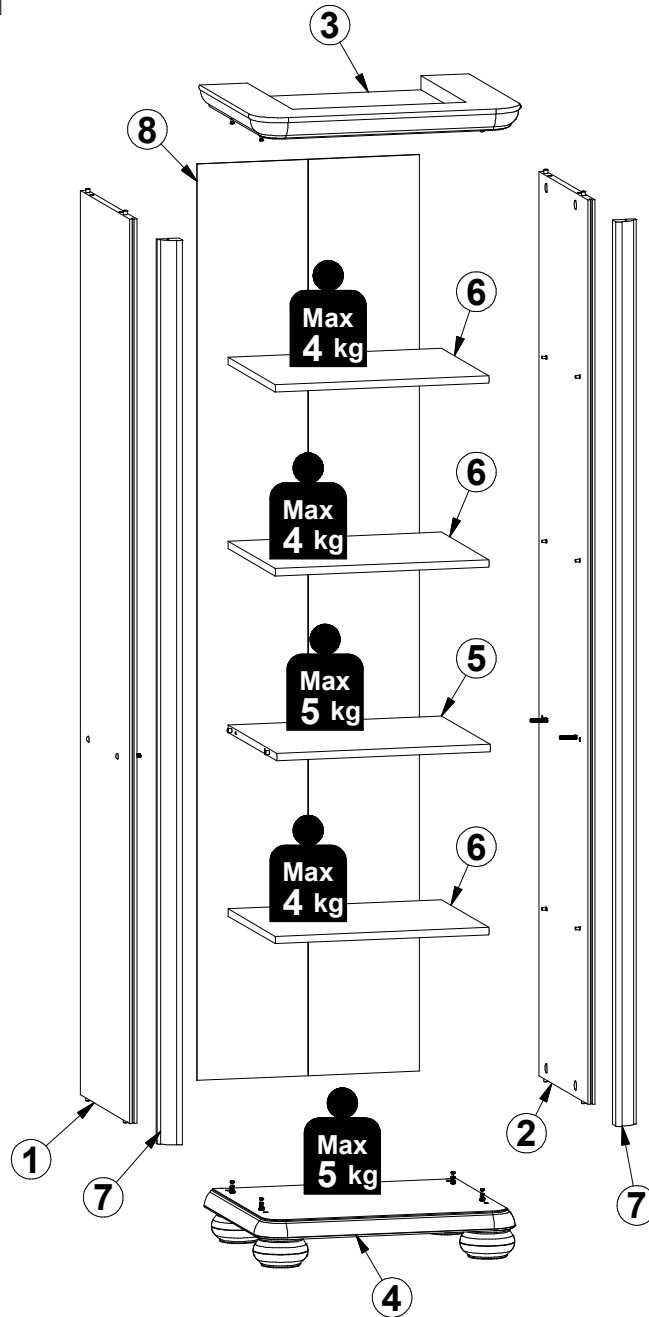
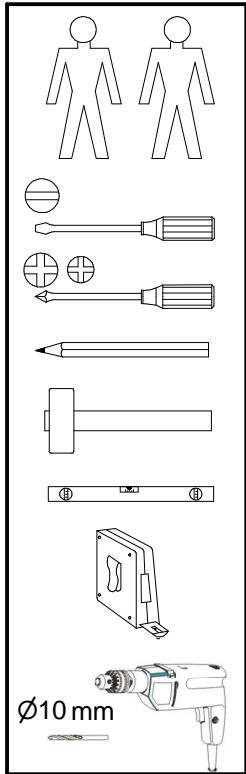
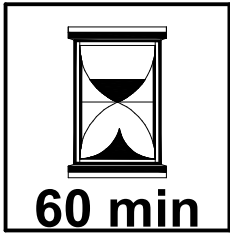
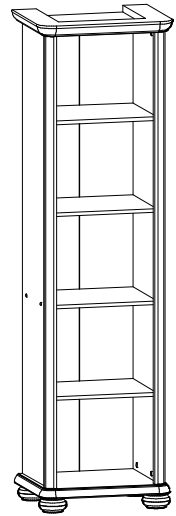


A

NATALIA

S41-REG60

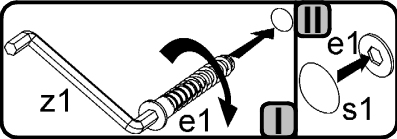
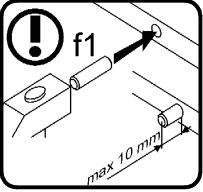
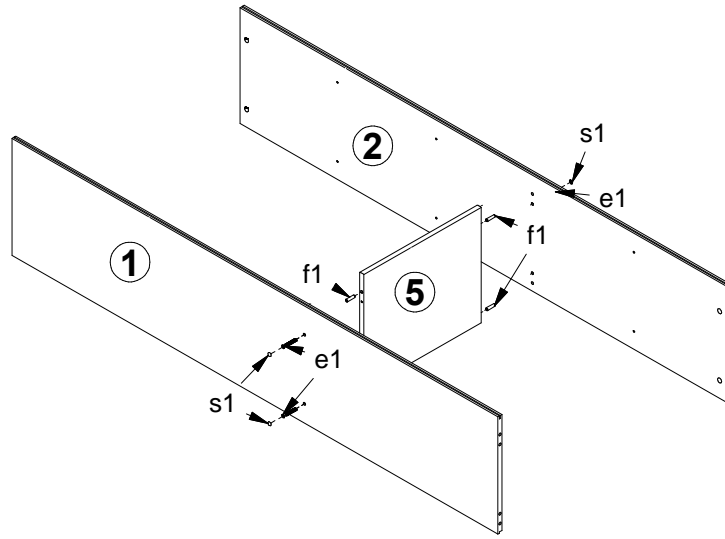
A	B	C1	C2	C3	D
1	S41-1035	1820	379,	15	1/4
2	S41-1036	1820	379,	15	1/4
3	S41-2021	557	446	47	2/4
4	S41-2022	535	436	38	2/4
5	S41-3019	439,	375	15	1/4
6	S41-3020	439,	364,	15	1/4
7	S41-5007	1820	47	32	3/4
8	S41-9311	1844,	457,	2,5	1/4



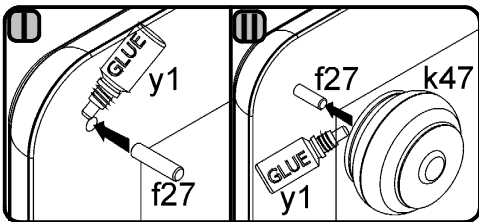
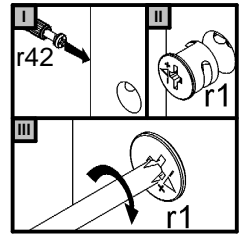
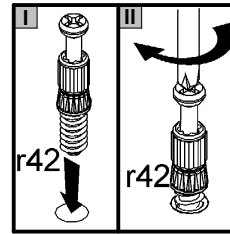
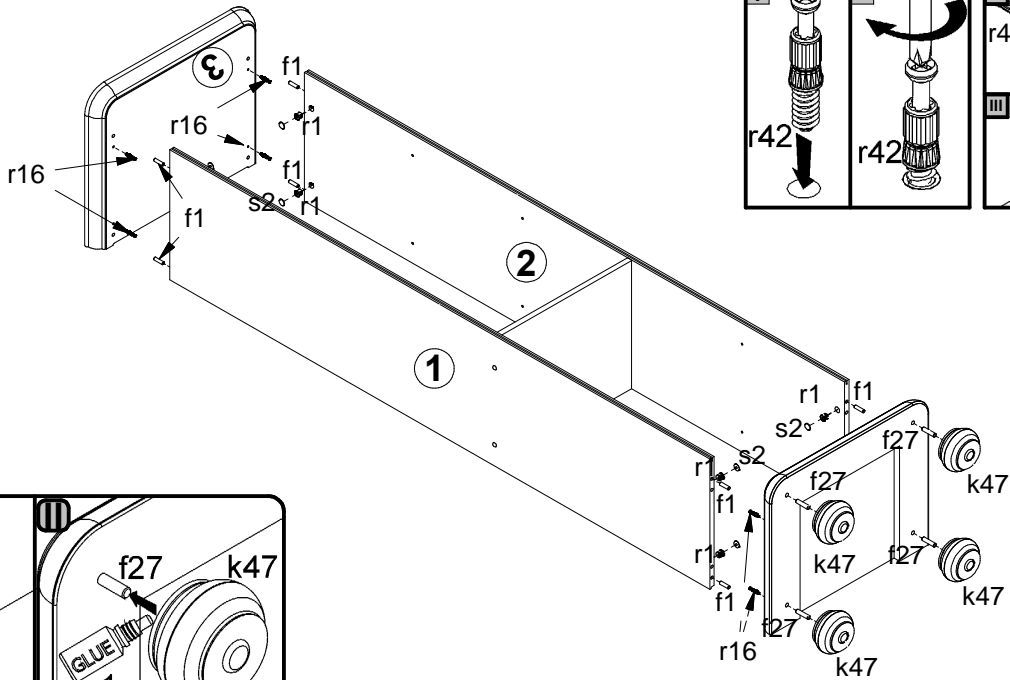
12x $\phi 5 \times 17$ mm d1	4x $\phi 7 \times 50$ mm e1	12x $\phi 8 \times 30$ mm f1	12x $46 \times 18 \times 4$ mm f11	4x $\phi 10 \times 40$ mm f27	4x $\phi 110 \times 58 / 62$ mm k47	60x l1	8x $\phi 15 \times 12$ mm #16 r1	8x r42
4x s1	8x $\phi 16$ s2	1x z1	1x y1/2					
				1x $\phi 10 \times 50$ mm f35	1x $86 \times 21 \times 15 / 1,5$ n14/2	1x $\phi 5 \times 60$ mm p17	2x $\phi 3,5 \times 16$ mm p38	



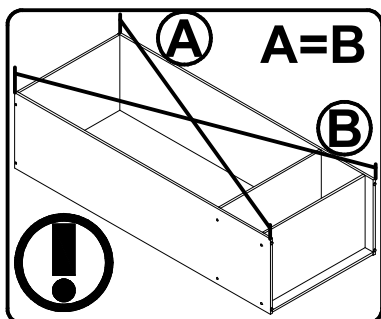
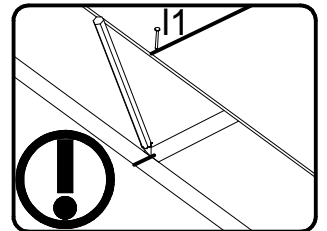
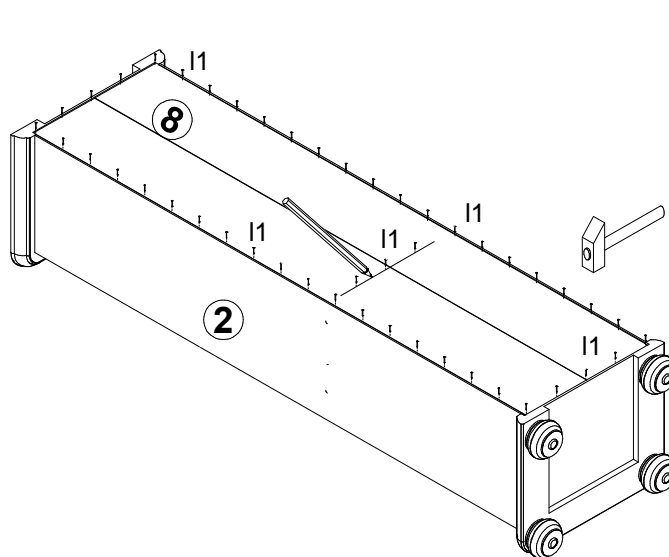
1



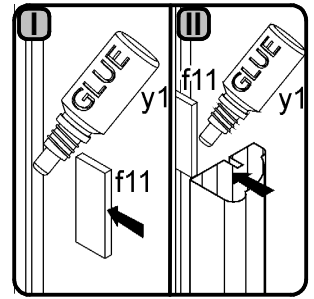
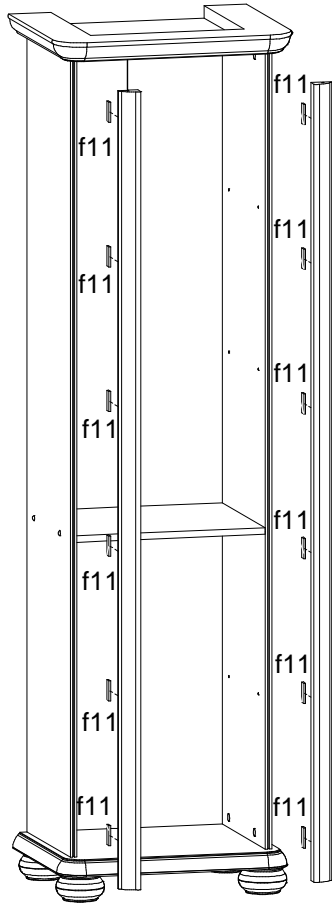
2



3



4 Regal 60



5 Regal 60

