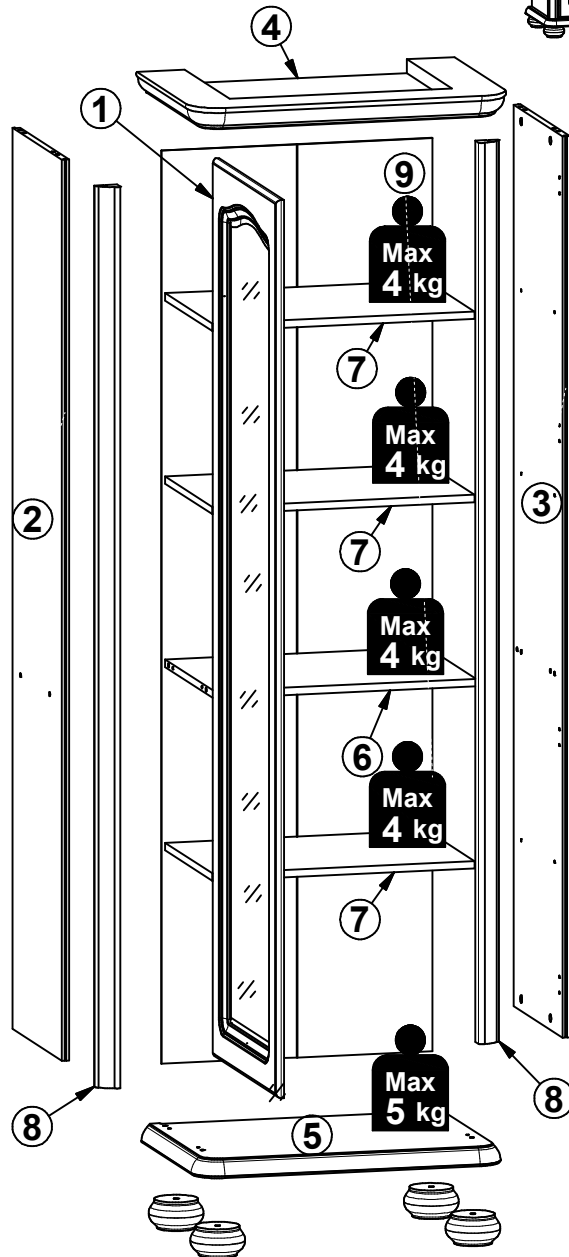
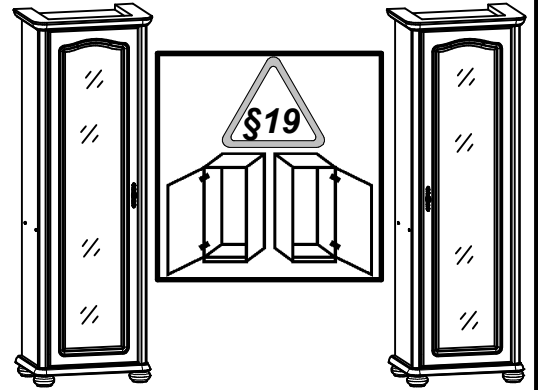
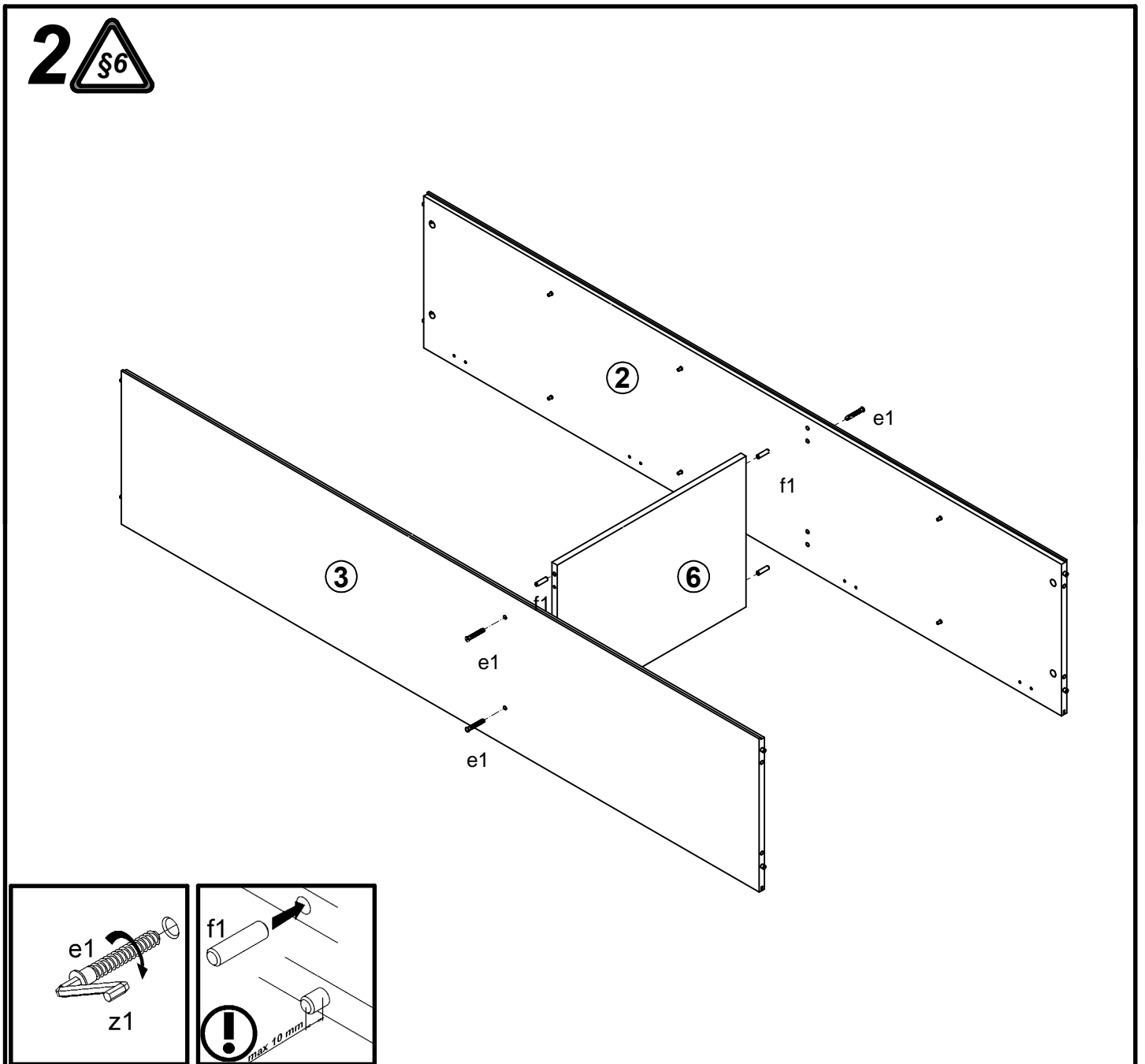
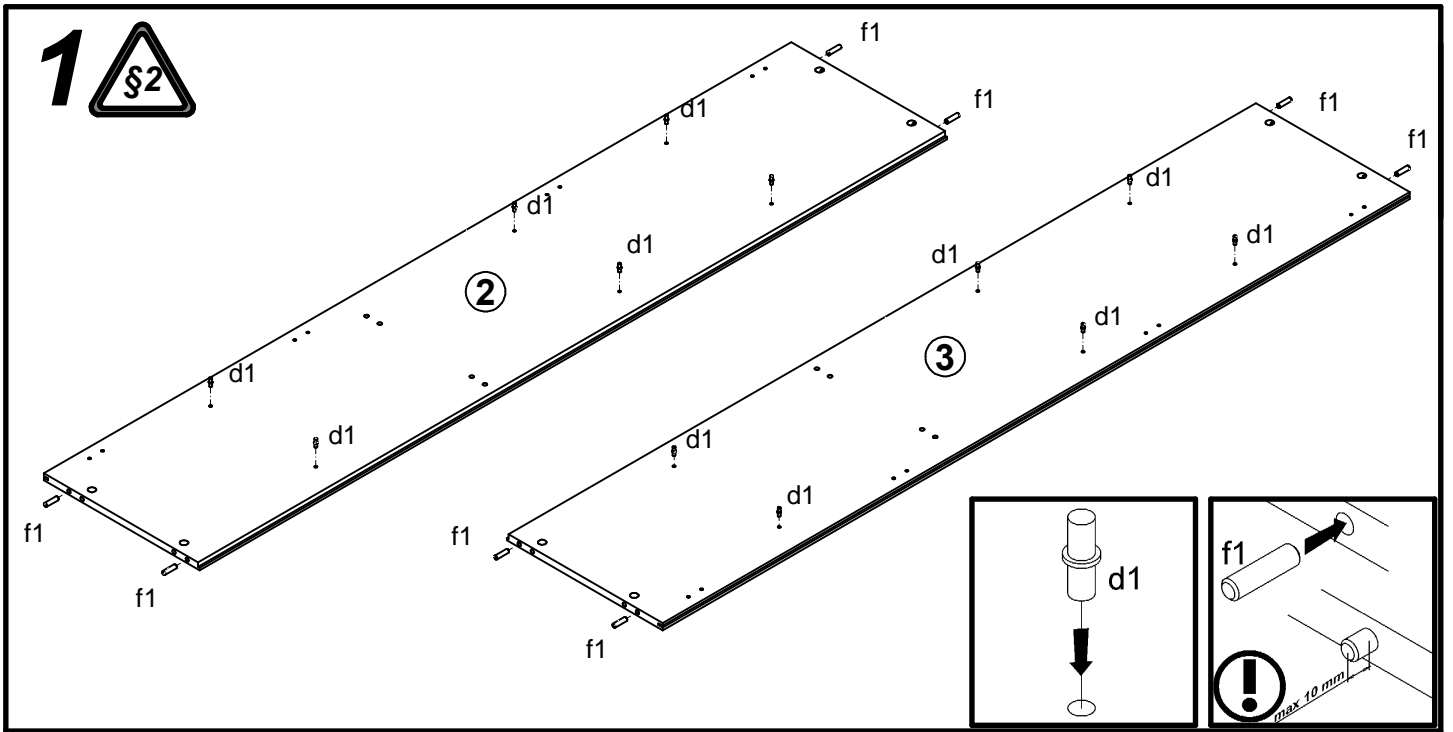


A**NATALIA****S41-WIT/70/LP**

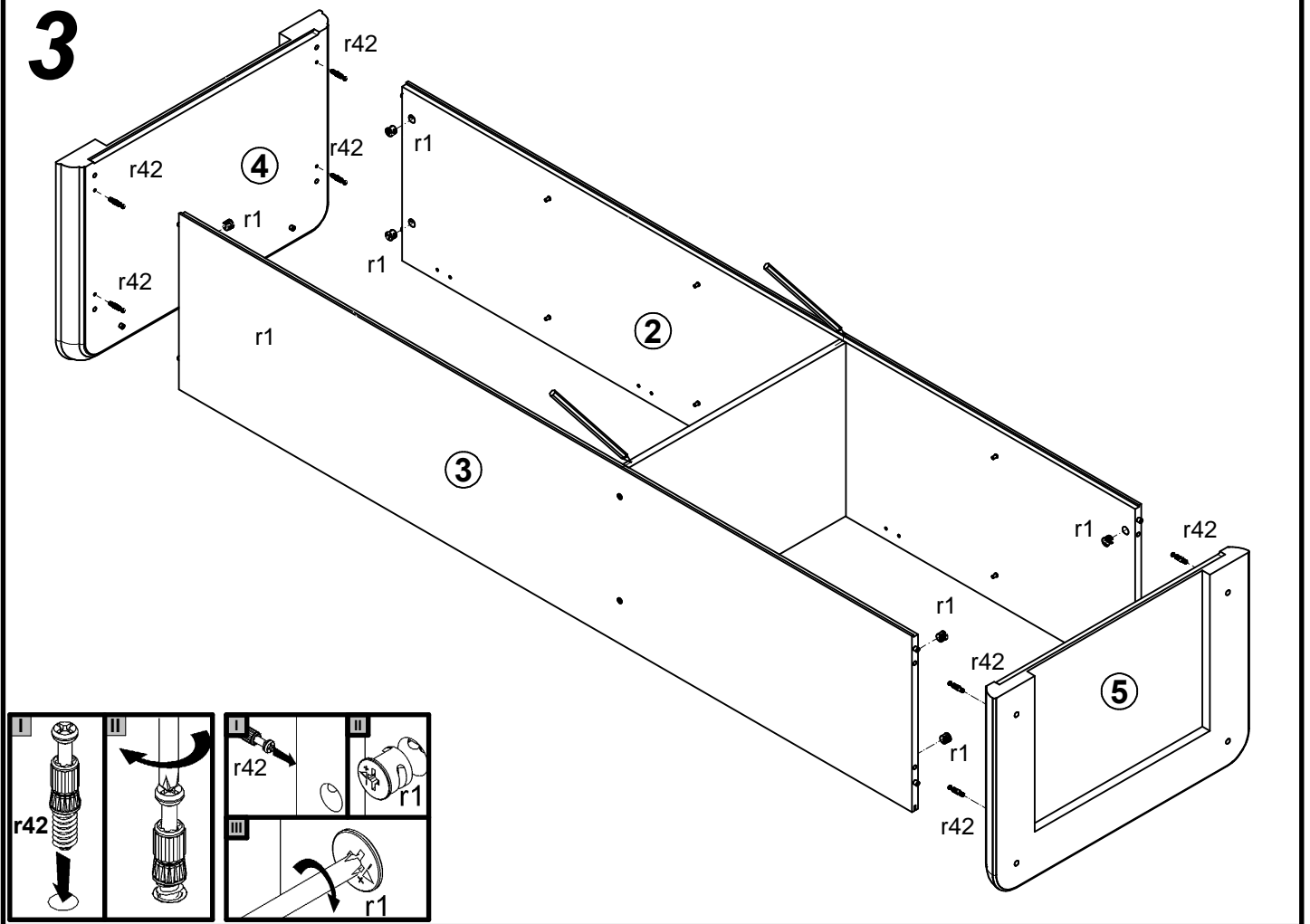
A	B	C1	C2	C3	D
1	S41-0020	1814	496	19	3/5
2	S41-1033	1820	379,	15	1/5
3	S41-1034	1820	379,	15	1/5
4	S41-2019	657	446	47	2/5
5	S41-2020	635	436	38	2/5
6	S41-3017	539	375	15	1/5
7	S41-3018	539	364,	15	1/5
8	S41-5007	1820	47	32	4/5
9	S41-9312	1844,	557,	2,5	1/5



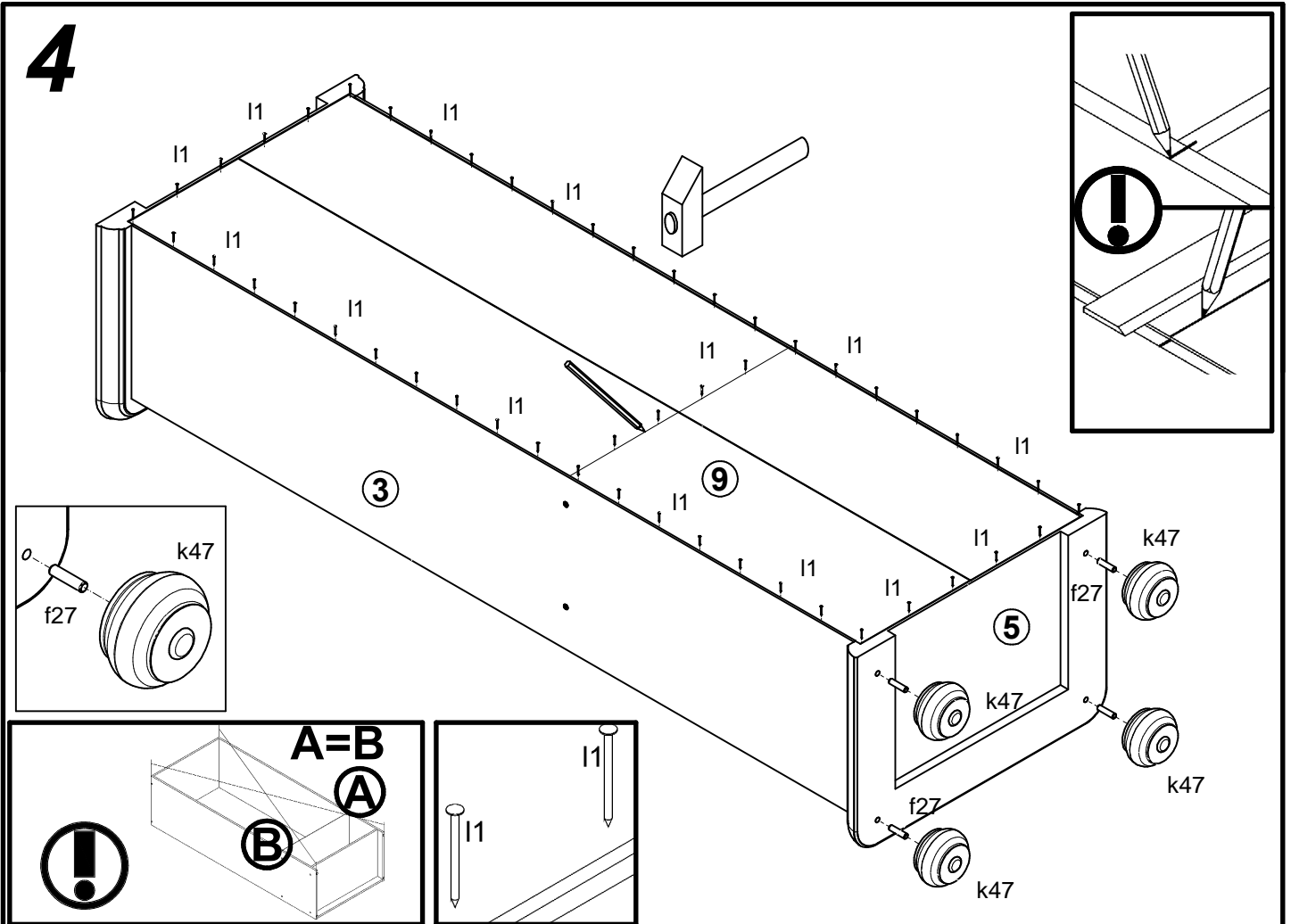
4x a172	4x b85	1x c69	12x d1 Ø5x17 mm	1x d4 Ø6.3x15 mm	4x e1 Ø7x50 mm	4x s71 Ø35x62x40x10	12x f1 Ø8x30 mm	12x f11 46x18/4 mm
4x f27 Ø10x40 mm	1x j8 M4x25 mm	4x k47 Ø110x58/62 mm	60x l1	8x p51 Ø3.5x15 mm	8x r1 Ø15x12 mm #16	8x r42	1x y1/1 GLUE	1x z1
8x s2 Ø16	4x s1							
				1x f35 Ø10x50 mm	1x n14/2 86x21x15/1.5	1x p17 Ø5x60 mm	2x p38 Ø3.5x16 mm	



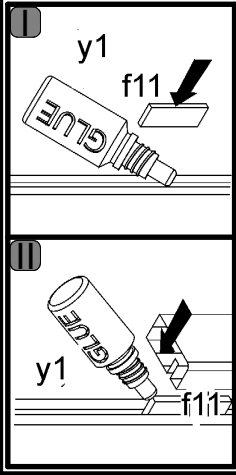
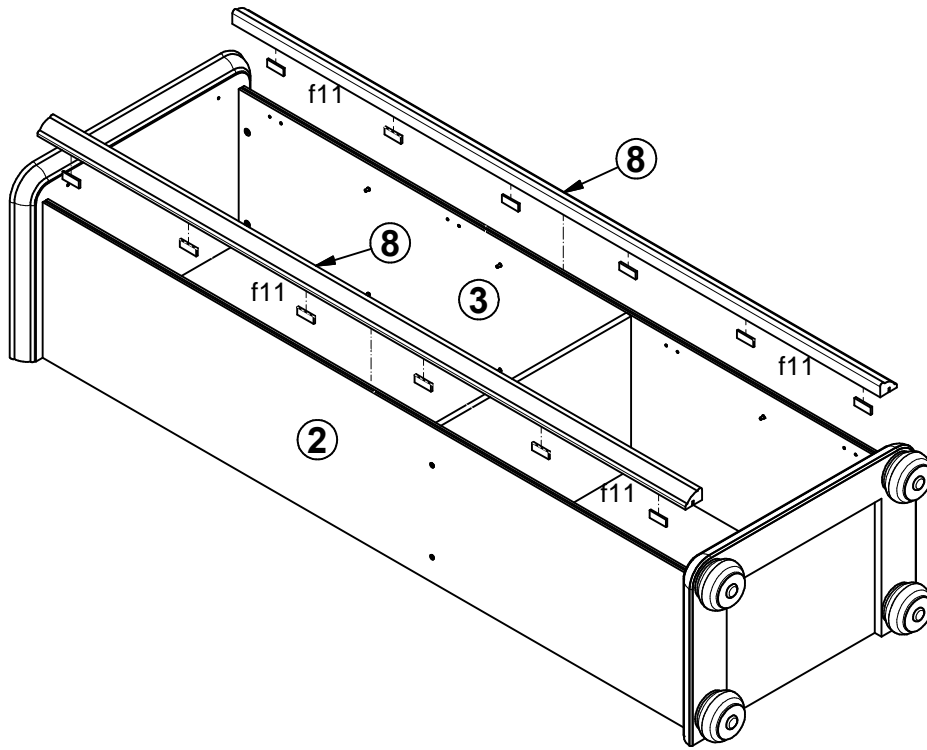
3



4



5



6

