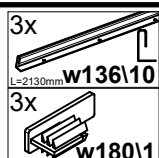
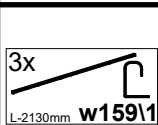
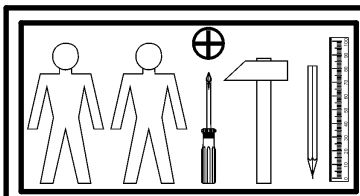
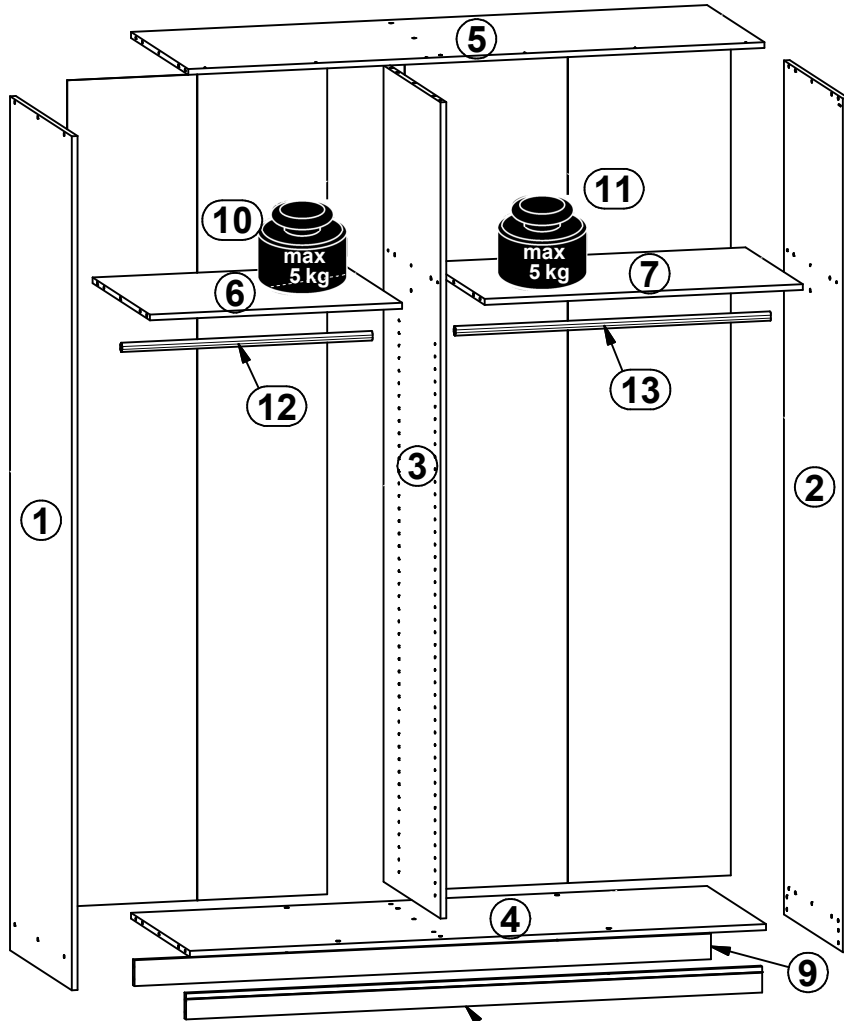
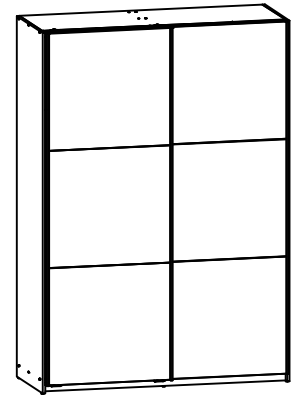


A

COLIN

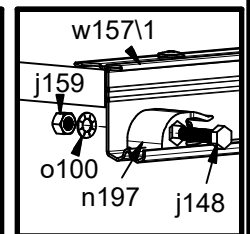
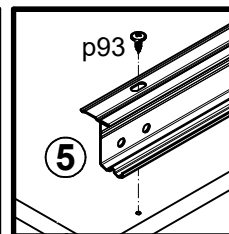
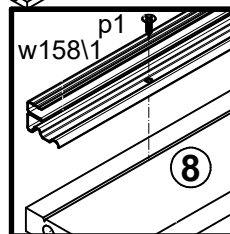
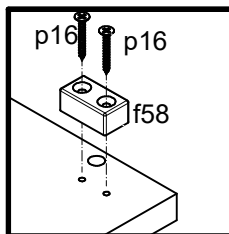
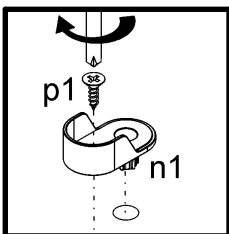
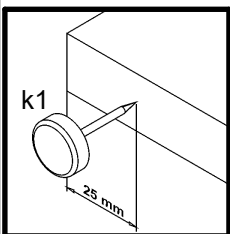
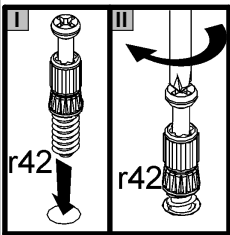
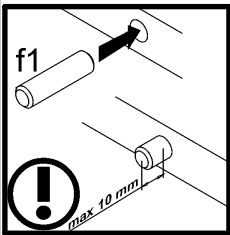
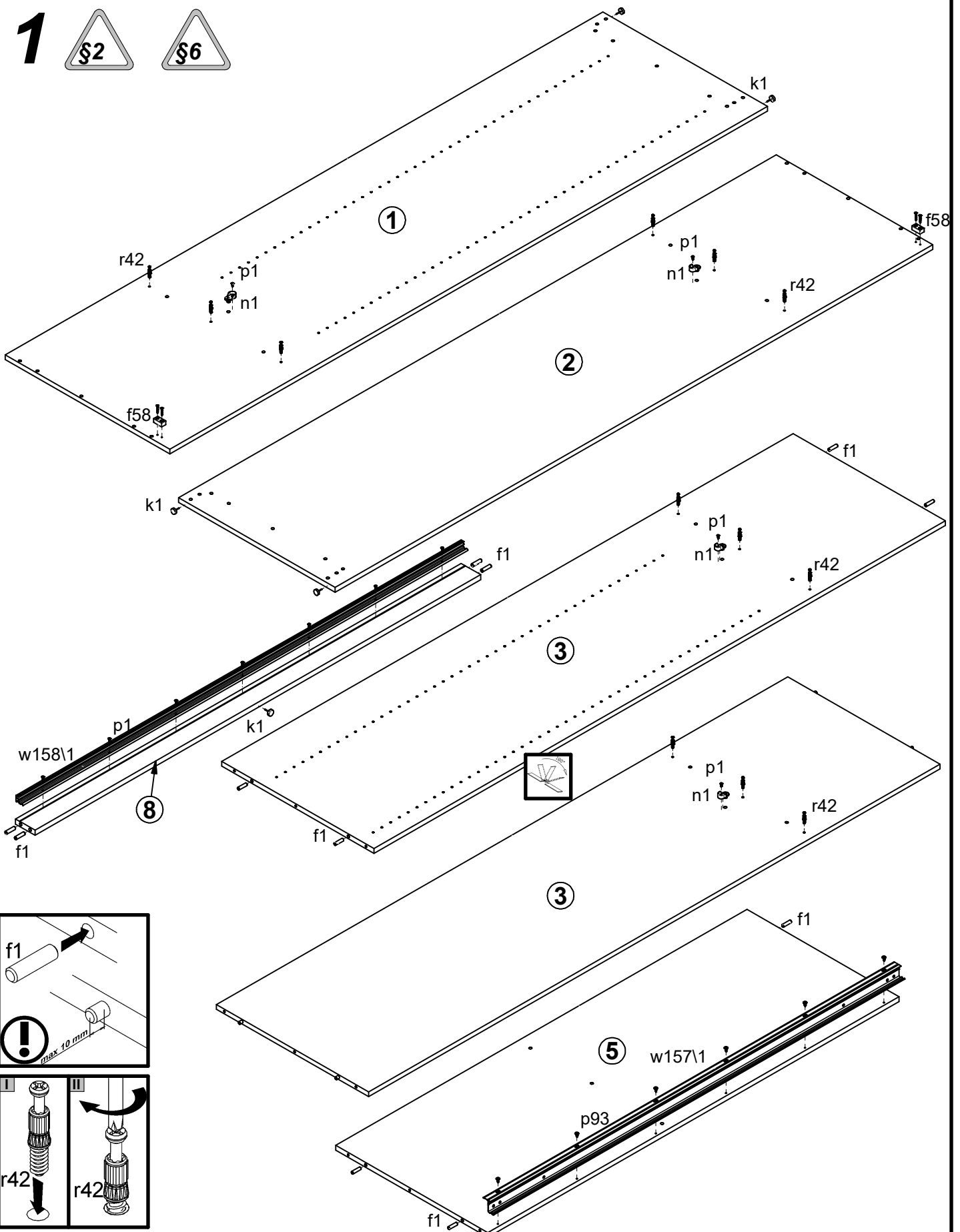
F24-SZF/153

| A | B | C | D | A | B | C | D | | |
|---|---------|------|-----|-----|----|---------|------|-----|-----|
| 1 | F24-101 | 2180 | 600 | 1/3 | 9 | F24-402 | 1500 | 66 | 1/3 |
| 2 | F24-102 | 2180 | 571 | 1/3 | 10 | F24-901 | 2109 | 677 | 1/3 |
| 3 | F24-103 | 2084 | 555 | 1/3 | 11 | F24-902 | 2109 | 849 | 1/3 |
| 4 | F24-301 | 1500 | 571 | 2/3 | 12 | dr-652 | 652 | 22 | 2/3 |
| 5 | F24-302 | 1500 | 555 | 2/3 | 13 | dr-821 | 821 | 22 | 2/3 |
| 6 | F24-303 | 657 | 555 | 2/3 | | | | | |
| 7 | F24-304 | 828 | 555 | 2/3 | | | | | |
| 8 | F24-401 | 1500 | 66 | 1/3 | | | | | |

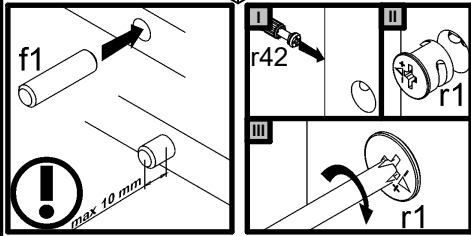
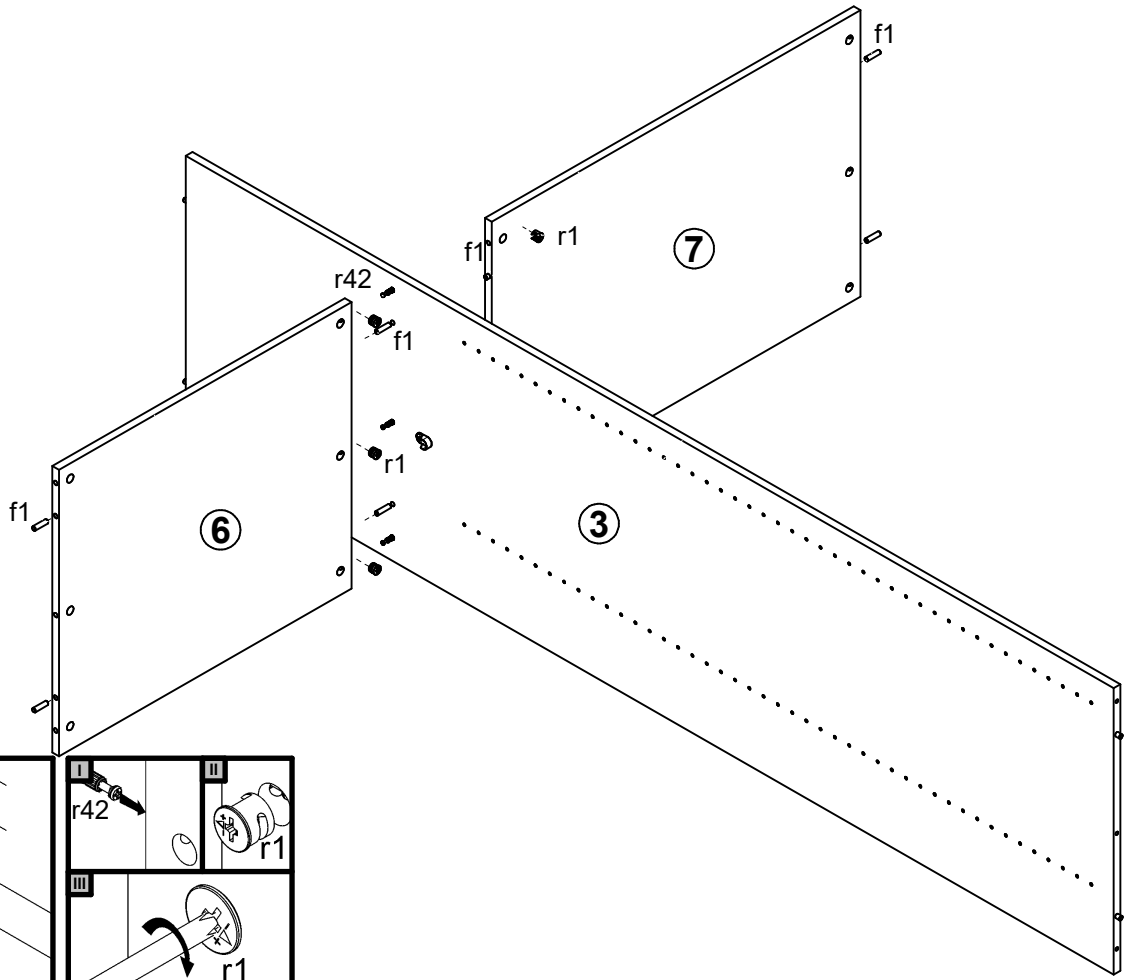


| | | | | | | | | |
|--------------------------|--------------------------|------------------------|---------------------------|------------------------|------------------|------------------|--------------------------|--------------------------|
| 22x φ7x50 mm e1 | 24x φ5,5x13 mm e13 | 28x φ8x30 mm f1 | 2x f58 | 2x M5x20 mm j148 | 2x M5 j159 | 6x k1 | 130x l1 | 4x n1 |
| 3x n140\3 | 4x n148 | 2x n194 | 2x n195 | 1x n196 | 2x n197 | 2x n198 | 2x n199 | 2x φ5xφ10 o100 |
| 12x φ3,5x13 mm p1 | 4x φ3,5x25 mm p16 | 78x φ4x13 mm p93 | 12x φ15x12mm #16 r1 | 12x r42 | 16x s1 | 12x φ16 s2 | 1x L=1498mm w157\1 | 1x L=1498mm w158\1 |
| 1x L=2130mm w159\2 | 1x z1 | | | | | | | |

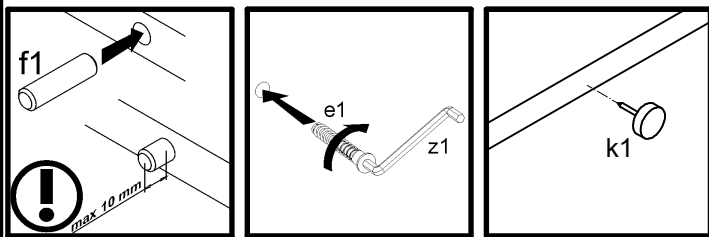
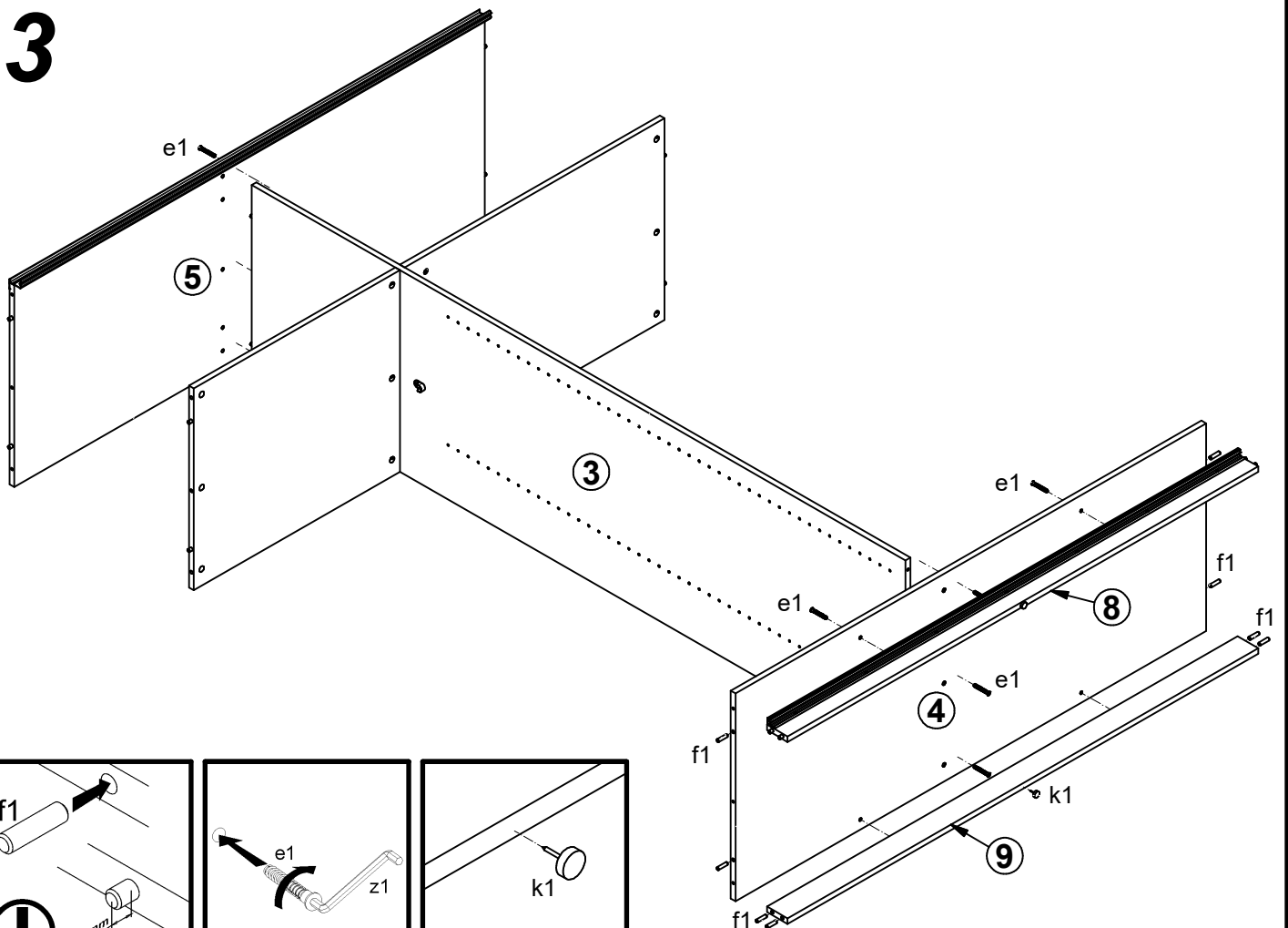
1



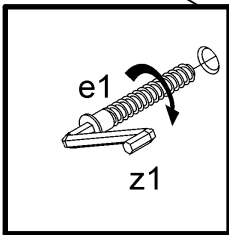
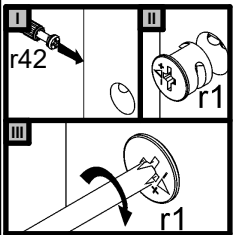
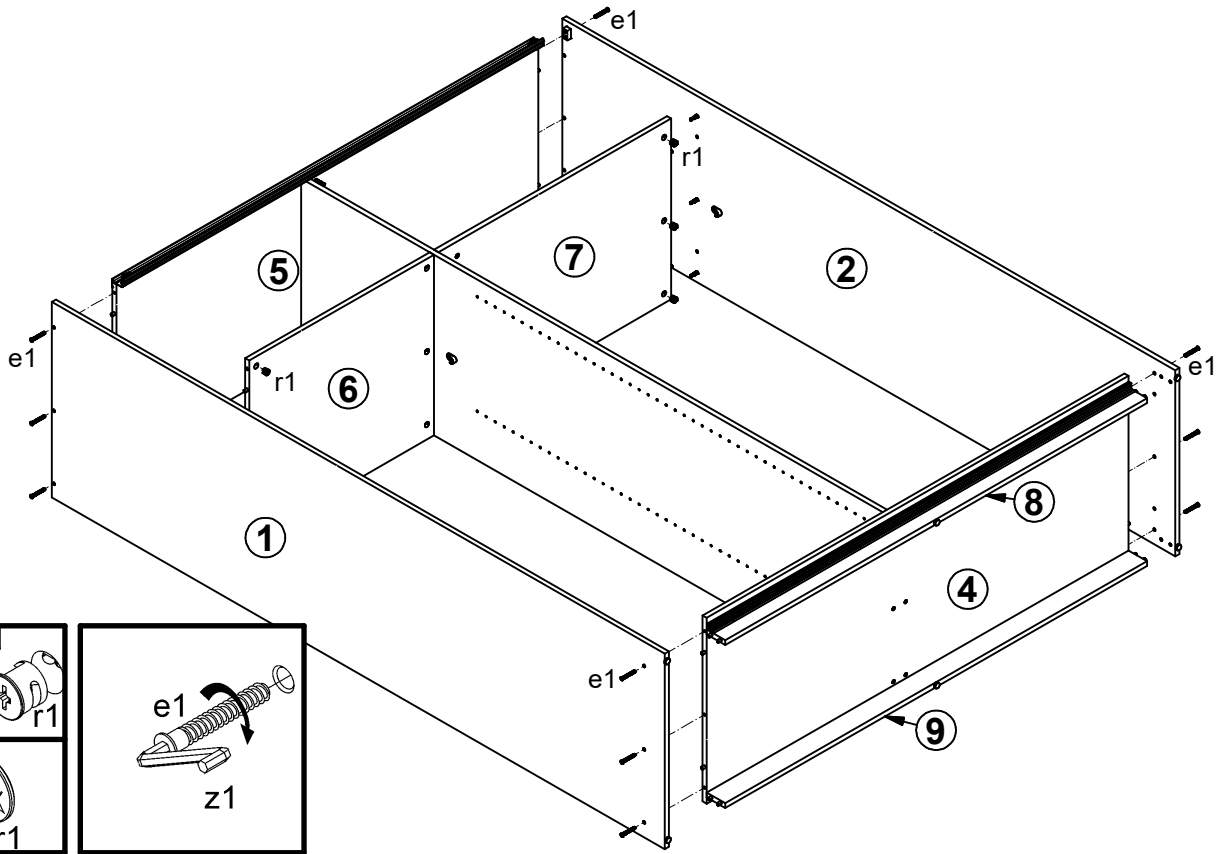
2



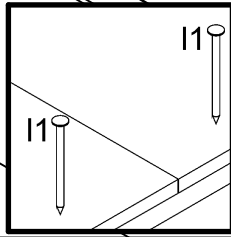
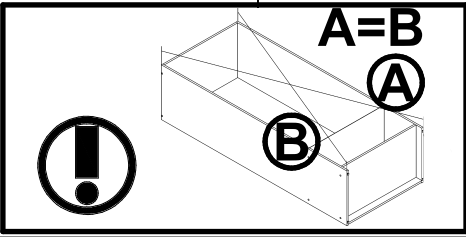
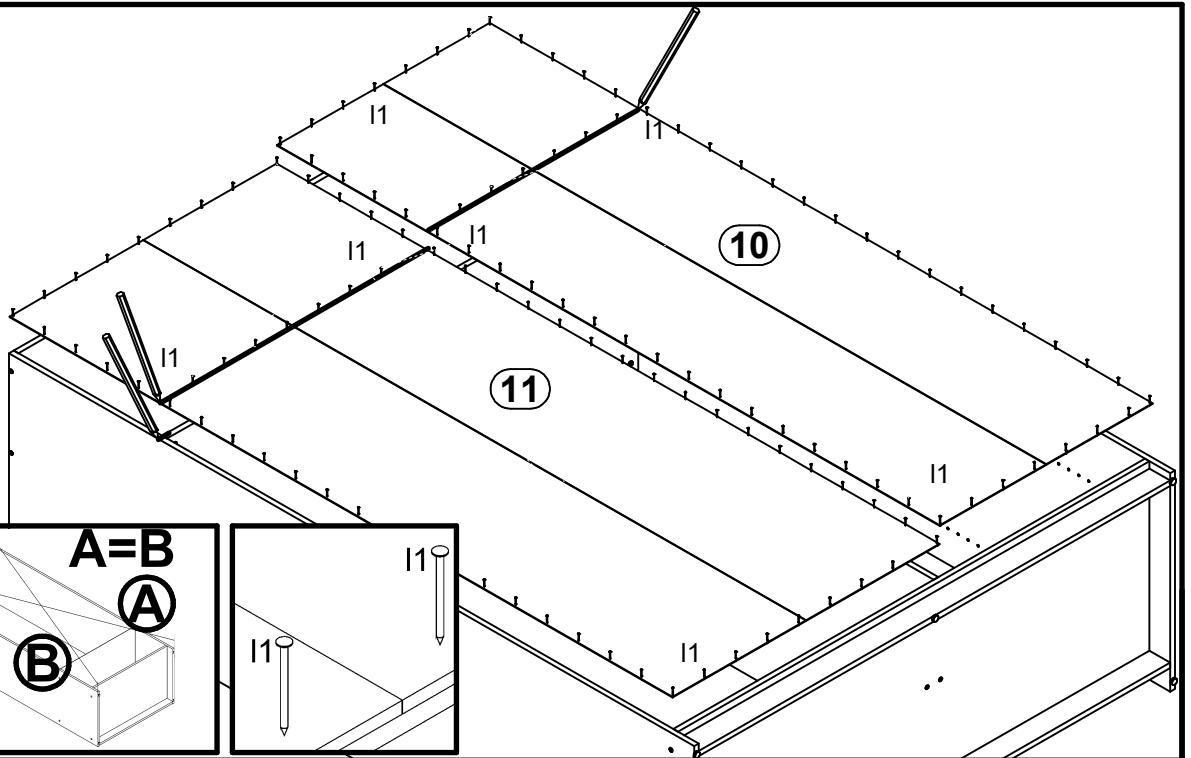
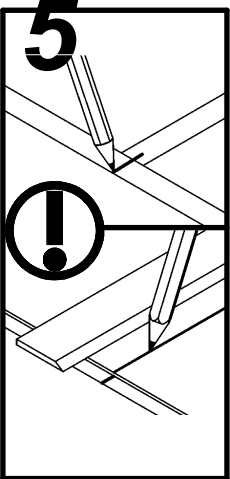
3



4



5



6

