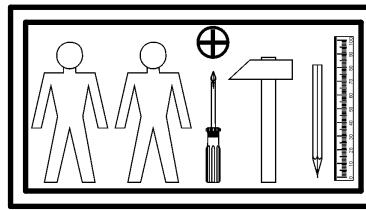
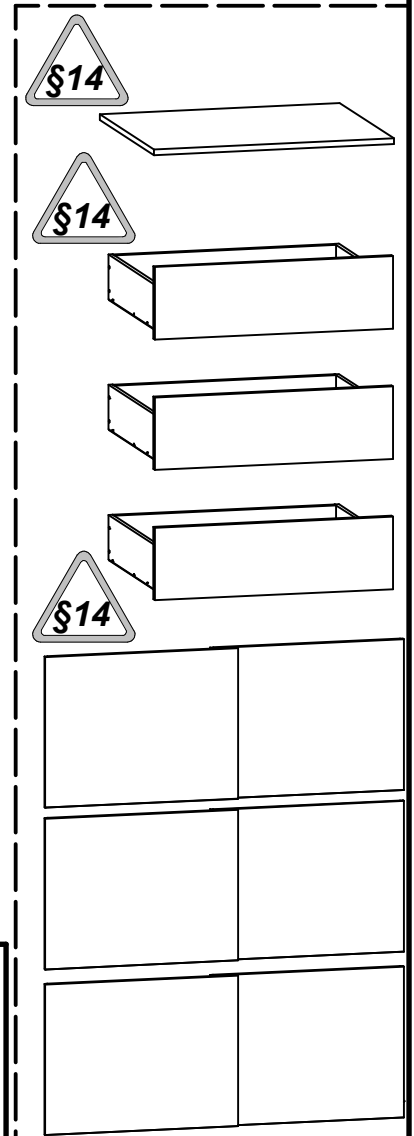
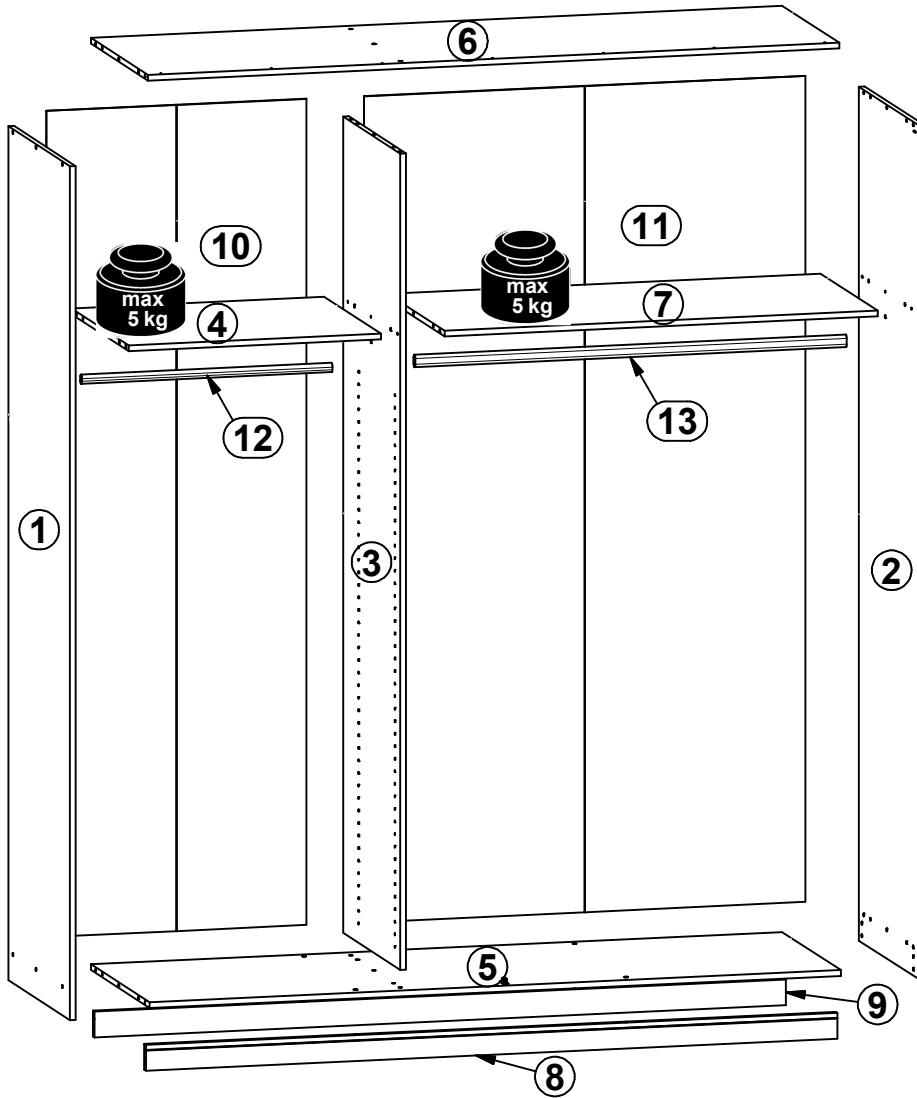
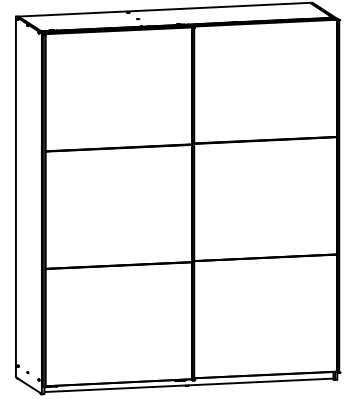


**A**

# COLIN

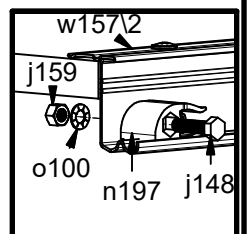
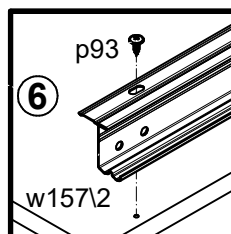
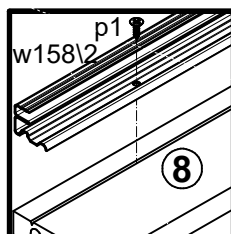
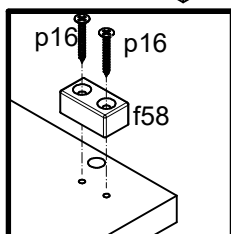
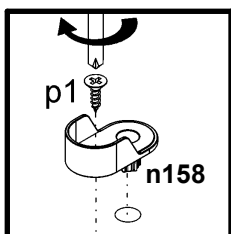
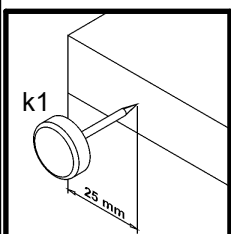
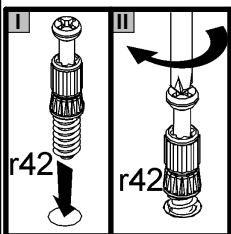
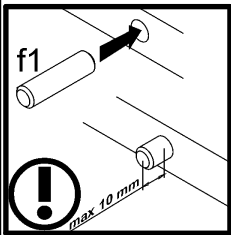
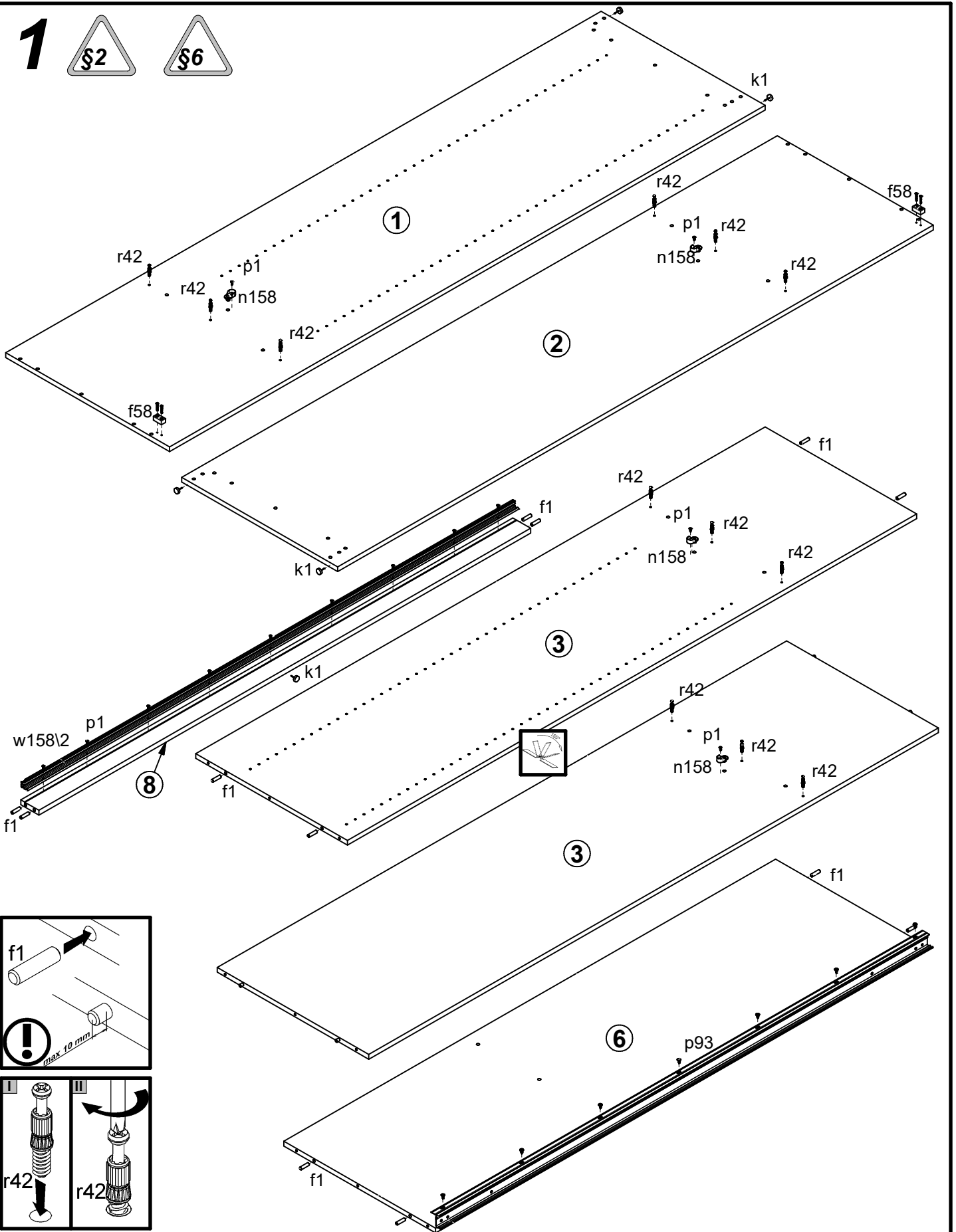
**F24-SZF/183**

A	B	C	D	A	B	C	D		
1	F24-101	2180	600	1/3	9	F24-404	1800	66	1/3
2	F24-102	2180	571	1/3	10	F24-901	2109	677,	1/3
3	F24-103	2084	555	1/3	11	F24-903	2109	1149	1/3
4	F24-303	657	555	2/3	12	dr-652	652	22	2/3
5	F24-306	1800	571	2/3	13	dr-1123	1123	30	2/3
6	F24-307	1800	555	2/3					
7	F24-308	1128	555	2/3					
8	F24-403	1800	66	1/3					

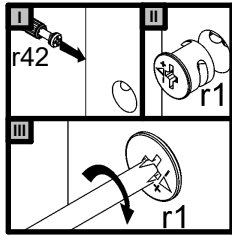
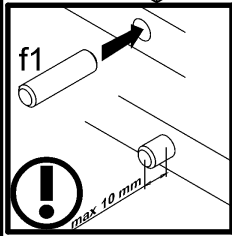
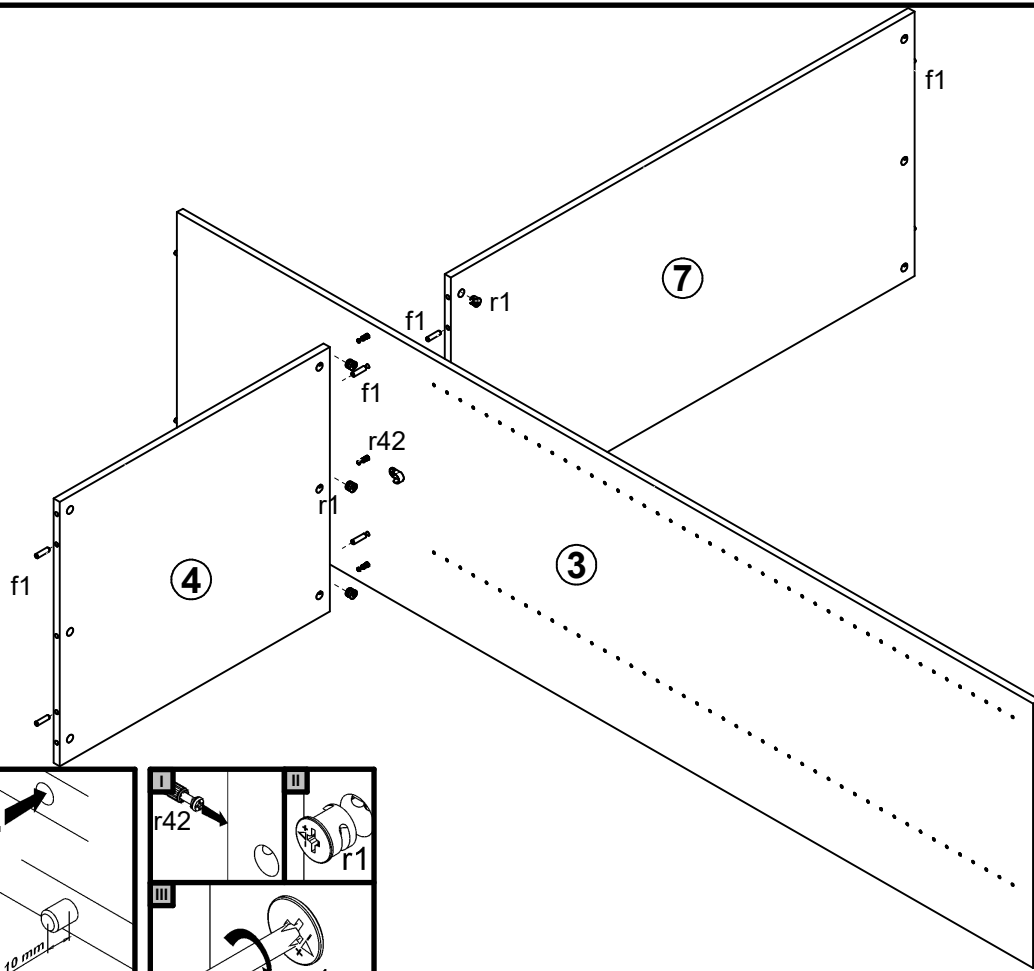


22x φ7x50 mm e1	24x φ5,5x13 mm e13	28x φ8x30 mm f1	2x f58	2x M5x20 mm j148	2x M5 j159	6x k1	140x l1	3x n140\3
8x n148	4x n158	2x n194	2x n195	1x n196	2x n197	2x n198	2x n199	2x φ5xφ10 o100
14x φ3,5x13 mm p1	4x φ3,5x25 mm p16	95x φ4x13 mm p93	12x φ15x12mm #16 r1	12x r42	16x s1	12x ø16 s2	1x L=1798mm w157\2	1x L=1798mm w158\2
1x L=2130mm w159\2	1x z1							

# 1



# 2



# 3

