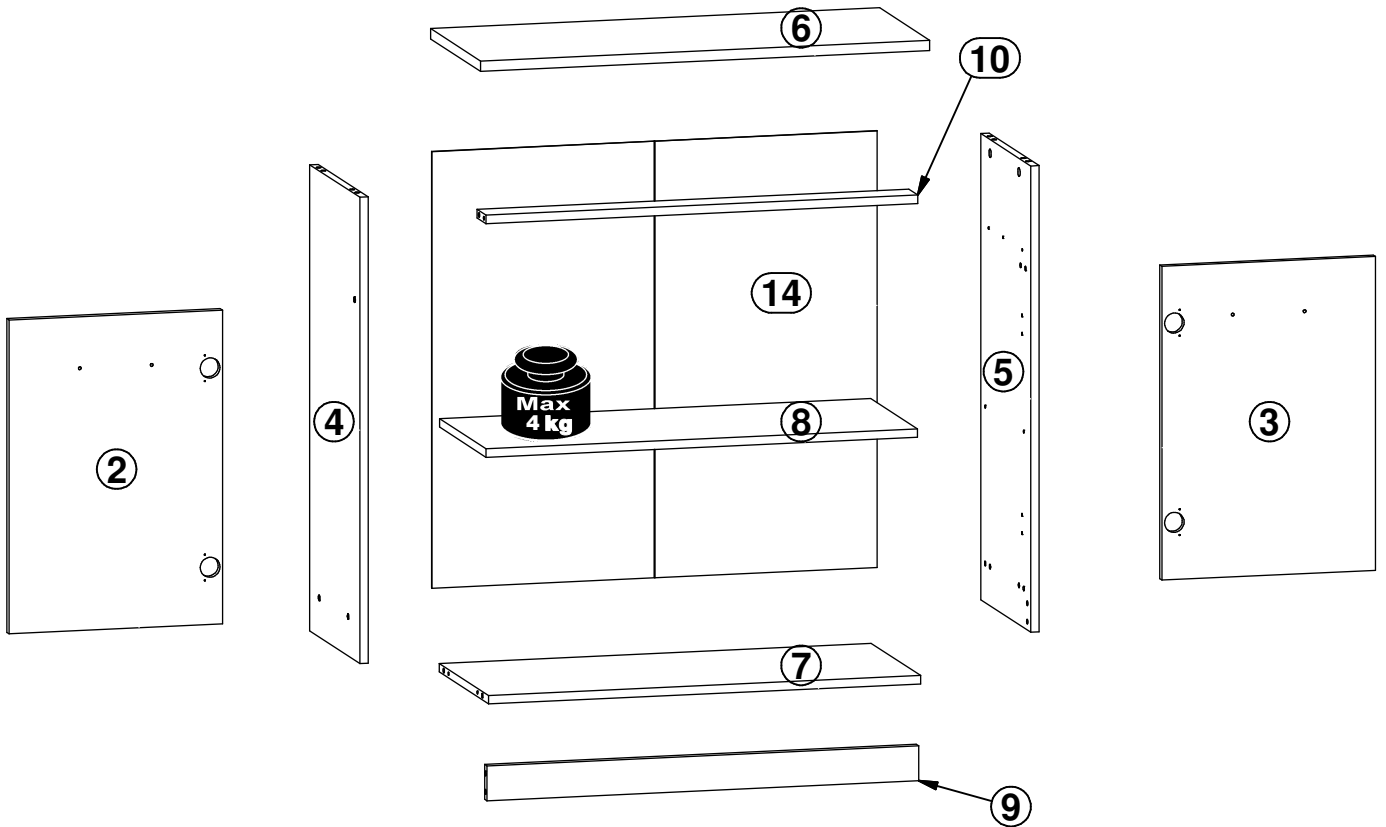
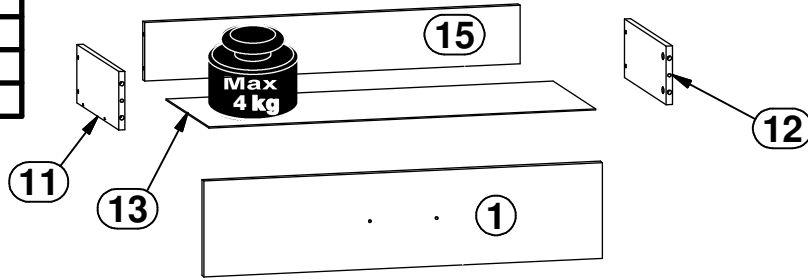
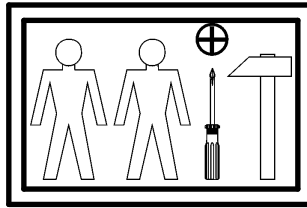
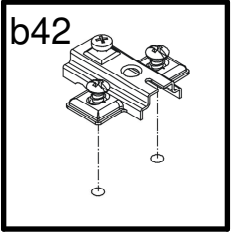
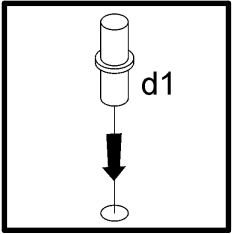
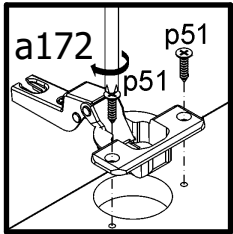
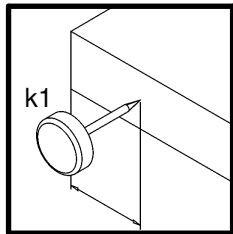
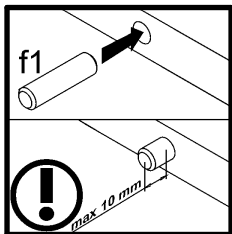
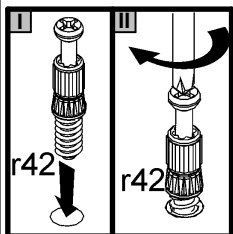
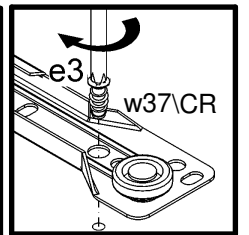
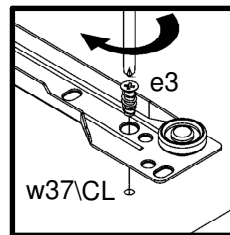
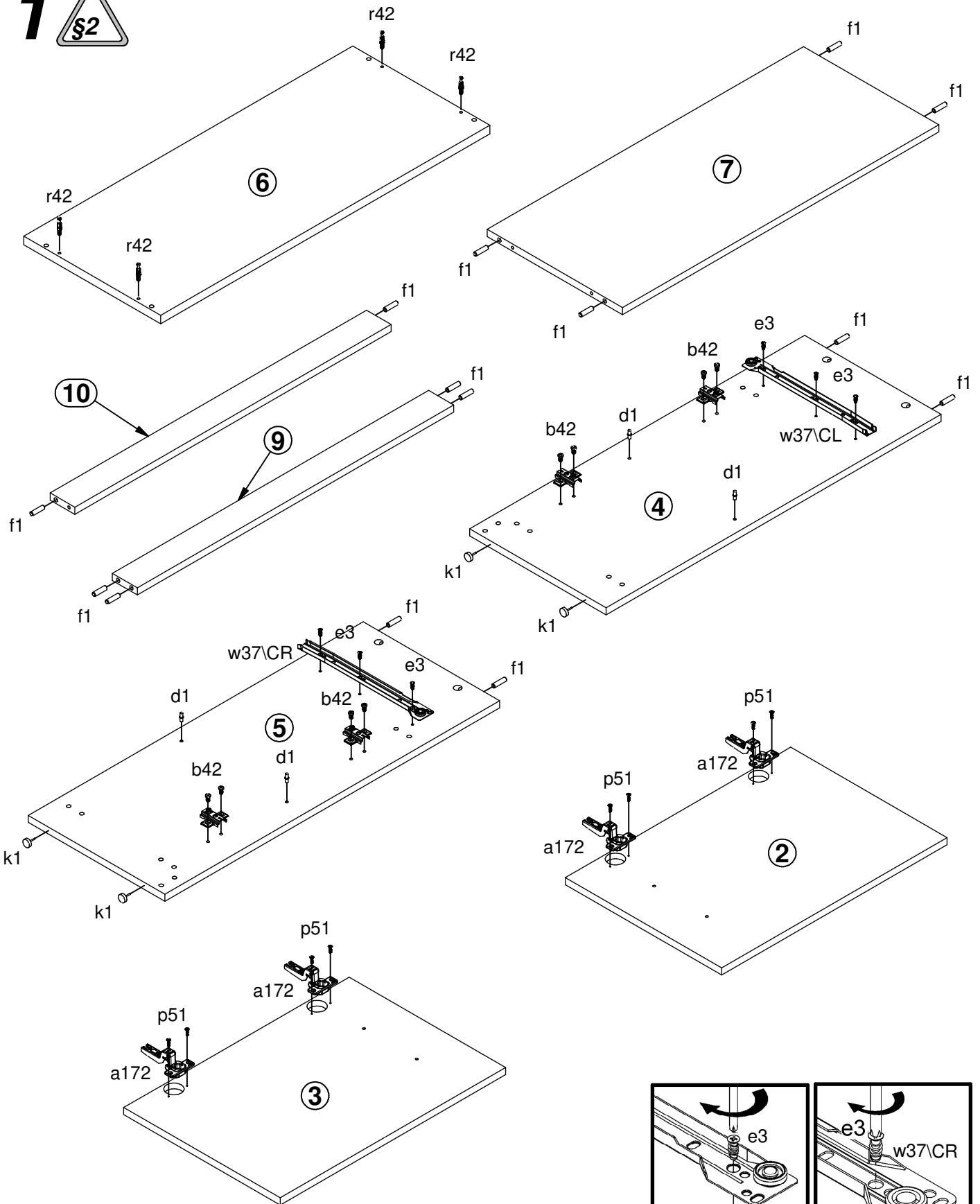


A	B	C	D	
1	S435-0005	764	180	3/3
2	S435-0036	548	380	2/3
3	S435-0037	548	380	2/3
4	S435-1063	814	332	1/3
5	S435-1064	814	332	1/3
6	S435-2003	800	333	1/3
7	S435-3046	769	329	1/3
8	S435-3047	768	310	1/3
9	S435-4001	769	61	1/3
10	S435-4003	769	60	1/3
11	S435-5053	300	110	1/3
12	S435-5054	300	110	1/3
13	S435-9002	742	307	1/3
14	S435-9319	762	793	1/3
15	ZS7-5011	720	110	1/3



4x K18 Ø35 <b>a172</b>	4x <b>b42</b>	3x 128 mm <b>c310</b>	4x Ø5x17 mm <b>d1</b>	6x Ø7x50 mm <b>e1</b>	4x Ø5x9 mm <b>e19</b>	6x Ø6x13 mm <b>e3</b>	14x Ø8x30 mm <b>f1</b>	4x Ø6.5x40 mm <b>f25</b>
2x Ø6x30 mm <b>f9</b>	4x <b>k1</b>	35x 1.4x20 mm <b>l1</b>	1x Ø3.5x10 mm <b>p35</b>	1x Ø3.5x16 mm <b>p38</b>	9x Ø3.5x15 mm <b>p51</b>	6x Ø2.9x16 mm <b>p55</b>	6x Ø4x25 mm <b>p87</b>	4x Ø15x12 mm #16 <b>r1</b>
4x Ø12x10.5 mm #12 <b>r15</b>	8x 20/31 <b>r42</b>	1x 300 mm <b>t25</b>	1x 300 mm <b>w37\ICL</b>	1x 300 mm <b>w37\ICR</b>	1x 300 mm <b>w37\IDL</b>	1x 300 mm <b>w37\IDR</b>	1x <b>n26</b>	6x <b>s1</b>
1x 4 mm <b>z1</b>								

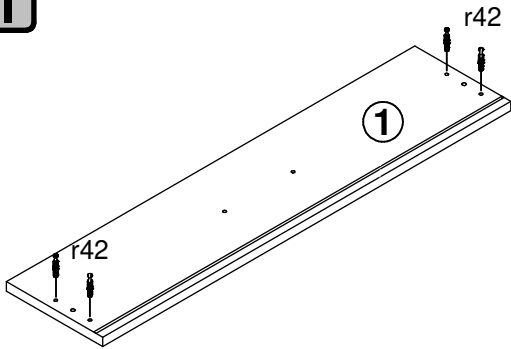
# 1



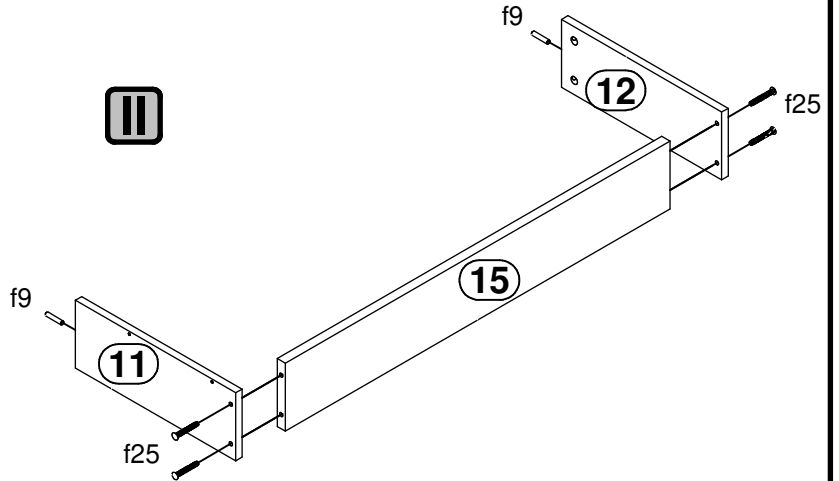
# 2



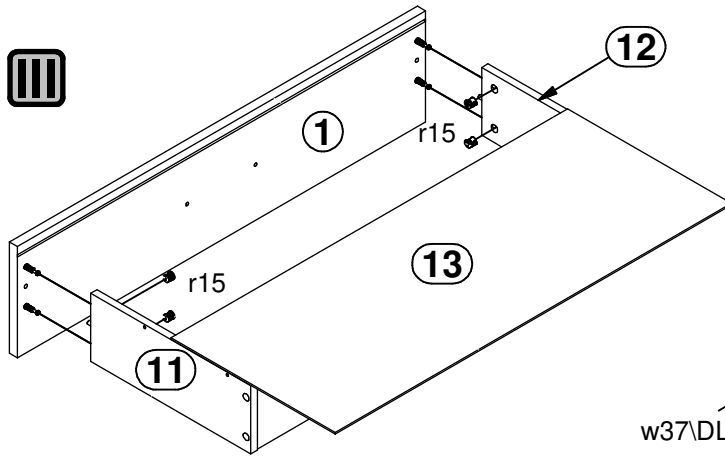
## I



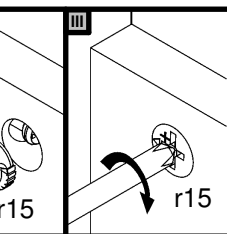
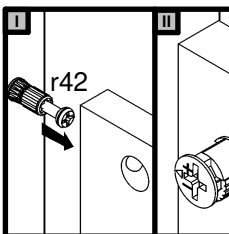
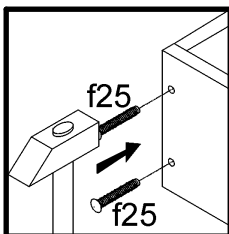
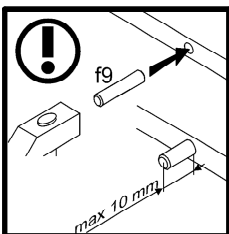
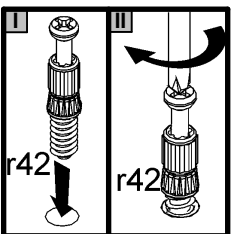
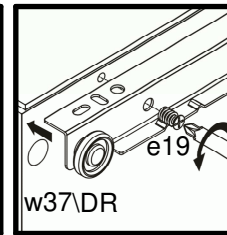
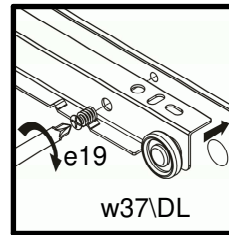
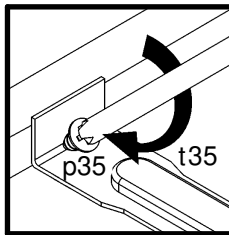
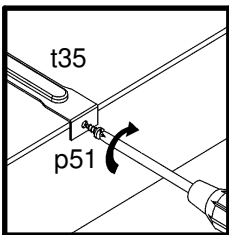
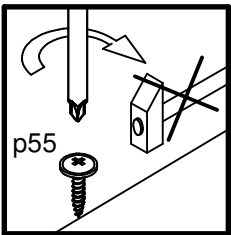
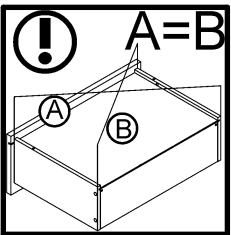
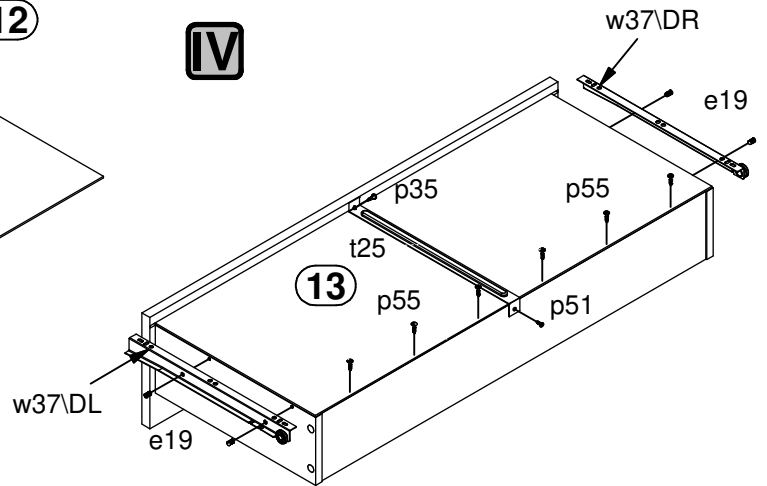
## II



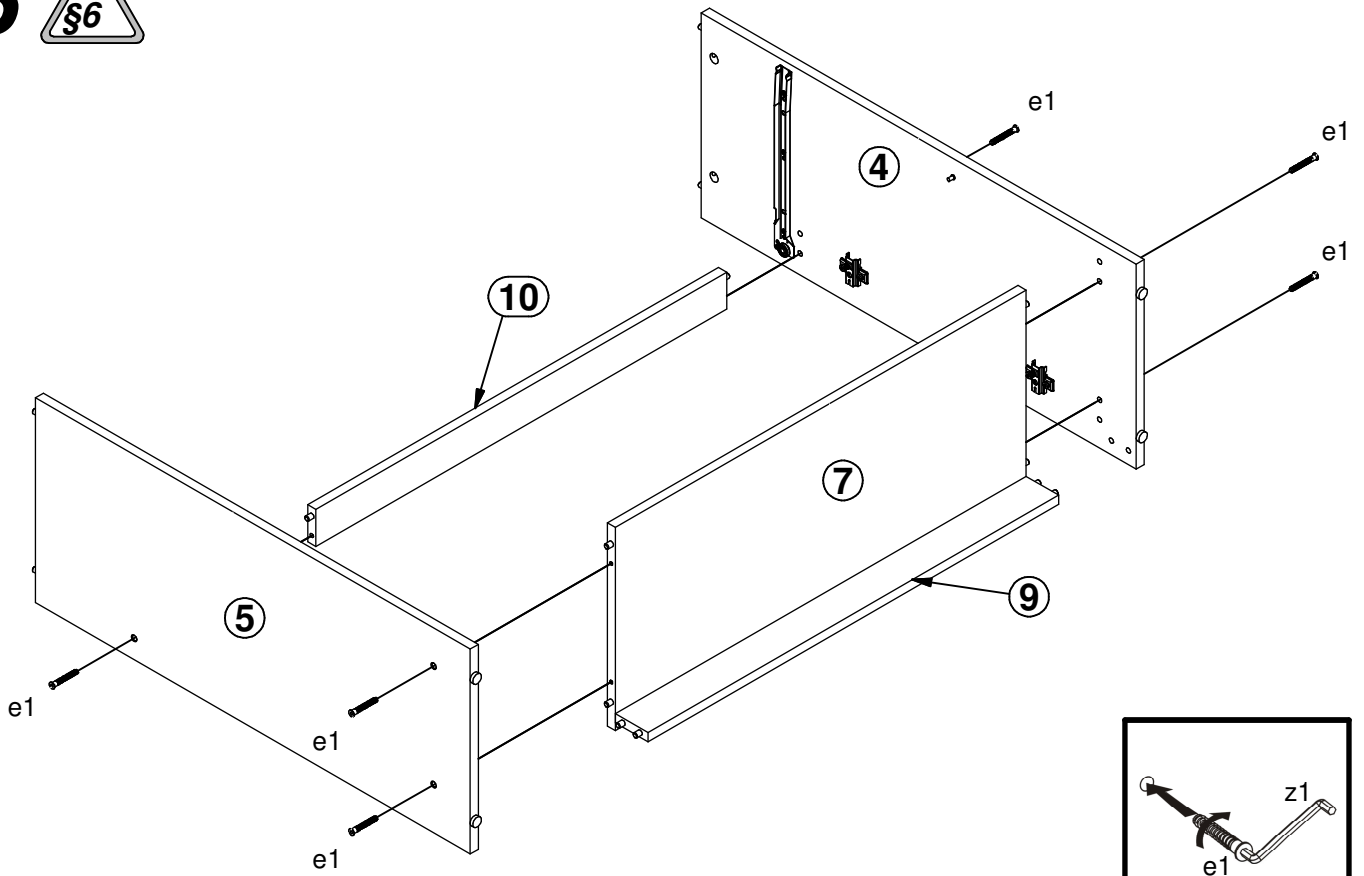
## III



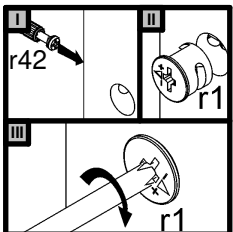
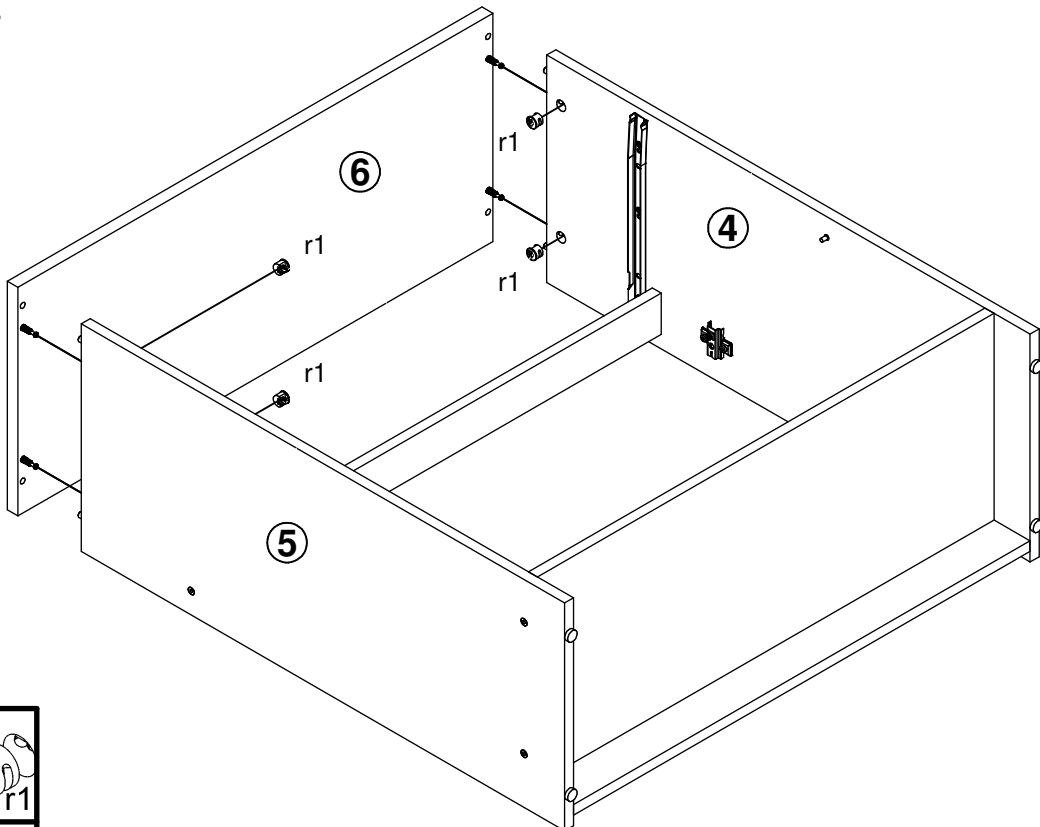
## IV



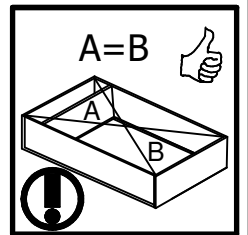
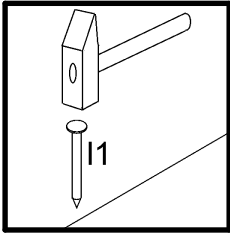
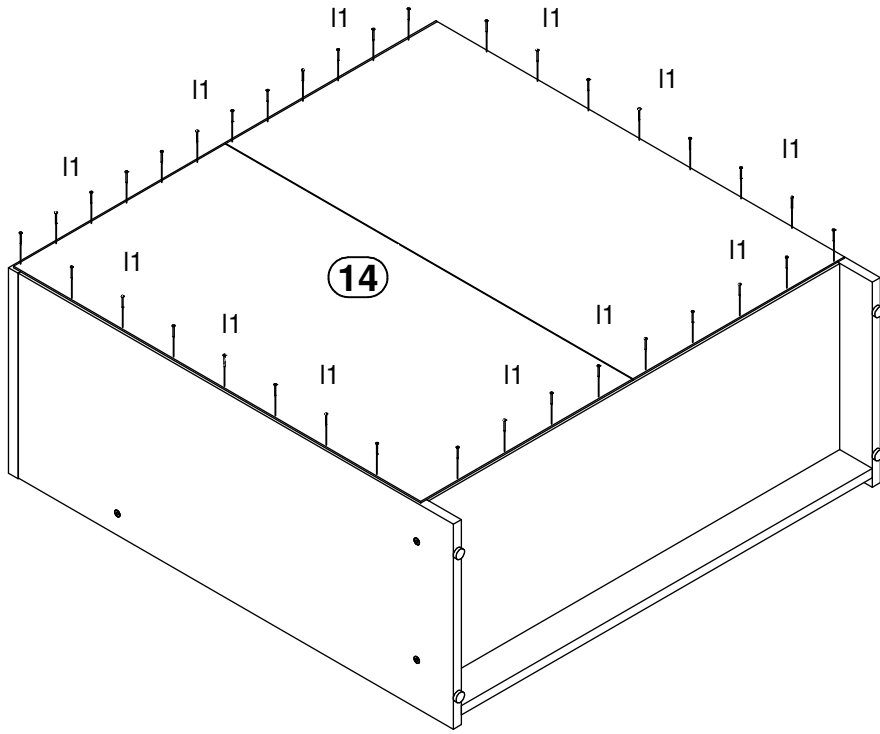
# 3



# 4



# 5



# 6

