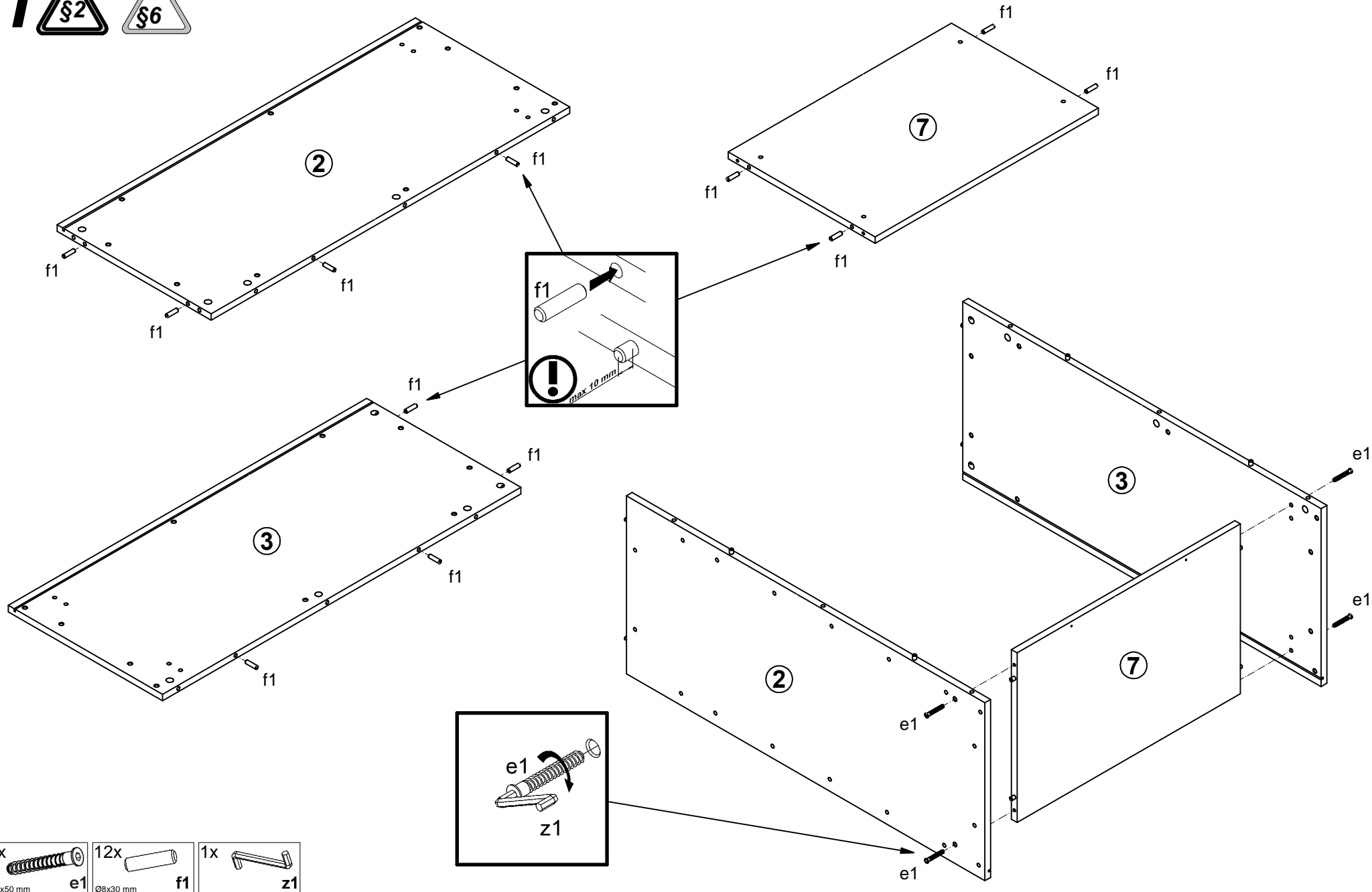


A	B	C (mm)		D
1	S228-013	534	160	2/2
2	S228-125	1002	431	1/2
3	S228-126	1002	431	1/2
4	S228-127	910,5	376	2/2
5	S228-128	910,5	376	2/2
6	S228-209	656	431	1/2
7	S228-326	624	411	1/2
8	S228-409	542	60	2/2
9	S228-5539	431	80	1/2
10	S228-5542	315	80	1/2
11	S228-5547	1010	58	1/2
12	S228-5548	1000	58	1/2
13	S228-5549	1000	80	1/2
14	S228-5550	1000	80	1/2
15	S228-5551	540	80	1/2
16	S228-5552	701	80	1/2
17	S228-5553	622	40	1/2
18	S228-9907	928	633	2/2
19	WSP-943	512	358	1/2
20	WSQ3-505	350	120	2/2
21	WSQ3-506	350	120	2/2
22	WTQ-5041	502	107	1/2

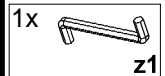
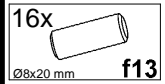
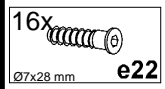
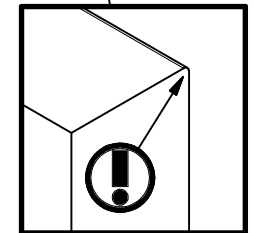
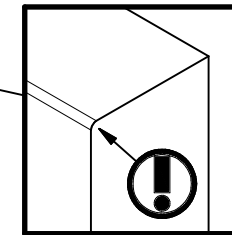
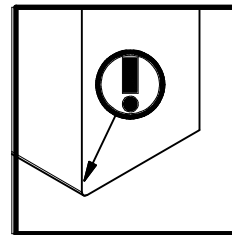
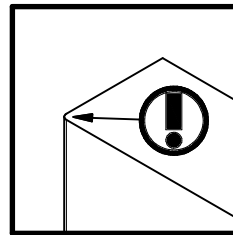
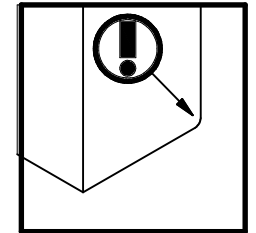
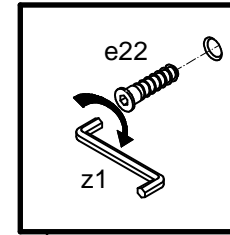
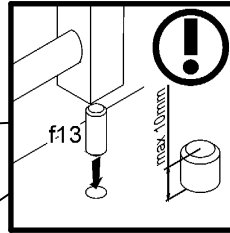
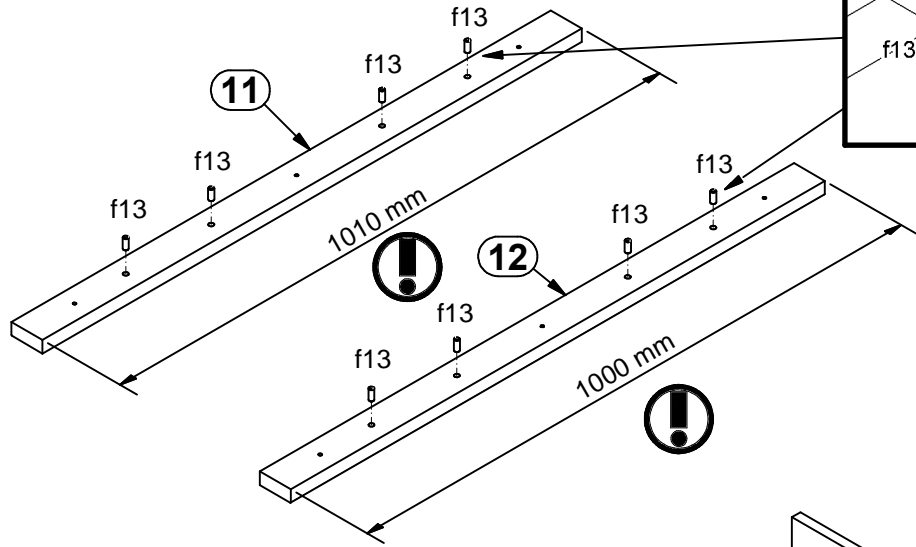


5x 192 mm c280\1	2x d36	4x Ø7x50 mm e1	20x Ø7x28 mm e22	40x Ø6x13 mm e3	38x Ø8x30 mm f1	16x Ø8x20 mm f13	20x Ø6,5x40 mm f25	1x Ø10x50 mm f35	10x M4x22 mm j30	6x k1	2x k101	10x l1
12x l2	1x 86x21x15/1,5 n14\2	1x Ø5x60 mm p17	22x Ø3,5x16 mm p38	4x Ø3,5x15 mm p51	4x Ø3,5x20 mm p79	3x Ø4x25 mm p8	13x Ø15x12 mm #16 r1	20x Ø12x10,5 mm #12 r15	33x 20\11 r42	5x 350 mm W117\L	5x 350 mm W117\P	1x z1

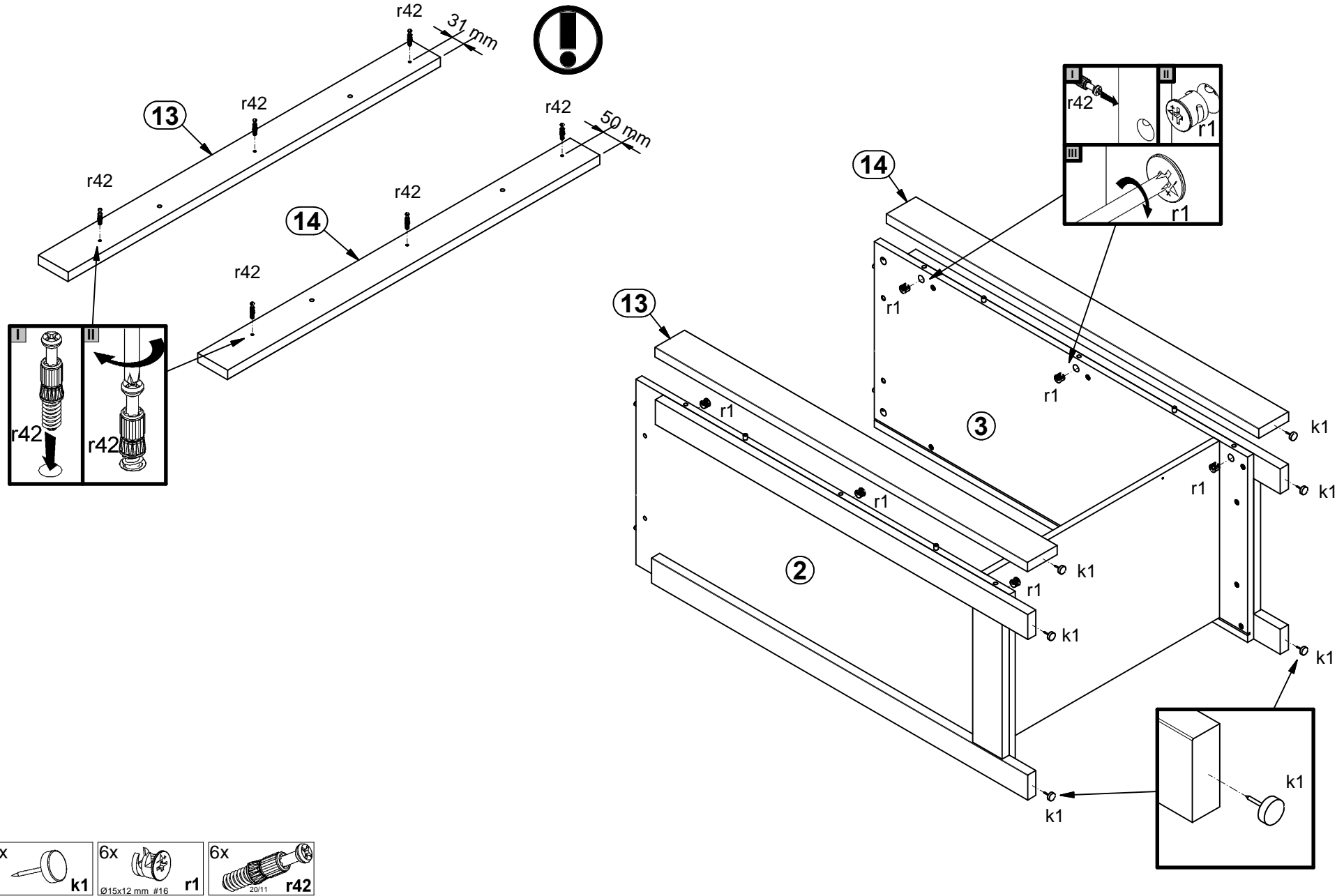


4x Ø7x50 mm e1	12x Ø8x30 mm f1	1x z1
----------------------	-----------------------	----------

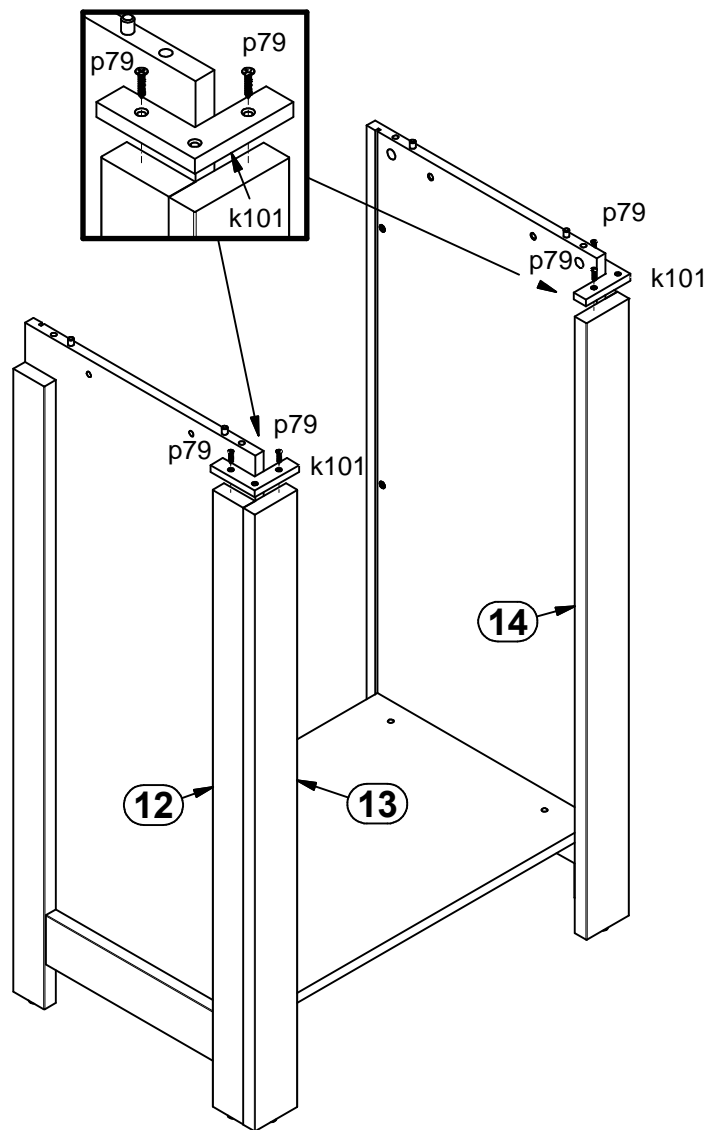
2



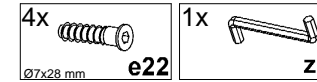
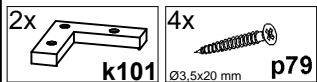
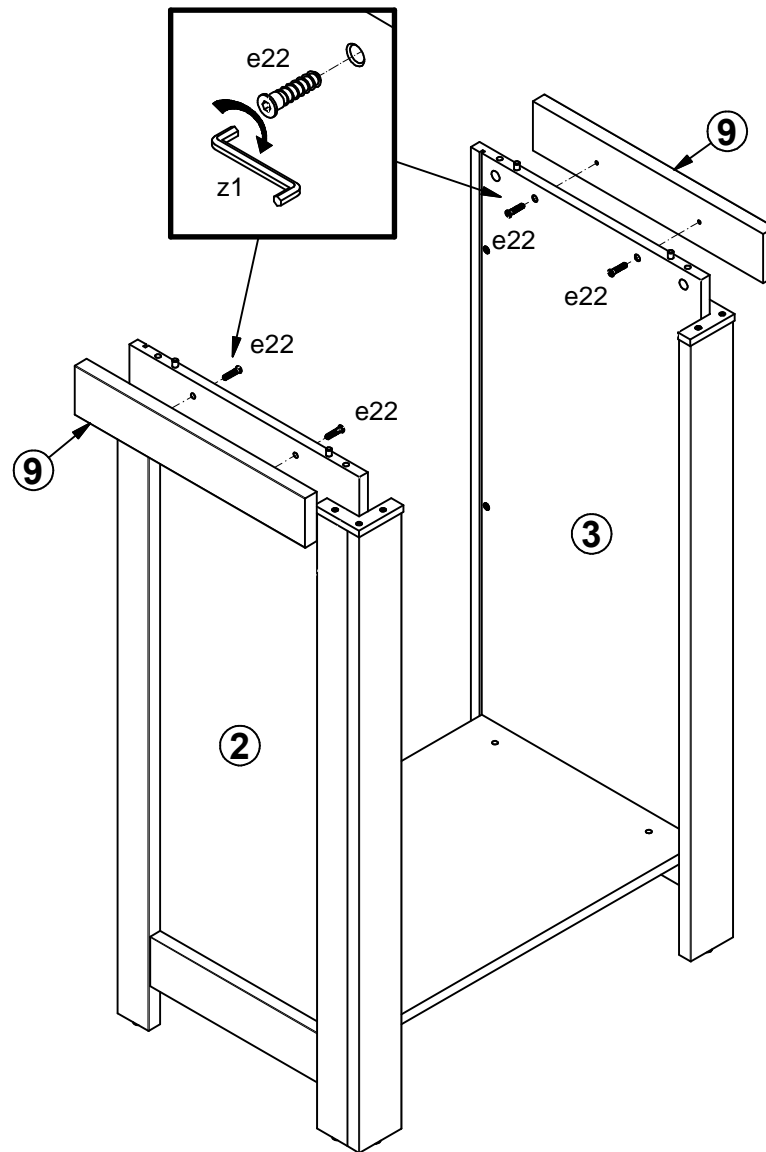
3



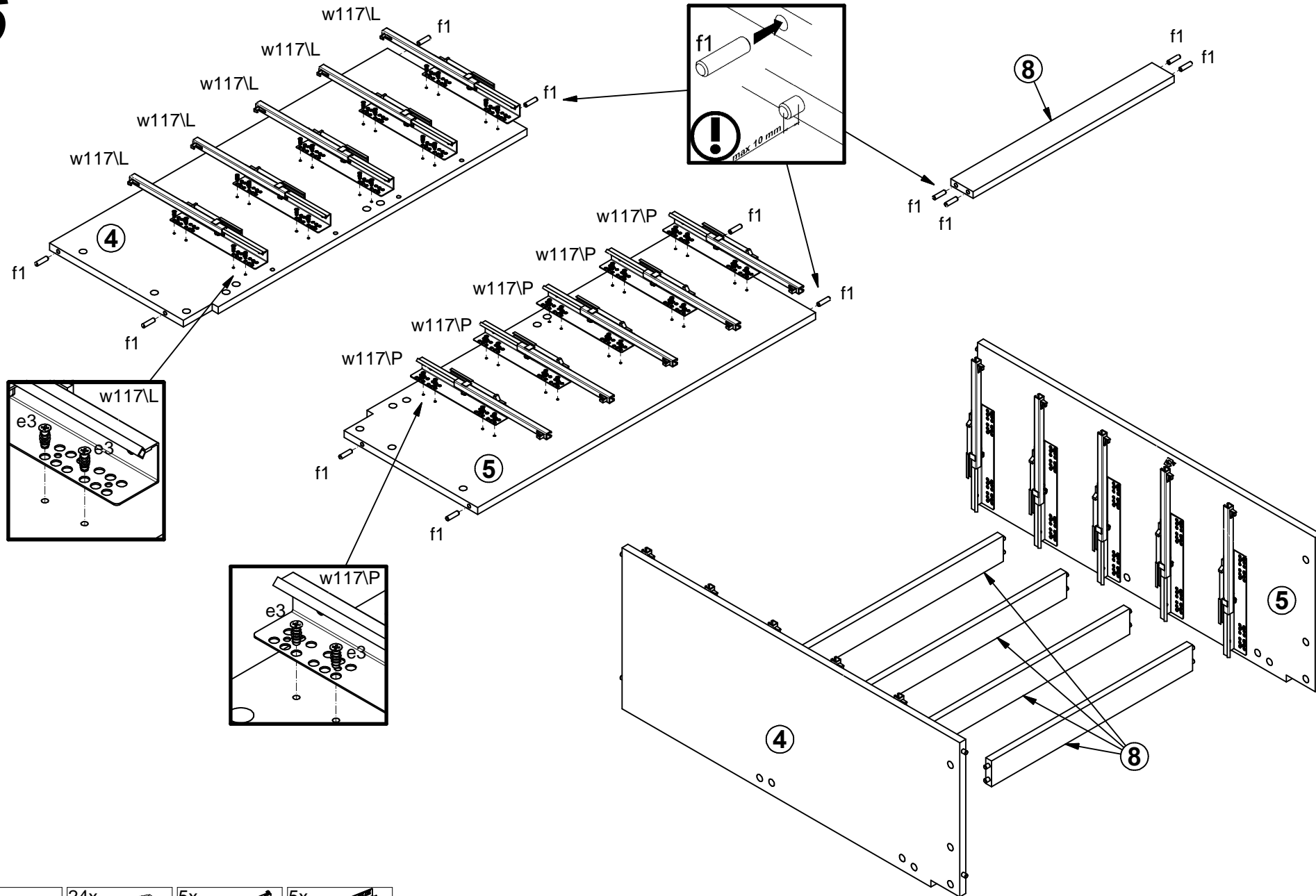
4



5

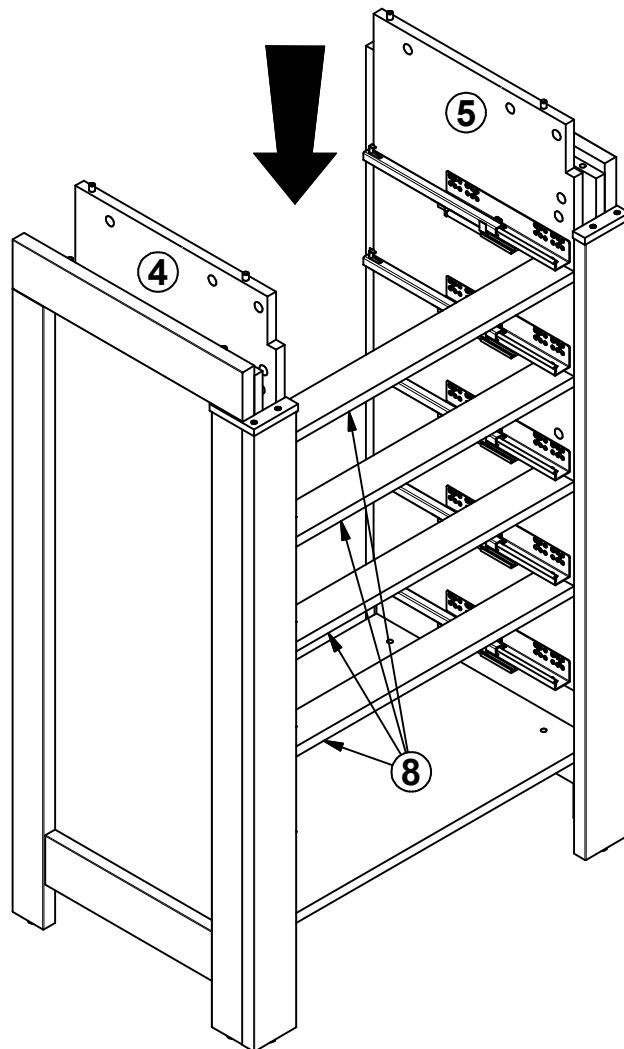


6

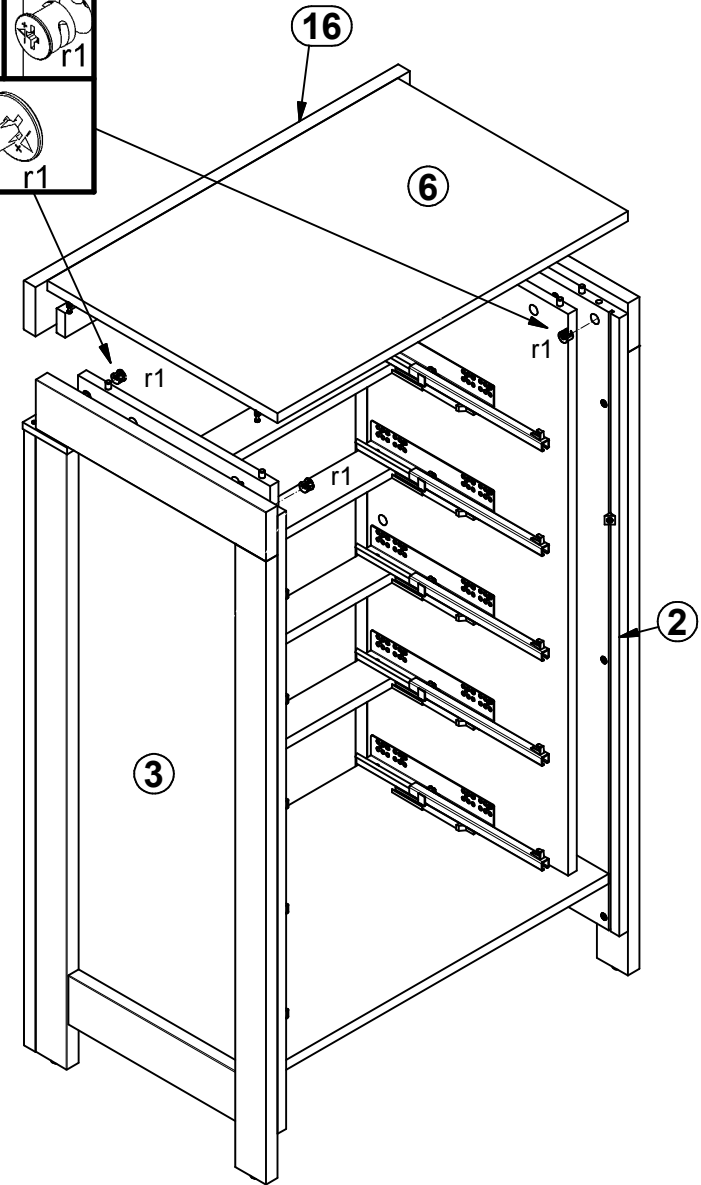
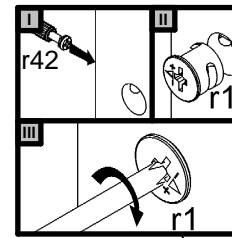
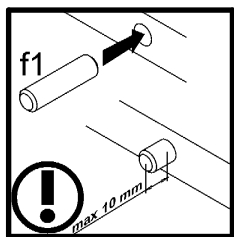
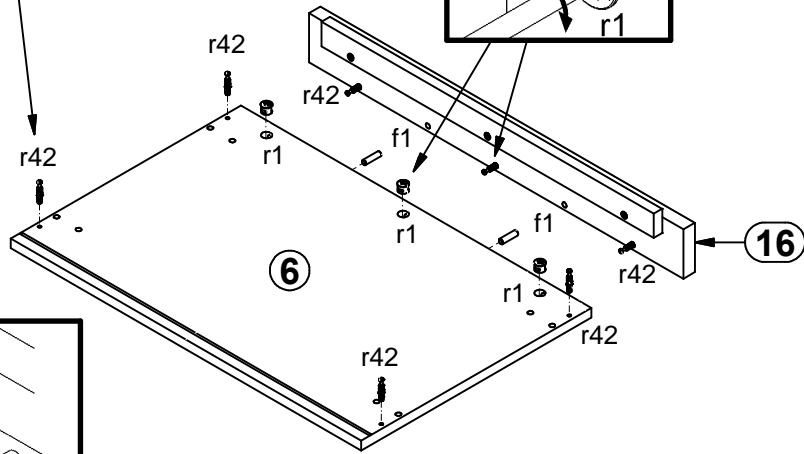
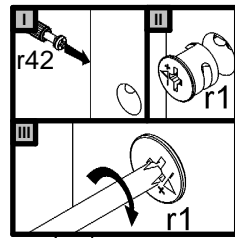
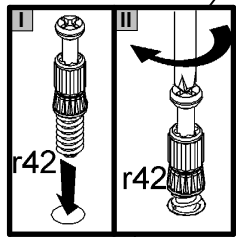
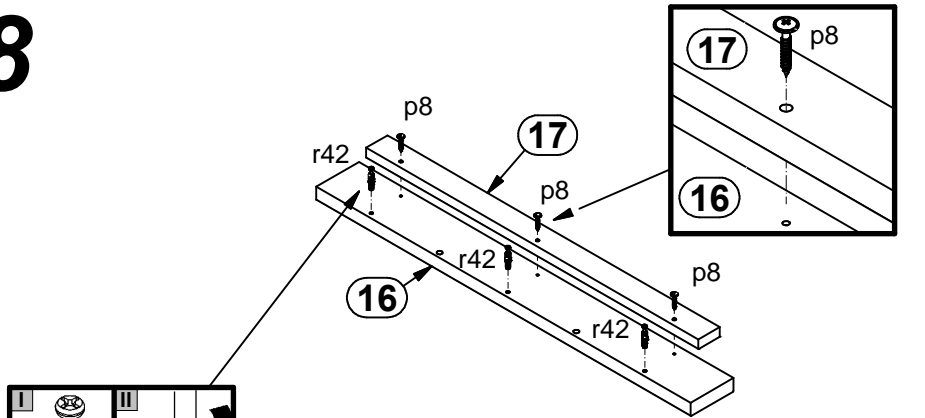


- 40x e3 Ø6x13 mm
- 24x f1 Ø8x30 mm
- 5x 350 mm w117L
- 5x 350 mm w117P

7

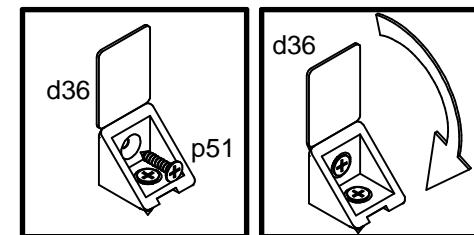
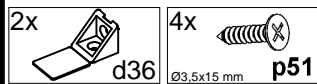
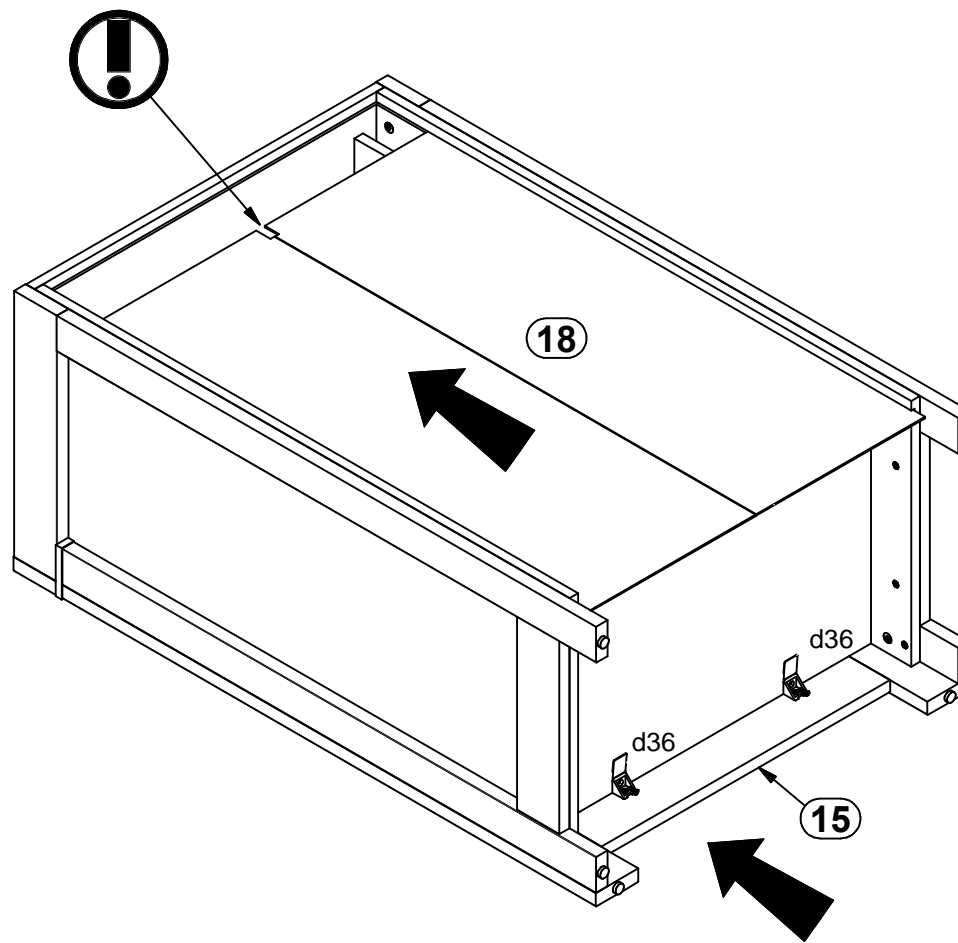
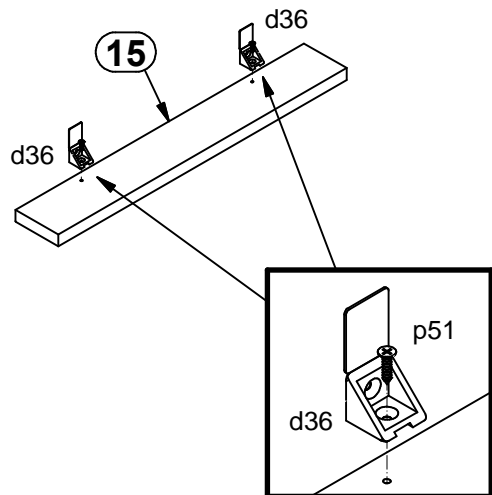


8

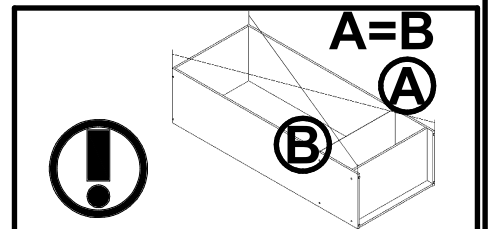
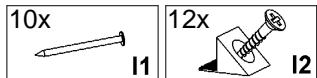
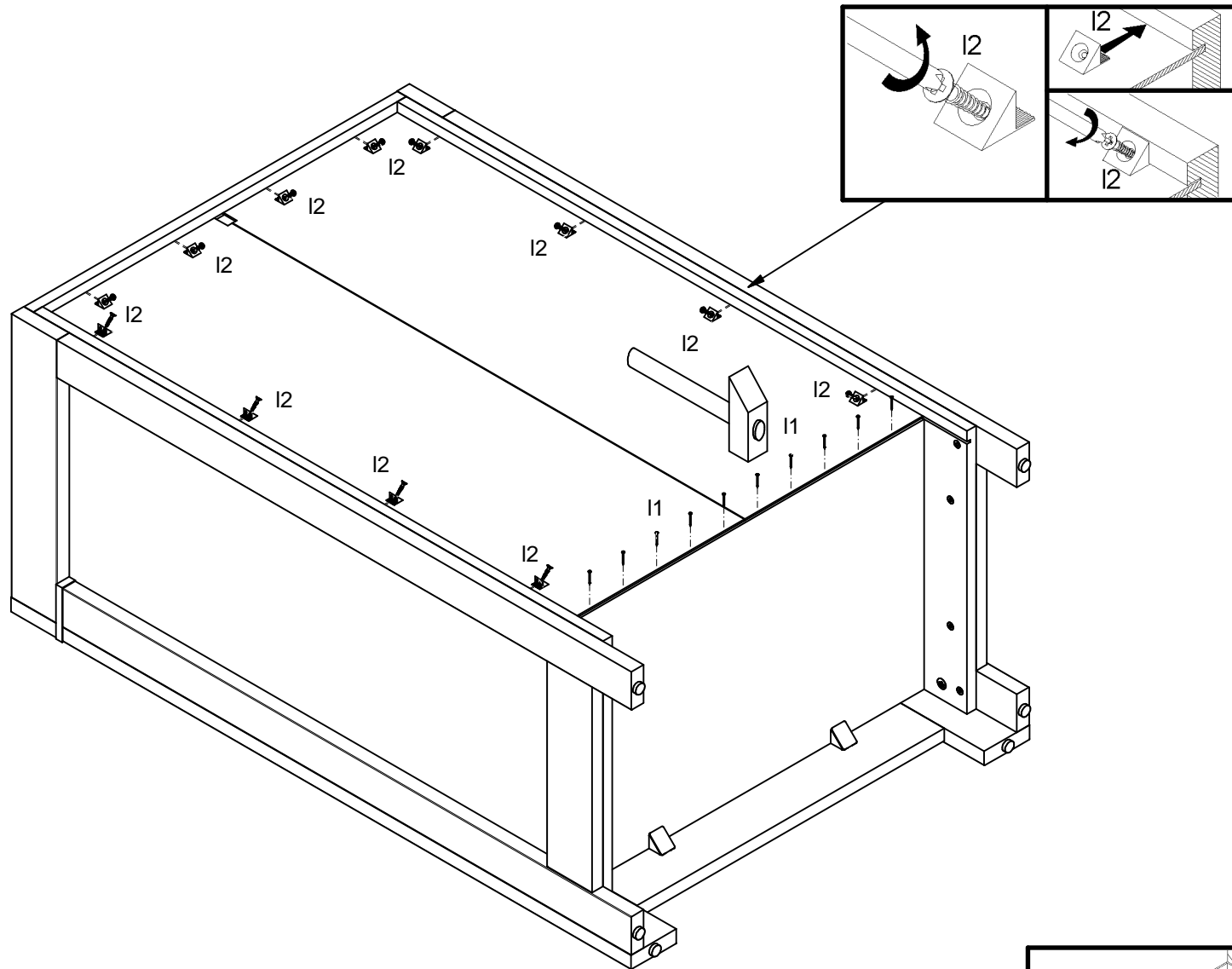


- 3x p8
- 7x r1
- 7x r42

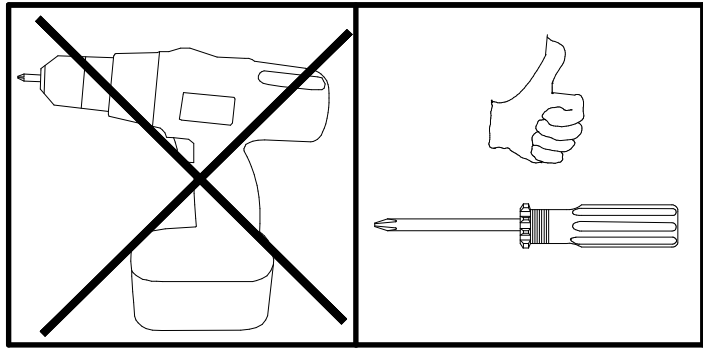
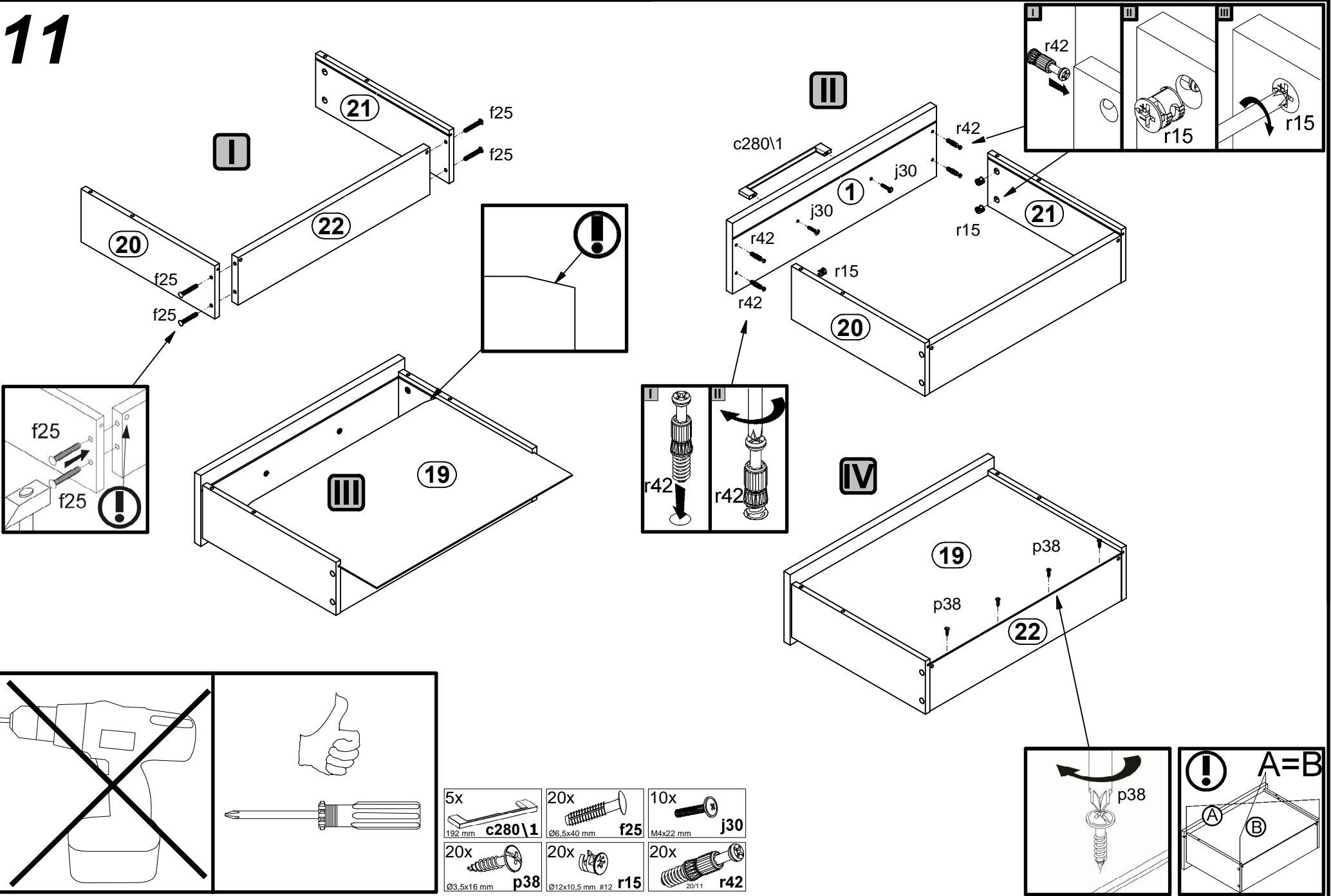
9



10



11



5x 192 mm c280\1	20x Ø6,5x40 mm f25	10x M4x22 mm j30
20x Ø3,5x16 mm p38	20x Ø12x10,5 mm #12 r15	20x 20/11 r42

12

