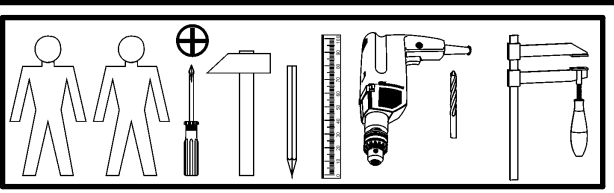
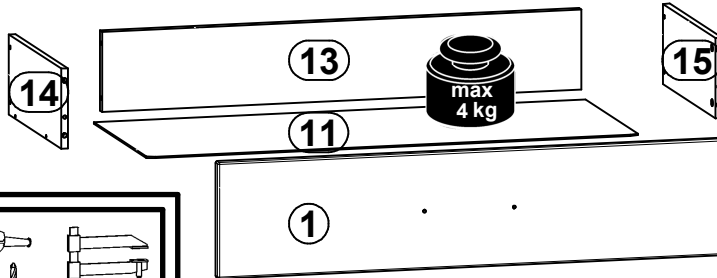
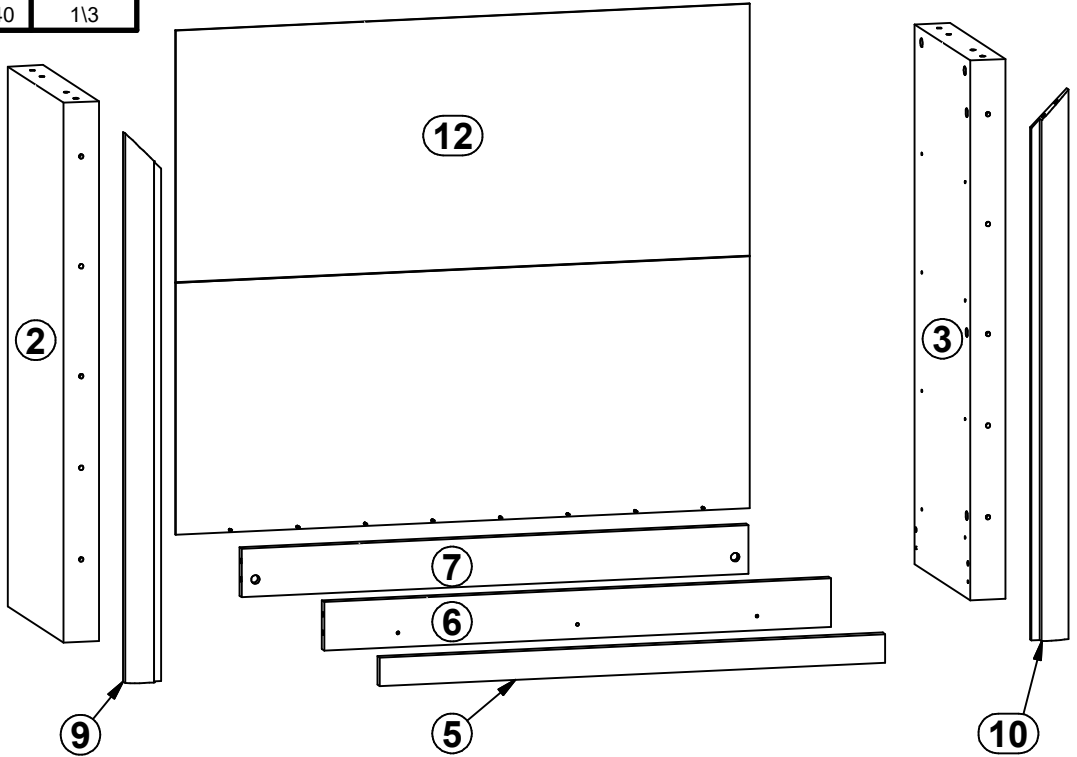
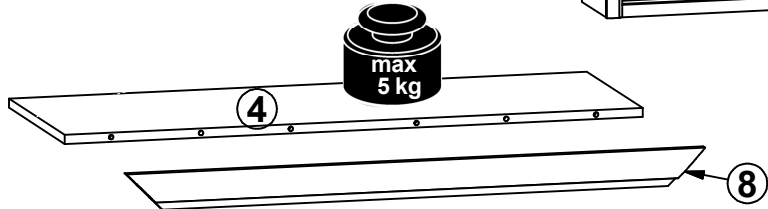
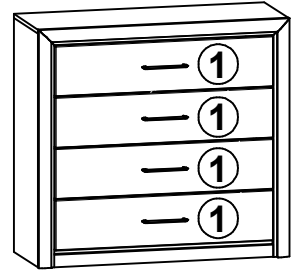
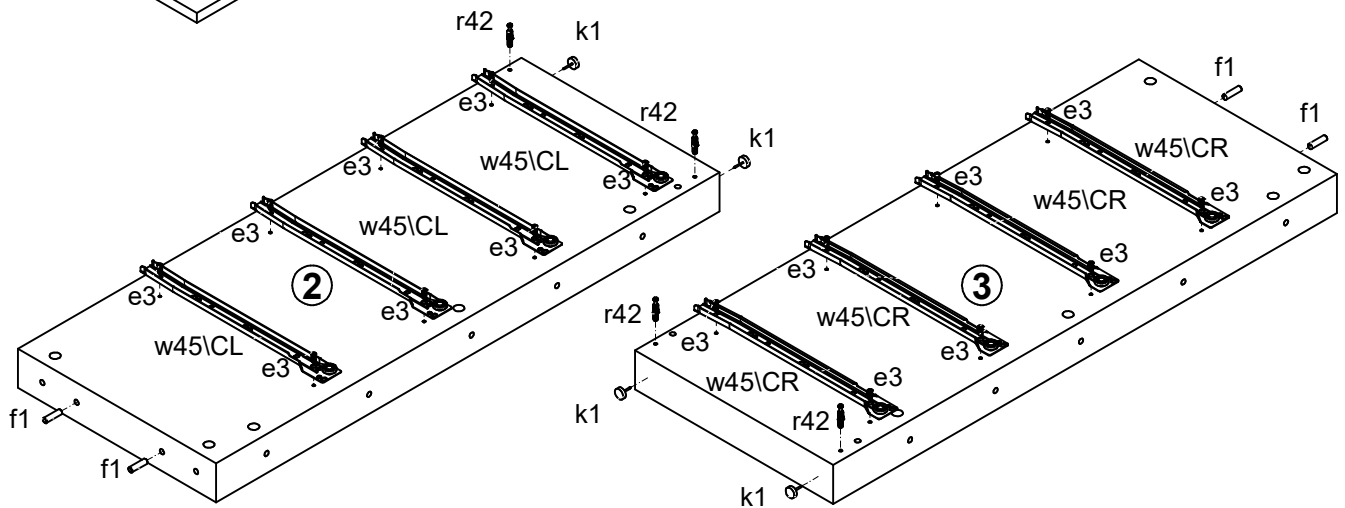
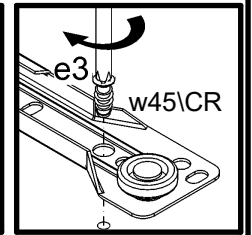
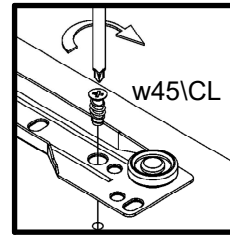
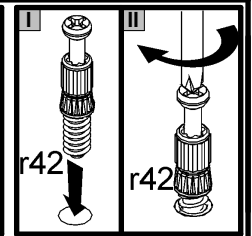
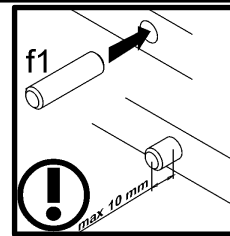
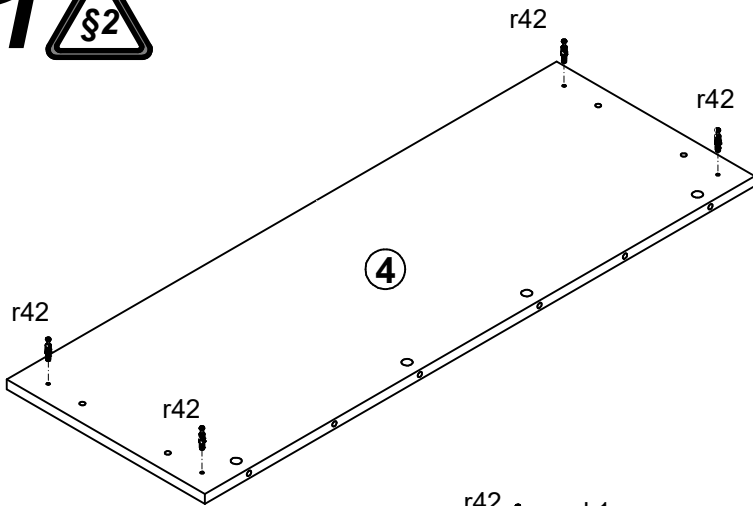


A	B	C	D
1	S337-0002	896	203
2	S337-1004	943	371
3	S337-1005	943	371
4	S337-2002	1030	371
5	S337-4004	901	50
6	S337-4005	903	85
7	S337-4006	903	85
8	S337-5004	1031	65
9	S337-5005	960	65
10	S337-5006	960	65
11	S337-9003	876	355
12	S337-9301	1023	881
13	ZS3-5672	854	140
14	ZS4-531	350	140
15	ZS4-532	350	140

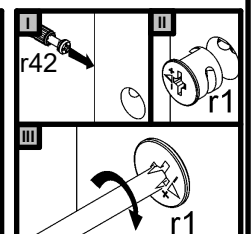
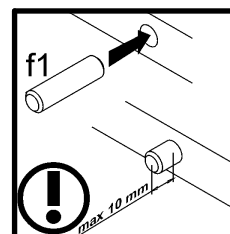
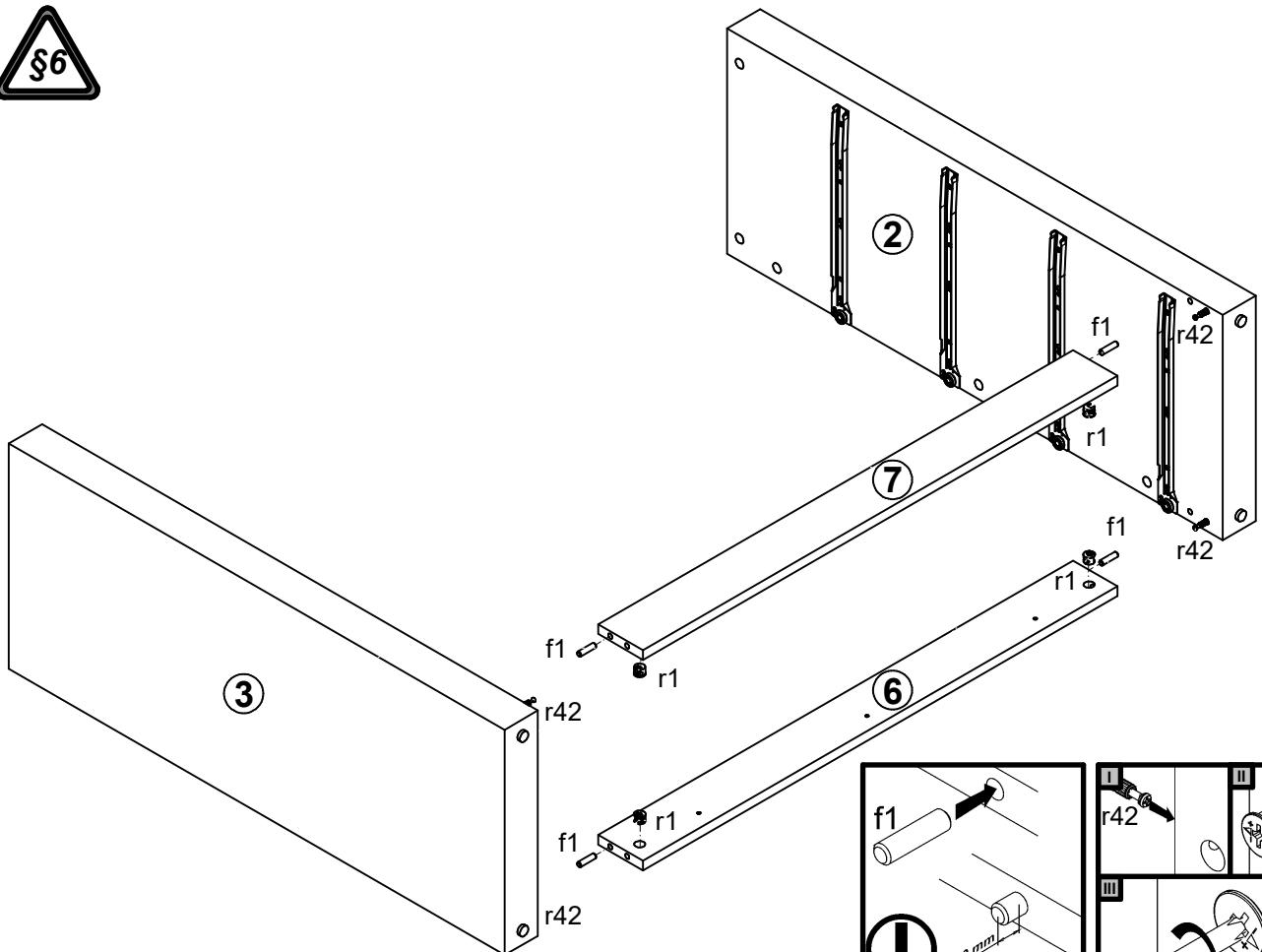


4x 160 mm c431	16x Ø6x13 mm e3	16x Ø5x9 mm e19	16x Ø8x30 mm f1	8x Ø6x30 mm f9	16x Ø6.5x40 mm f25	8x M4x22 mm j30	4x k1	30x l1
4x Ø3.5x16 mm p25	4x Ø3.5x10 mm p35	32x Ø3.5x16 mm p38	3x Ø4x28 mm p94	22x Ø15x12 mm #16 r1	2x r10	16x Ø12x10.5 mm #12 r15	34x 20x11 r42	4x 350 mm t35
4x 350 mm w45\CL	4x 350 mm w45\CR	4x 350 mm w45\DL	4x 350 mm w45\DR	4x Ø15 s51				
							1x n2611	1x Ø3.5x16 mm p38

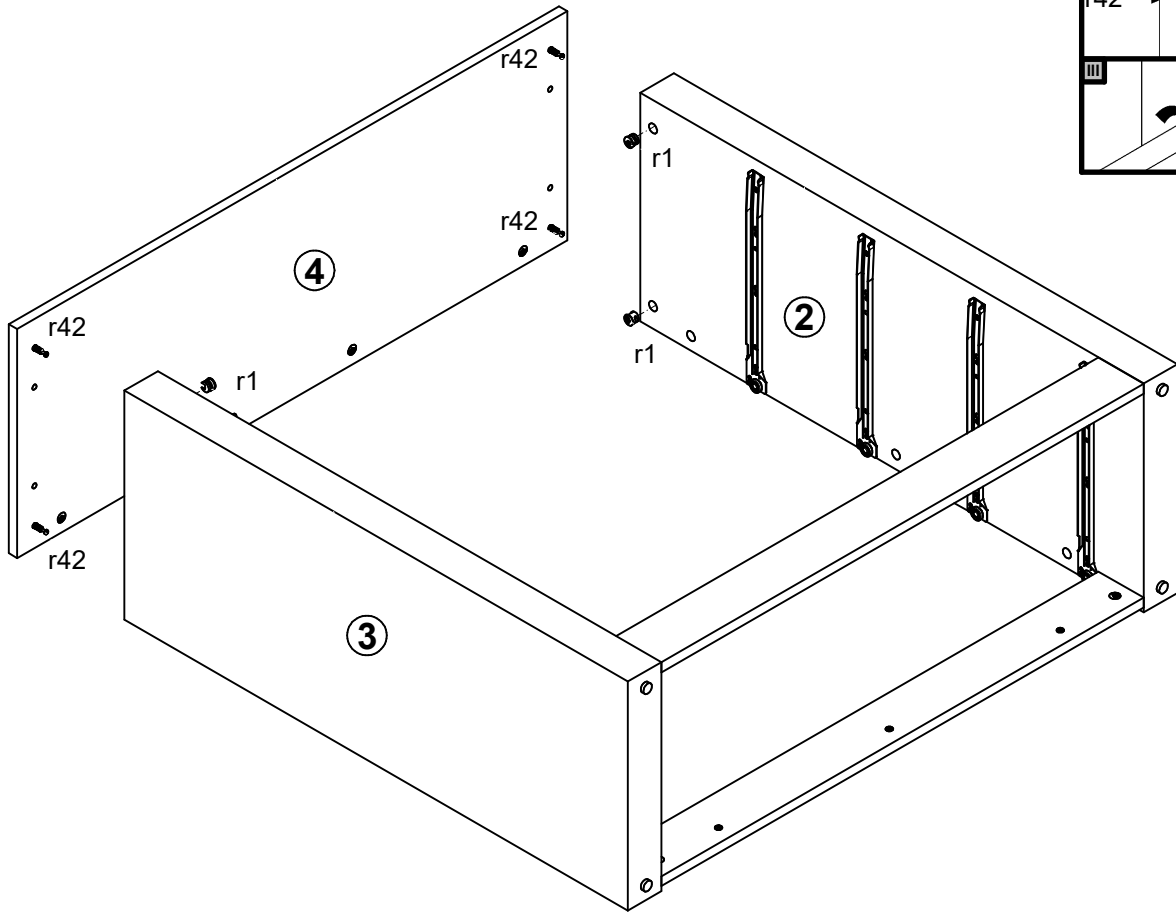
1 



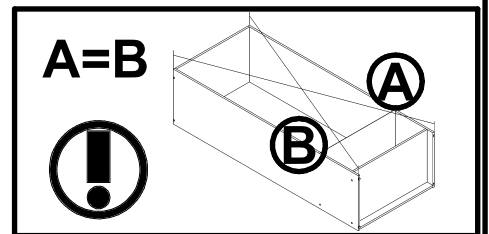
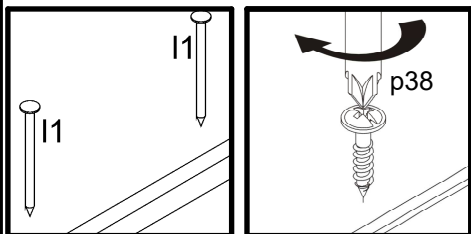
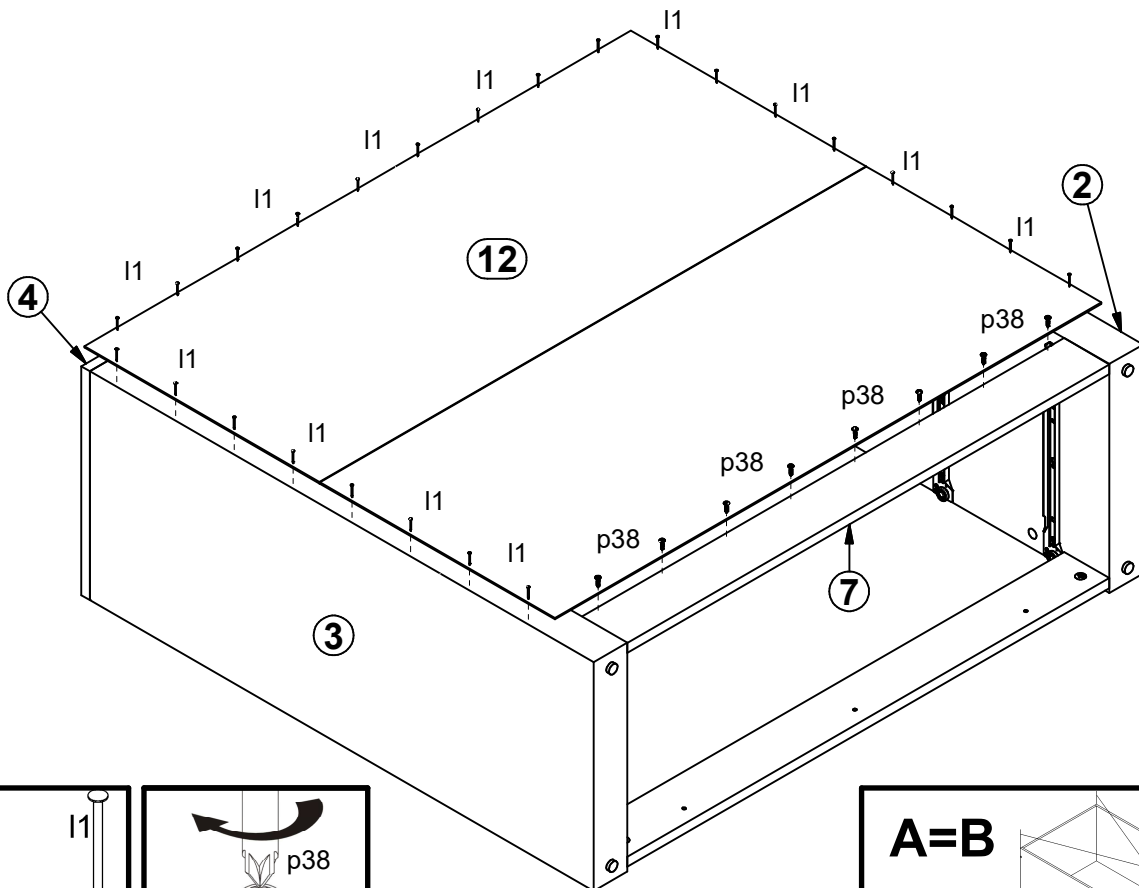
2 



3

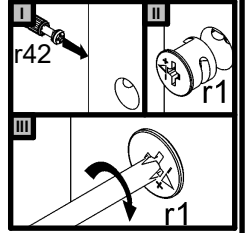
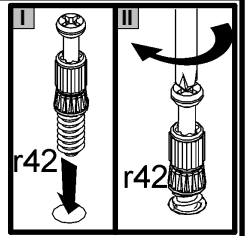
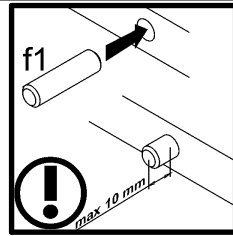
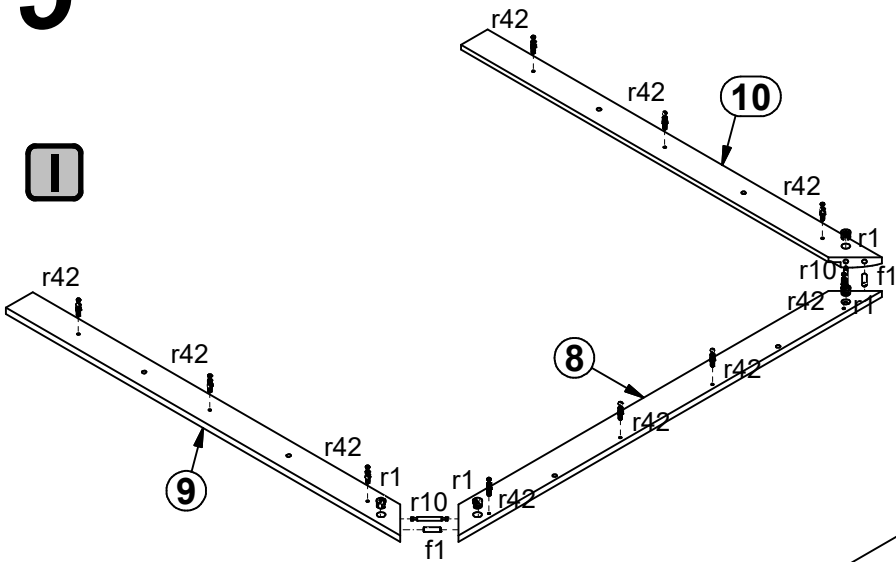


4

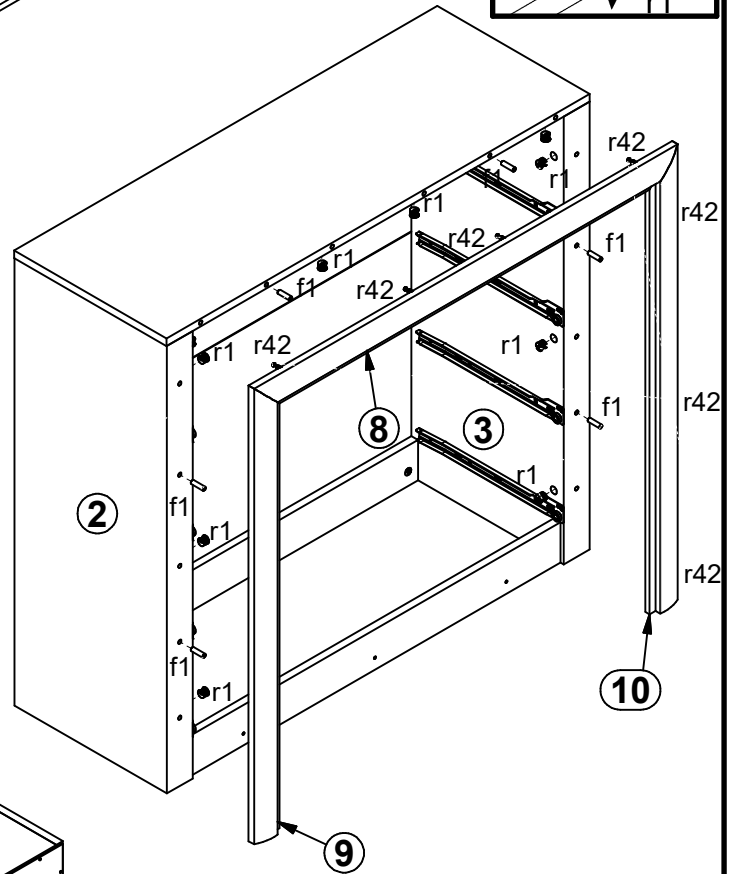
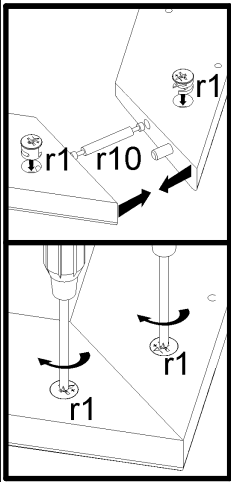


5

I



II



III

