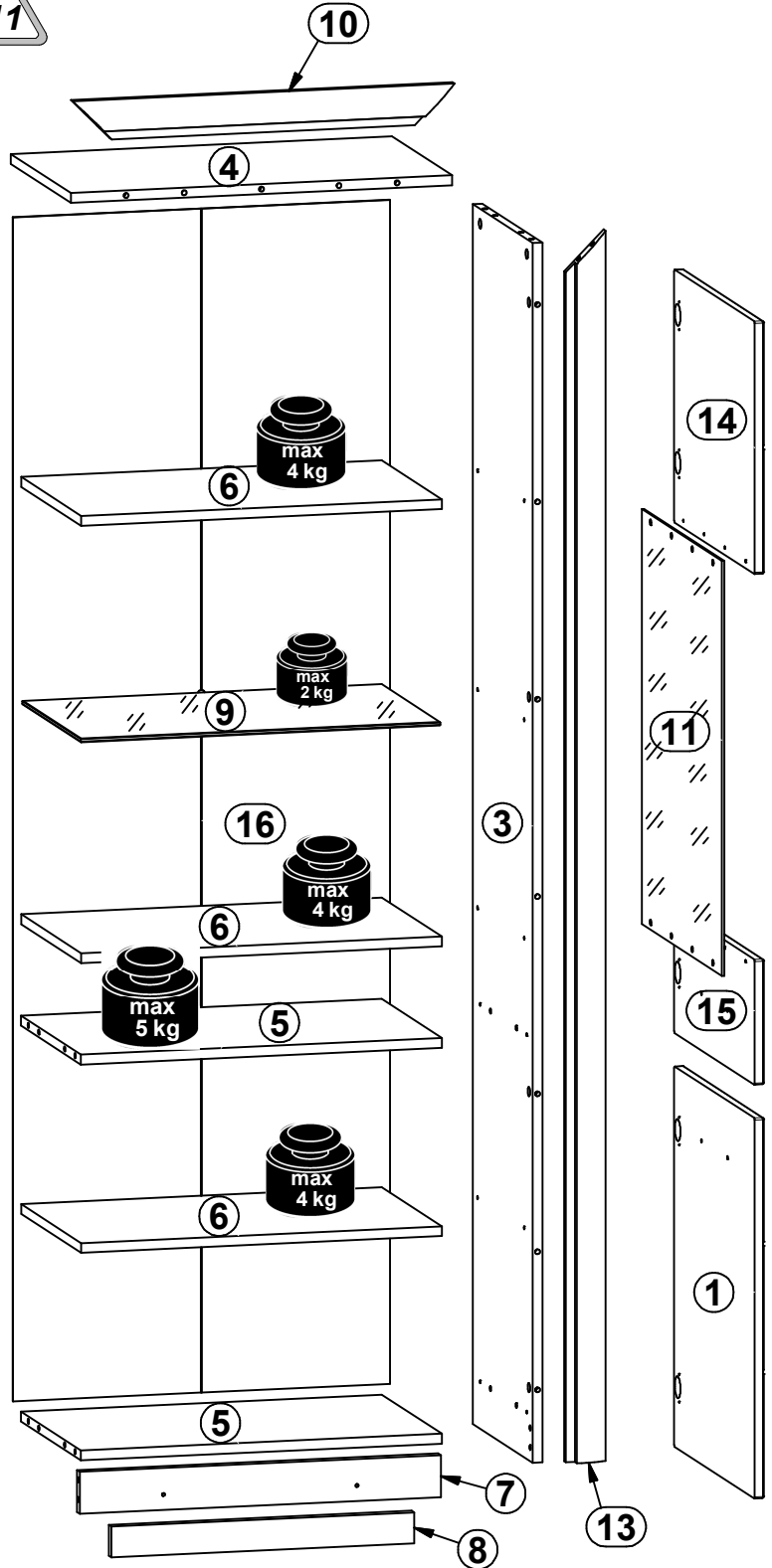
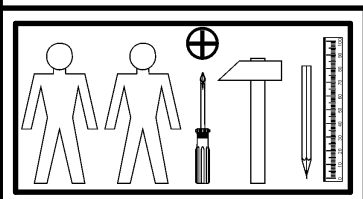
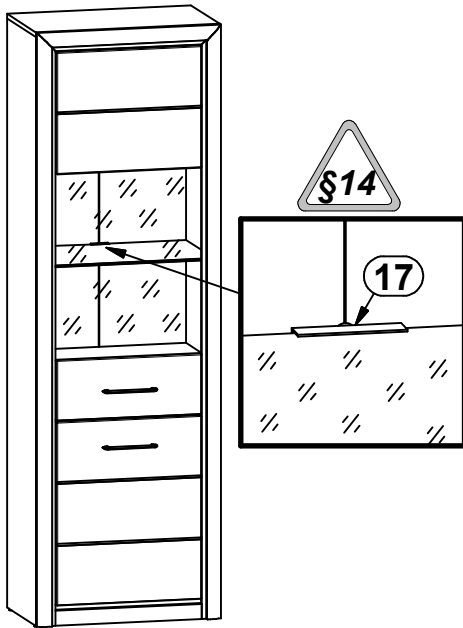


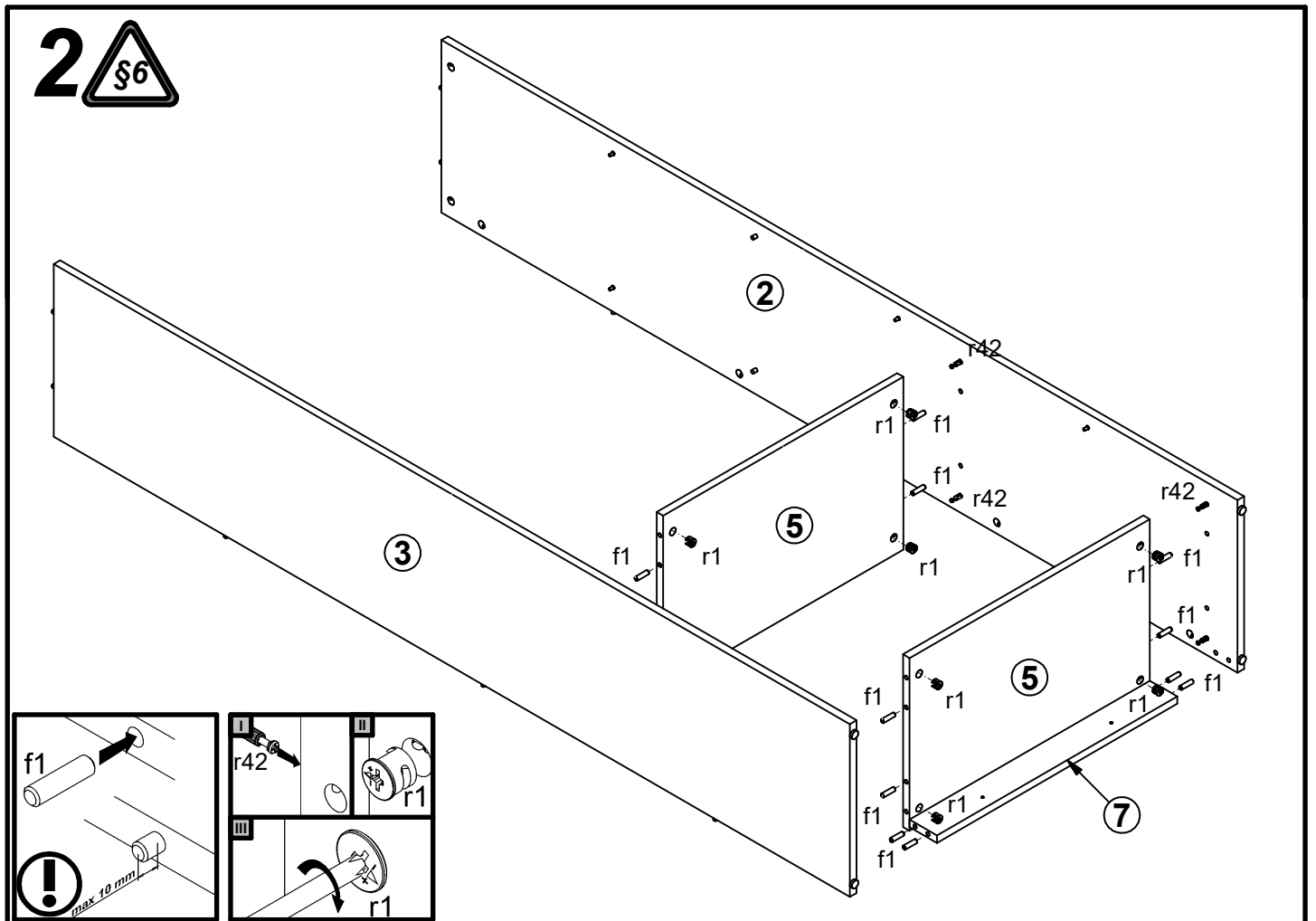
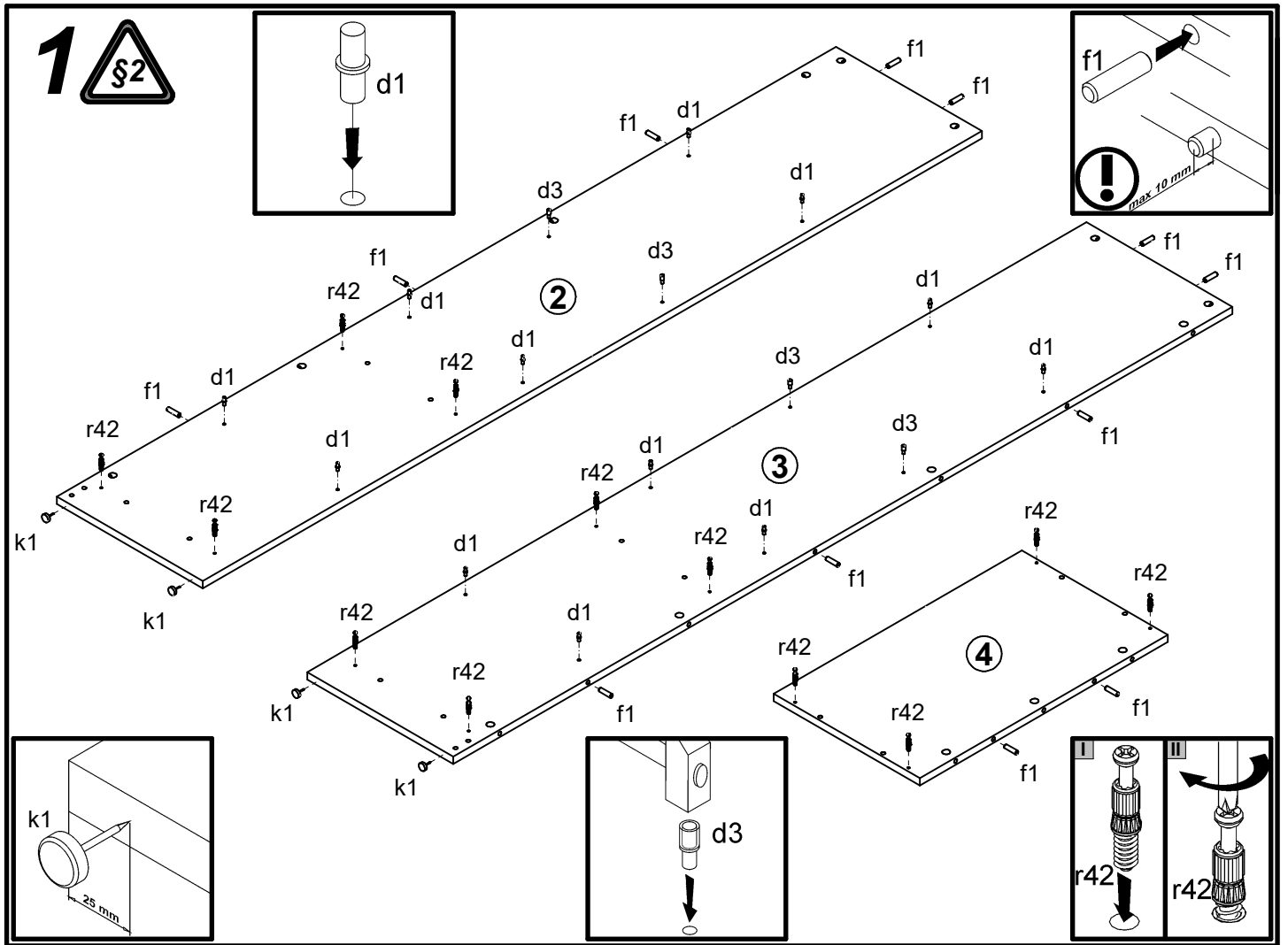
A	B	C	D	
1	S337-0005	496	617	5/5
2	S337-1014	1978	371	1/5
3	S337-1015	1978	371	1/5
4	S337-2005	630	371	2/5
5	S337-3007	597	371	2/5
6	S337-3008	596	371	2/5
7	S337-4011	597	68	2/5
8	S337-4012	501	50	2/5
9	S337-5012	595	360	4/5
10	S337-5013	631	65	3/5
11	S337-5014	673	494	4/5
12	S337-5015	1995	65	3/5
13	S337-5016	1995	65	3/5
14	S337-7010	496	410	5/5
15	S337-7011	496	203	5/5
16	S337-9305	1920	623	1/5



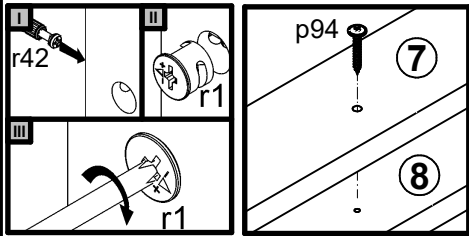
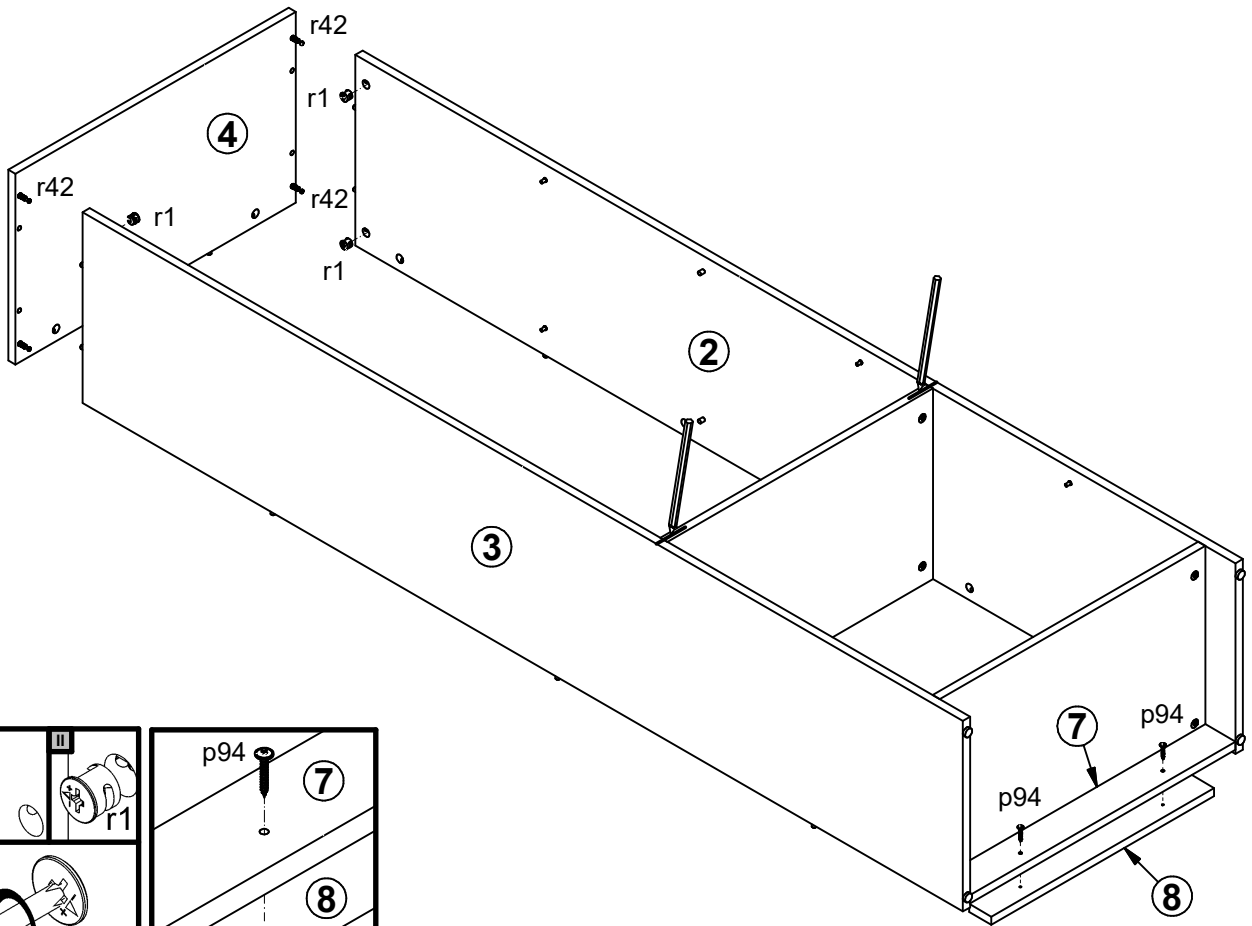
A	B	C	D
17	qb20\1_F-BI		1/1



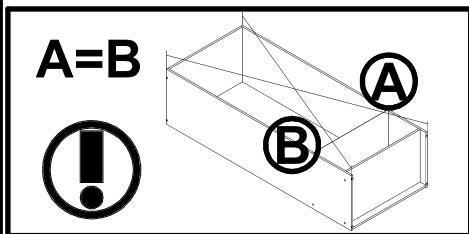
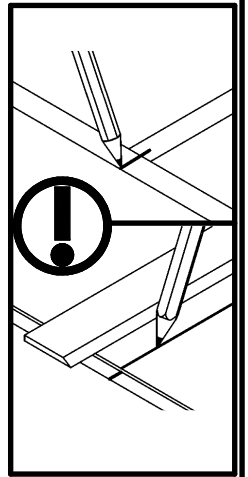
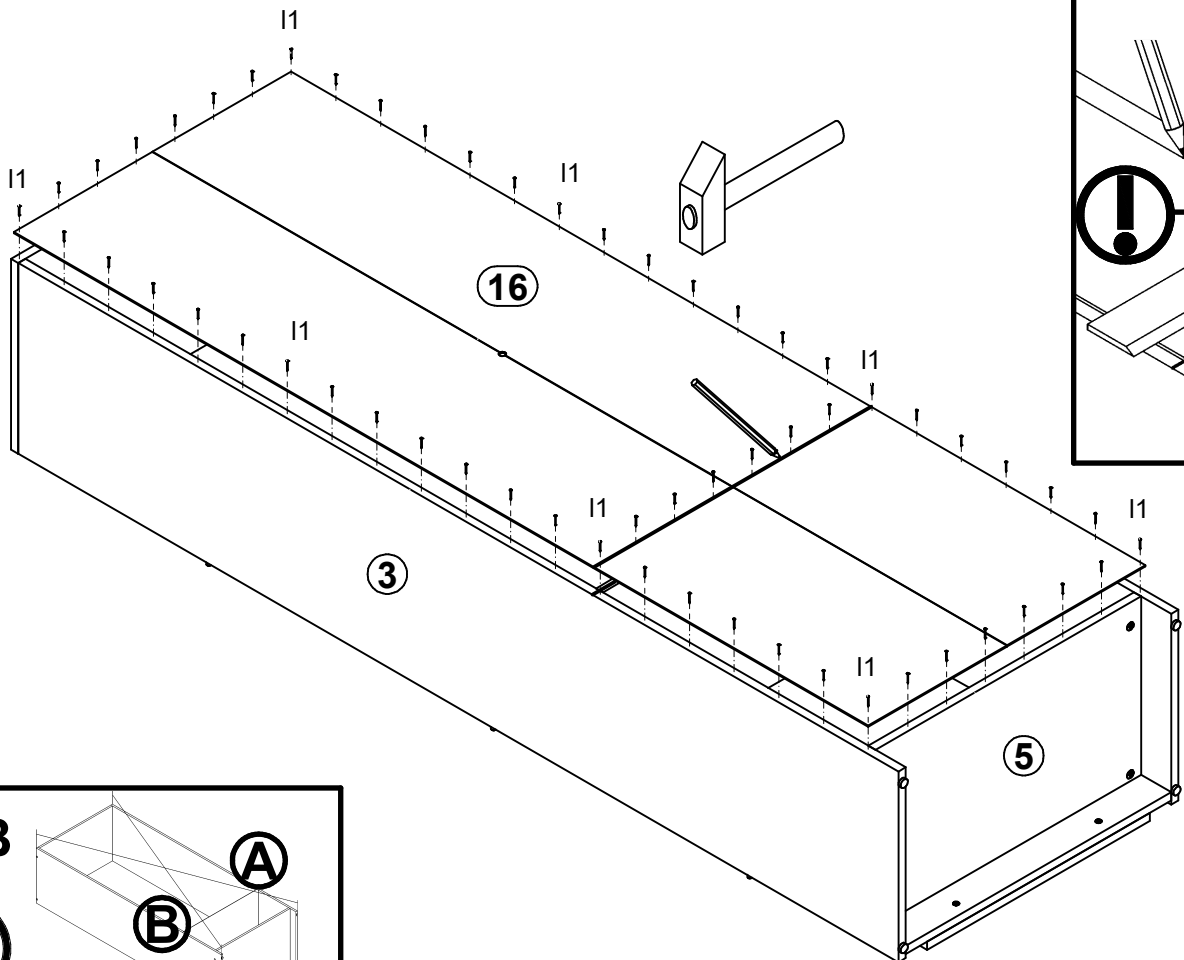
5x a99	5x b43	2x c431	12x d1	4x d3	10x e2	8x e47	26x f1	4x j30
4x k1	50x l1	1x n26	8x o54	1x p38	10x p51	2x p94	27x r1	2x r10
23x r42	12x s2							



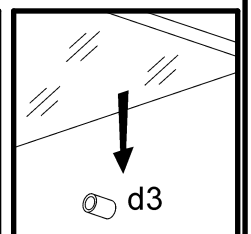
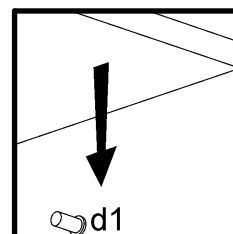
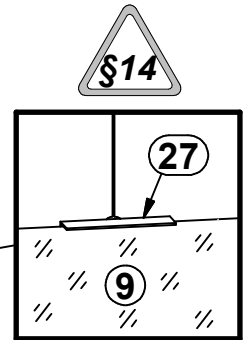
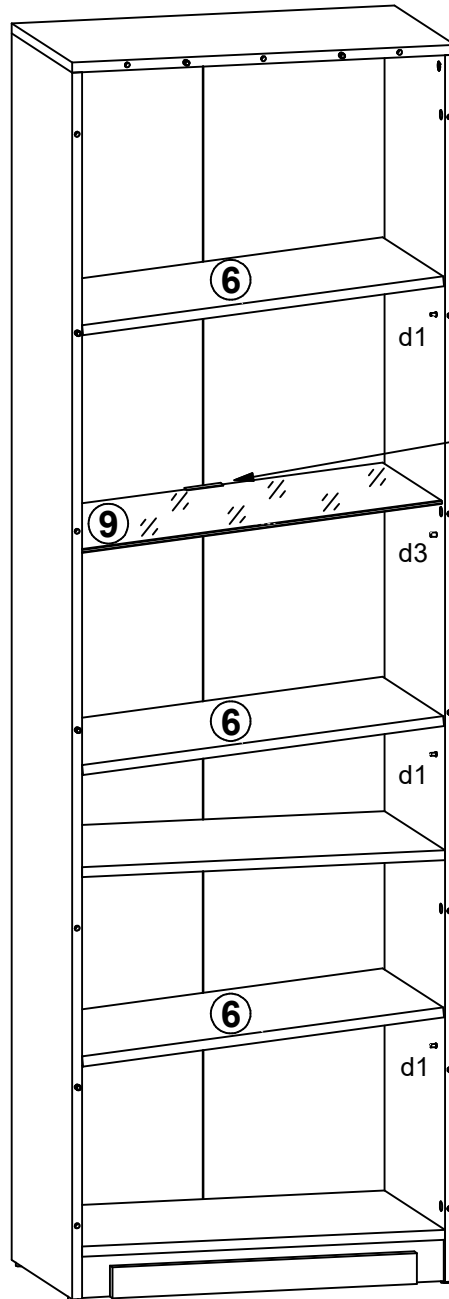
# 3



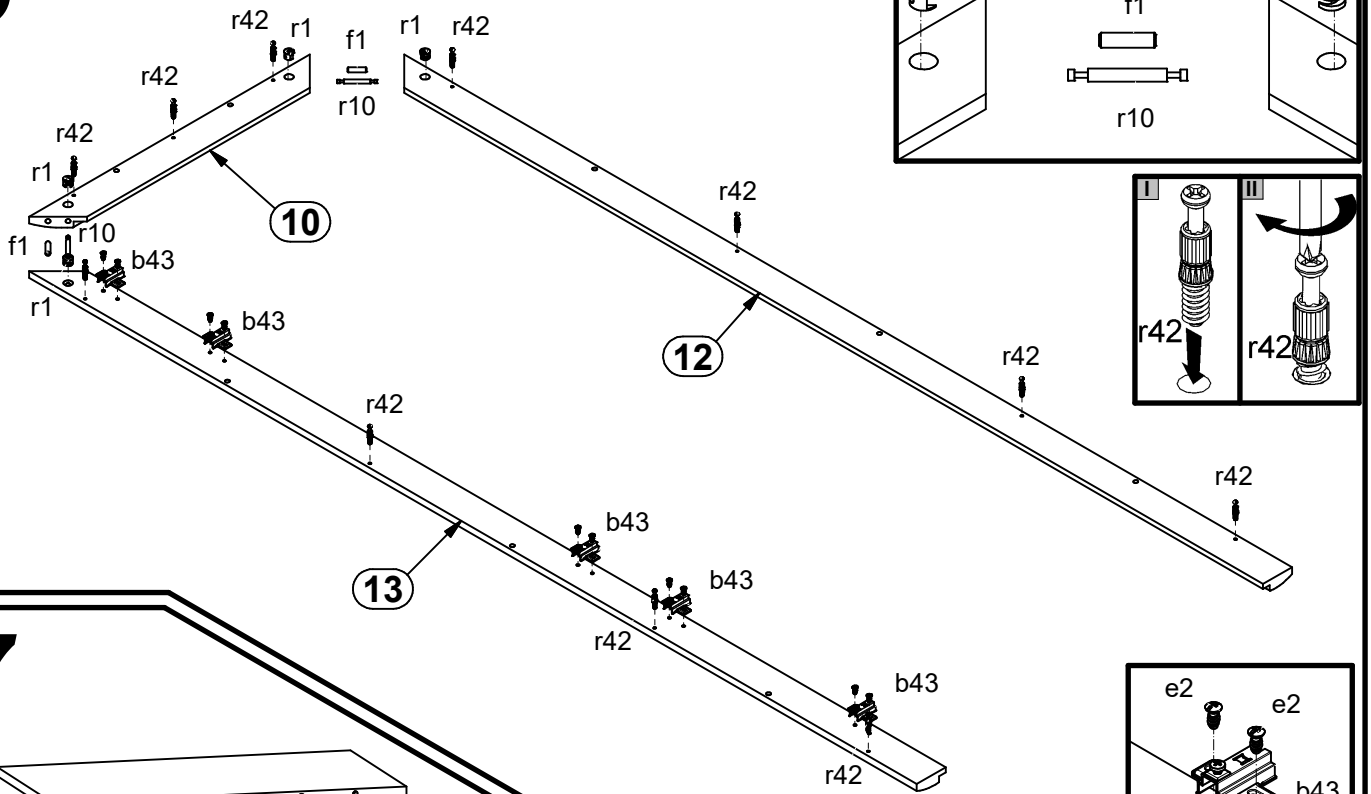
# 4



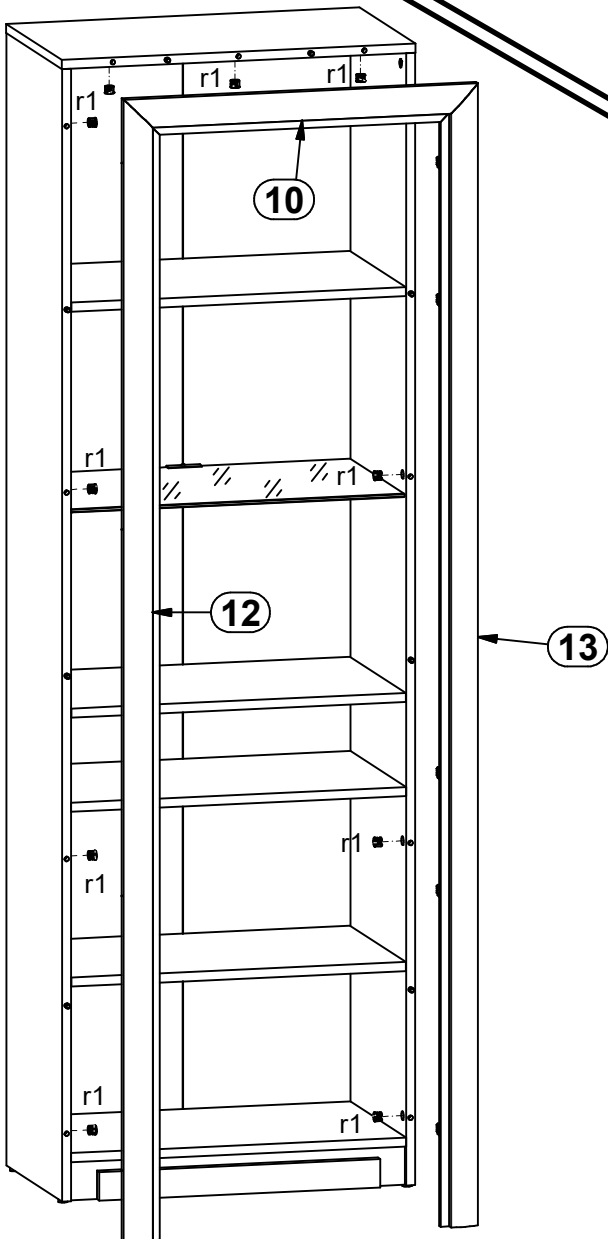
# 5



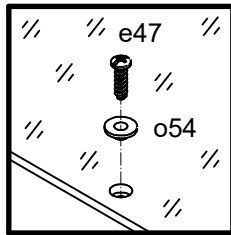
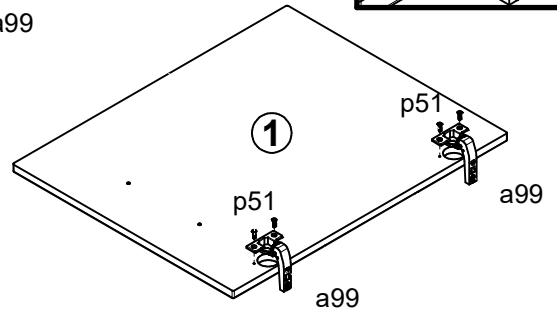
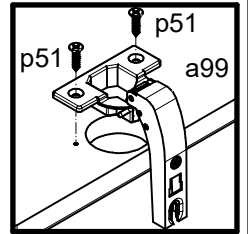
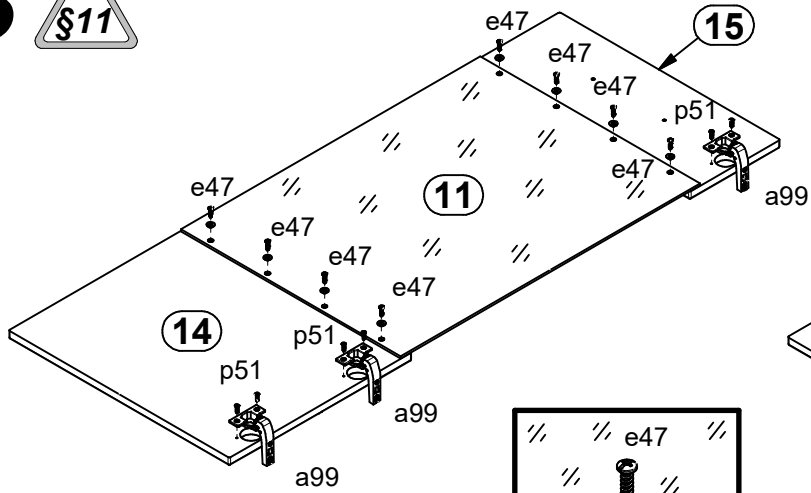
# 6



# 7



# 8



# 9

