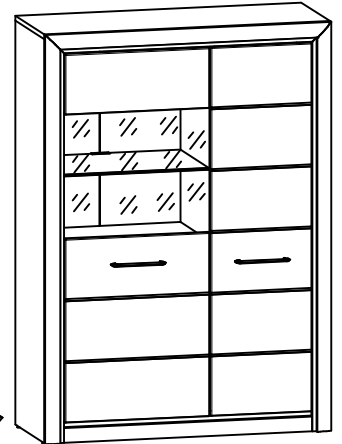


**A**

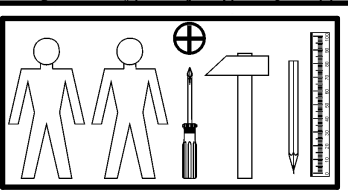
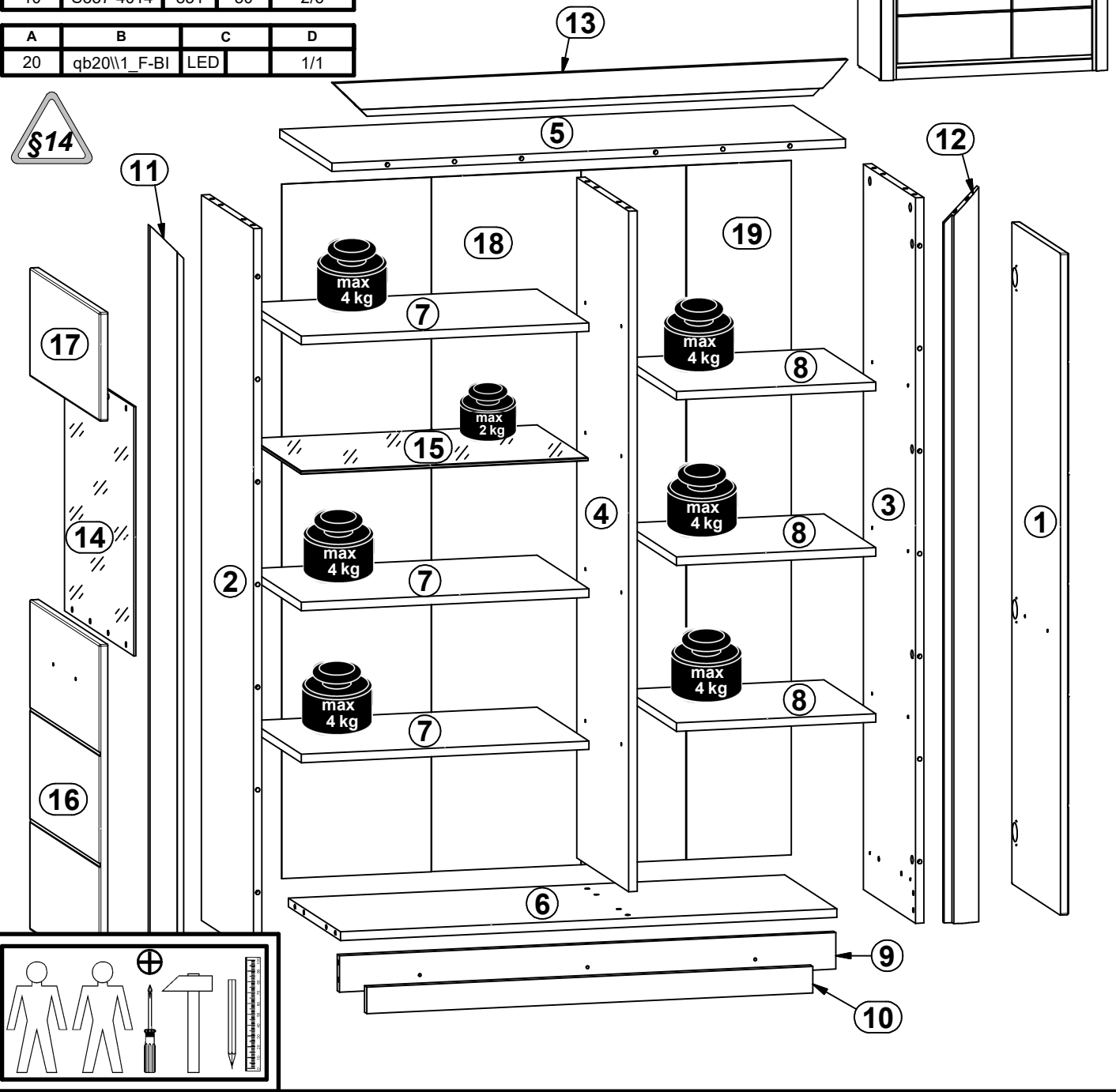
# KOEN 2

**S337-REG1D1W/143**

A	B	C	D	A	B	C	D		
1	S337-0010	346	1238	6/6	11	S337-5017	1374	65	3/6
2	S337-1016	1357	371	1/6	12	S337-5018	1374	65	3/6
3	S337-1017	1357	371	1/6	13	S337-5019	981	65	3/6
4	S337-1018	1273	371	1/6	14	S337-5020	466	494	4/6
5	S337-2006	980	371	2/6	15	S337-5021	548	360	4/6
6	S337-3009	947	371	2/6	16	S337-7017	496	617	5/6
7	S337-3010	549	370	2/6	17	S337-7018	496	203	5/6
8	S337-3011	380	370	2/6	18	S337-9306	1299	571	1/6
9	S337-4013	947	68	2/6	19	S337-9307	1299	401	1/6
10	S337-4014	851	50	2/6					

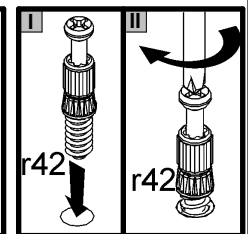
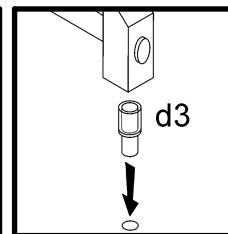
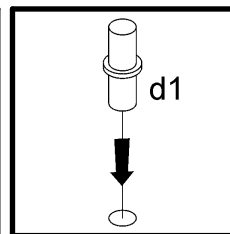
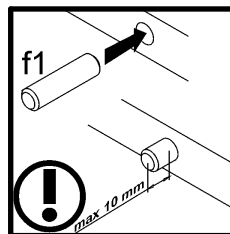
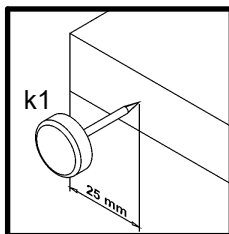
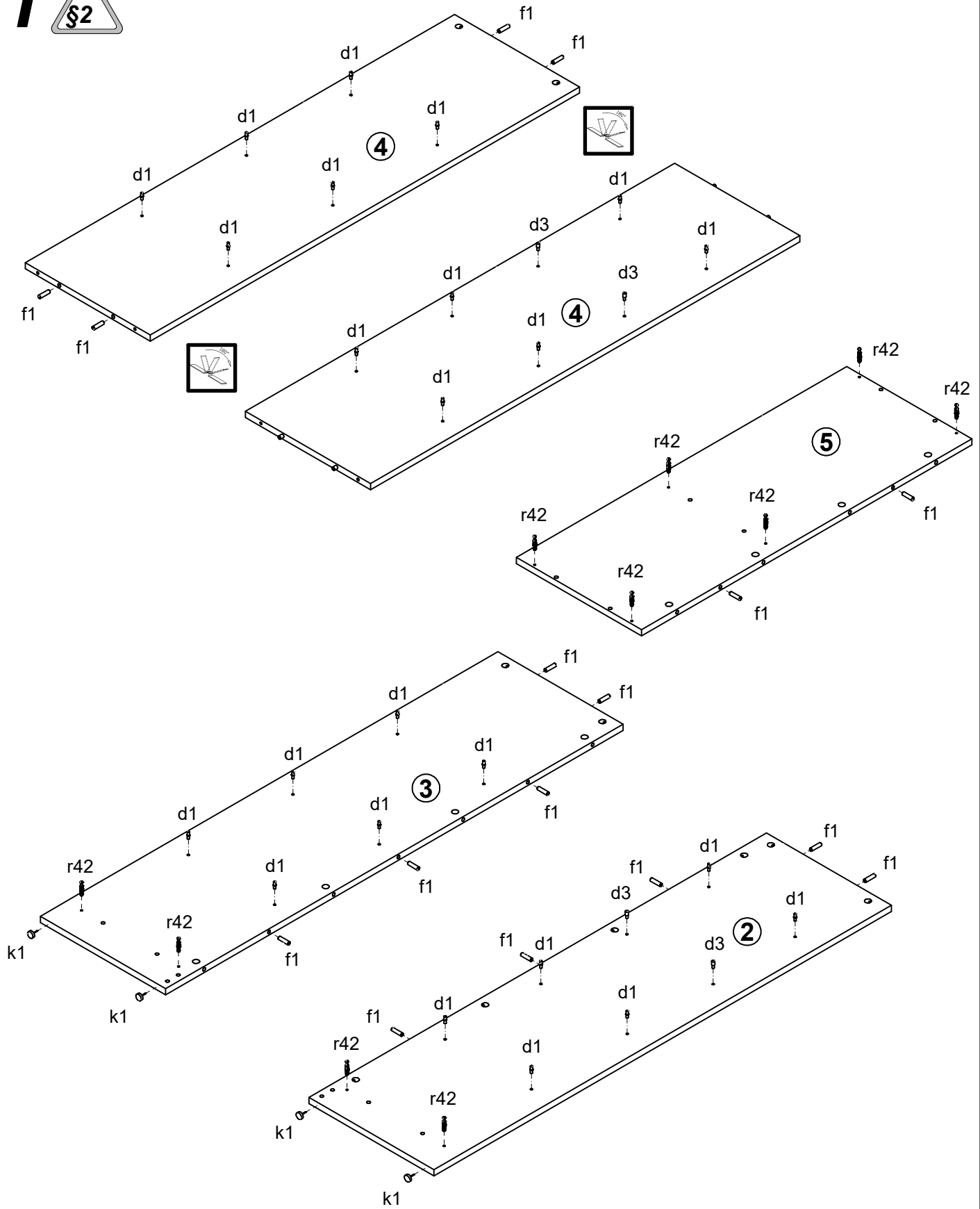


A	B	C	D
20	qb20\1_F-BI	LED	1/1

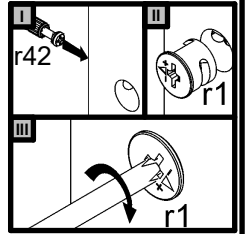
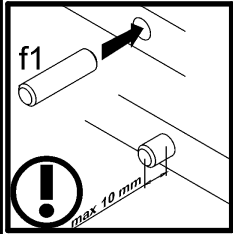
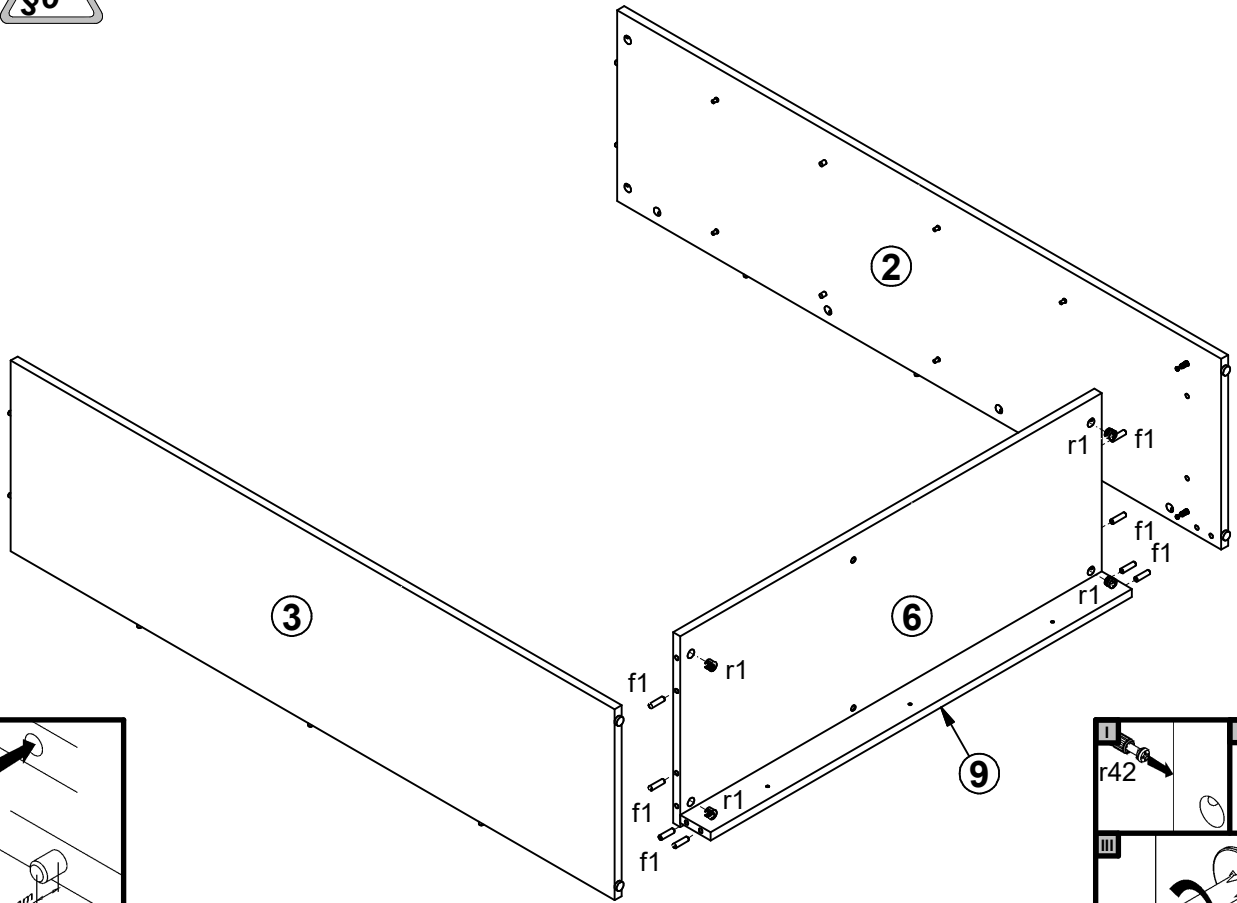


6x a99	6x b43	2x c431	24x d1	4x d3	2x e1	12x e2	8x e47	26x f1
4x j30	4x k1	70x l1	1x n26	8x o54	1x p38	12x p51	3x p94	26x r1
2x r10	22x r42	18x s2	1x z1					

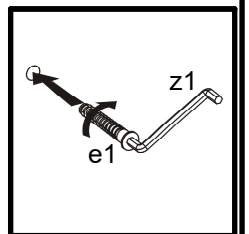
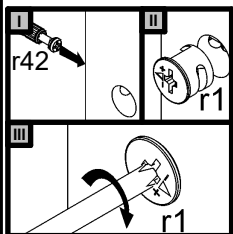
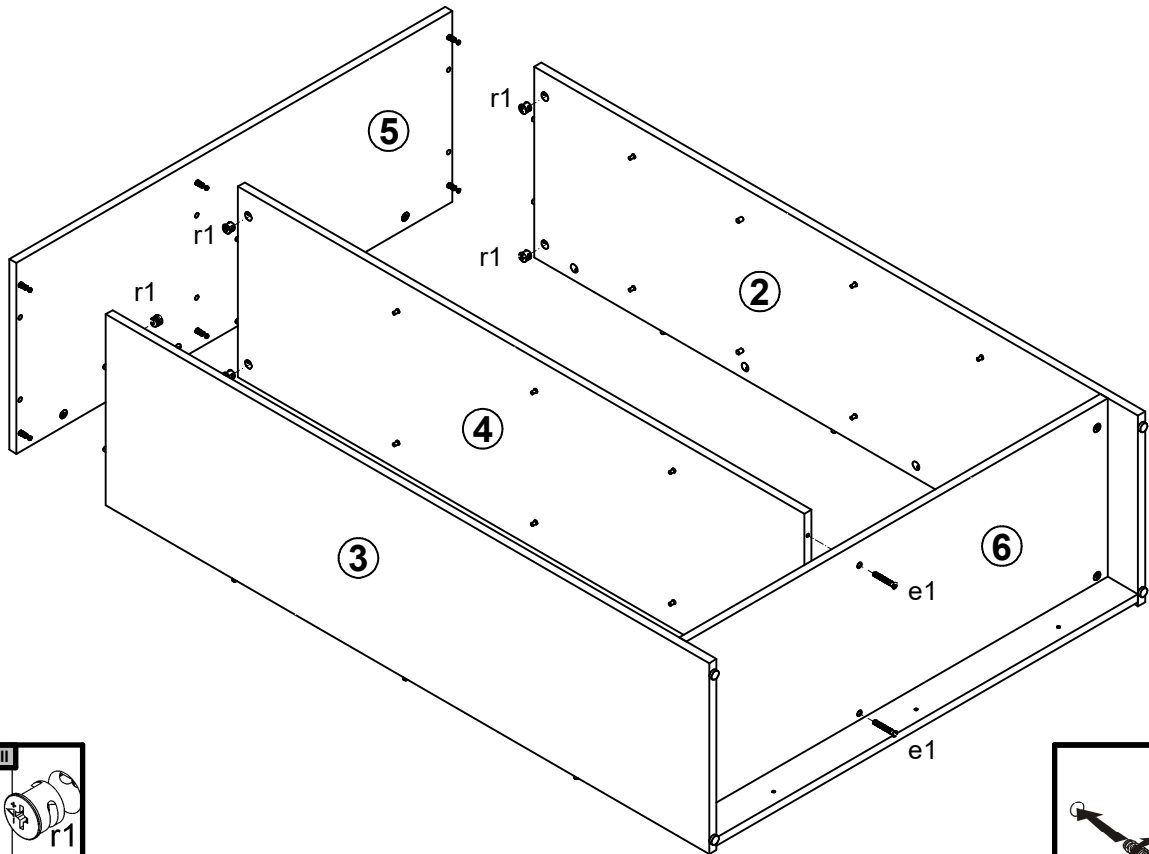
**1** 



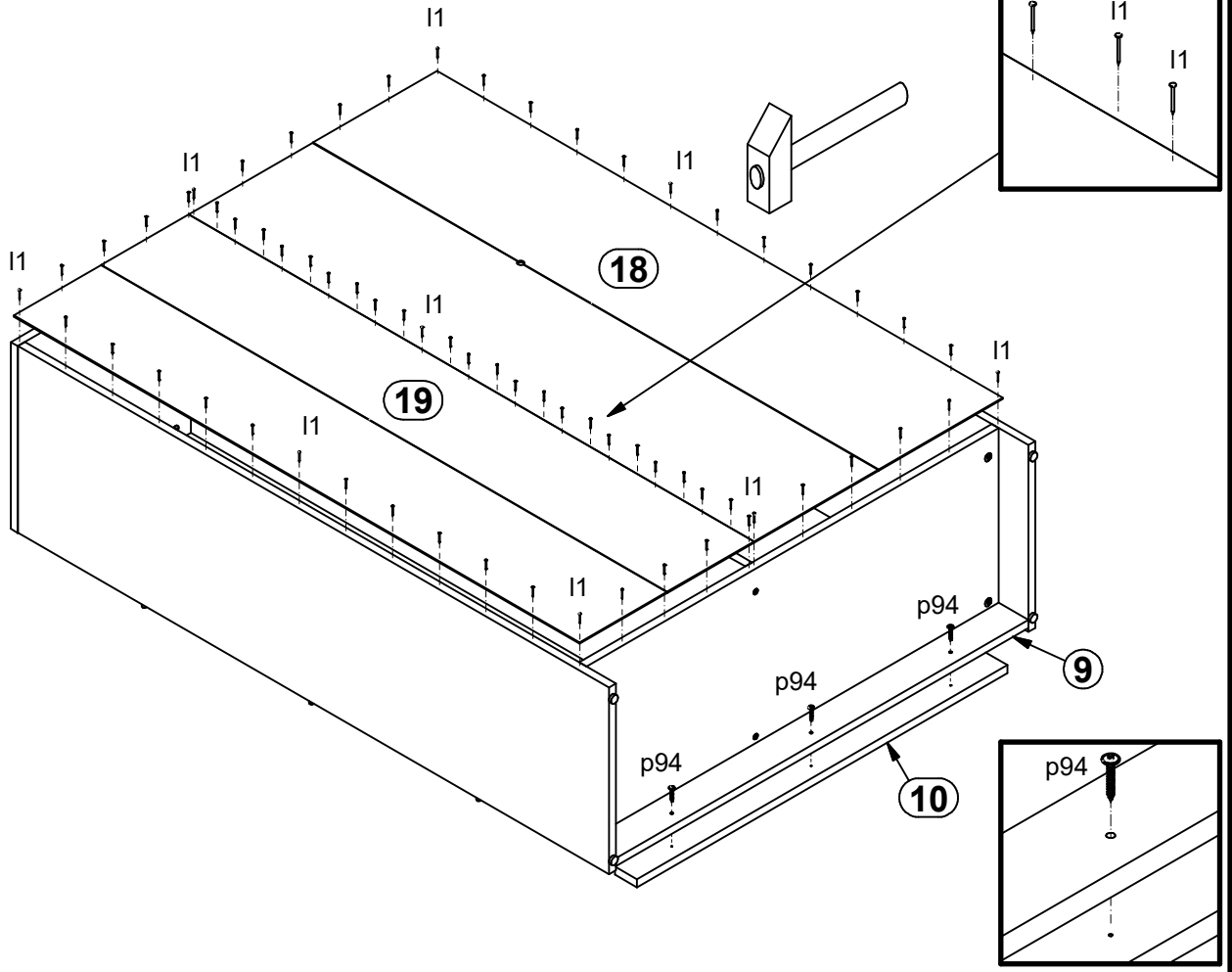
# 2



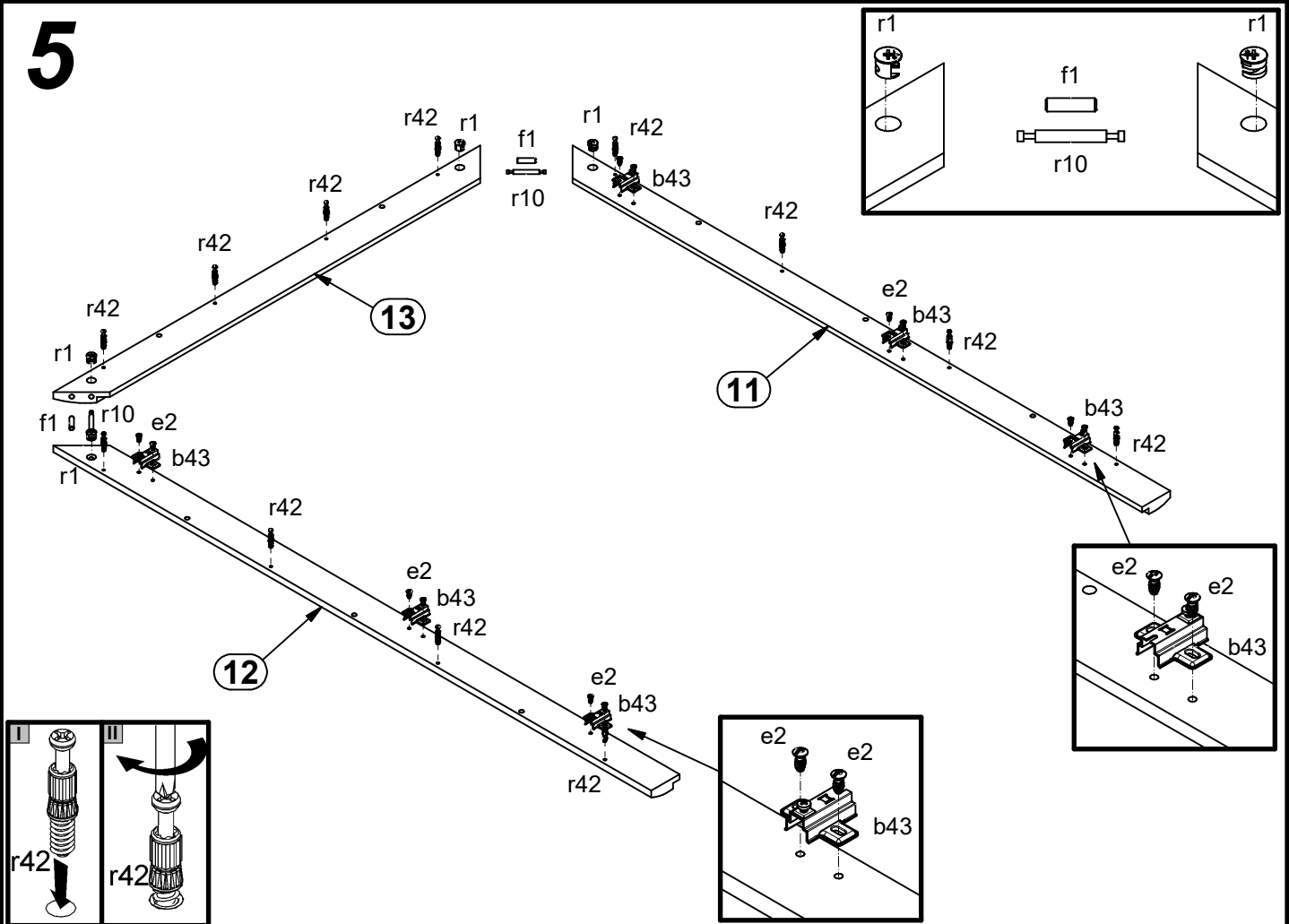
# 3



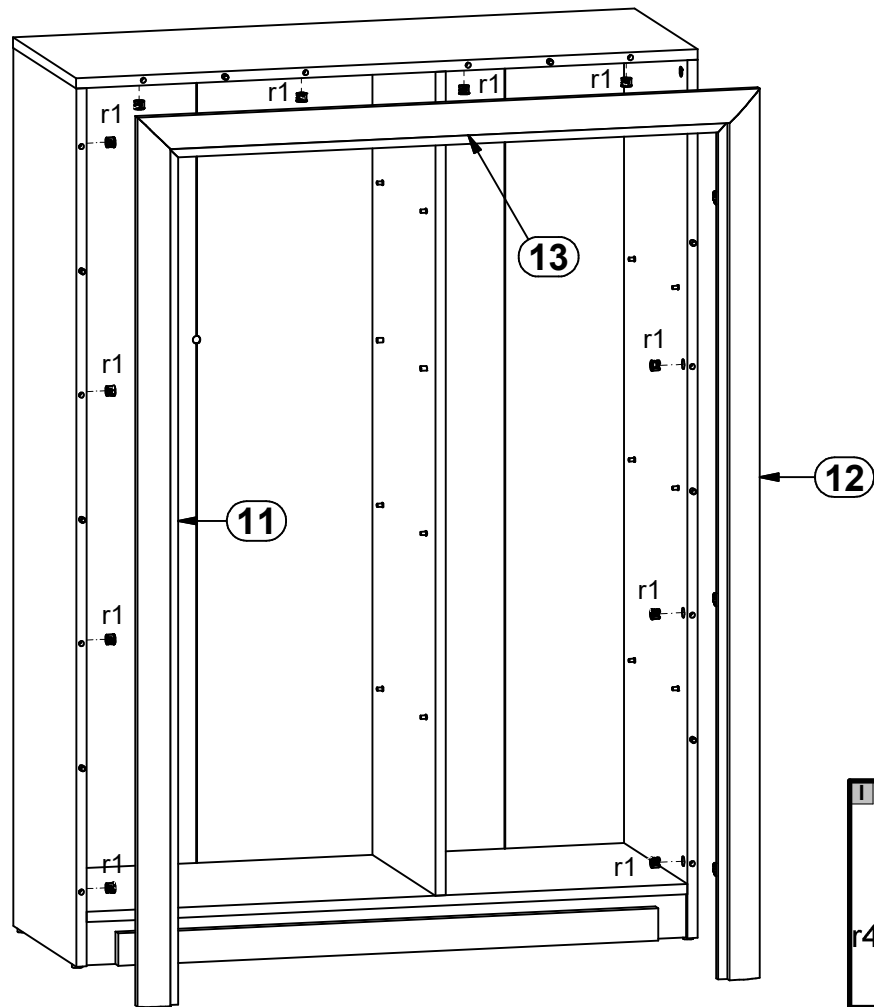
# 4



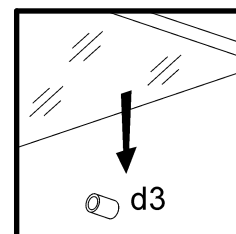
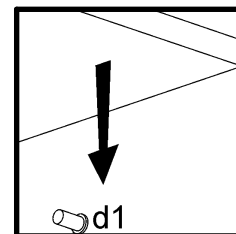
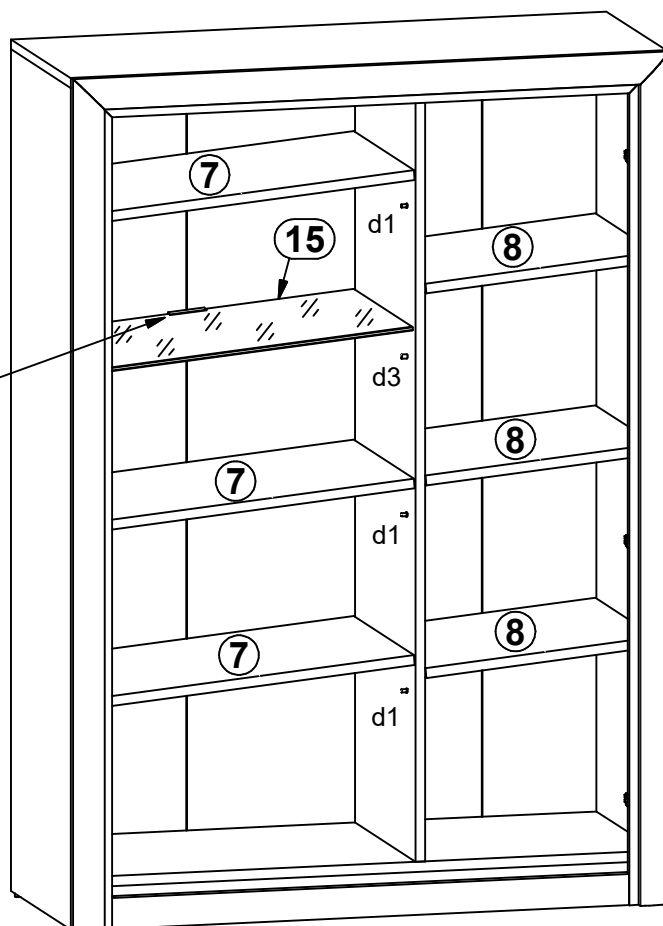
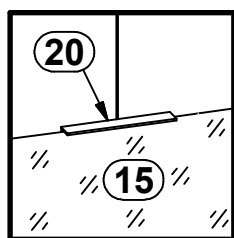
# 5



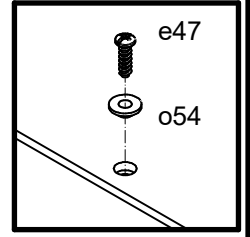
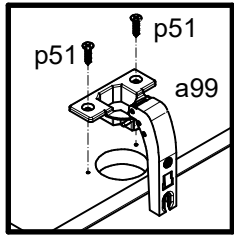
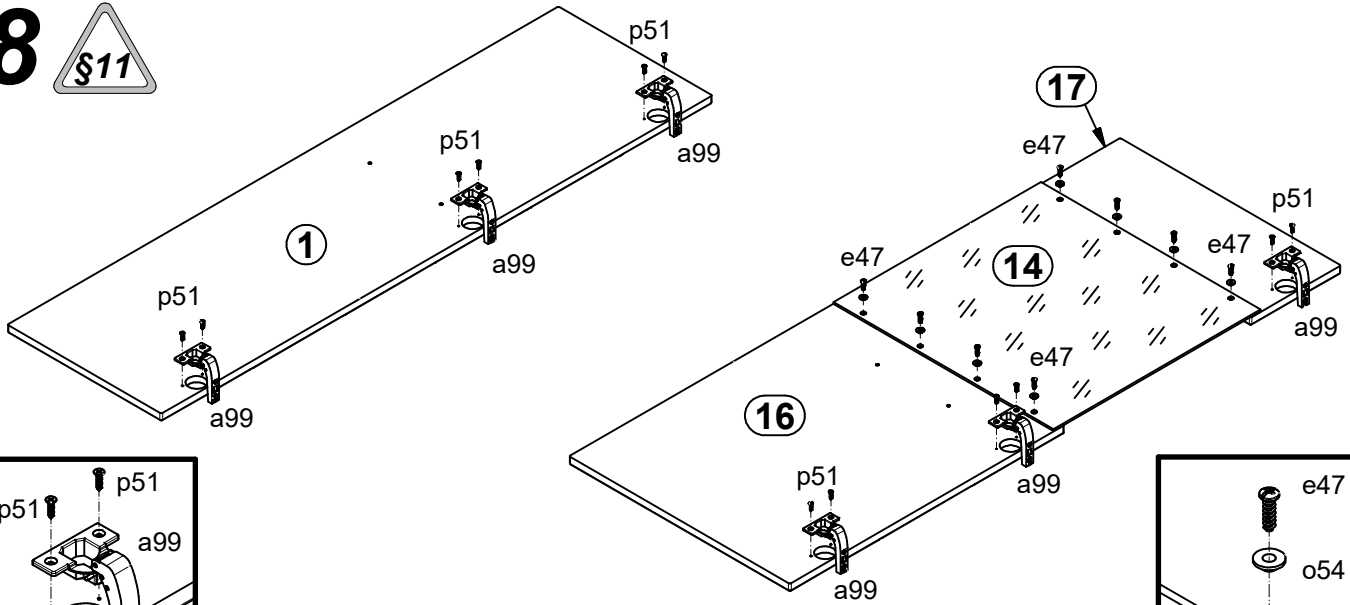
# 6



# 7



# 8



# 9

