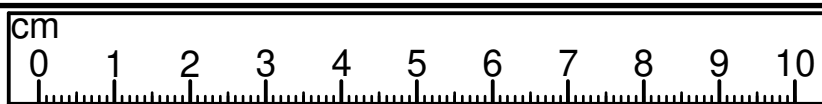
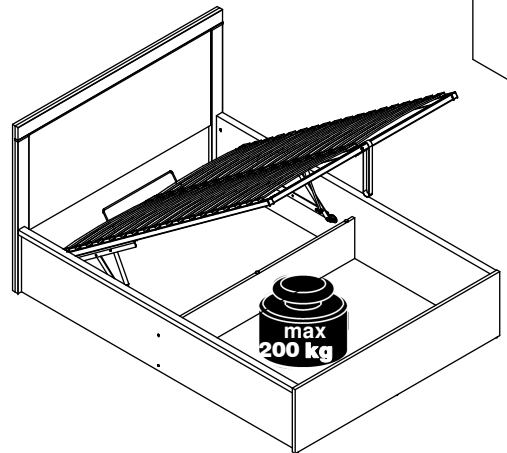
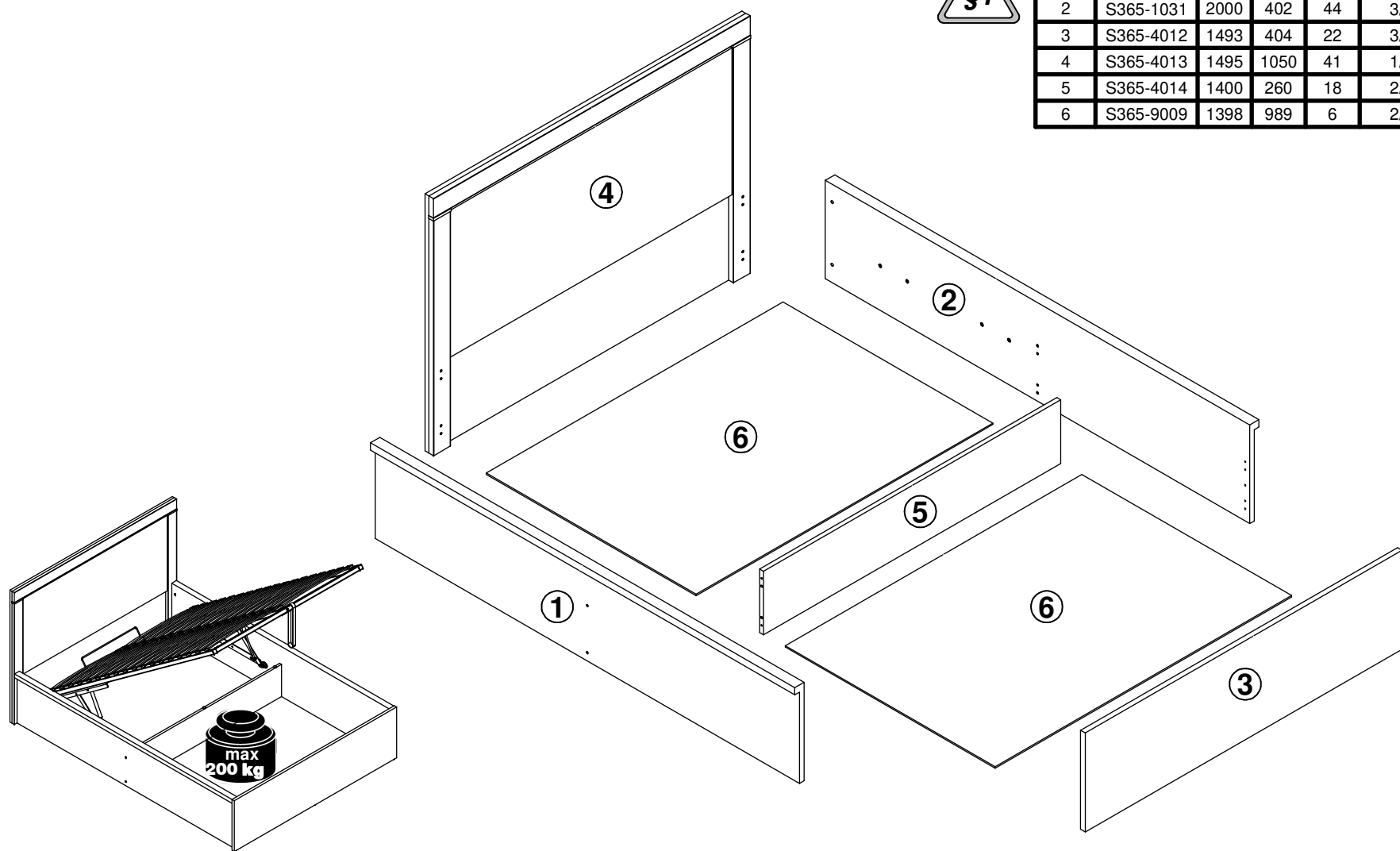
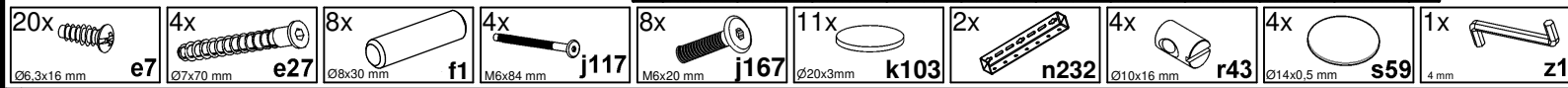
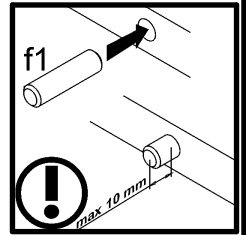
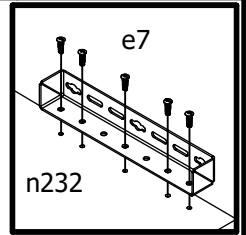
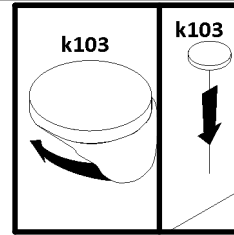
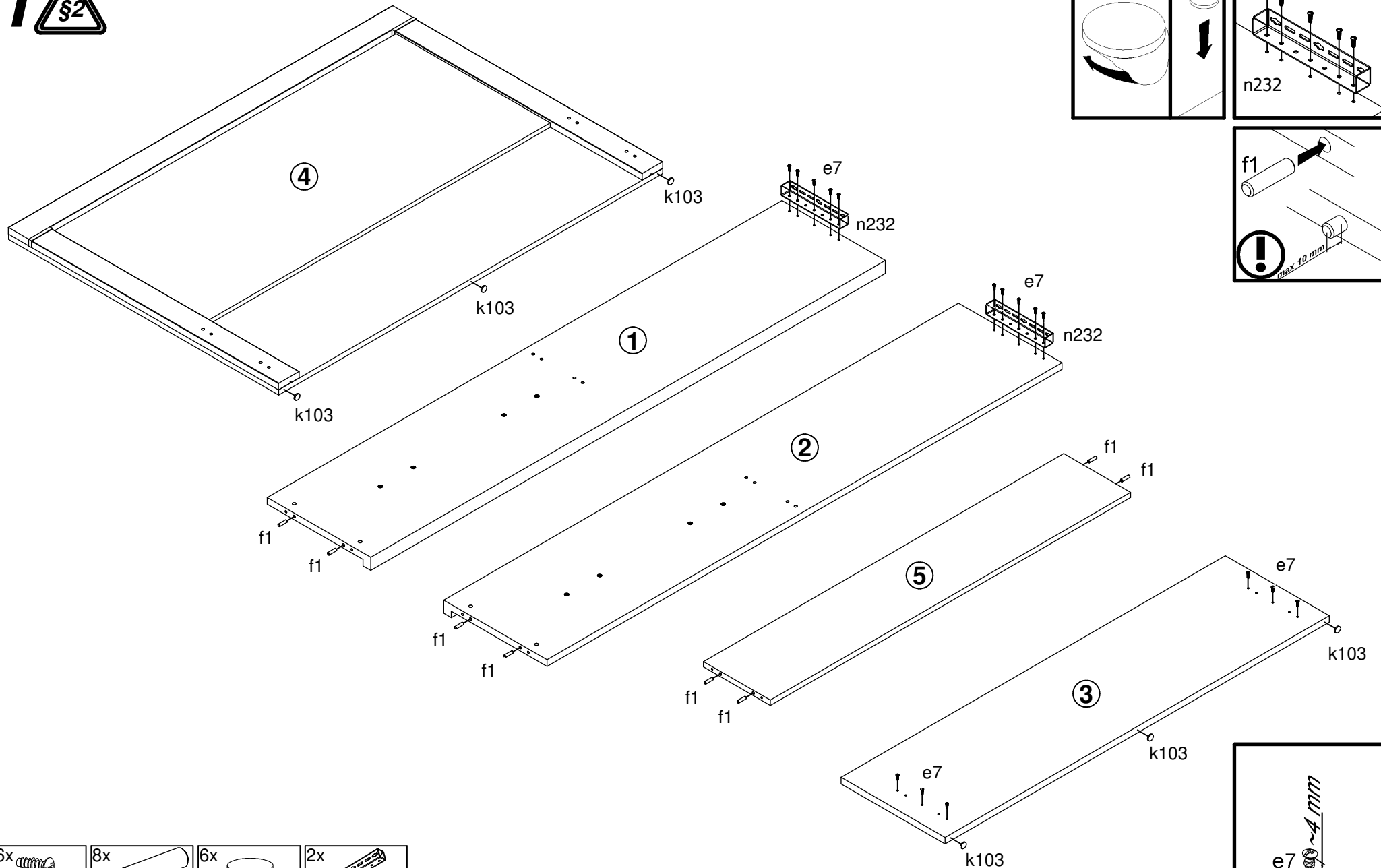


A	B	C (mm)			D
1	S365-1030	2000	402	44	3/5
2	S365-1031	2000	402	44	3/5
3	S365-4012	1493	404	22	3/5
4	S365-4013	1495	1050	41	1/5
5	S365-4014	1400	260	18	2/5
6	S365-9009	1398	989	6	2/5

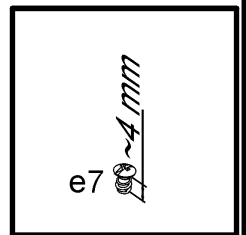


D
3/5



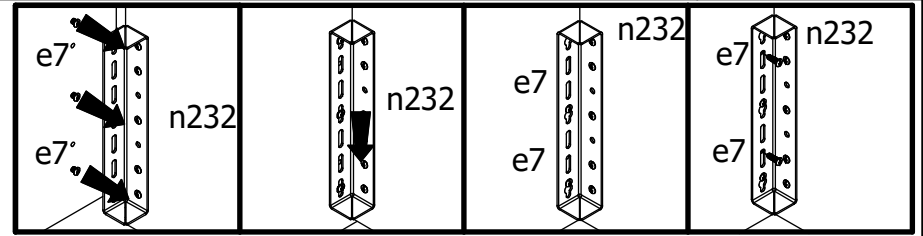
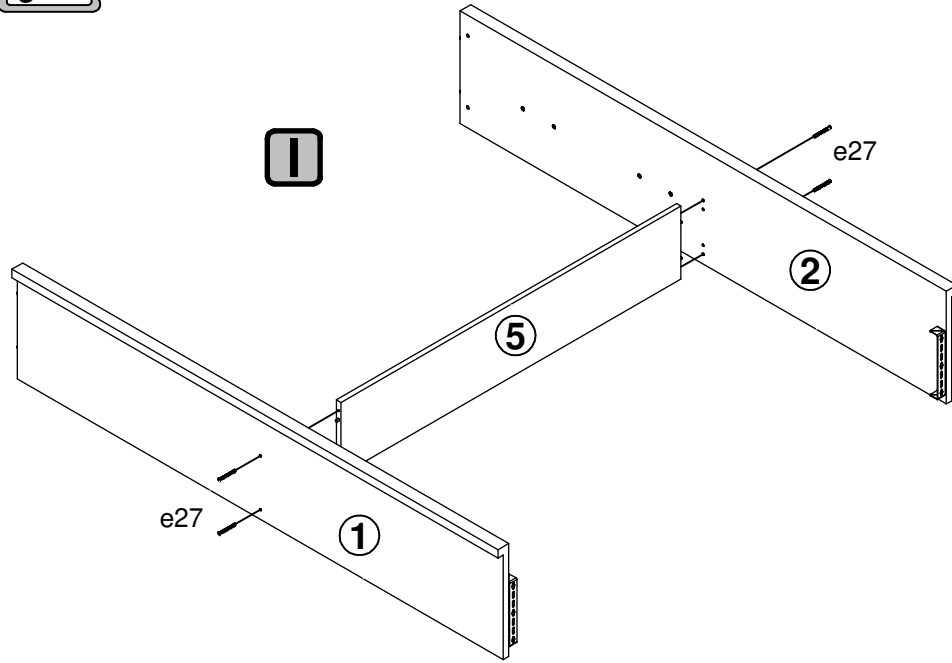


- 16x e7
ø6.3x16 mm
- 8x f1
ø8x30 mm
- 6x k103
ø20x3mm
- 2x n232

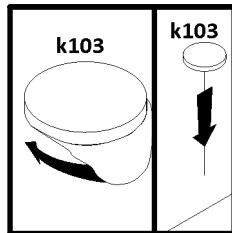
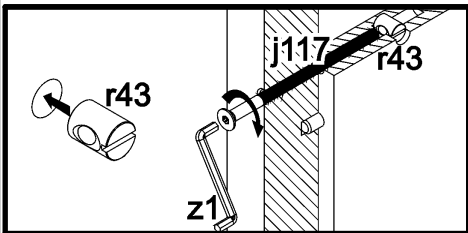
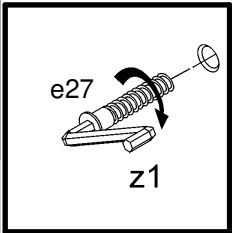
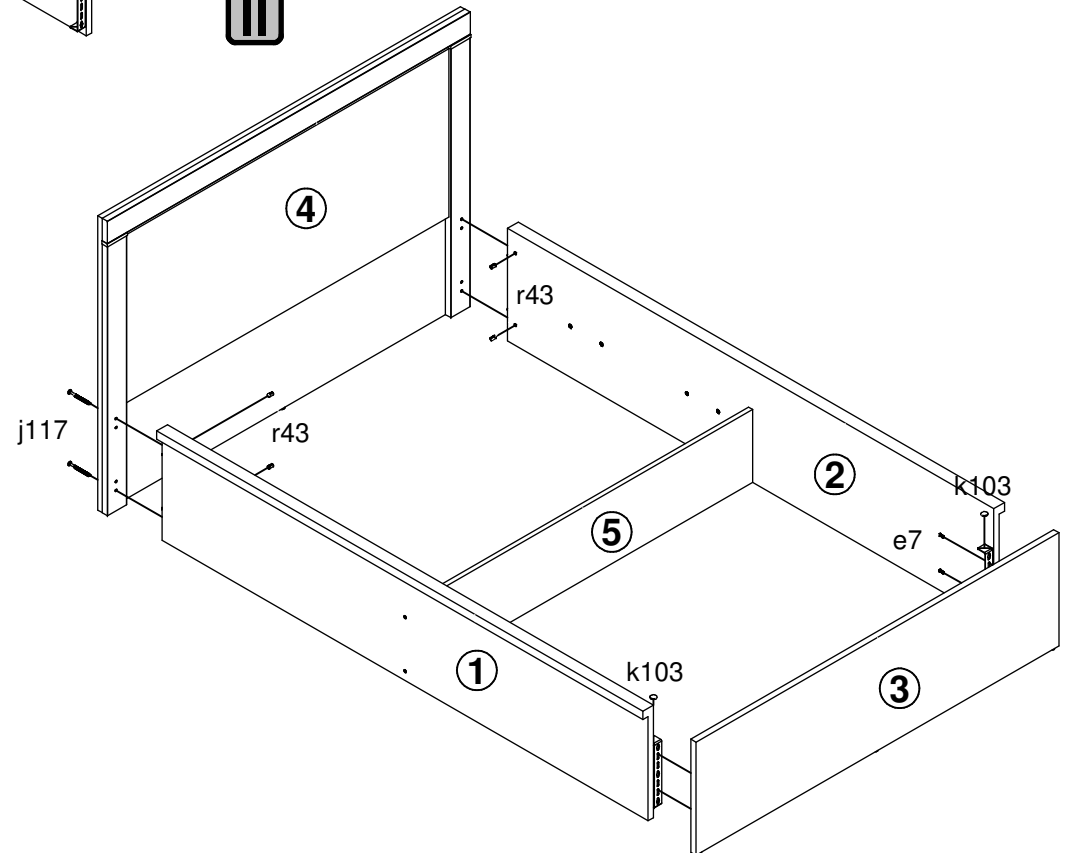







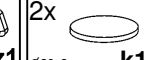
2 

I



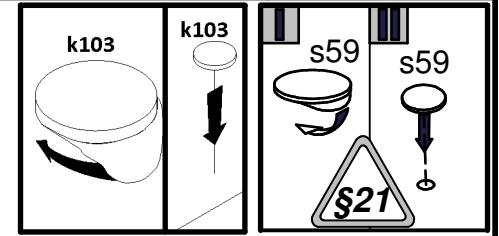
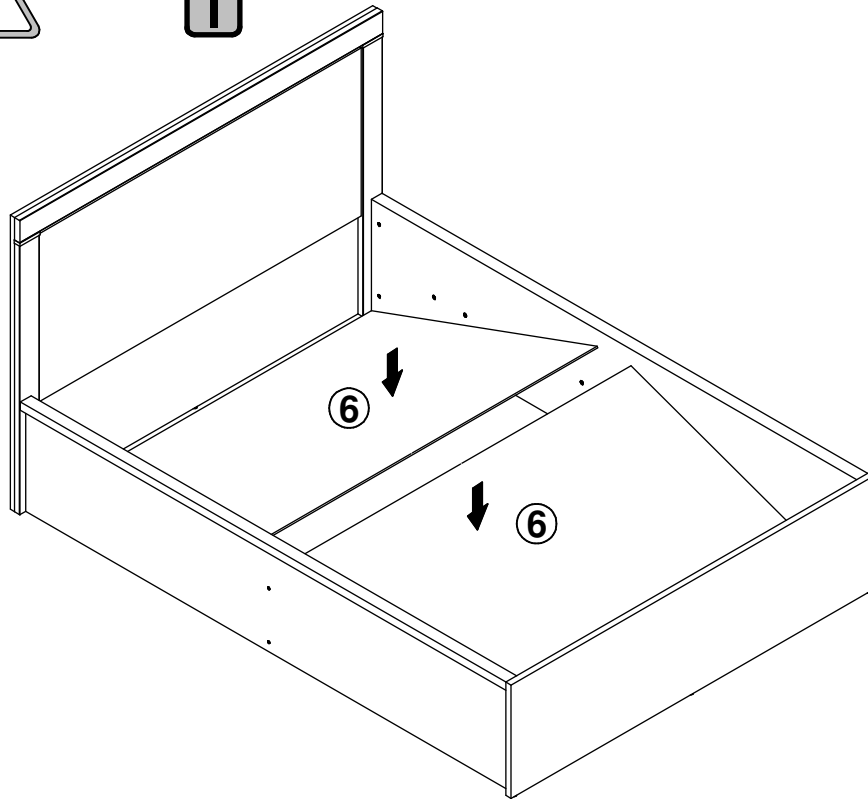
II



- 4x  **e27** Ø7x70 mm
- 4x  **e7** Ø6.3x16 mm
- 4x  **j117** M6x84 mm
- 4x  **r43** Ø10x16 mm
- 1x  **z1** 4 mm
- 2x  **k103** Ø20x3mm

3  S6

I



II

