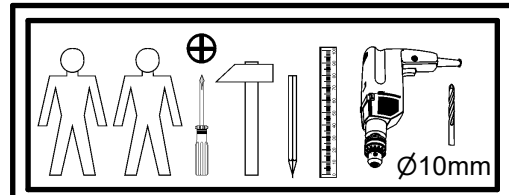
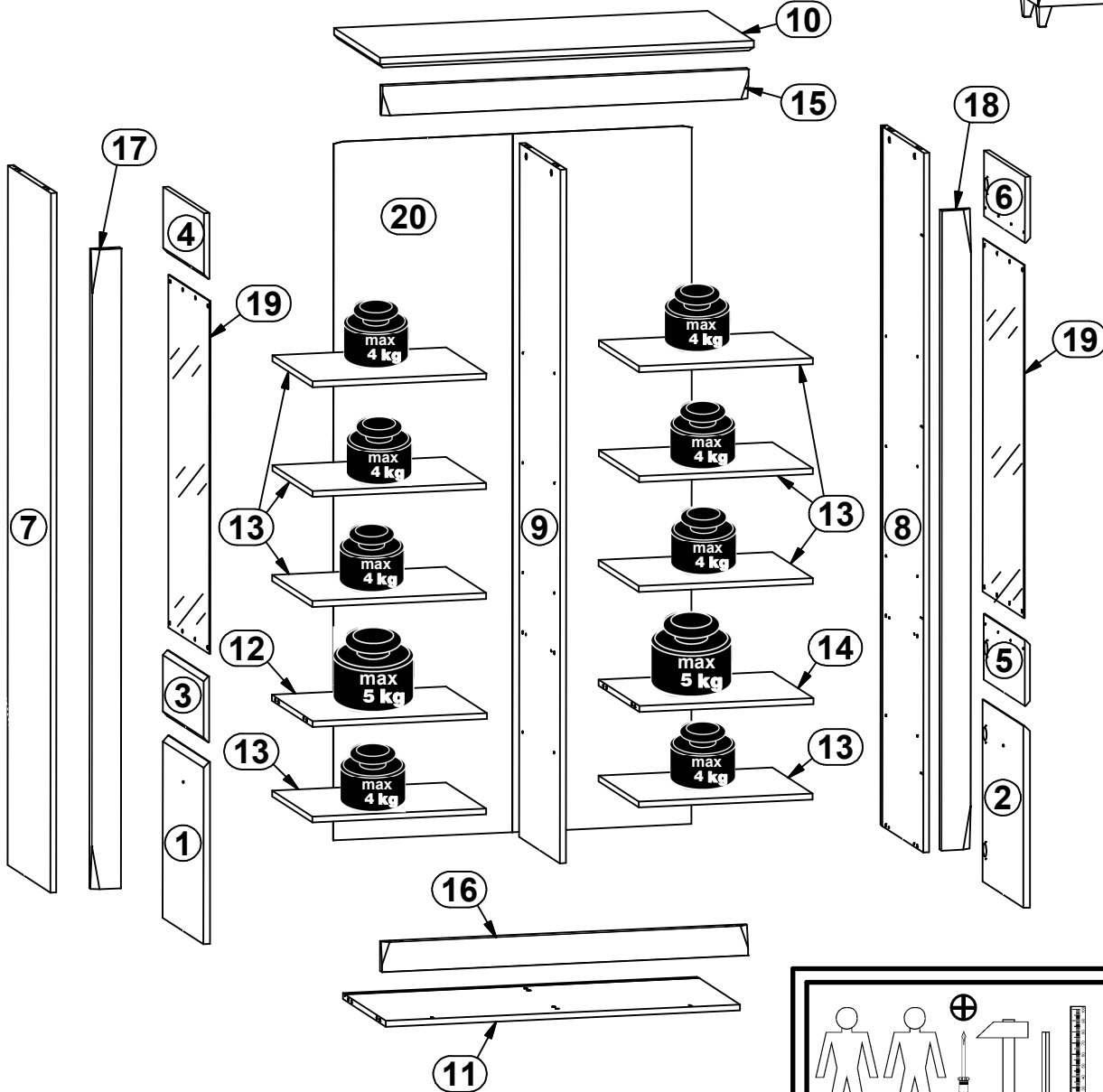
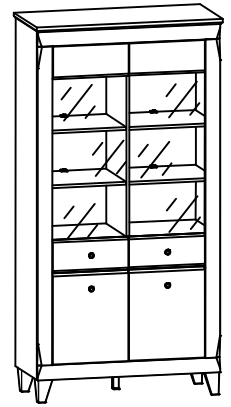
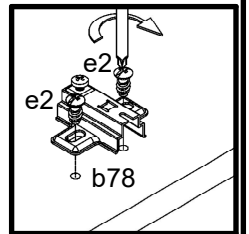
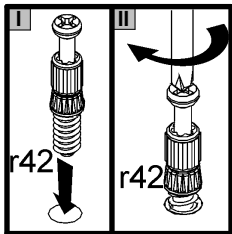
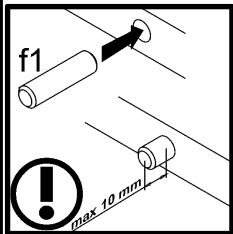
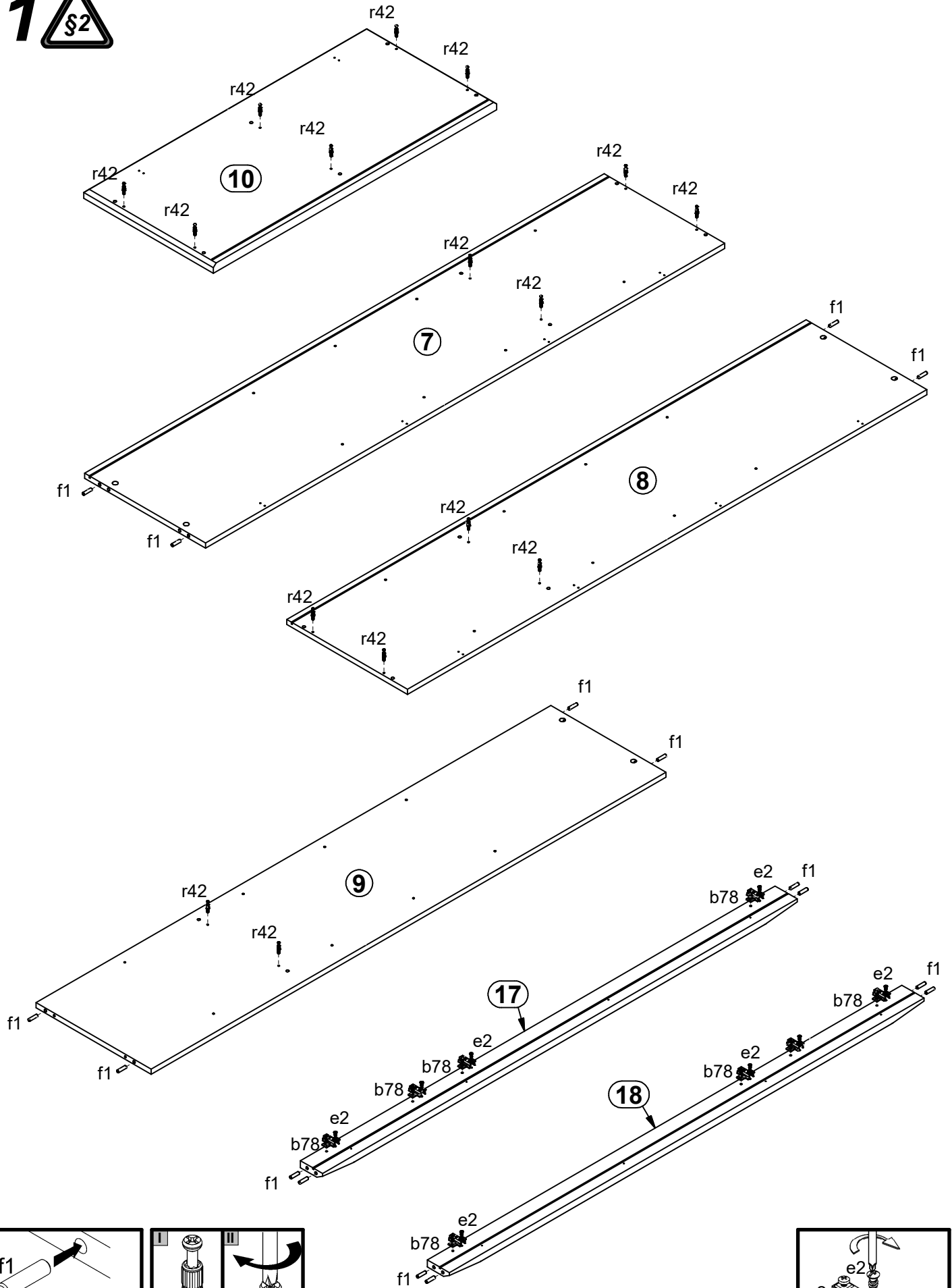


A	B	C	D	A	B	C	D		
1	S359-0015	487	415	5/7	11	S359-3011	966	435	2/7
2	S359-0016	487	415	5/7	12	S359-3012	475	415	2/7
3	S359-0017	415	176	6/7	13	S359-3014	474	409	2/7
4	S359-0018	415	176	6/7	14	S359-3015	475	415	2/7
5	S359-0019	415	176	6/7	15	S359-5015	999	80	3/7
6	S359-0020	415	176	6/7	16	S359-5016	999	80	3/7
7	S359-1021	1872	435	1/7	17	S359-5017	1712	80	3/7
8	S359-1022	1872	435	1/7	18	S359-5018	1712	80	3/7
9	S359-1023	1856	415	1/7	19	S359-5019	944	415	4/7
10	S359-2006	1020	468	2/7	20	S359-9306	1869	977	1/7

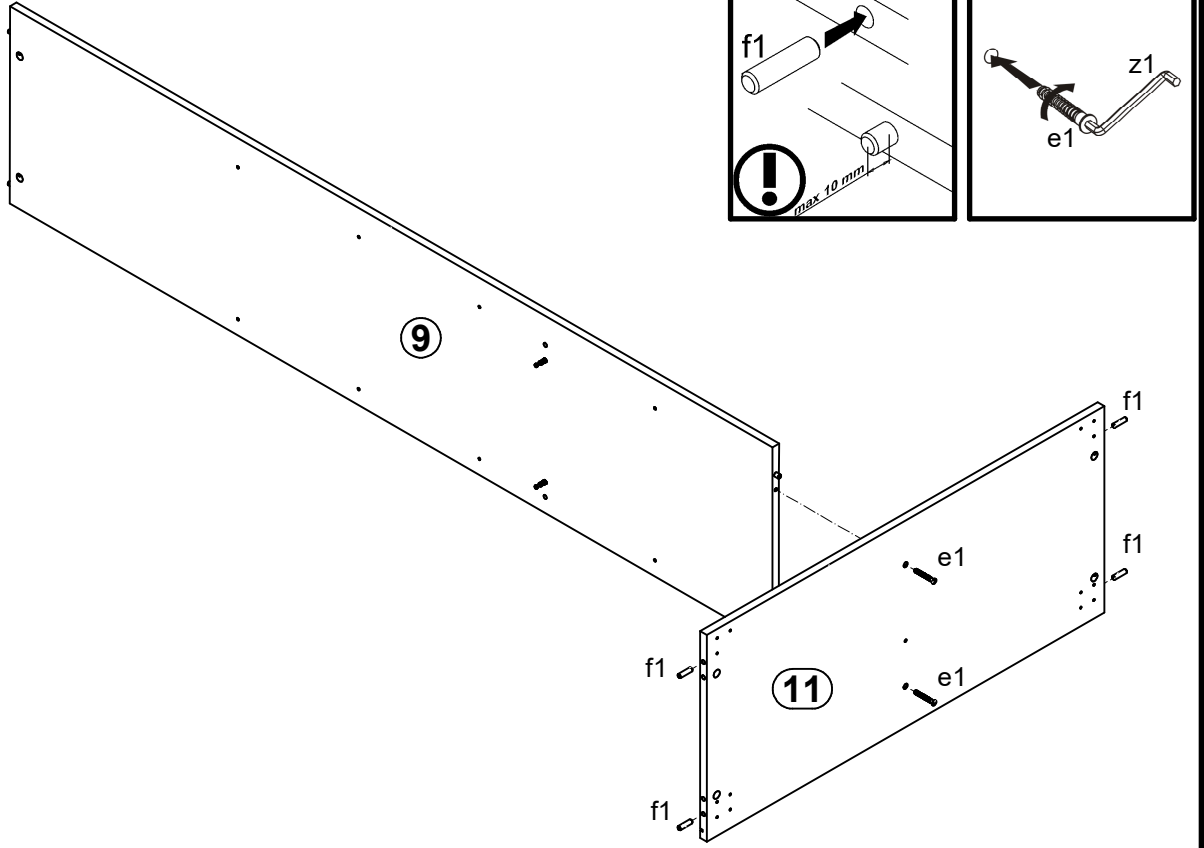


4x h3 mm d=45 mm a63	8x a132	4x a133	8x b78	4x M4 c415	32x Ø5x17 mm d1	12x d37	2x Ø7x50 mm e1	17x Ø6,3x13 mm e2
16x Ø5x12 mm e41	12x Ø5x18 mm e58	28x Ø8x30 mm f1	1x Ø10x50 mm f35	2x M4x20 mm j1	2x M4x22 mm j30	1x 42,5x42,5x4 mm k3813	1x 30x30x108 mm k3817	4x k125
10x l1	14x l2	1x 86x21x15/1,5 n14/2	16x Ø5,3/Ø8,3x4,8 mm o54	1x 6P 2,4W o70/6	1x Ø5x60 mm p17	54x Ø3,5x16 mm p38	8x Ø3,5x15 mm p51	
4x d=16 mm o114	8x Ø3,5x18 mm p143	18x Ø15x12 mm #16 r1	18x 20/11 r42	6x Ø 20mm s68	1x 4 mm z1			

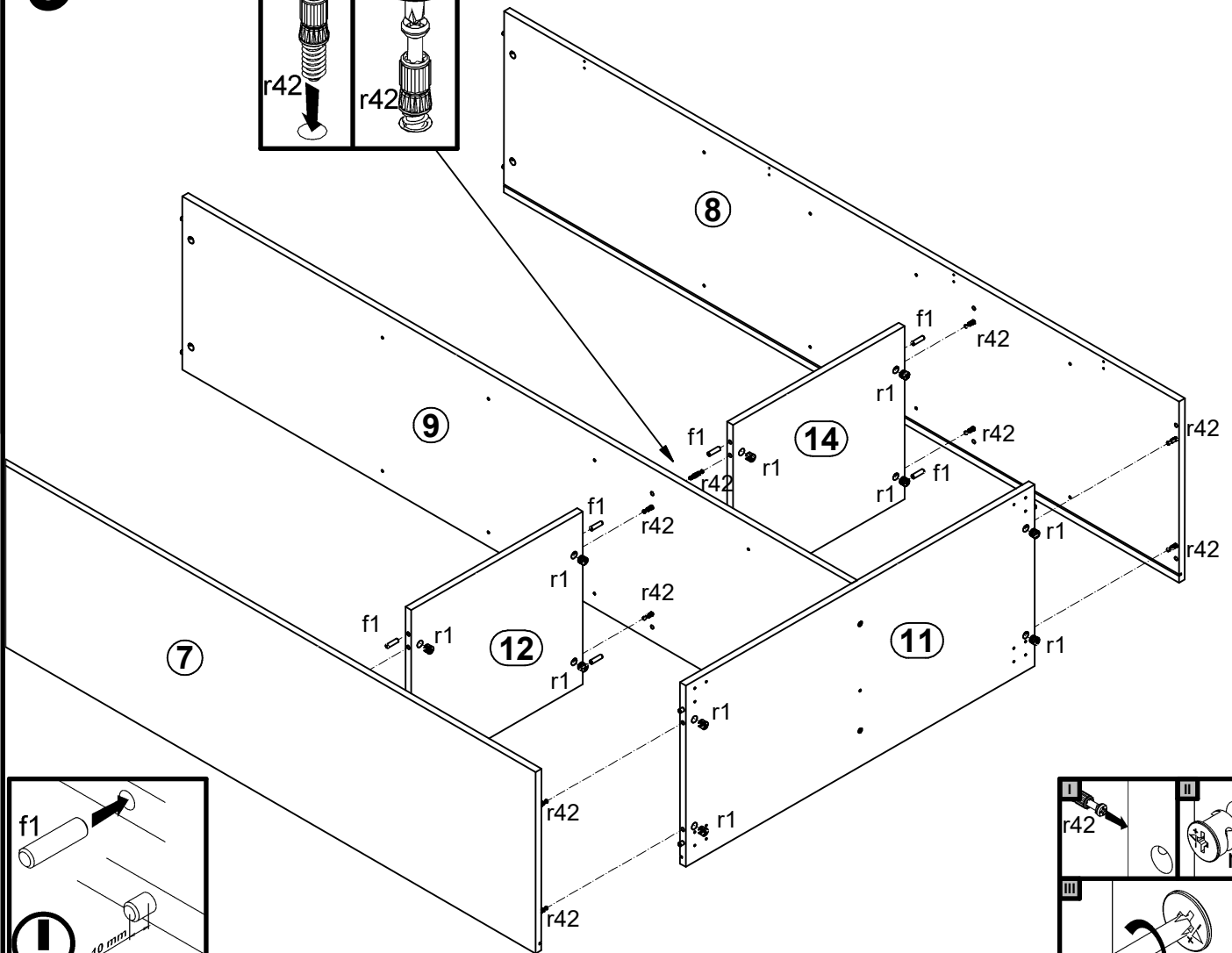
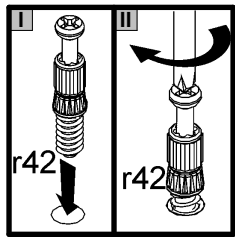
1 

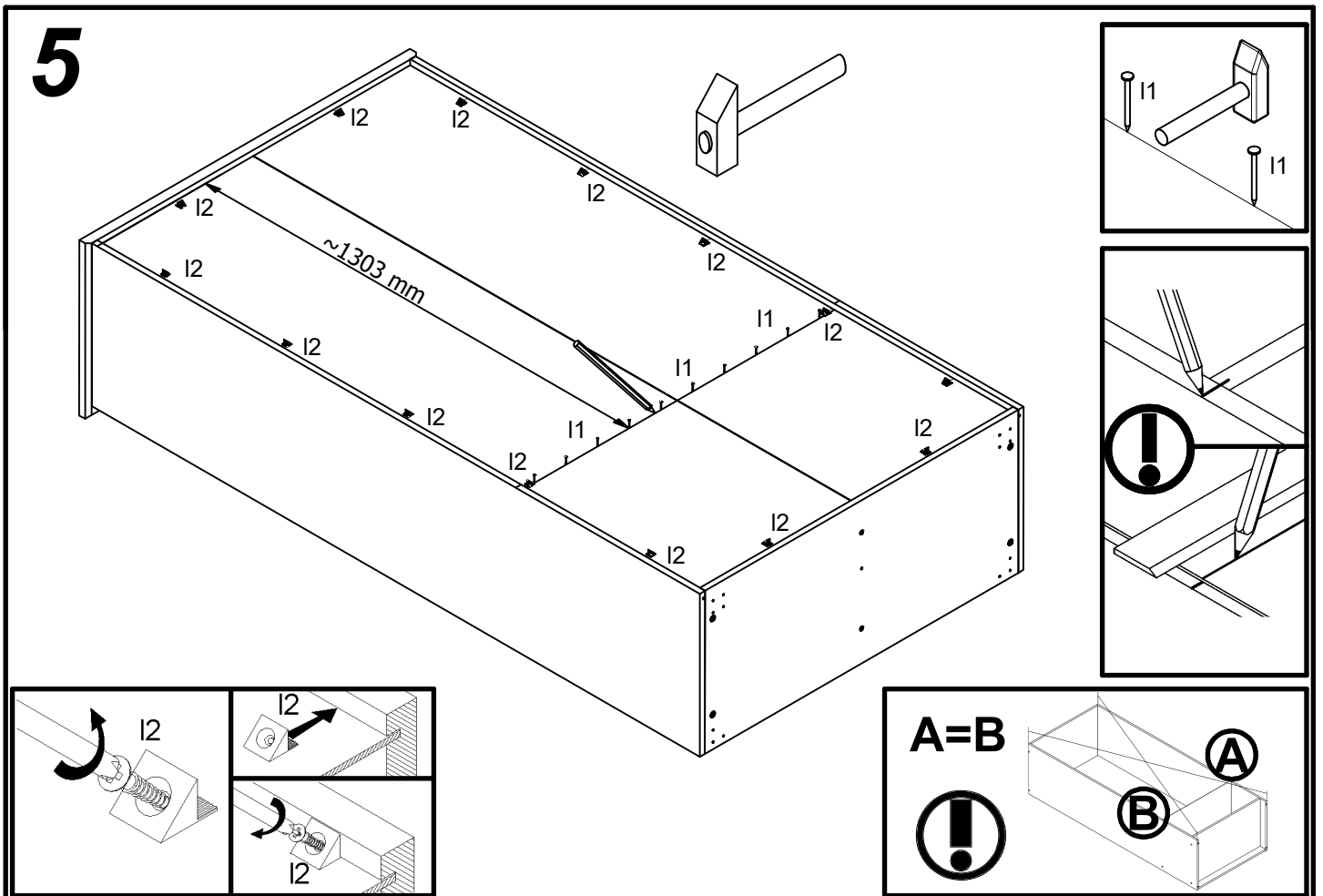
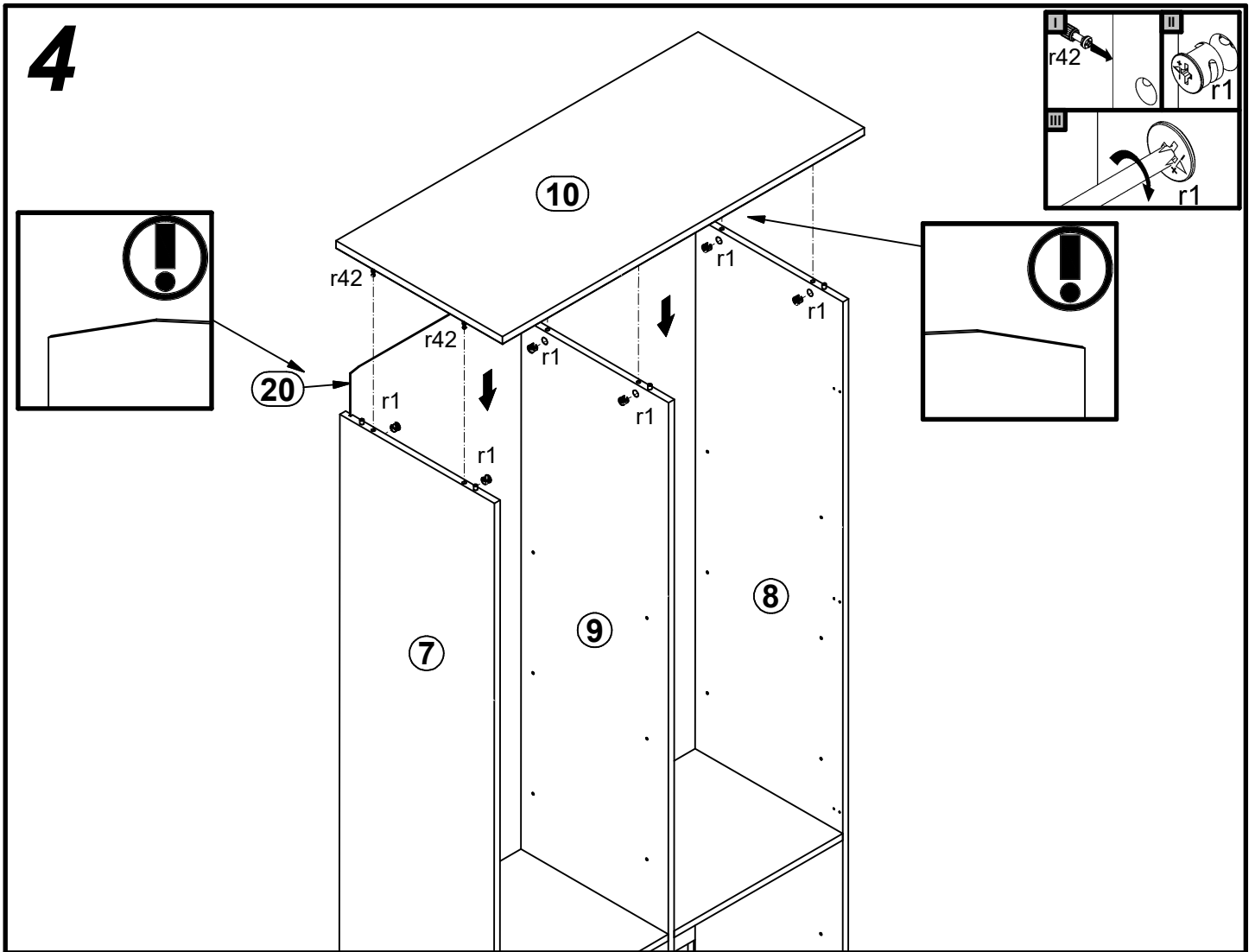


2 §6

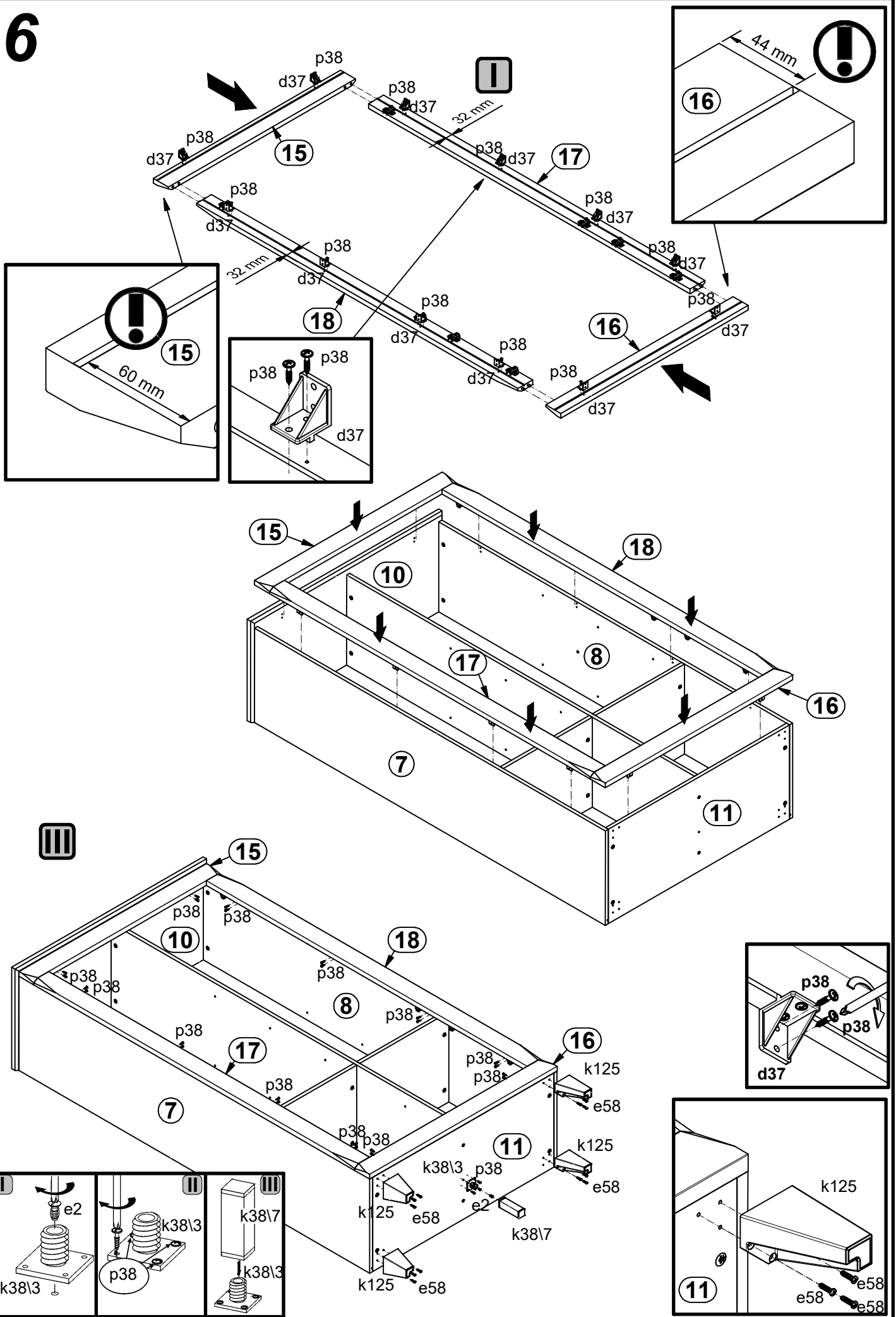


3

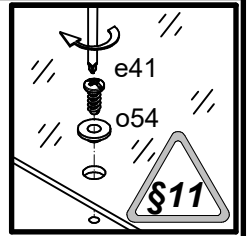




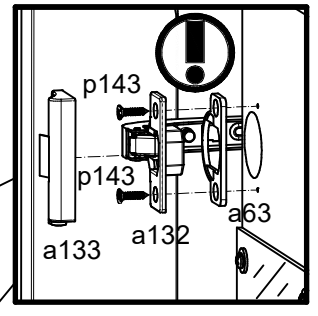
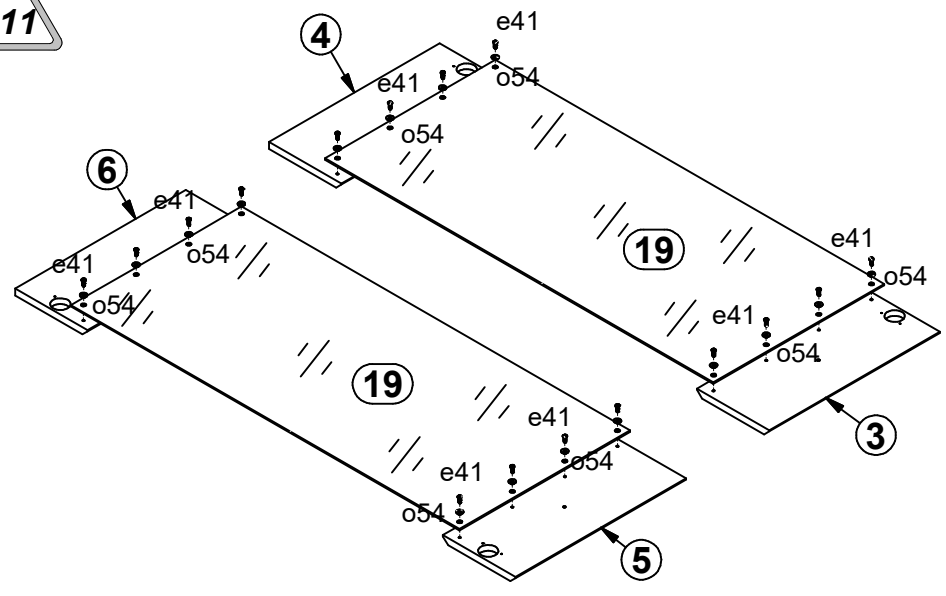
6



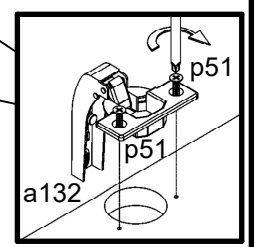
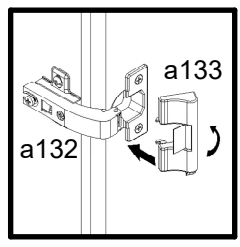
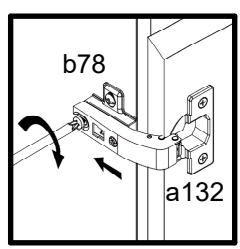
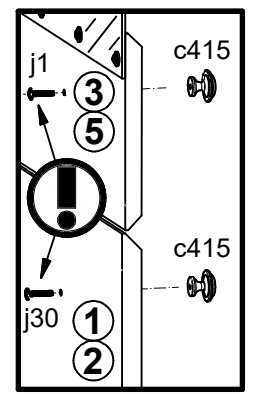
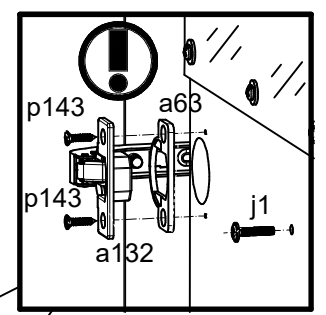
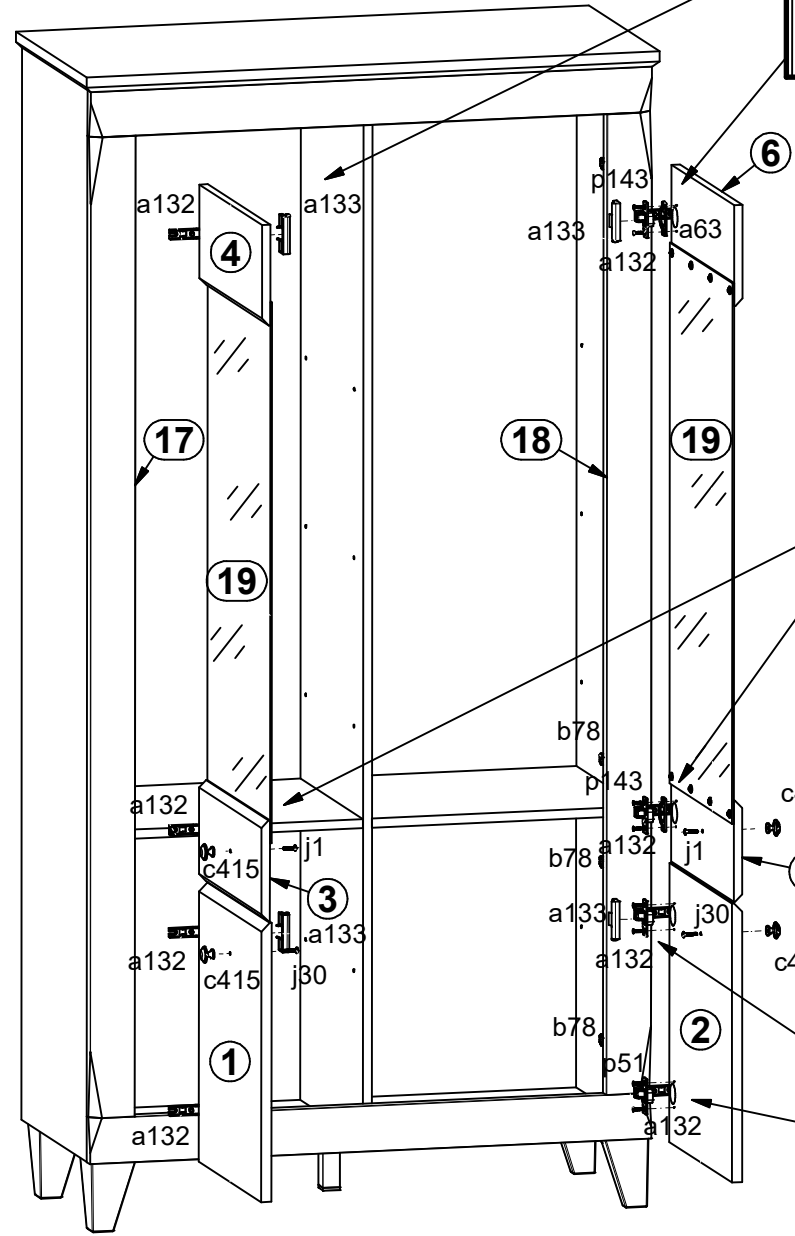
7



I

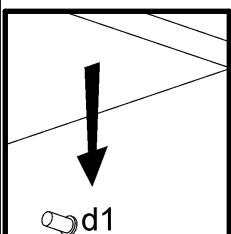
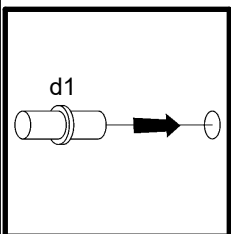
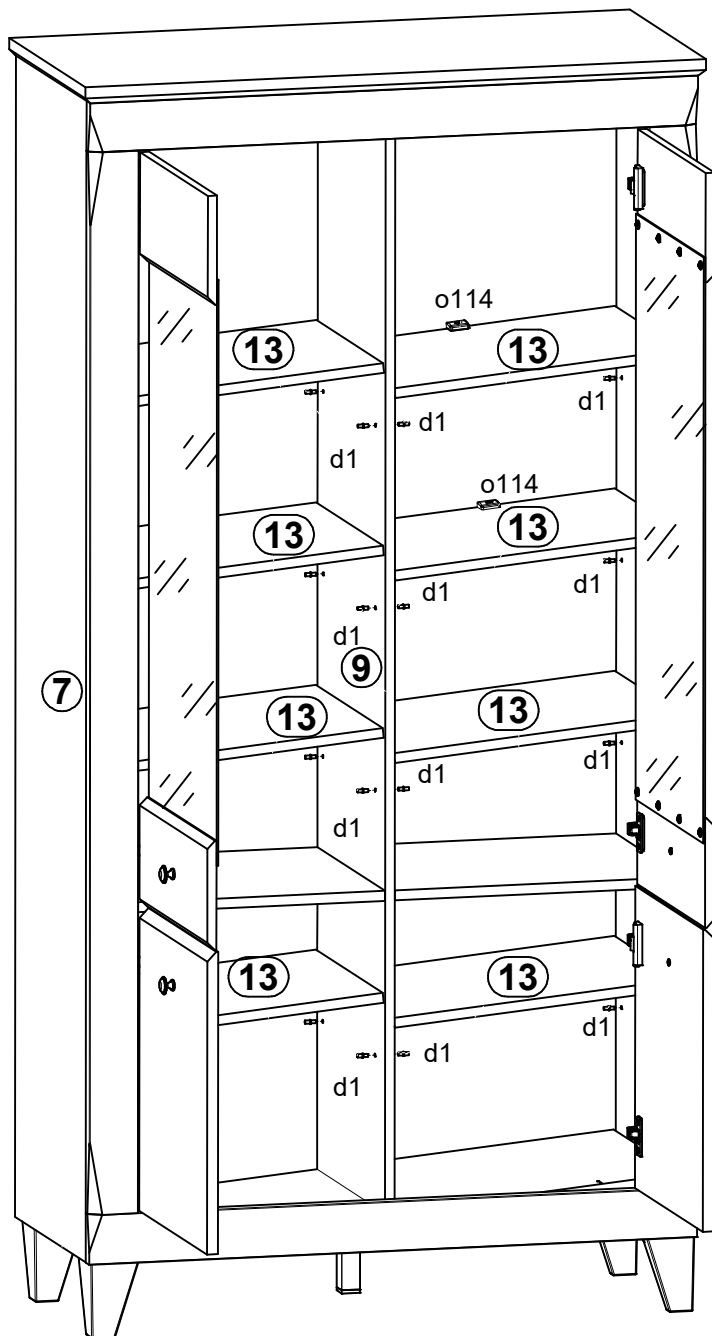
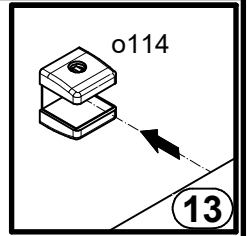
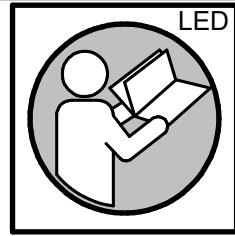
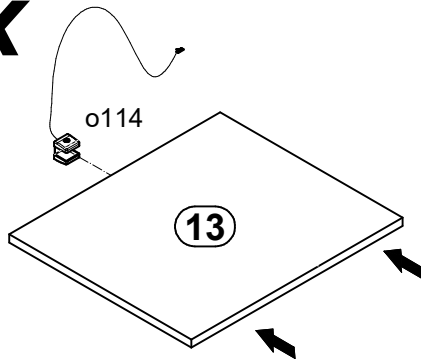


II



8

4x



9

