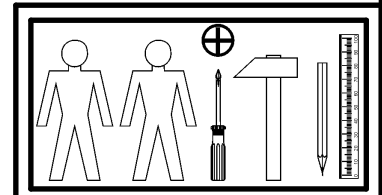
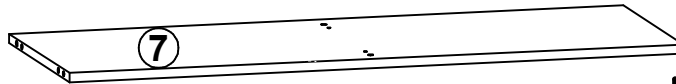
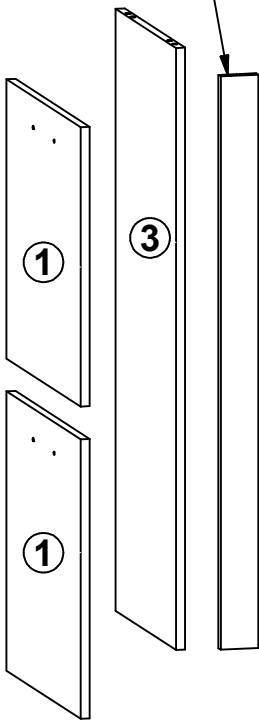
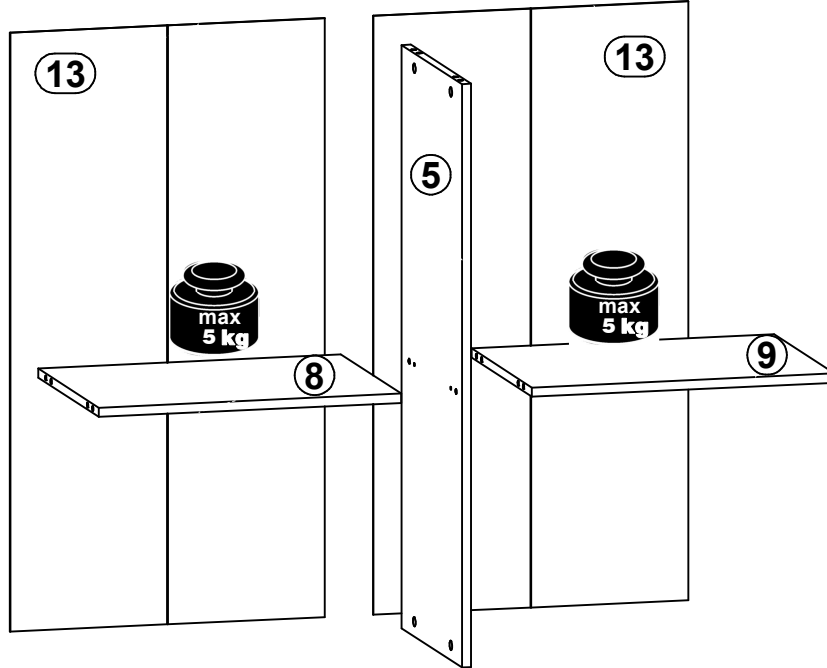
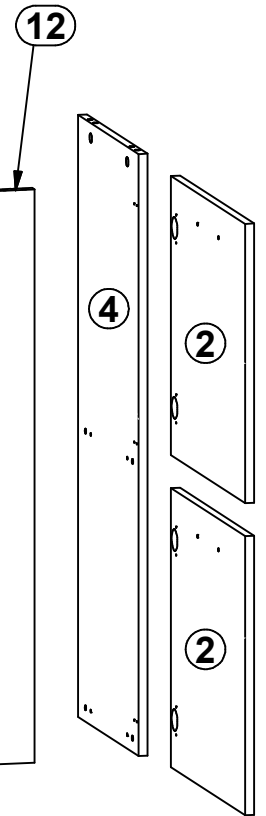
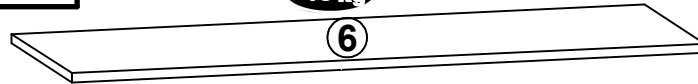
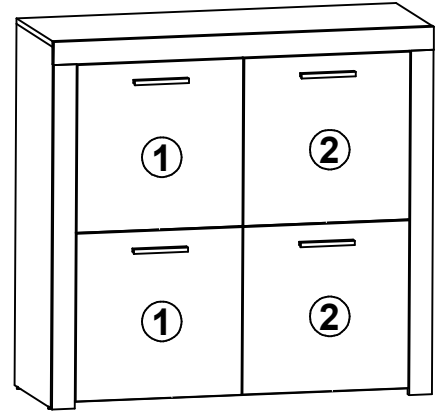
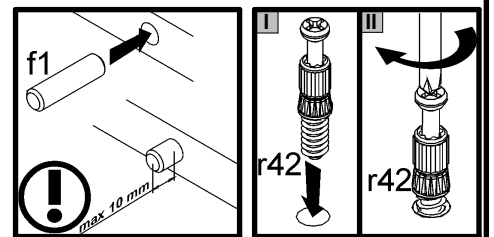
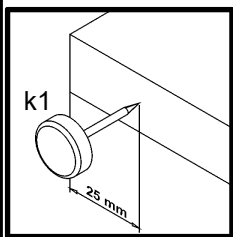
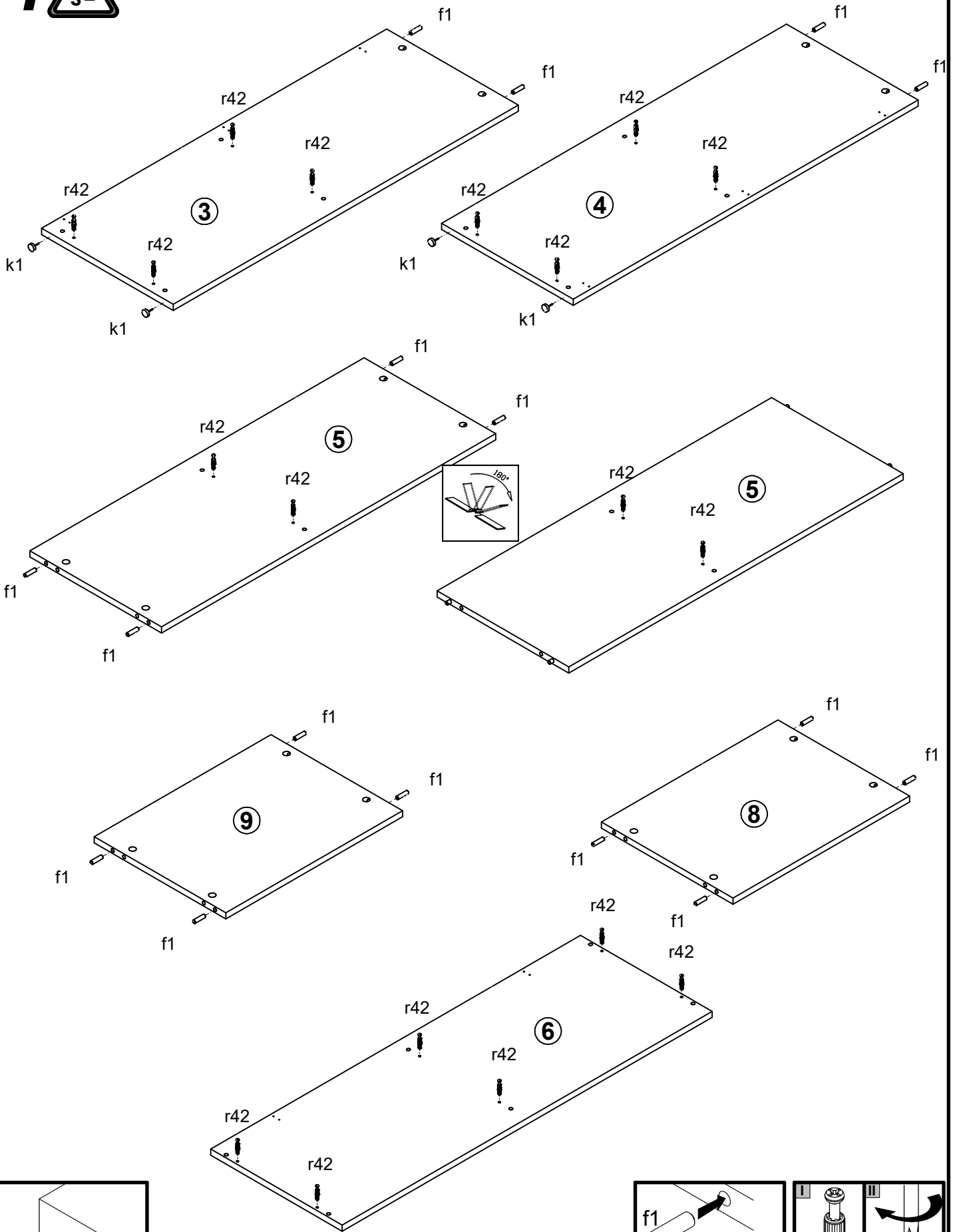


A	B	C	D	
1	S382-0001	450	454	3/3
2	S382-0002	450	454	3/3
3	S382-1001	970	370	1/3
4	S382-1002	970	370	1/3
5	S382-1003	940	370	1/3
6	S382-2001	1040	370	1/3
7	S382-3001	1009	370	1/3
8	S382-3002	497	370	1/3
9	S382-3003	497	370	1/3
10	S382-5001	1041	62	2/3
11	S382-5002	924	62	2/3
12	S382-5003	924	62	2/3
13	S382-9301	965	517	1/3

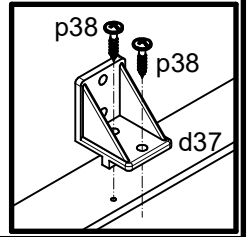
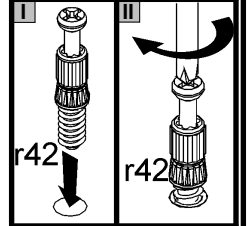
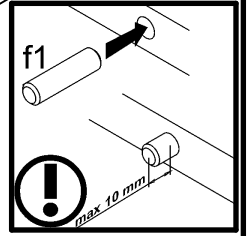
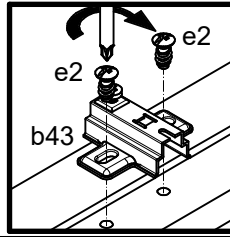
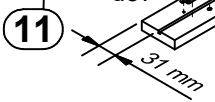
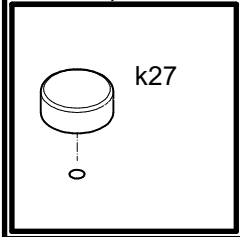
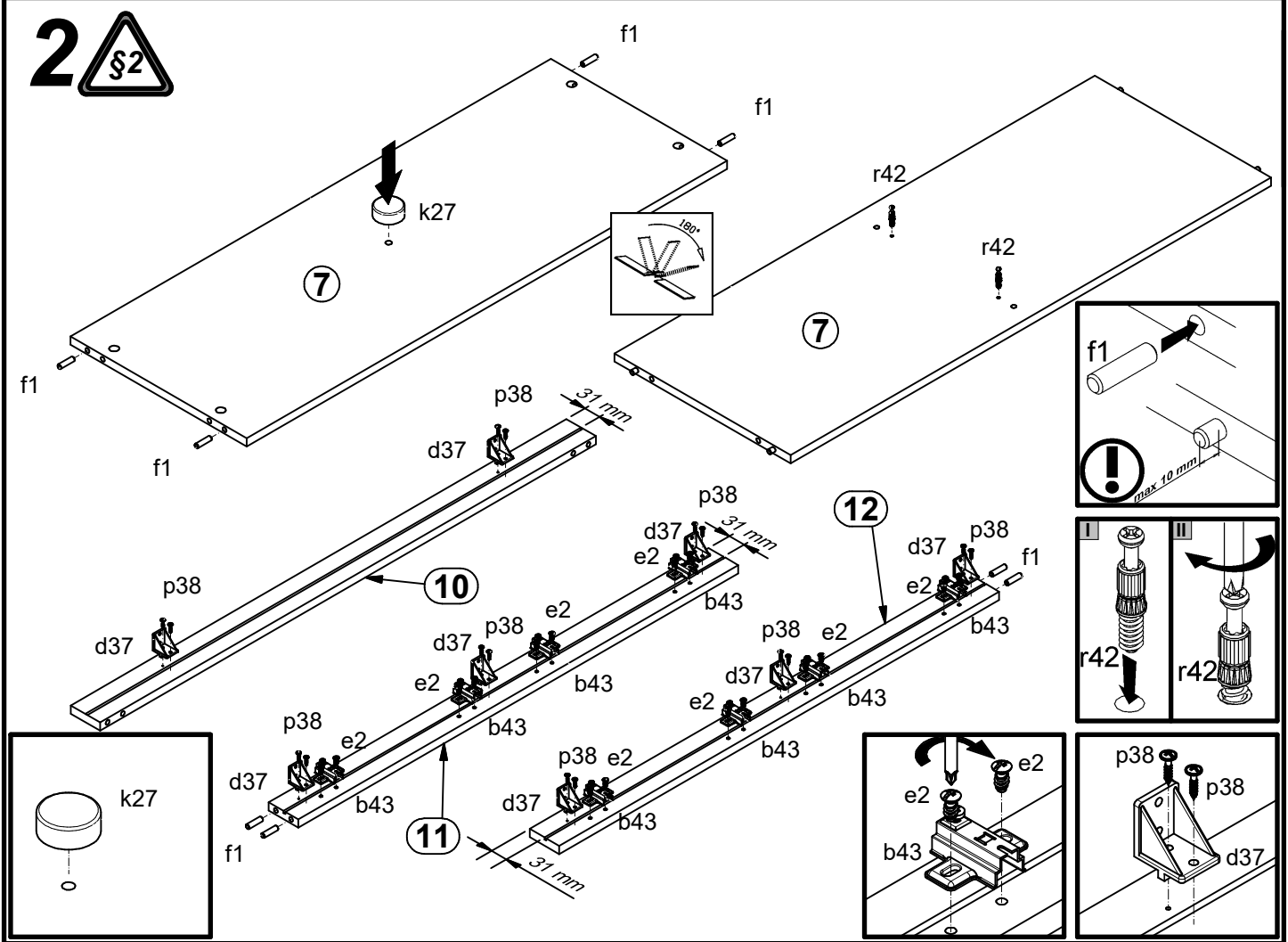


8x a132	8x b43	4x c328 128 mm	8x d37	16x e2 Ø6,3x13 mm	24x f1 Ø8x30 mm	4x k1	1x k27	60x l1	
32x p38 Ø3,5x16 mm	16x p51 Ø3,5x15 mm	8x p60 Ø4x22 mm	20x r1 Ø15x12 mm #16	20x r42 20/11	6x s2 Ø16				
						1x n26/1	1x p38 Ø3,5x16 mm		

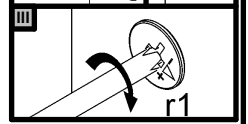
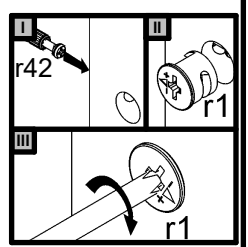
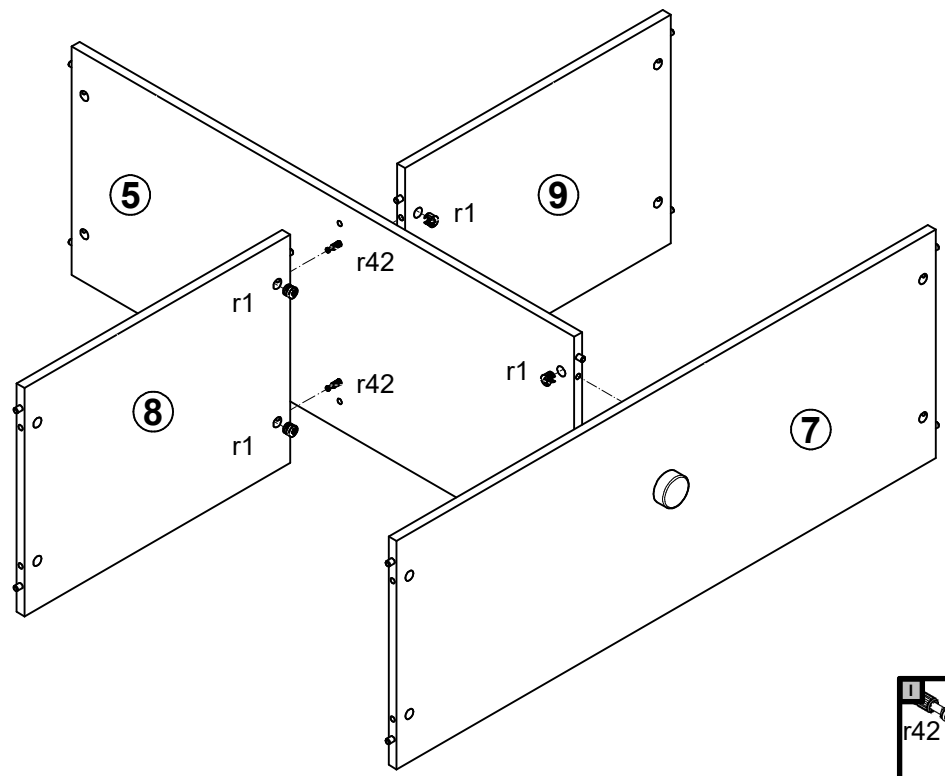
1 



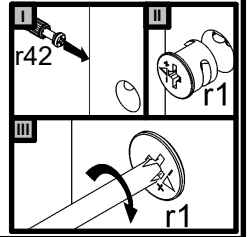
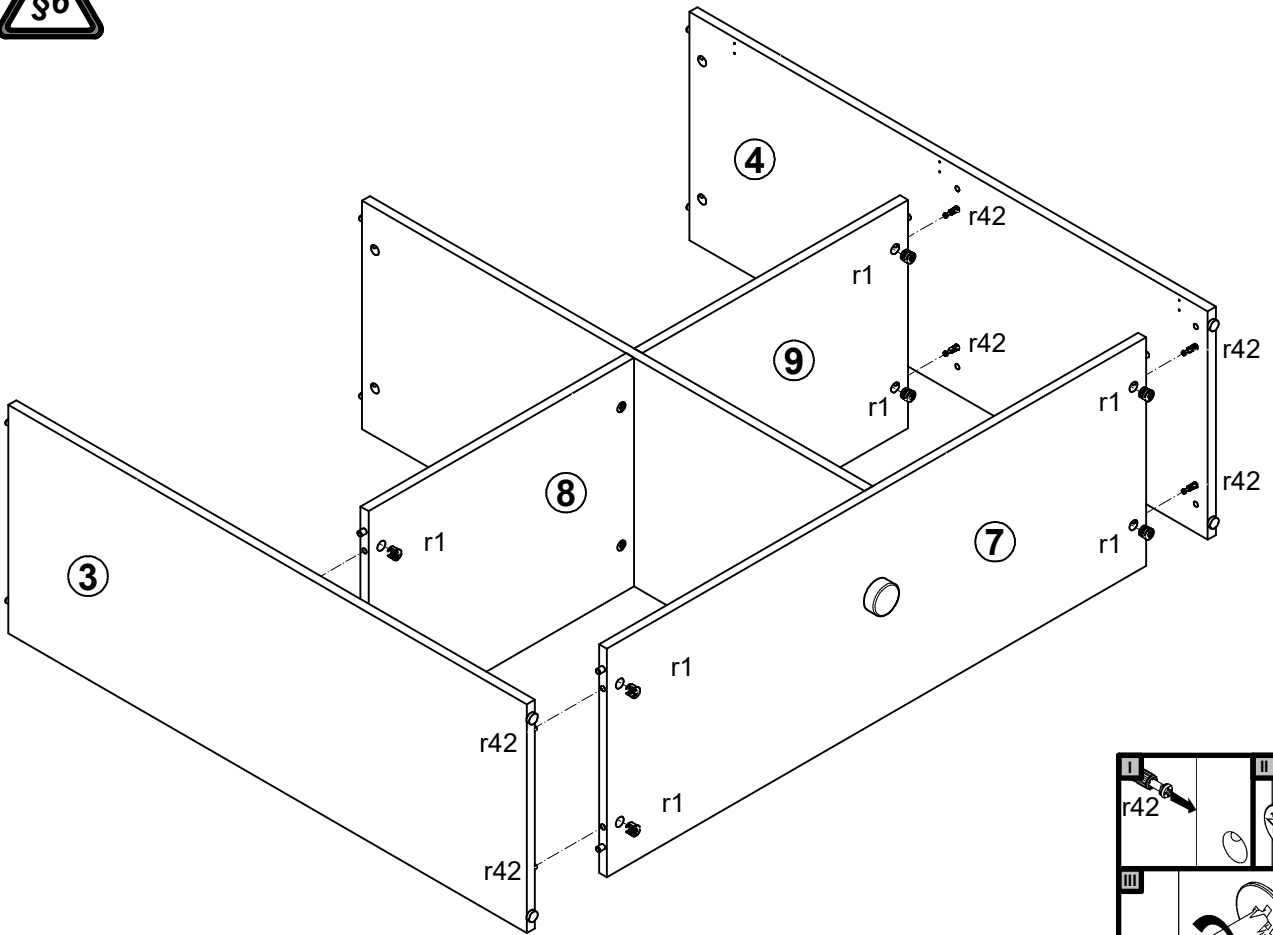
2



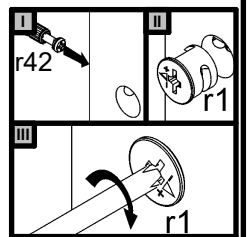
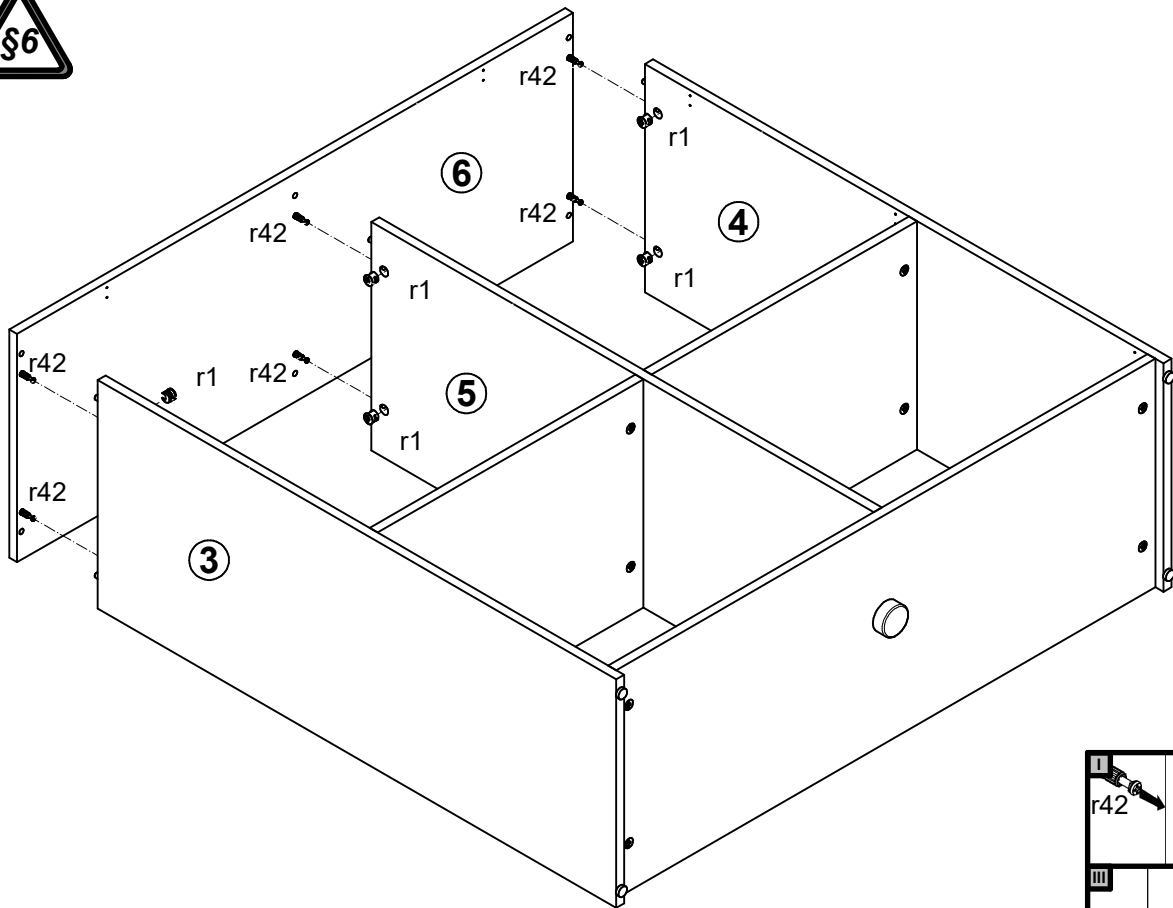
3



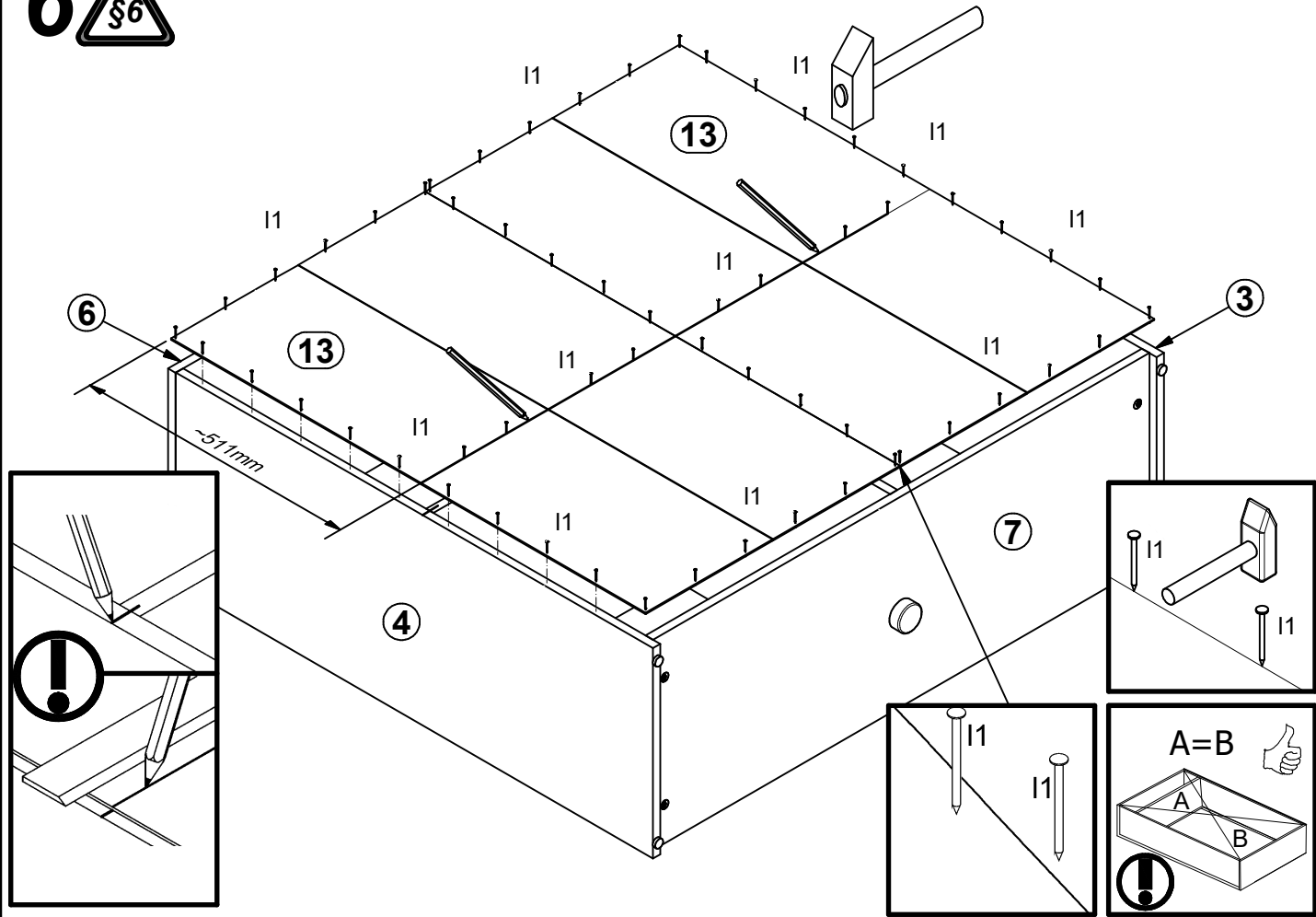
4



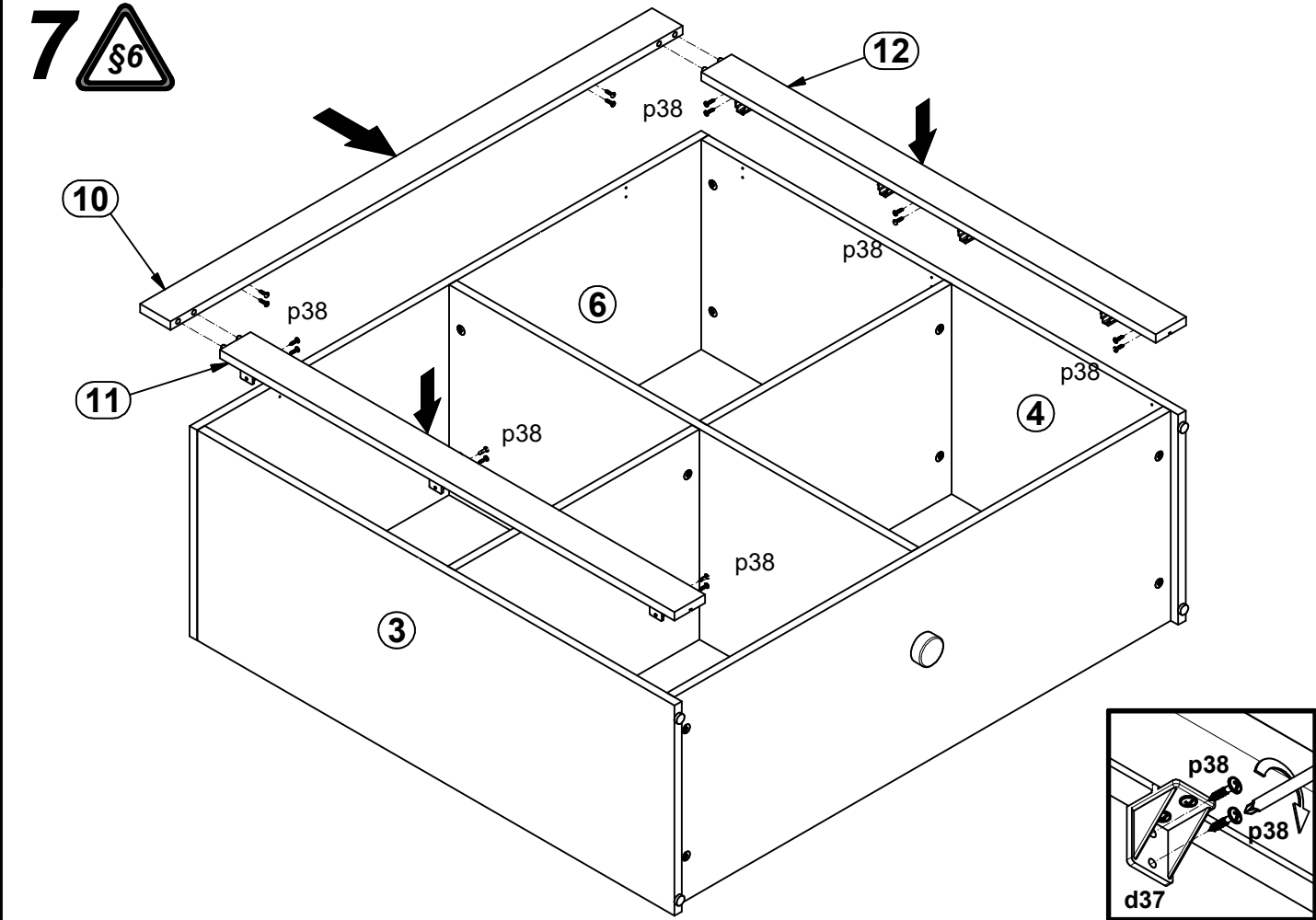
5



6



7



8

