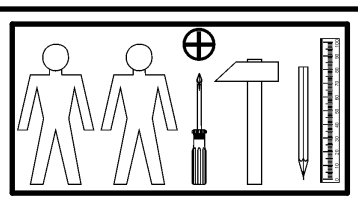
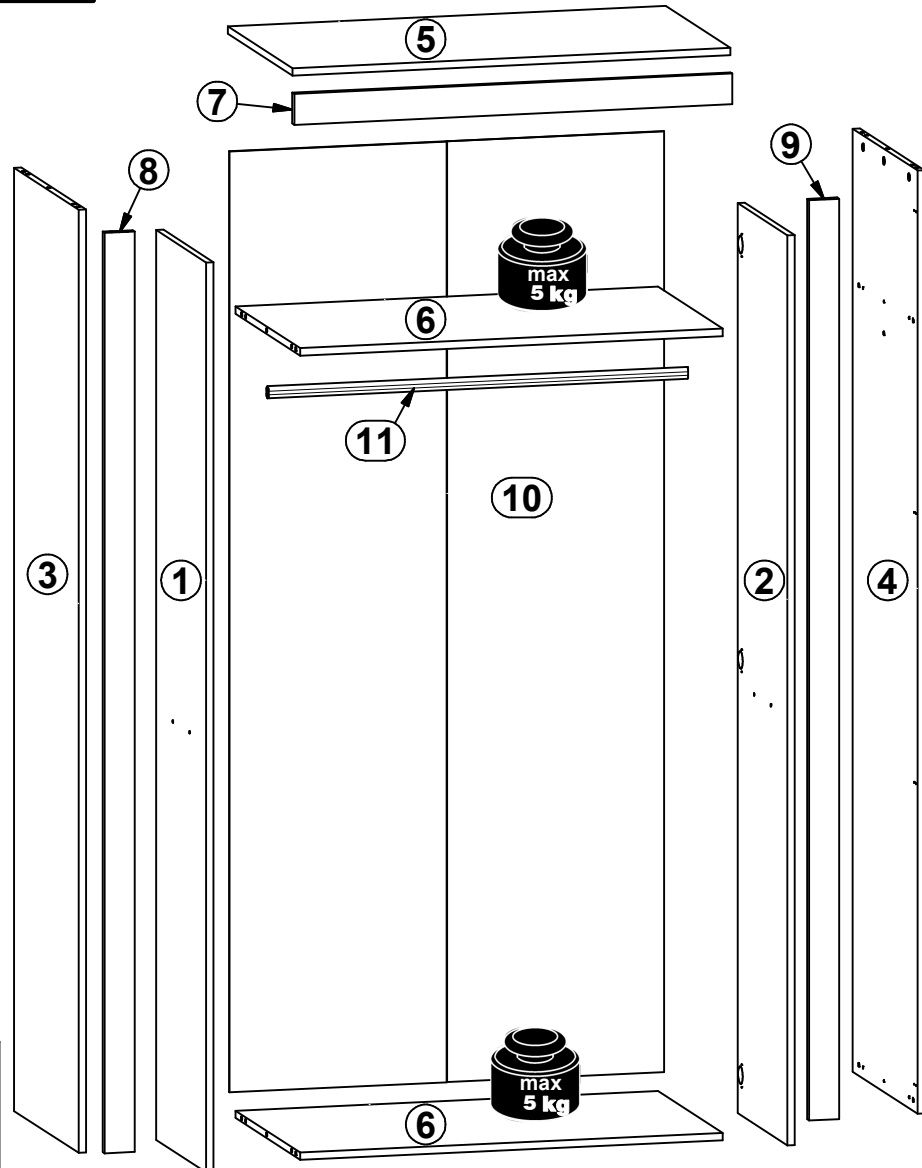
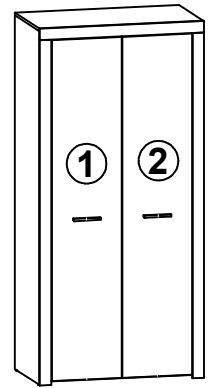
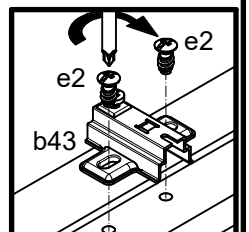
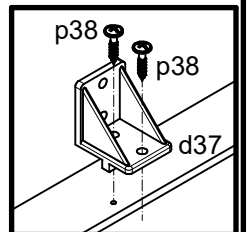
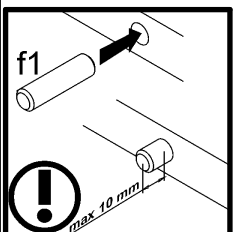
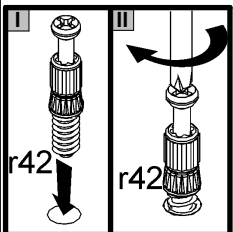
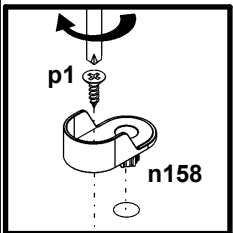
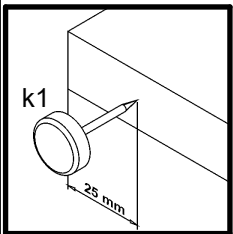
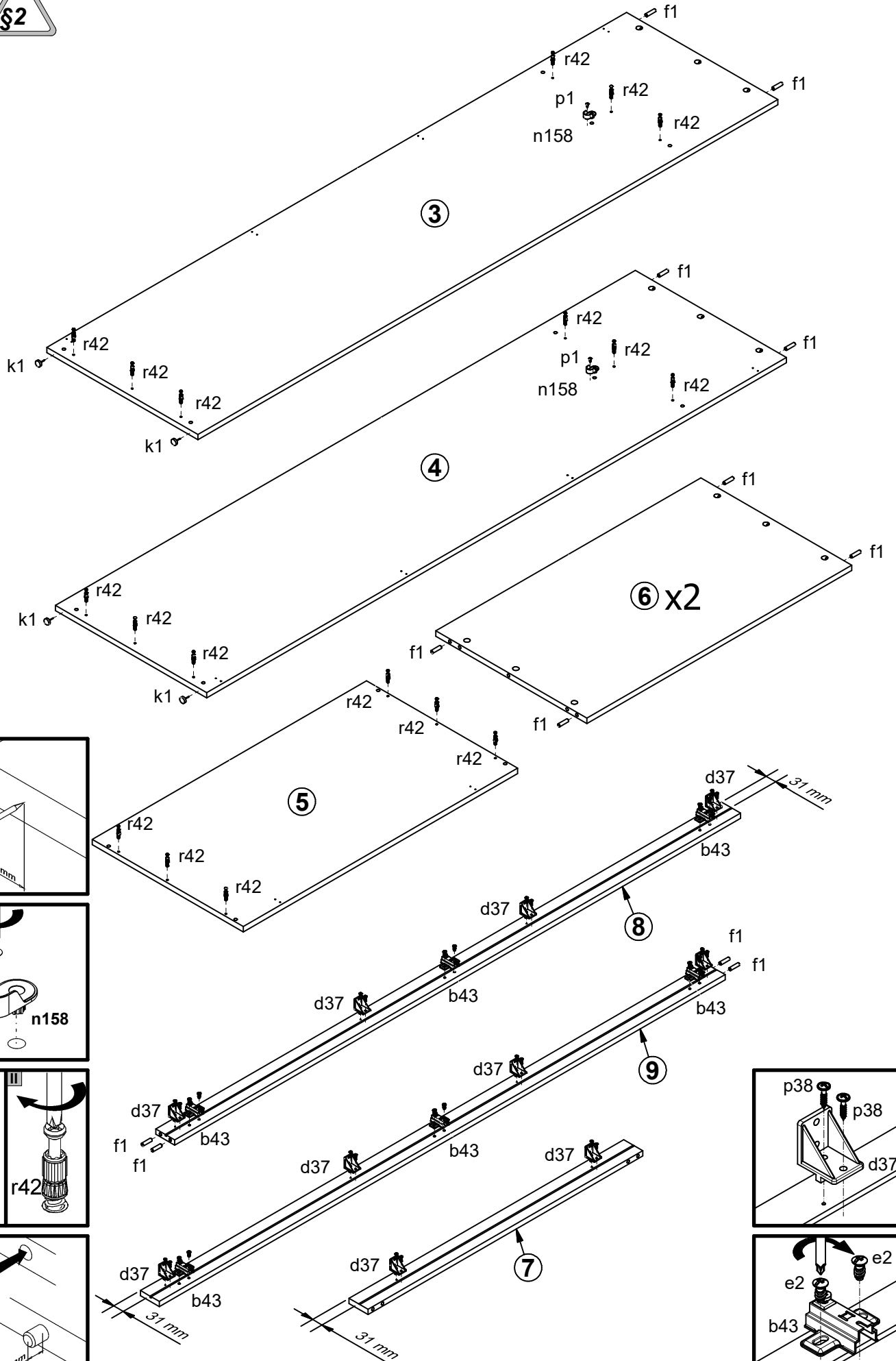


A	B	C	D
1	S382-0006	1833	383
2	S382-0007	1833	383
3	S382-1011	1900	495
4	S382-1012	1900	495
5	S382-2004	899	495
6	S382-3007	868	495
7	S382-5010	900	62
8	S382-5011	1854	62
9	S382-5012	1854	62
10	S382-9302	1895	893
11	dr-862	862	22

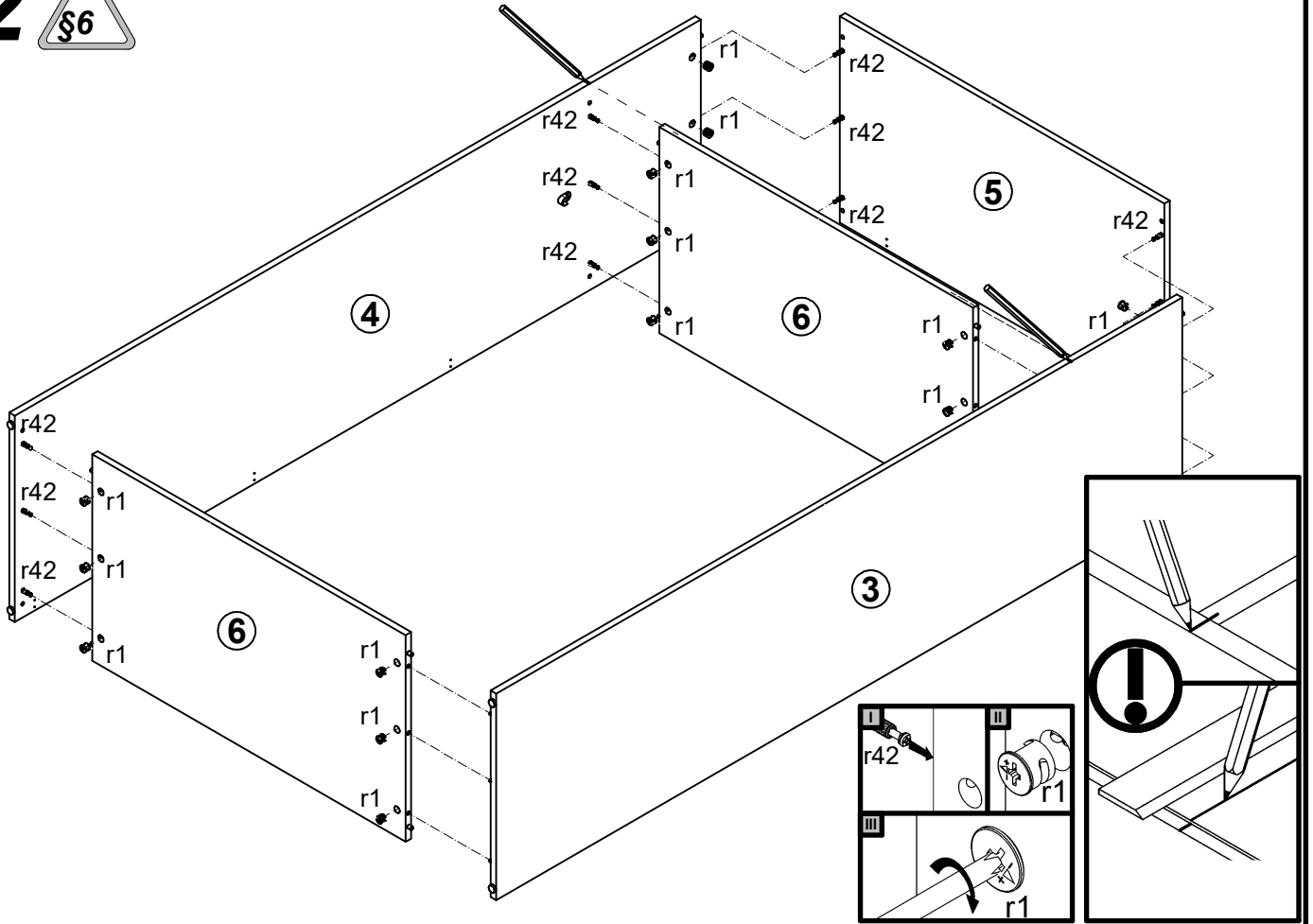


6x  a132	6x  b43	2x  c328 128 mm	10x  d37	12x  e2 Ø6.3x13 mm	16x  f1 Ø8x30 mm	4x  k1	80x  l1	2x  n158
2x  p1 Ø3.5x13 mm	40x  p38 Ø3.5x16 mm	12x  p51 Ø3.5x15 mm	4x  p60 Ø4x22 mm	18x  r1 Ø15x12 mm #16	18x  r42 20/11	12x  s2 Ø16		
							1x  p38 Ø3.5x16 mm	1x  n26/1

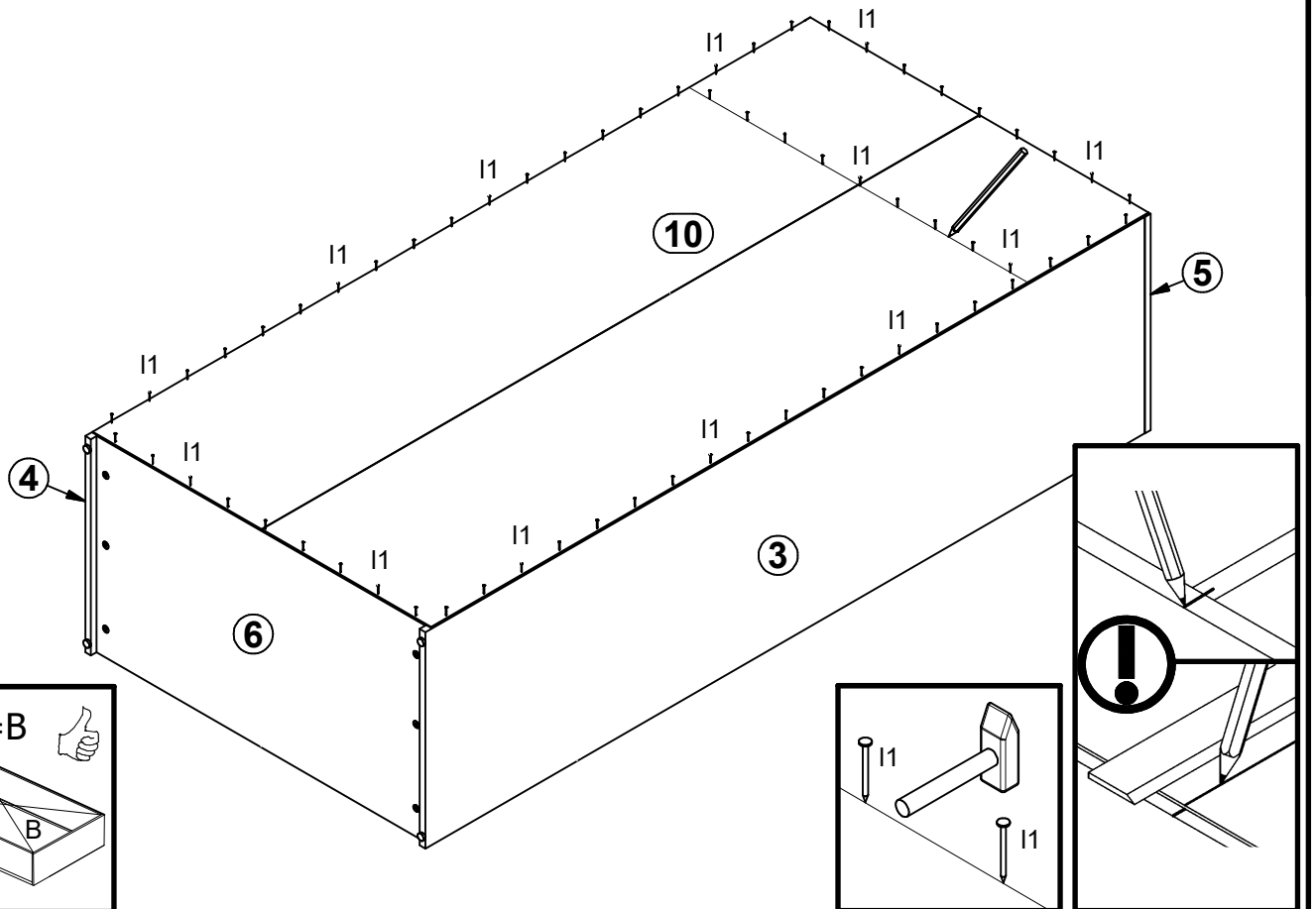
1 

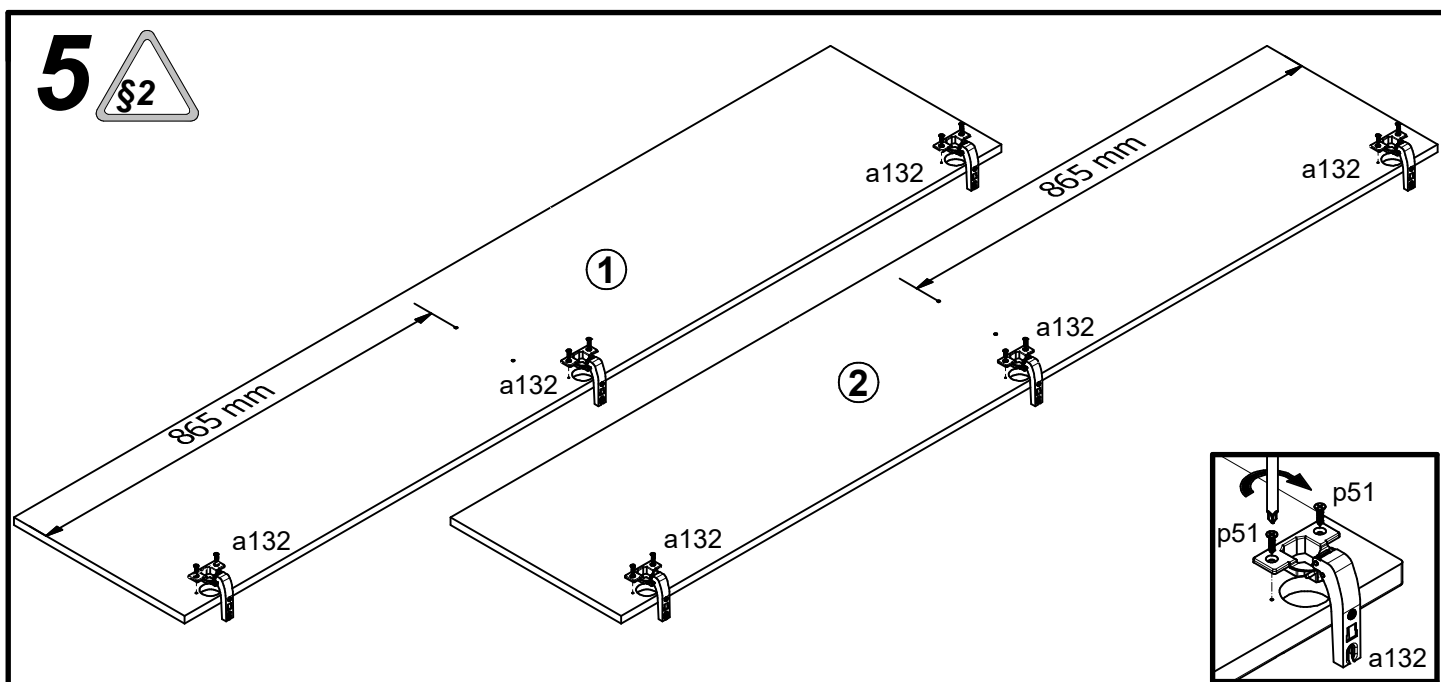
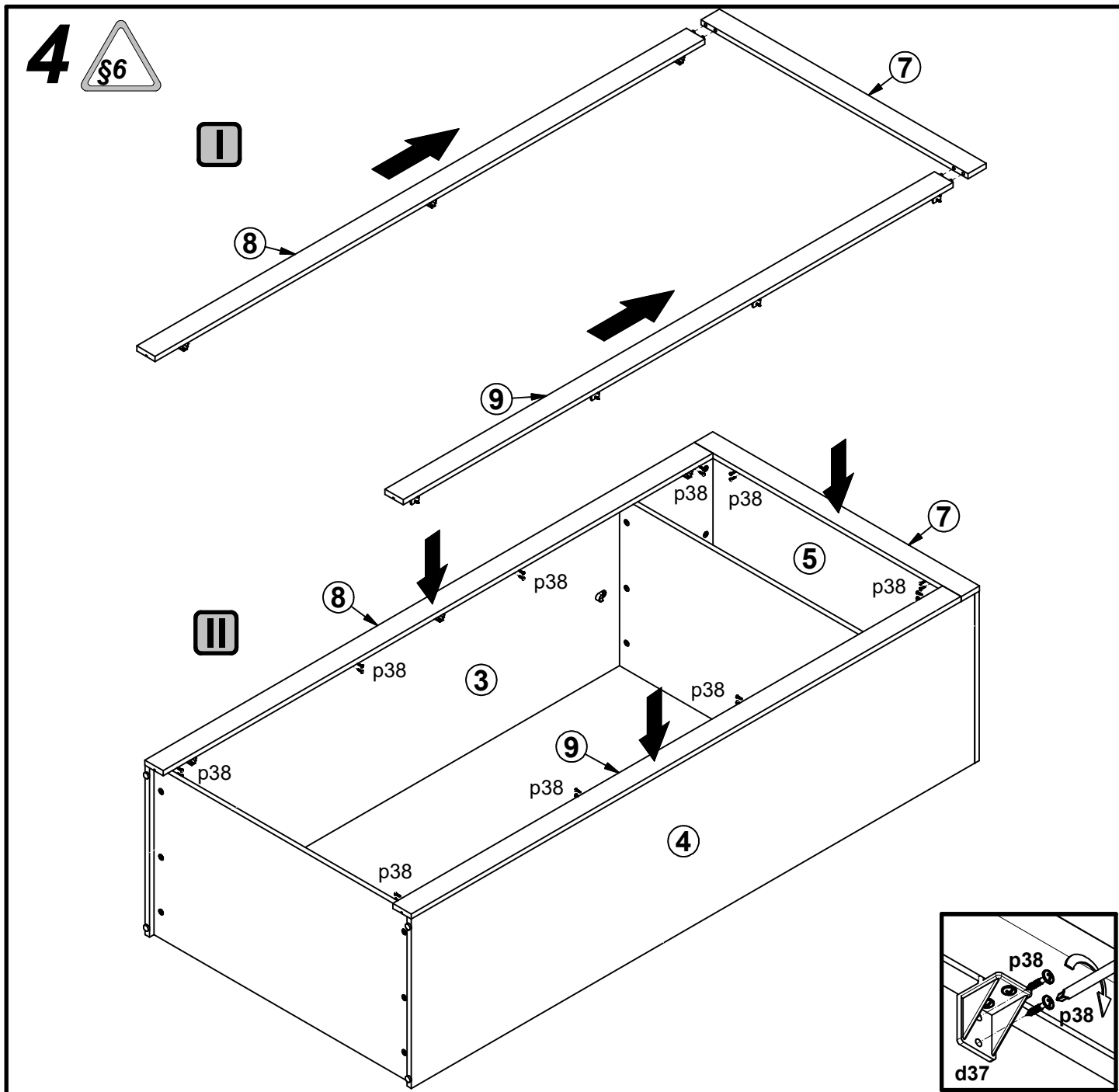


# 2



# 3





# 6

