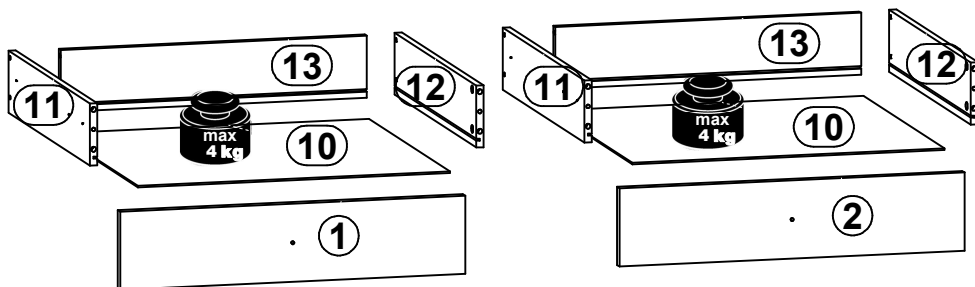
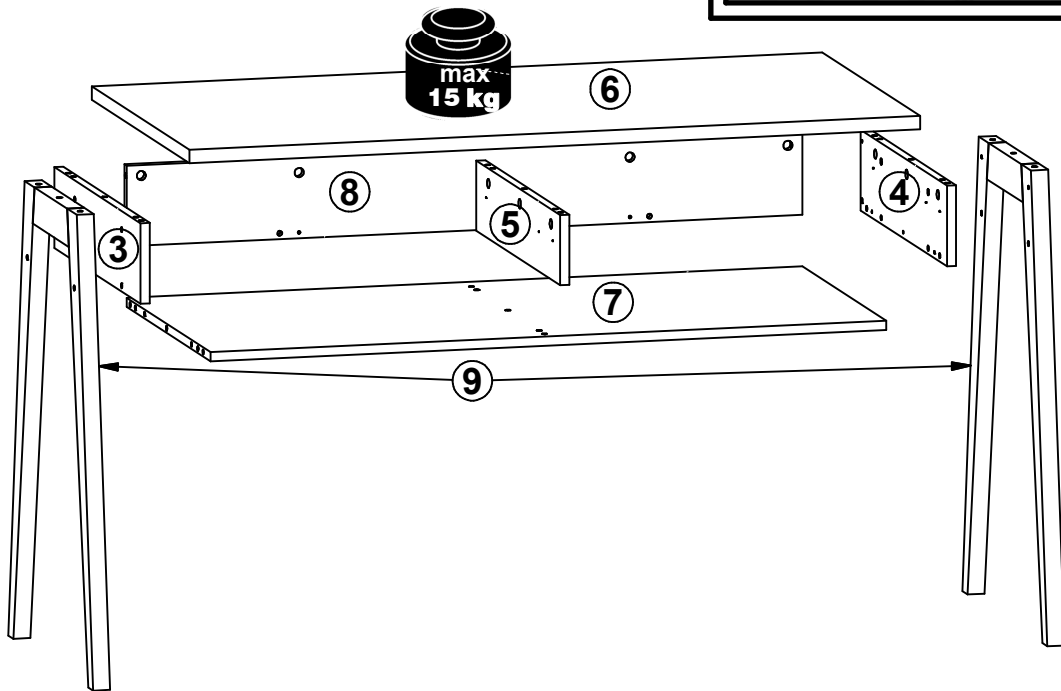
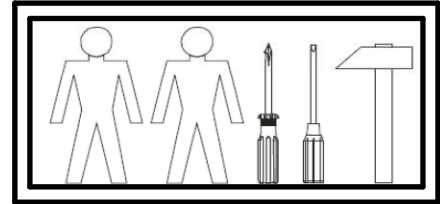
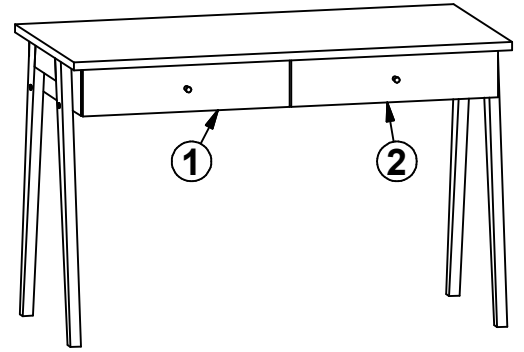
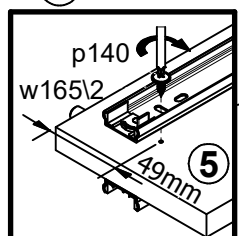
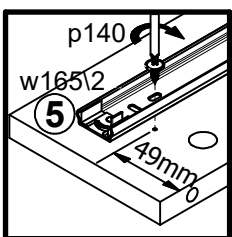
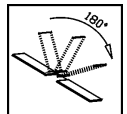
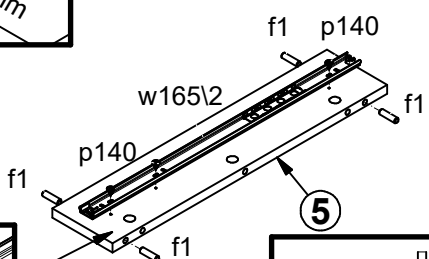
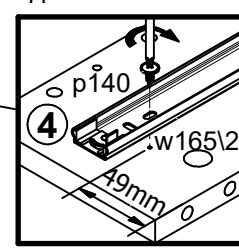
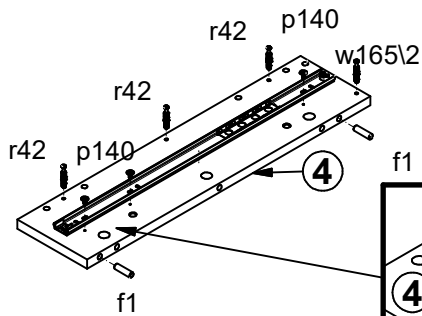
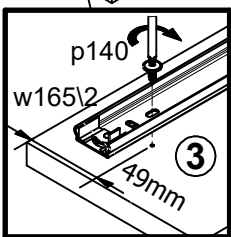
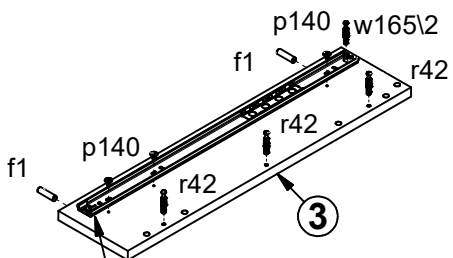
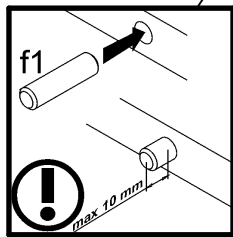
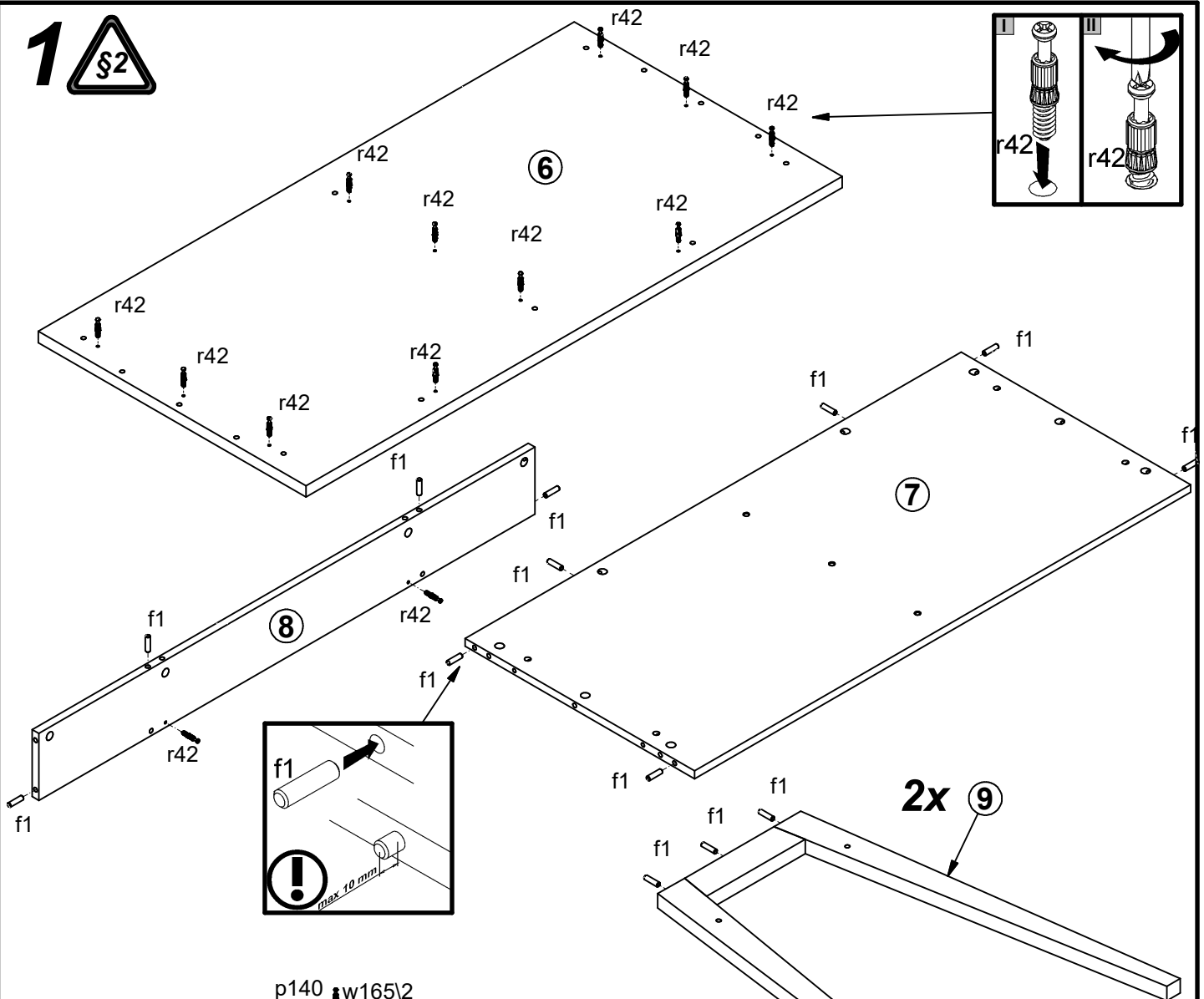
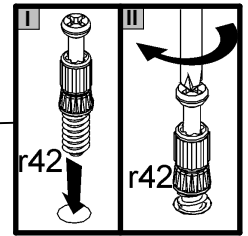


A	B	C	D
1	S385-0013	567	126
2	S385-0014	567	126
3	S385-1022	130	530
4	S385-1023	130	530
5	S385-1024	113	514
6	S385-2015_A	1201	600
7	S385-3009	1111	514
8	S385-4003	1111	130
9	S385-5012	750	520
10	S385-9010	513	498
11	ZK1-525	500	100
12	ZK1-526	500	100
13	ZS4-5516	503	100

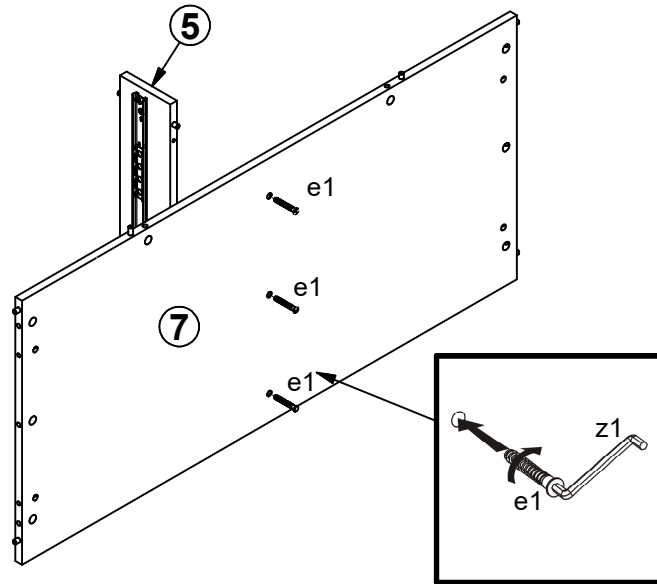


2x c472	3x Ø7x50 mm e1	4x Ø7x28 mm e22	24x Ø8x30 mm f1	8x Ø6.5x40 mm f25	4x Ø6x30 mm f9	4x M6x84 mm j117	24x Ø3.5x12 mm p140	2x Ø3.5x30 mm p78
21x Ø15x12 mm #16 r1	8x Ø12x10.5 mm #12 r15	29x 20/11 r42	4x Ø10x13 mm r51	4x 500/820 mm w165\1	4x 500/820 mm w165\2	3x Ø16 s2	1x 4 mm z1	

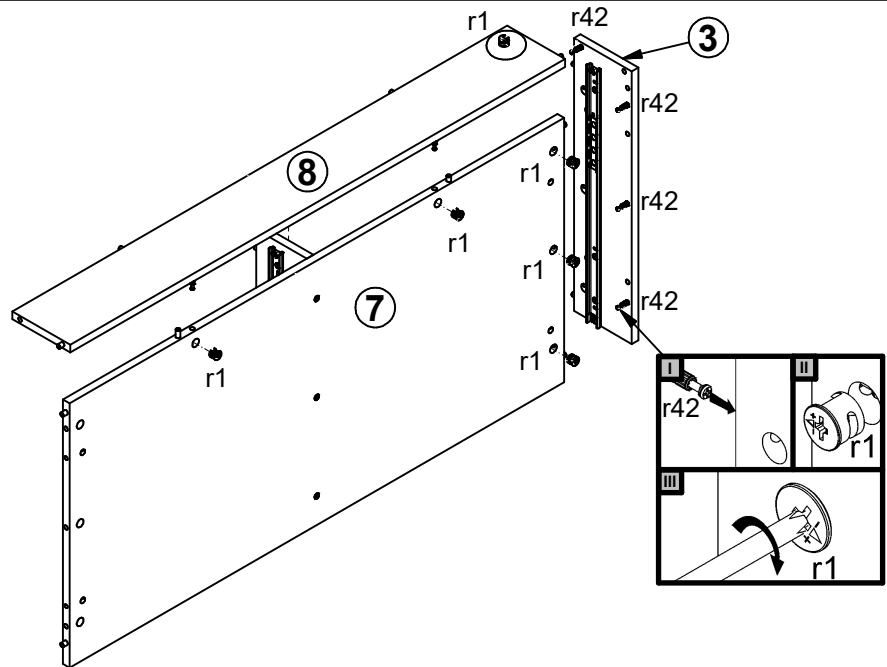
1 §2



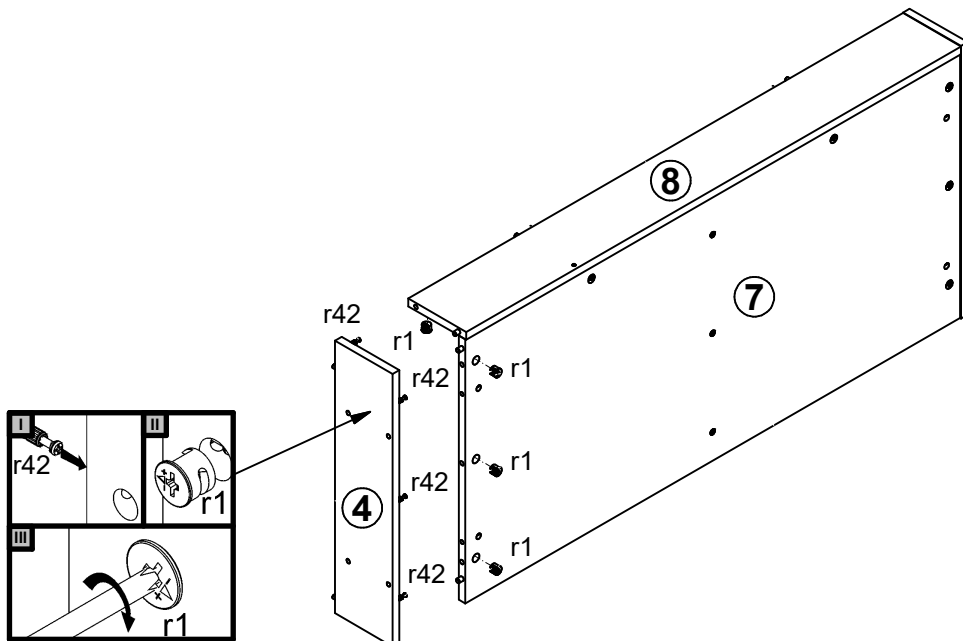
2



3

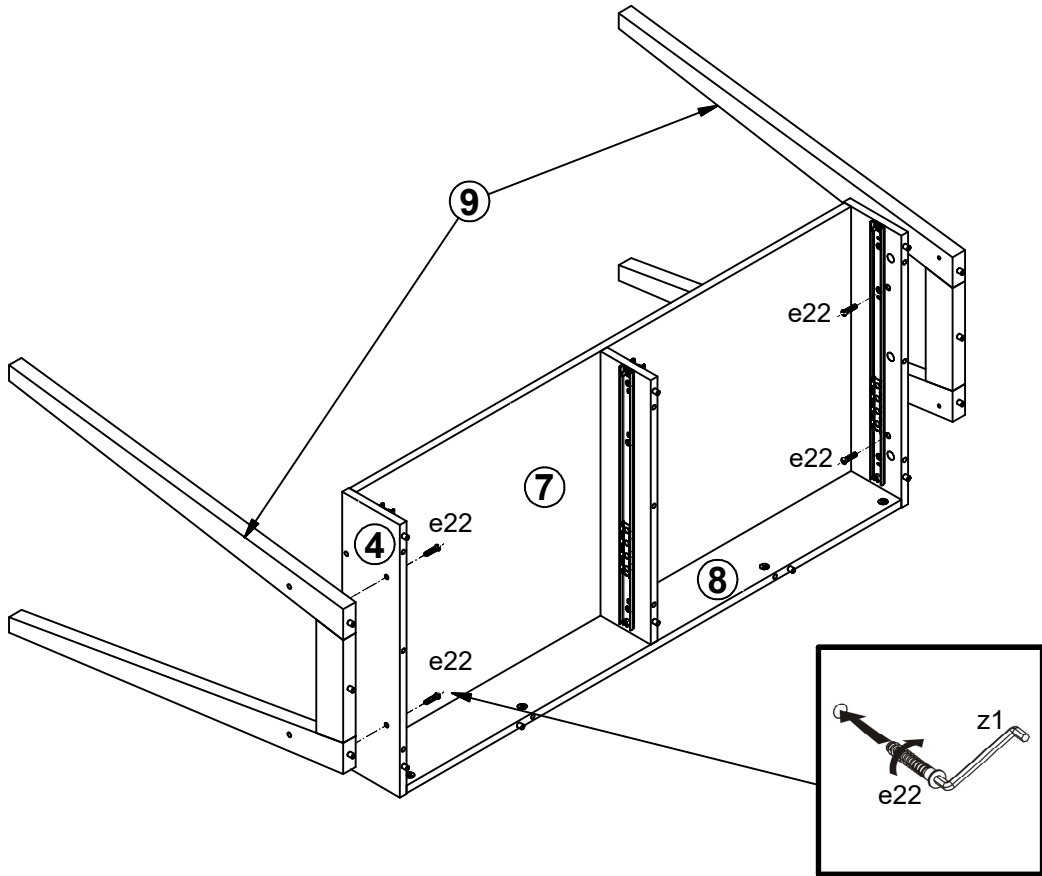


4

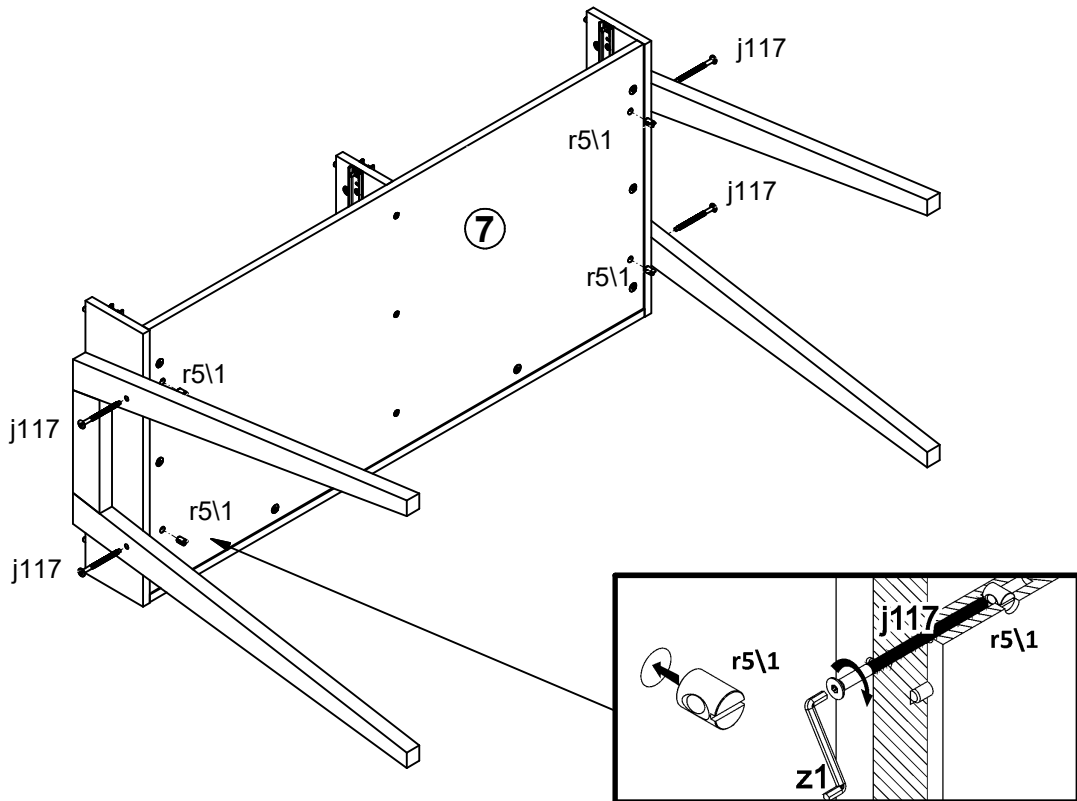


5

I



II



6

