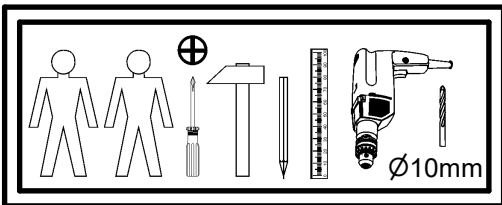
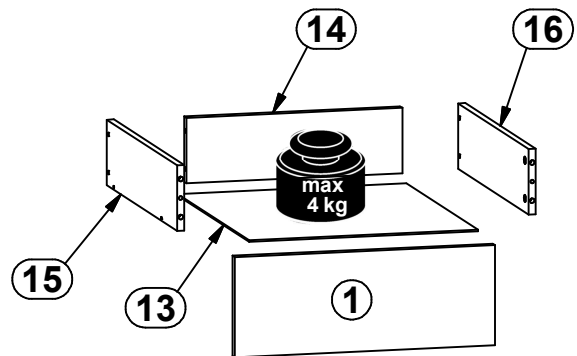
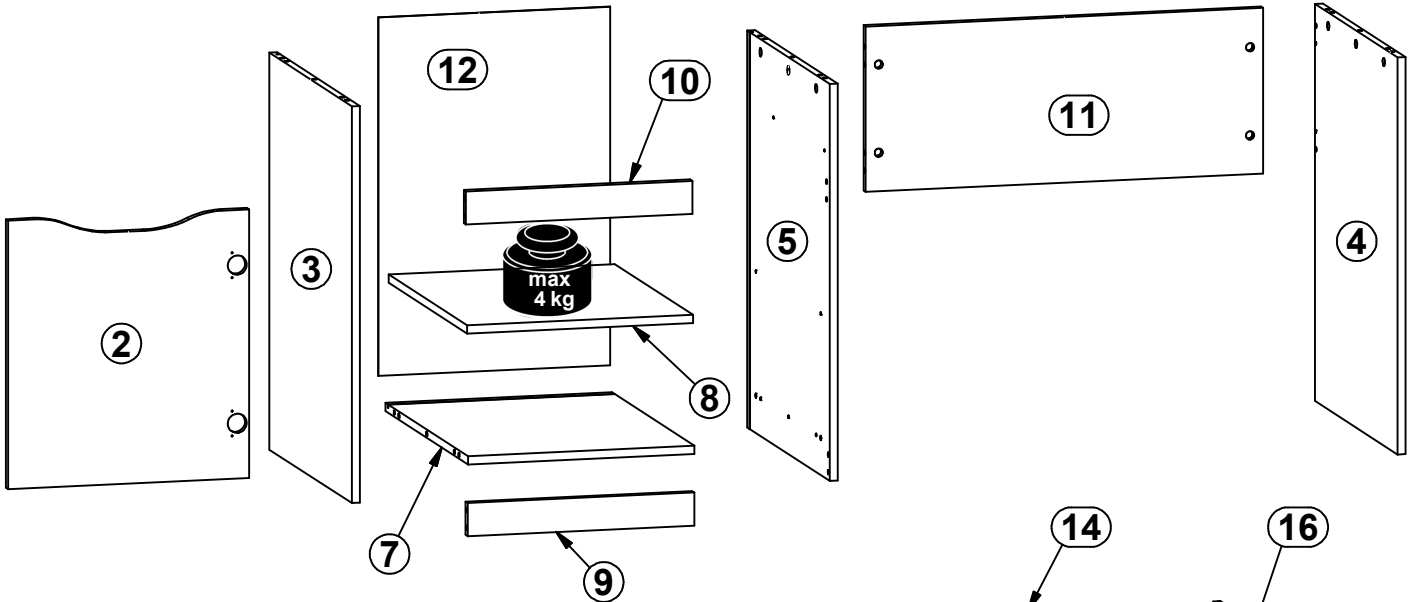
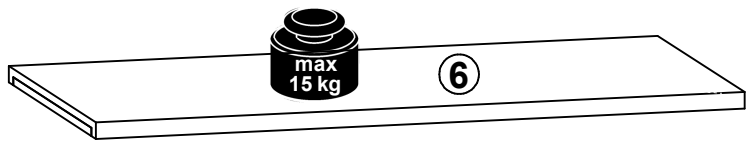
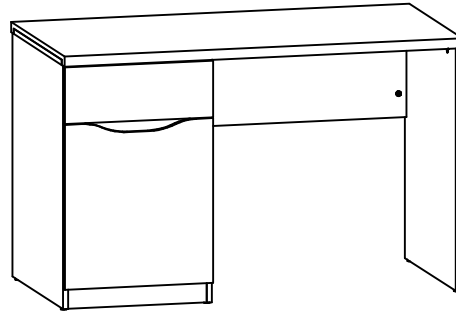
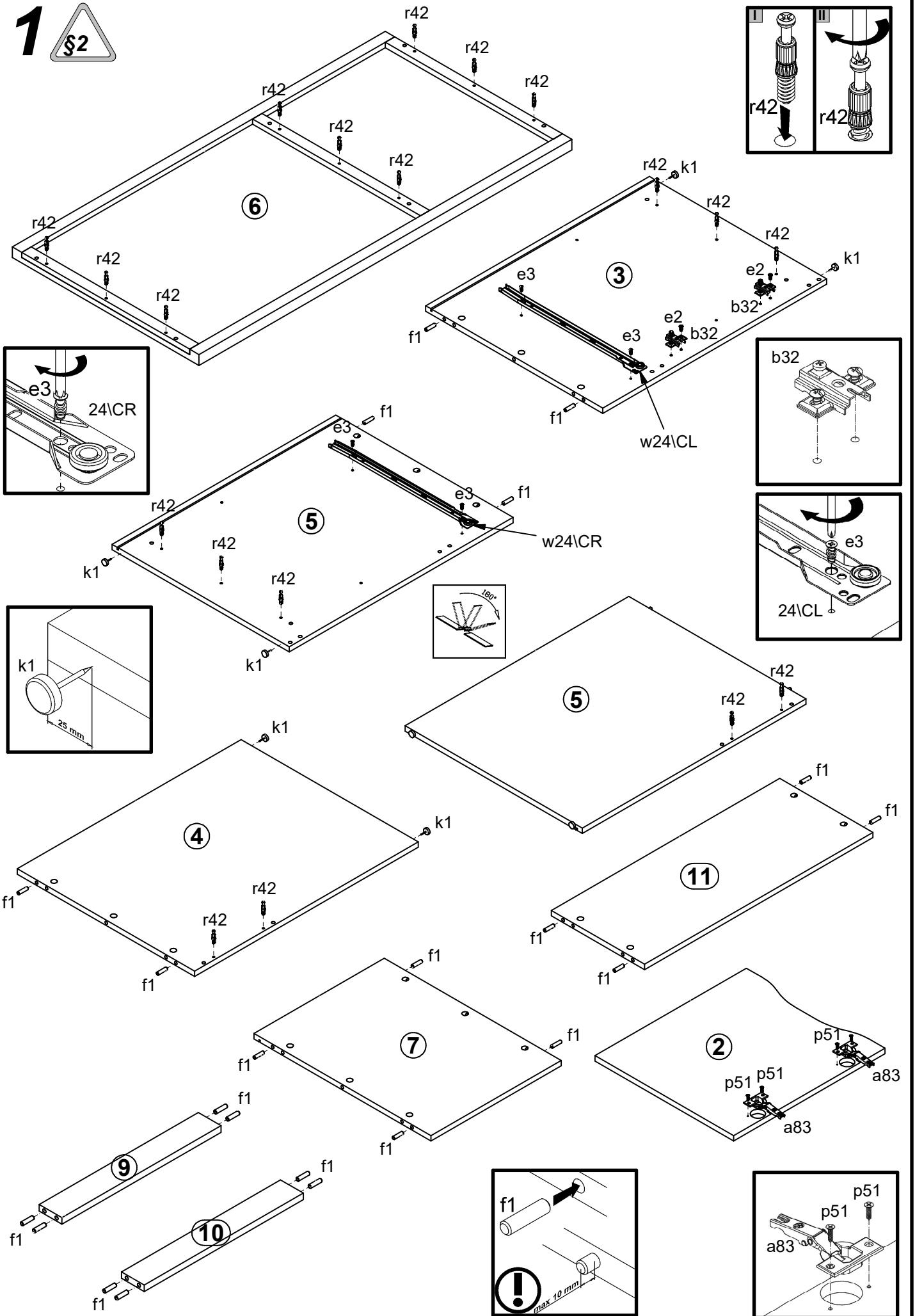


A	B	C	D	
1	S396-0029	446	168	2/2
2	S396-0030	487	446	2/2
3	S396-1039	720	570	1/2
4	S396-1040	720	570	1/2
5	S396-1041	720	570	1/2
6	S396-2010	1200	600	2/2
7	S396-3021	419	569	1/2
8	S396-3022	418	541	1/2
9	S396-4017	419	60	1/2
10	S396-4018	419	60	1/2
11	S396-5006	735	300	1/2
12	S396-9013	650	429	1/2
13	S396-9014	392	457	2/2
14	ZS7-5028	370	110	1/2
15	ZS7-545	450	110	2/2
16	ZS7-546	450	110	2/2

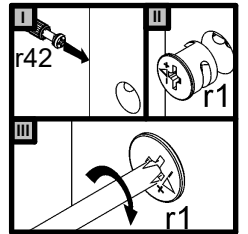
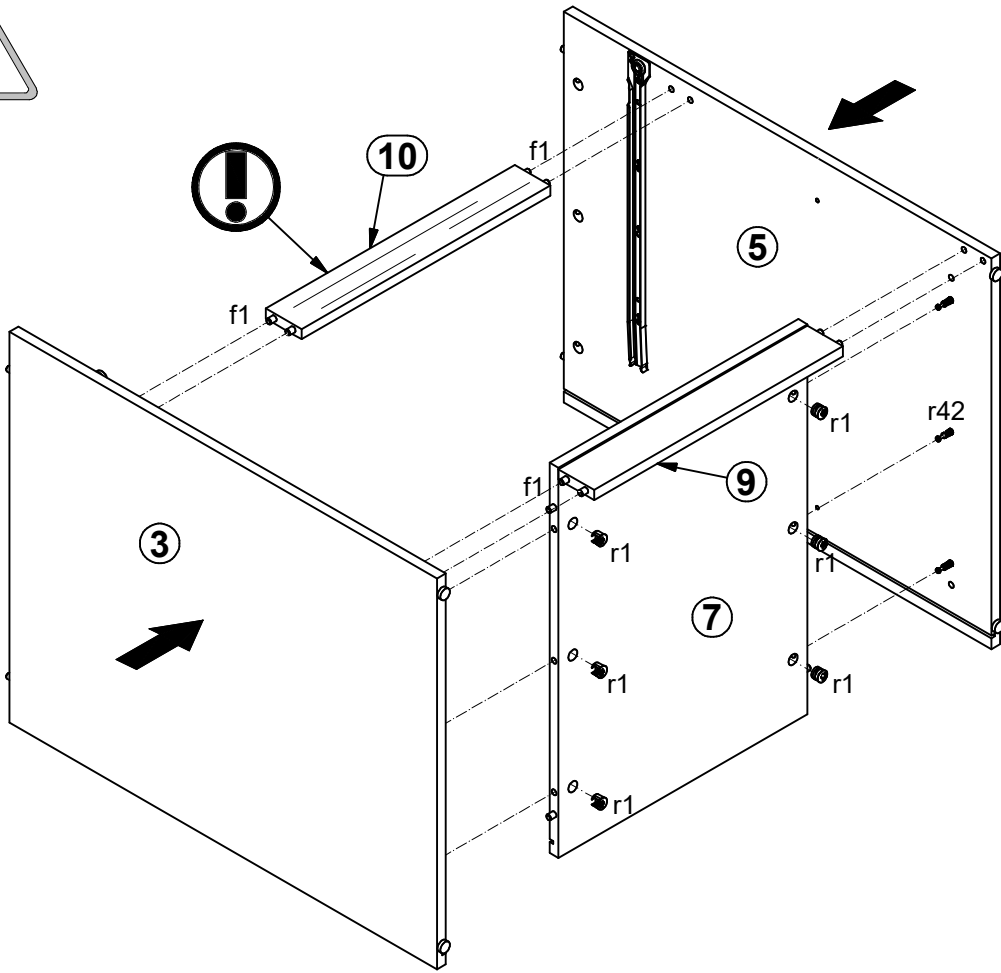


2x a83	2x b32	4x d1 Ø5x17 mm	4x e3 Ø6x13 mm	4x e19 Ø5x9 mm	22x f1 Ø8x30 mm	2x f9 Ø6x30 mm	4x f25 Ø6.5x40 mm	6x k1
6x l2	4x o21 silikon	3x p38 Ø3.5x16 mm	4x p51 Ø3.5x15 mm	19x r1 Ø15x12 mm #16	4x r15 Ø12x10.5 mm #12	23x r42 20/11	1x w24 CL 450 mm	1x w24 CR 450 mm
1x w24 DL 450 mm	1x w24 DR 450 mm	7x s2 Ø16						

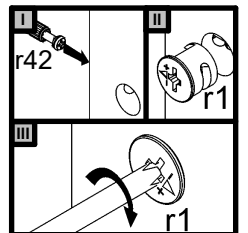
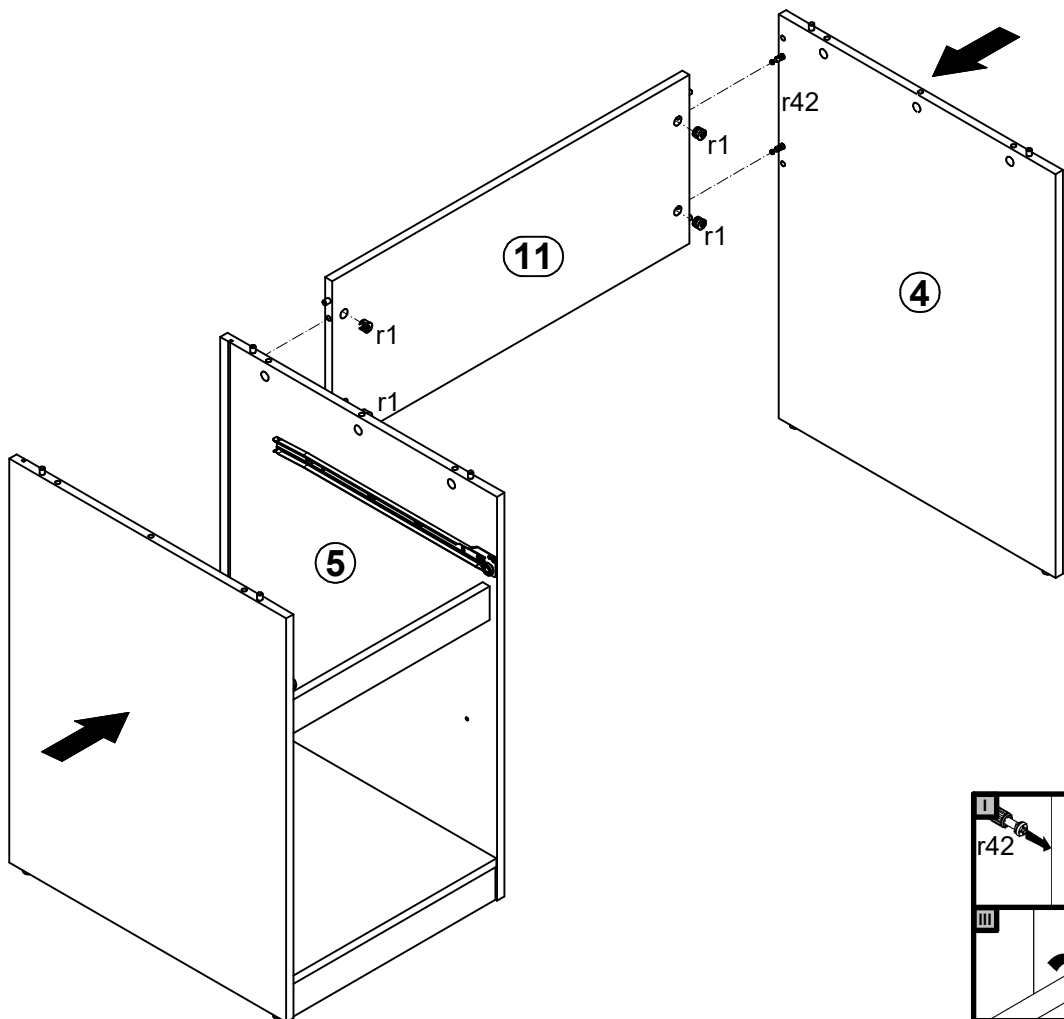
1 §2

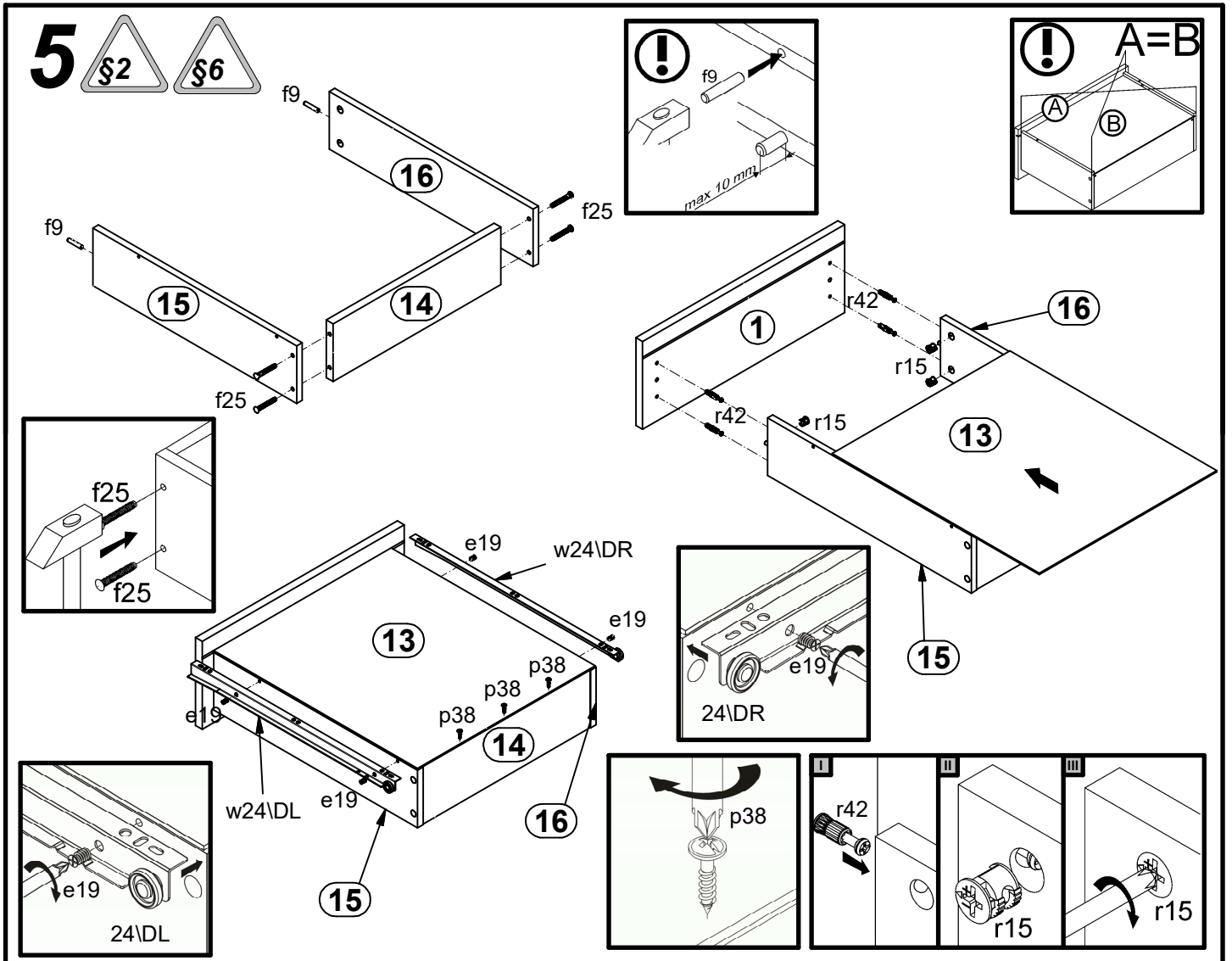
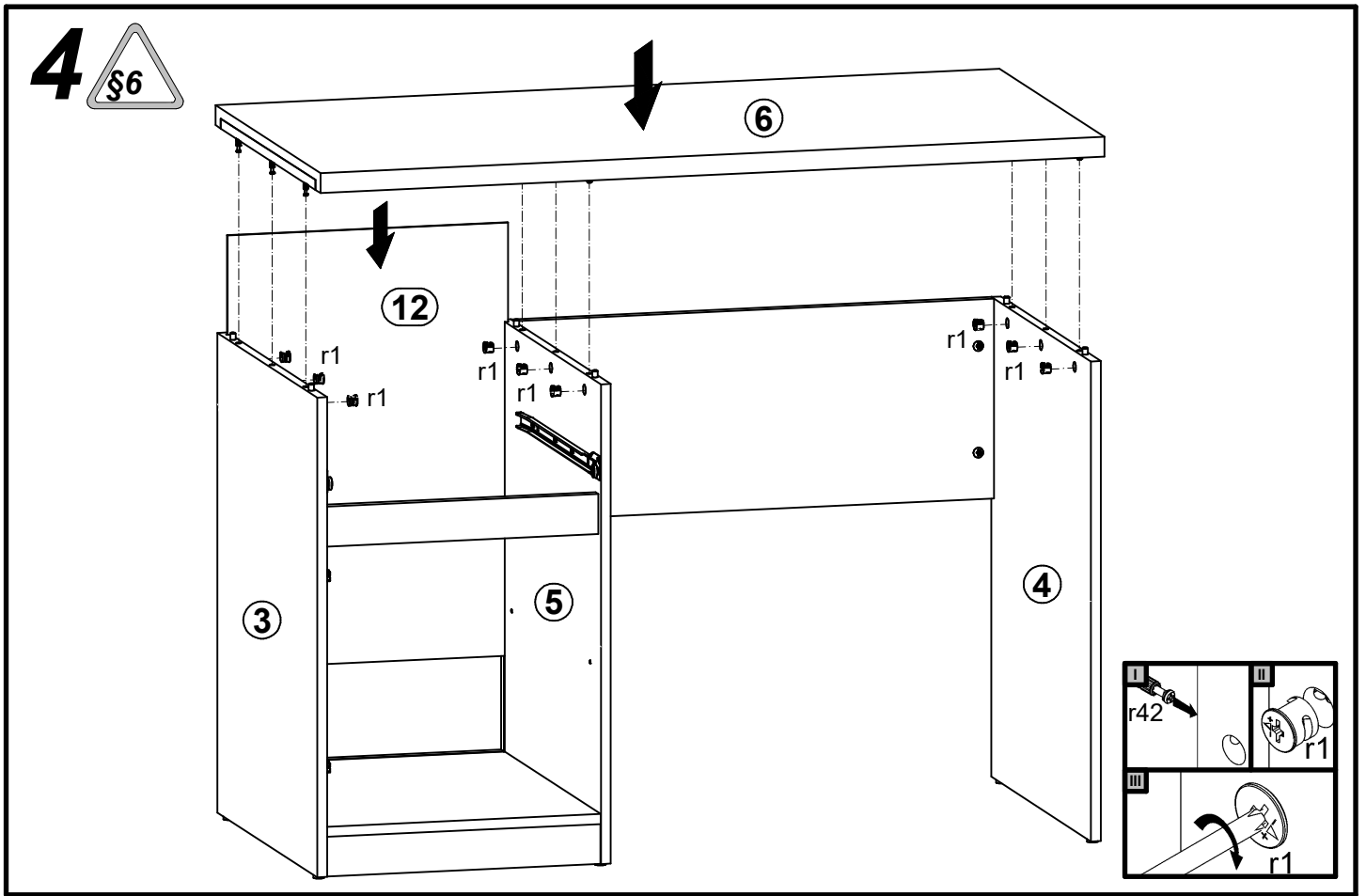


2 §6



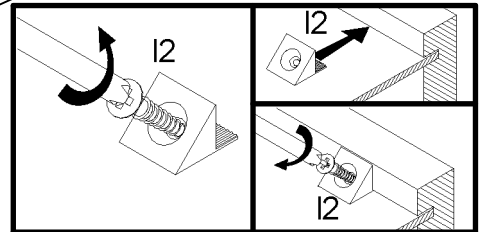
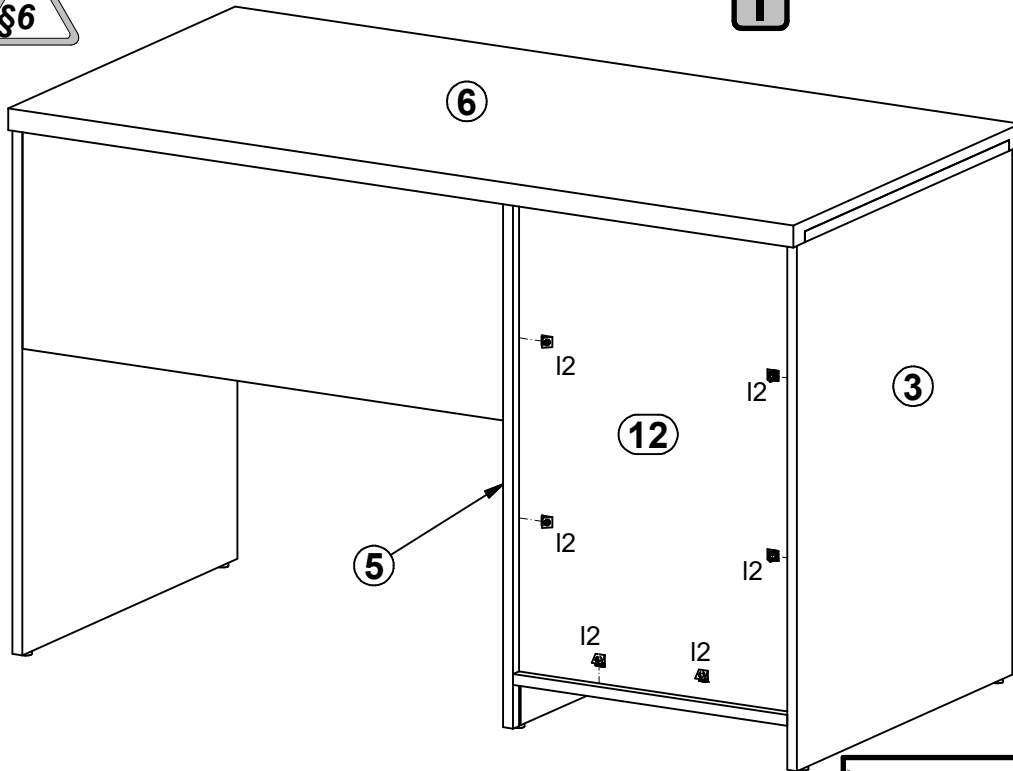
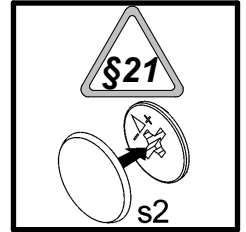
3 §6





6 §6

I



III

