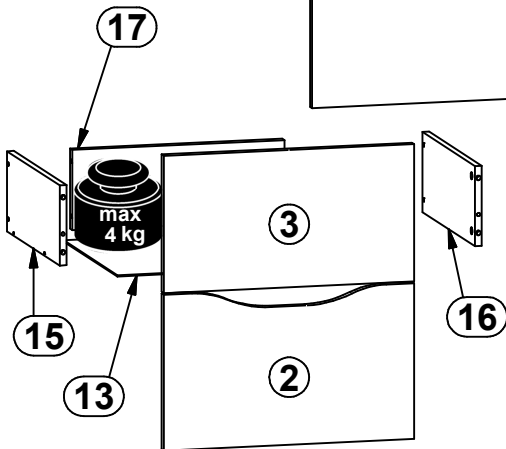
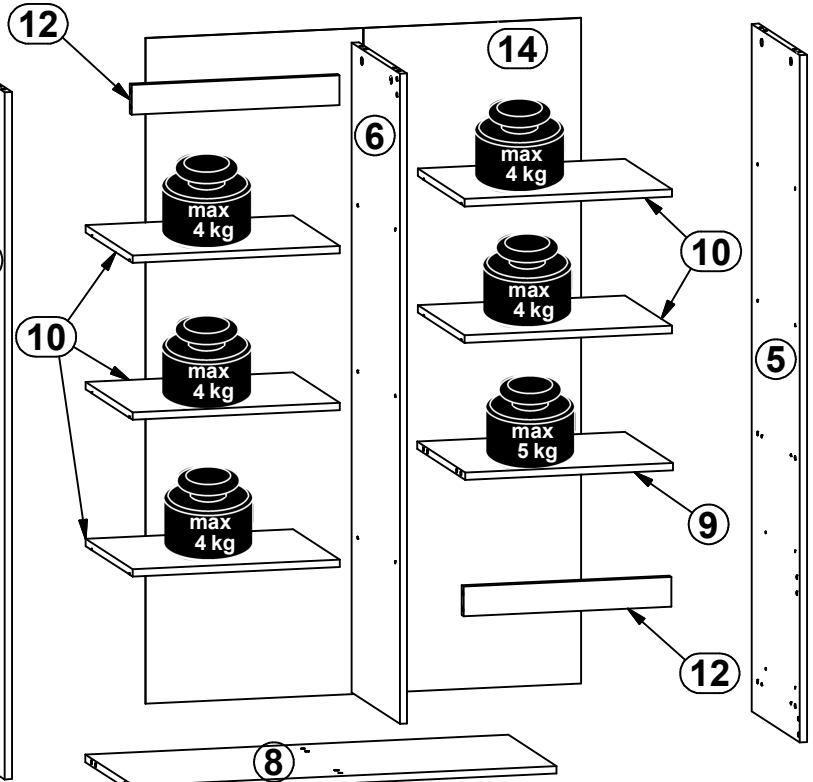
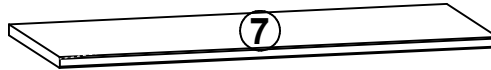
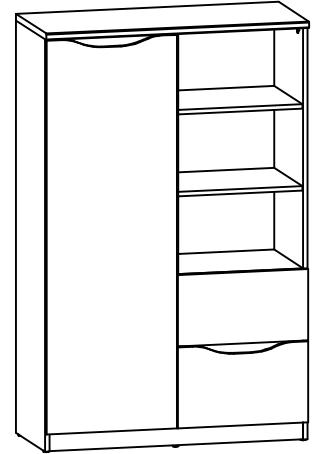
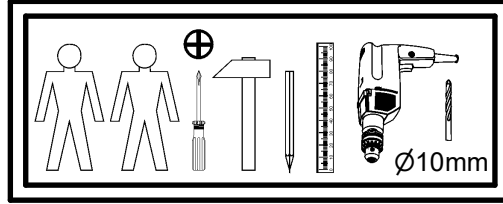
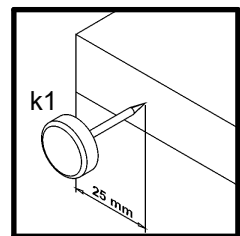
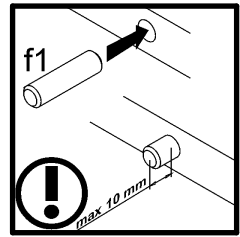
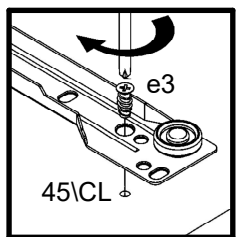
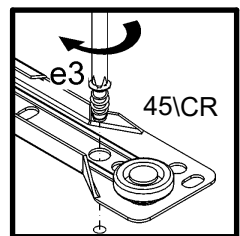
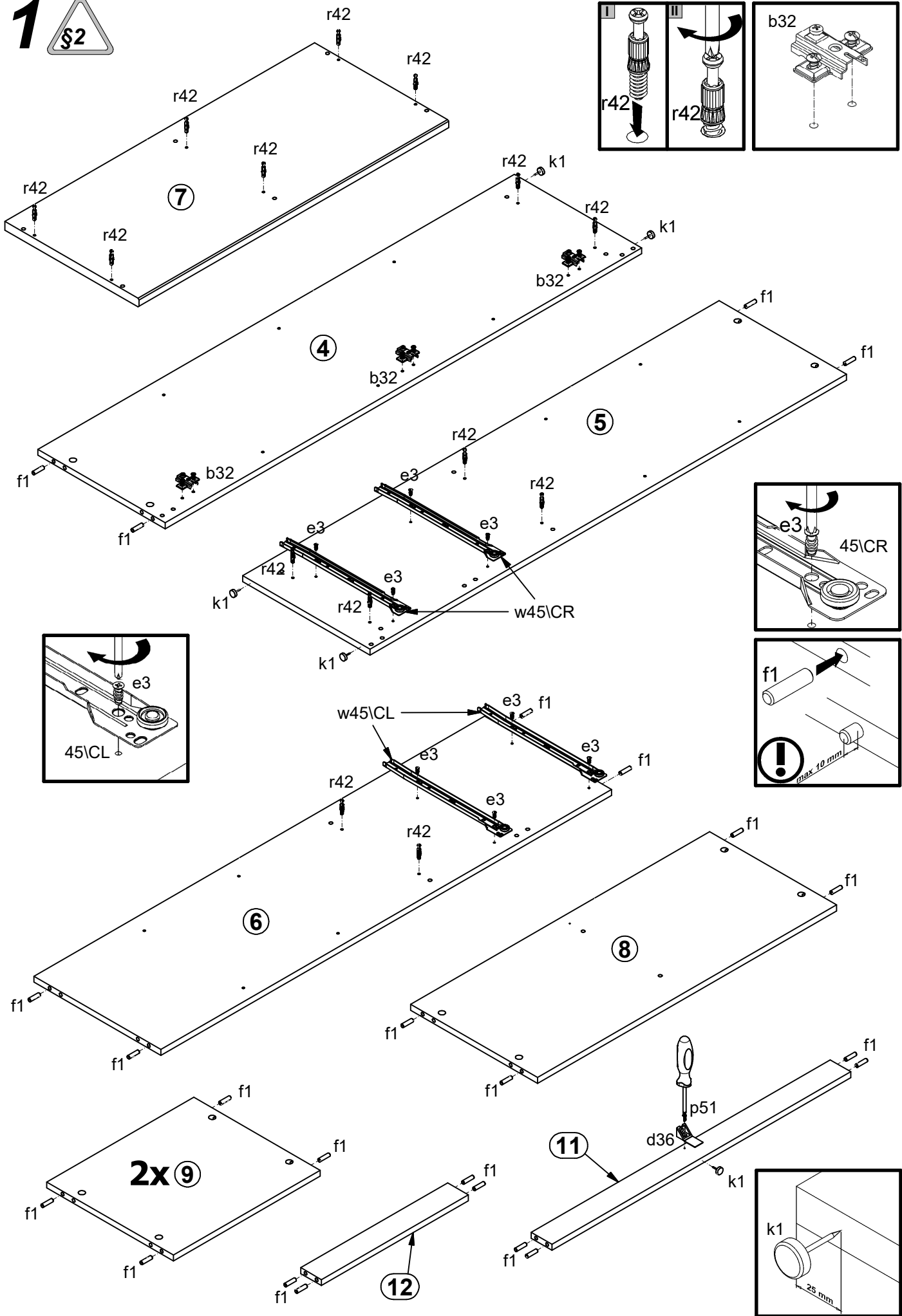
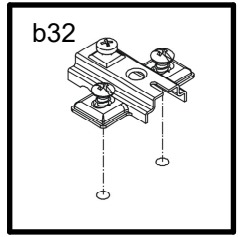
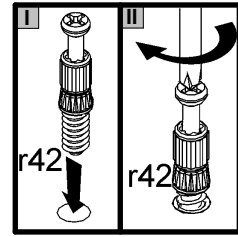


A	B	C	D	
1	S396-0022	1322	446	3/3
2	S396-0023	446	272	3/3
3	S396-0024	446	240	3/3
4	S396-1031	1385	370	1/3
5	S396-1032	1385	370	1/3
6	S396-1033	1310	369	1/3
7	S396-2007	900	390	2/3
8	S396-3012	869	369	1/3
9	S396-3013	427	368	1/3
10	S396-3014	426	360	2/3
11	S396-4010	869	60	2/3
12	S396-4011	427	60	2/3
13	S396-9010	400	357	2/3
14	S396-9305	1341	895	3/3
15	ZS7-513	350	140	2/3
16	ZS7-514	350	140	2/3
17	ZS7-5058	378	140	2/3

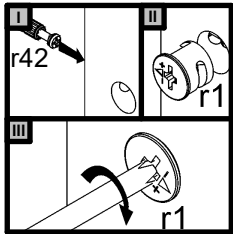
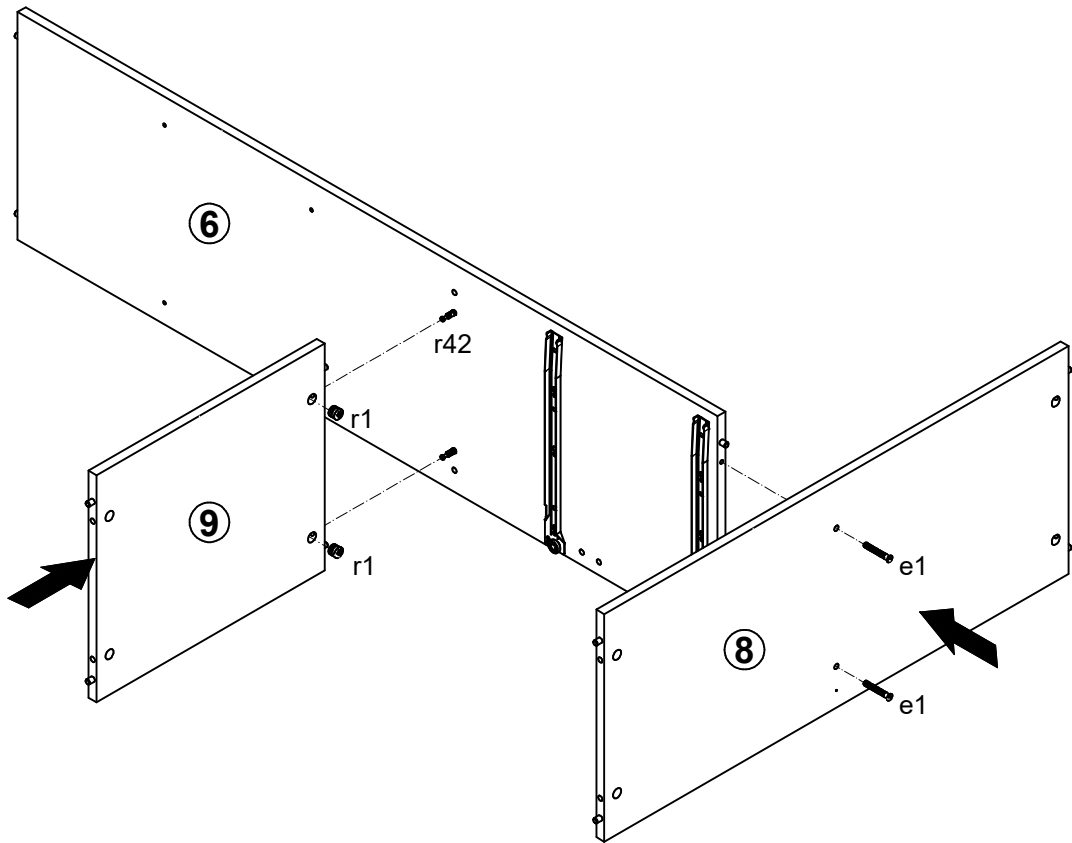


3x a83	3x b32	20x d1 Ø5x17 mm	1x d36	2x e1 Ø7x50 mm	8x e3 Ø6x13 mm	8x e19 Ø5x9 mm	28x f1 Ø8x30 mm	4x f9 Ø6x30 mm
25x f25 Ø6,5x40 mm	5x k1	50x l1	7x n108 22x9,5x20,7 mm	6x o21 silikon	6x p38 Ø3,5x16 mm	8x p51 Ø3,5x15 mm	7x p55 Ø2,9x16 mm	14x r1 Ø15x12 mm #16
8x r15 Ø12x10,5 mm #12	22x r42 20/11	2x w45\CL 350 mm	2x w45\CR 350 mm	2x w45\DL 350 mm	2x w45\DR 350 mm	6x s2 Ø16	1x z1 4 mm	
						1x n26	1x p38 Ø3,5x16 mm	

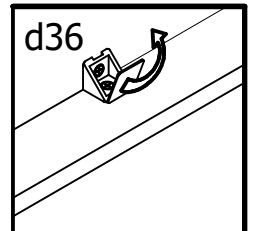
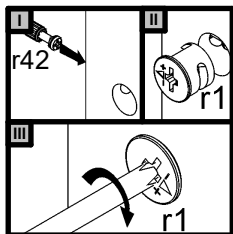
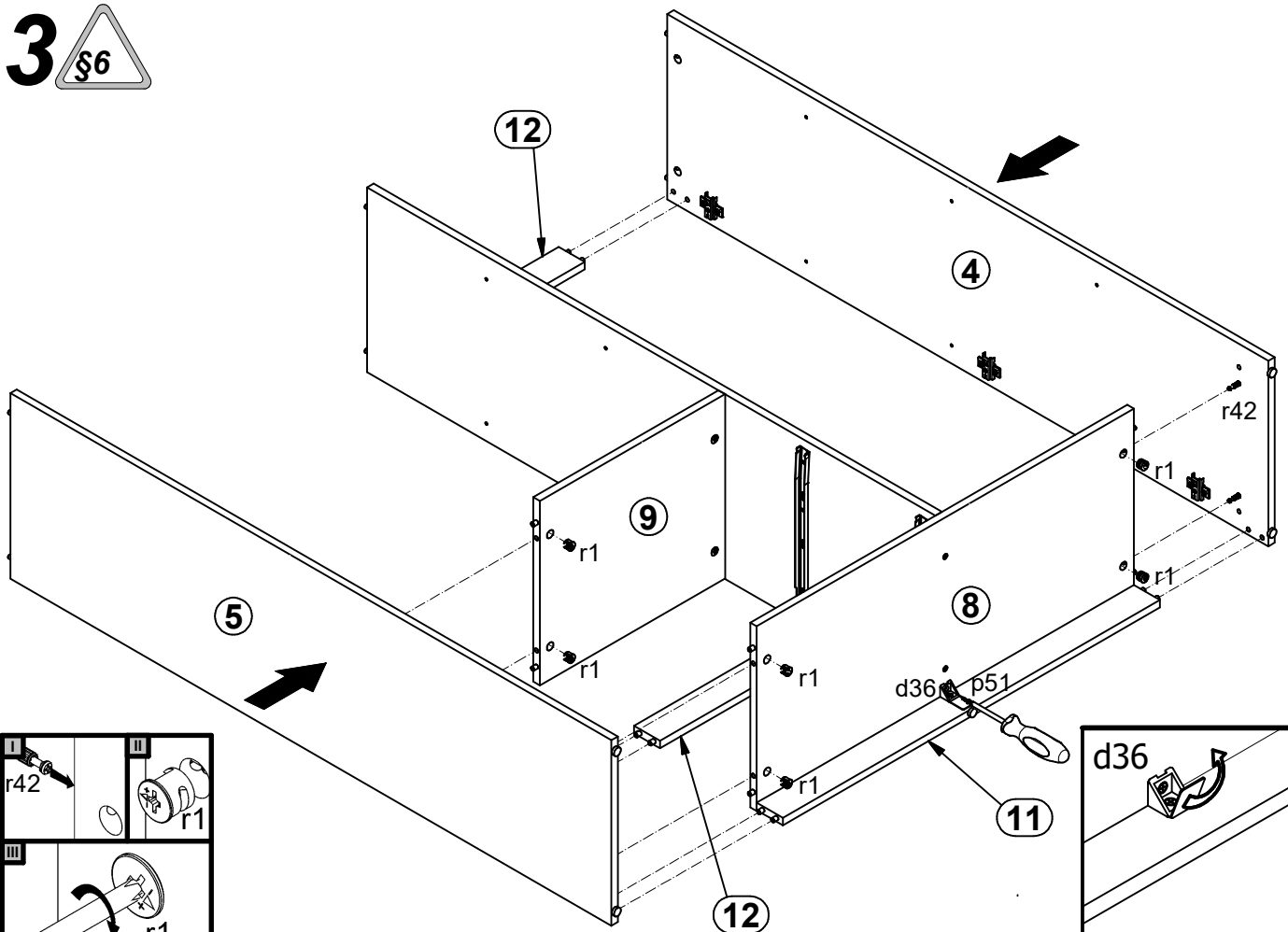
1 

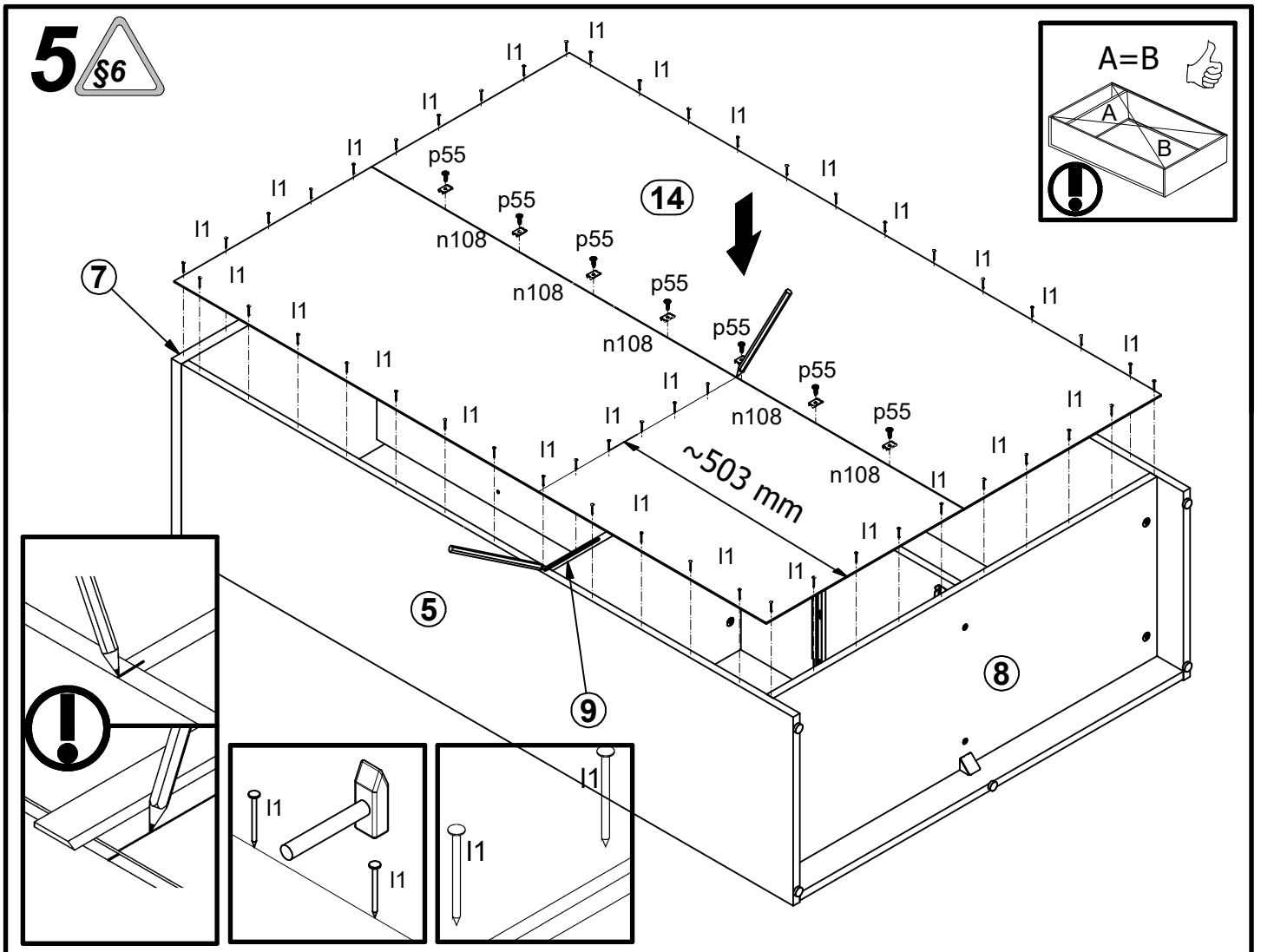
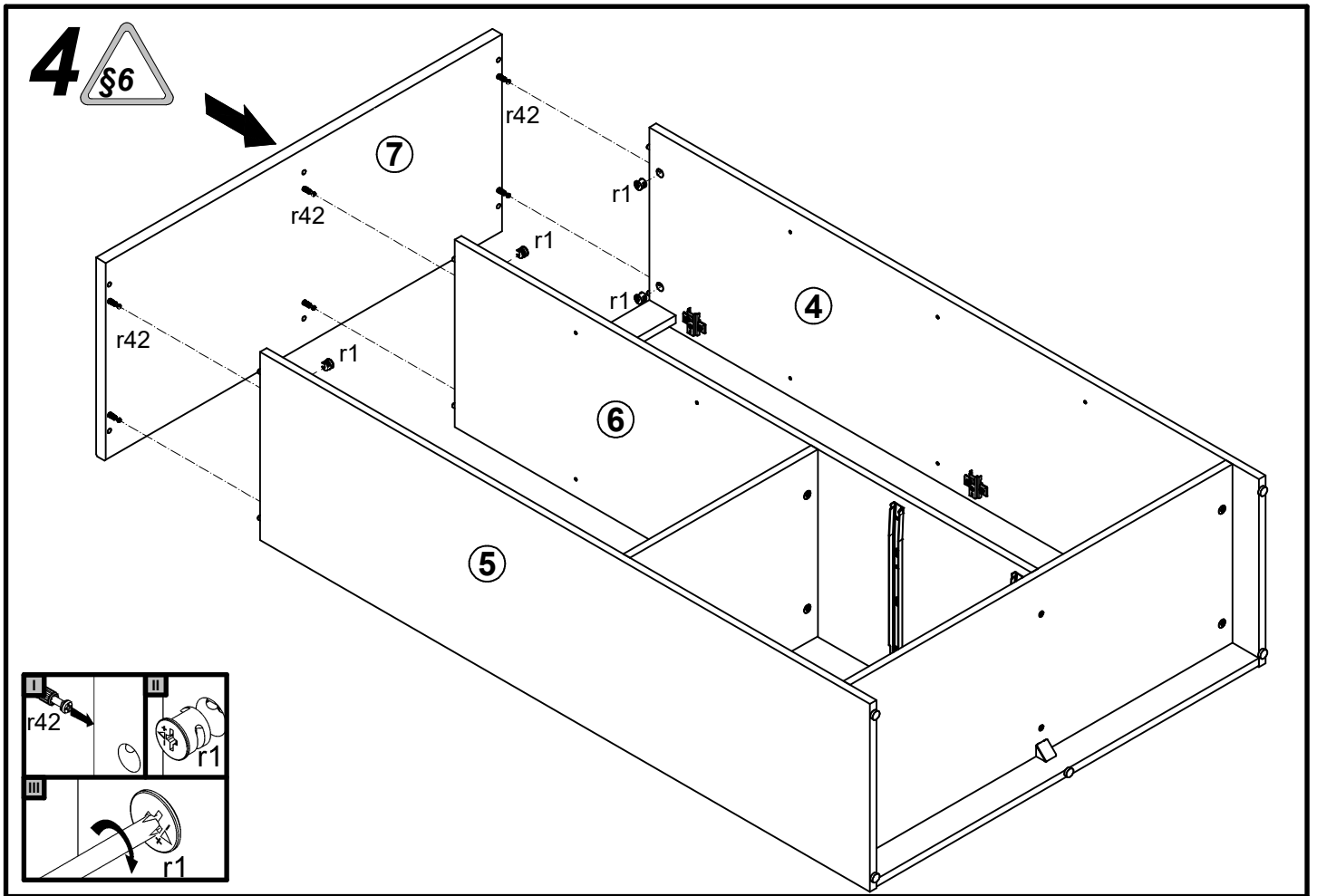


2 §6



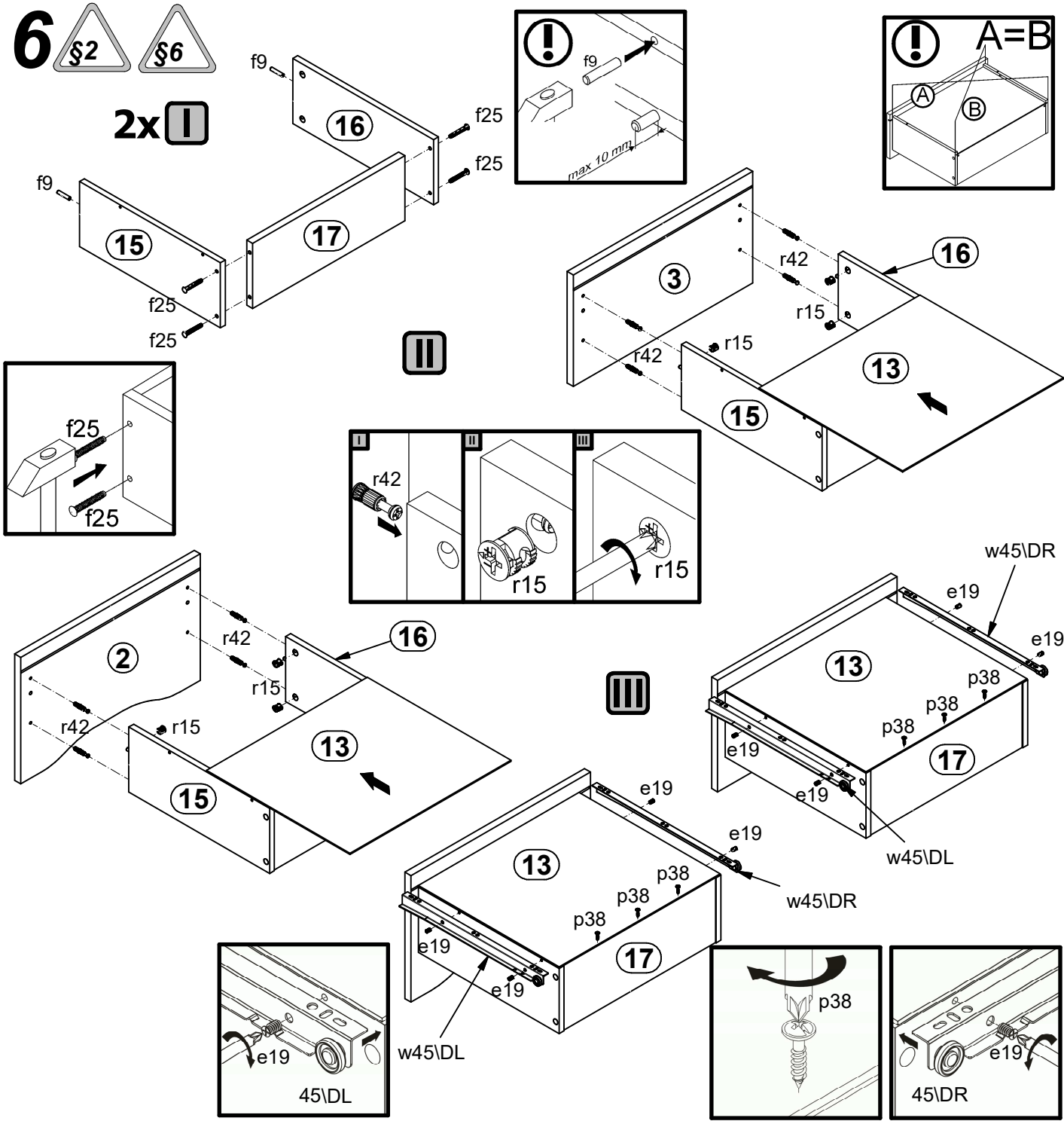
3 §6



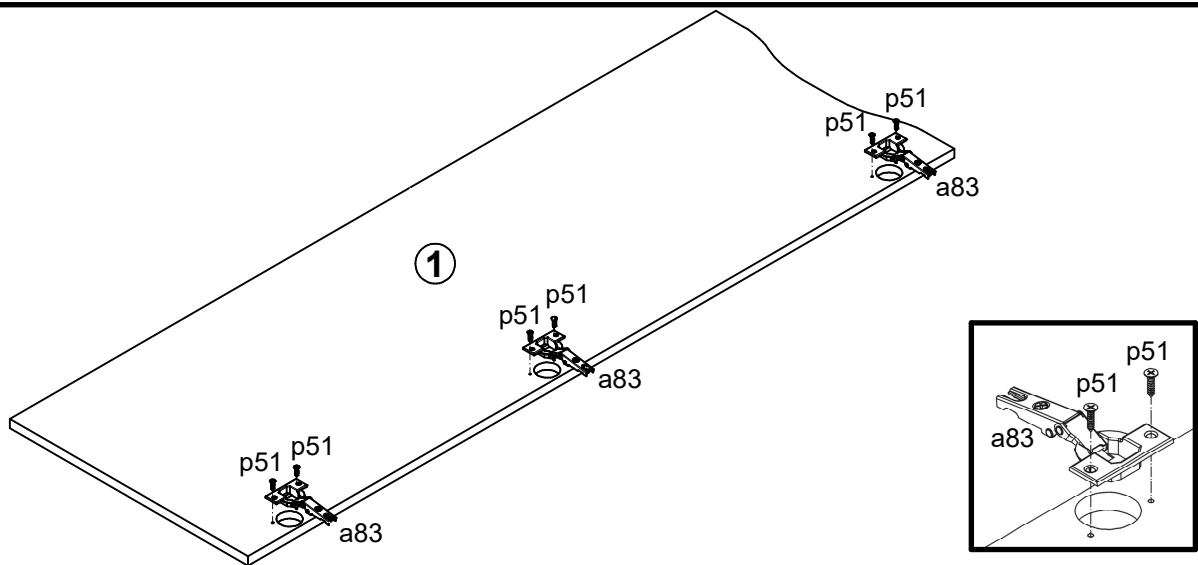


6 §2 §6

2x I



7 §2



8

