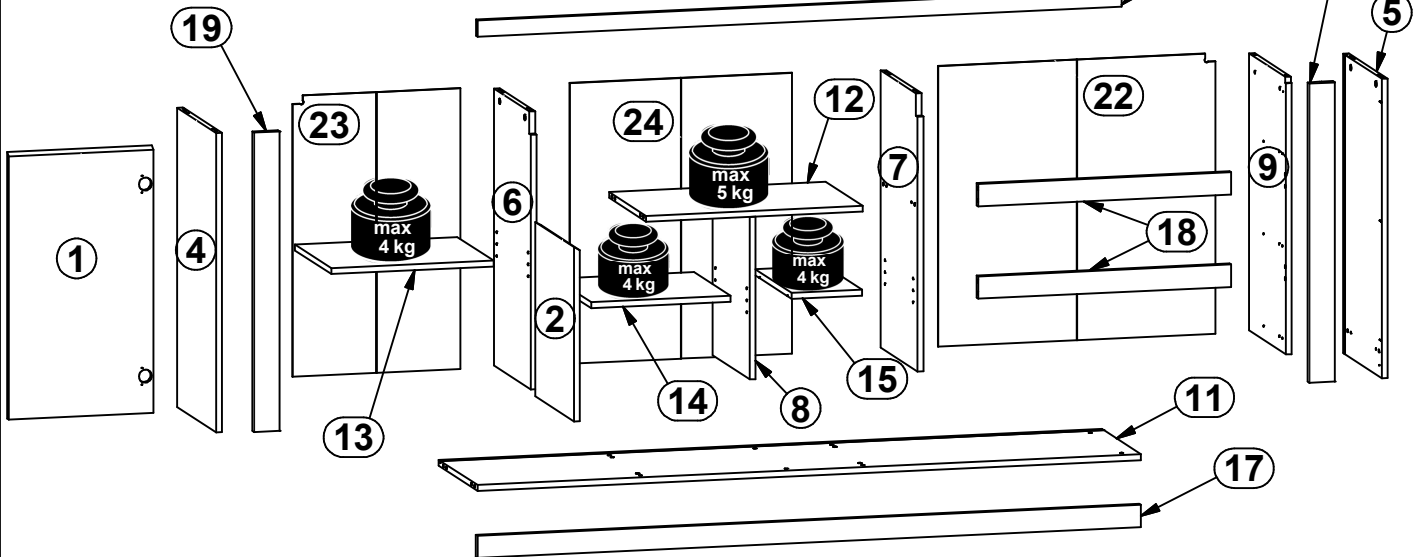
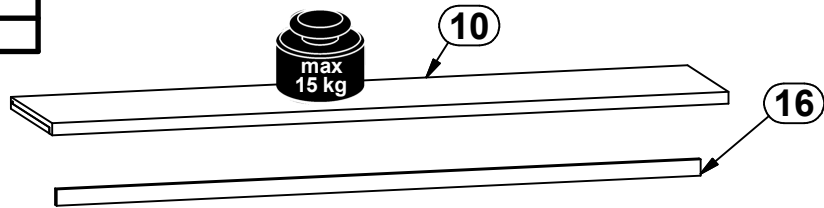
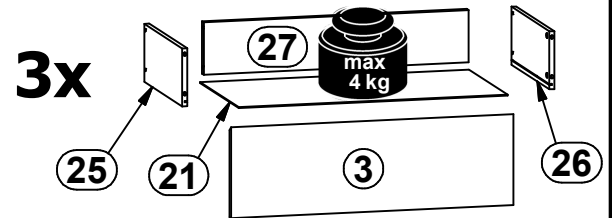
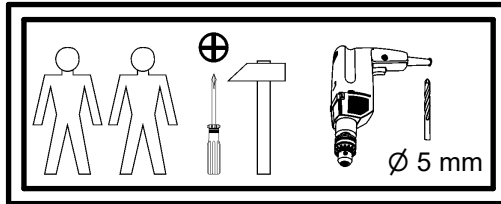
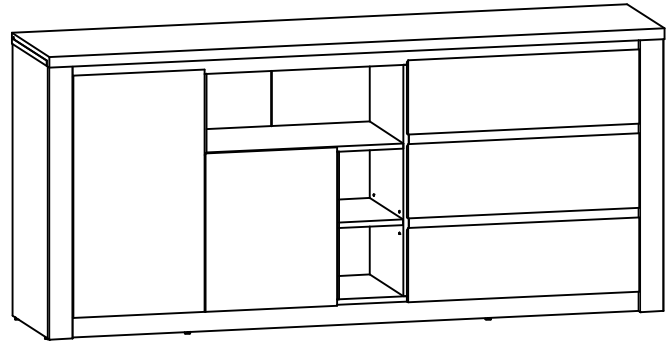
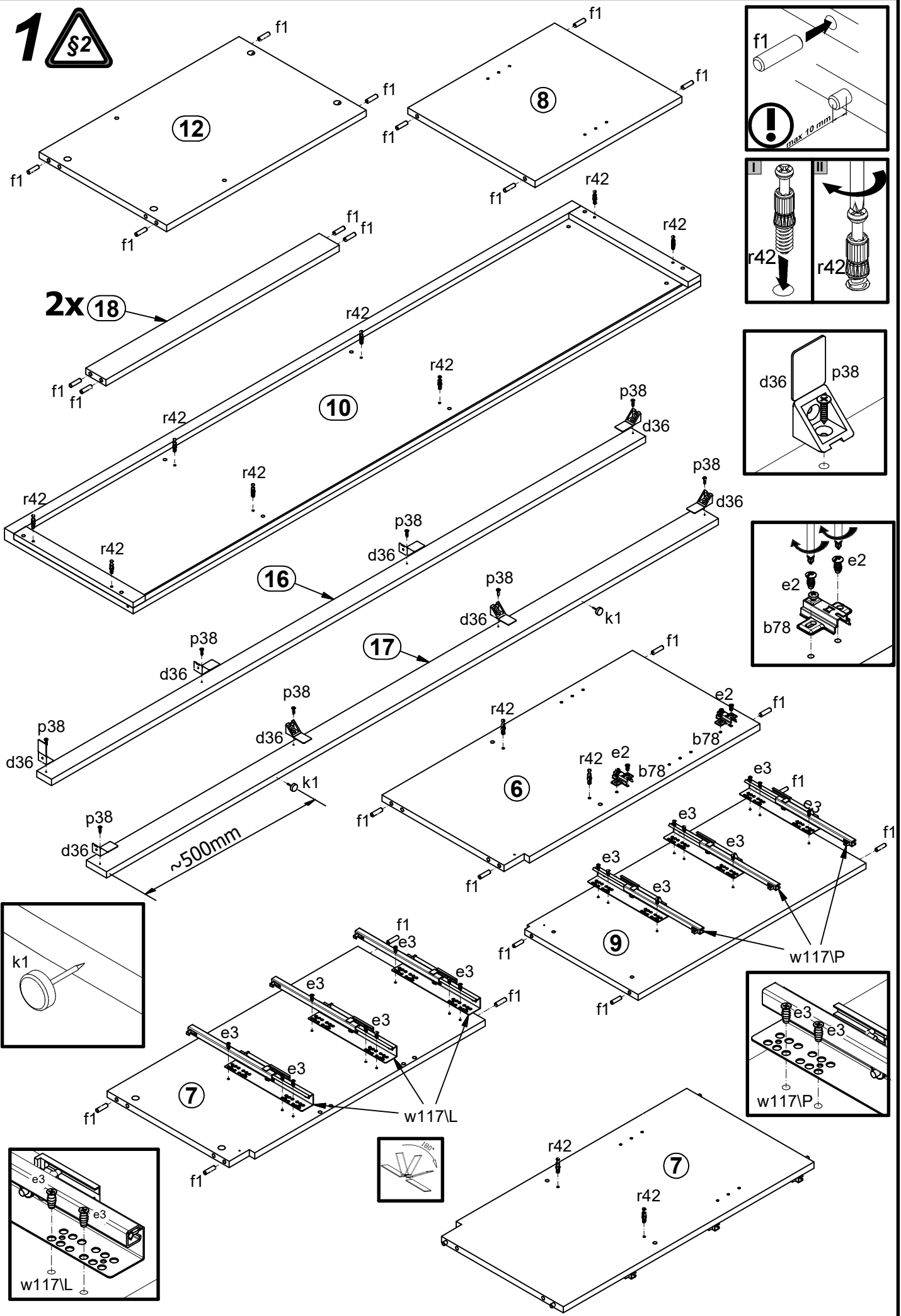


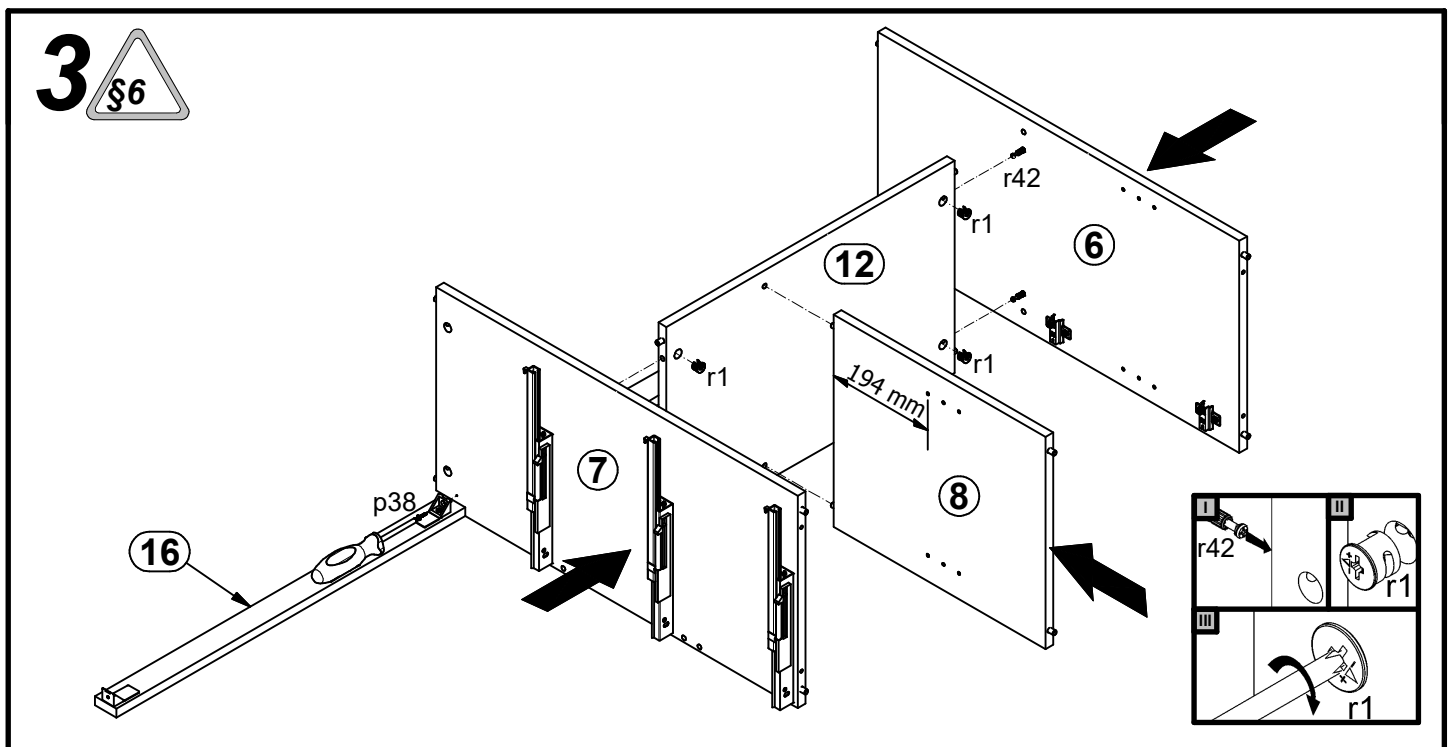
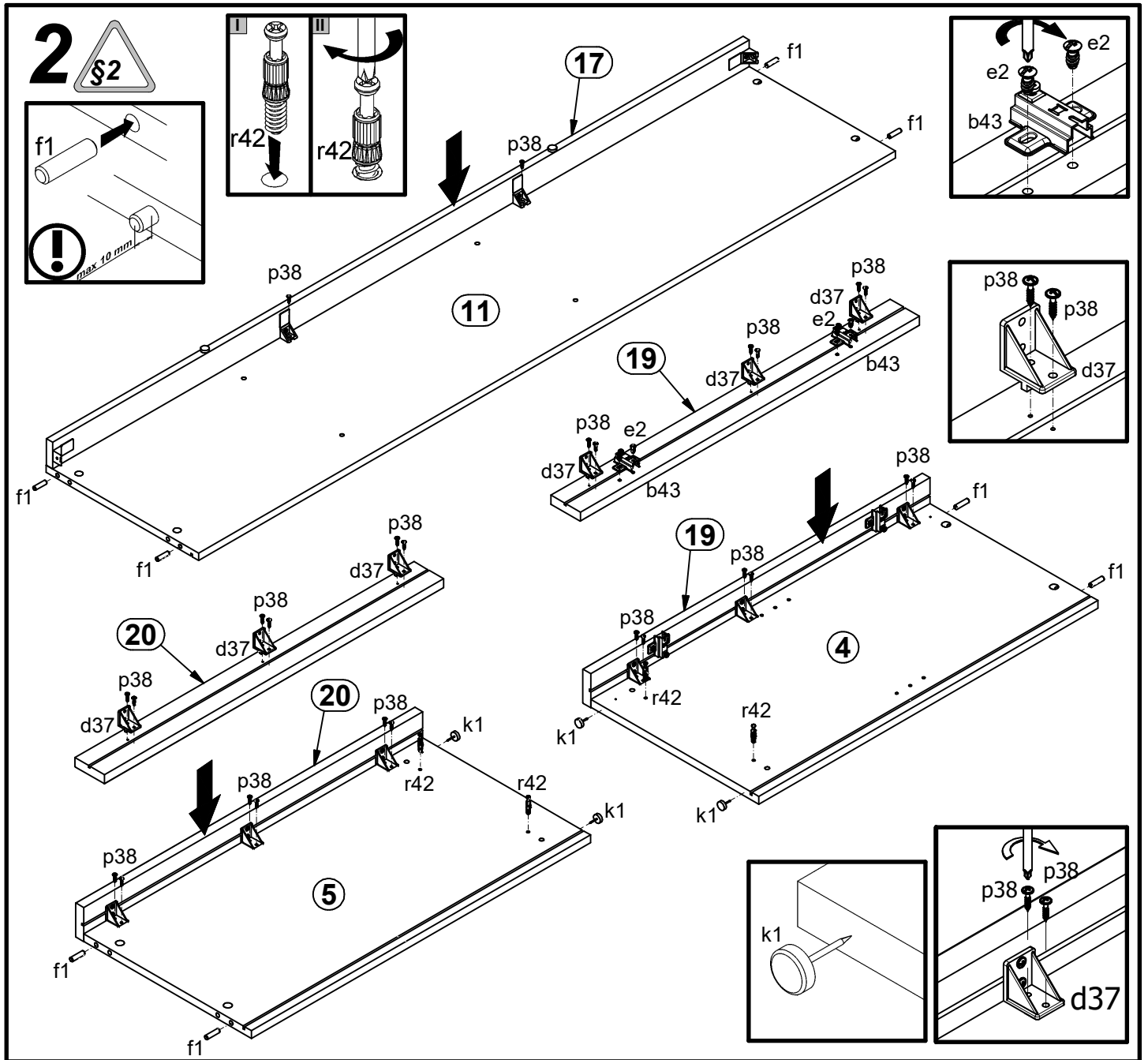
A	B	C	D	
1	S486-0001	716	396	3/3
2	S486-0002	468	396	3/3
3	S486-0003	696	220	3/3
4	S486-1001	804	398	1/3
5	S486-1002	804	398	1/3
6	S486-1003	744	378	1/3
7	S486-1004	744	378	1/3
8	S486-1005	436	378	1/3
9	S486-1006	744	378	1/3
10	S486-2001	1853	420	2/3
11	S486-3001	1817	398	2/3
12	S486-3002	593	378	3/3
13	S486-3003	445	373	3/3
14	S486-3004	382	373	3/3
15	S486-3005	193	373	3/3
16	S486-4001	1764	44	2/3
17	S486-4002	1817	60	2/3
18	S486-4003	693	60	2/3
19	S486-5001	804	70	1/3
20	S486-5002	804	70	1/3
21	S486-9001	663	357	2/3
22	S486-9301	754	759	1/3
23	S486-9302	754	459	1/3
24	S486-9303	754	609	1/3
25	ZQ6-511	350	140	2/3
26	ZQ6-512	350	140	2/3
27	ZQ6-5238	653	127	2/3



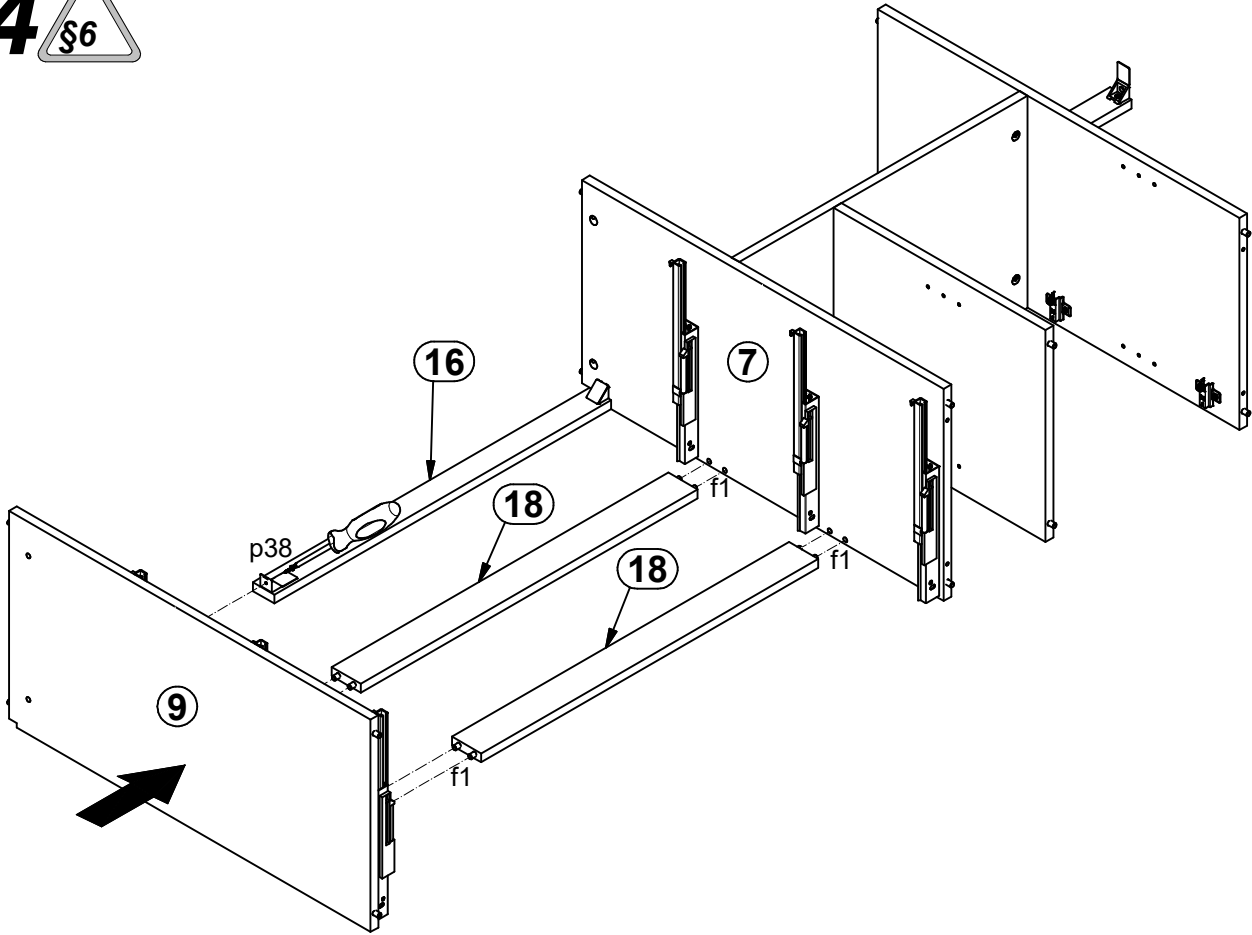
2x a132	2x a159	2x a133	2x b43	2x b78	12x Ø5x17 mm d1	8x d36	6x d37	4x Ø7x50 mm e1
8x Ø6,3x13 mm e2	18x Ø6x13 mm e3	36x Ø8x30 mm f1	12x Ø6,5x40 mm f25	6x k1	12x l2	8x 22x9,5x210,7 mm n108	3x Ø3,5x10 mm p35	40x Ø3,5x16 mm p38
11x Ø3,5x15 mm p51	32x Ø2,9x16 mm p55	16x Ø15x12 mm #16 r1	12x Ø12x10,5 mm #12 r15	28x 20/11 r42	3x 350 mm t35	3x 350 mm W117/L W117/L	3x 350 mm W117/P W117/P	4x Ø 20mm s68
1x 4 mm z1							1x n26	1x Ø3,5x16 mm p38

1 

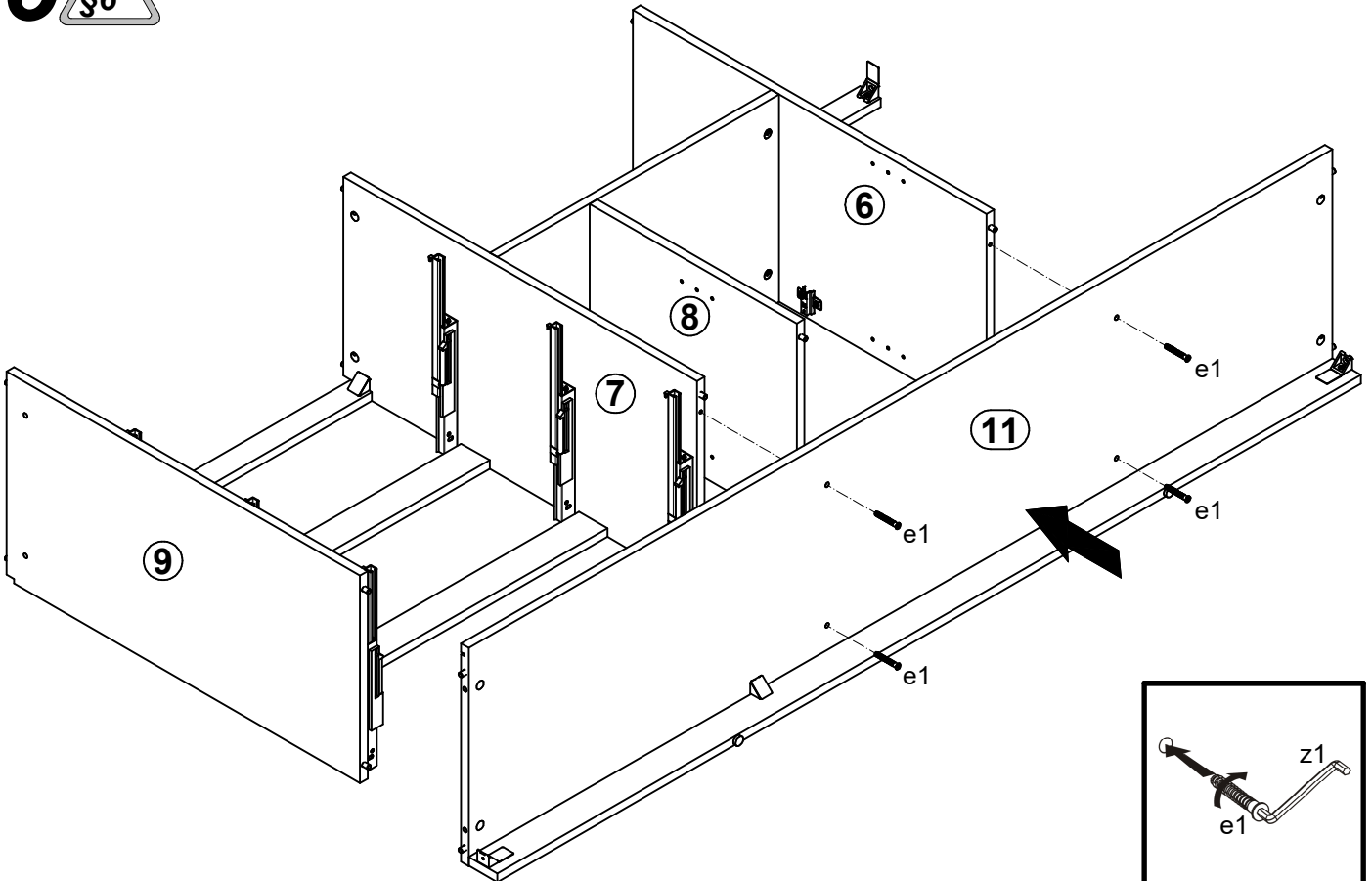




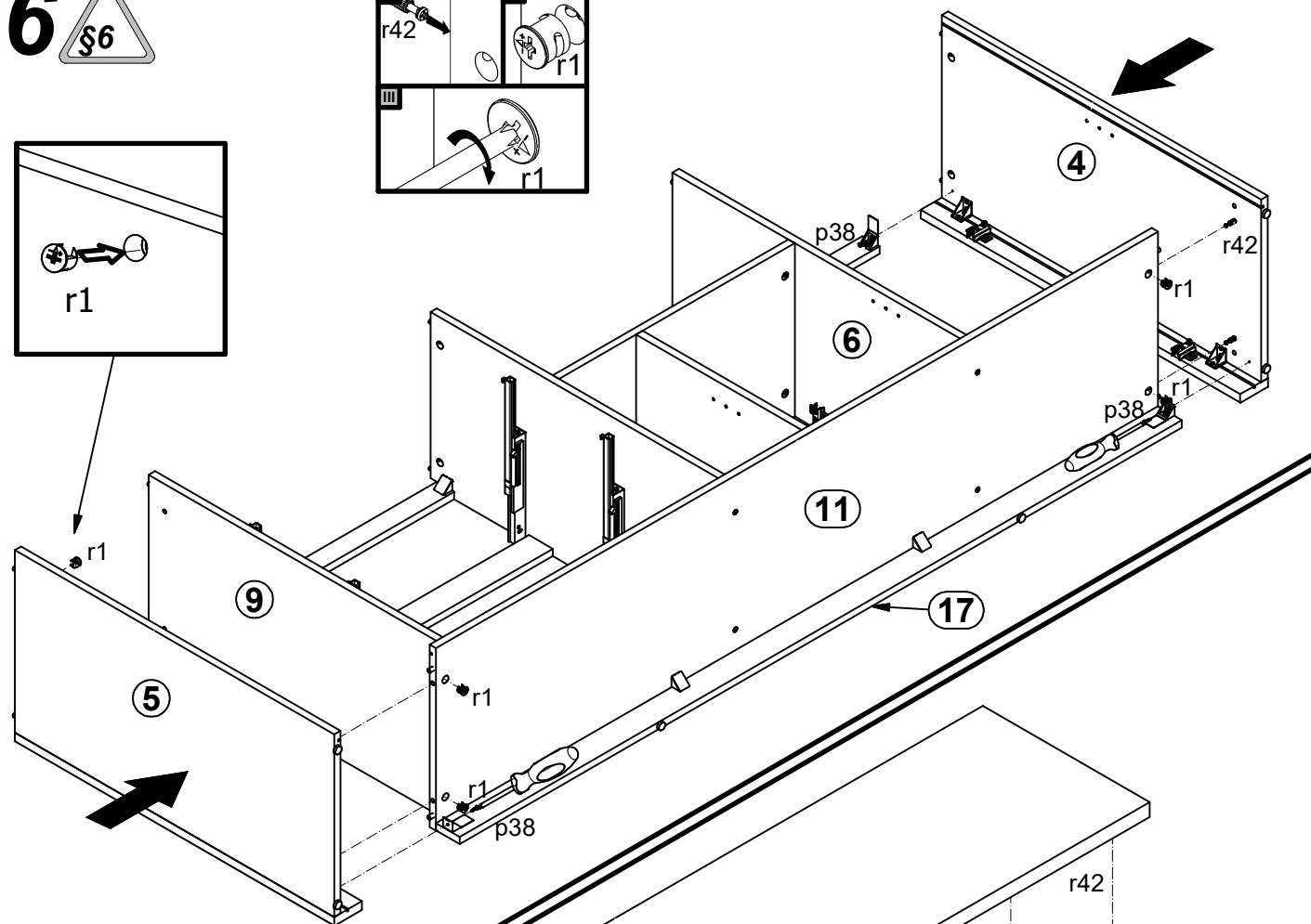
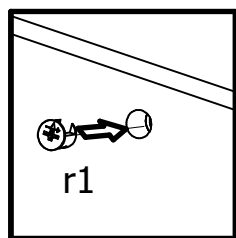
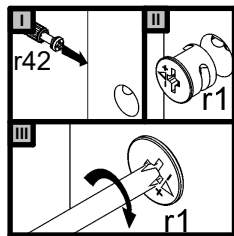
4 §6



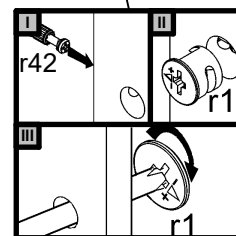
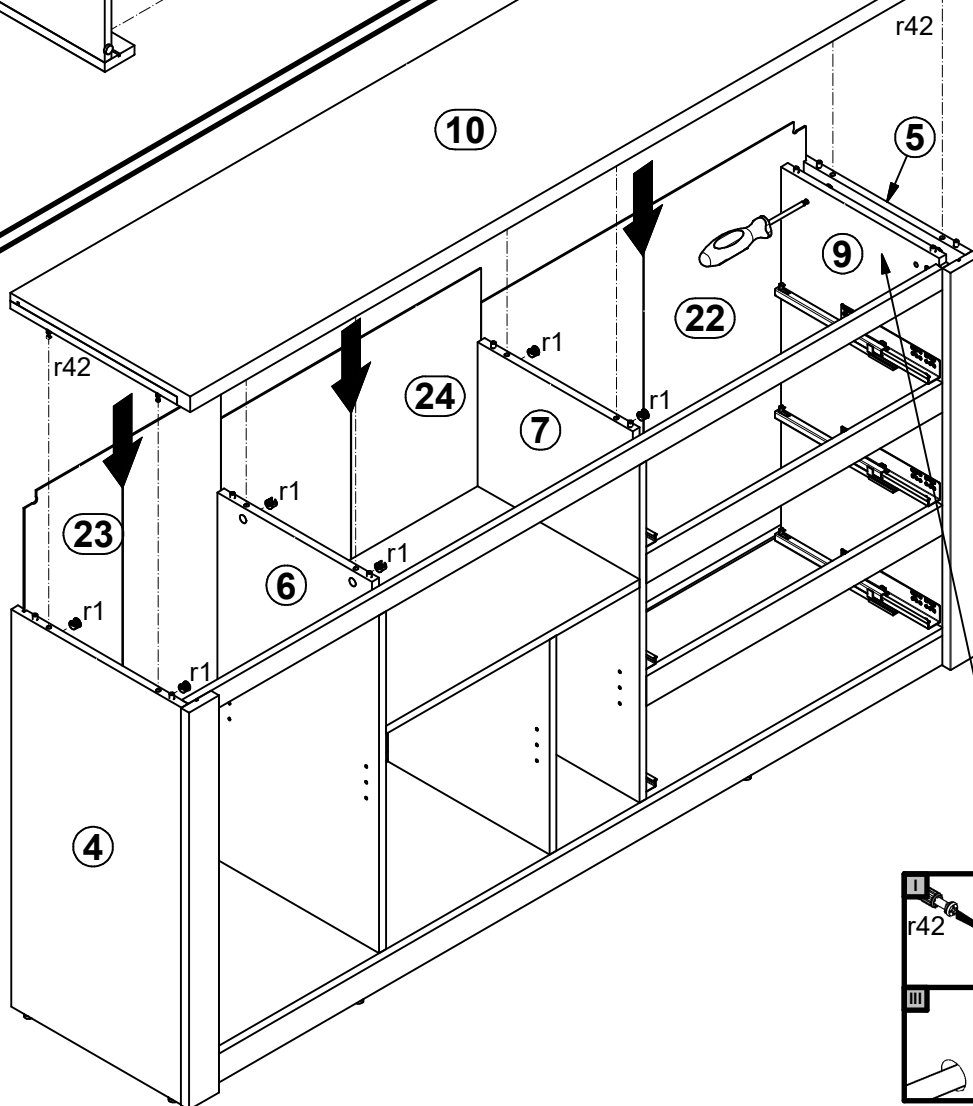
5 §6

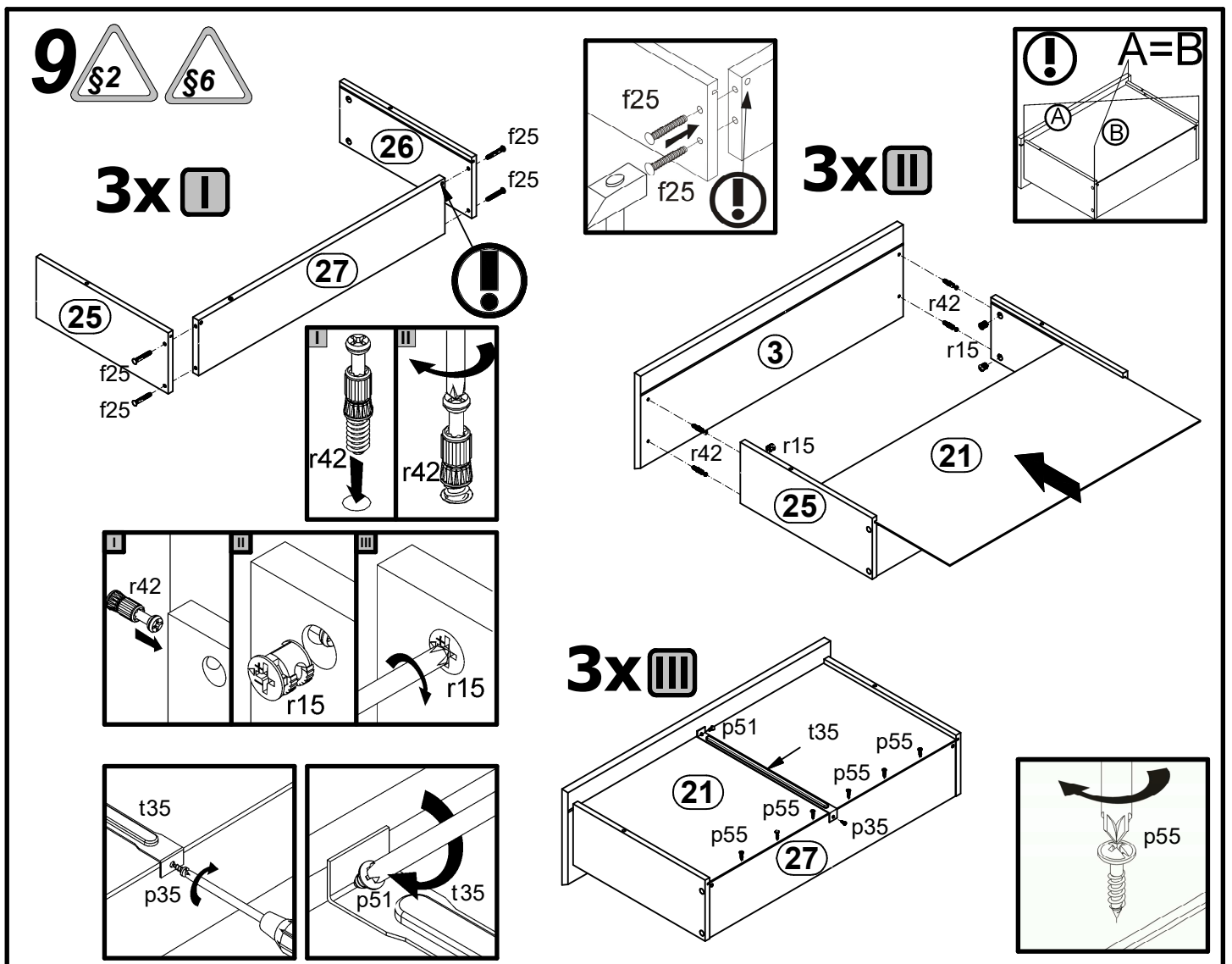
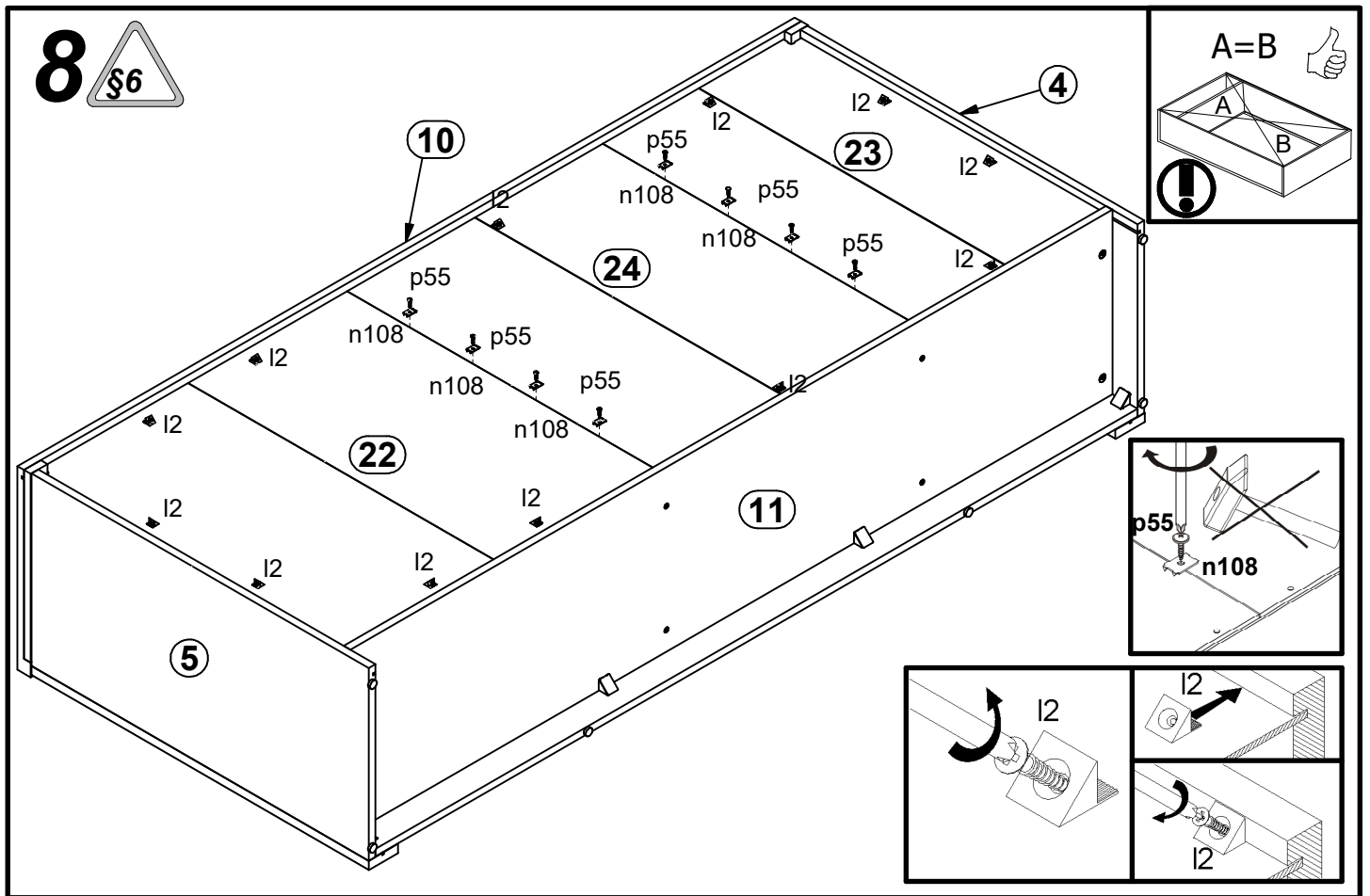


6



7





10

