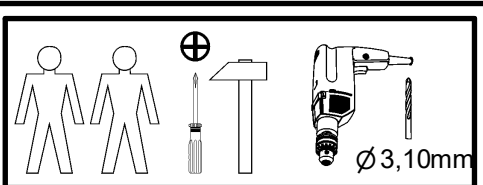
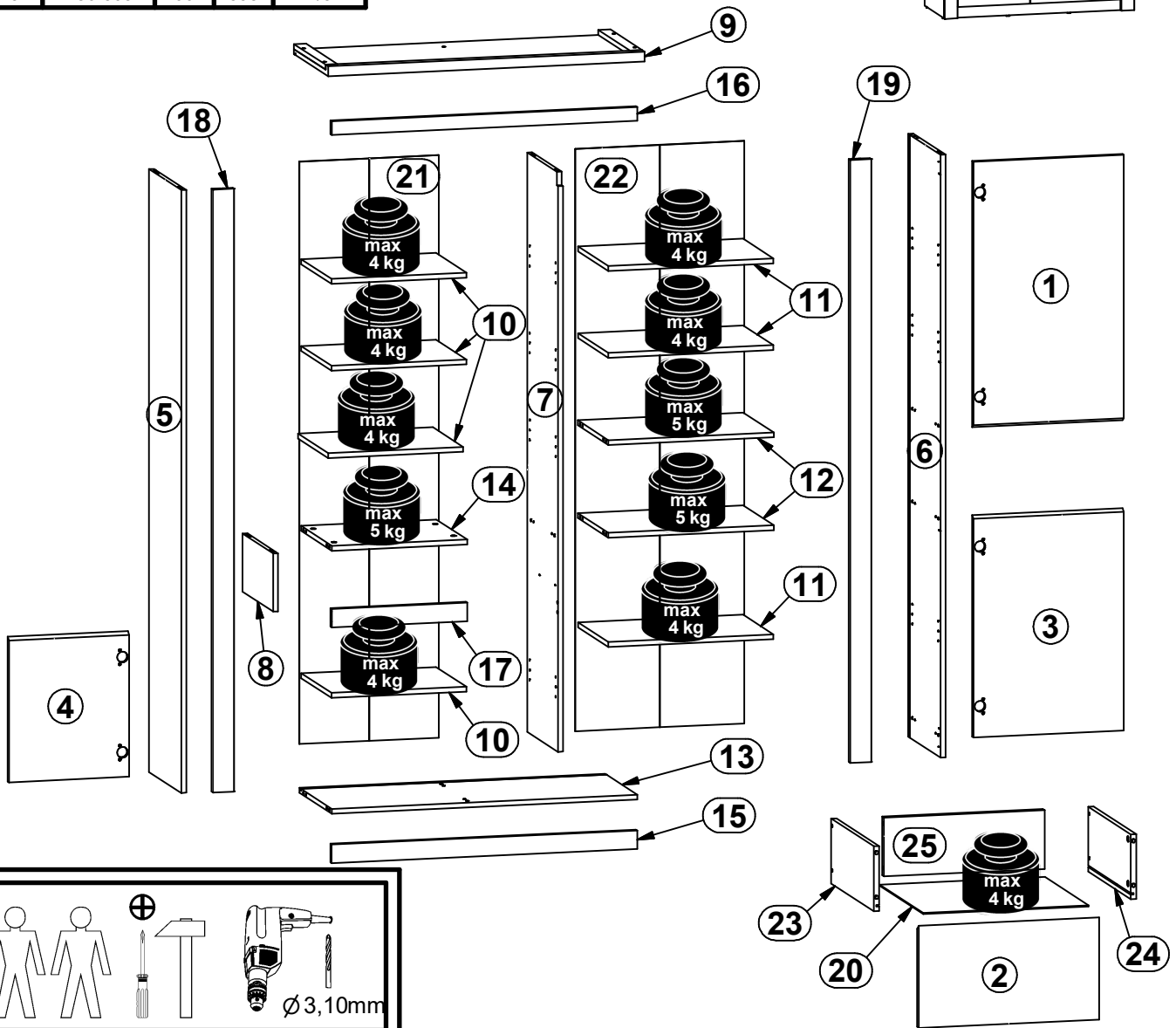
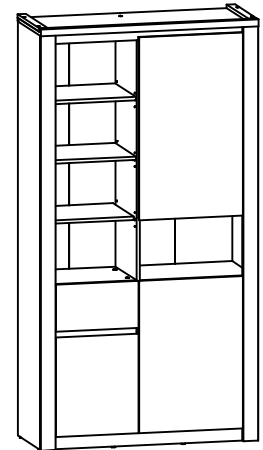
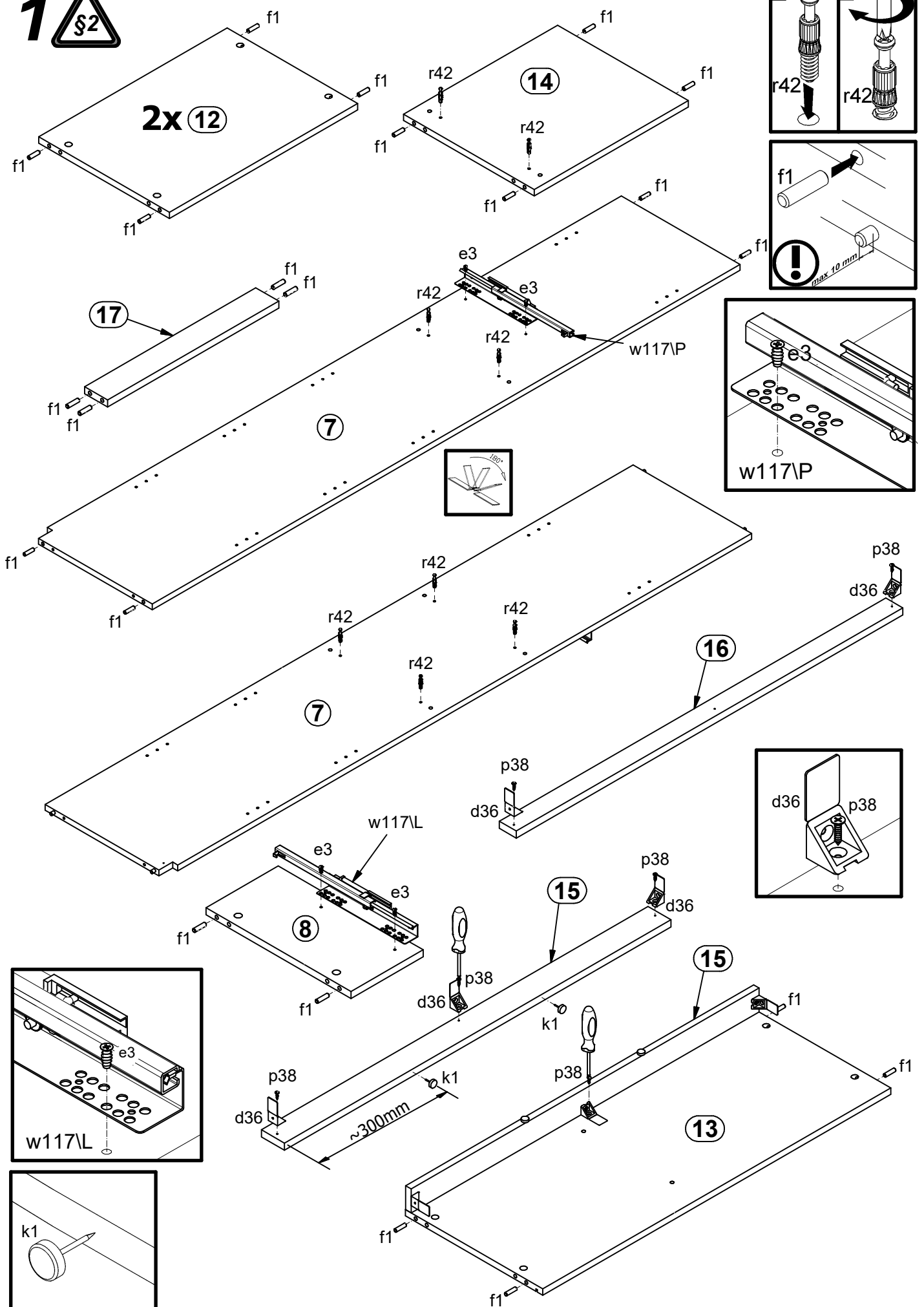


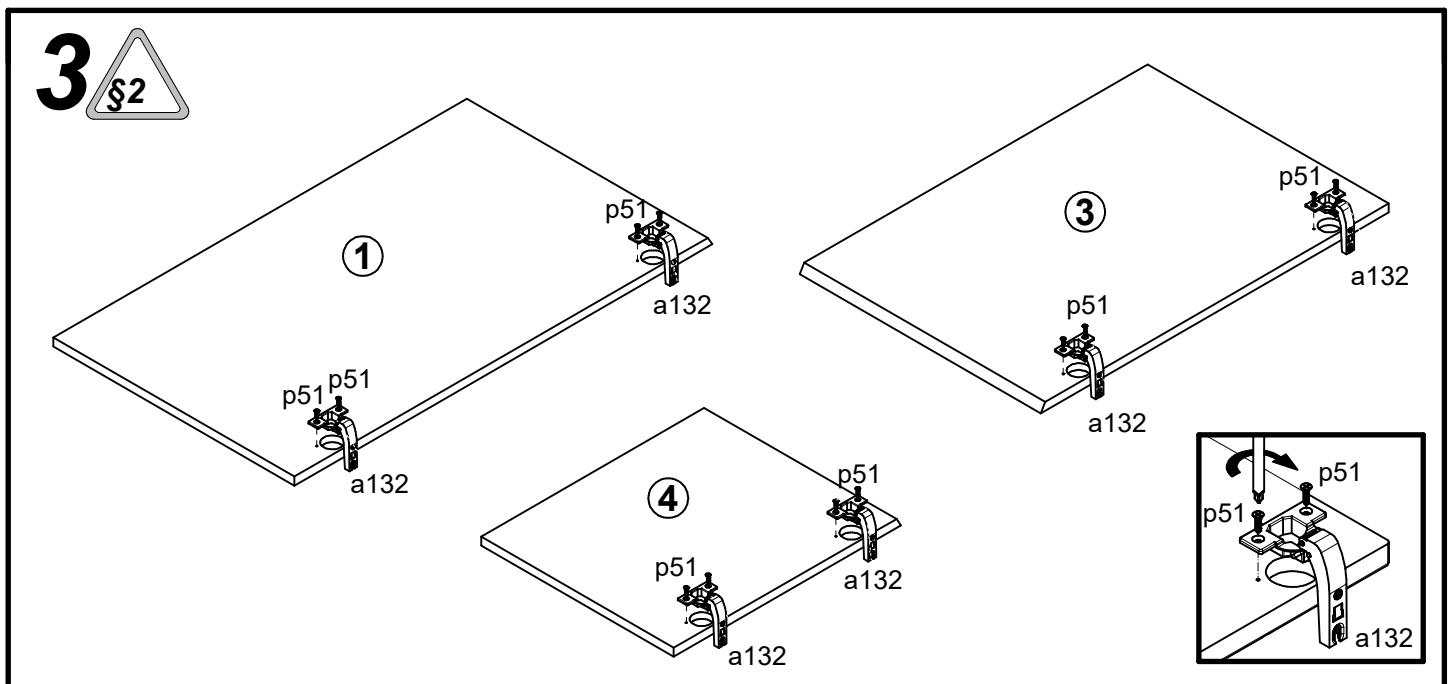
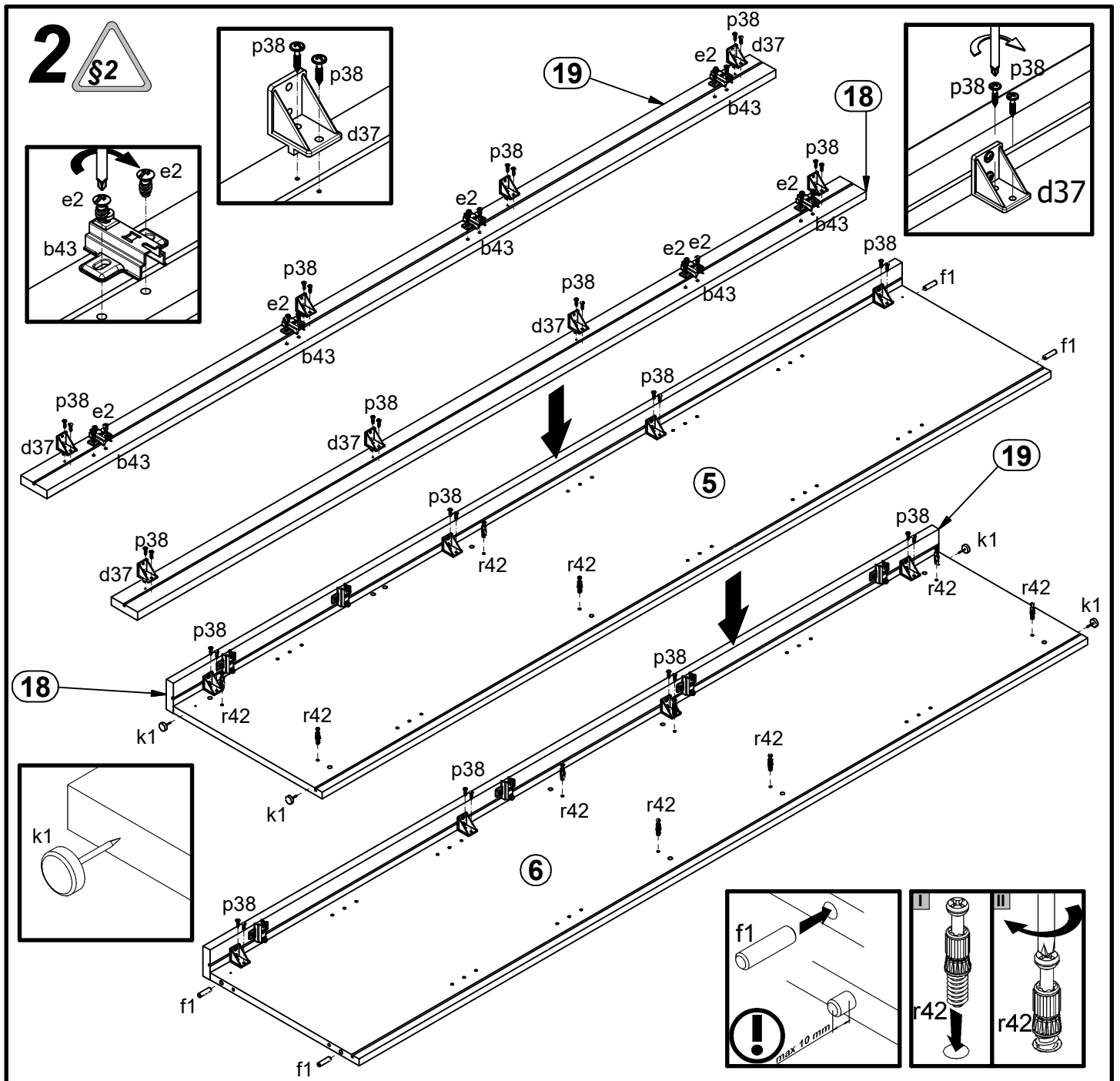
A	B	C	D	A	B	C	D		
1	S486-0013	860	496	3/3	14	S486-3036	446	378	1/3
2	S486-0014	396	220	3/3	15	S486-4013	1007	60	1/3
3	S486-0015	716	496	3/3	16	S486-4016	1007	44	1/3
4	S486-0016	468	396	3/3	17	S486-4018	446	60	3/3
5	S486-1032	1948	398	2/3	18	S486-5015	1948	70	2/3
6	S486-1033	1948	398	2/3	19	S486-5016	1948	70	2/3
7	S486-1034	1872	378	2/3	20	S486-9002	363	357	1/3
8	S486-1035	188	378	1/3	21	S486-9315	1882	459	2/3
9	S486-2007	1043	420	1/3	22	S486-9316	1882	557	2/3
10	S486-3003	445	373	1/3	23	ZQ6-511	350	140	3/3
11	S486-3020	544	373	1/3	24	ZQ6-512	350	140	3/3
12	S486-3021	545	378	3/3	25	ZQ6-5157	353	127	1/3
13	S486-3032	1007	398	1/3					

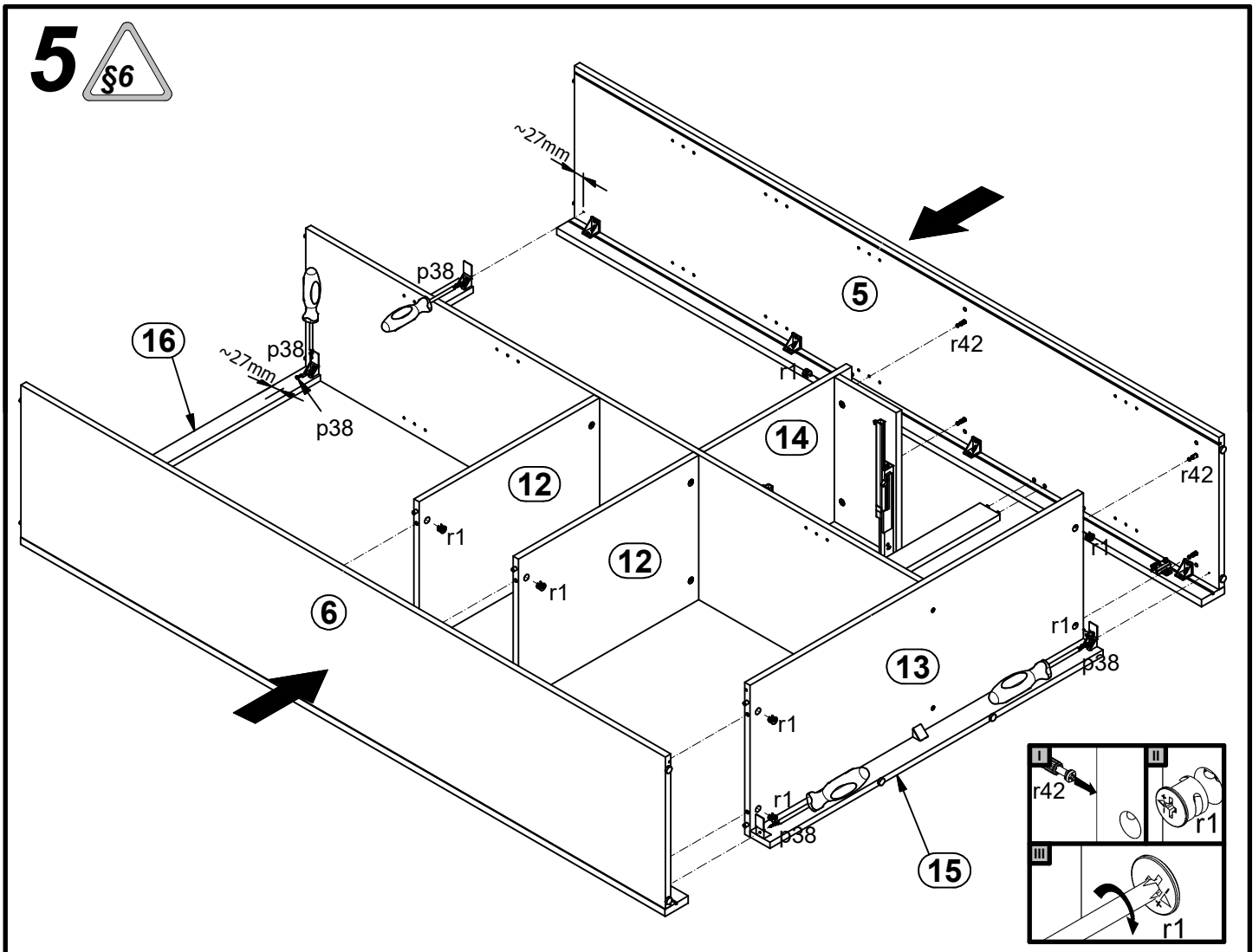
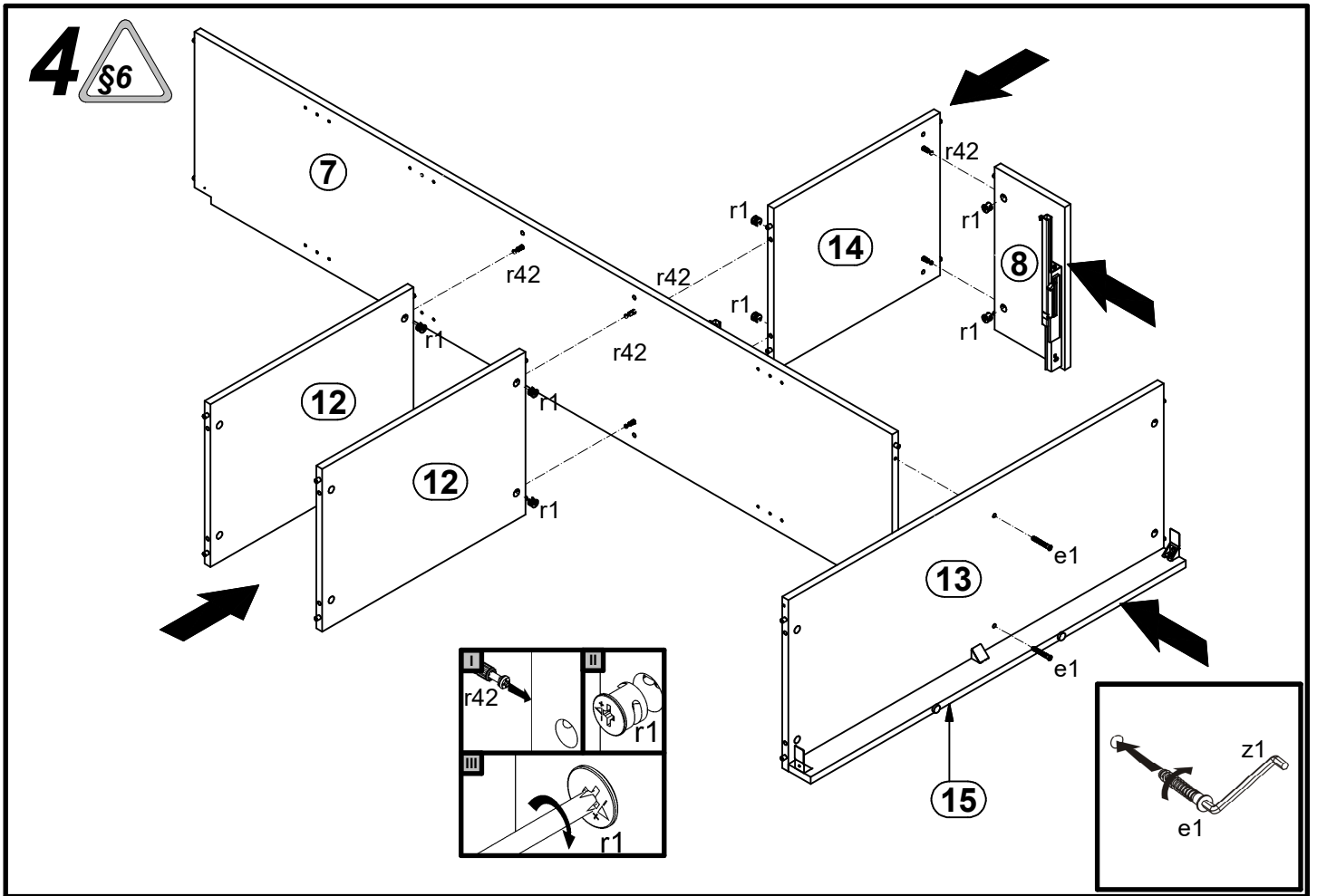


6x a132	3x a133	6x b43	28x Ø5x17 mm d1	6x d36	8x d37	4x Ø7x50 mm e1	12x Ø6.3x13 mm e2	4x Ø6x13 mm e3
4x Ø7x60 mm e8	30x Ø8x30 mm f1	4x Ø6.5x40 mm f25	6x k1	14x l2	9x 22x9.5x20.7 mm n108	44x Ø3.5x16 mm p38	12x Ø3.5x15 mm p51	19x Ø2.9x16 mm p55
18x Ø15x12 mm #16 r1	4x Ø12x10.5 mm #12 r15	22x 20/11 r42	1x 350 mm W117L w117L	1x 350 mm W117P w117P	8x Ø 20mm s68	1x 4 mm z1		
					1x 86x21x15/1.5 n14/2	2x Ø3.5x16 mm p38	1x Ø5x60 mm p17	1x Ø10x50 mm f35

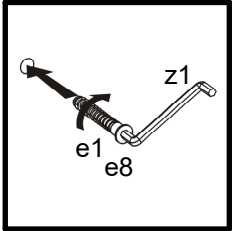
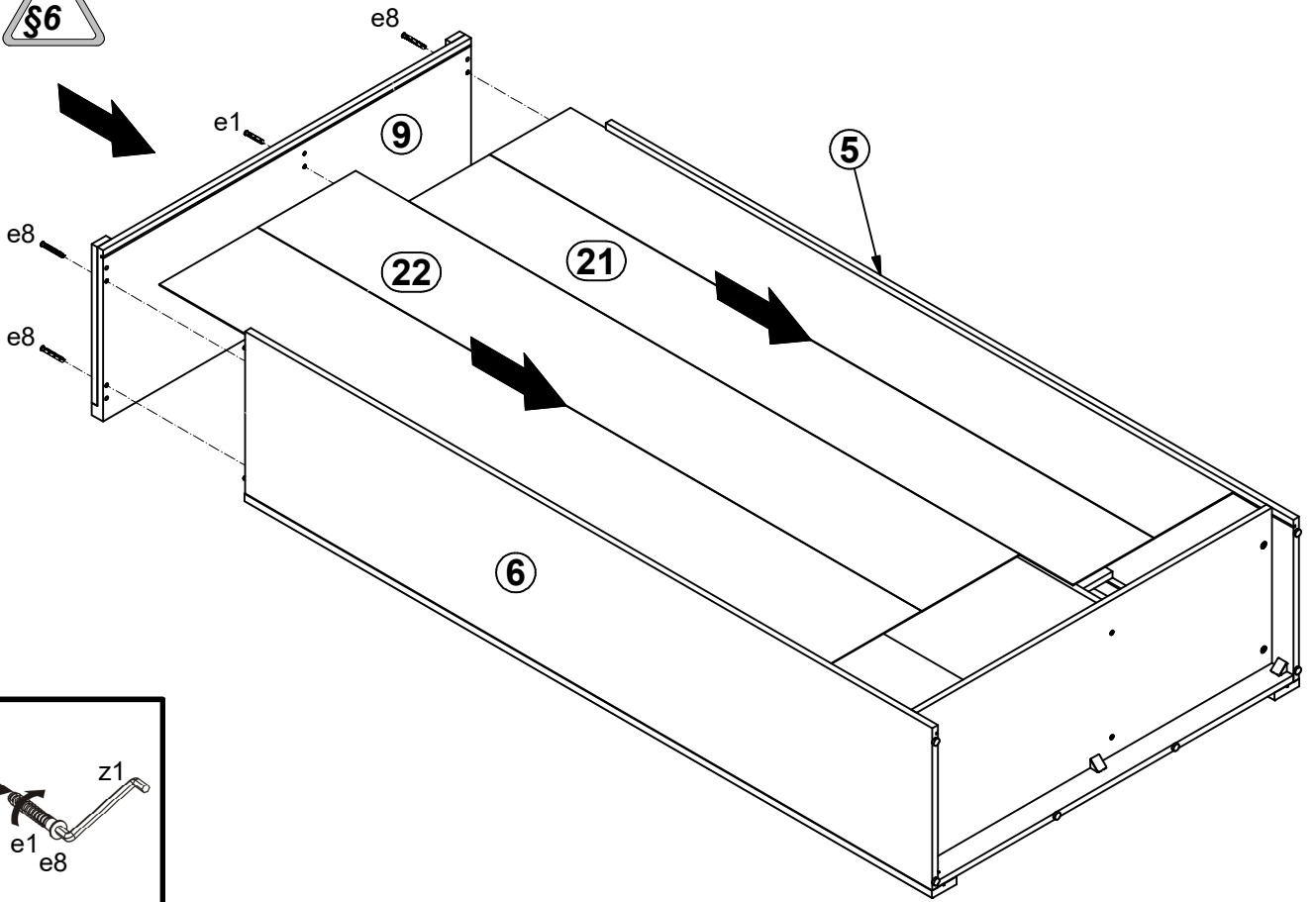
1  §2



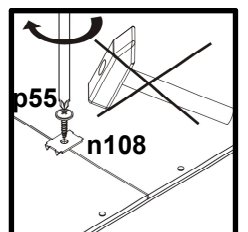
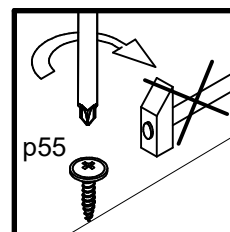
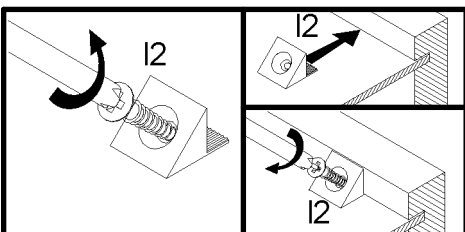
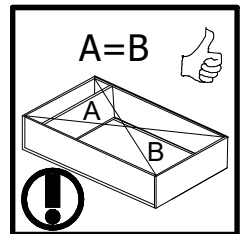
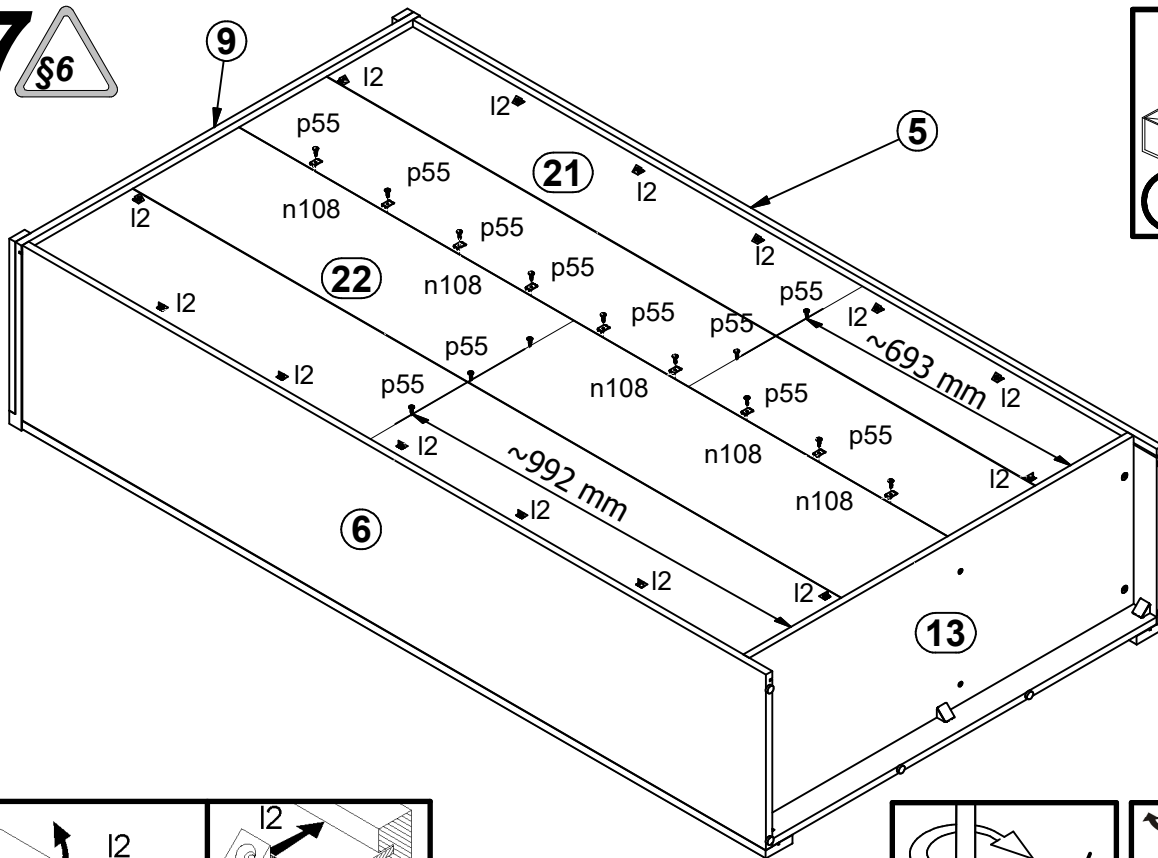




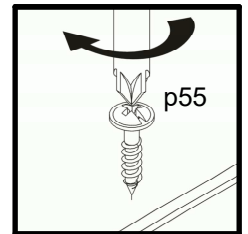
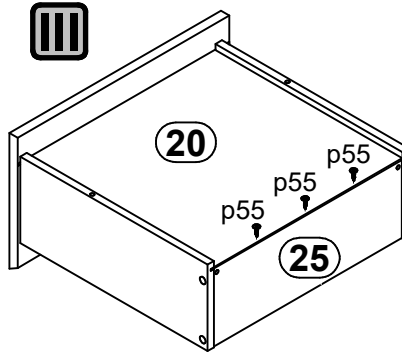
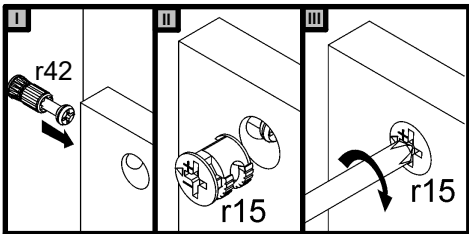
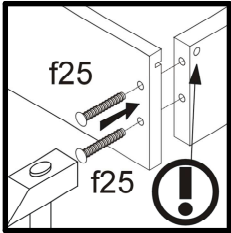
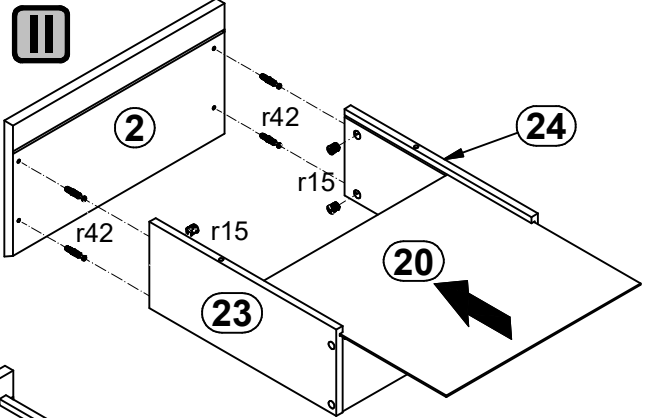
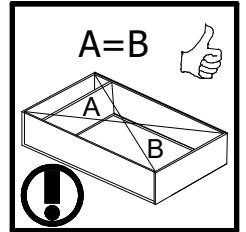
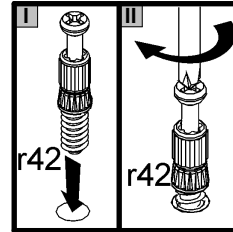
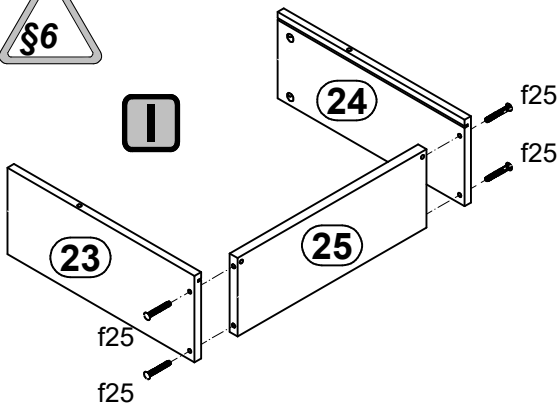
6



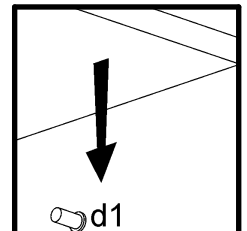
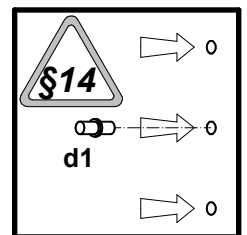
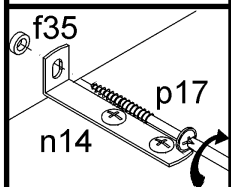
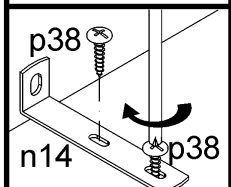
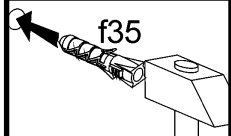
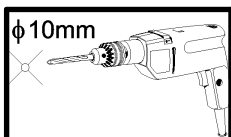
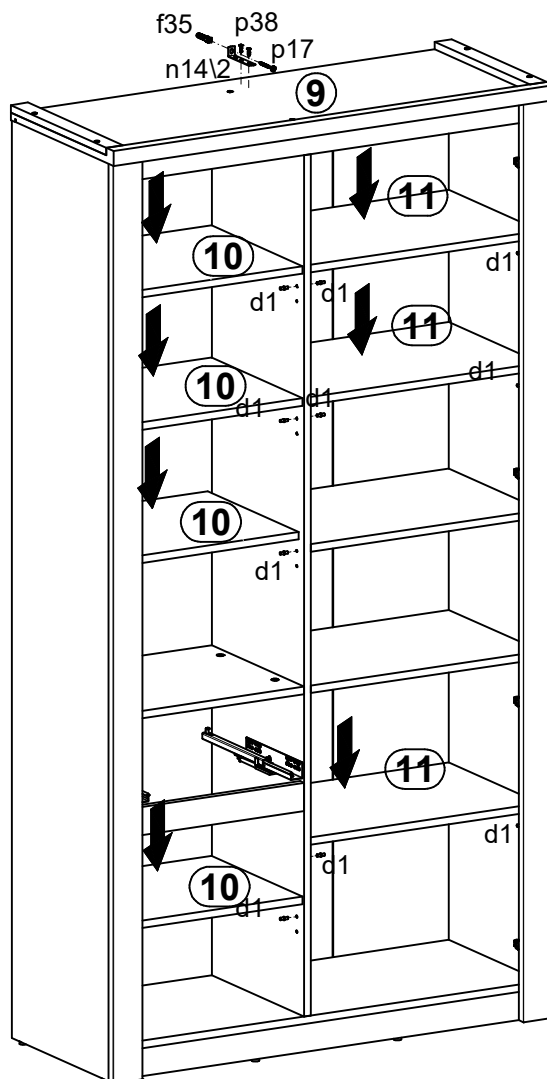
7



8



9



10

