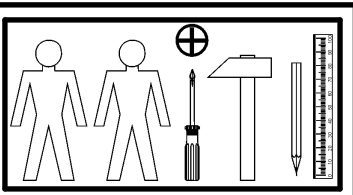
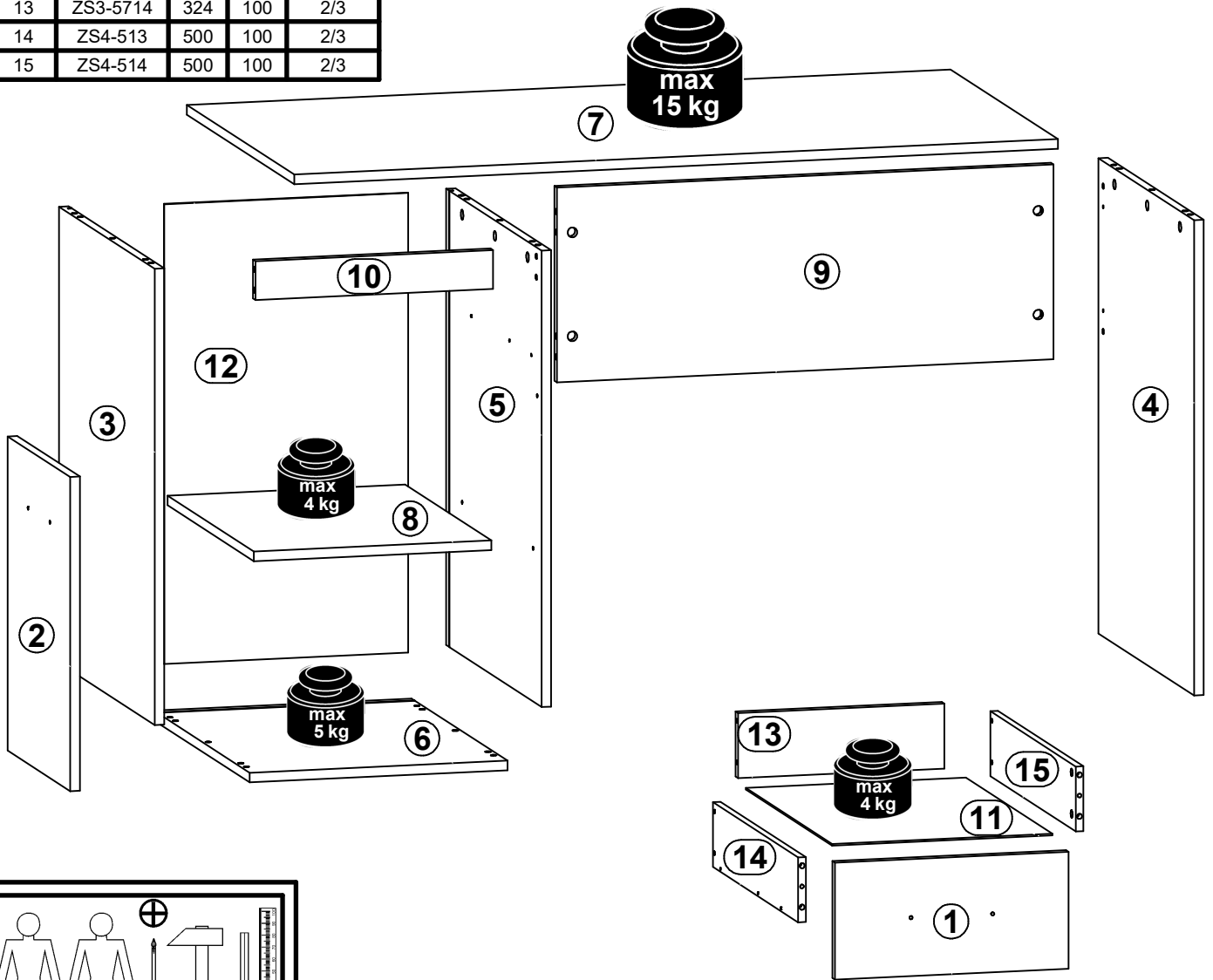
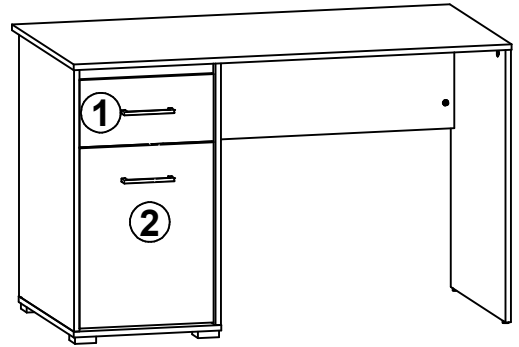
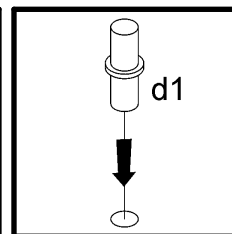
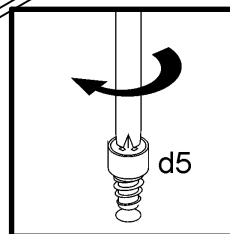
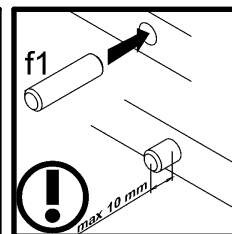
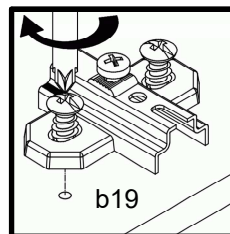
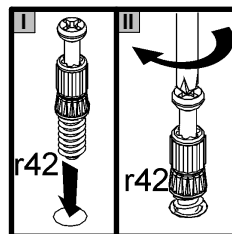
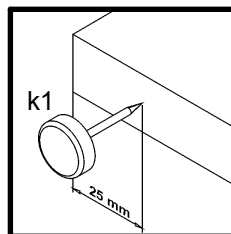
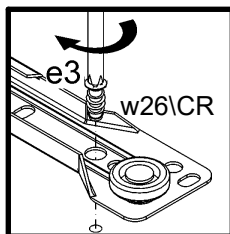
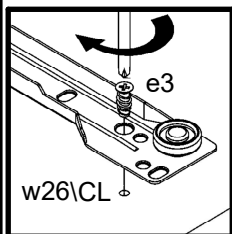
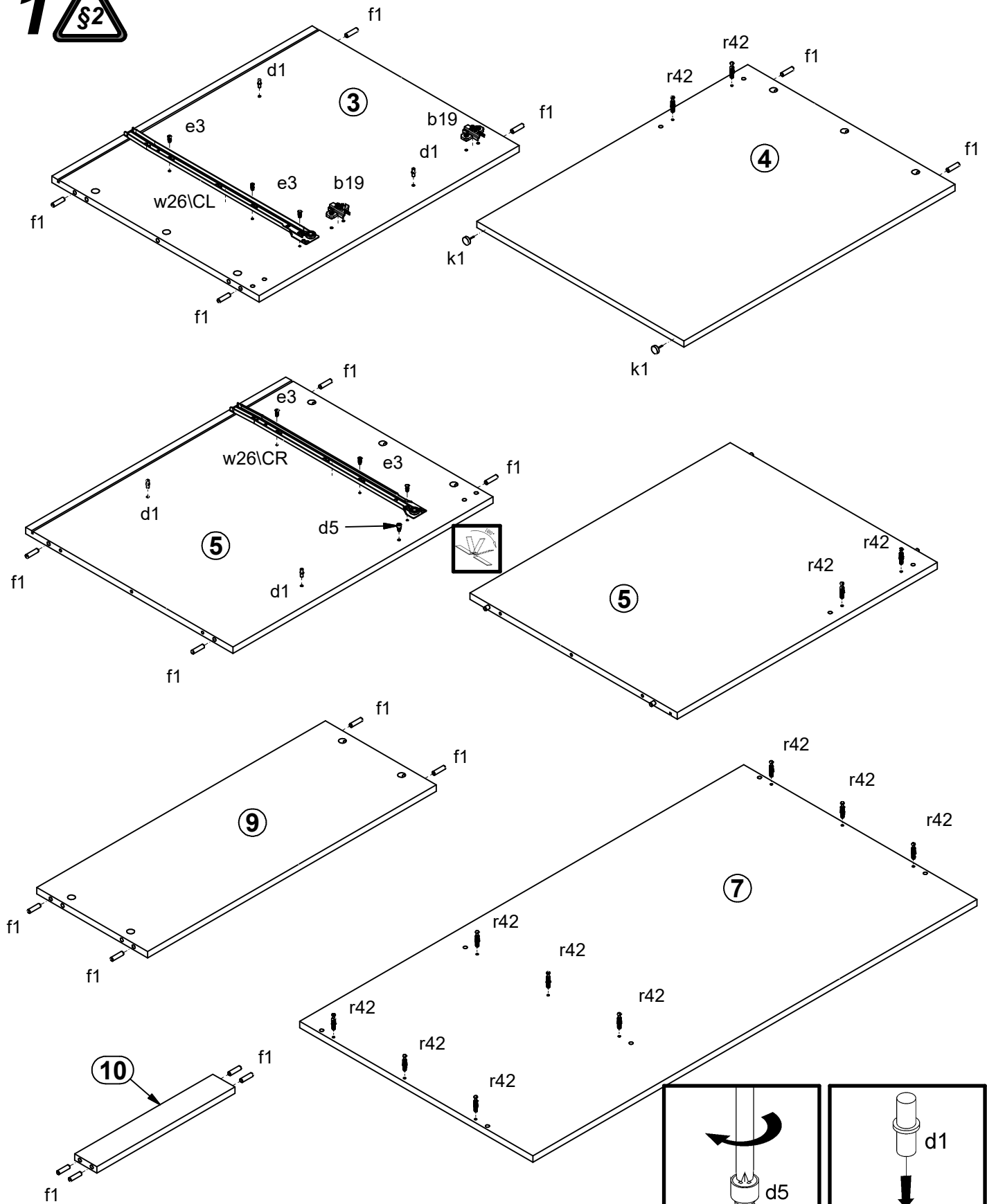


A	B	C	D
1	S399-0012	367	180
2	S399-0013	484	367
3	S399-1019	703	560
4	S399-1020	732	560
5	S399-1021	703	560
6	S399-2013	405	562
7	S399-2014	1200	630
8	S399-3007	373	506
9	S399-4006	780	300
10	S399-4007	373	60
11	S399-9007	346	507
12	S399-9008	708	383
13	ZS3-5714	324	100
14	ZS4-513	500	100
15	ZS4-514	500	100

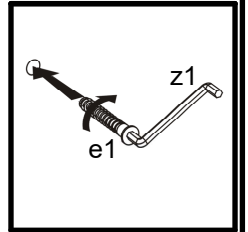
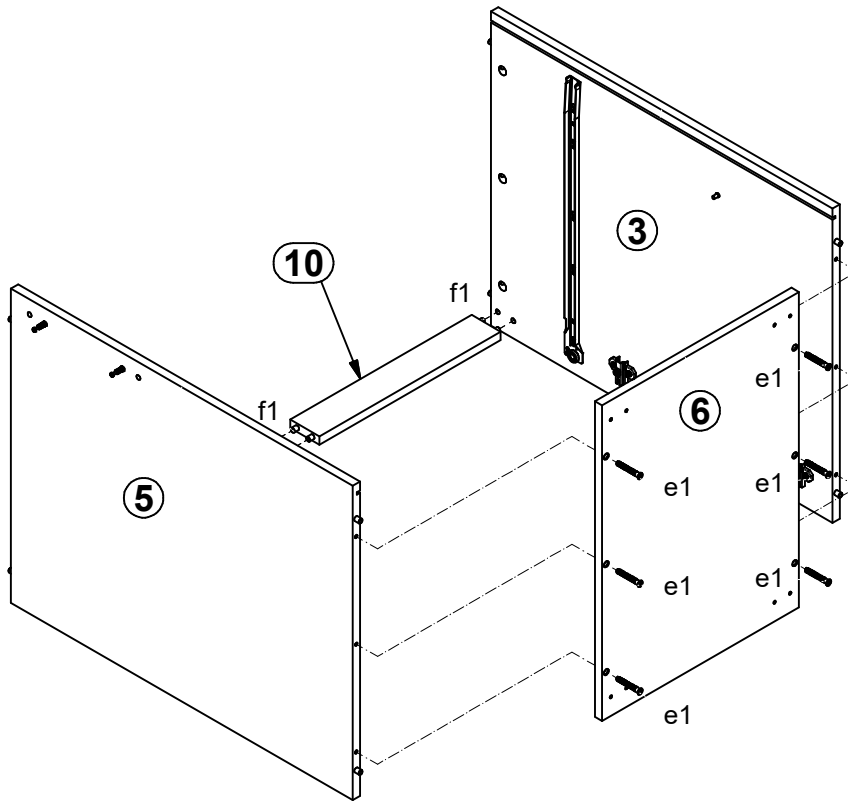


2x K16 a43	2x DS b19	2x 128mm c405	4x Ø5x17 mm d1	1x Ø6.3x15 mm d5	6x Ø7x50 mm e1	14x Ø6x13 mm e3	6x Ø5x9 mm e19	18x Ø8x30 mm f1
2x Ø6x30 mm f9	4x Ø6.5x40 mm f25	2x k1	4x k82\1	4x k82\2	8x I2	3x Ø3.5x16 mm p38	4x Ø3.5x15 mm p51	4x Ø4x25 mm p87
13x Ø15x12 mm #16 r1	4x Ø12x10.5 mm #12 r15	17x 20\11 r42	1x 500 mm w26\CL	1x 500 mm w26\CR	1x 500 mm w26\DL	1x 500 mm w26\DR	7x Ø16 s2	1x 4 mm z1

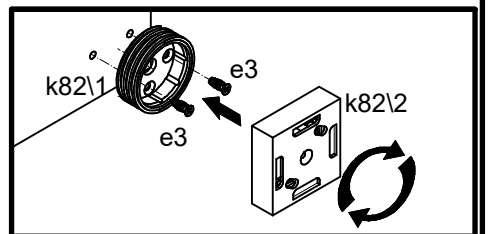
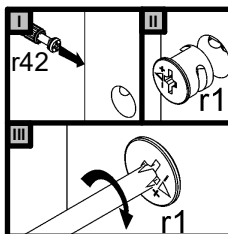
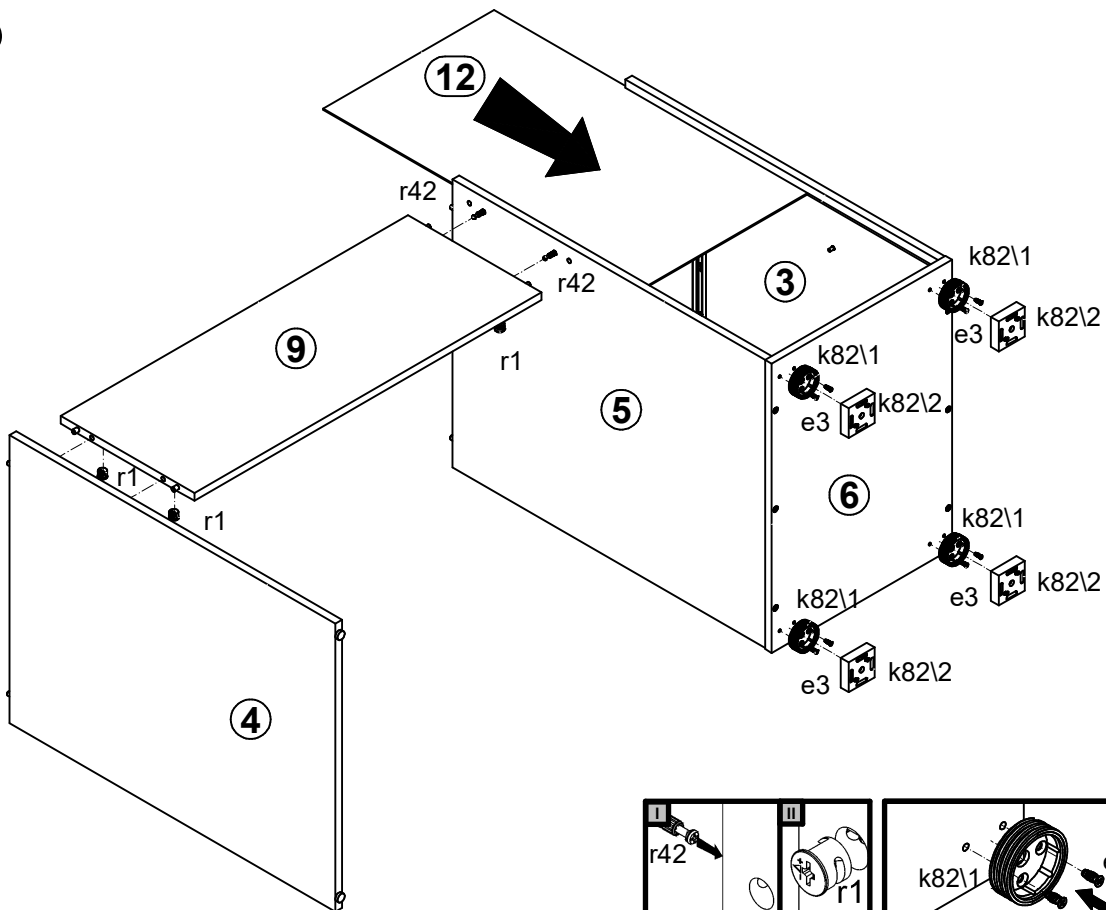
1 



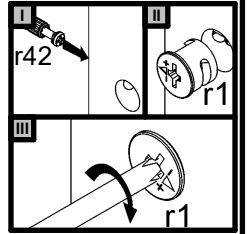
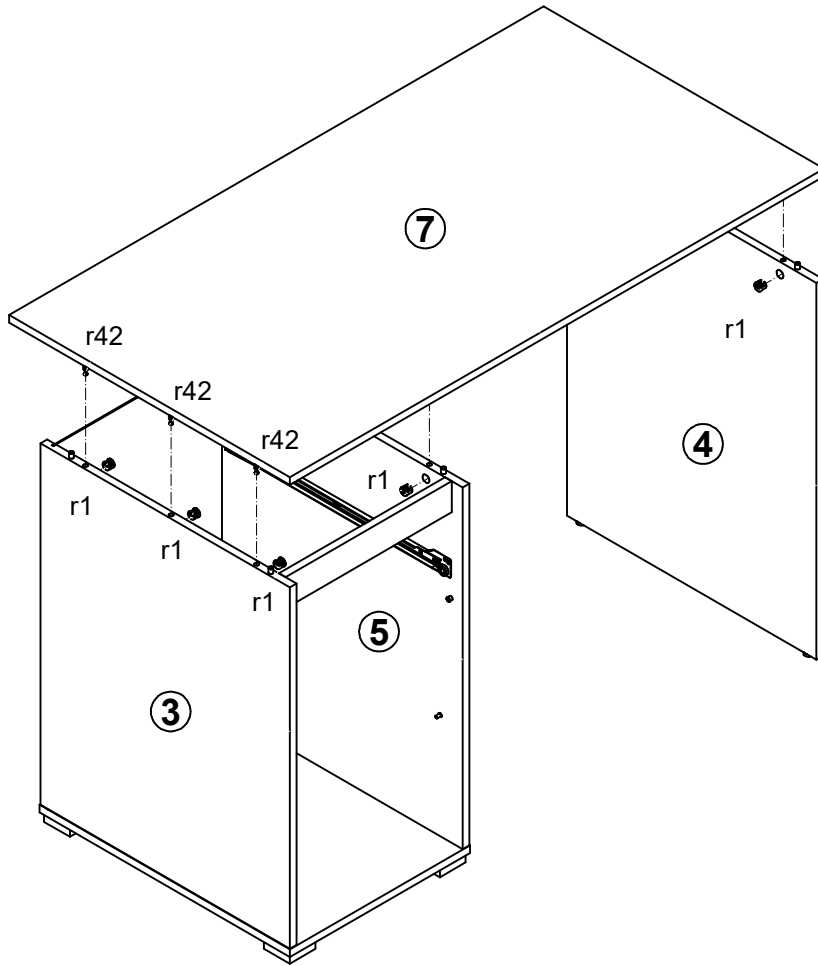
2



3



4



5

