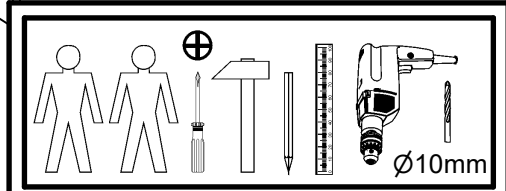
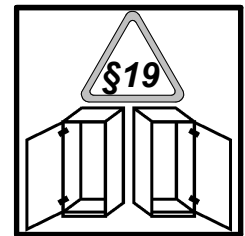
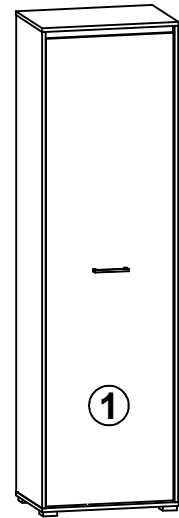
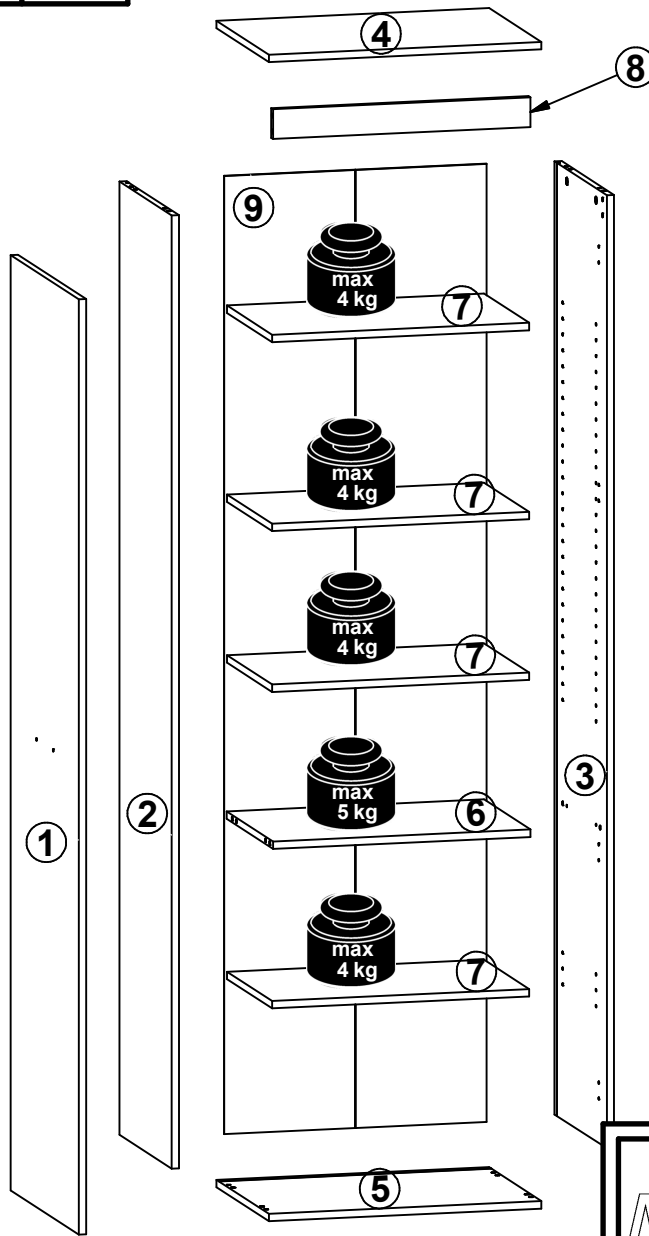
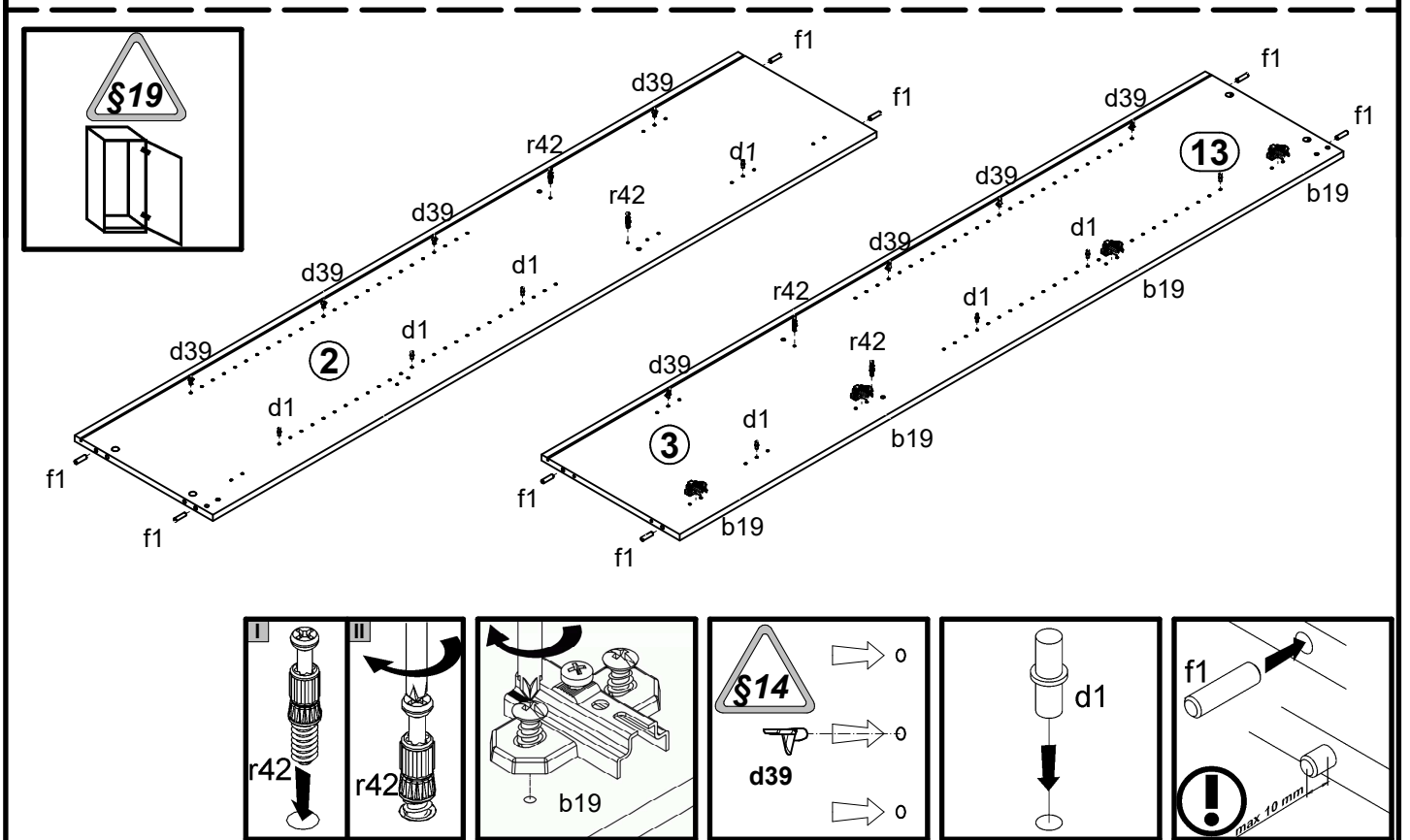
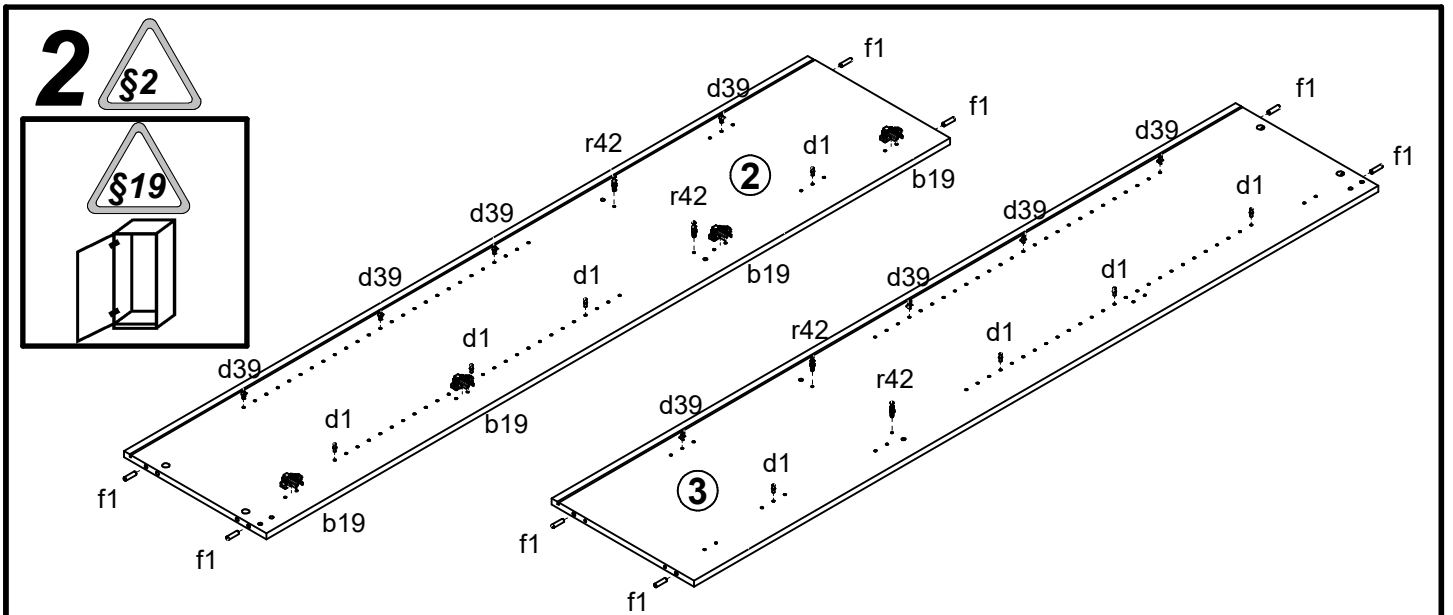
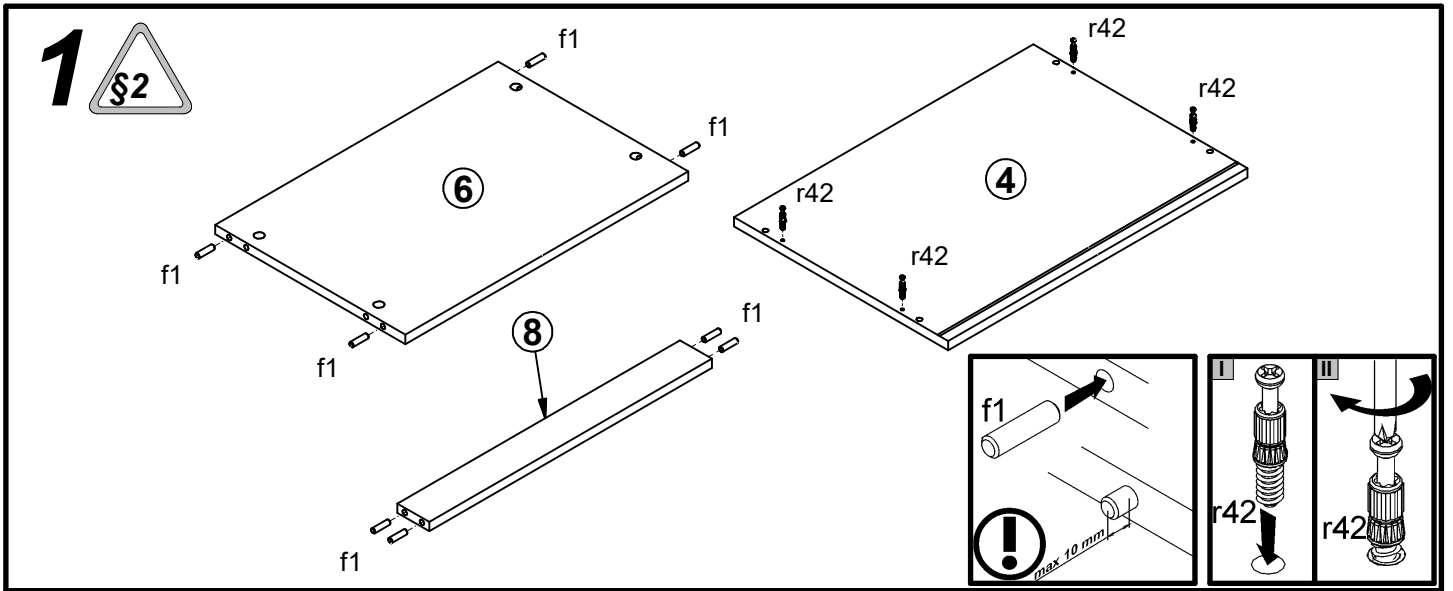


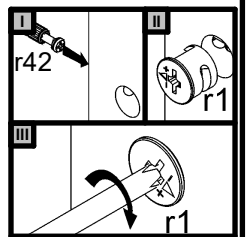
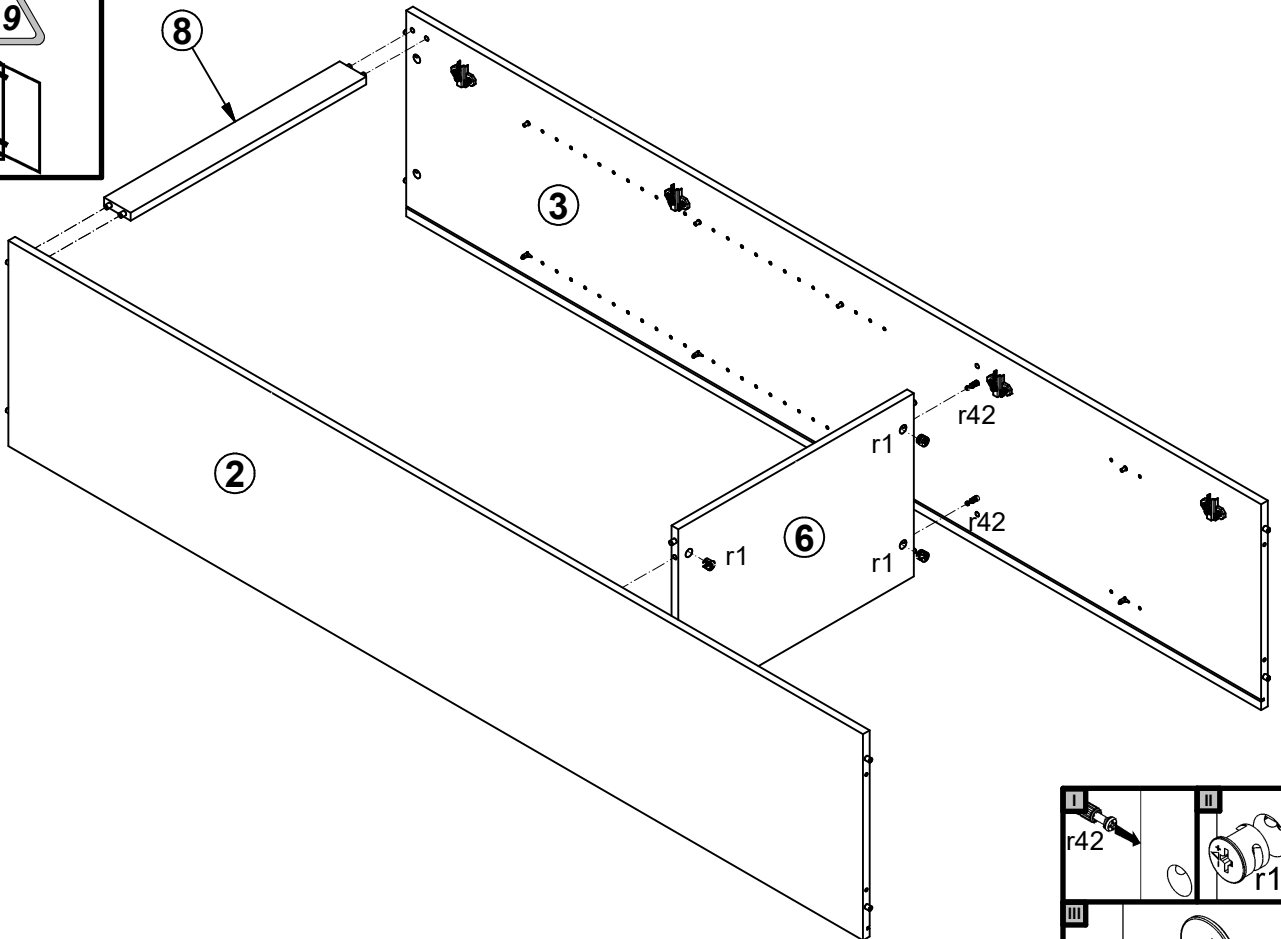
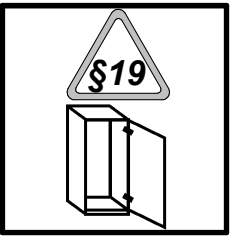
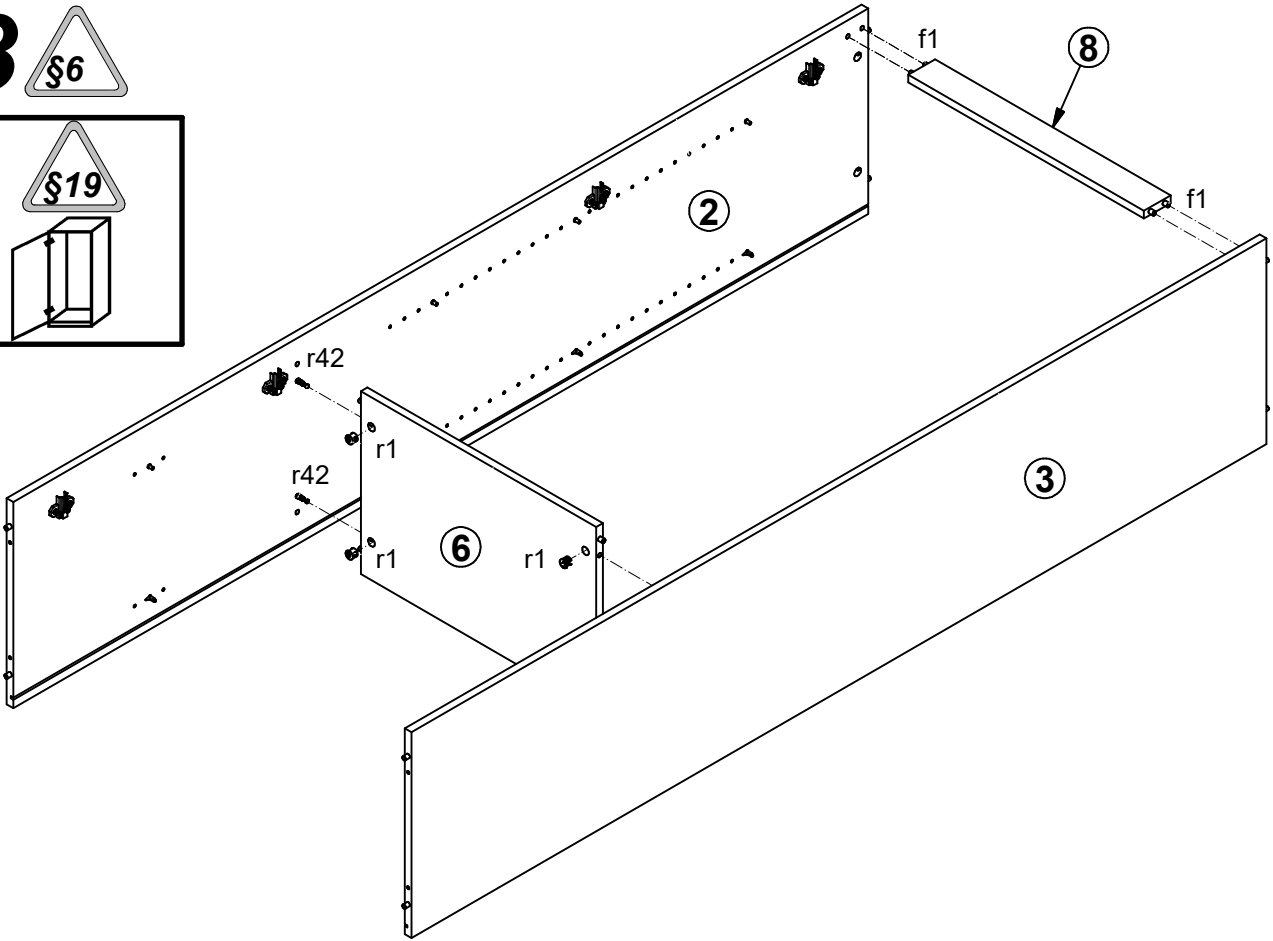
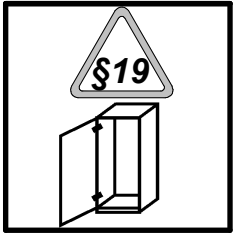
A	B	C	D
1	S399-0006	1884	523
2	S399-1007	1920	400
3	S399-1008	1920	400
4	S399-2005	560	401
5	S399-2006	560	401
6	S399-3004	529	356
7	S399-3005	528	346
8	S399-4002	529	60
9	S399-9302	1930	539



4x K16 a43	4x DS b19	1x 128mm c405	8x Ø5x17 mm d1	8x d39	4x Ø7x50 mm e1	8x Ø6x13 mm e3	16x Ø8x30 mm f1	1x Ø10x50 mm f35
4x k82/1	4x k82/2	10x l1	16x l2	1x 88x21x15/1.5 n14/2	2x silikon o21	8x Ø2.5x13 mm p15	1x Ø5x60 mm p17	2x Ø3.5x16 mm p38
8x Ø3.5x15 mm p51	2x Ø4x25 mm p87	8x Ø15x12 mm #16 r1	8x 20/11 r42	8x Ø16 s2	1x 4 mm z1			

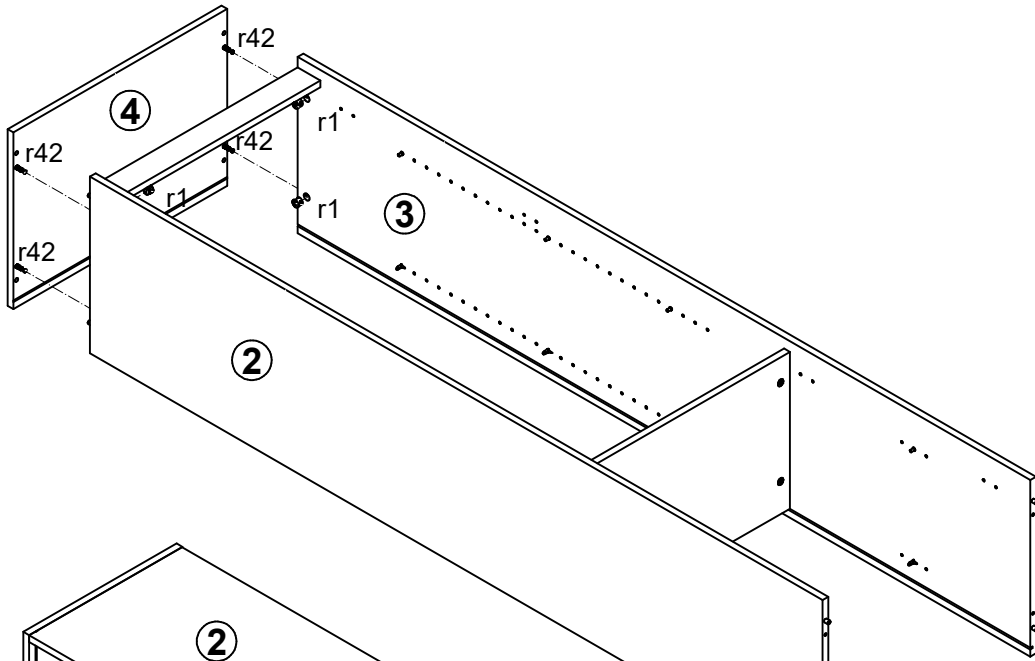


3

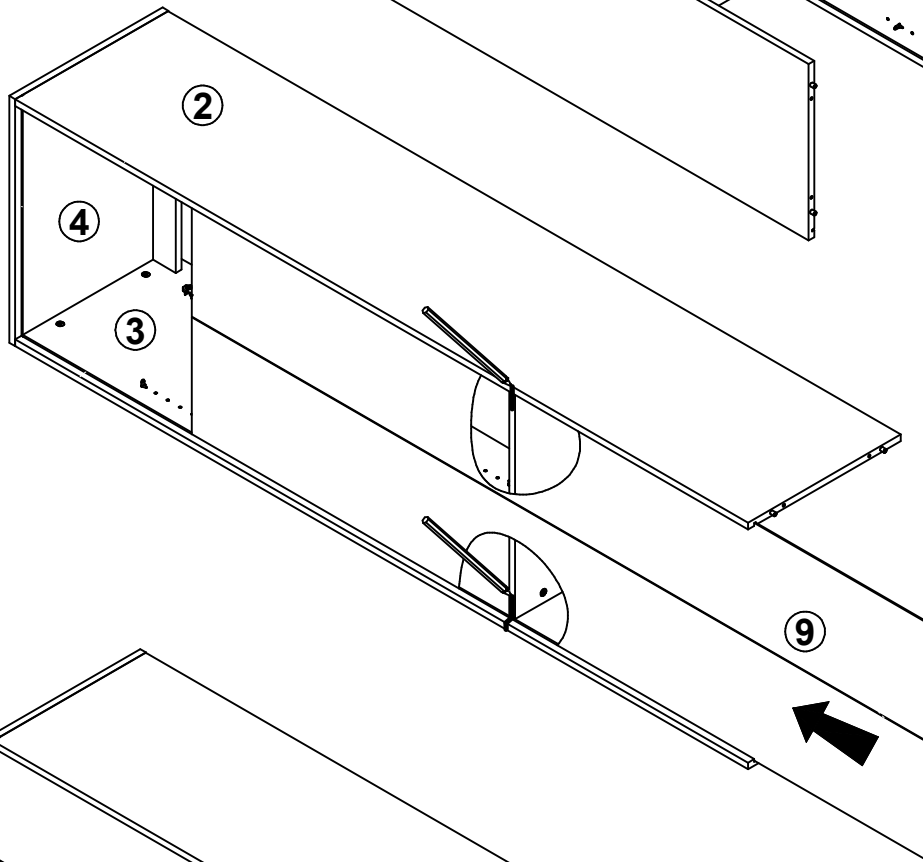


# 4

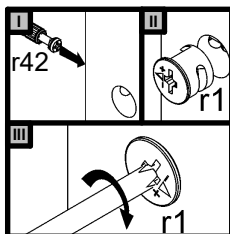
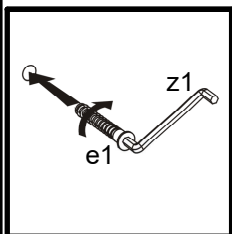
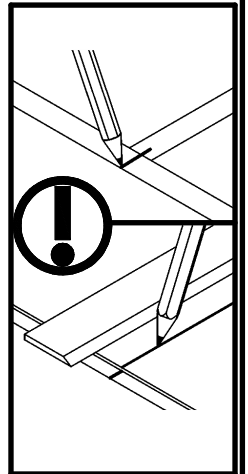
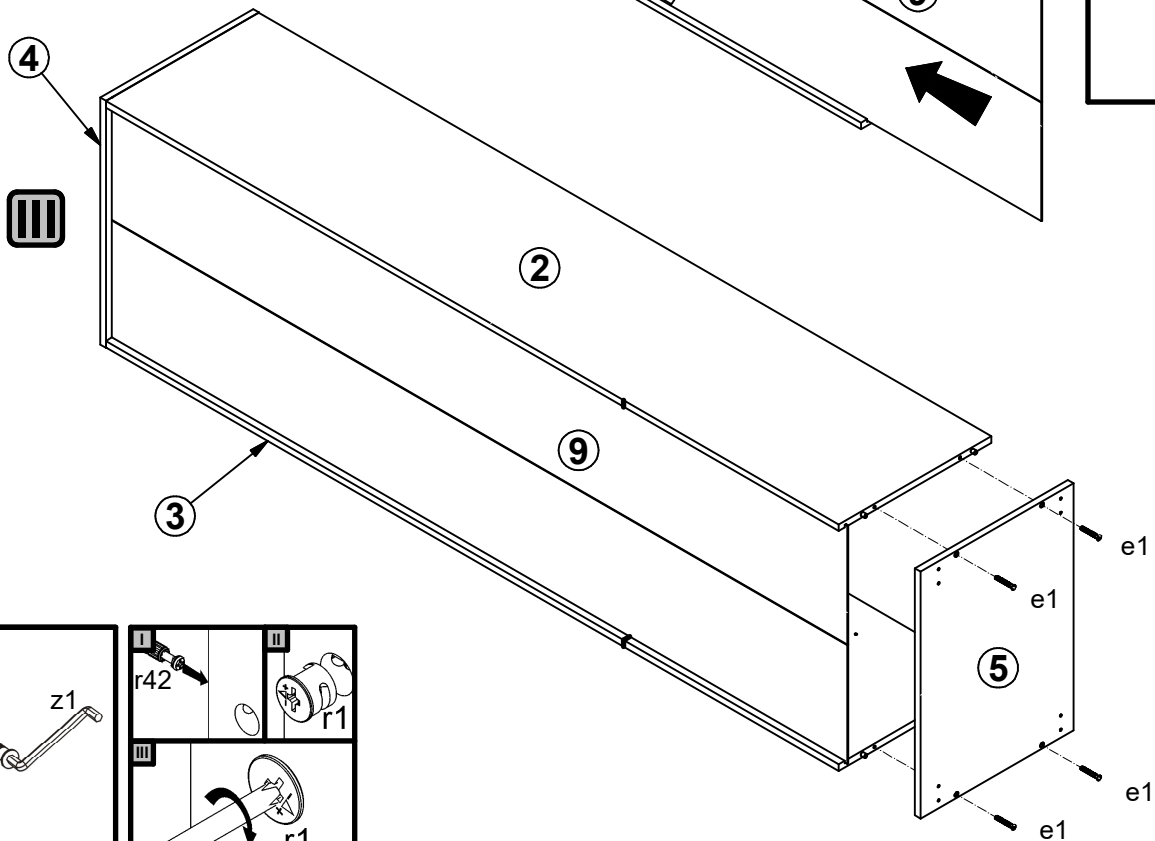
I



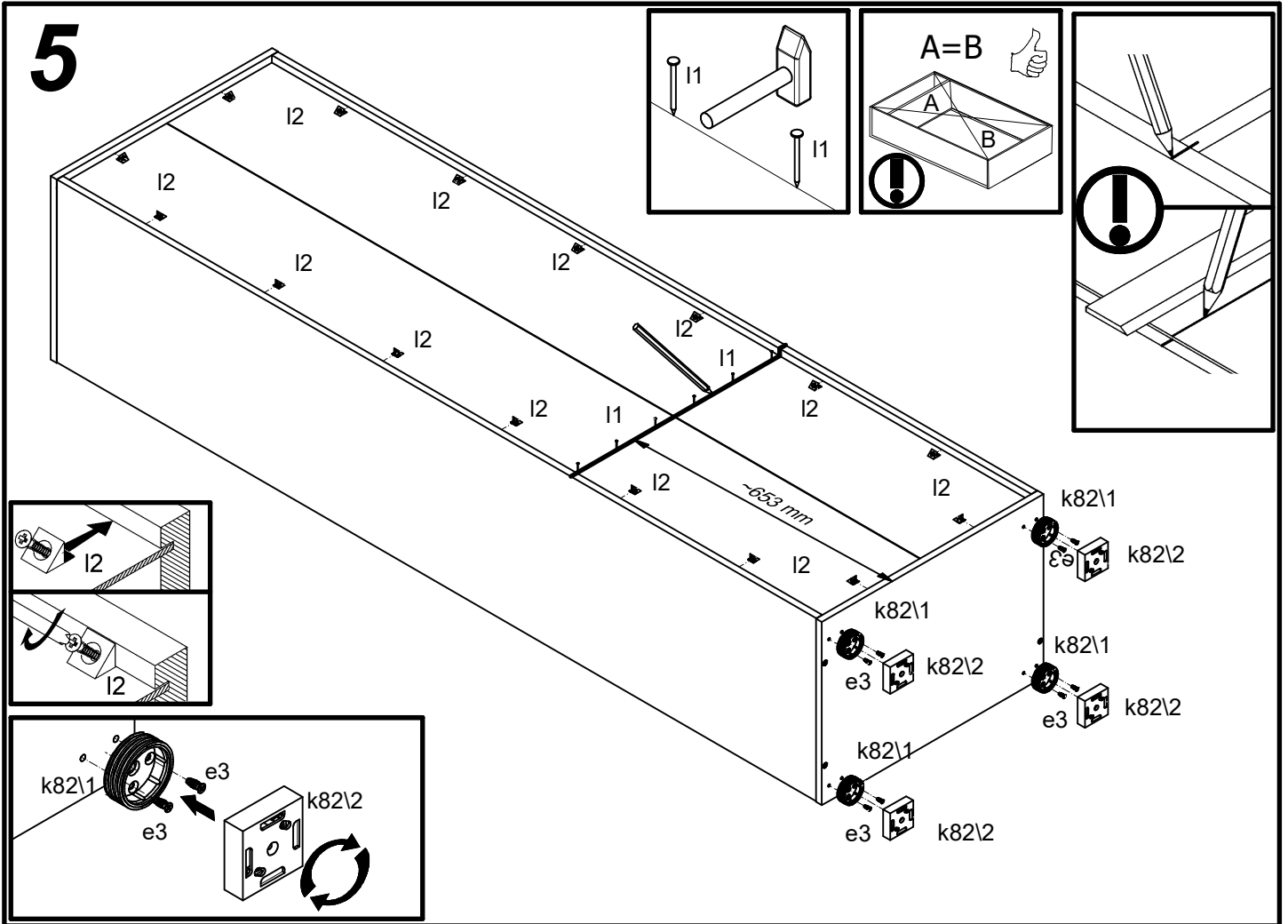
II



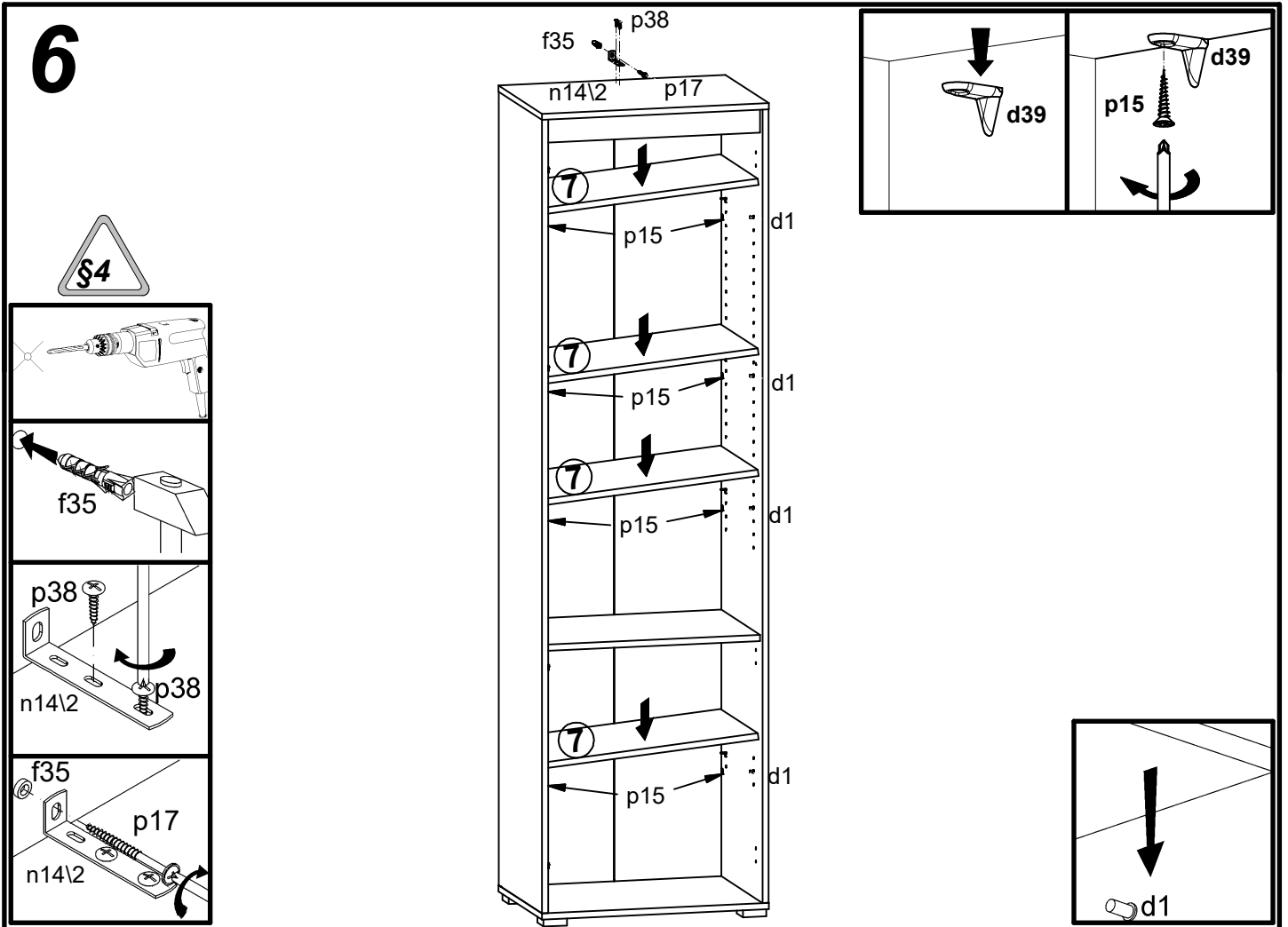
III



# 5



# 6



# 7

