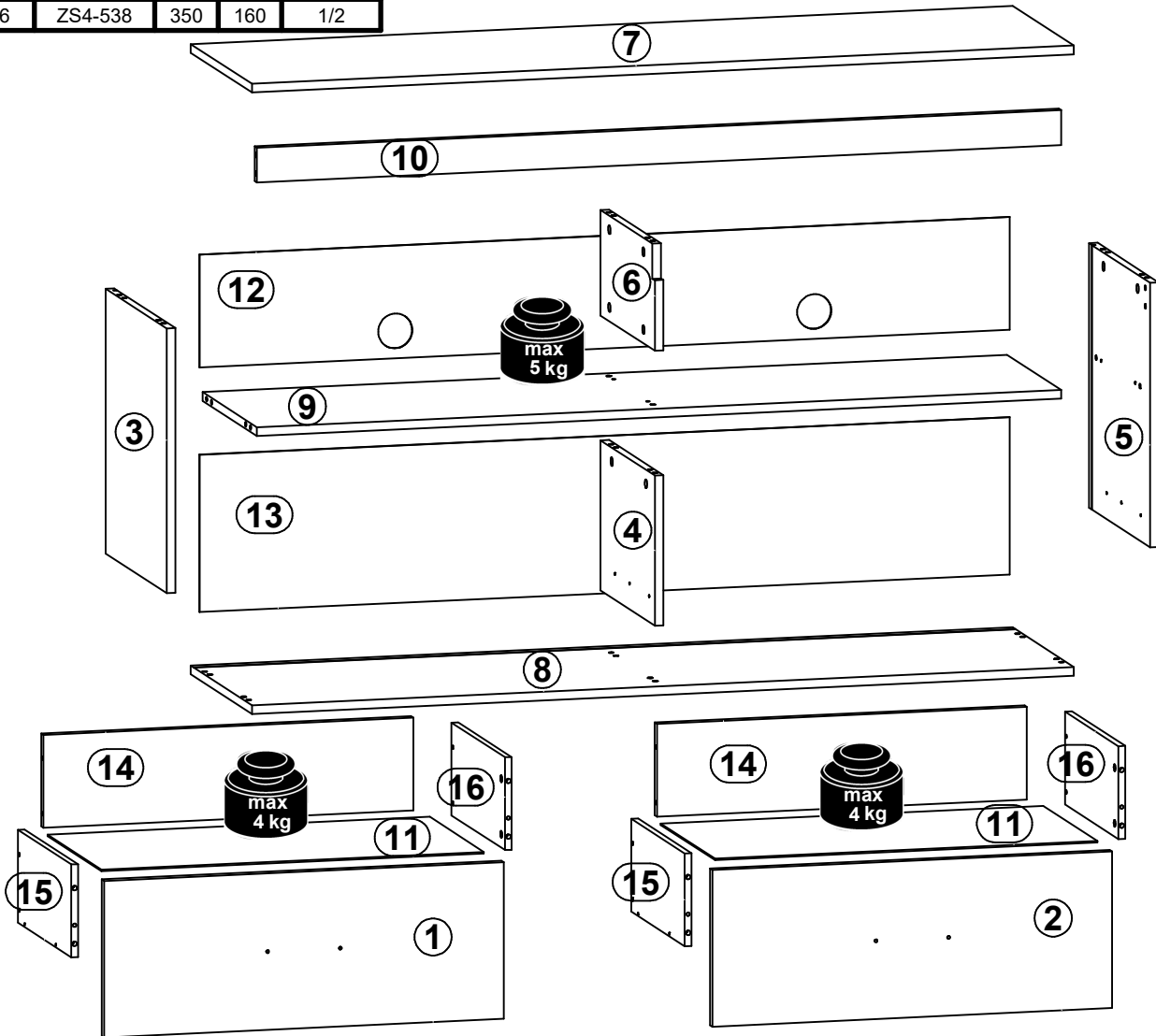
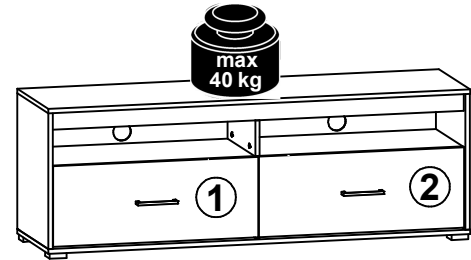
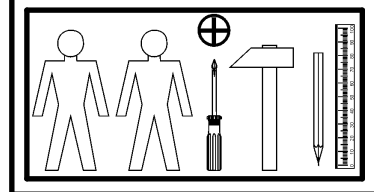
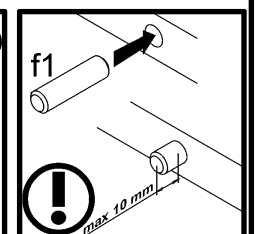
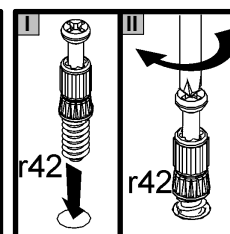
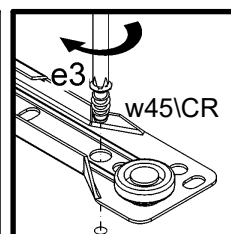
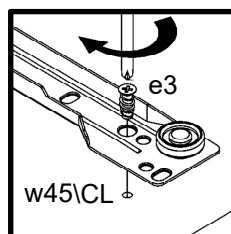
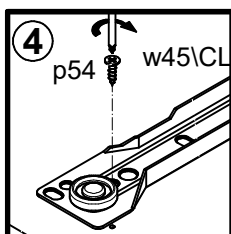
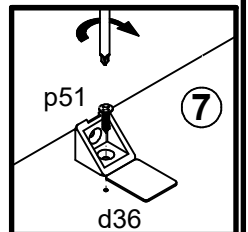
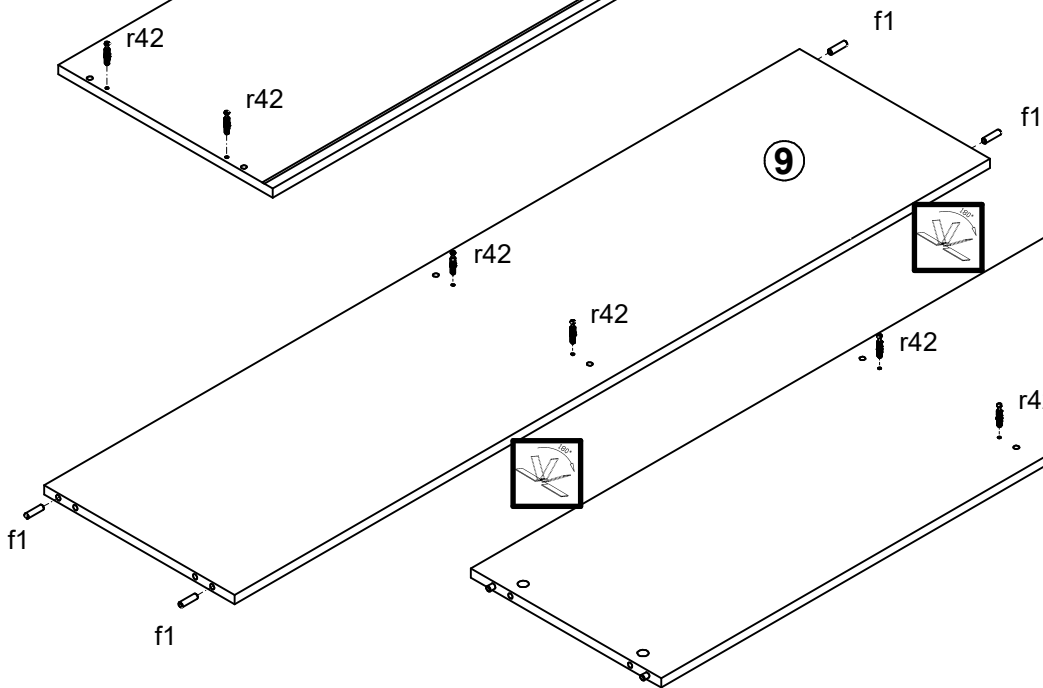
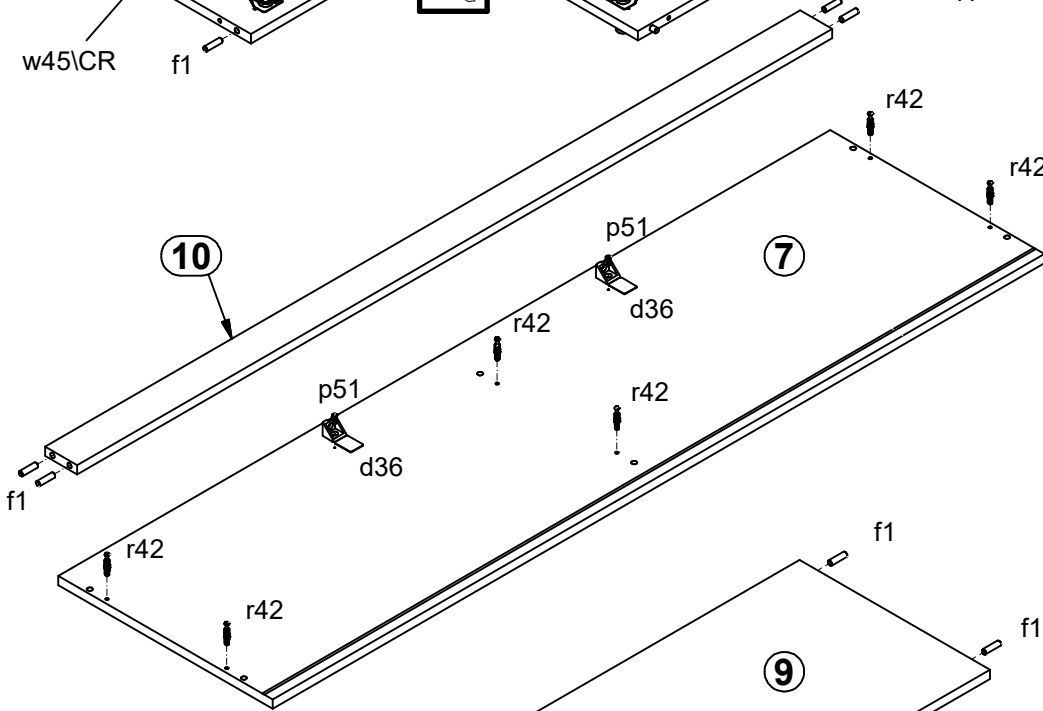
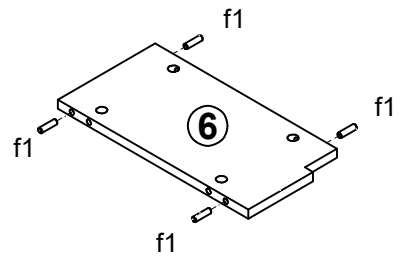
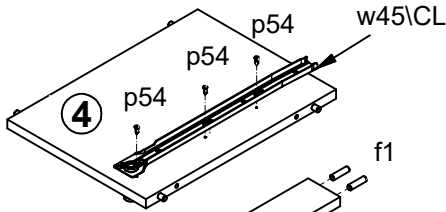
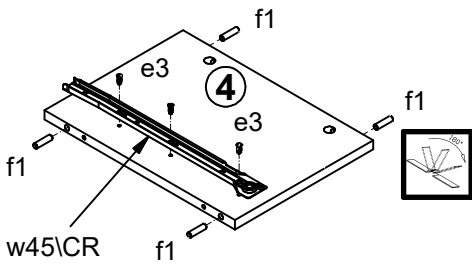
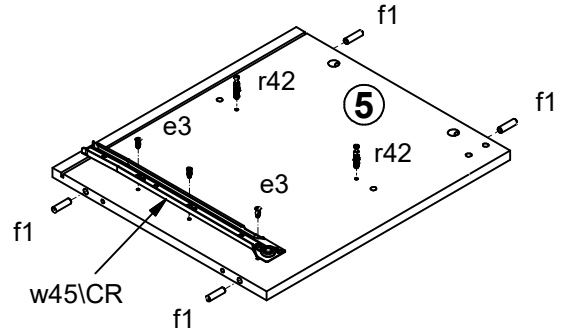
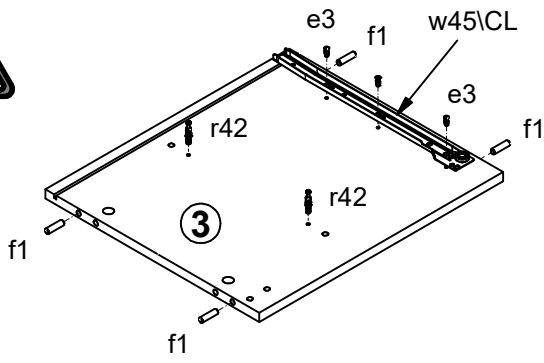


A	B	C	D	
1	S399-0003	702	270	2/2
2	S399-0004	702	270	2/2
3	S399-1003	456	400	1/2
4	S399-1004	259	356	1/2
5	S399-1005	456	400	1/2
6	S399-1006	182	356	1/2
7	S399-2003	1444	401	2/2
8	S399-2004	1444	401	2/2
9	S399-3002	1413	356	2/2
10	S399-4003	1413	60	2/2
11	S399-9002	672	355	2/2
12	S399-9003	194	1423	2/2
13	S399-9009	271	1423	2/2
14	ZS3-5712	650	160	2/2
15	ZS4-537	350	160	1/2
16	ZS4-538	350	160	1/2

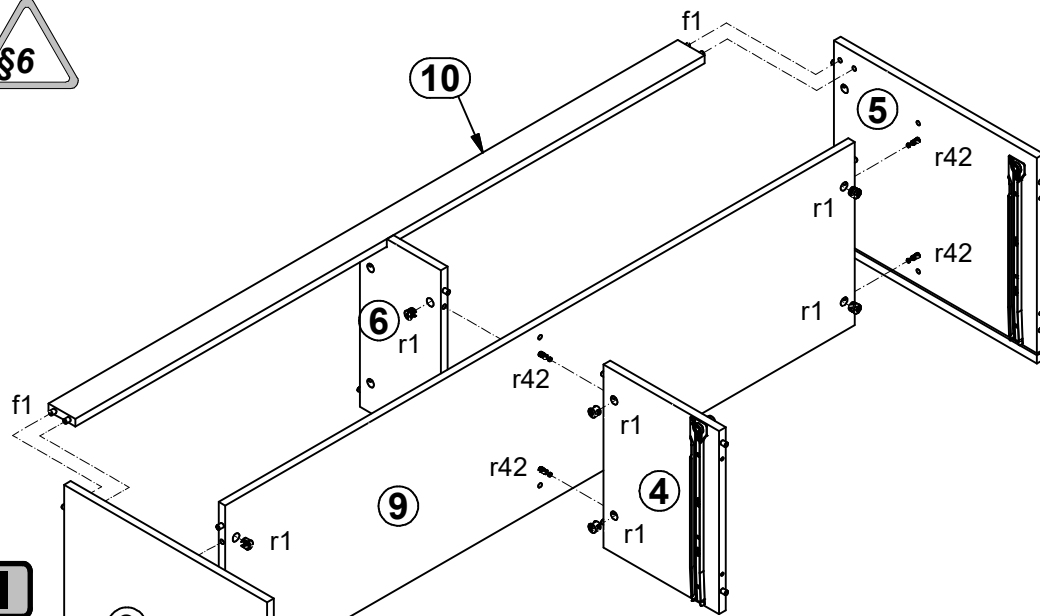


2x 128mm c405	2x d36	6x Ø7x50 mm e1	8x Ø5x9 mm e19	19x Ø6x13 mm e3	24x Ø8x30 mm f1	4x Ø6x30 mm f9	8x Ø6.5x40 mm f25	5x k82\1
5x k82\2	5x l1	12x Ø2.9x16 mm p55	6x 20x13x3.5\1 n108	4x silikon o21	2x Ø3.5x10 mm p25	2x Ø3.5x10 mm p35	8x Ø3.5x16 mm p38	4x Ø3.5x15 mm p51
3x Ø3x12 mm p54	6x Ø2.9x16 mm p55	4x Ø4x25 mm p87	14x Ø15x12 mm #16 r1	8x Ø12x10.5 mm #12 r15	22x 20\11 r42	2x 350 mm t35	2x 350 mm w45\CL	2x 350 mm w45\CR
2x 350 mm w45\DL	2x 350 mm w45\DR	2x Ø16 s2	1x 4 mm z1			1x n26\1	1x Ø3.5x16 mm p38	

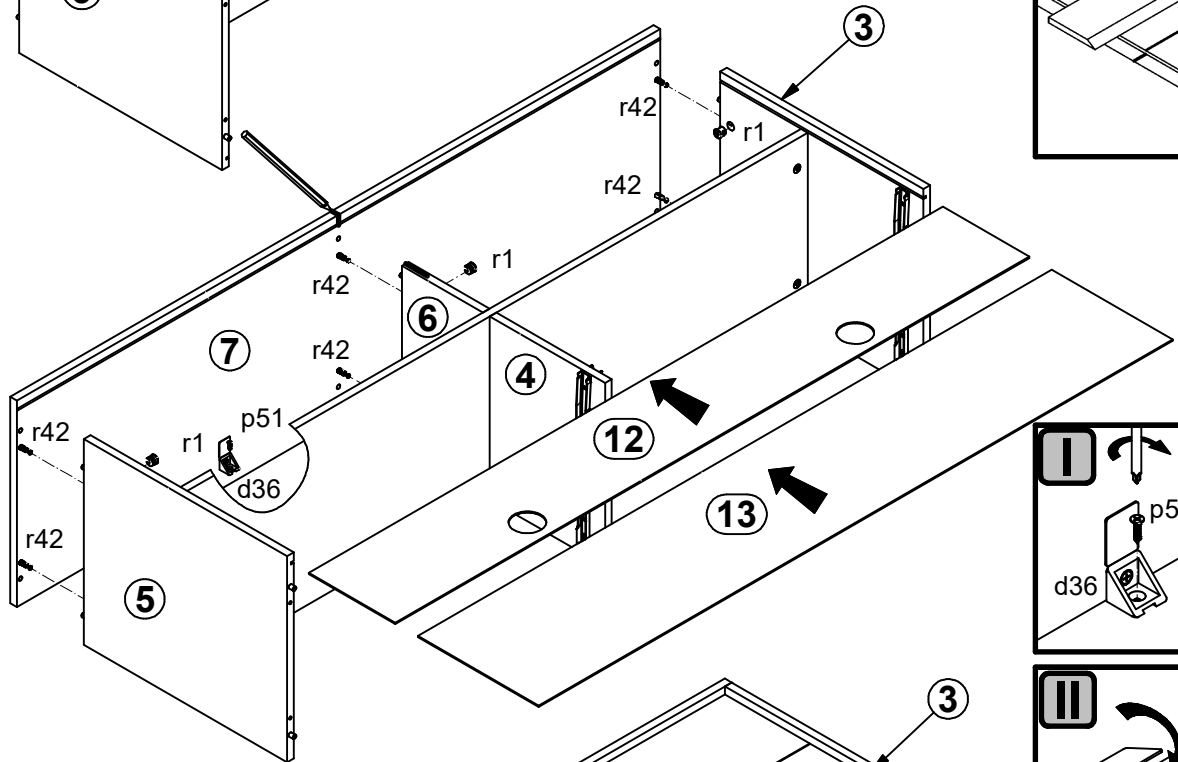
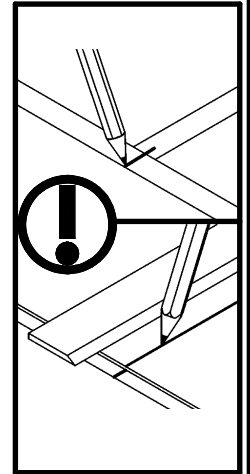
1 



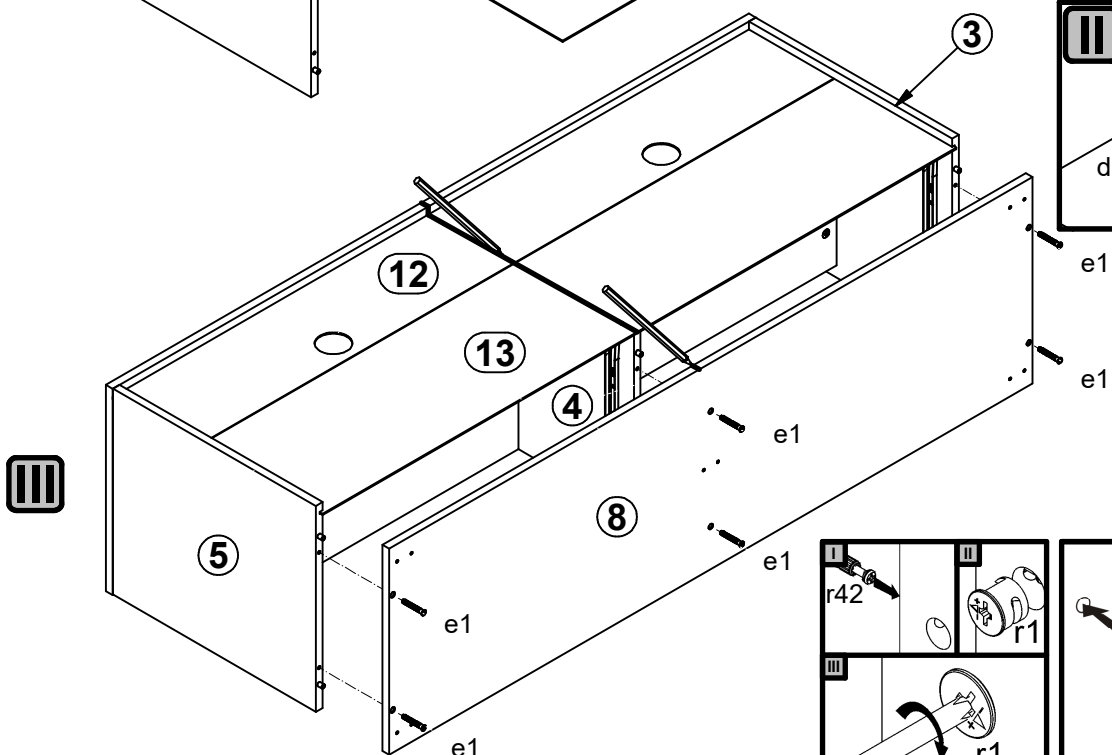
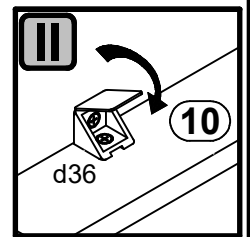
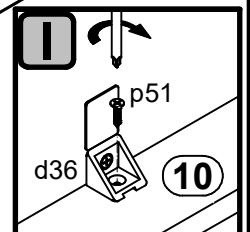
# 2



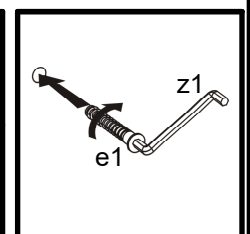
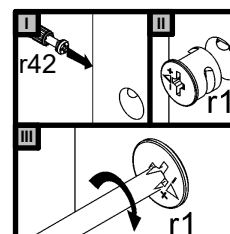
I

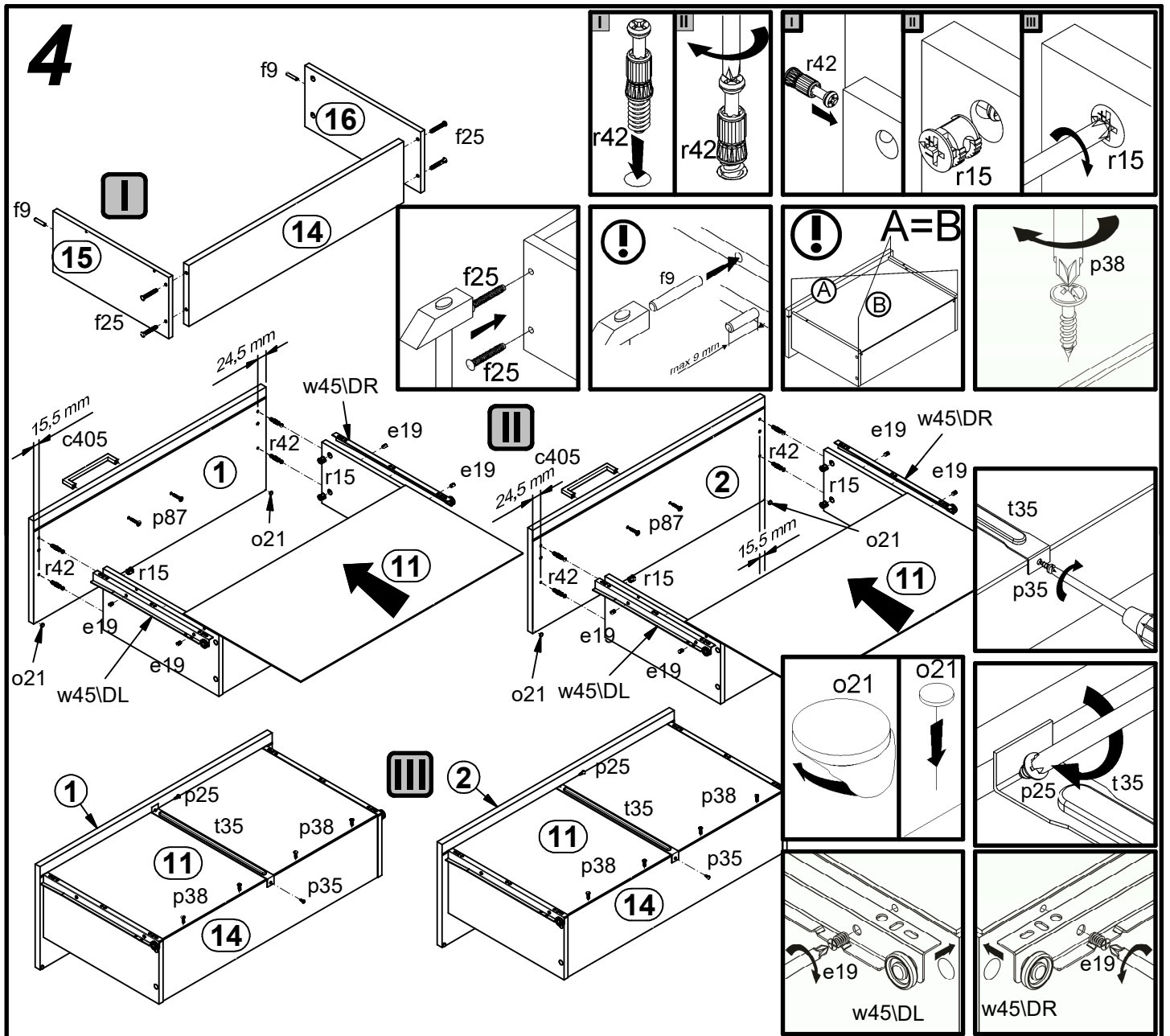
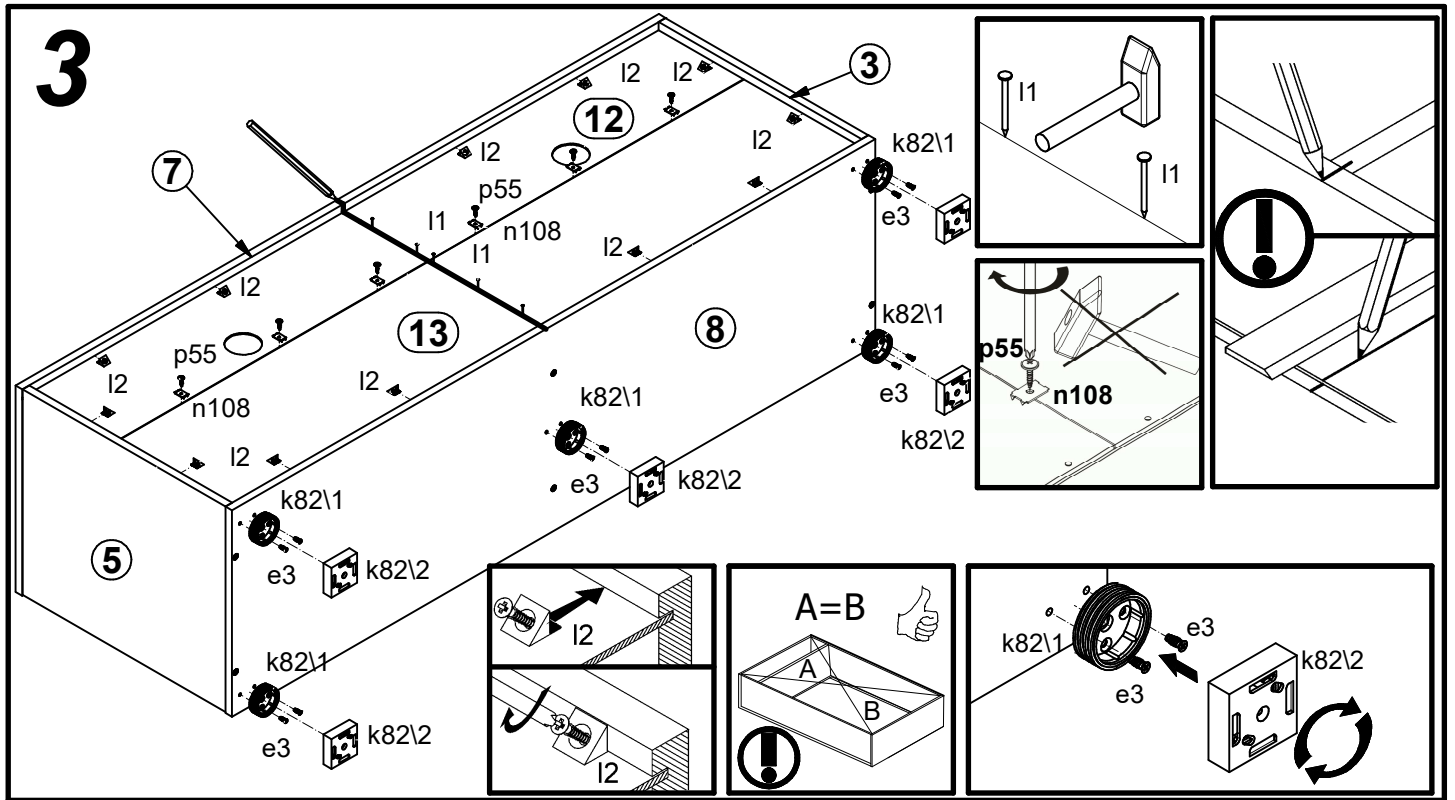


II



III





# 5

