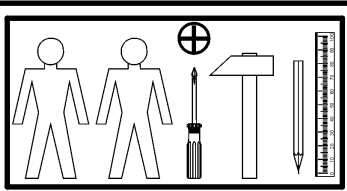
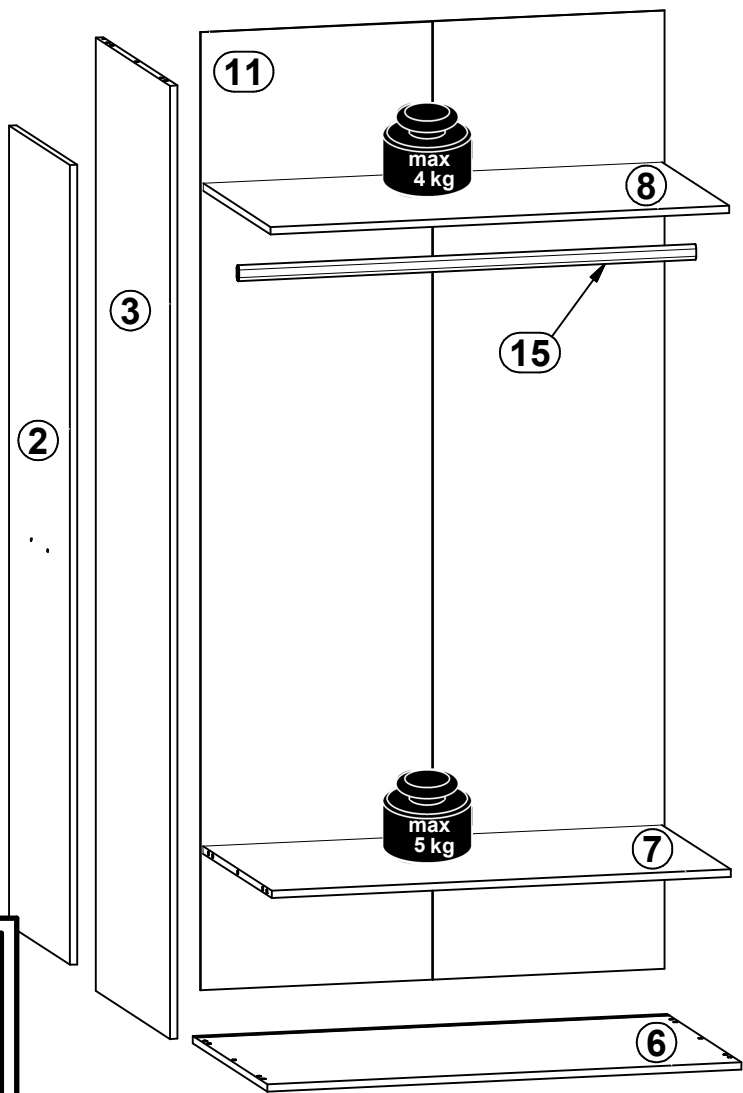
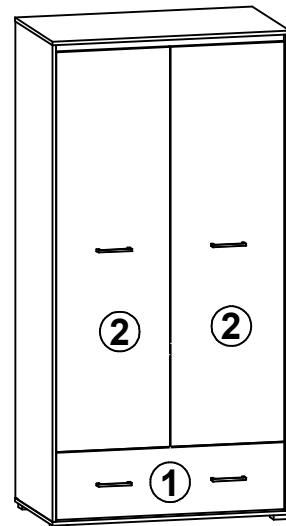
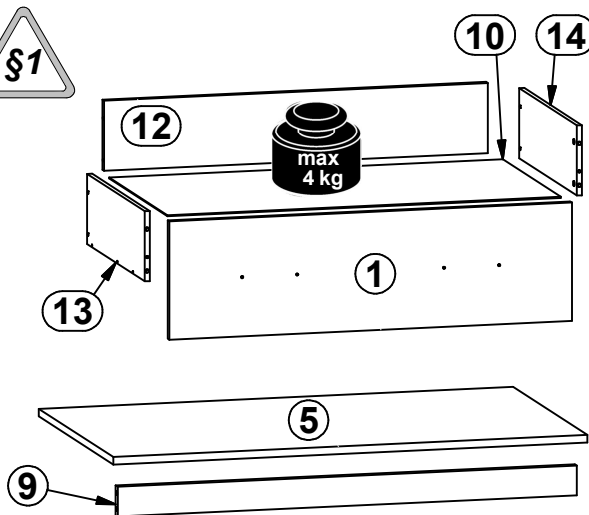


**A**

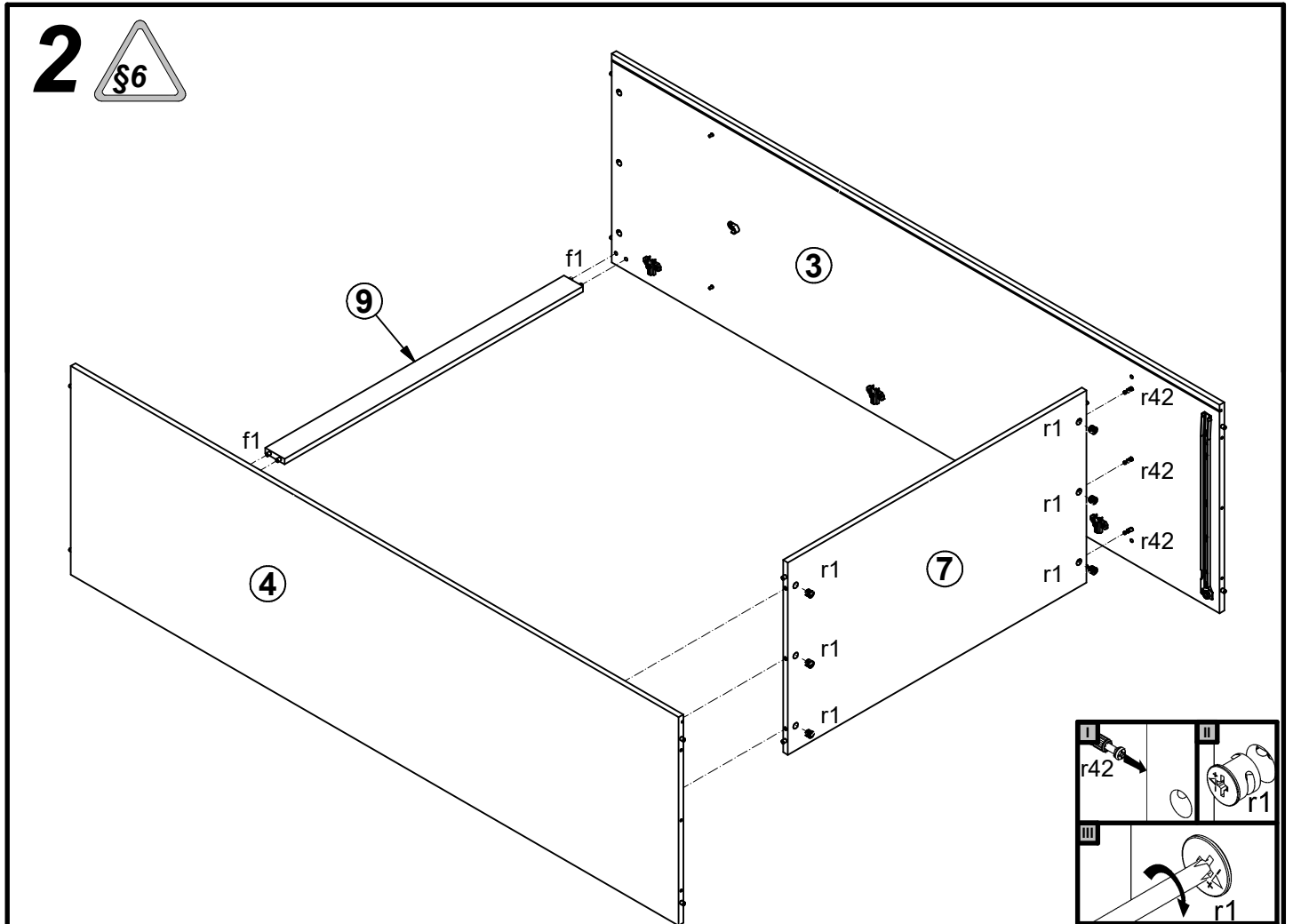
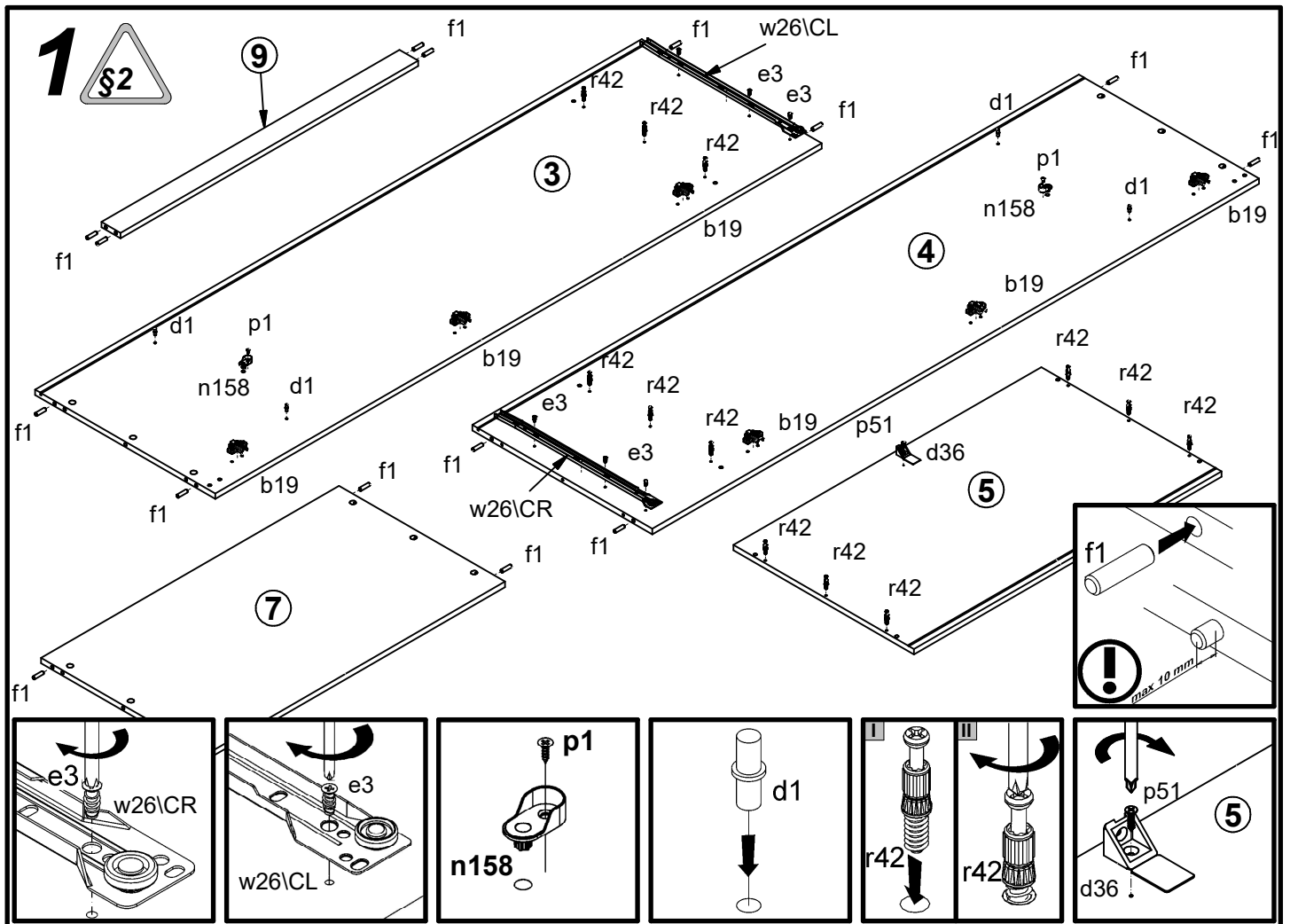
**RONSE**

**S399-SZF2D1S**

A	B	C	D	
1	S399-0001	937	270	1/3
2	S399-0002	1611	467	3/3
3	S399-1001	1920	570	2/3
4	S399-1002	1920	570	2/3
5	S399-2001	974	571	1/3
6	S399-2002	974	571	1/3
7	S399-3001	943	526	1/3
8	S399-3003	942	516	1/3
9	S399-4001	943	60	1/3
10	S399-9001	916	505	1/3
11	S399-9301	1930	953	2/3
12	ZS3-5709	894	160	1/3
13	ZS4-539	500	160	1/3
14	ZS4-540	500	160	1/3
15	dr-939	939	30	1/3

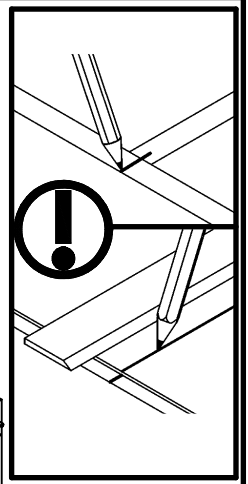
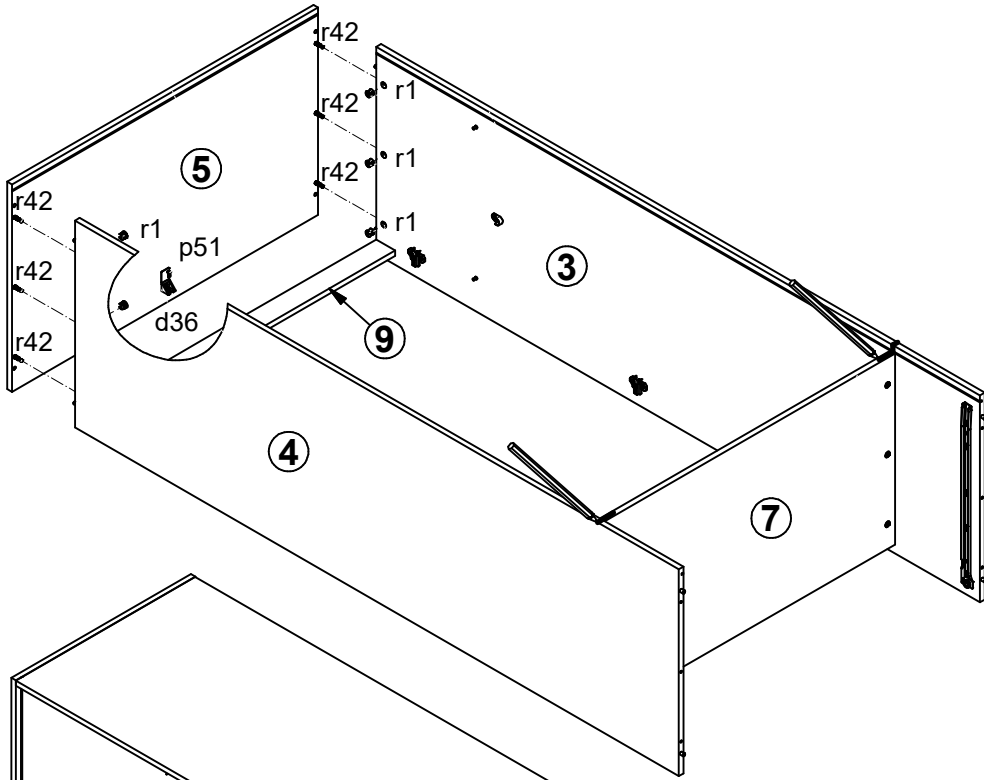


6x K16 a43	6x b19	4x 128mm c405	4x Ø5x17 mm d1	1x d36	6x Ø7x50 mm e1	6x Ø5x9 mm e19	14x Ø6x13 mm e3	16x Ø8x30 mm f1
2x Ø6x30 mm f9	4x Ø6,5x40 mm f25	4x k82\1	4x k82\2	10x l1	16x l2	2x n158	6x silikon o21	2x Ø3,5x13 mm p1
1x Ø3,5x16 mm p25	1x Ø3,5x10 mm p35	6x Ø3,5x16 mm p38	14x Ø3,5x15 mm p51	8x Ø4x25 mm p87	12x Ø15x12 mm #16 r1	4x Ø12x10,5 mm #12 r15	16x 20/11 r42	1x 500 mm t34
1x 500 mm w26\CL	1x 500 mm w26\CR	1x 500 mm w26\DL	1x 500 mm w26\DR	6x Ø16 s2	1x 4 mm z1	1x n26\1	1x Ø3,5x16 mm p38	

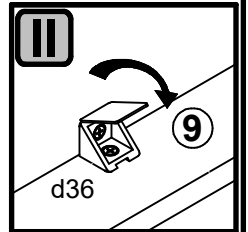
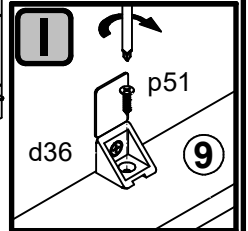
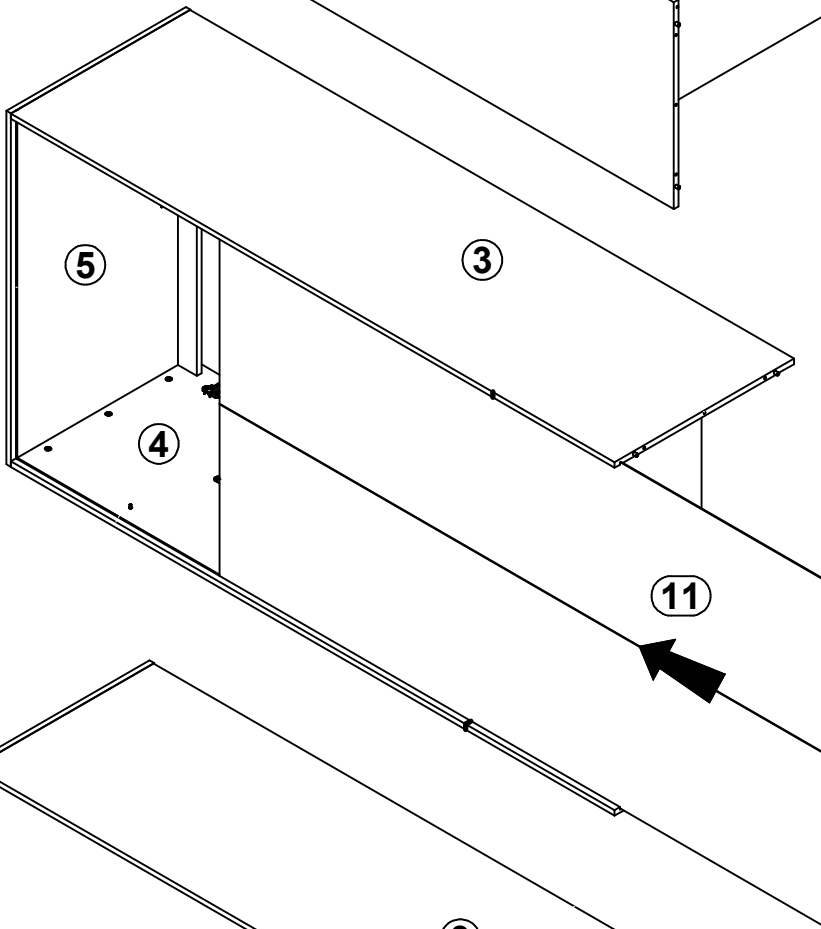


# 3

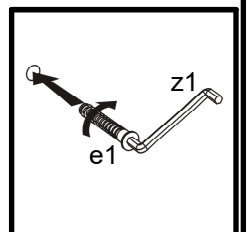
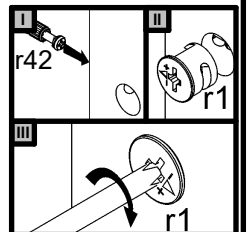
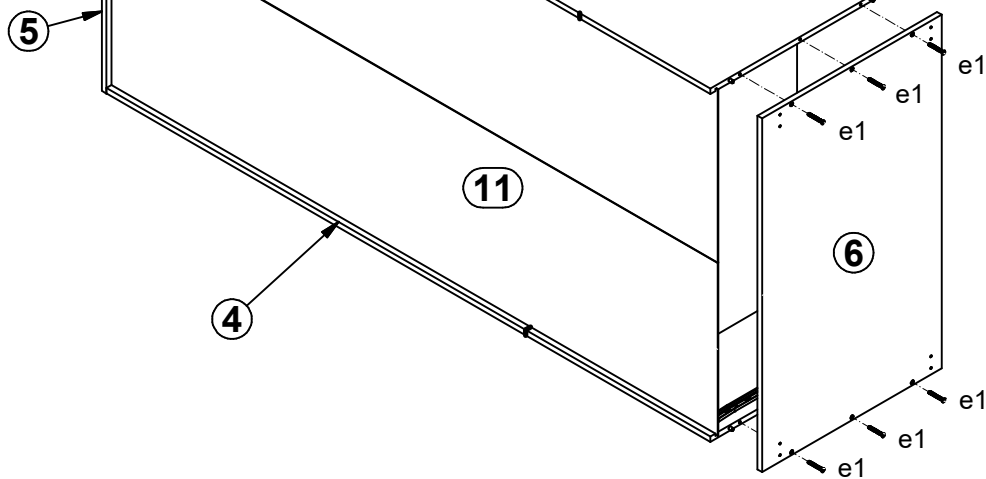
I

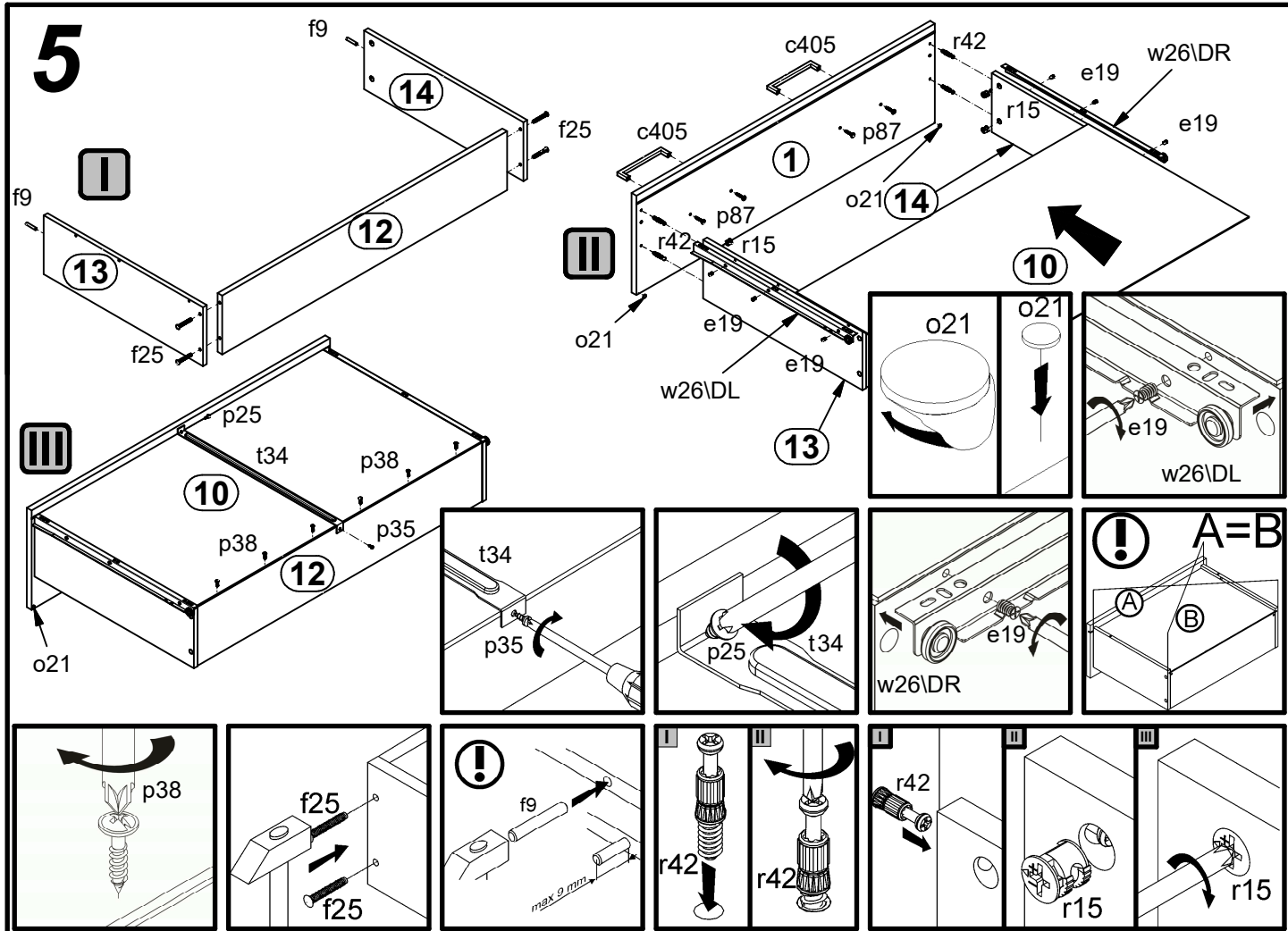
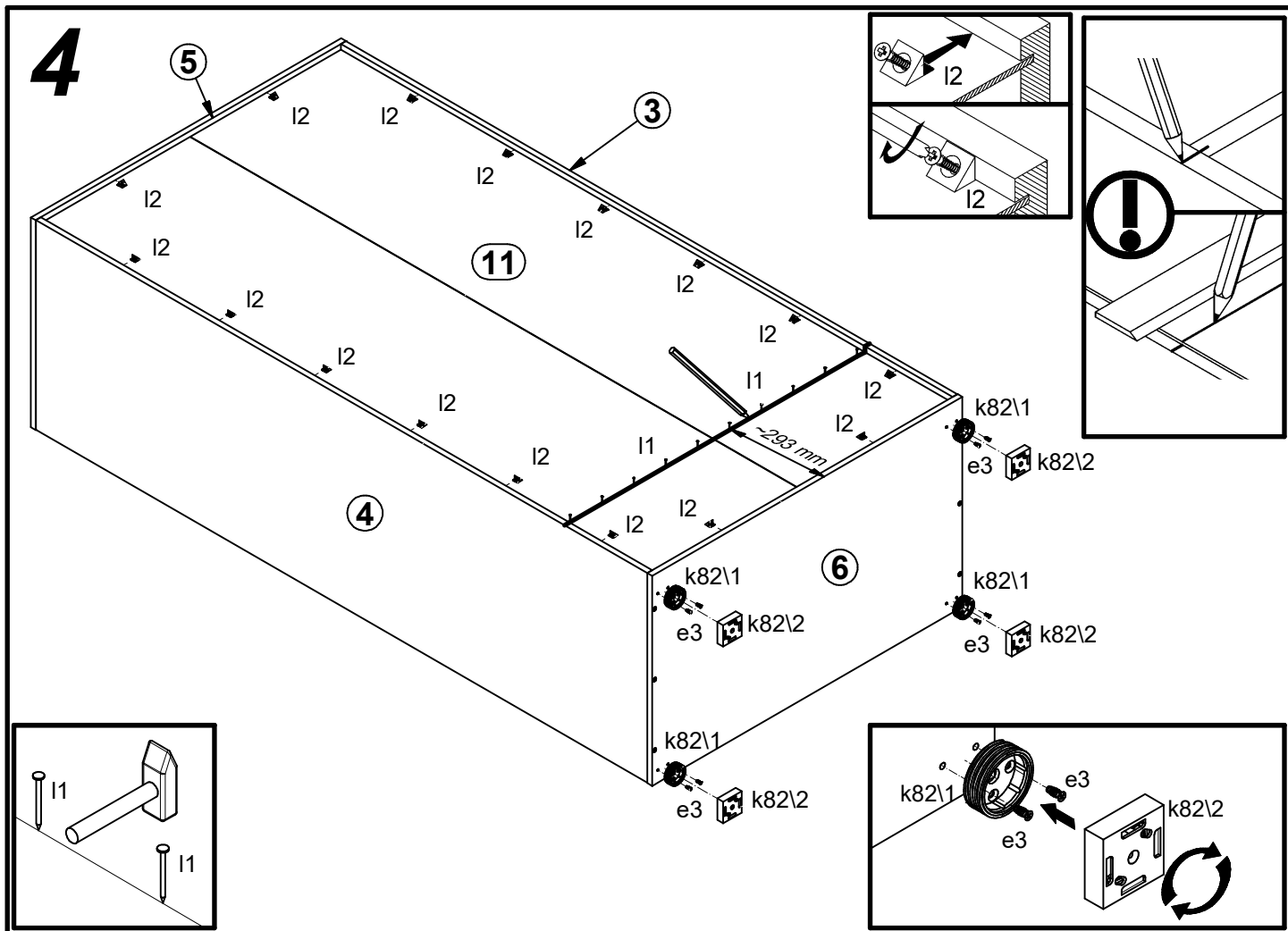


II

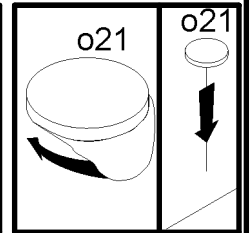
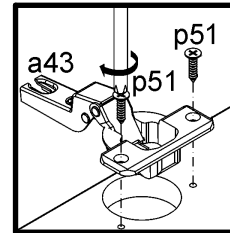
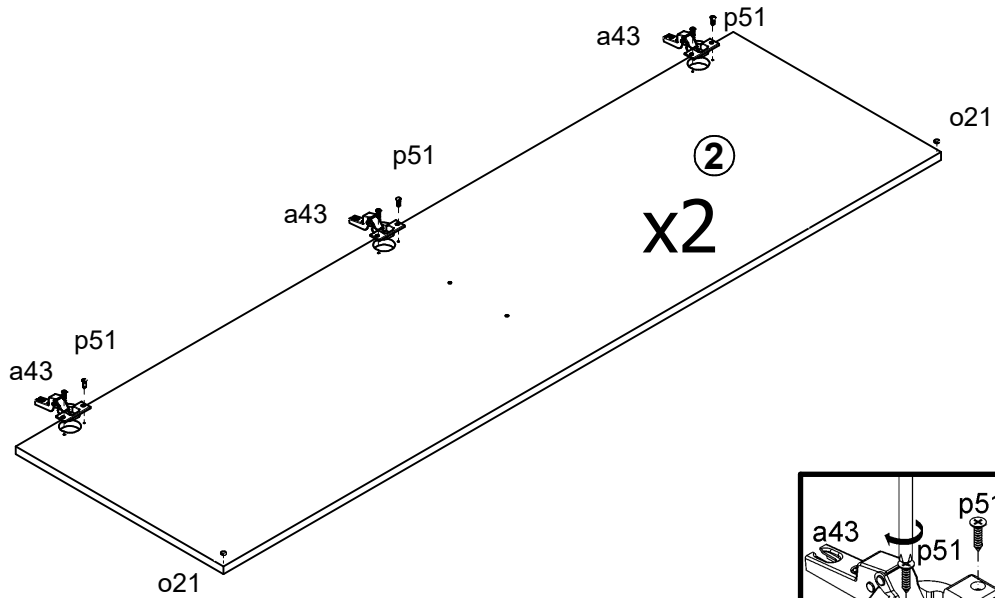


III

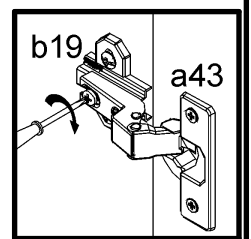
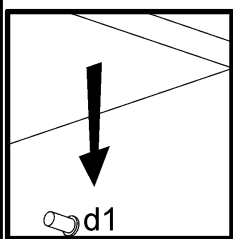
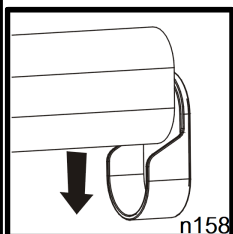
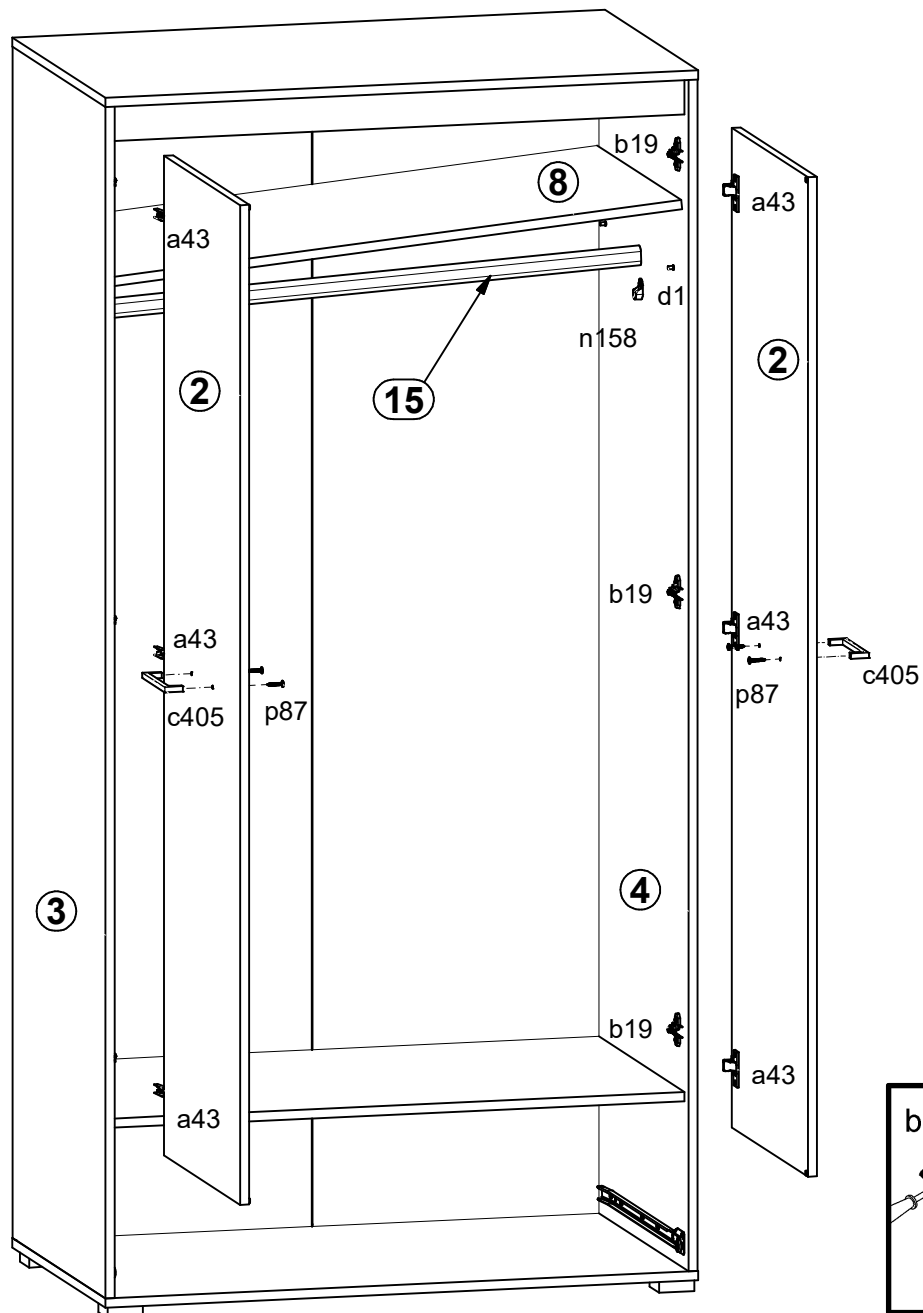




# 6



# 7



# 8

