

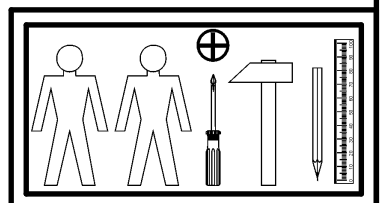
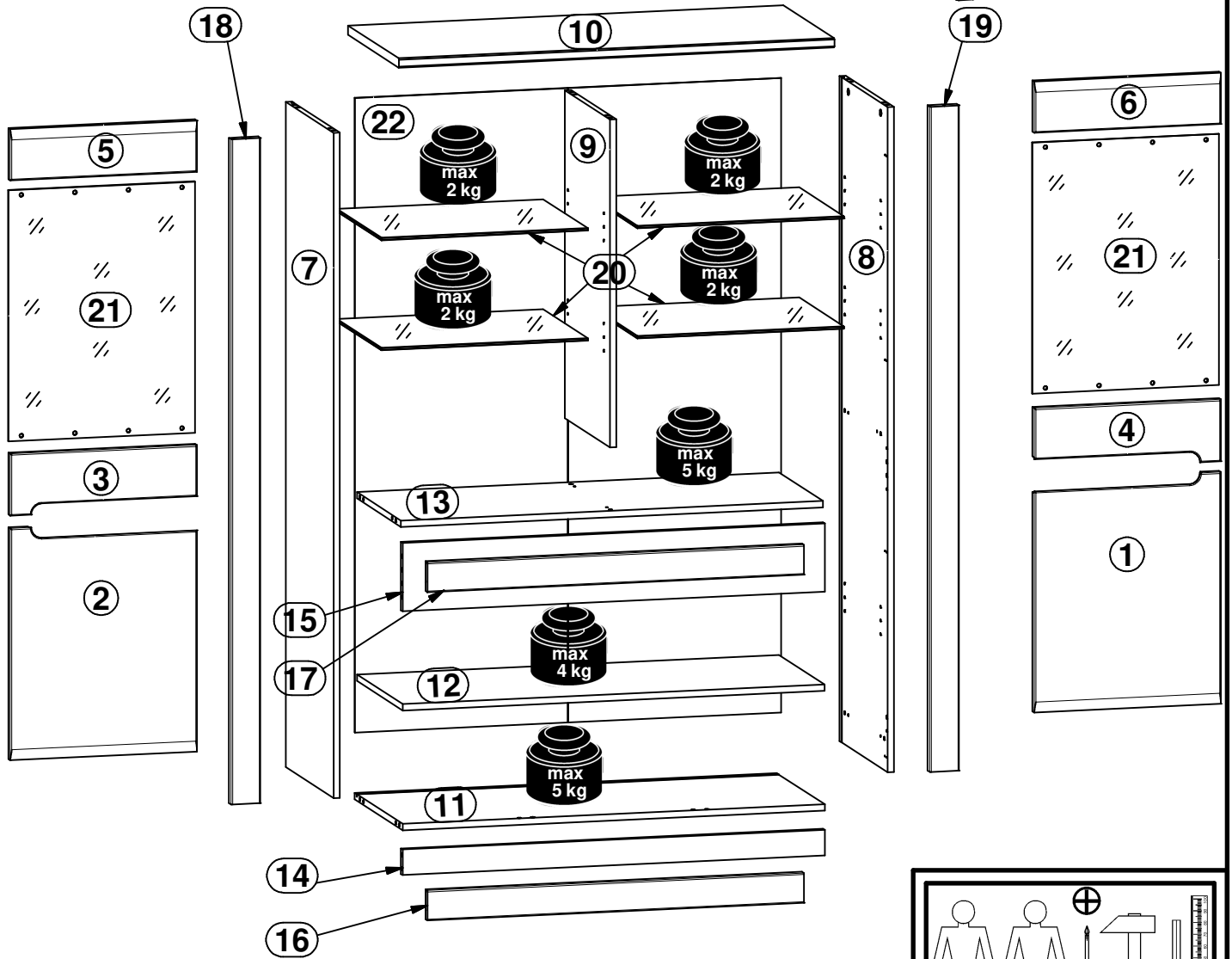
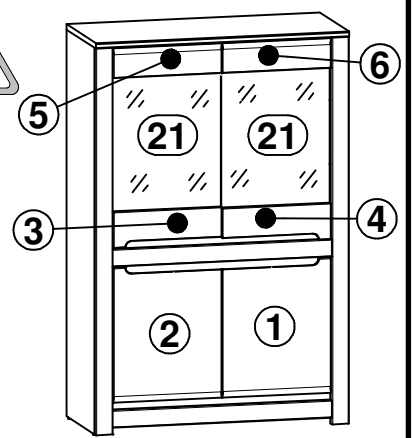
A

RUSO

S407-REG2W2D

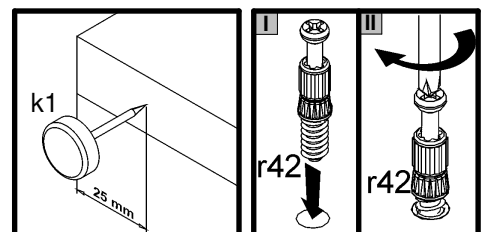
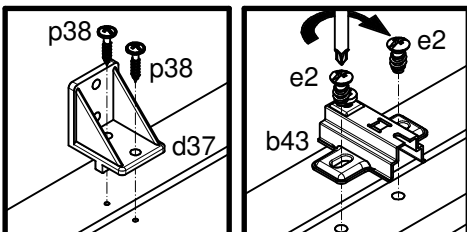
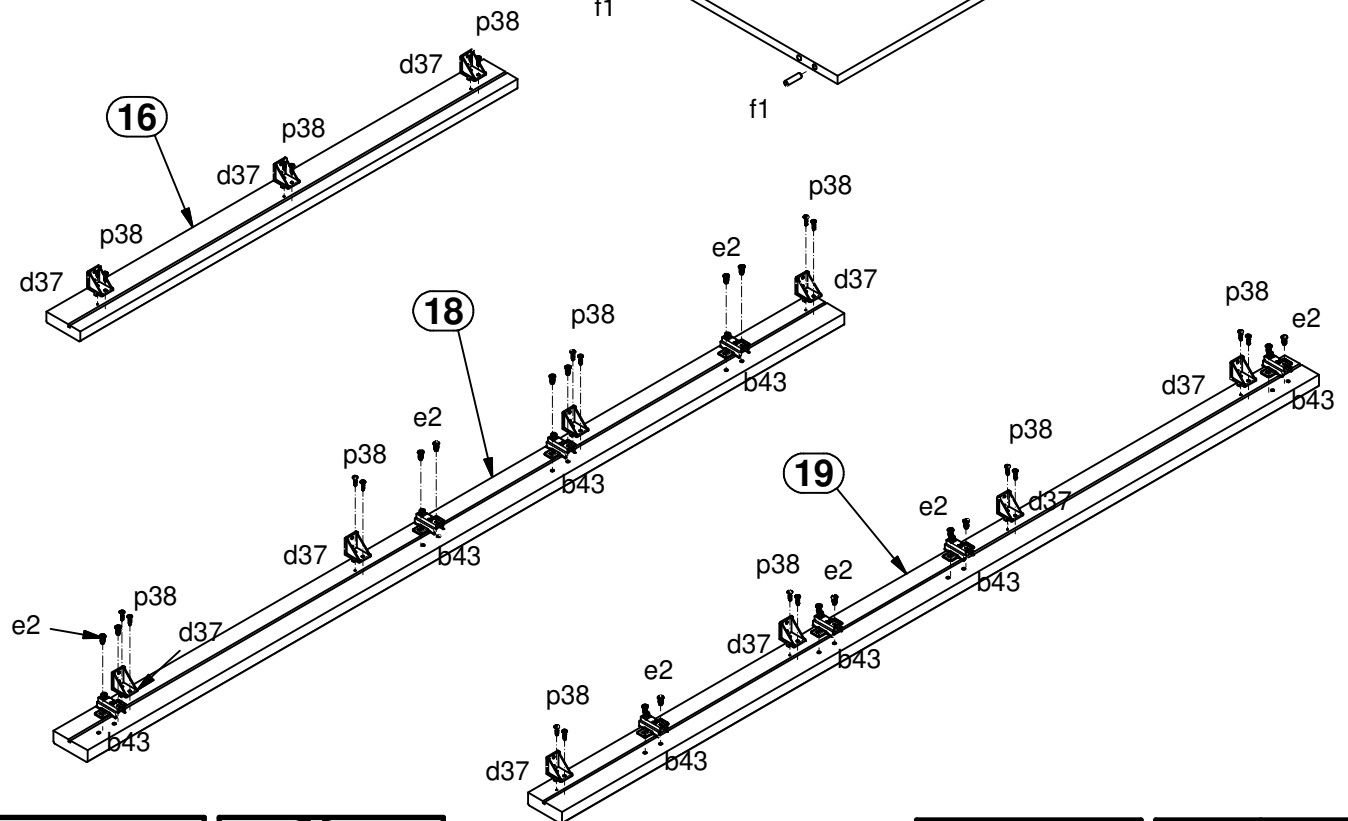
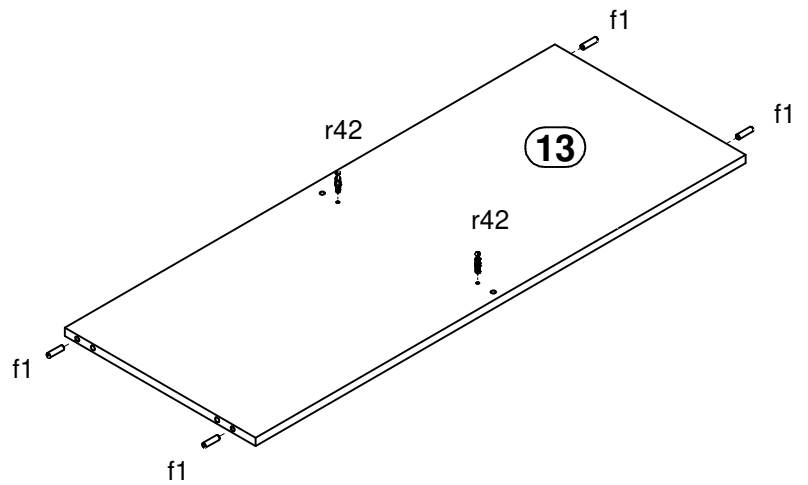
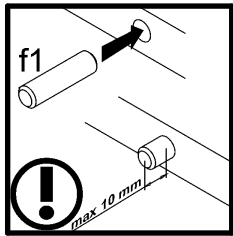
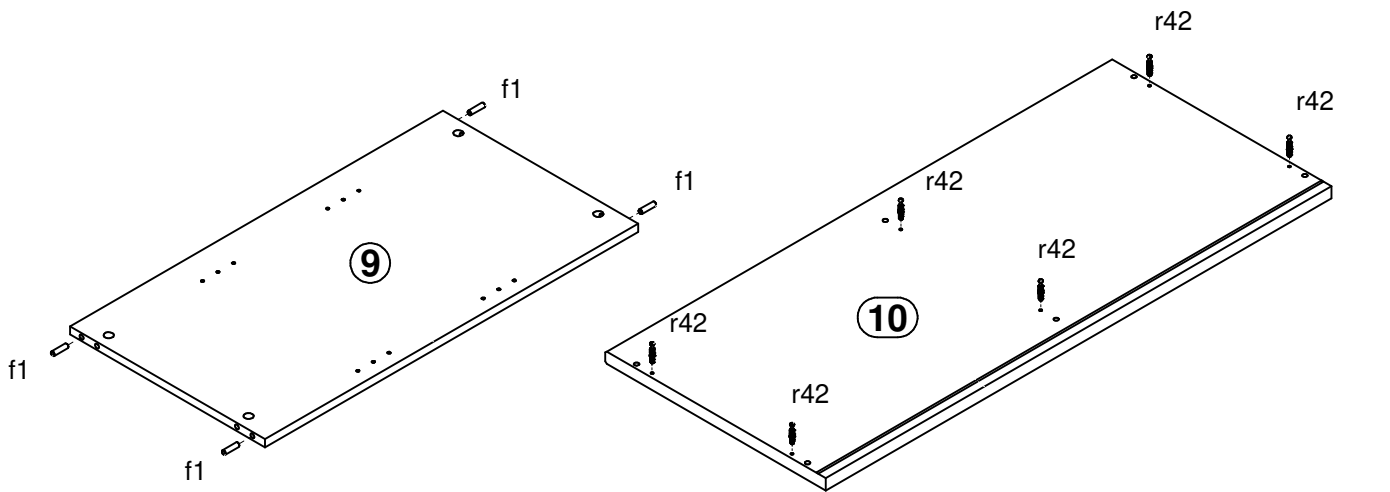
A	B	C	D	
1	S407-0004	543	446	3/3
2	S407-0005	543	446	3/3
3	S407-0012	446	145	3/3
4	S407-0013	446	145	3/3
5	S407-0015	446	120	3/3
6	S407-0016	446	120	3/3
7	S404-1029	1558	428	1/3
8	S404-1030	1558	428	1/3
9	S404-1031	768	402	1/3
10	S404-2008	1041	454	2/3
11	S404-3001	1009	428	2/3

A	B	C	D	
12	S404-3002	1008	407	2/3
13	S404-3014	1009	393	2/3
14	S404-4001	1009	60	2/3
15	S404-4002	1009	160	2/3
16	S404-5003	900	70	2/3
17	S404-5004	900	70	2/3
18	S404-5022	1558	70	1/3
19	S404-5023	1558	70	1/3
20	S404-5051	495	398	2/3
21	S404-5055	588	446	3/3
22	S404-9307	1486	1019	1/3

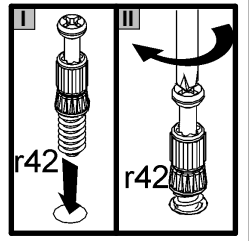
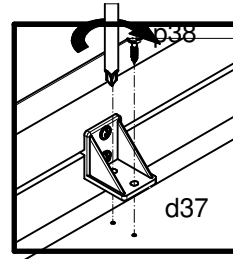
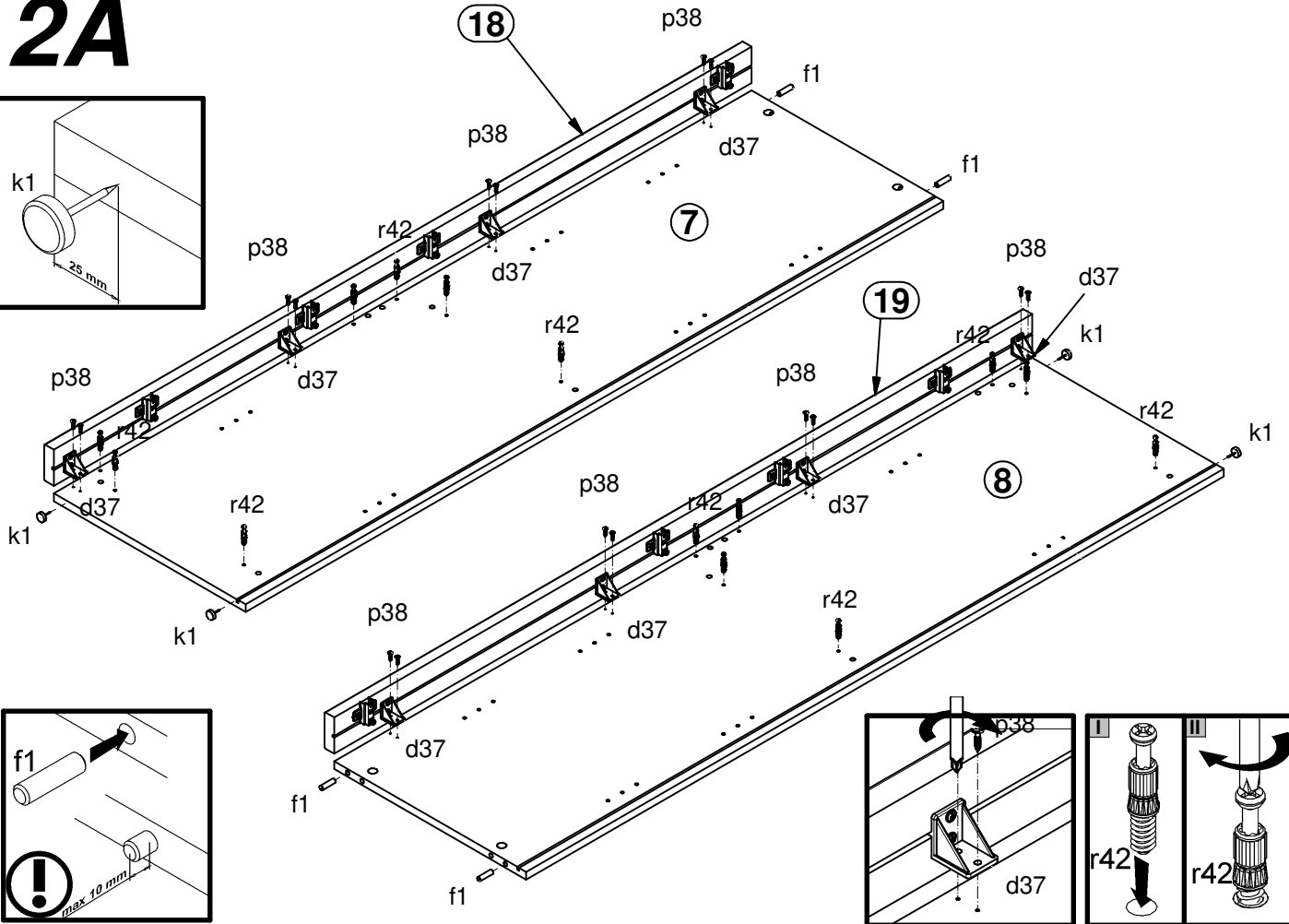
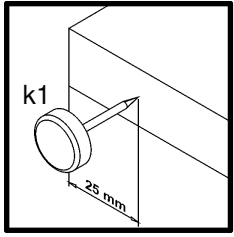


8x a132	4x a133	8x b43	4x d1 Ø5x17 mm	16x d3 Ø5x17 mm	1x d36	11x d37	2x e1 Ø7x50 mm	16x e2 Ø6.3x13 mm
16x e41 Ø5x12 mm	3x e45 Ø7x24 mm	24x f1 Ø8x30 mm	2x f13 Ø8x20 mm	4x k1	10x l1 1.4x20 mm	10x l2	16x o54 Ø5.3xØ8.3x4.8 mm	46x p38 Ø3.5x16 mm
16x p51 Ø3.5x15 mm	22x r1 Ø15x12 mm #16	22x r42 20/11	8x s2 Ø16	1x z1 4 mm			1x n26/1	1x p38 Ø3.5x16 mm

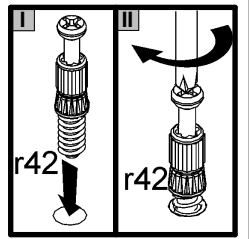
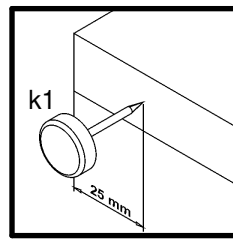
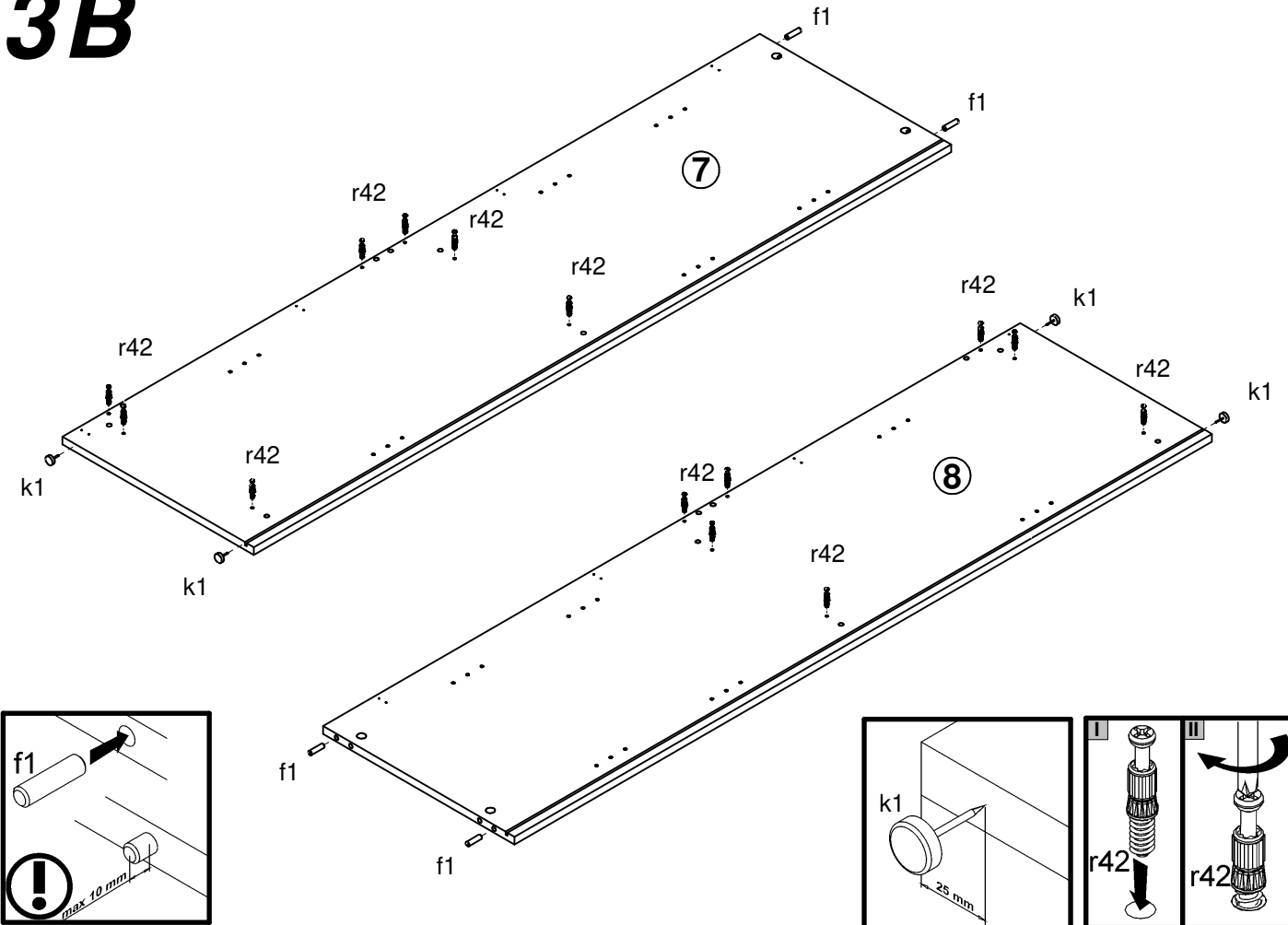
1



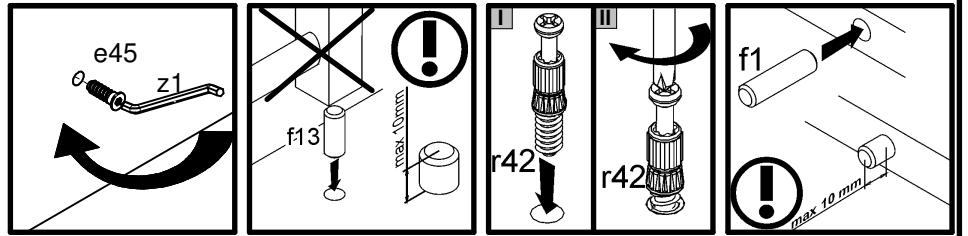
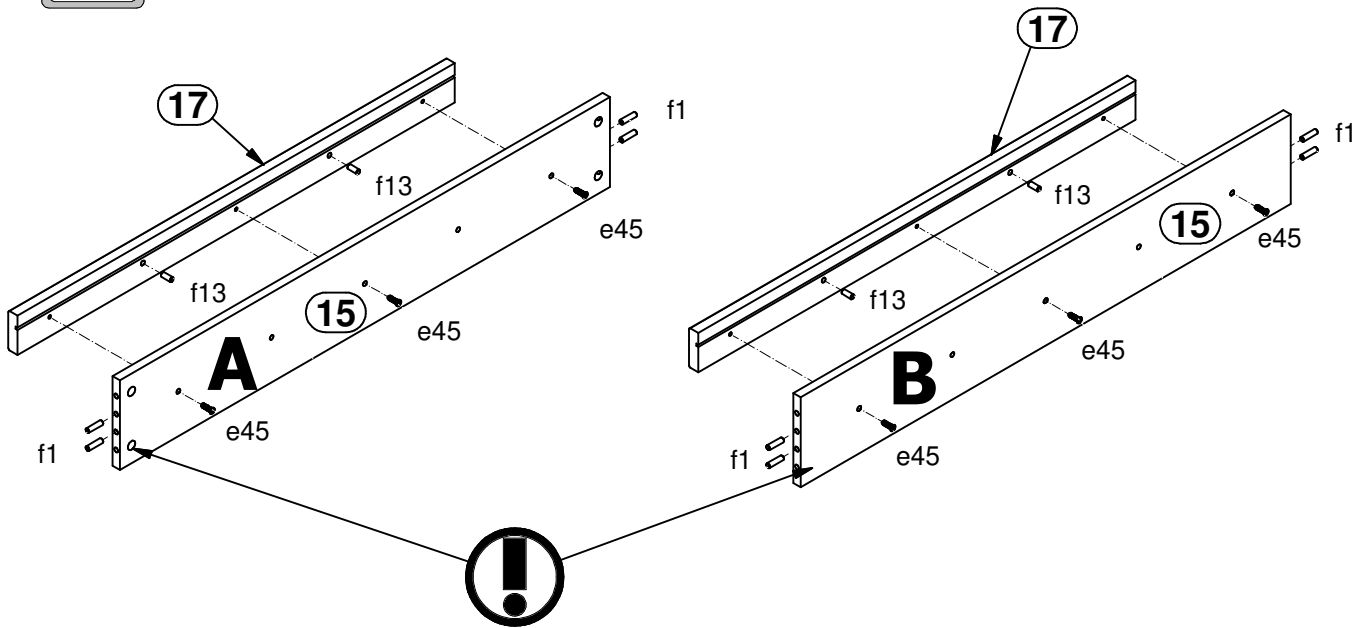
2A



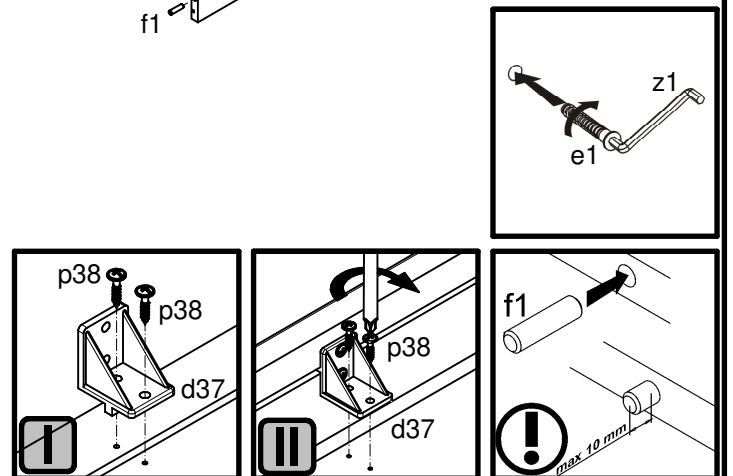
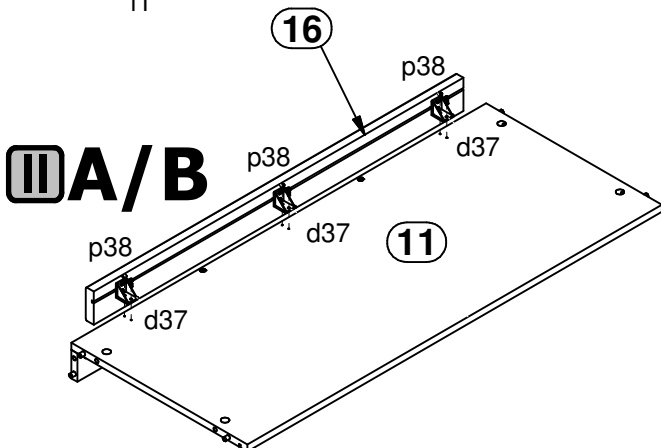
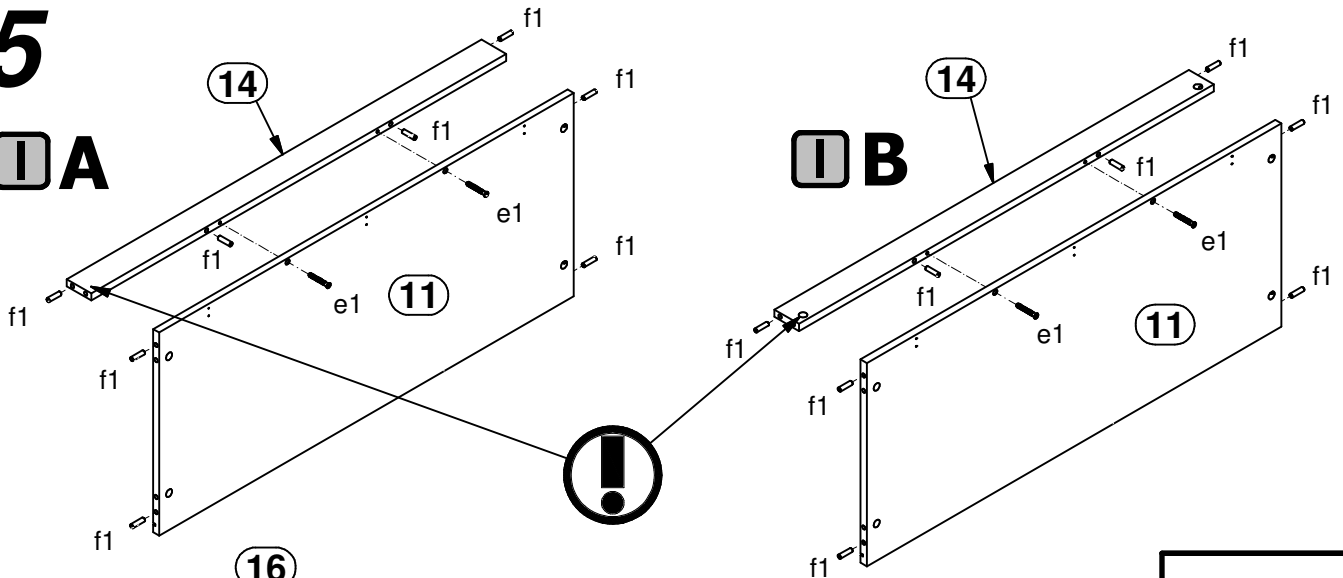
3B



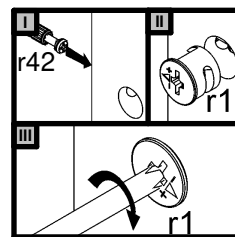
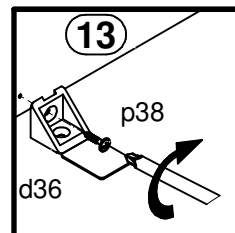
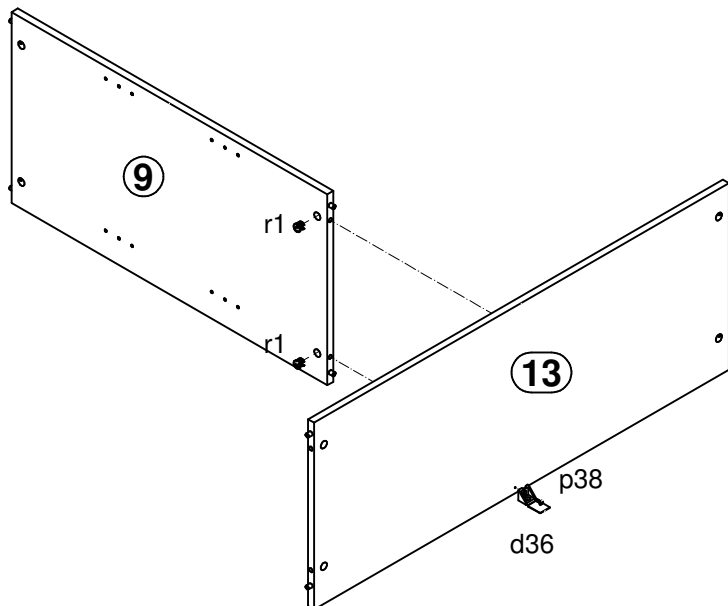
4



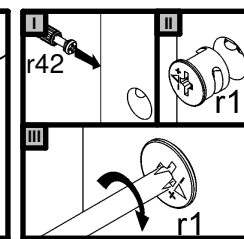
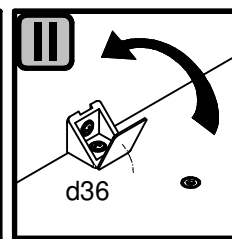
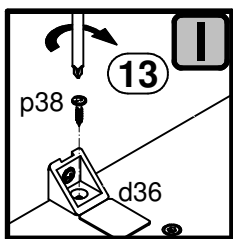
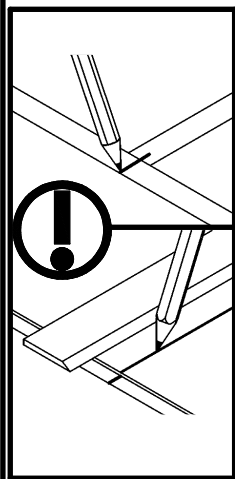
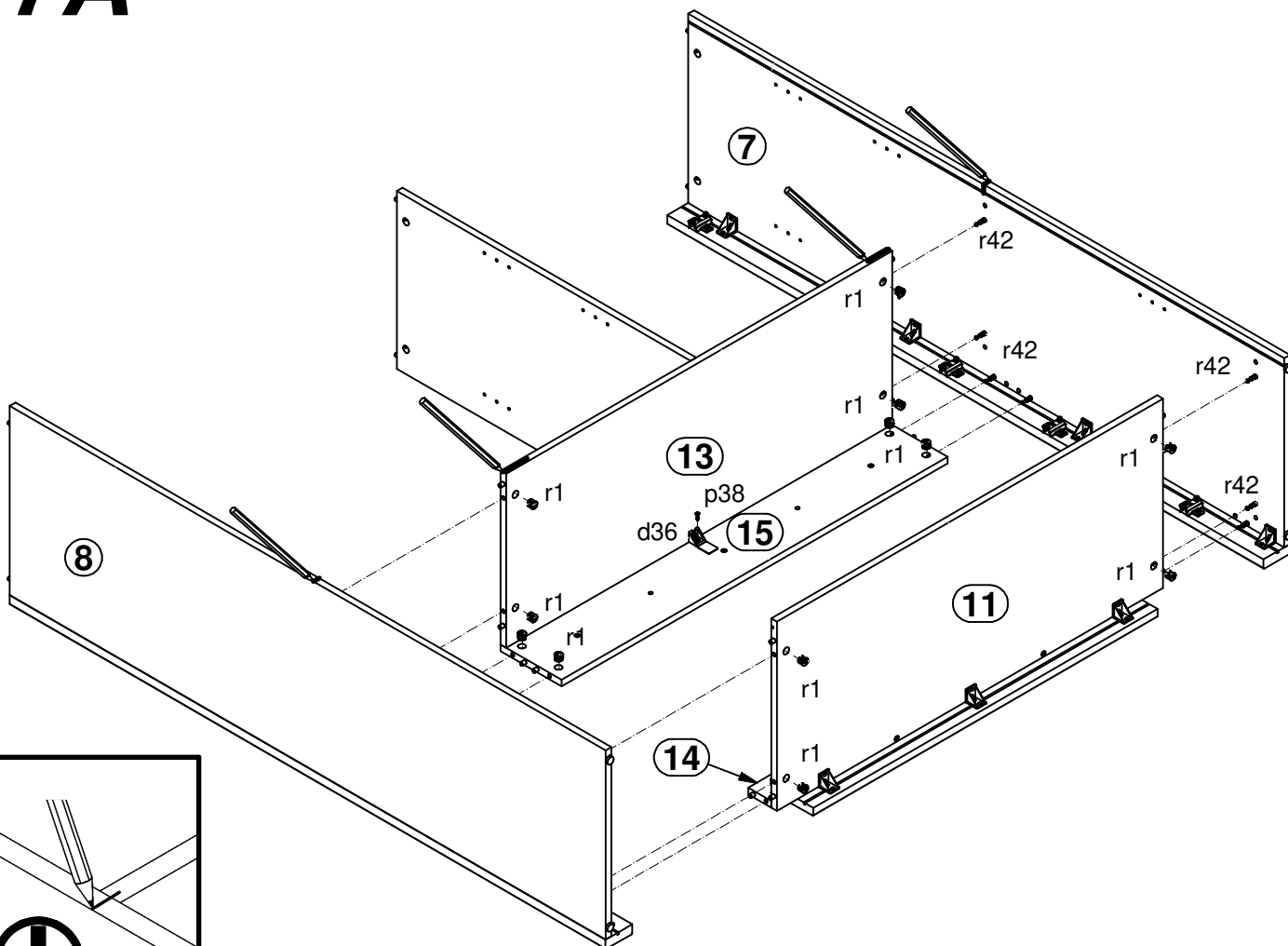
5



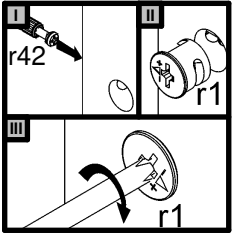
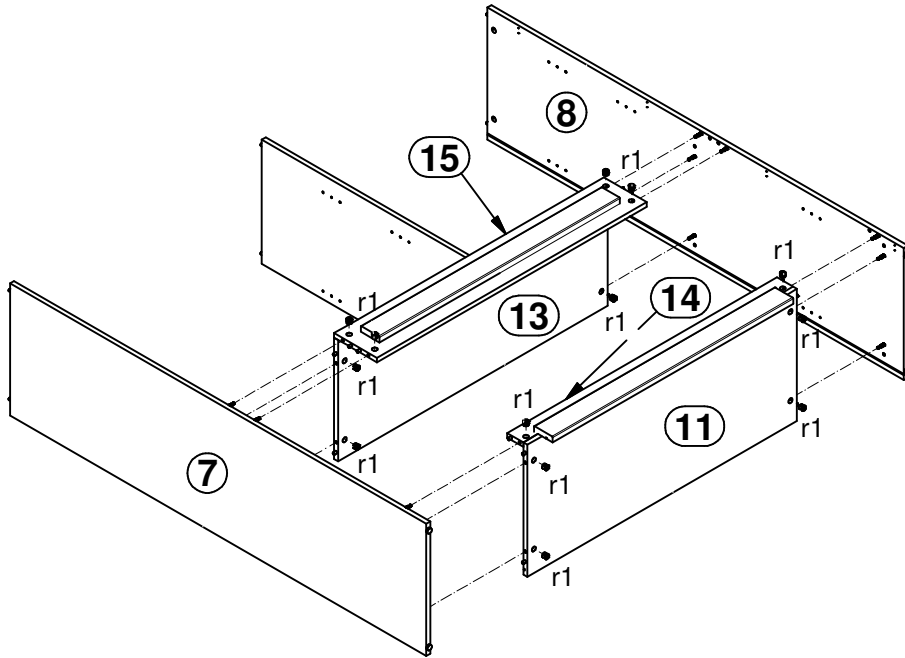
6



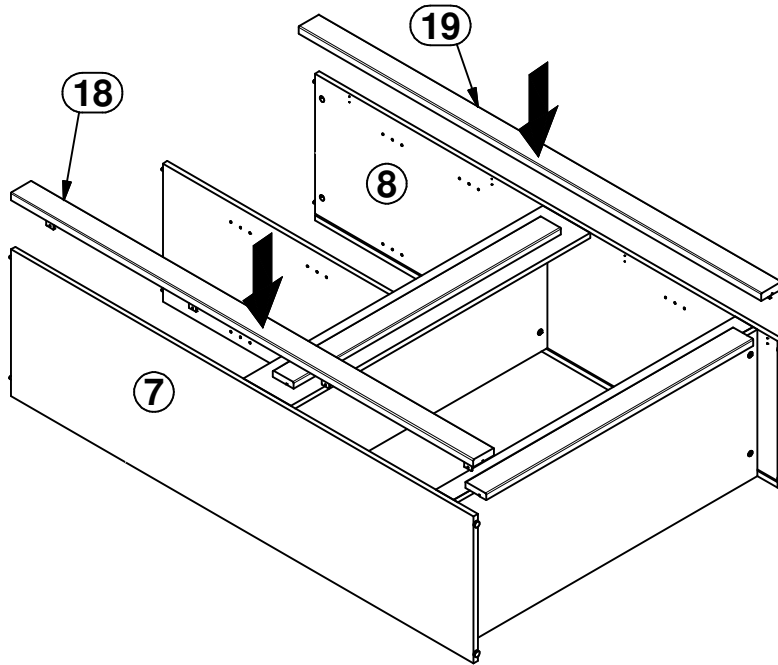
7A



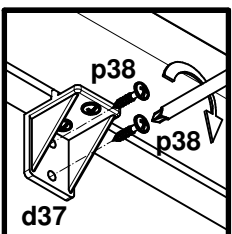
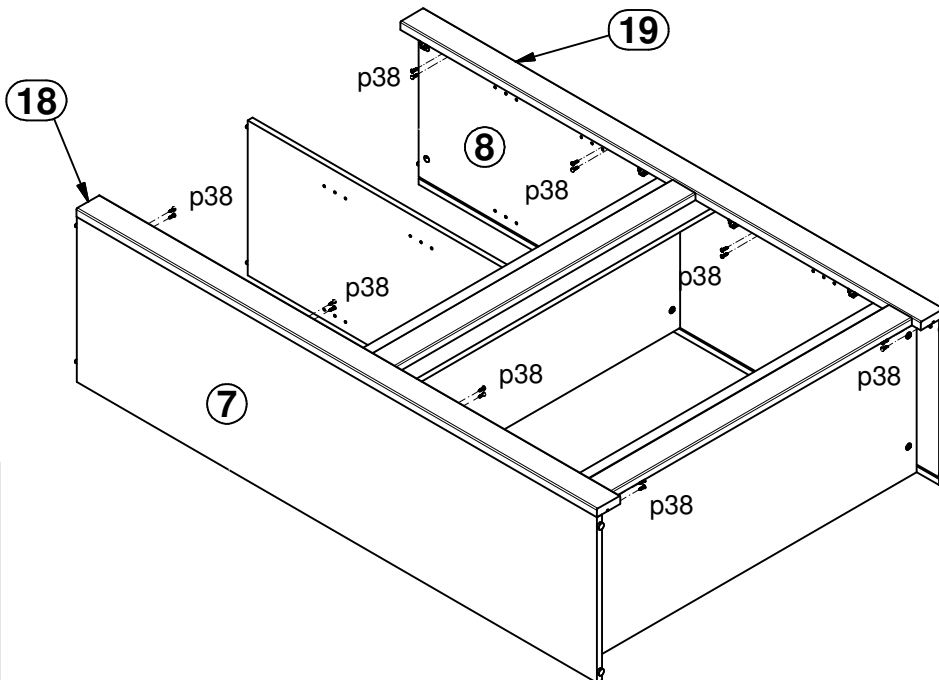
8B



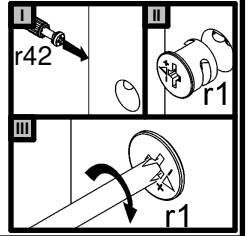
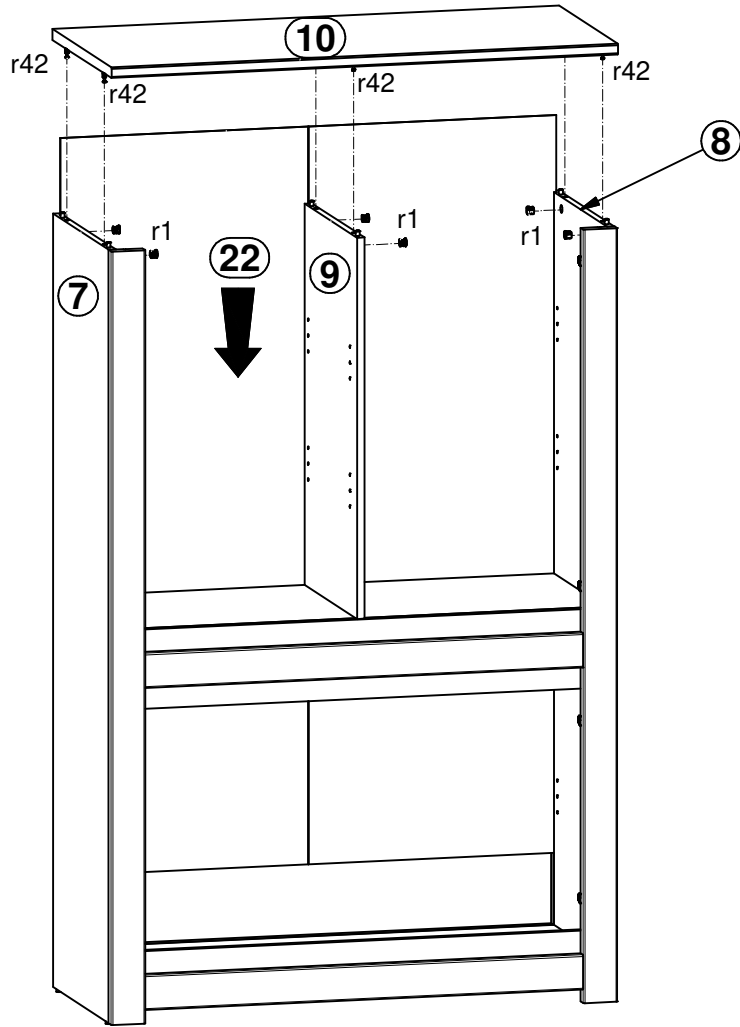
9B



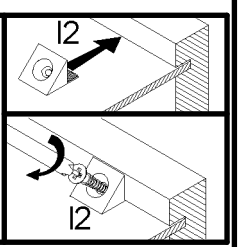
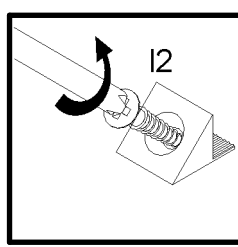
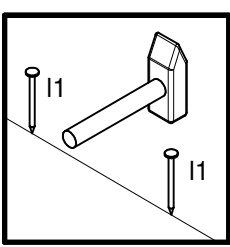
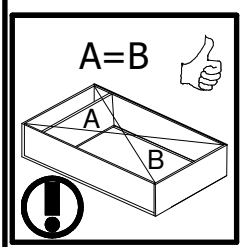
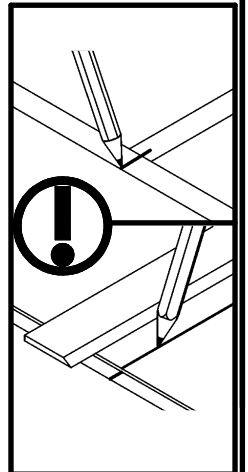
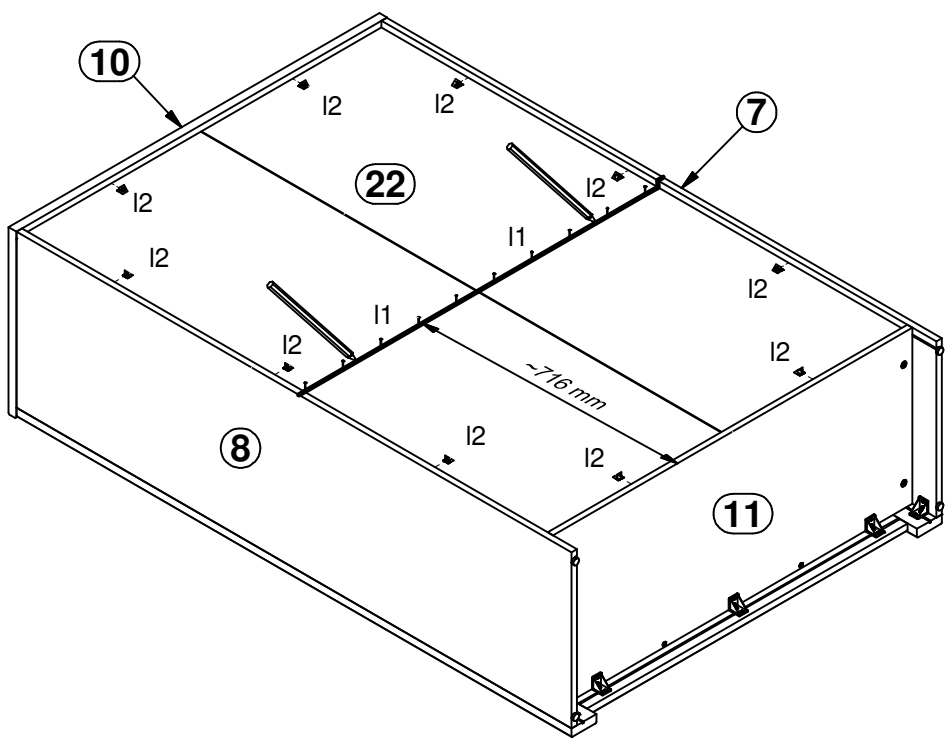
10B



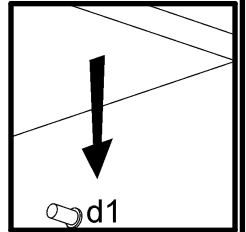
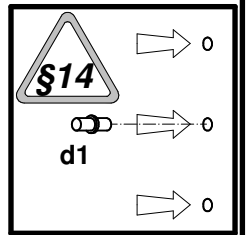
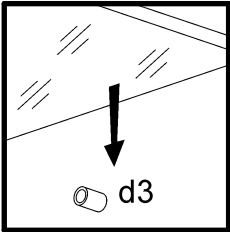
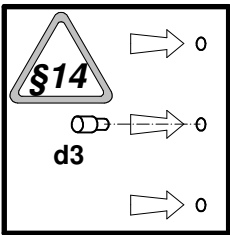
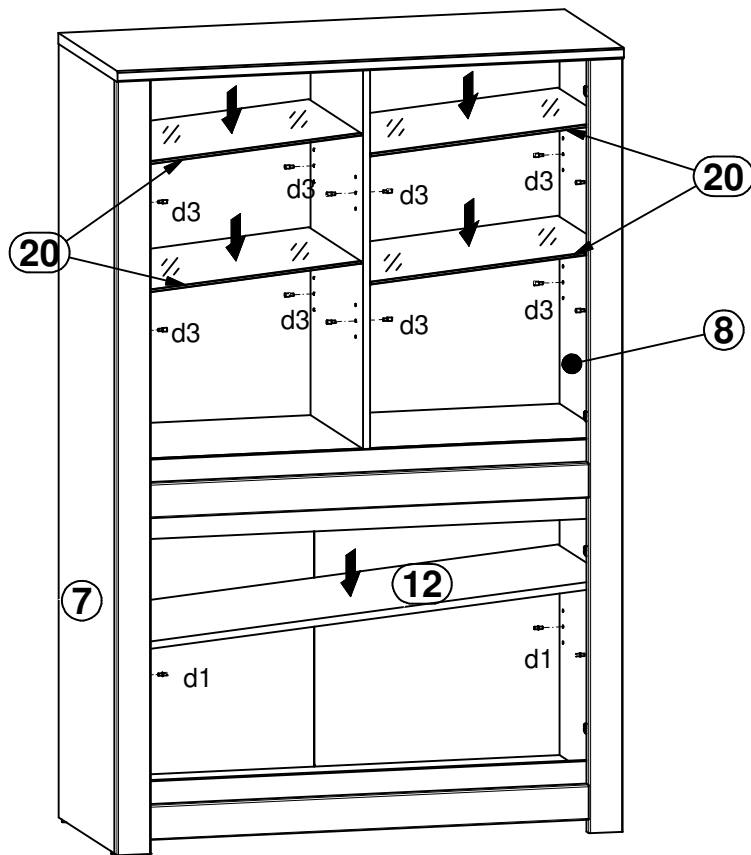
11



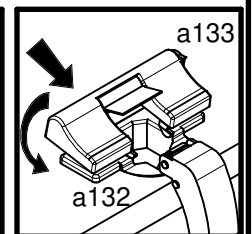
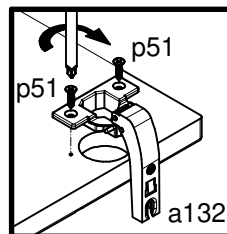
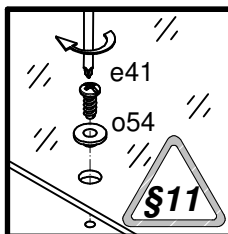
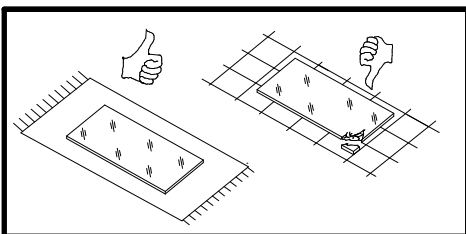
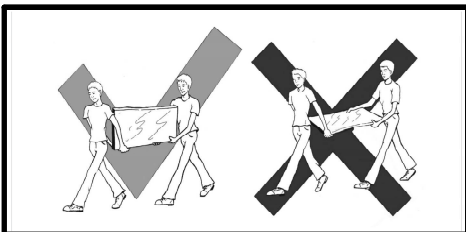
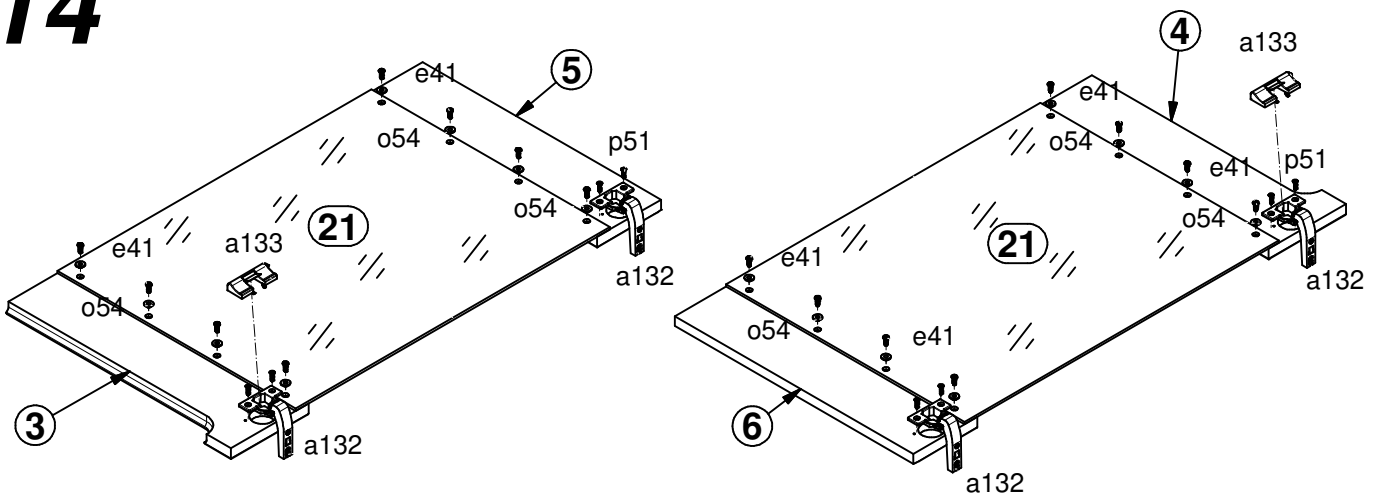
12



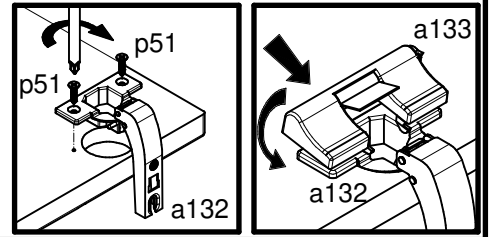
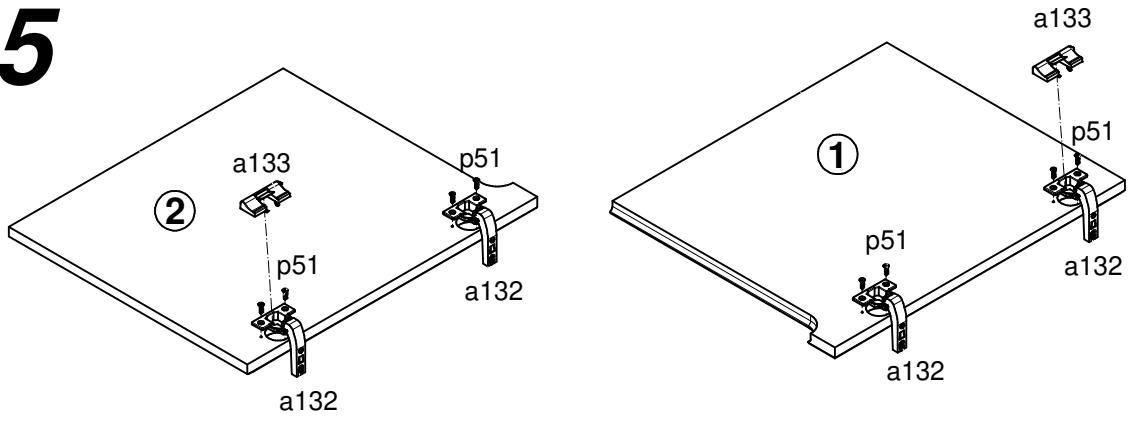
13



14



15



16

