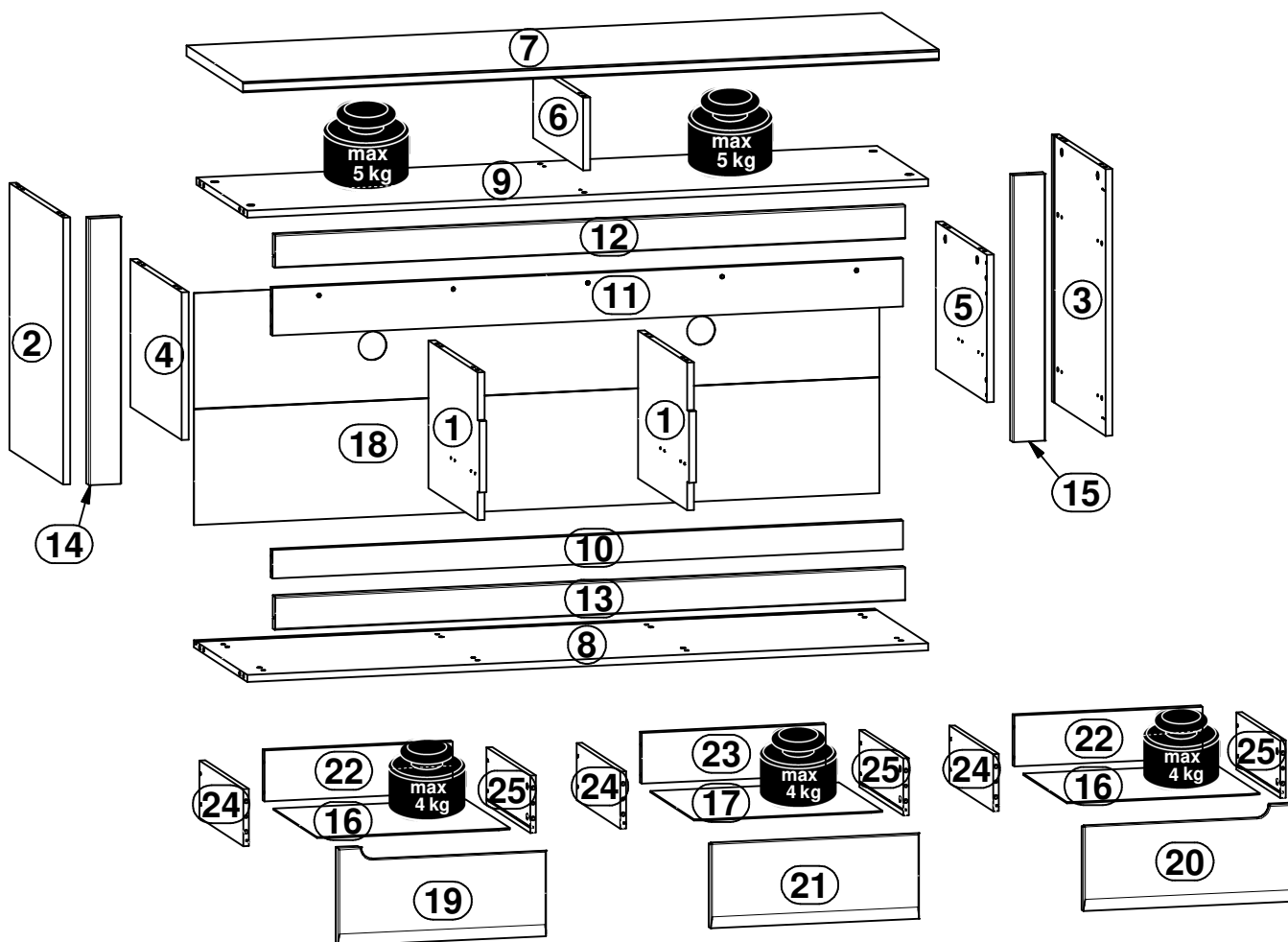
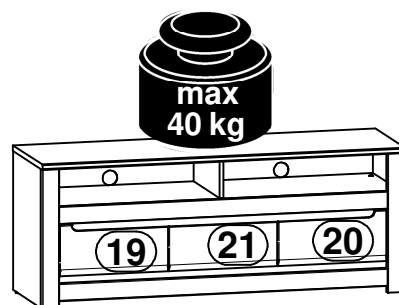
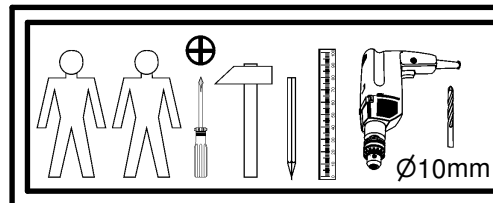
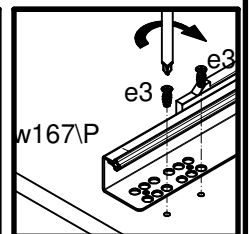
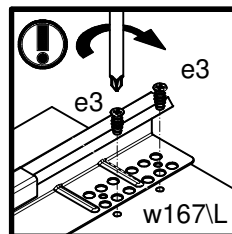
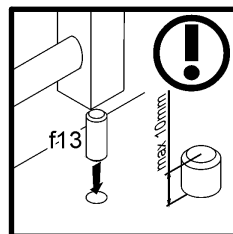
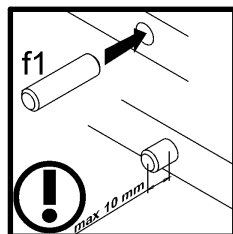
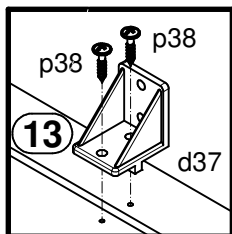
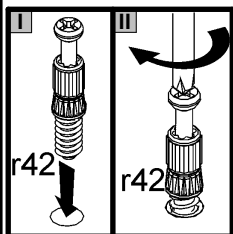
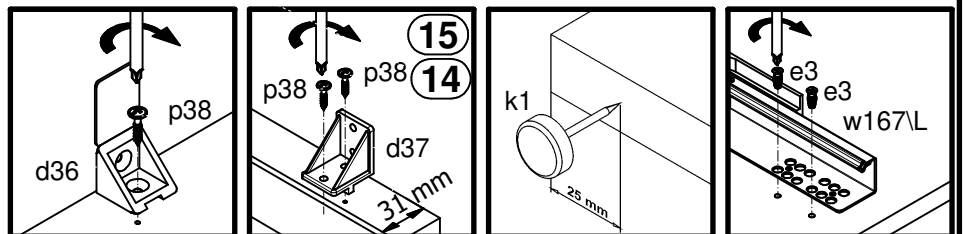
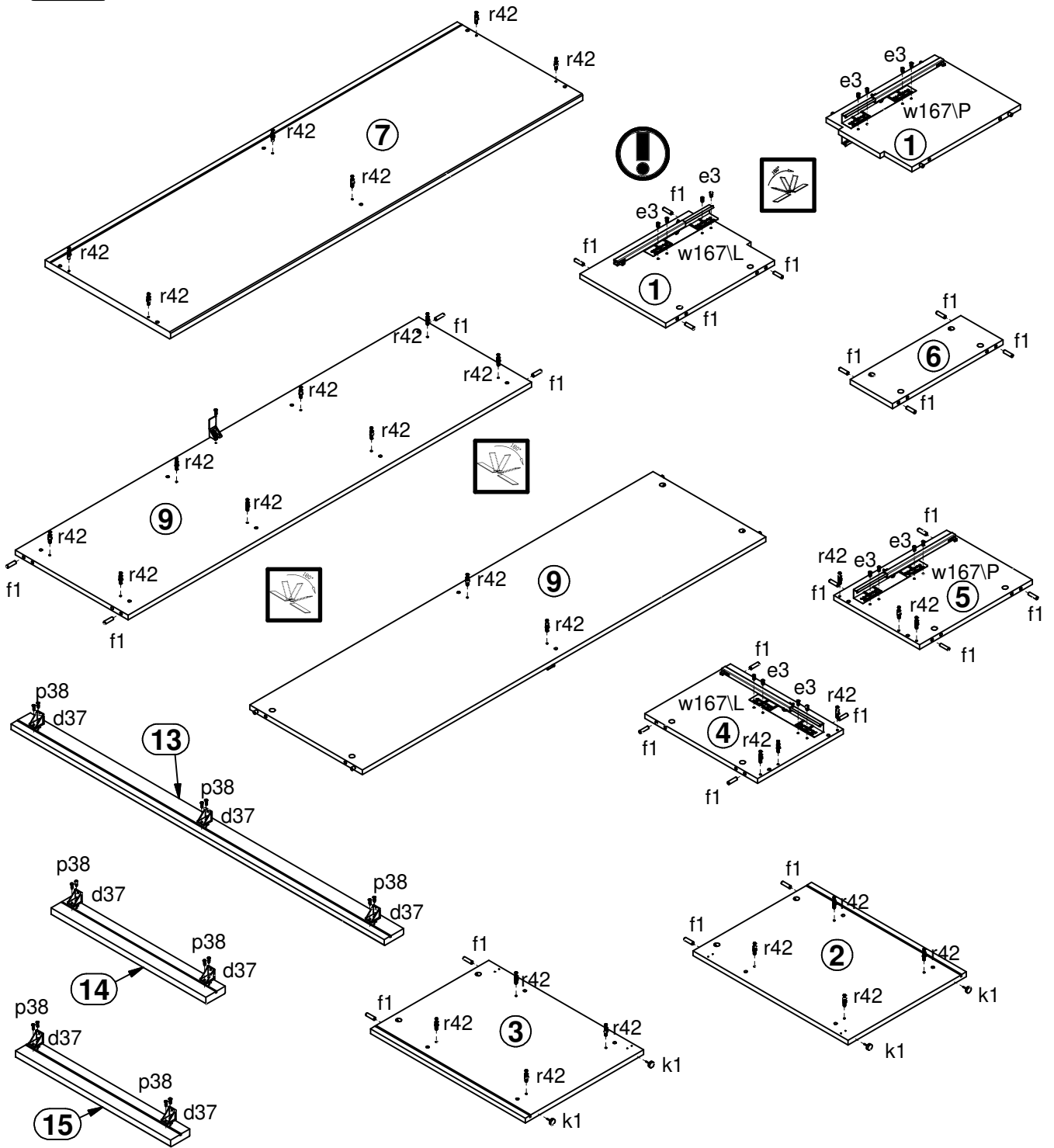


A	B	C	D	A	B	C	D
1	S404-1017	310	408	1/3	14	S404-5011	560 70 1/3
2	S404-1018	560	428	1/3	15	S404-5012	560 70 1/3
3	S404-1019	560	428	1/3	16	S404-9001	413 355 2/3
4	S404-1020	310	408	1/3	17	S404-9002	404 355 2/3
5	S404-1021	310	408	1/3	18	S404-9305	487 1469 2/3
6	S404-1022	153	400	1/3	19	S407-0017	446 205 3/3
7	S404-2005	1491	454	2/3	20	S407-0018	446 205 3/3
8	S404-3008	1459	428	2/3	21	S407-0019	446 180 3/3
9	S404-3009	1459	408	2/3	22	ZQ2-1563	403 107 1/3
10	S404-4006	1351	60	2/3	23	ZQ2-1564	394 107 1/3
11	S404-4007	1351	100	2/3	24	ZQ3-507	350 120 1/3
12	S404-5005	1350	70	2/3	25	ZQ3-508	350 120 1/3
13	S404-5006	1350	70	2/3			

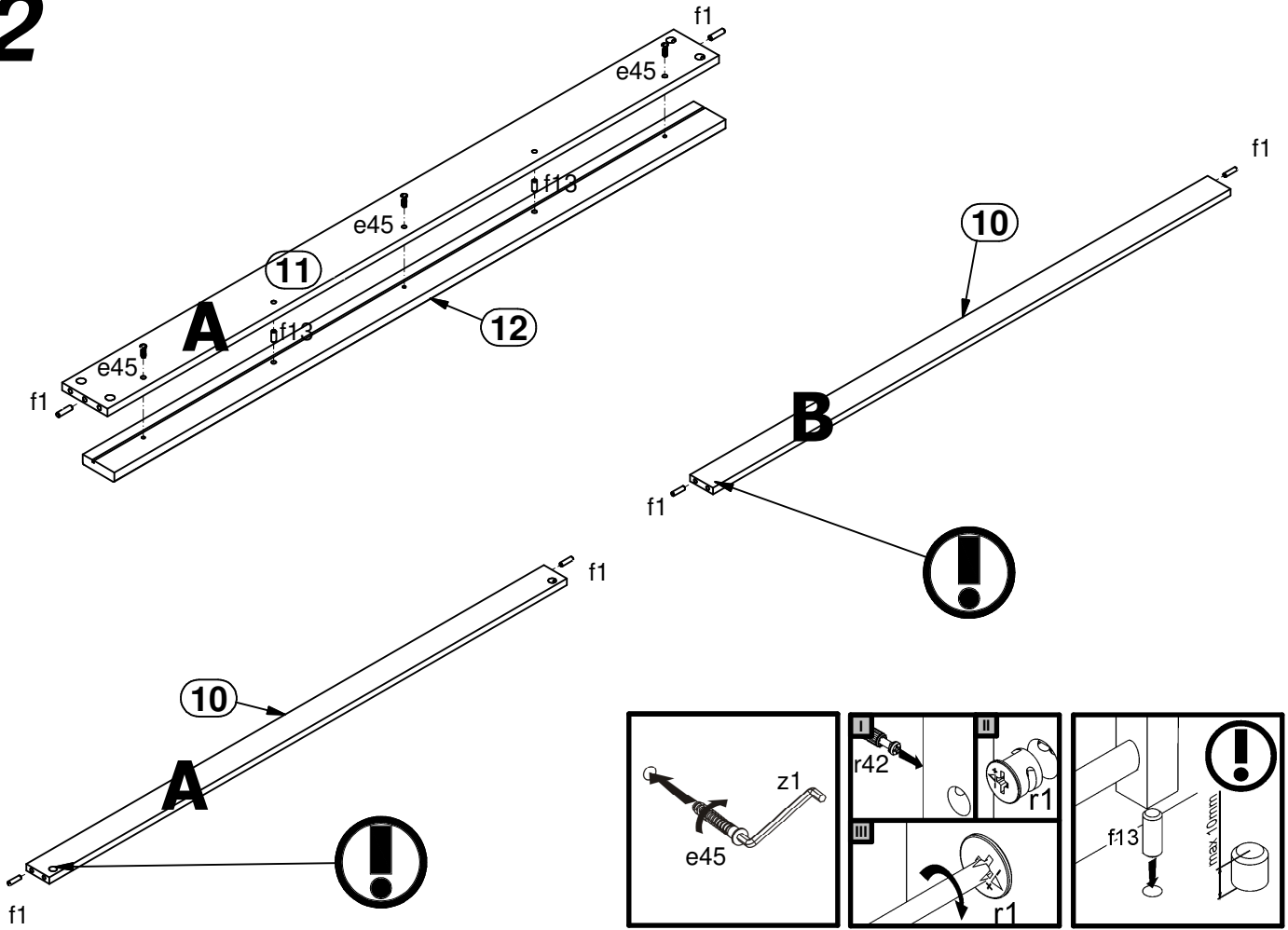


1x 	7x 	8x 	2x 	24x 	3x 	36x 	6x 	2x 
12x 	4x 	2x 	2x 	20x 	14x 	47x 	6x 	30x 
12x 	42x 	12x 	3x 	3x 	1x 	1x 	1x 	

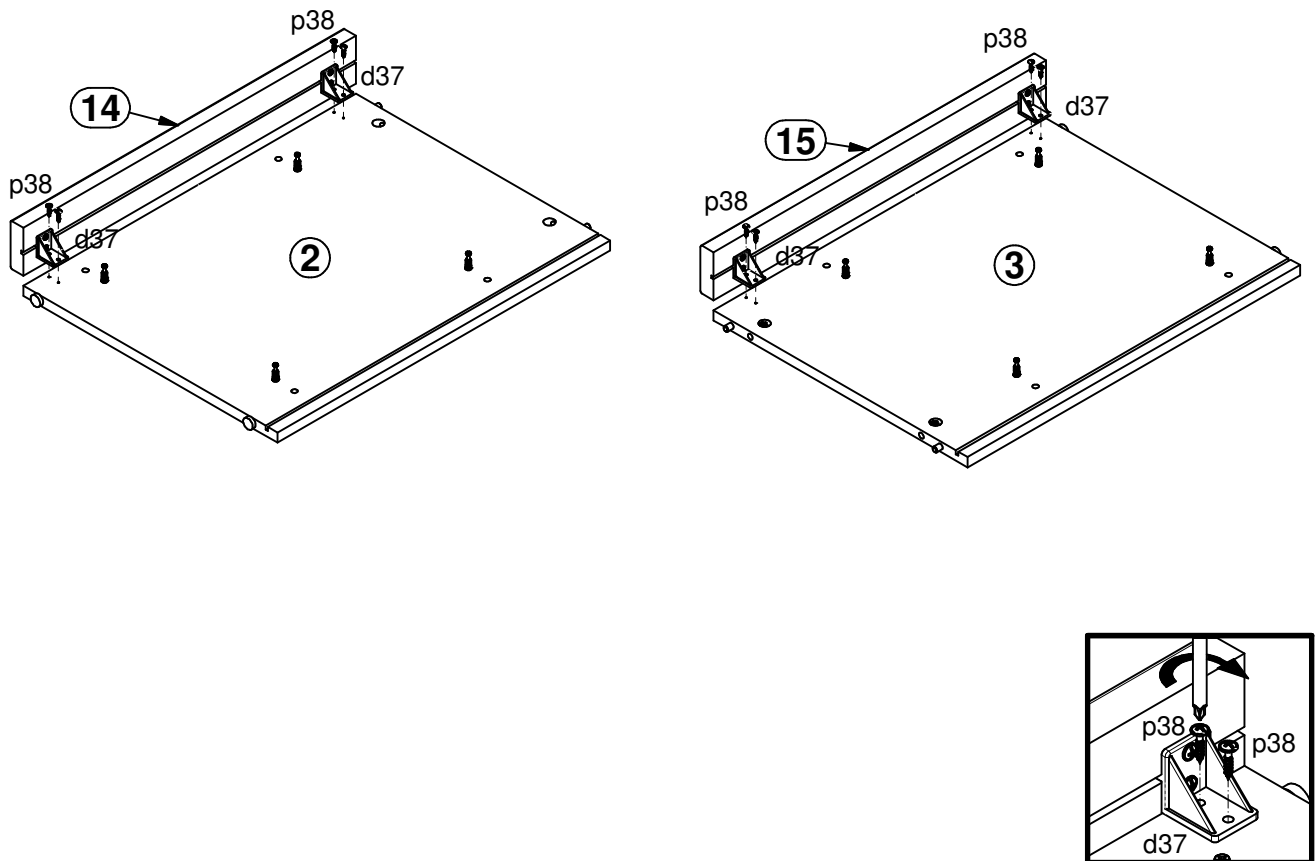
1 



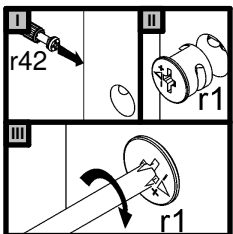
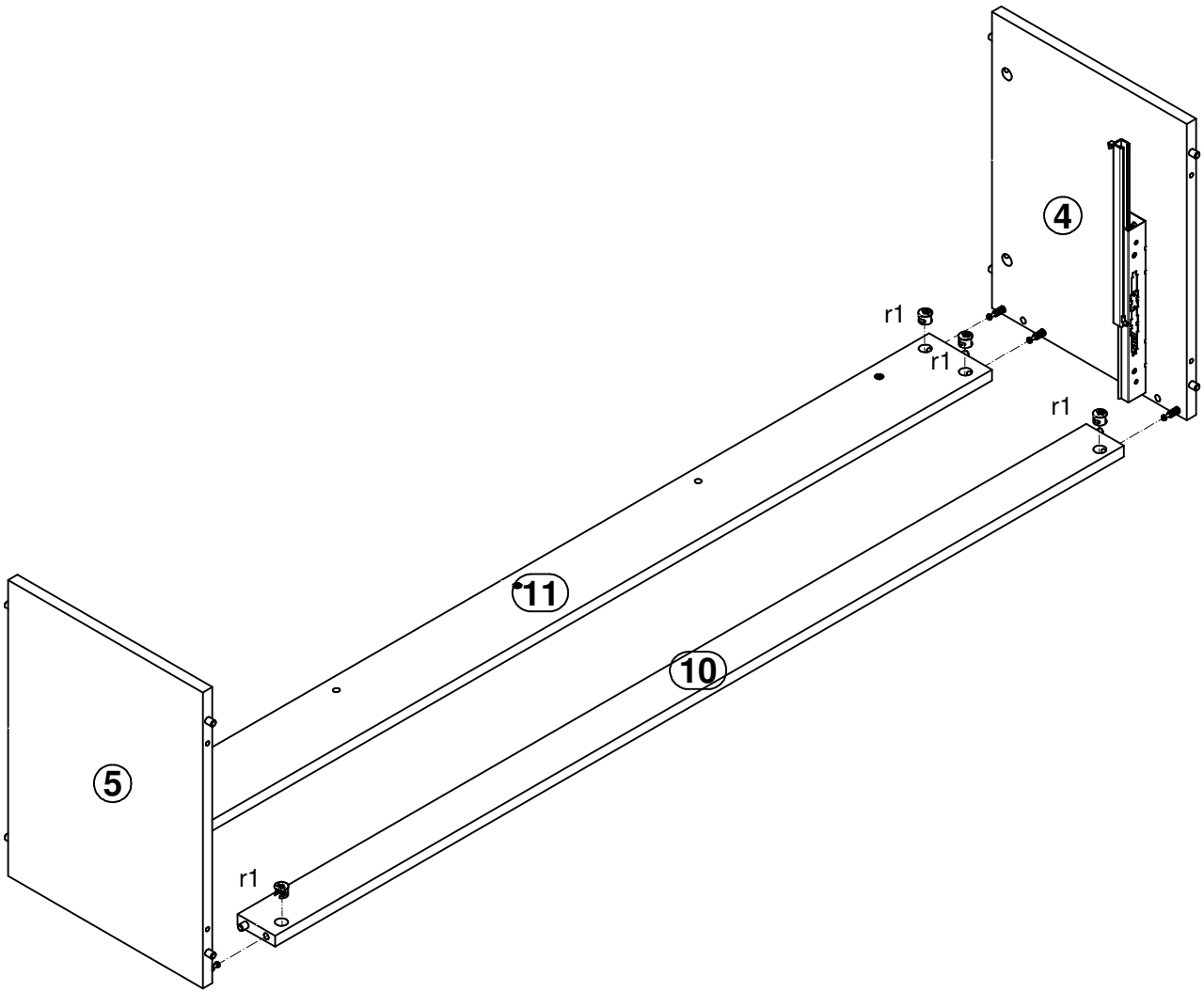
# 2



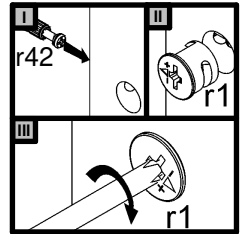
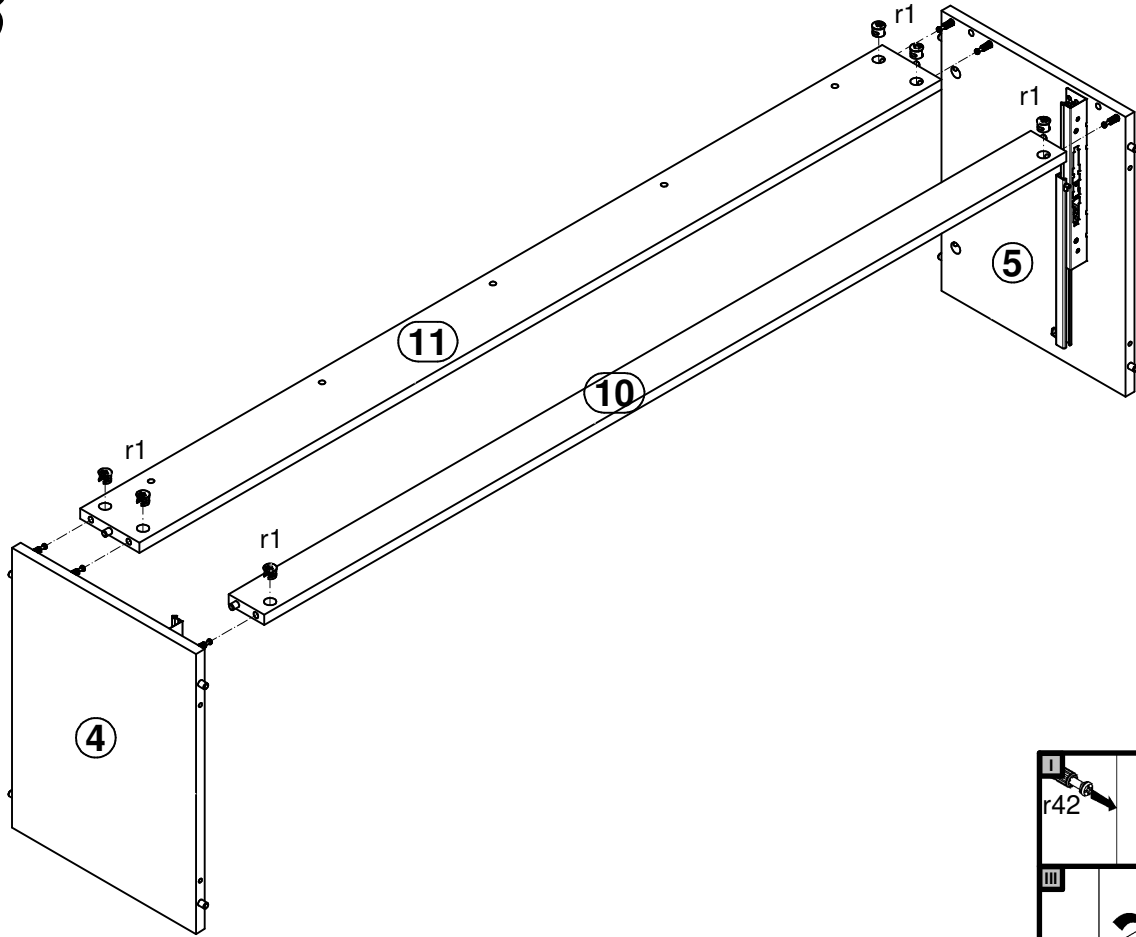
# 3



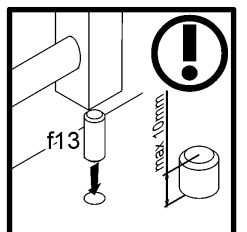
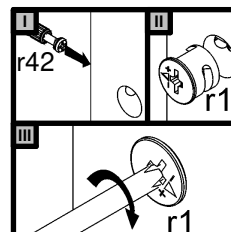
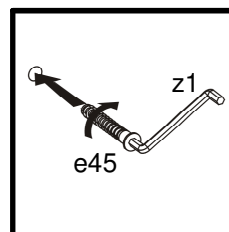
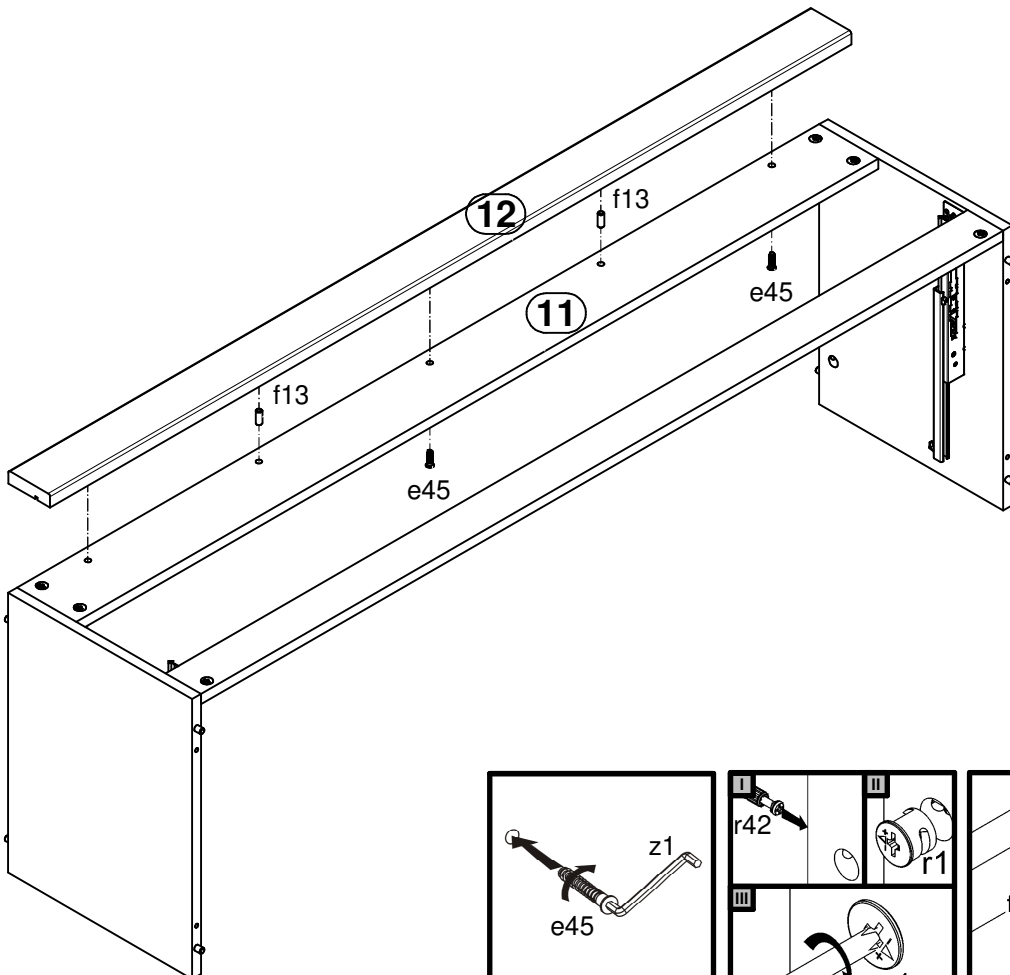
# 4A



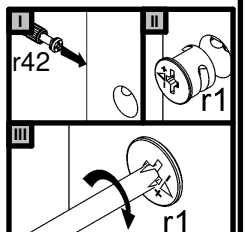
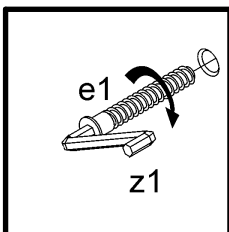
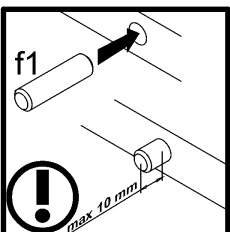
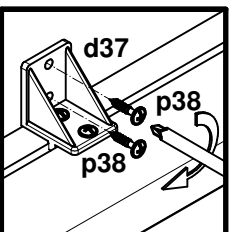
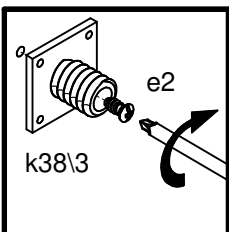
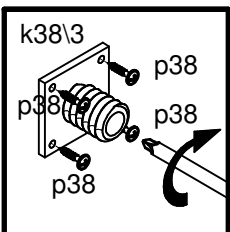
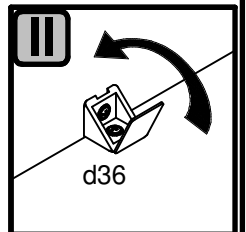
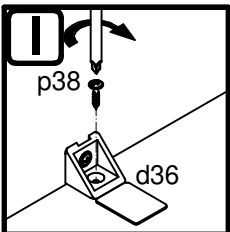
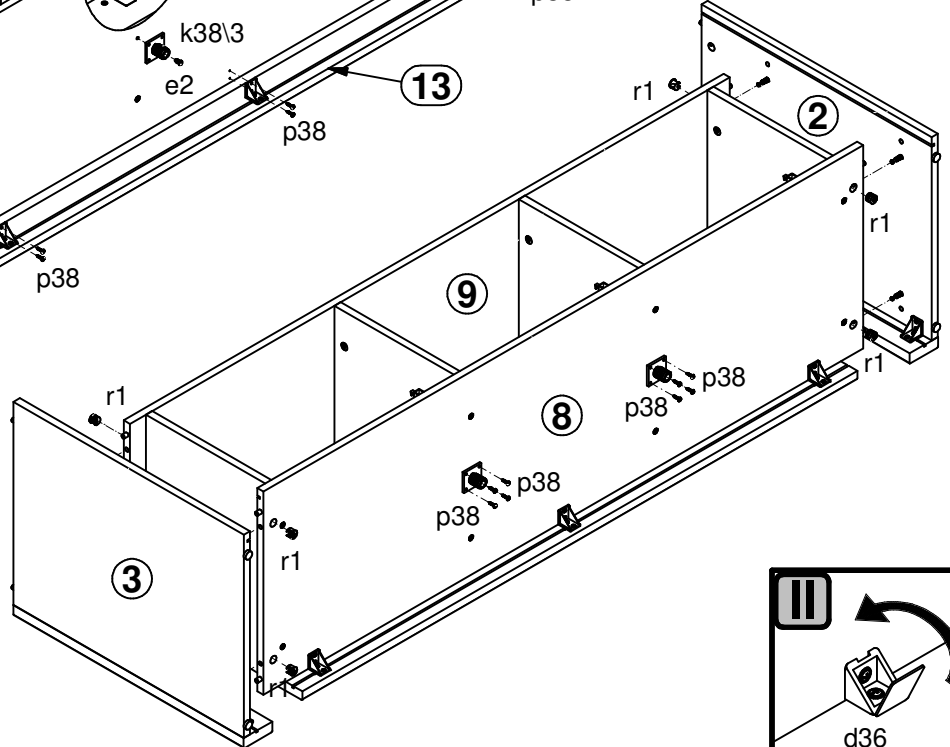
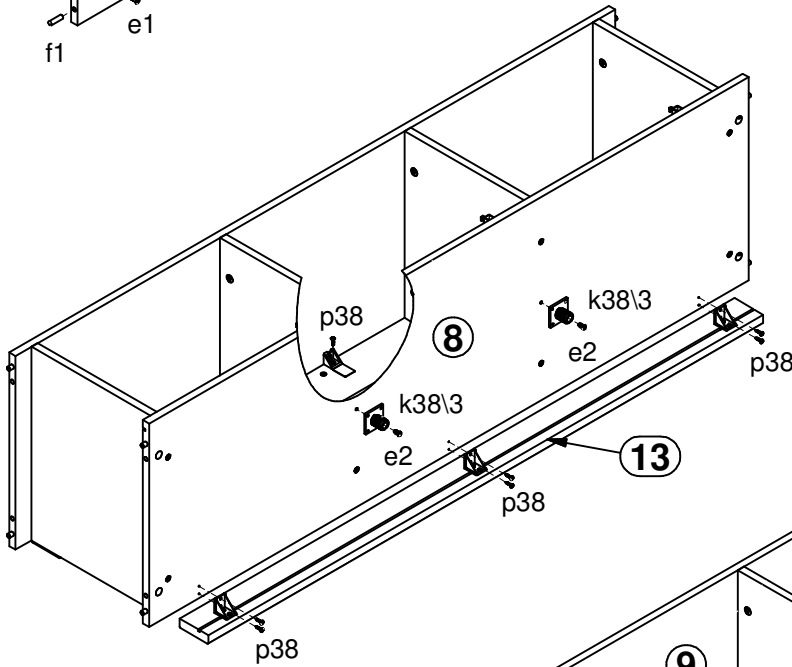
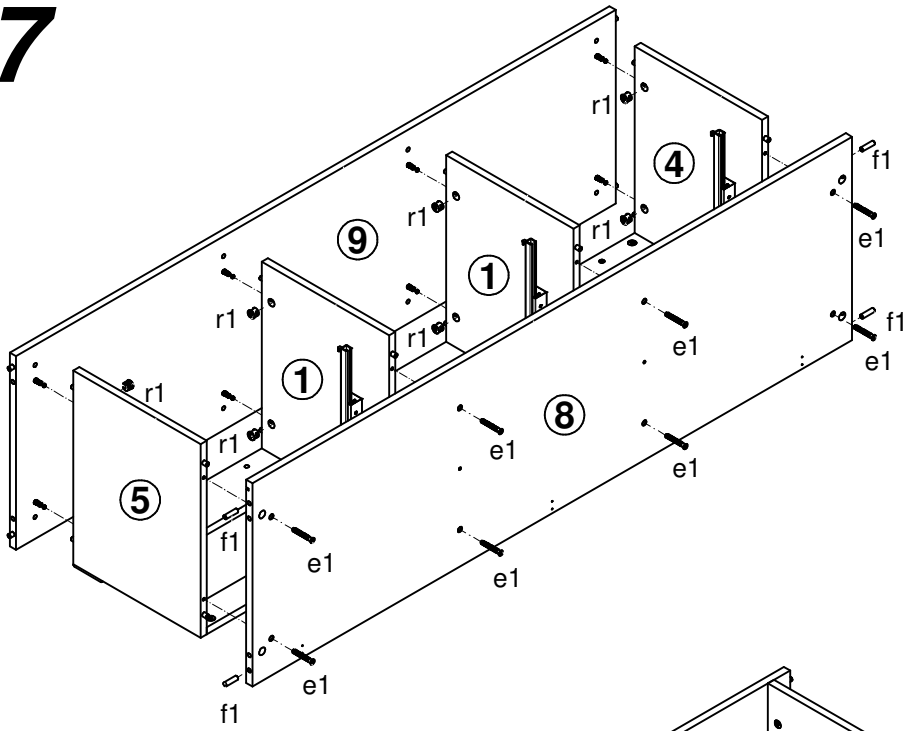
# 5B



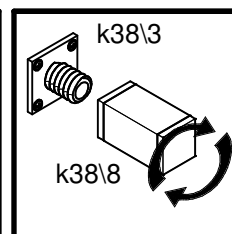
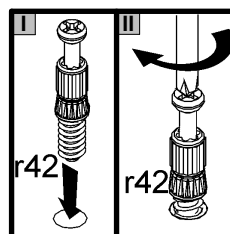
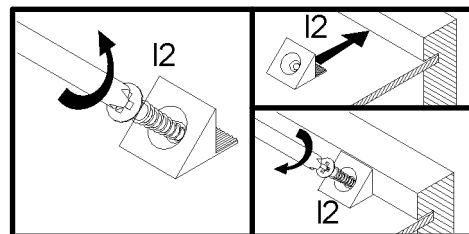
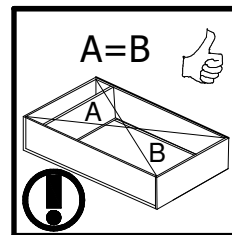
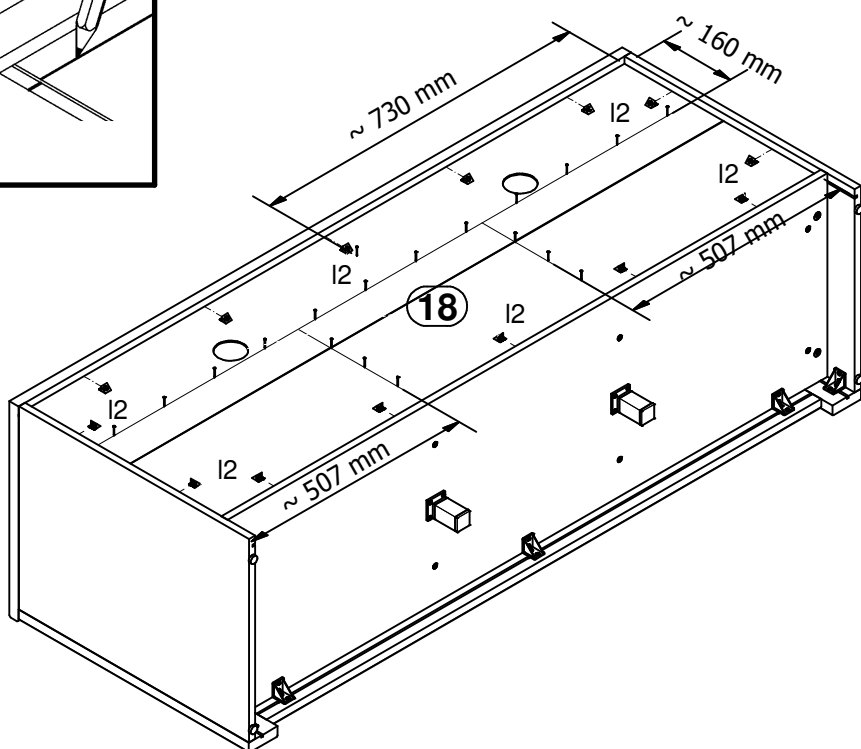
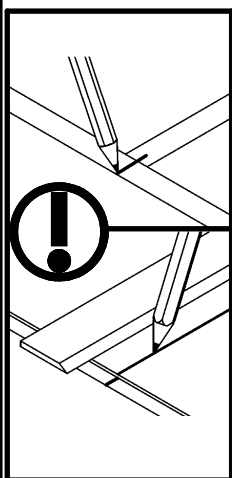
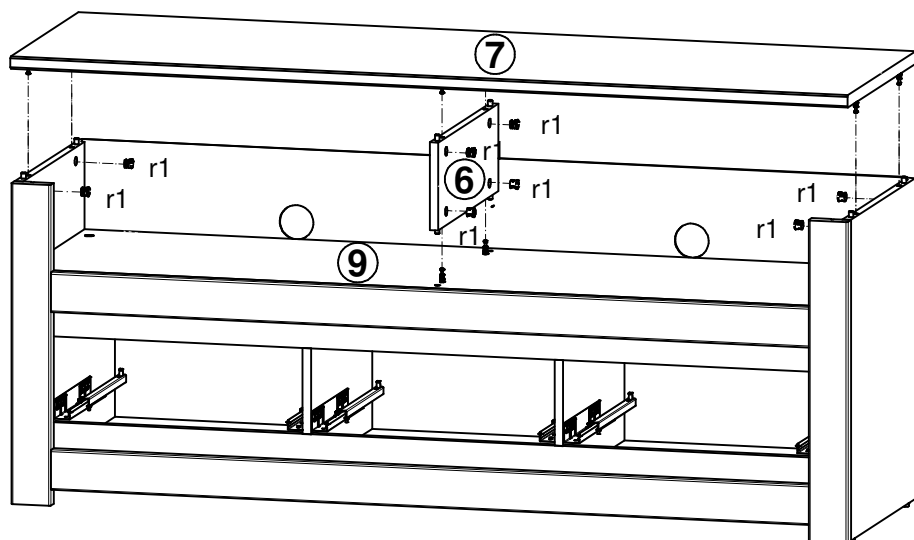
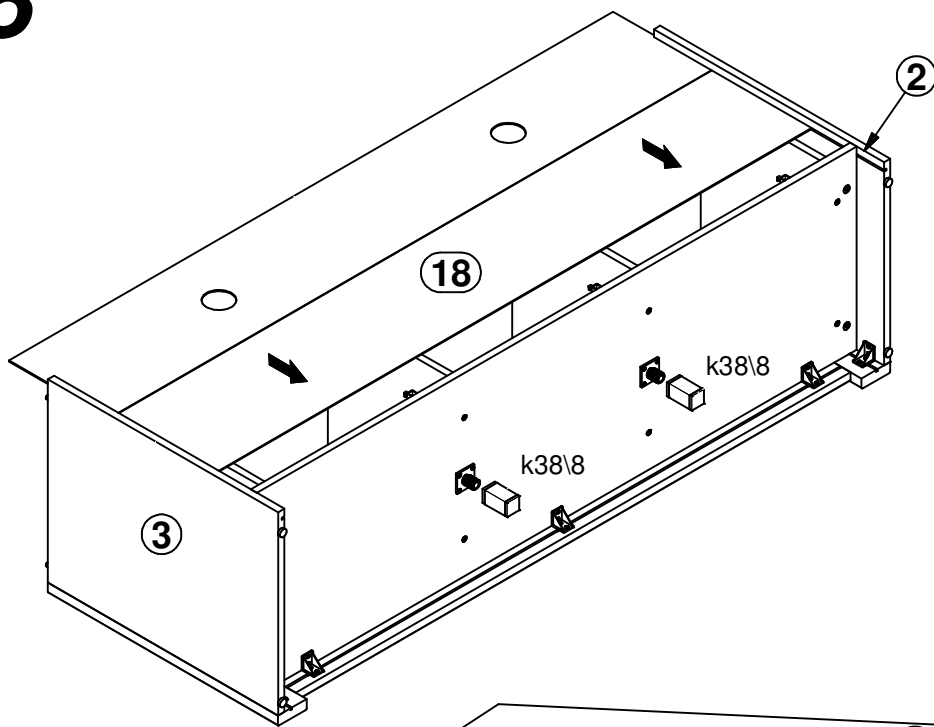
# 6B



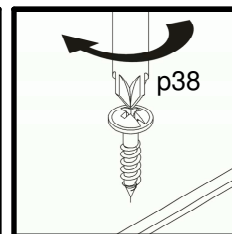
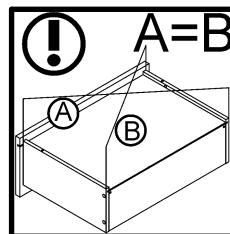
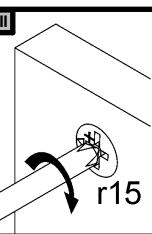
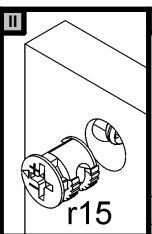
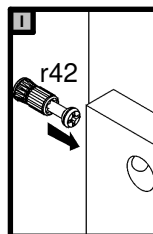
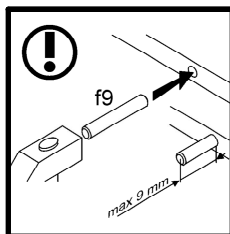
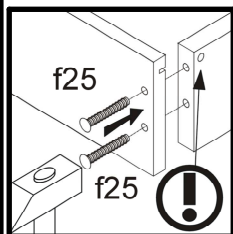
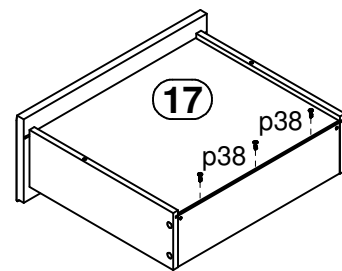
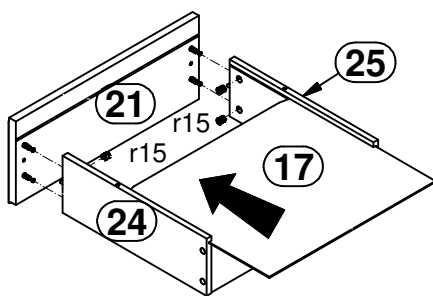
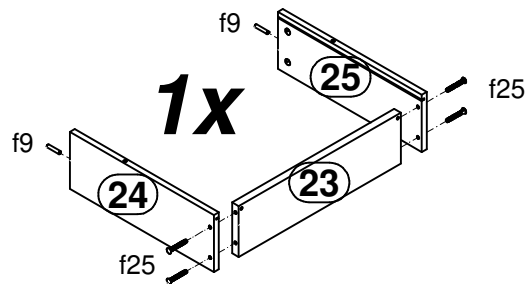
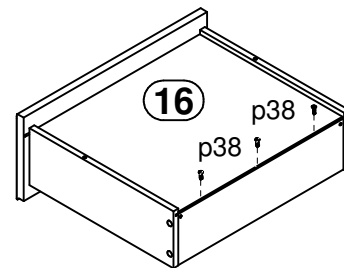
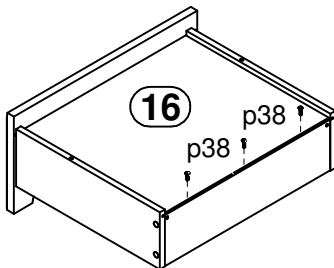
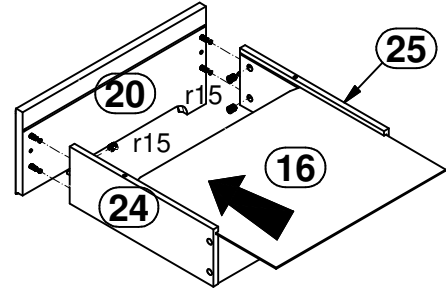
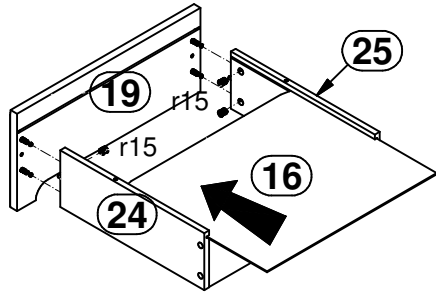
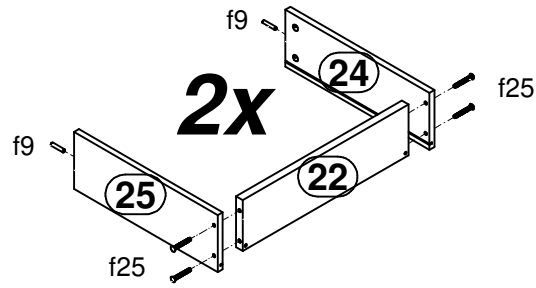
# 7



# 8



# 9





# 10

