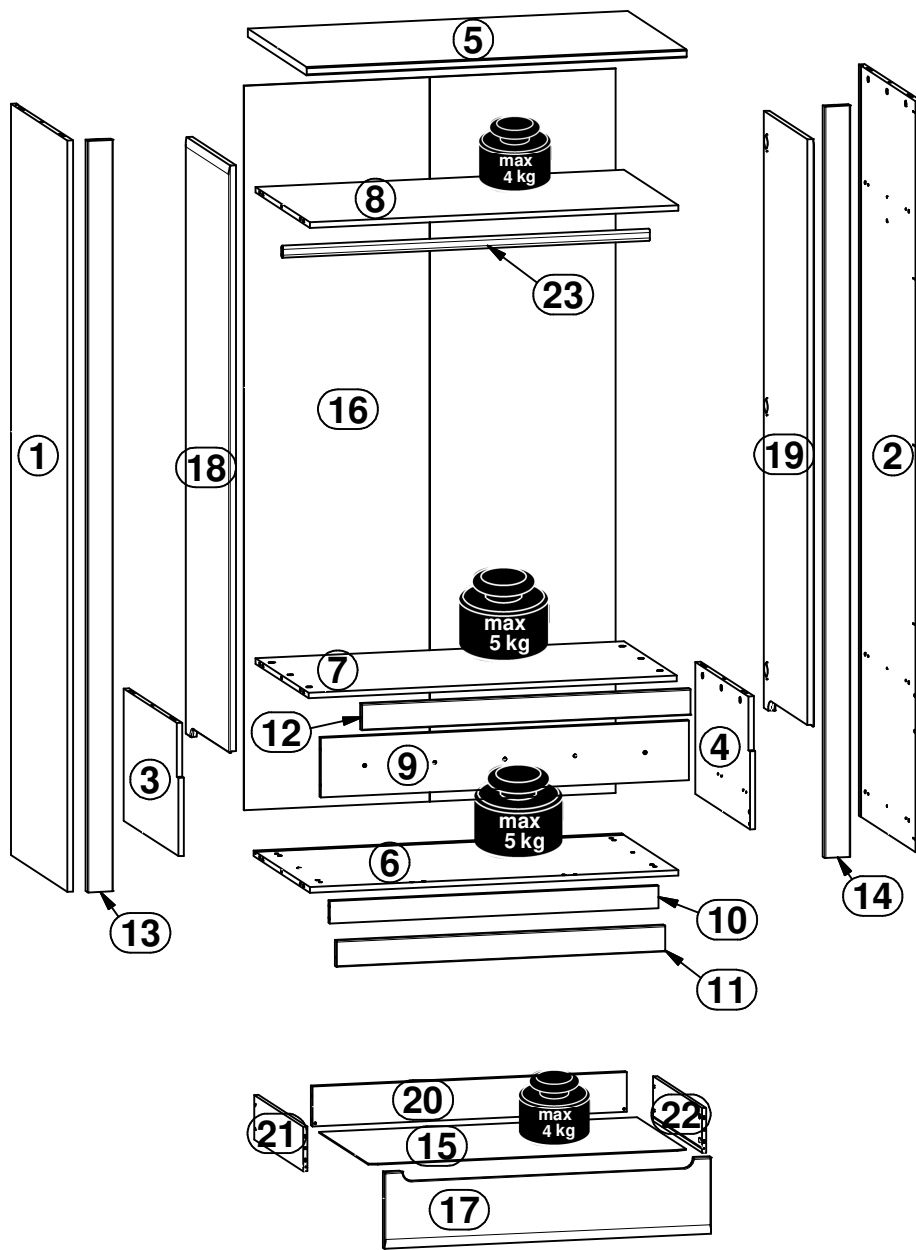
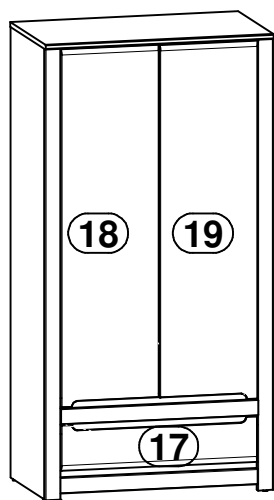
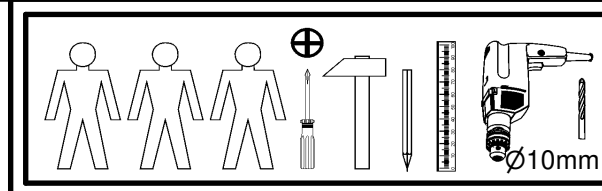
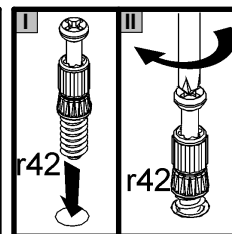
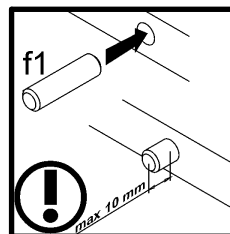
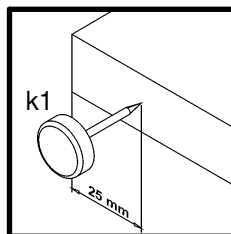
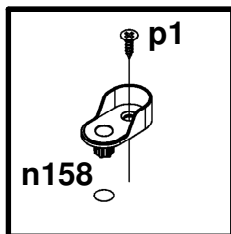
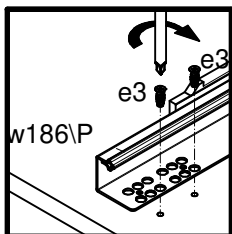
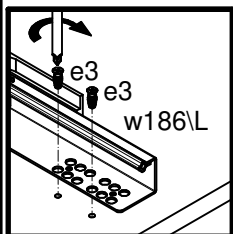
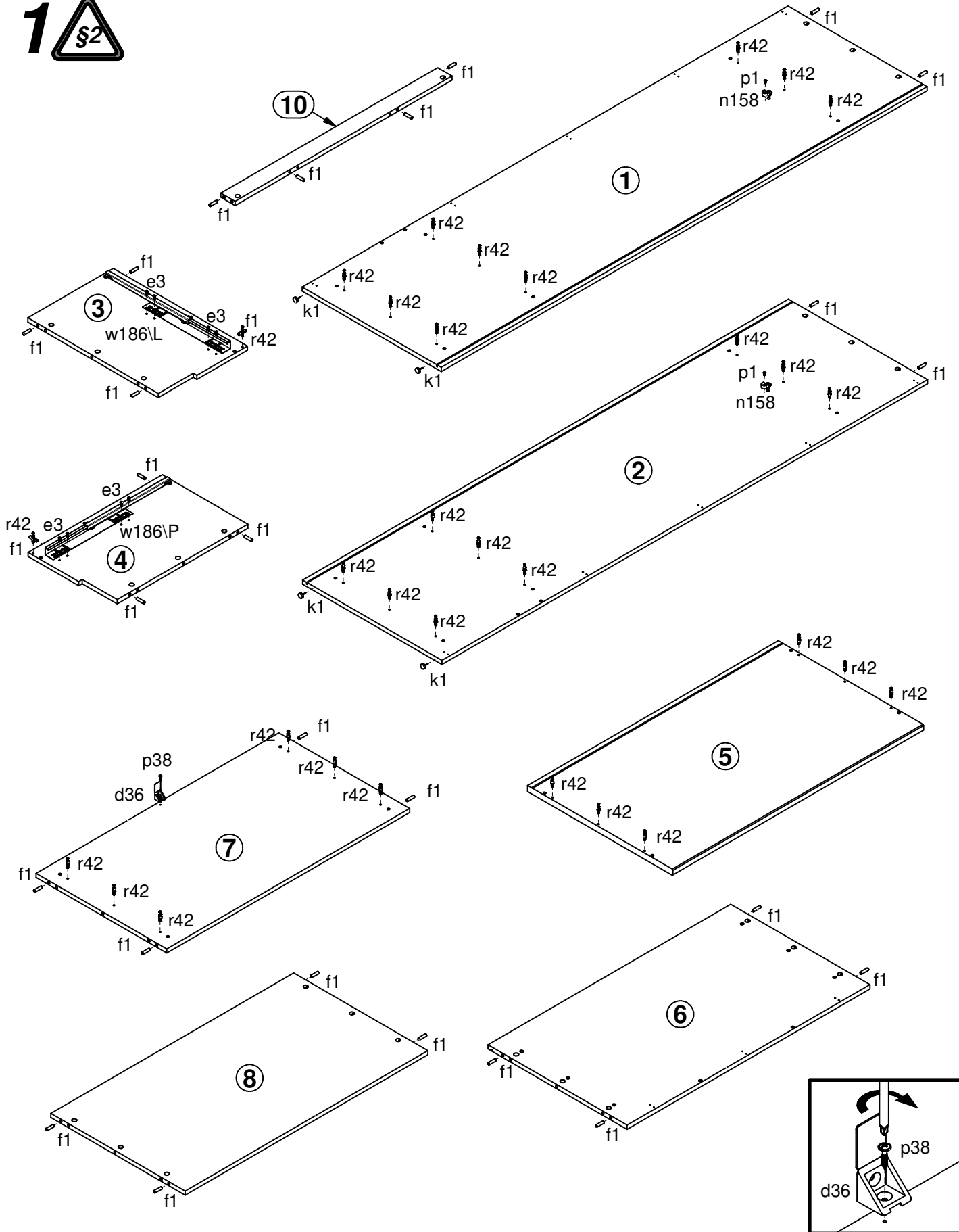


A	B	C	D	
1	S404-1032/A	2018	578	1/5
2	S404-1033/A	2018	578	1/5
3	S404-1034	355	558	2/5
4	S404-1035	355	558	2/5
5	S404-2009	1041	604	2/5
6	S404-3016	1009	578	3/5
7	S404-3017	1009	543	2/5
8	S404-3018	1009	558	3/5
9	S404-4013	1009	160	2/5
10	S404-4014	901	60	2/5
11	S404-5003	900	70	2/5
12	S404-5004	900	70	2/5
13	S404-5024/A	2018	70	1/5
14	S404-5025/A	2018	70	1/5
15	S404-9006	871	505	2/5
16	S404-9308	1946	1019	1/5
17	S407-0007	895	205	5/5
18	S407-0008	1603	446	4/5
19	S407-0009	1603	446	4/5
20	ZQ2-1553	861	107	2/5
21	ZQ3-529	500	120	2/5
22	ZQ3-530	500	120	2/5
23	dr-1005	1005	30	2/5

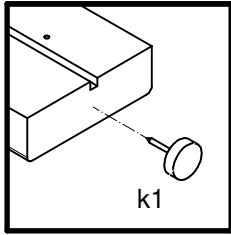
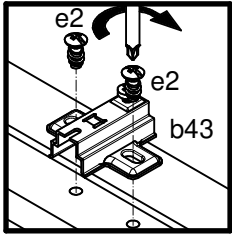
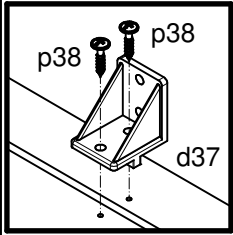
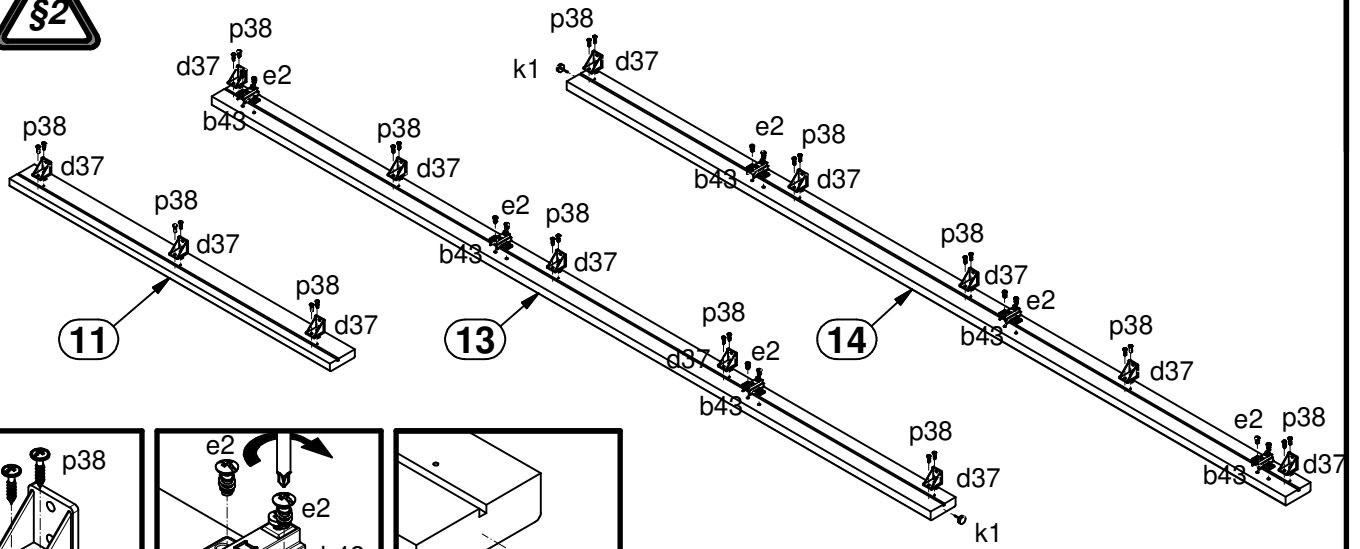


6x a132	2x a133	6x b43	1x d36	13x d37	8x e1 Ø7x50 mm	12x e2 Ø6,3x13 mm	8x e3 Ø6x13 mm	3x e45 Ø7x24 mm
32x f1 Ø8x30 mm	2x f9 Ø6x30 mm	2x f13 Ø8x20 mm	4x f25 Ø6,5x40 mm	6x k1	20x l1 1,4x20 mm	22x l2	2x n158	2x p1 Ø3,5x13 mm
1x p25 Ø3,5x16 mm	1x p35 Ø3,5x10 mm	60x p38 Ø3,5x16 mm	12x p51 Ø3,5x15 mm	2x p55 Ø2,9x16 mm	32x r1 Ø15x12 mm #16	4x r15 Ø12x10,5 mm #12	36x r42 20/11	18x s2 Ø16
1x t34 500 mm	1x w186L L=500 mm	1x w186P L=500 mm	1x z1 4 mm			1x n26/1	1x p38 Ø3,5x16 mm	

1 



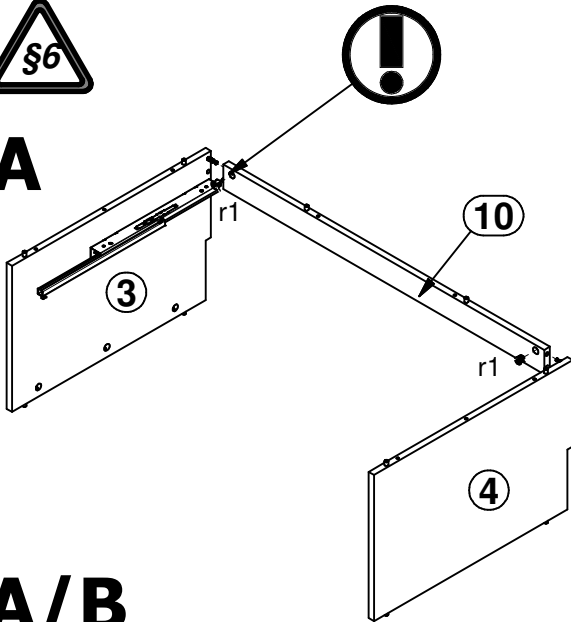
2 



3 

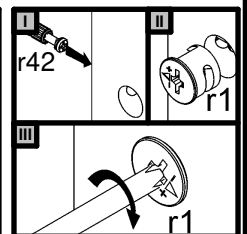
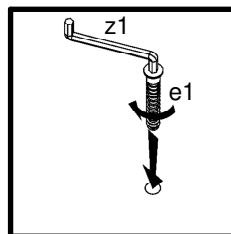
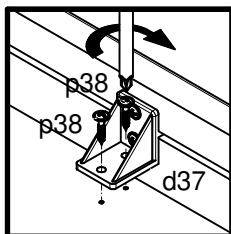
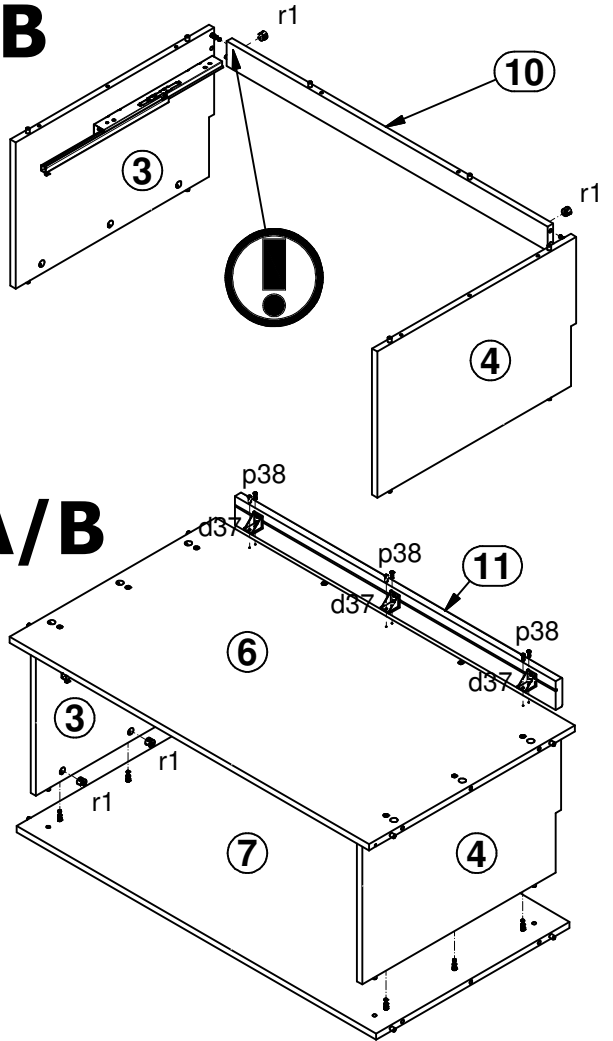
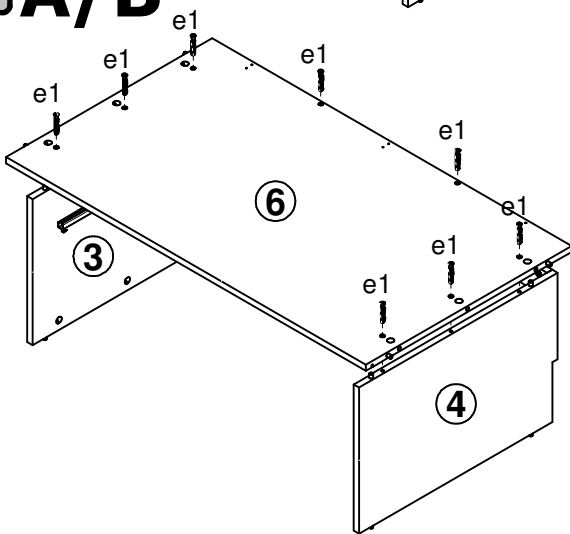
 B

 A

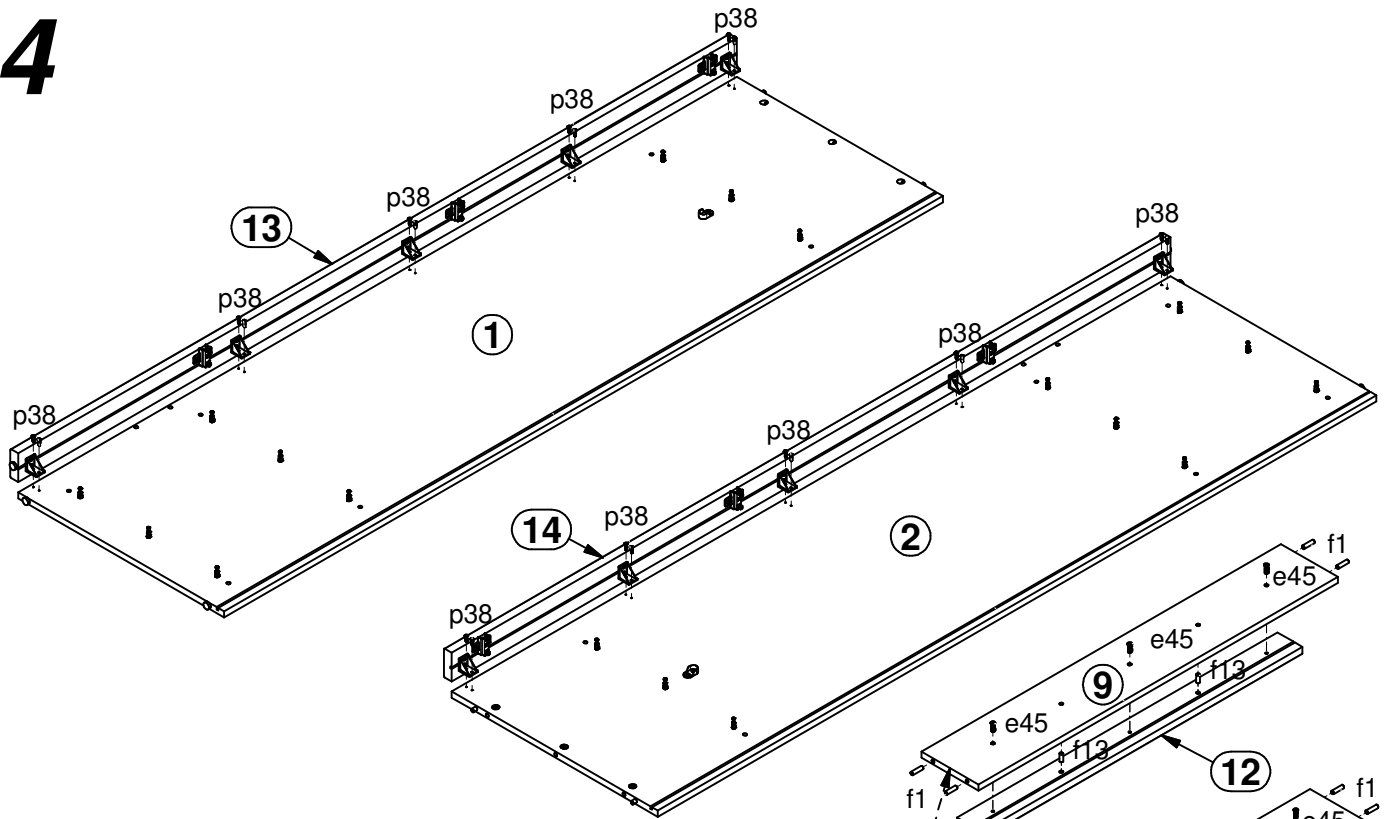


 A/B

 A/B

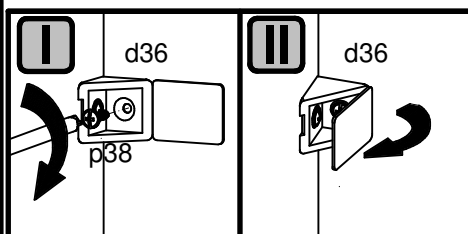
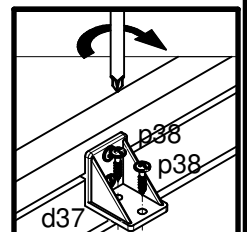
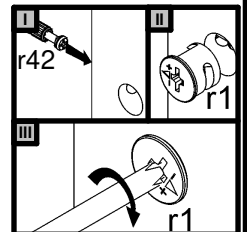
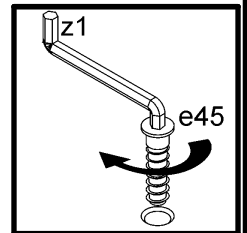
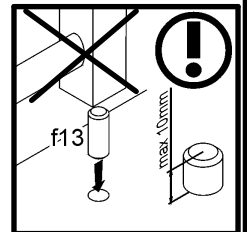
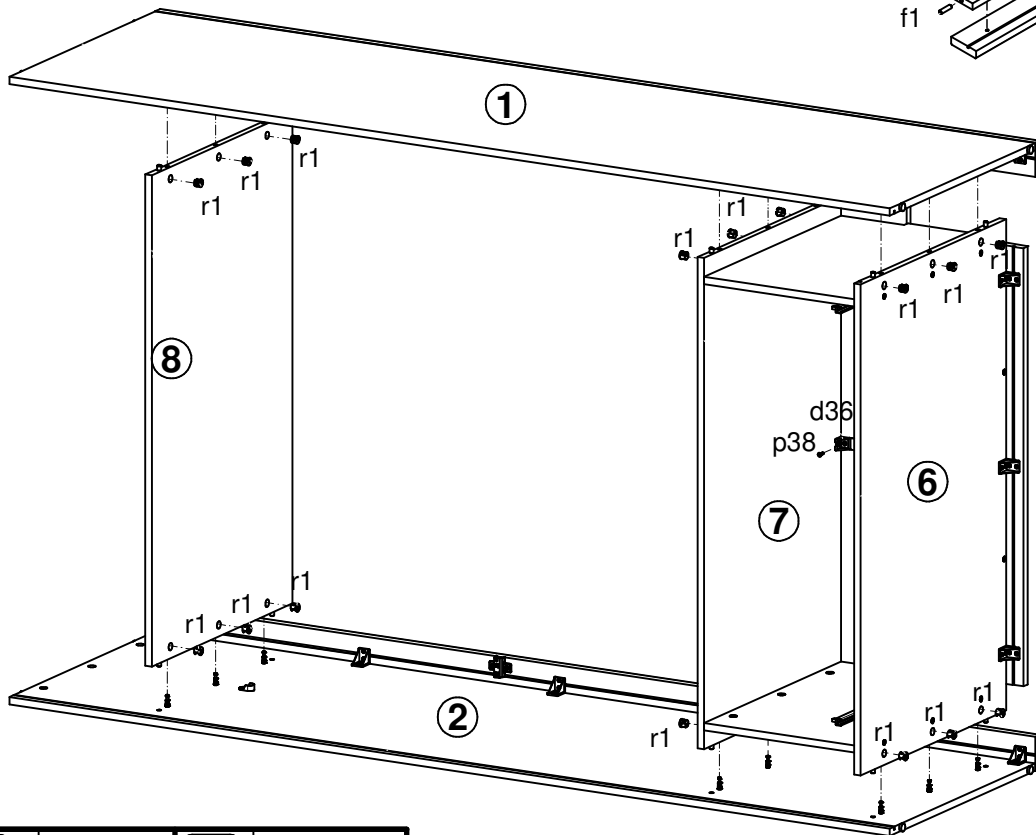


4

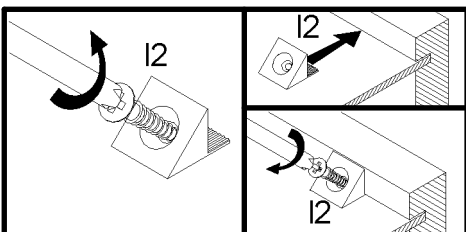
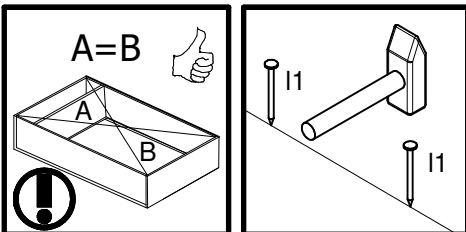
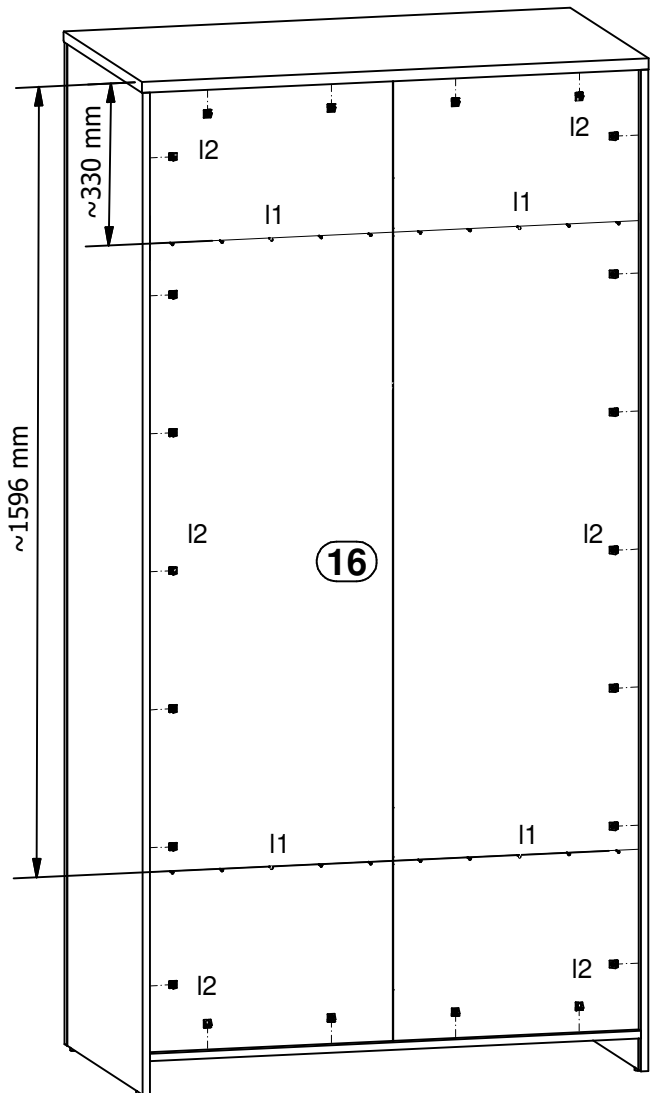
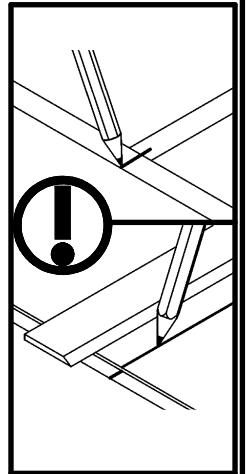
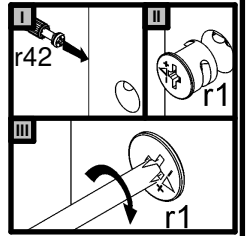
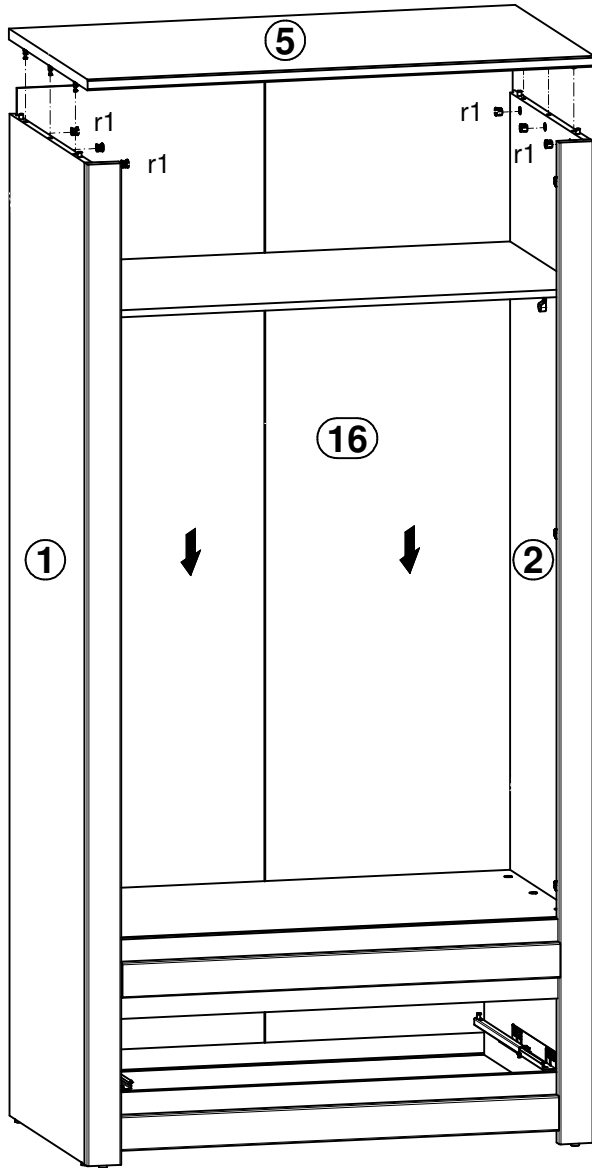


COLOR A

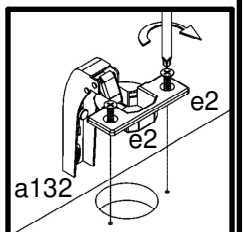
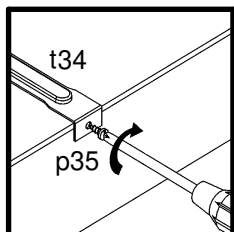
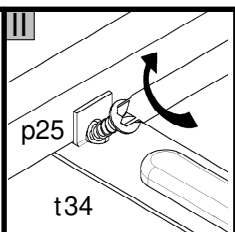
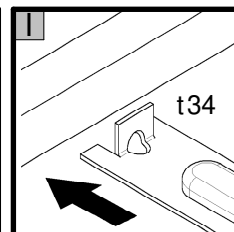
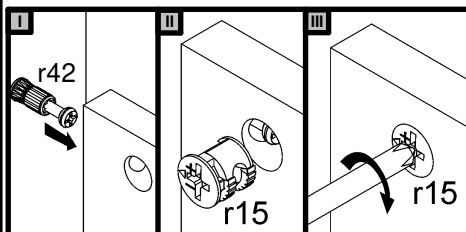
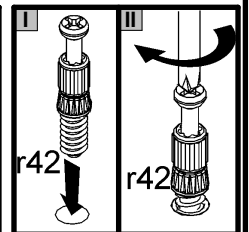
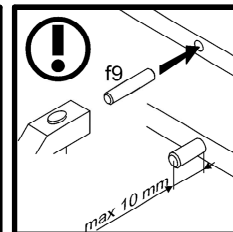
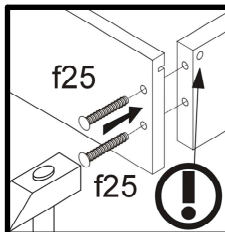
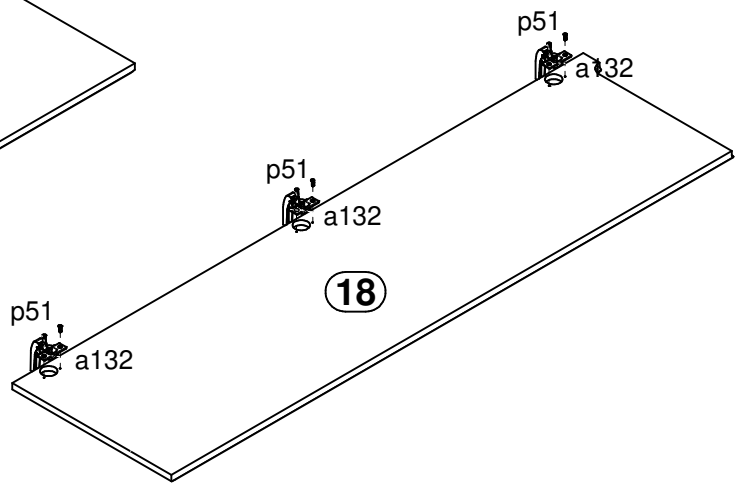
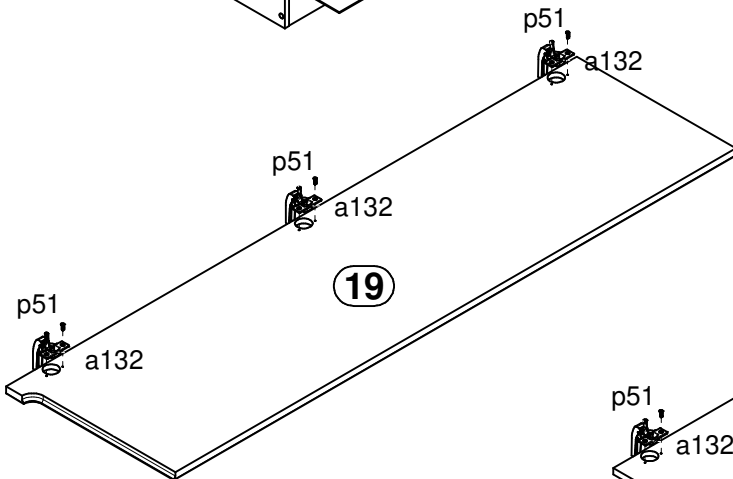
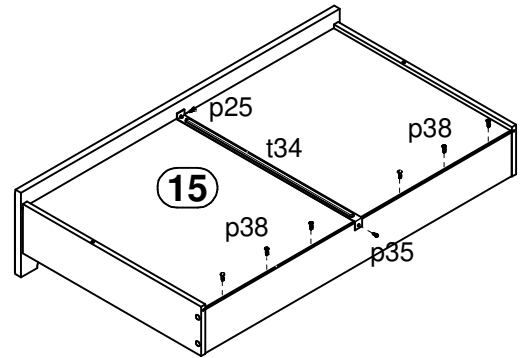
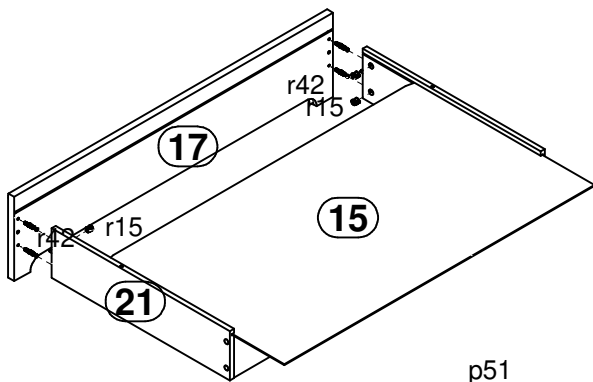
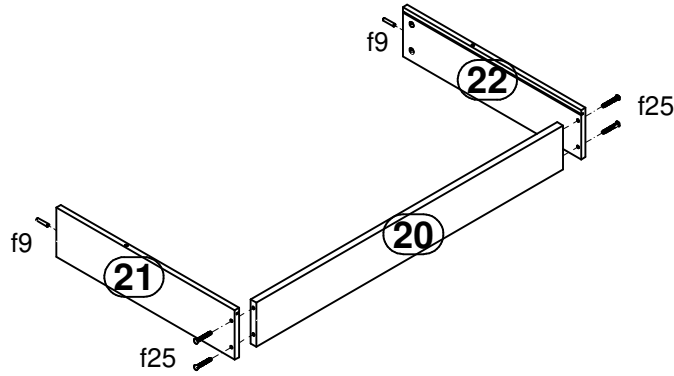
COLOR B



5



6



7

